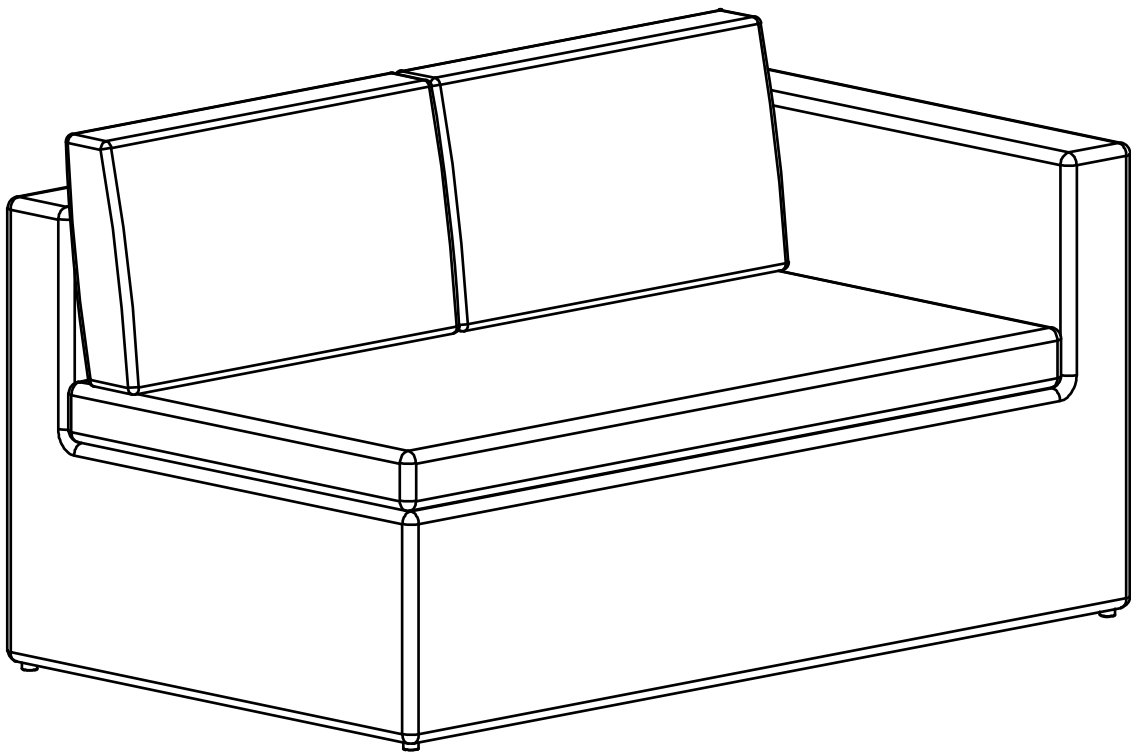


Wow Corner Sofa - Corner

Assembly Instructions - Please keep for future reference

309851



Dimensions

Width - 131cm

Depth - 77cm

Height - 63cm

Important – Please read these instructions fully before starting assembly

If you need help or have damaged or missing parts, call the

Customer Helpline: Homebase = 0345 0778888

Address: 489-499 Avebury Boulevard Saxon Gate West, Central Milton Keynes Bucks, MK9, 2NW



Safety and Care Advice

Important – Please read these instructions fully before starting assembly

- Check you have all the components and tools listed on pages 2.
- Remove all fittings from the plastic bags and separate them into their groups.
- Keep children and animals away from the work area, small parts could choke if swallowed.
- Make sure you have enough space to layout the parts before starting.

- Do not stand or put weight on the product during assembly, this could cause damage.
- Assemble the item as close to its final position (in the same room) as possible.
- Assemble on a soft level surface to avoid damaging the bench or your floor.
- Parts of the assembly will be easier with 2 people.



- We do not recommend the use of power drill/drivers for inserting screws, as this could damage the unit. Only use hand screwdrivers.
- Dispose of all packaging carefully and responsibly.
- Maximum safe seated weight: 200kgs.

Care and maintenance

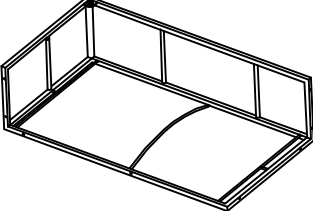
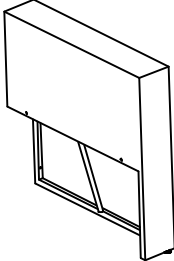
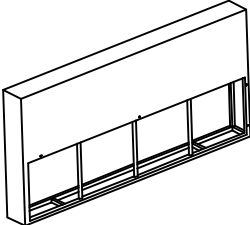
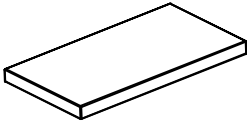
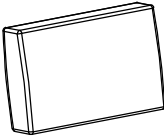
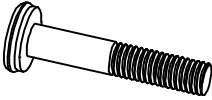
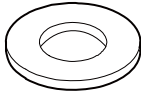

- Only clean using a damp cloth and mild detergent, do not use bleach or abrasive cleaners.
- From time to time check that there are no loose screws on this chair.
- This product should not be discarded with household waste. Take to your local authority waste disposal centre.
- Make sure each screw matches the corresponding figure to ensure correct assembly.
- Do not fully tighten all screws until assembly is complete.

Components - Parts & Fittings

If you have damaged or missing components, call the **Customer Helpine: Homebase = 0345 0778888**

Please check you have all the parts & fittings listed below

Note: The quantities below are the correct amount to complete the assembly. In some cases more fittings may be supplied than are required.

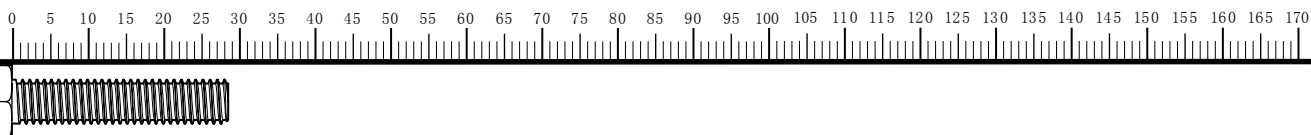
<p>1</p>  <p>Seat x 1</p>	<p>2</p>  <p>Armrest x 1</p>	<p>3</p>  <p>Backrest x 1</p>
<p>4</p>  <p>Cushion x 1</p>	<p>5</p>  <p>Cushion x 2</p>	<p>A</p>  <p>Screw x 11</p>
<p>B</p>  <p>Washer x 11</p>	<p>C</p>  <p>Screw cap x 11</p>	

Tools provided



D Hexkey x 1

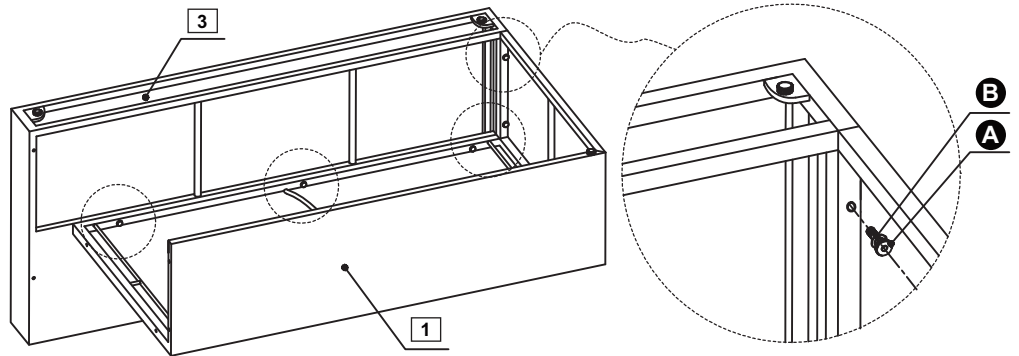
Ruler - Use this ruler to help correctly identify the screws



Assembly Instructions

Step 1

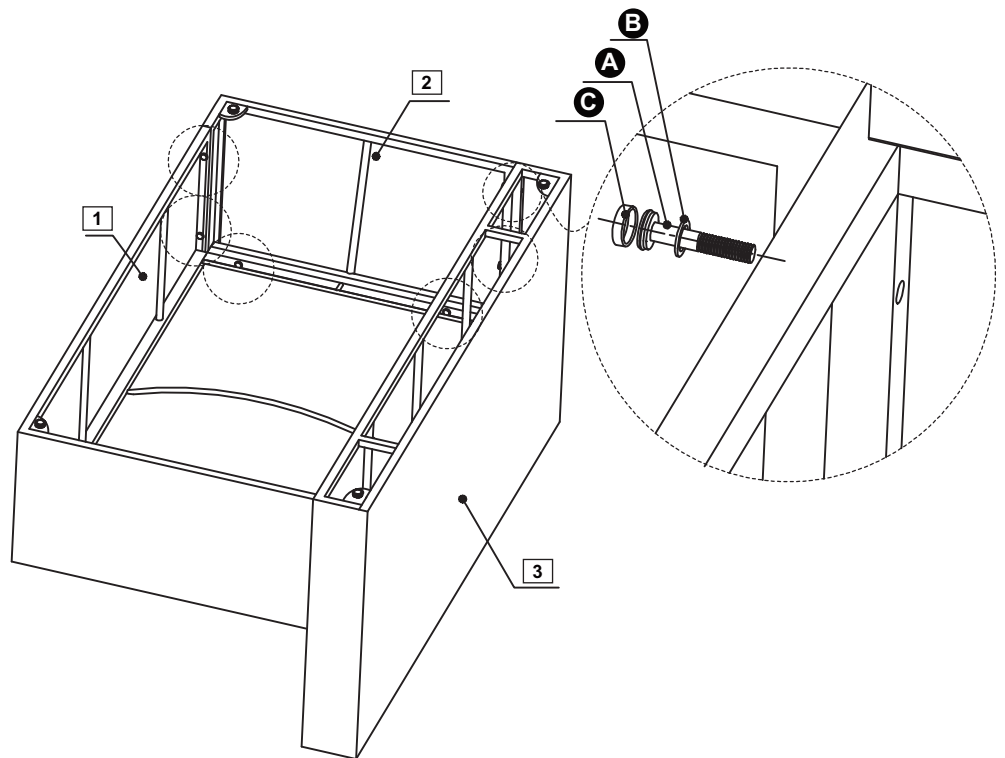
Use screws **A** and washers **B** to fix the backrest **3** to the seat **1**.



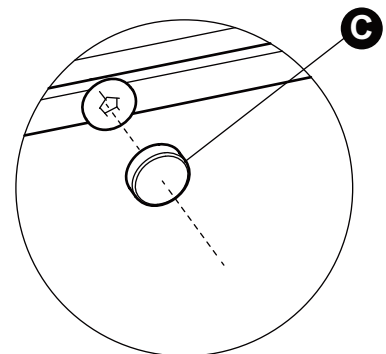
Important:
Do not fully tighten all screws until assembly is complete.

Step 2

Use screws **A** and washers **B** to fix the armrest **2** to the seat **1** and backrest **3**.



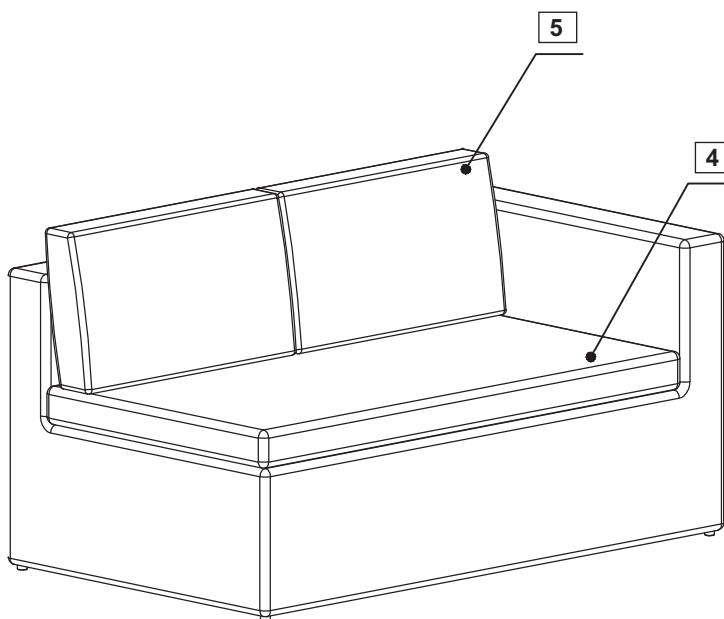
Tighten all the screws and cover all the screws **A** with cap **C**.



Assembly Instructions

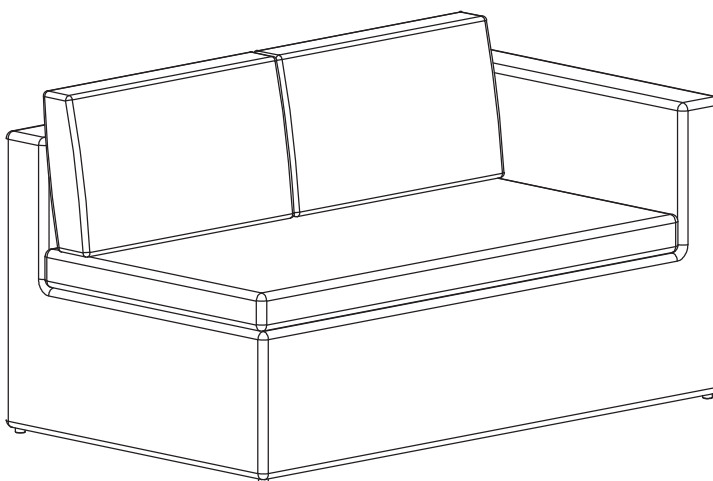
Step 3

Put the seat cushion **4** and **5** onto the chair.



Step 4

Assembly is complete



If you need help or have damaged or missing parts, call the

Customer Helpline: Homebase = 0345 0778888

Address: 489-499 Avebury Boulevard Saxon Gate West, Central Milton Keynes Bucks, MK9, 2NW