

物料号：

材料：100克铜版纸

颜色：单色

尺寸：A5

页数：32

装订方式：骑马钉

备注：说明书为A5尺寸，注意

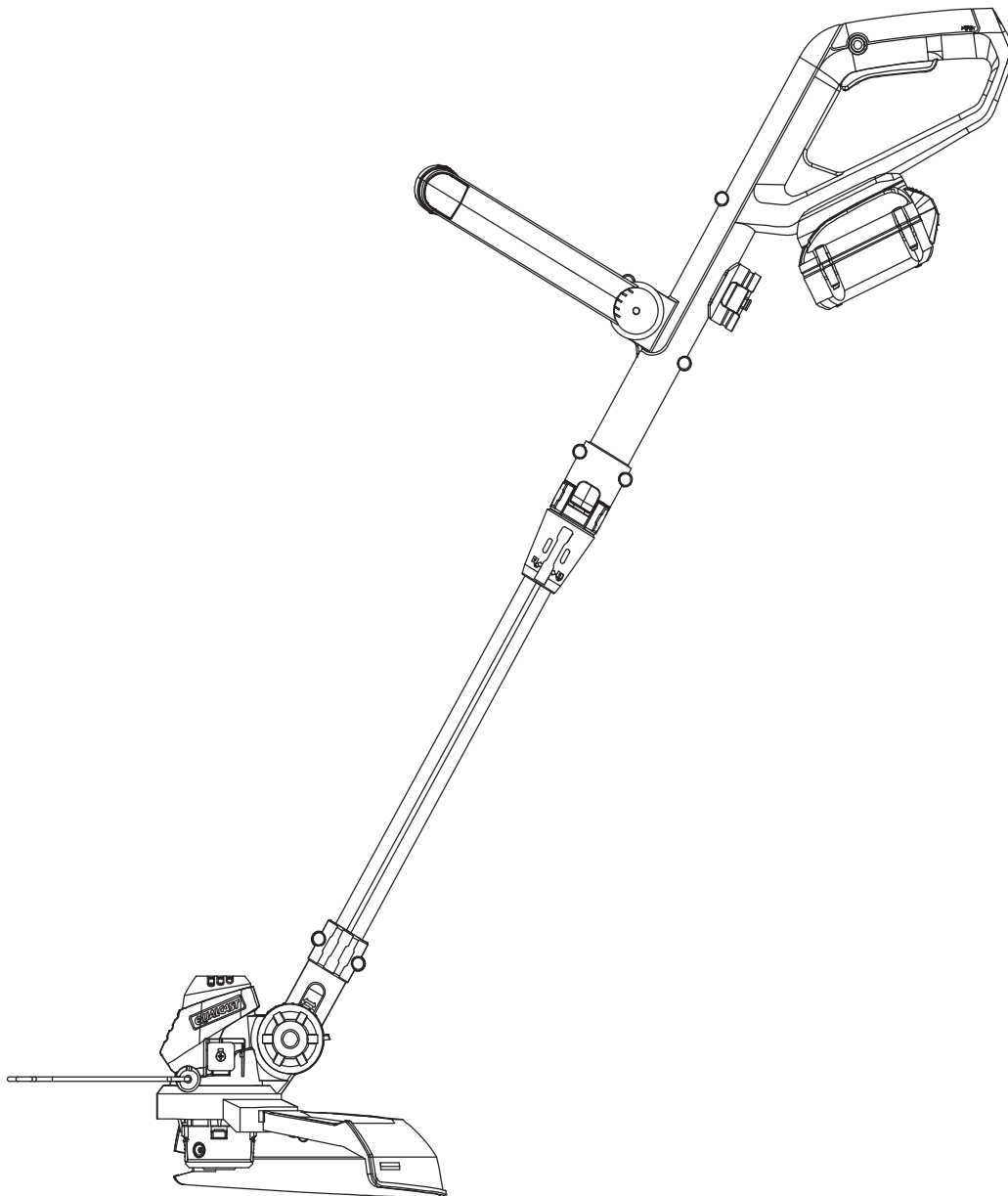
特别提示：

此小页为说明书印刷要求，不需要输出菲林，
不作为印刷内容。

Qualcast 36V Cordless Grass Trimmer

Assembly Manual

CGT36LA1



After Sales Support

UK/Ireland 0344 801 0979
Web WWW.ARGOS.CO.UK

Important- Please read these instructions fully before starting assembly

These instructions contain important information that will help you get the best from your grass trimmer, ensuring it is assembled correctly and safely. If you need help or have damaged or missing parts, call the Customer Helpline on 0344 801 0979.

Contents

Safety information.....	3
Warning Symbols.....	3
General safety.....	3
Personal safety.....	3
In the Box.....	4
Parts.....	4
Assembly.....	5
Preparing to assemble the grass trimmer.....	5
Step 1 Fitting the safety guard.....	5
Step 2 Fitting the edger wheel	6
Operation.....	6
Getting help.....	6

Safety Information

Important - Please read these instructions fully before starting assembly

Warning Symbols

The following warning symbols appear throughout this assembly manual and indicate the appropriate safety measures you should take when assembling and operating the grass trimmer.



This symbol indicates there is a danger of serious personal injury or death if you do not observe the warning.



Read operator's manual



Do not expose to moisture

General Safety



WARNING!

Keep this assembly manual in a safe place following assembly for reference at a later date. Always ensure anyone intending to operate this grass trimmer is fully conversant with the contents of this assembly manual prior to assembling, maintaining or operating the grass trimmer. Perform assembly operations as described in this manual. Failure to observe this warning may lead to serious injury, death, or damage to the grass trimmer. Always take care when removing the packaging to prevent damage to you or to the grass trimmer.



IMPORTANT! Before assembling the grass trimmer, check all the parts indicated in the manual are in the box. Inspect all the parts for signs of damage. Do not assemble the grass trimmer if you observe any damaged components.

Personal Safety



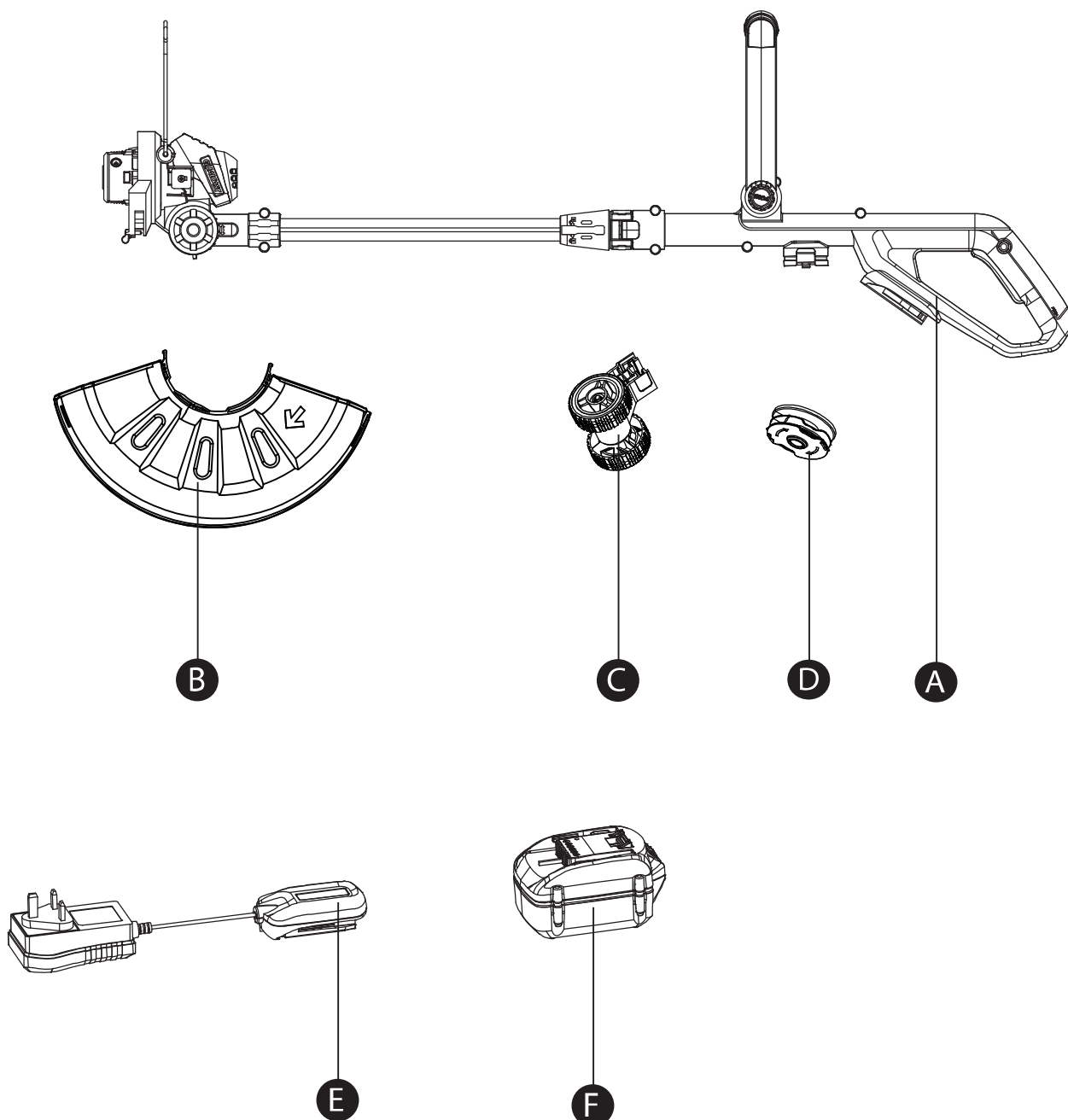
WARNING!

Only operate the grass trimmer if you are wearing the correct Personal Protective Equipment (PPE) as described in the following warnings.

In the Box

Parts

- A** Machine body
- B** Guard
- C** Edging Wheel
- D** Spool and line
- E** Charger
- F** Battery



Assembly

Preparing To Assemble The Grass Trimmer



Always take care when removing the packaging to prevent damage to you or to the grass trimmer.



IMPORTANT! Before assembling the grass trimmer, check **all** the parts indicated in the manual are in the box. Inspect **all** the parts for signs of damage. Do not assemble the grass trimmer if you observe any damaged components.



NOTE: Before using the tool, read the instruction book carefully.

Remove **all** parts of the grass trimmer from the box and carefully remove **all** packaging. Take care not to lose any instructions which may be attached to the tool, these provide important information which will be required while assembling the grass trimmer.

Step 1



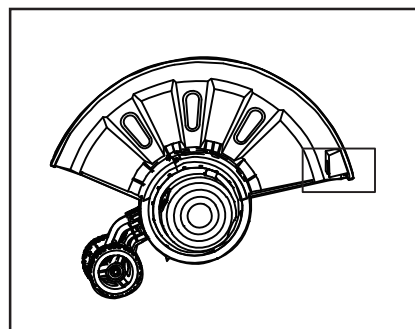
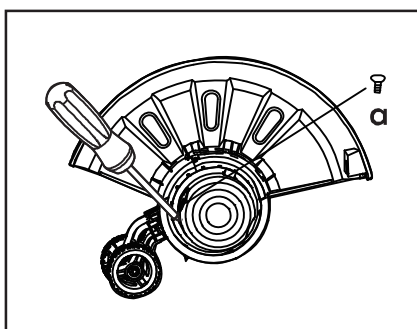
WARNING! The guard must always be on the tool to protect the user.



WARNING! Never operate the tool without the guard properly in place. Use of the unit without having installed the guard will cause the motor to overheat, and void the warranty.



WARNING! Take care when fitting the guard. The guard is fitted with a very sharp line cutter to trim the cutting line to the correct length.

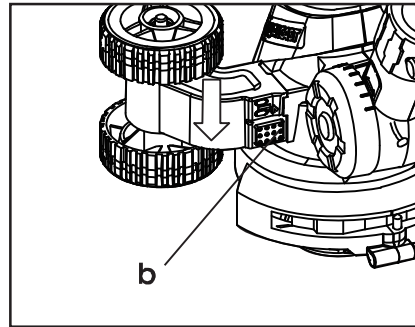
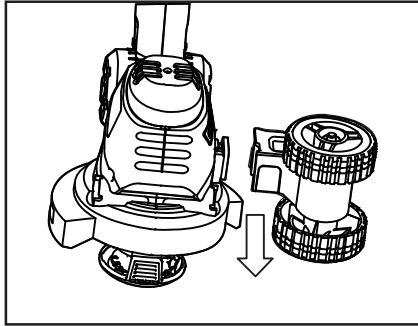


FITTING THE SAFETY GUARD

Attach the safety guard to the trimmer head. Align the guard so it slides into the slots located on the trimmer head. Turn the tool over and secure the safety guard onto the trimmer head with the screw (a) provided.

Assembly

Step 2



FITTING THE EDGING WHEEL

With the tool rightside up, slide the edging wheel onto the metal plate located on the side of the trimmer head. Make sure the grooves of the edger wheel locks onto the metal plate, you will hear it click into place. To remove the wheel, press the release button (b) on the wheel and pull the wheel upward.

Operation



WARNING! Before using the tool, read the instruction book carefully.

INTENDED USE

The machine is intended for cutting weeds, grass or similar soft vegetation in areas that are hard to reach, e.g. under bushes, on slopes and edges. It may not be used to work on unusual thick, dry or wet grass, e.g. pasture grass, or to shred leaves. This machine is intended for private domestic use only, not for any commercial trade use. It must not be used for any purposes other than those described.

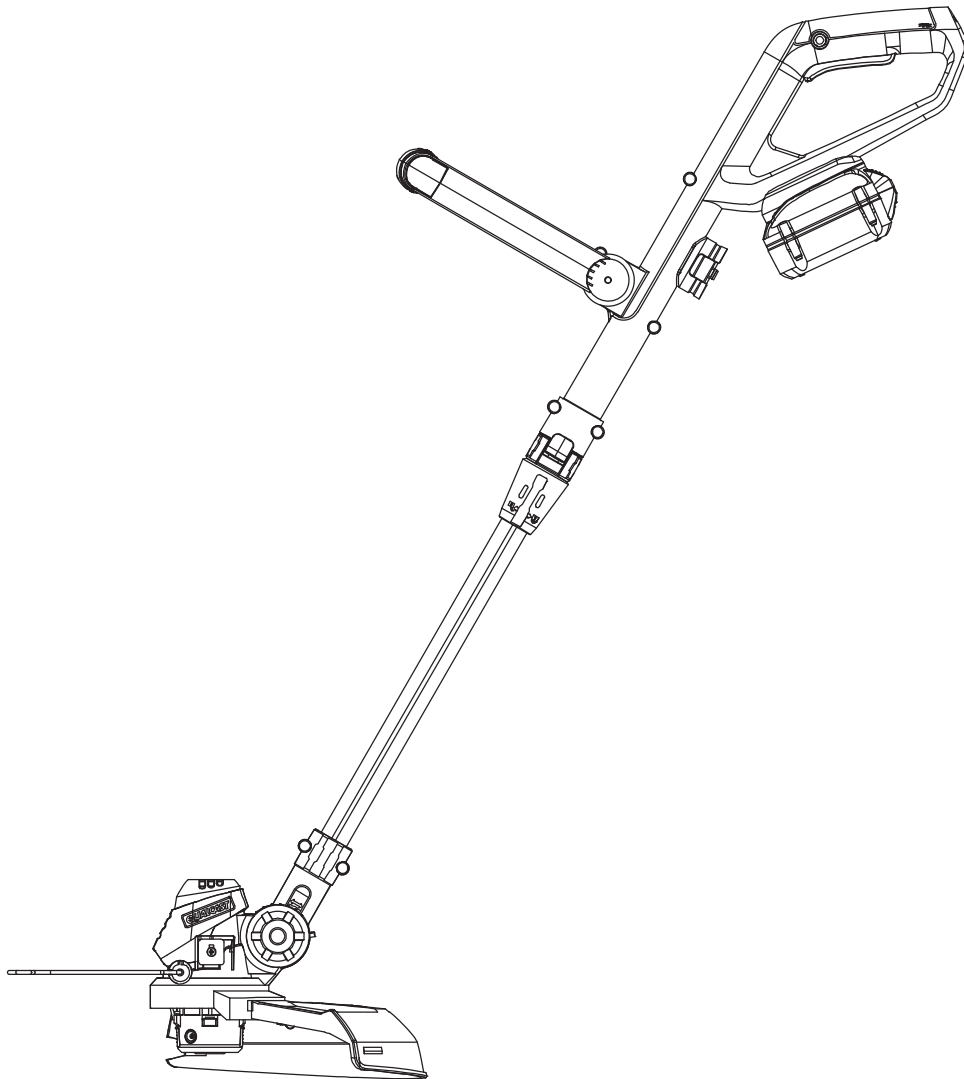
Getting Help

Customer Helpline 0344 801 0979

Qualcast 36V Cordless Grass Trimmer

Operation and Maintenance Manual

CGT36LA1



After Sales Support

UK/Ireland 0344 801 0979
Web WWW.ARGOS.CO.UK

Important- Please read these instructions fully before operating or maintaining your grass trimmer

These instructions contain important information that will help you get the best from your grass trimmer, ensuring it is assembled correctly and safely

Contents

Safety Information.....	9
Warnings Symbols.....	9
General Power Tool Safety Warnings.....	10
Grass Trimmer Safety Warnings.....	12
General Safety Warnings for your Charger.....	13
Additional safety instructions for your Charger.....	13
Safety Warnings for battery pack.....	14
Maintenance And Storage.....	15
Preparing to Operate the Grass Trimmer.....	16
Step 1–Charging The Battery.....	16
Step 2–To Remove Or Install Battery Pack.....	17
Step 3–Installing/ Removing the Spare spool.....	17
Step 4–Adjusting auxiliary handle.....	18
Step 5–Removing the blade protect label.....	18
Step 6–Adjusting the cutting angle.....	18
Step 7–Adjusting Flower Guard.....	19
Operating the Grass Trimmer.....	20
Step 1–Starting the machine.....	20
Step 2–Trimming.....	20
Step 3–Edging.....	21
Step 4–Automatic line feed system.....	21
Step 5–To manually feed the line.....	22
Stopping.....	22
How to replace the spool/spool line.....	23
Step 1–Removing the spool.....	23
Step 2–replace the cutting line.....	23
Step 3–Inserting the spool and line.....	24
Maintenance.....	25
Maintenance Schedule.....	25
Troubleshooting.....	25
General Troubleshooting.....	25
Technical Data.....	26
Technical Data Table.....	26
Noise and technical date.....	26
Accessories.....	27
Environmental Protection.....	27
Plug Replacement(UK & Ireland Only)	28
Getting Help.....	29
Guarantee.....	29
Declaration of Conformity.....	30

Safety Information

Important - Please read these instructions fully before starting assembly

Warning Symbols

The following warning symbols appear throughout this assembly manual and indicate the appropriate safety measures you should take when assembling and operating the grass trimmer.



Read operator's manual



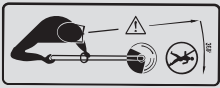
Do not expose to moisture



Warning



Wear ear protection
Wear eye protection



Keep bystanders away.



Only use the battery charger indoors



Do not expose to moisture.



This product has been marked with a symbol relating to removing electric and electronic waste. This means that this product shall not be discarded with household waste but that it shall be returned to a collection system which conforms to the European Directive 2002/96/CE. It will then be recycled or dismantled in order to reduce the impact on the environment. Electric and electronic equipment can be hazardous for the environment and for human health since they contain hazardous substances.



Li-Ion battery. This product has been marked with a symbol relating to separate collection' for all battery packs and battery pack. It will then be recycled or dismantled in order to reduce the impact on the environment. Battery packs can be hazardous for the environment and for human health since they contain hazardous substances.



Safety Information

Important - Please read these instructions fully before starting assembly

General Power Tool Safety Warnings



WARNING: Read all safety warnings and all instructions. Failure to follow the warnings and instructions may result in electric shock, fire and/or serious injury.

Save all warnings and instructions for future reference.

The term “power tool” in the warnings refers to your mains-operated (corded) power tool or battery-operated (cordless) power tool.

1) WORK AREA SAFETY

- a) **Keep work area clean and well lit.** Cluttered or dark areas invite accidents.
- b) **Do not operate power tools in explosive atmospheres, such as in the presence of flammable liquids, gases or dust.** Power tools create sparks which may ignite the dust or fumes.
- c) **Keep children and bystanders away while operating a power tool.** Distractions can cause you to lose control.

2) ELECTRICAL SAFETY

- a) **Power tool plugs must match the outlet. Never modify the plug in any way. Do not use any adapter plugs with earthed (grounded) power tools.** Unmodified plugs and matching outlets will reduce risk of electric shock.
- b) **Avoid body contact with earthed or grounded surfaces, such as pipes, radiators, ranges and refrigerators.** There is an increased risk of electric shock if your body is earthed or grounded.
- c) **Do not expose power tools to rain or wet conditions.** Water entering a power tool will increase the risk of electric shock.
- d) **Do not abuse the cord. Never use the cord for carrying, pulling or unplugging the power tool. Keep cord away from heat, oil, sharp edges or moving parts.** Damaged or entangled cords increase the risk of electric shock.
- e) **When operating a power tool outdoors, use an extension cord suitable for outdoor use.** Use of a cord suitable for outdoor use reduces the risk of electric shock.
- f) **If operating a power tool in a damp location is unavoidable, use a residual current device (RCD) protected supply.** Use of an RCD reduces the risk of electric shock.

3) PERSONAL SAFETY

- a) **Stay alert, watch what you are doing and use common sense when operating a power tool. Do not use a power tool while you are tired or under the influence of drugs, alcohol or medication.** A moment of inattention while operating power tools may result in serious personal injury.
- b) **Use personal protective equipment. Always wear eye protection.** Protective equipment such as dust mask, non-skid safety shoes, hard hat, or hearing protection used for appropriate conditions will reduce personal injuries.
- c) **Prevent unintentional starting. Ensure the switch is in the off-position before**

Safety Information

Important - Please read these instructions fully before starting assembly

General Power Tool Safety Warnings (continued)

connecting to power source and/or battery pack, picking up or carrying the tool.

Carrying power tools with your finger on the switch or energising power tools that have the switch on invites accidents.

d) Remove any adjusting key or wrench before turning the power tool on. A wrench or a key left attached to a rotating part of the power tool may result in personal injury.

e) Do not overreach. Keep proper footing and balance at all times. This enables better control of the power tool in unexpected situations.

f) Dress properly. Do not wear loose clothing or jewellery. Keep your hair, clothing and gloves away from moving parts. Loose clothes, jewellery or long hair can be caught in moving parts.

g) If devices are provided for the connection of dust extraction and collection facilities, ensure these are connected and properly used. Use of dust collection can reduce dust-related hazards.

4) POWER TOOL USE AND CARE

a) Do not force the power tool. Use the correct power tool for your application. The correct power tool will do the job better and safer at the rate for which it was designed.

b) Do not use the power tool if the switch does not turn it on and off. Any power tool that cannot be controlled with the switch is dangerous and must be repaired.

c) Disconnect the plug from the power source and/or the battery pack from the power tool before making any adjustments, changing accessories, or storing power tools. Such preventive safety measures reduce the risk of starting the power tool accidentally.

d) Store idle power tools out of the reach of children and do not allow persons unfamiliar with the power tool or these instructions to operate the power tool. Power tools are dangerous in the hands of untrained users.

e) Maintain power tools. Check for misalignment or binding of moving parts, breakage of parts and any other condition that may affect the power tool's operation. If damaged, have the power tool repaired before use. Many accidents are caused by poorly maintained power tools.

f) Keep cutting tools sharp and clean. Properly maintained cutting tools with sharp cutting edges are less likely to bind and are easier to control.

g) Use the power tool, accessories and tool bits etc. in accordance with these instructions, taking into account the working conditions and the work to be performed. Use of the power tool for operations different from those intended could result in a hazardous situation.

5) BATTERY TOOL USE AND CARE

a) Recharge only with the charger specified by the manufacturer. A charger that is suitable for one type of battery pack may create a risk of fire when used with another battery pack.

b) Use power tools only with specifically designated battery packs. Use of any other battery packs may create a risk of injury and fire.

Safety Information

Important - Please read these instructions fully before starting assembly

General Power Tool Safety Warnings (continued)

c) When battery pack is not in use, keep it away from other metal objects, like paper clips, coins, keys, nails, screws or other small metal objects, that can make a connection from one terminal to another. Shorting the battery terminals together may cause burns or a fire.

d) Under abusive conditions, liquid may be ejected from the battery; avoid contact. If contact accidentally occurs, flush with water. If liquid contacts eyes, additionally seek medical help. Liquid ejected from the battery may cause irritation or burns.

6) SERVICE

a) Have your power tool serviced by a qualified repair person using only identical replacement parts. This will ensure that the safety of the power tool is maintained.

Grass Trimmer Safety Warnings



WARNING Read all safety warnings and all instructions. Failure to follow the warnings and instructions may result in electric shock, fire and/or serious injury.

Save all warnings and instructions for future reference.

- This appliance is not intended for use by persons (including children) with reduced physical, sensory or mental capabilities, or lack of experience and knowledge, unless they have been given supervision or instruction concerning use of the appliance by a person responsible for their safety.

- Children should be supervised to ensure that they do not play with the appliance.

a) Read instruction manual.

b) Keep bystanders away.

c) Wear eye protection.

d) Do not expose to moisture.

e) Never allow children or people unfamiliar with the instructions to use the machine;

f) Stop using the machine while people, especially children, or pets are nearby;

g) Only use the machine in daylight or good artificial light;

h) Before using the machine and after any impact, check for signs of wear or damage and repair as necessary;

i) Never operate the machine with damaged guards or without the guards in place;

j) Keep hands and feet away from the cutting means at all times and especially;

k) Take care against injury from any device fitted for cutting the filament line length. After extending new cutter line always return the machine to its normal operating position before switching on;

l) Never fit metal cutting elements;

m) Never use replacement parts or accessories not provided or recommended by the manufacturer;

n) Always ensure that ventilation openings are kept clear of debris;

o) Under abusive conditions, liquid may be ejected from the battery; avoid contact. If contact

Safety Information

Important - Please read these instructions fully before starting assembly

Grass Trimmer Safety Warnings (continued)

accidentally occurs, flush with water. If liquid contacts eyes, additionally seek medical help. Liquid ejected from the battery may cause irritation or burns.

p) Be familiar with the controls and proper use of the equipment;

General Safety Warnings For Your Charger



WARNING: Read all safety warnings and all instructions. Failure to follow the warnings and instructions may result in electric shock, fire and/or serious injury.

Save all warnings and instructions for future reference.

This appliance can be used by children aged from 8 years and above and persons with reduced physical, sensory or mental capabilities or lack of experience and knowledge if they have been given supervision or instruction concerning use of the appliance in a safe way and understand the hazards involved. Children shall not play with the appliance. Cleaning and user maintenance shall not be made by children without supervision.

Additional Safety Instructions For Your Charger

1. Before charging, read the instructions.
2. After charging, disconnect the battery charger from the supply mains. Then remove the chassis connection and then the battery connection.
3. Do not charge a leaking battery.
4. Do not use chargers for works other than those for which they are designed.
5. Before charging, ensure your charger is matching the local AC supply.
6. For indoor use, or do not expose to rain.
7. The charging device must be protected from moisture.
8. Do not use the charging device in the open.
9. Do not short out the contacts of battery or charger.
10. Respect the polarity "+/-" when charging.
11. Do not open the unit and keep out of the reach of children.
12. Do not charge the batteries of other manufactures or ill-suited models .
13. Ensure that the connection between the battery charger and battery is correctly positioned and is not obstructed by foreign bodies.
14. Keep battery charger's slots are free of foreign objects and protect against dirt and humidity. Store in a dry and frost-free place.
15. When charging batteries, ensure that the battery charger is in a well-ventilated area and away from

Safety Information

Important - Please read these instructions fully before starting assembly

Additional Safety Instructions For Your Charger (Continued)

inflammable materials. Batteries can get hot during charging. Do not overcharge any batteries. Ensure that batteries and chargers are not left unsupervised during charging.

16. Do not recharge non-rechargeable batteries, as they can overheat and break.

17. Longer life and better performance can be obtained if the battery pack is charged when the air temperature is between 18°C and 24°C. Do not charge the battery pack in air temperatures below 4.5°C, or above 40.5°C. This is important as it can prevent serious damage to the battery pack.

18. Charge only battery pack of the same model provided by manufacturer and of models recommended by manufacturer .

Safety Warnings For Battery Pack

a) Do not dismantle, open or shred cells or battery pack.

b) Do not short-circuit a battery pack. Do not store battery packs haphazardly in a box or drawer where they may short-circuit each other or be short-circuited by conductive materials. When battery pack is not in use, keep it away from other metal objects, like paper clips, coins, keys, nails, screws or other small metal objects, that can make a connection from one terminal to another. Shorting the battery terminals together may cause burns or a fire.

c) Do not expose battery pack to heat or fire. Avoid storage in direct sunlight.

d) Do not subject battery pack to mechanical shock.

e) In the event of battery leaking, do not allow the liquid to come into contact with the skin or eyes. If contact has been made, wash the affected area with copious amounts of water and seek medical advice.

f) Seek medical advice immediately if a cell or battery pack has been swallowed.

g) Keep battery pack clean and dry.

h) Wipe the battery pack terminals with a clean dry cloth if they become dirty.

i) Battery pack needs to be charged before use. Always refer to this instruction and use the correct charging procedure.

j) Do not maintain battery pack on charge when not in use.

k) After extended periods of storage, it may be necessary to charge and discharge the battery pack several times to obtain maximum performance.

l) Battery pack gives its best performance when it is operated at normal room temperature (20°C±5°C).

m) When disposing of battery packs, keep battery packs of different electrochemical systems separate from each other.

n) Recharge only with the charger specified by manufacturer . Do not use any charger other than that specifically provided for use with the equipment. A charger that is suitable for one type of battery pack may create a risk of fire when used with another battery pack.

o) Do not use any battery pack which is not designed for use with the equipment.

p) Keep battery pack out of the reach of children.

q) Retain the original product literature for future reference.

r) Remove the battery from the equipment when not in use.

s) Dispose of properly.

Safety Information

Important - Please read these instructions fully before starting assembly

Maintenance And Storage

IMPORTANT NOTE:

Always remove battery before cleaning, repair and storage.

1. Always remove the battery when cleaning or carrying out maintenance, for example changing the spool and line.
2. Your tool requires no additional lubrication or maintenance. There are no user serviceable parts in your tool.
3. Never use water or chemical cleaners to clean your power tool. Wipe clean with a dry cloth.
4. Always check the cutting head and guard before each use.
5. Always store your power tool in a dry place.
6. Keep the motor ventilation slots clean.
7. Have the unit professionally repaired should any damage occur.

Preparing to Operate the Grass Trimmer

Step 1 – Charging The Battery



WARNING!

The charger and battery pack are specially designed to work together so do not attempt to use any other devices. Never insert or allow metallic objects into your charger or battery pack connections because an electrical failure and hazard will occur.

BEFORE USING YOUR CORDLESS GRASS TRIMMER, YOU MUST FULLY CHARGE THE BATTERY

Your battery pack is UNCHARGED and you must charge once before use.

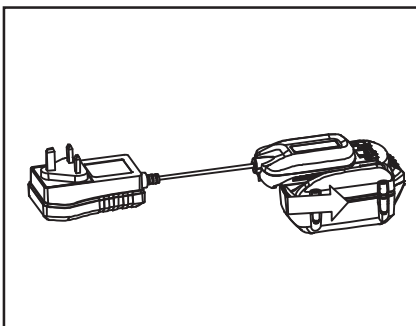
The battery charger supplied is matched to the Li-ion battery installed in the machine. Do not use another battery charger.

In a warm environment or after heavy use, the battery pack may become too hot to permit charging. Allow time for the battery to cool down before recharging.

When the battery is charged for the first time and after prolonged storage, the battery will only accept approximately 60% charge. However, after several charge and discharge cycles the battery will accept a 100% charge.



WARNING: When battery charge runs out after continuously use or exposure to direct sunlight or heat, allow time for the tool to cool down before re-charging to achieve the full charge.

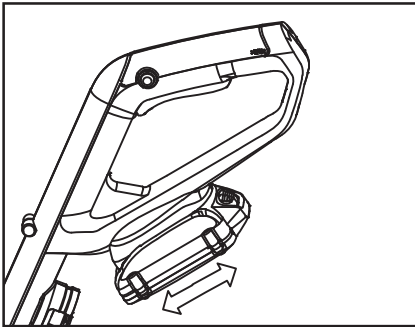


HOW TO CHARGE THE BATTERY

Connect the battery charger to the power supply and the light will be green. Slide the battery pack into the charger to make the connections. The light will turn red to show charging has started. A discharged battery at normal ambient temperature will take approximately 3-5 hours to reach full charge. When charging is completed the light will turn green.

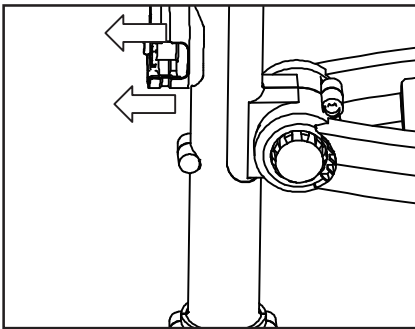
Preparing to Operate the Grass Trimmer

Step 2 – Installing Or Removing Battery Pack



Depress the Battery pack release button to release battery pack from your hedge trimmer. After recharging, insert the battery pack into hedge trimmer's battery port. A simple push and slight pressure will be sufficient.

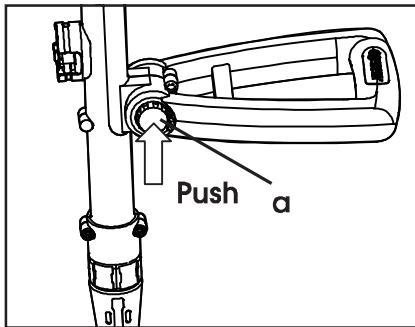
Step 3 – Installing Or Removing The Spare Spool



To remove the Spare spool, just pull it out from the Spool holder mechanism . To install, just push it to the Spool holder mechanism with force, and a click will be heard.

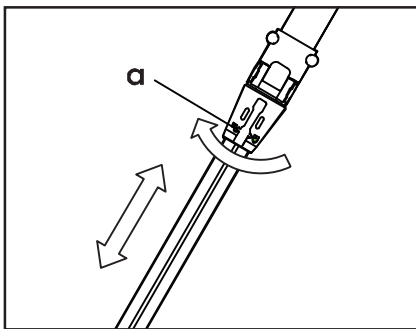
Preparing to Operate the Grass Trimmer

Step 4 – Adjusting Auxiliary Handle



Press the Auxiliary handle locking knob (a).
Rotate the auxiliary handle to the most comfortable and balanced position.
Then release the Auxiliary handle locking knob (a).

Step 5 – Adjusting The Height



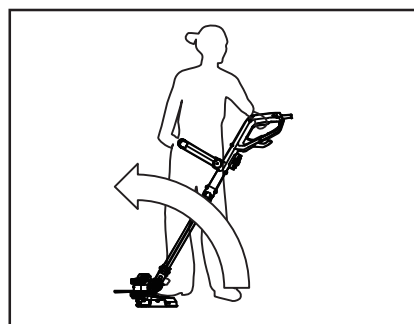
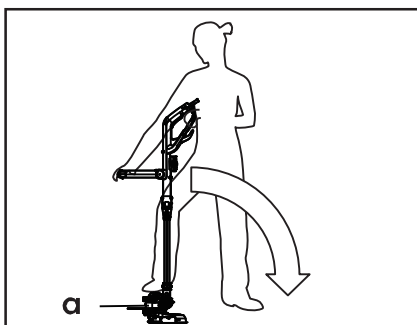
ADJUSTING THE HEIGHT

Unscrew the Height adjustment locking collar (a) in the direction indicated to unlock, turn it clockwise. Adjust the length of the Aluminum tube to the most comfortable length. Tighten the locking collar (a) in the direction indicated to lock, turn it counterclockwise.

Step 6 – Adjusting The Cutting Angle



Warning: Always disconnect the trimmer before making adjustments!



Preparing to Operate the Grass Trimmer

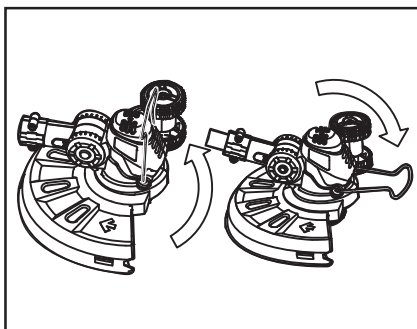
Step 6 – Adjusting The Cutting Angle (Continued)

ADJUSTING THE CUTTING ANGLE

To adjust the Main handle angle downwards or convert the tool from trimming mode to edging mode, put one foot on the motor housing portion of the trimmer head (a), then grip the main handle and apply adequate force on the Main handle pushing it downwards.

Adjust the Main handle angle upwards, put one foot on the safety guard area of the trimmer head, then grip the main handle, apply adequate force to adjust.

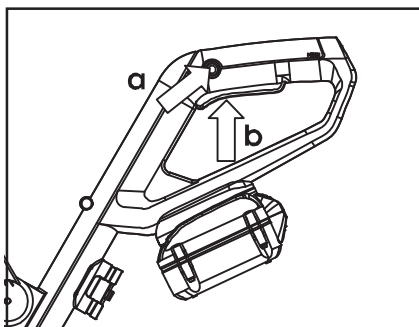
Step 7 – Adjusting Flower Guard



Lift the flower guard up when edging and put it down before trimming. Before trimming or edging make sure the flower guard is locked firmly in position.

Operating the Grass Trimmer

Step 1 – Starting The Machine



The safety switch is locked off to prevent accidental starting. Depress the Lock off button (a) then depress the On/Off switch (b) and release lock off button (a). Your trimmer is now on.

WARNING! The cutting head continues to rotate after the trimmer has been switched off; wait until it has completely stopped then lay down the tool.

Step 2 – Trimming

WARNING! Always wear the eye protection. Never lean over the trimmer head. Rocks or debris can ricochet or be thrown into eyes and face and cause blindness or other serious injury. When operating unit, check for the following:

Wear eye protection and heavy clothing. Hold front handle with one hand and auxiliary handle with the other hand. Keep unit below waist level. Work only from your right to your left to ensure debris is thrown away from you. Without bending over, keep line near and parallel to the ground (perpendicular when edging) and not crowded into material being cut.

WARNING! Make sure that line is fed out before operation. Make sure motor is up to full speed before trimming.

WARNING! Use only 1.65 mm diameter cutting line. Other sizes of line will not feed properly and will result in improper cutting head function or can cause serious injury. Do not use other material such as wire, string, rope, etc. Wire can break off during cutting and become a dangerous missile that can cause serious injury.

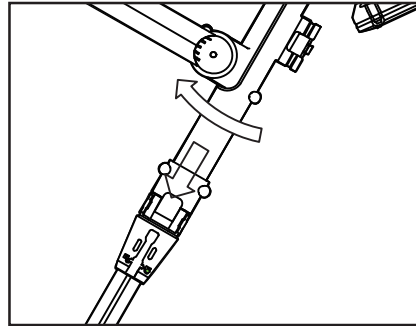
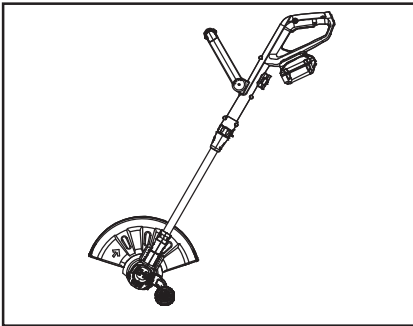
TRIMMING

- Do not cut wet grass because it tends to stick to the trimmer head and guard, prevents proper discharge of grass clippings, and could cause you to slip and fall.
- Regularly remove clippings and dirt around the trimmer head with a switched off trimmer.
- Work rhythmically, stand firmly with your feet apart. Cut from right to left so the trimmings will be thrown away from the work area.
- Do not move the trimmer too fast as this will result in ineffective cutting and possible damage.
- Cut repeatedly from up and down in layers when the grass is very high. Keep the trimmer head at an angle of about 30° to the ground when trimming. Avoid pressing it against the ground as this can ruin the lawn and damage the trimmer head.
- If you find that the nylon line is too short follow the instruction as in "Automatic line feed system" or "To manually feed the line".

NOTE: Let the cutting device do the work. Let it work at its own space, never press it into the area to be cut.

Operating the Grass Trimmer

Step 3 – Edging



Change the tool from trimming to edging mode by adjusting the cutting angle to be in the lowest horizontal setting as shown. Then push the Handle rotation locking button downward and rotate the main handle 90 degree clockwise.

Then position the wheel on the ground for edging mode. The guard has two white line guides to indicate the cutting line position. Align these marks with the edge of your lawn.

While edging, only allow the tip of the line to make contact with the area being worked. Do not force the line. The edging wheel help protect the unit and keep the unit from contacting the ground. Take extra caution while edging as objects can be thrown from the trimmer line.

Step 4 – Automatic Line Feed System

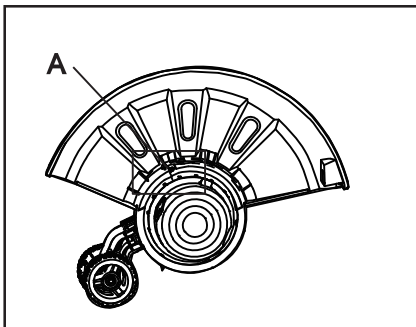
When initially switching on the trimmer, a small length of line is fed out.

A 'clattering' noise will be heard when the lines hit the line cutter. DO NOT BE ALARMED this is quite normal. After about 5 seconds the line will be cut to the correct length and the noise will reduce as the motor reaches full speed. If the noise of the line being cut can't be heard, more line will be fed out.

To feed more line, it is first necessary to allow the trimmer to stop completely, then restart, allowing the motor to reach full speed. Repeat step 4 until you hear the line hitting the line cutter. (Do not repeat this procedure more than 6 times)

Operating the Grass Trimmer

Step 5 – To Manually Feed The Line



If required, line can be fed out manually.

To operate, press and release manual line feed button (A), gently pull the one line until it reaches the line cutter.

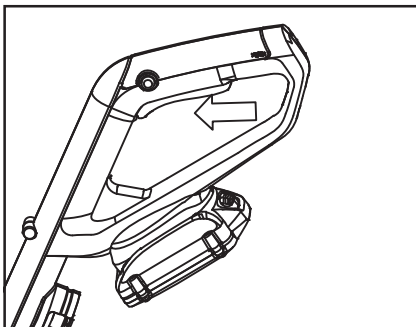
When the required amount of line is fed out, gently pull on the second line (there is no need to press the manual line feed button again)

If the line extends past the line cutter, too much line has been fed out.

If too much line is fed out, remove the spool cap and rotate spool anti-clockwise until the line is at the desired length.

Stopping

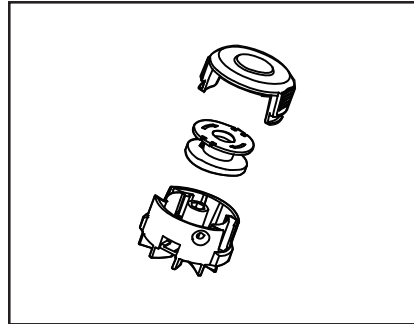
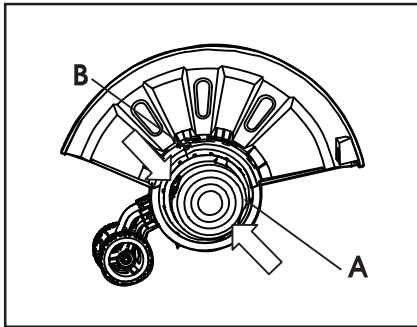
Stopping



Release the switch to stop

How To Replace The Spool And Line

Step 1 – Removing The Spool




To remove the cap.
Press and hold in the two latches (A,B).
Pull cap away from the spool holder.

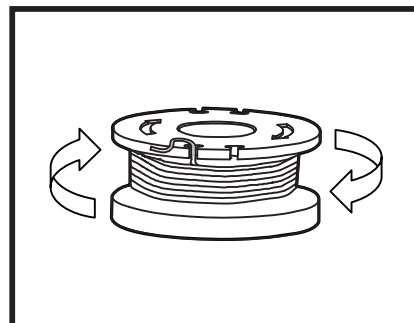
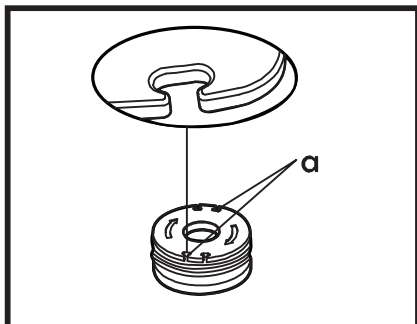
Take care not to misplace or lose the spring.

To fit replacement spool and line;
Remove old spool.
Place new spool and line into cutting head. Release one line from the spool cleat and feed line through eyelet.
Repeat for second line.
Refit the cap.

Step 2 – Replace The Cutting Line

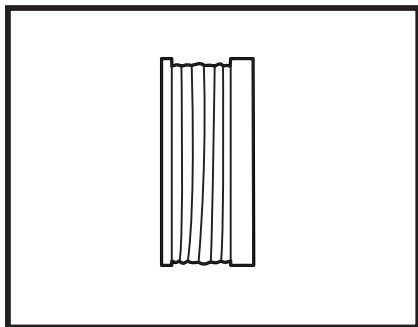
 Warning! Your Trimmer is designed to use only line with a maximum diameter of 1.65 mm

IMPORTANT - Always wind the line onto the upper section of the spool first.



How to replace the spool/spool line

Step 2 – Replace The Cutting Line (Continued)



Take approximately 3 metres of line. Insert 15mm of line into one of the holes in the upper section of the spool and wind line in the direction of the arrows on the top of the spool.

Leave approximately 100mm of line unwound and place into cleat. Repeat on lower section of spool.

Care should be taken to ensure that the line is neatly coiled on the spool. Failure to do so will impair the efficiency of the automatic line feed.

Then fit spool as described in "To fit spool and line complete".

WIND SPOOL WITH NEW LINE

Important! Your trimmer is designed to use only line with a maximum diameter of 1.65mm.

1. Remove the empty spool from the tool as described in "TO REPLACE CUTTING LINE" above.

2. Remove any remaining cutting line from the spool

3. IMPORTANT - Always wind the line onto the upper section of the spool first. Take approximately 3 metres of line. Insert 15mm of line into one of the holes in the upper section of the spool and wind line in the direction of the arrows on the top of the spool. Leave approximately 100mm of line unwound and place into cleat (a). Repeat on lower section of spool. Care should be taken to ensure that the line is neatly coiled on the spool. Failure to do so will impair the efficiency of the automatic line feed. Then fit spool as described in "To fit spool and line complete".

Step 3 – Inserting The Line Spool

When refitting the spool cap.

Keep all areas of the cap and spool holder clean.

Replace the cap, pressing firmly down towards the spool holder to ensure cap is fully located.

Check that the cap is correctly fitted by trying to remove it without depressing the two latches.

Maintenance

Maintenance Schedule

Remove the battery before carrying out any adjustment, servicing or maintenance.

Your power tool requires no additional lubrication or maintenance. There are no user serviceable parts in your power tool. Never use water or chemical cleaners to clean your power tool. Wipe clean with a dry cloth. Always store your power tool in a dry place. Keep the motor ventilation slots clean. Keep all working controls free of dust. Occasionally you may see sparks through the ventilation slots. This is normal and will not damage your power tool.

If the supply cord is damaged, it must be replaced by the manufacturer, its service agent or similarly qualified persons in order to avoid a hazard.

Troubleshooting

General Troubleshooting


The following chart lists problem symptoms, possible causes and corrective action, if your electric grass trimmer does not operate properly. If these do not identify and correct the problem, contact your helpline.

WARNING! Always switch the product off, disconnect it from power supply and let the product cool down before performing inspection, maintenance and cleaning work!


Problem	Possible Cause	Corrective Action
Grass trimmer does not operate	1.1 No power 1.2 Replace with DC possible cause & corrective action 1.3 Extension cord damaged 1.4 Fuse faulty	1.1 Check power 1.2 Check other socket, replace 1.3 Check cord, replace 1.4 Replace fuse
Grass trimmer operates intermittently	2.1 Extension cord damaged 2.2 Internal wiring damaged	2.1 Check cord, replace 2.2 Contact Service Agent
Grass trimmer labours	3. Grass too high	3. Cut in stages
Grass trimmer is not cutting	4 Line too short/broken off	4 Feed the line manually/automatically
Line will not feed from spool	5.1 Spool empty 5.2 Line inside the spool entangled	5.1 Replace the spool 5.2 Inspect the spool, rewind if necessary
Line keeps breaking	6.1 Line inside the spool entangled 6.2 Trimmer used incorrectly	6.1 Inspect the spool, rewind if necessary 6.2 Only trim with the tip of the line, avoid stones, walls and other hard objects. Feed the line regularly to maintain full cutting width.

Technical Data

Technical Data Table


Rated voltage	36V 
Charge volts	100-240V~50-60Hz 0.8Amax
No load speed:	8500/min
Max.cutting width:	30cm
Diameter of line:	1.65mm
Line length:	1*3m
Full charging time	3-5hrs
Battery capacity	2.5Ah
Weight:	2.56kg

Noise And Technical Date

A weighted Sound Pressure	78.8dB(A) K_{pA} :1.18dB(A)
A weighted Sound Power	93.4dB (A)
Guaranteed sound power level	96dB(A)
Wear ear protection when sound pressure is over	80dB(A) 
Typical weighted vibration	3.3 m/s ² , K:1.5 m/s ²

The declared vibration value has been measured in accordance with a standard test method and may be used for comparing one product with another.

The declared vibration value may also be used to evaluate the exposure for the user caused by vibration in advance.

WARNING: The vibration emission value during actual use of the power tool can differ from the  declared value depending on the ways in which the tool is used dependant on the following examples and other variations on how the tool is used:

How the tool is used and the materials being cut or drilled.


The tool being in good condition and well maintained

The use the correct accessory for the tool and ensuring it is sharp and in good condition.

The tightness of the grip on the handles and if any anti vibration accessories are used.

And the tool is being used as intended by its design and these instructions.

This tool may cause hand-arm vibration syndrome if its use is not adequately managed

WARNING: To be accurate, an estimation of exposure level in the actual conditions of use should also  take account of all parts of the operating cycle such as the times when the tool is switched off and when it is running idle but not actually doing the job. This may significantly reduce the exposure level over the total working period.

Helping to minimise your vibration exposure risk.

ALWAYS use sharp chisels, drills and blades

Maintain this tool in accordance with these instructions and keep well lubricated (where appropriate)

If the tool is to be used regularly then invest in anti vibration accessories.

Avoid using tools in temperatures of 10°C or less.

Plan your work schedule to spread any high vibration tool use across a number of days

Accessories

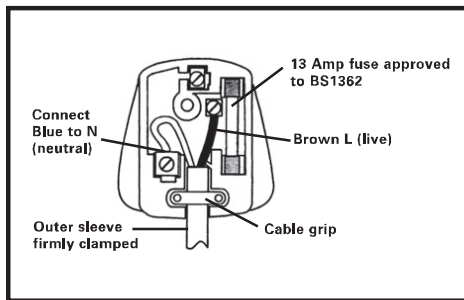
Safety guard	1
Edging wheel	1
Fixed screw	1
Spare spool	1
Battery pack	1
Charger	1

Environmental Protection



This product has been marked with a symbol relating to removing electric and electronic waste. This means that this product shall not be discarded with household waste but that it shall be returned to a collection system which conforms to the European Directive 2002/96/CE. It will then be recycled or dismantled in order to reduce the impact on the environment. Electric and electronic equipment can be hazardous for the environment and for human health since they contain hazardous substances.

Plug Replacement(UK & Ireland Only)



If you need to replace the fitted plug then follow the instructions below.

IMPORTANT

The wires in the mains lead are coloured in accordance with the following code:

BLUE = NEUTRAL

BROWN = LIVE

As the colors of the wires in the mains lead of this appliance may not correspond with the colored markings identifying the terminals in your plug, proceed as follows. The wire which is colored blue must be connected to the terminal which is marked with N. The wire which is colored brown must be connected to the terminal which is marked with L.

WARNING: Never connect live or neutral wires to the earth terminal of the plug. Only fit an approved 13A BS1363/A plug and the correct rated fuse.

NOTE: If a moulded plug is fitted and has to be removed take great care in disposing of the plug and severed cable, it must be destroyed to prevent engaging into a socket.

Getting Help

Customer Helpline 0344 801 0979

Guarantee

This product is selected for DOMESTIC USE ONLY and not for business use.

This product is guaranteed against manufacturing defects for a period of 24 months. This does not cover the product where the fault is due to misuse, abuse, use in contravention of the instructions, or where the product has been the subject of unauthorised modifications or alterations, or has been the subject of commercial use. In the event of a problem with the product within the guarantee period please return it to your nearest store. If the item is shown to have an inherent defect present at the time of sale, the store will provide you with a replacement, Your statutory rights remain unaffected.

