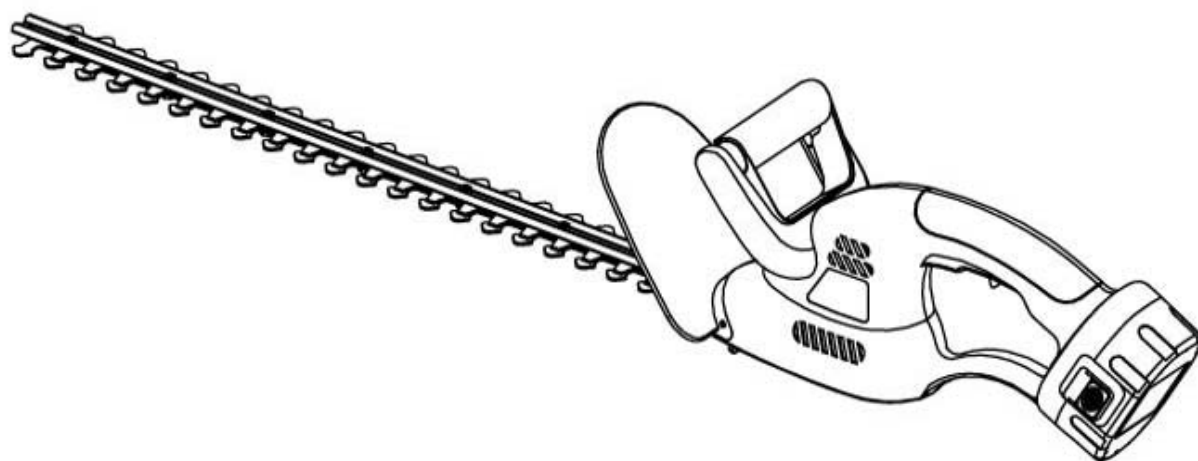




# Cordless Hedge Trimmer



**M0E-ET-410**



**OPERATING INSTRUCTIONS**

# ORIGINAL INSTRUCTIONS

## INTRODUCTION

Thank you for purchasing an SOVEREIGN Hedge Trimmer.

We hope you are completely satisfied with your new product and hope you will enjoy using this tool for many years.

Your M0E-ET-410 Hedge Trimmer has been designed for trimming light foliage and is intended for DIY use only.

## GENREARL POWER TOOL SAFETY WARNINGS



### WARNING!

Read all instructions. Failure to follow all instructions listed below may result in electric shock, fire and/or serious injury. The term "power tool" in all warnings listed below refers to your mains operated power tool.

- 1. Read the instruction carefully.** Be familiar with the controls and the proper use of the appliance. Read and understand the operator's manual and observe the warnings and instruction labels affixed to the appliance.
- 2. Users.** Never allow children or people unfamiliar with these instructions to use the appliance. Local regulations may restrict the age of operator. Never operate the tool under the influence of alcohol, medication or drugs.
- 3. Use appropriate tool.** This device is only intended for cutting and trimming hedges and bushes outdoors and only designated for use on private property. Do not force small tools or attachments to do the job of a heavy duty tool.
- 4. Keep work areas clean.** Cluttered areas can cause accidents.
- 5. Consider work area environment.** Do not expose the tool to high humidity or rain. Do not use the tool in damp and wet conditions. Keep the work area well lit. Do not use the tool where there is a risk of causing fire or explosion, e.g. in the presence of flammable liquids and gases.
- 6. Keep all bystanders, children, and pets away.** The operator or user is responsible for accidents or hazards occurring to other people or the property.
- 7. Dress appropriately.** Do not wear loose clothing or jewelry, as these can be caught in moving parts. Preferably wear non-slip footwear when working outdoors. Wear protective hair covering to keep long hair out of the way.
- 8. Head protection.** Always use safety glasses and gloves. Use a face or dust mask whenever the operations may produce dust or flying particles. Wear ear protection whenever the sound level seems uncomfortable.
- 9. Do not overreach.** Keep proper footing and balance at all times.
- 10. Stay alert, watch what you are doing.** Use common sense when operating the appliance. Do not operate the tool when you are tired.
- 11. Grip the tool securely.** Operator should have one hand on the main handle, the other on the front handle. Keep finger off trigger until ready to use.
- 12. Remove adjusting keys and wrenches.** Always check that adjusting keys and wrenches are removed from the tool before operating the tool.
- 13. Risk of cut.** Do not touch or try to stop the cutting blades when they are moving.
- 14. Disconnect the battery.** Disconnect plug from the tool when not in use or when servicing or cleaning.
- 15. Check for damaged parts.** Before further use, carefully check the tool for damage. Check for alignment of moving parts, binding of moving parts, breakage of parts, mounting and any other condition that may affect its operation. Do not use the tool if any parts are damaged or defective. Have any damaged or defective parts repaired or replaced by an authorized service agent. Never attempt any repairs yourself.
- 16. Avoid unintentional starting.** Do not carry the tool without disconnect the plug and be sure the tool is switched off.
- 17. Use an extension cord suitable for outdoor use when operating a power tool outdoors.** Using a cord suitable for outdoor use reduces the risk of electric shocks.
- 18. If operating a power tool in a damp location is unavoidable, use a residual current device(RCD) protected supply.** Use of an RCD reduces the risk of electric shock.
- 19. Store idle tools.** When not in use, tools should be stored in a dry, locked-up place out of reach of children.

## ORIGINAL INSTRUCTIONS

20. **Maintain tools with care.** Keep tools clean and in good condition for better and safer performance. Follow the instructions for maintenance and changing accessories. Keep handles and switches dry, clean and free from oil and grease.

21. **Have your tool repaired by an authorized service agent.** This tool is manufactured in accordance with the relevant safety regulations. To avoid danger, electrical appliances must only be repaired by qualified technicians.



### **WARNING!**

Do not use any attachments or accessories not recommended by the manufacturer of this tool. The use of attachments or accessories not recommended can result in serious personal injury.

## **ADDITIONAL SAFETY INSTRUCTIONS FOR BATTERIES AND CHARGERS**

### **Batteries**

1. Never attempt to open for any reason.
2. Do not expose to water.
3. Do not incinerate the battery pack even if it is severely damaged or is completely worn out. The battery pack can explode in a fire.
4. Do not store in locations where the temperature may exceed 40°C.
5. Do not leave the battery pack in the charger when the charging is finished, otherwise battery leakage may occur.
6. Charge only at room temperature.
7. Charge only by using the charger provided with the tool (see technical data).
8. Before charging, make sure that the battery is dry and clean.
9. Use only the correct type of battery for the tool (see technical data).
10. When dispose of batteries follow the instructions given in the section "protecting the environment".
11. Under extreme conditions, battery leakage may occur. When you notice liquid on the battery, proceed as follows:  
---Carefully wipe the liquid off using a cloth.  
Avoid skin contact.

---In case of skin or eye contact, follow the instructions below.

---The battery fluid, a 25-30% solution of potassium hydroxide, can be harmful. In case of skin contact, immediately rinse with water. Neutralize with a mild acid such as lemon juice or vinegar. In case of eye contact, rinse abundantly with clean water for at least 10 minutes. Consult a physician.

**NOTE:** The batteries in your battery charger are the nickel-cadmium type. Cadmium is considered to be a toxic material by the Environmental Protection Agency. Before disposing of damaged or worn out Nickel-Cadmium battery packs, check with your local Environmental Protection Agency to find out about special restrictions on the disposal of these battery packs or return them to a certified service center for recycling.

### **Chargers**

1. Charger's plug must match the outlet. Never modify the plug in any way. Unmodified plugs and matching outlets will reduce risk of electric shock.
2. Use your charger only to charge batteries of the type supplied with your tool. Other batteries could burst, causing personal injury and damage.
3. Only 2 battery packs is allowed to be charged continuously in order to prevent overheating of charger, necessary rest time is required to let the charger cool down before further charging.
4. When charging is finished, unplug the charger from mains socket outlet and take away the battery pack from the charger, do not leave the battery pack in the charger.
5. Never carry the charger by its cord or pull it to disconnect from the socket. Keep the cord away from heat, oil and sharp edges.
6. Never attempt to charge non-rechargeable batteries.
7. The cord of the charger is not changeable, do not continue to use if the cord is damaged.
8. Do not expose to water or rain, do not use in wet condition.
9. Do not open the charger.
10. Do not probe the charger.
11. Intended for indoor use only.

## ORIGINAL INSTRUCTIONS

### **ADDITIONAL SAFETY INSTRUCTIONS FOR HEDGE TRIMMERS**

1. THIS TOOL CAN CAUSE SERIOUS INJURIES. Read instructions carefully for the correct handling, preparation, maintenance, starting and stopping of the tool. Be familiar with all controls and proper use of the tool.
2. Only use the tool in daylight or good artificial light.
3. Never allow children to use the tool.
4. Beware of overhead power lines.
5. Avoid operating while people, especially children are nearby.
6. Dress properly! Do not wear loose clothing or jewellery which can be caught in moving parts. Use of sturdy gloves, non-skid footwear, and safety glasses is recommended.
7. If the tool stalls, immediately switch it off. Remove the battery before attempting to remove any obstructions.
8. Remove the battery before checking, maintenance or working on the tool.
9. While operating the tool always be sure of a safe and secure operating position especially when using steps or a ladder.
10. Do not attempt to repair the tool.
11. Do not operate the tool with a damaged or excessively worn cutting device.
12. Always wear ear protection, goggle and helmet during operating.
13. Always ensure that all guards are fitted when using the tool. Never attempt to use an incomplete tool or a tool with unauthorized modifications.
14. Always use two hands to operate the tool.
15. When transporting or storing the tool, always fit the blade sheath.
16. Always be aware of your surroundings and stay alert for possible hazards that you may not hear due to the noise of the tool.
17. Do not carry the tool with your hands on the switch unless the battery has been removed.
18. If you have not used a hedge trimmer before, preferably seek practical instruction by an experienced user in addition to studying this manual.
19. Never touch the blades while the tool is running.
20. Never attempt to force the blades to come to a standstill.
21. Do not put the tool down until the blade has come to a complete standstill.
22. Regularly check the blades for damage and wear. Do not use the machine when the blades are damaged.
23. Take care to avoid hard objects (e.g. metal wire, railings) when trimming. Should you accidentally hit any such object, immediately switch the tool off and check for any damage.
24. Should the tool start to vibrate abnormally, immediately switch it off and check for any damage.
25. Always be aware of falling debris when cutting the higher sides of a hedge.
26. Be aware of the cutting blade; always wear gloves to protect your hands from cut.

**NOTE:** Do not switch the hedge trimmer on and off frequently over a short period of time, and in particular do not play with the ON/OFF switch.

## ORIGINAL INSTRUCTIONS

### SYMBOLS

Symbols are used in this manual to attract your attention to possible risks. The safety symbols and the explications which accompany them must be perfectly understood. The warning themselves do not prevent the risks and can not be a substitute for proper methods of avoiding accidents.



Before any use, refer to the corresponding paragraph in the present manual.



Warning!



Wear ear protection.



Wear eye protection.



Wear dust mask.



Do not expose to rain.



Keep hands away.



Do not dispose of batteries in rivers or immerse in water.



Do not dispose of batteries in a fire. They will explode and cause injury.



Ni-Cd

Contains NI-CD battery. Battery must be recycled or disposed of properly.



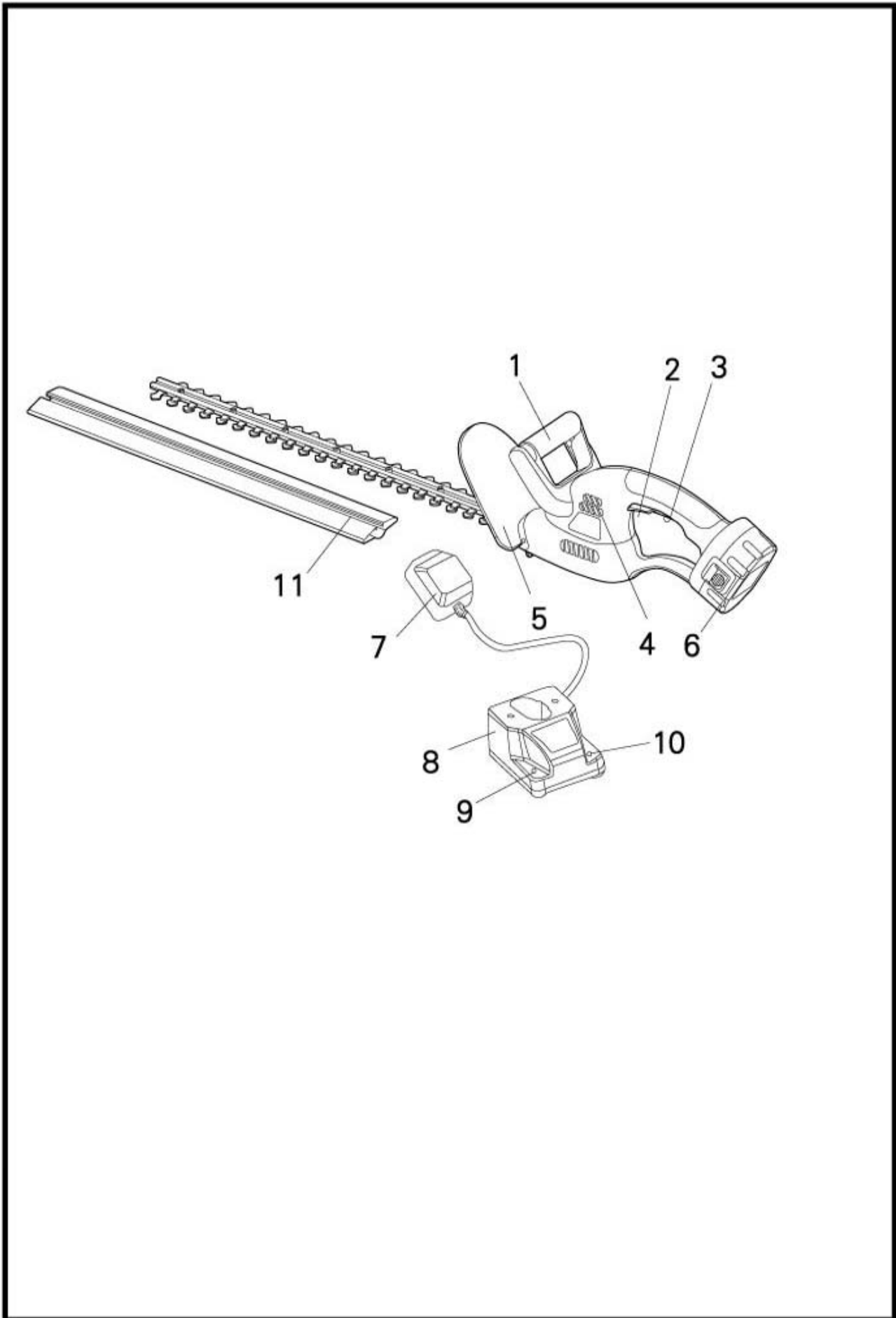
Ni-Cd

Do not dispose of batteries. Return exhausted batteries to your local collection or recycling point.



Waste electrical products should not be disposed of with household waste. Please recycle where facilities exist. Check with your Local Authority or retailer for recycling advice.

# ORIGINAL INSTRUCTIONS



## ORIGINAL INSTRUCTIONS

- 
1. Front Handle

---

  2. Trigger Switch

---

  3. Lock-Off Button

---

  4. Ventilation Slots

---

  5. Guard

---

  6. Battery Pack

---

  7. Adapter

---

  8. Charge Station

---

  9. Charging Indicator

---

  10. Power Indicator

---

  11. Blade Sheath
-

# ORIGINAL INSTRUCTIONS

## OPERATION INSTRUCTIONS



Note: Before using the tool, read the instruction book carefully.

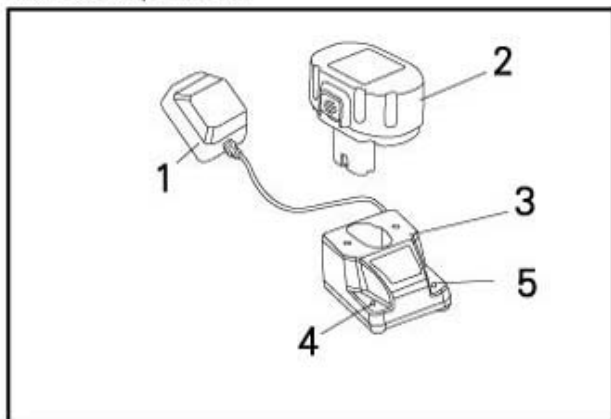
## CHARGING THE BATTERY (FIG. A)



### WARNING!

The charger and battery pack are specifically designed to work together so do not attempt to use any other devices. Never insert or allow metallic objects into your charger or battery pack connections because an electrical failure and hazard will occur.

The battery needs to be charged before first use and whenever it fails to produce sufficient power on jobs that were easily done before. When charging the battery for the first time, or after prolonged storage, it will only accept an 80% charge. After several charge and discharge cycles, the battery will attain full capacity. The battery may become warm while charging, and this is normal and does not indicate a problem.



**A**

Remove the battery from the tool and insert it into the charge station (3). The battery pack will only fit into the charge in one way. Do not force. Be sure that battery is fully seated in the charger.

### 1. Charging procedure

These chargers require no adjustment and are designed to be as easy as possible to operate. Simply place your battery pack into the

receptacle of a plugged in charger and it will automatically charge the pack.

- 1). Connect the transformer (1) to the charger station (3).
- 2). Plug the transformer into an appropriate AC power outlet. The green LED (POWER) (5) lights to tell you that the charger is ready for use.
- 3). Insert the battery pack (2) into the charger, as shown in Fig A, making sure the pack is fully seated in the charger. The red LED (CHARGE) (4) lights to tell you that the battery pack is on charge.
- 4). The battery pack will be fully charged in about 3-5 hours, and the red LED will be off.

### 2. Important charging notes

Longest life and best performance can be obtained if the battery pack is charged when the air temperature is between 18-24°C. Do not charge the battery pack in a very low or very high air temperature. This is important and will prevent serious damage to the battery pack.

- 1). The charger and battery pack may become warm to touch while charging. This is a normal condition, and does not indicate a problem.
- 2). Use the charger in normal room temperatures whenever possible. To prevent overheating, do not cover the charger and do not charge battery packs in direct sunlight or near heat sources.
- 3). If the battery pack does not charge properly:
  - a) Check current at receptacle by plugging in a lamp or other appliance.
  - b) Move charger and battery pack to a location where the surrounding air temperature is approximately 18-24°C.
  - c) If charging problems persist, take or send the tool, battery pack and charger to your local service center.
- 4). The battery pack should be recharged when it fails to produce sufficient power on jobs which were easily done previously. DO NOT CONTINUE to use under these conditions. Follow the charging procedure. You may also charge a partially used pack whenever you desire with no adverse affect on the battery pack.
- 5). Under certain conditions, with the charger



## ORIGINAL INSTRUCTIONS

plugged in to the power supply, the exposed charging contacts inside the charger can be shorted by foreign material. Foreign materials of a conductive nature such as, but not limited to, steel wool, aluminum foil, or any buildup of metallic particles should be kept away from charger cavities. Always unplug the charger from the power supply when there is no battery pack in the cavity. Unplug charger before attempting to clean.

6). Do not immerse charger in water or any other liquid.



### WARNING!

Don't allow any liquid to get inside charger. Electric shock may result. To facilitate the cooling of the battery pack after use, avoid placing the charger or battery pack in a warm environment such as in a metal shed, or an uninsulated trailer.

### CAUTION!

Never attempt to open the battery pack for any reason. If the plastic housing of the battery pack breaks or cracks, return to a service center for recycling; do not put it into further use.

**NOTE:** When the charging is finished, do not leave your battery on charge continuously. This may damage the battery cells. If the battery pack is very hot you must allow it to cool first to ambient temperature and then recharging can be started. If you charge a second battery pack immediately after the first one, then the charger adapter can be overheated. Always allow at least 15 minutes rest between battery pack charging.

### WARNING:

**NEVER TO LEAVE THE BATTERY AND CHARGER UNATTENDED WHEN CHARGING THE BATTERY.**

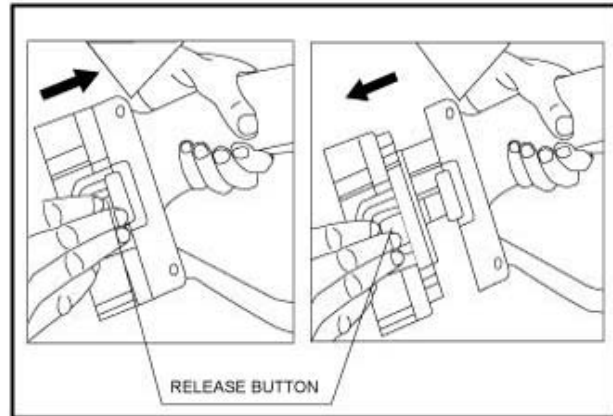
**Warning!** To avoid the short circuit of the battery pack, don't touch the battery terminals with rings and other metallic objects.

## TO REMOVE OR INSTALL BATTERY PACK (FIG. B)



### WARNING!

Before assembly, remove the battery pack from the tool.



### B

Your hedge trimmer is equipped with a battery pack, which powers the unit.

### 1. To fit battery pack

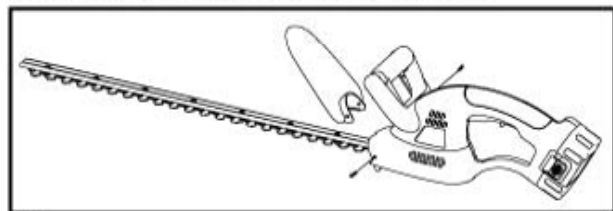
- 1). Place battery pack in your hedge trimmer. Align raised rib on battery pack with groove inside hedge trimmer. See Figure B.
- 2). Make sure the latches on each side of your battery pack snap in place and the battery pack is secured in hedge trimmer before beginning operation.

### 2. To remove battery pack

- 1). Locate latches on end of battery pack and depress to release battery pack from your hedge trimmer.
- 2). Remove battery pack from your hedge trimmer.

## FITTING THE SAFETY GUARD (FIG. C)

**NOTE:** Fit the guard on the body of the trimmer and secure with two screws.

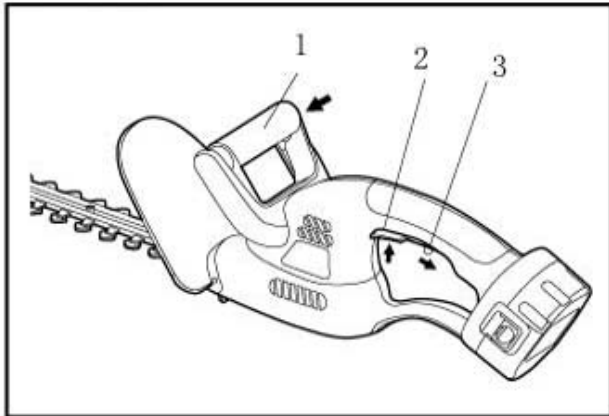


### C

# ORIGINAL INSTRUCTIONS

## SWITCH ON AND OFF (FIG. D)

**NOTE:** For your safety, this tool is equipped with a double switch system. This system prevents starting the tool inadvertently and will only allow operation while holding the tool with both hands.



**D**

### 1. Switching on

- 1). Squeeze the front handle switch (1).
- 2). Slide the lock-off button (3) backward.
- 3). Squeeze the front trigger switch (2).

### 2. Switching off

- 1). Release the front handle switch (1) or the trigger switch (2).

Never attempt to lock a switch in the on position.

### **WARNING!**

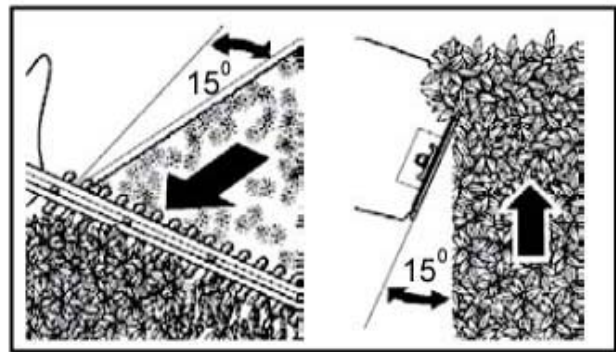
If any parts are missing, damaged or broken, do not operate your hedge trimmer until all damaged parts have been replaced or repaired. Failure to do so could result in serious personal injury.

## USING THE HEDGE TRIMMER

### **WARNING!**

Before using this hedge trimmer, make sure that you have read all of the safety instructions.

1. When trimming, the blade should be tilted towards the hedge. Always trim from the bottom upwards. (Figure E1,2)
2. Trim the sides of the hedge first and then trim the top.



**E1**

**E2**

3. If the branches are very long, they should be cut back in several stages.

4. Make sure that there are no hard objects in the hedge, such as railings, that could damage the blade.

5. If the blade becomes jammed, switch off and disconnect from the battery before clearing the obstruction.

6. Do not force the hedge trimmer to cut over sized branches. These should be cut by hand using secateurs or shears.

## CUTTING GUIDE

Seasonal hedges and shrubs that lose their leaves in the winter should be trimmed in June and October.

Evergreen hedges and shrubs that retain their leaves in the winter should be trimmed in April and August.

Conifers and other fast growing shrubs can be trimmed every six weeks from May onwards, throughout the growing season.

## CLEANING

### **WARNING!**

Before commencing these cleaning procedures or when clearing a blockage, make sure that the hedge trimmer is switched off and disconnected from the battery.

To ensure the best performance from the hedge trimmer, it must be kept clean.

Always clean the hedge trimmer immediately after use.

Never use water for cleaning your hedge trimmer. Do not clean with chemicals, including petrol, or solvents as this can damage your hedge trimmer.

Do not allow cuttings and other debris to become dry and hard on any of the hedge

## ORIGINAL INSTRUCTIONS

trimmer surfaces. This will directly affect the cutting performance.

Make sure that the blade is kept clean of all cuttings and other debris.

Take extra care to clean the cooling vents.

### STORAGE

Make sure that the hedge trimmer has been thoroughly cleaned before storing it in a clean dry place out of the reach of children.

Always fit the transportation blade guard when storing the hedge trimmer.

### TROUBLESHOOTING

Although your new cordless hedge trimmer is really easy to operate, if you do experience problems, check the following:

1. If trimmer will not operate
  - Check battery pack assembly;
  - Charge the battery: operation of the hedge trimmer is dependent upon sufficient charge in the battery pack.
2. If the battery will not charge
  - Check to see if the battery is properly inserted into the charger base, and make sure the indicator light is on, if not check the power supply to the socket used for charger plug.
3. If the trimmer is not cutting properly
  - Check the condition of the blades, if the blade is blunt or damaged have them repaired by a qualified service agent.
4. If a fault is suspected return the trimmer to an authorized dealer to repair.

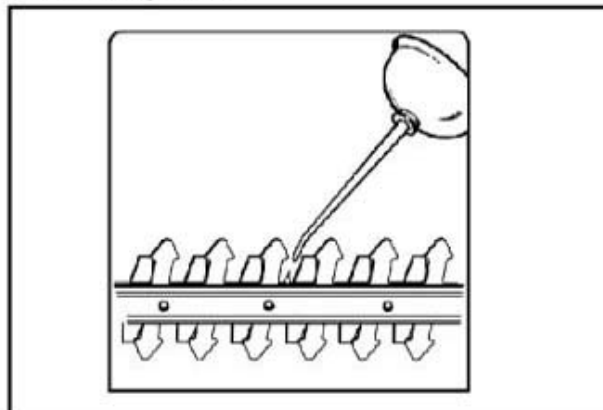
**NOTE:** There are no user serviceable parts in the trimmer.

### TECHINICAL DATA

<b>Model No.</b>	<b>M0E-ET-410</b>
<b>Voltage</b>	<b>18VDC</b>
<b>Blade strokes(no load)</b>	<b>1400 /min</b>
<b>Blade length</b>	<b>460 mm</b>
<b>Cutting length</b>	<b>410 mm</b>
<b>Blade gap</b>	<b>14 mm</b>
<b>Blade brake time</b>	<b>&lt;1s</b>
<b>Battery capacity</b>	<b>1300 mAh</b>
<b>Machine weight</b>	<b>2.77 kg</b>
<b>Battery charging time</b>	<b>3-5 hours</b>

### MAINTENANCE


For easier operation and longer life, lubricate the cutting blades before and after each use. Before lubricating, make sure your hedge trimmer is disconnected from the battery. Apply the oil so that it runs between the two blades. (Figure F)



**F**

## ORIGINAL INSTRUCTIONS

### NOISE AND VIBRATION DATA

<b>A weighted sound pressure</b>	<b>80dB(A) K<sub>PA</sub>: 3dB(A)</b>
<b>A weighted sound power</b>	<b>94dB(A) K<sub>WA</sub>: 3dB(A)</b>
<b>Wear ear protection</b>	
<b>Typical weighted vibration</b>	<b>1.7m/s<sup>2</sup> K=1.5m/s<sup>2</sup></b>

#### **WARNING!**

The vibration emission value during actual use of the power tool can differ from the declared value depending on the ways in which the tool is used dependant on the following examples and other variations on how the tool is used:

How the tool is used and the materials is cut or drilled.

The tool being in good condition and well maintained.

The use the correct accessory for the tool and ensuring it is sharp and in good condition.

The tightness of the grip on the handles and any anti vibration accessories are used.

And the tool is being used as intended by its design and these instructions.

**This tool may cause hand vibration syndrome if tie use is not adequately managed.**

#### **WARNING!**

To be accurate, an estimation of exposure level in the actual conditions of use should also take account of all parts of the operating cycle such as the times when the tool is switched off and when it is running idle but not actually doing the job. This may significantly reduce the exposure level over the total working period.

Help to minimize your vibration exposure risk.

Maintain this tool in accordance with these instructions and keep well lubricated (where appropriate).

If the tool is to be used regularly then invest in anti vibration accessories.

Plan your work schedule to spread any high vibration tool use across a number of days.

### ENVIRONMENTAL PROTECTION



Waste electrical products should not be disposed of with household waste. Please recycle where facilities exist.

Check with your Local Authority or retailer for recycling advices.

## ORIGINAL INSTRUCTIONS

### **GUARANTEE**

This product is selected for DOMESTIC USE ONLY and not for business use. This product is guaranteed against manufacturing defects for a period of 12 months. This does not cover the product where the fault is due to misuse, abuse, use in contravention of the instructions, or where the product has been the subject of unauthorised modifications or alterations, or has been the subject of commercial use. In the event of a problem with the product within the guarantee period please return it to your nearest Homebase store. If the item is shown to have an inherent defect present at the time of sale, the store will provide you with a replacement. Your statutory rights remain unaffected.