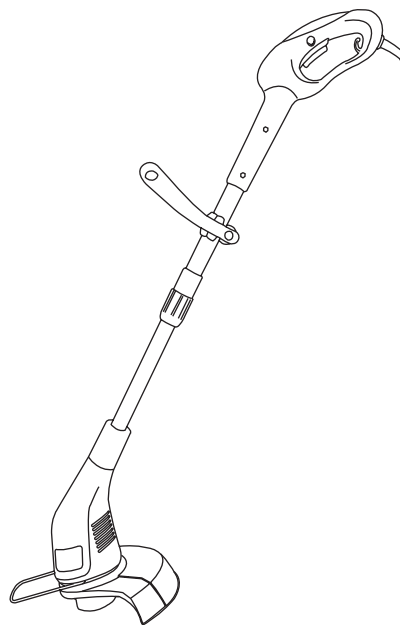


SOVEREIGN 350W Electric Grass Trimmer

Assembly Manual

N1F-GT-250/350-B



SOVEREIGN

Important - Please read these instructions fully before starting assembly

These instructions contain important information that will help you get the best from your electric grass trimmer, ensuring it is assembled correctly and safely.
If you need help or have damaged or missing parts, call the Customer Helpline on **01904 727503** prior to returning product to store.

Sep 2014 Rev B

Contents

Safety Information.....	3
Warning Symbols.....	3
General Safety.....	3
Personal Safety	3
In the Box	4
Parts.....	4
Assembly.....	5
Assemble the guard.....	5
Assemble the front handle.....	6

Safety Information

Important - Please read these instructions fully before starting assembly

Warning Symbols

The following warning symbols appear throughout this assembly manual and indicate the appropriate safety measures you should take when assembling and operating the grass trimmer.



This symbol indicates there is a danger of serious personal injury or death if you do not observe the warning.



This symbol indicates that there is a danger of damaging your hands if you do not wear thick, protective gloves.

General Safety



WARNING! Keep this assembly manual in a safe place for future reference.



WARNING! Always ensure anyone intending to operate this grass trimmer is fully conversant with the content of this assembly manual prior to assembling, maintaining or operating the grass trimmer.



WARNING! Perform assembly operations described in this manual. Failure to observe this warning may lead to serious injury, death, or damage to the grass trimmer.



WARNING! Always take care when removing the packaging to prevent damage to you or to the grass trimmer.



IMPORTANT! Before assembling the grass trimmer, check all the parts indicated in the manual are in the box. Inspect all the parts for signs of damage. Do not assemble the grass trimmer if you observe any damaged components.

Personal Safety



WARNING! Only operate the grass trimmer if you are wearing the correct Personal Protective Equipment (PPE) as described in the following warnings.



WARNING! Always wear suitable gloves when operating grass trimmer to protect your hands from flying debris and/or sharp objects.

Intend Use

1. The product is intended for cutting grass and similar soft vegetation and for trimming grass edges in private and hobby garden areas which are not accessible with a lawn mower.
2. This product is intended for private use only, not for any commercial applications. It may not be used for any purposes other than those described.
3. Attachments and safety guards must be used according to the respective functions and in accordance with this instruction manual.
4. This product is not intended for use by persons (including children) with reduced physical, sensory or mental capabilities, or lack of experience and knowledge, unless they have been given supervision or instruction concerning use of the product by a person responsible for their safety.
5. Children should be supervised to ensure that they do not play with the product.

In the Box

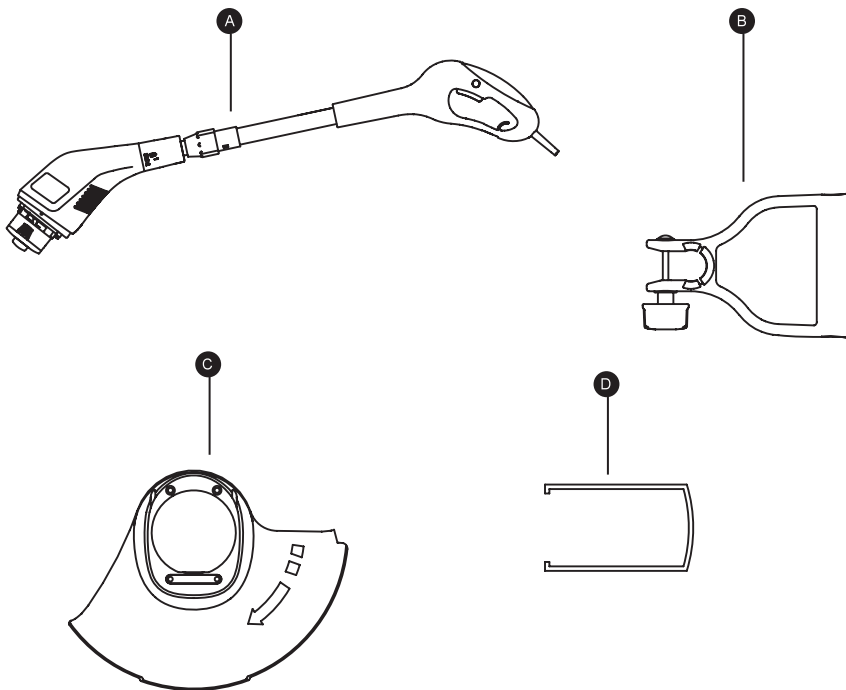
Parts

A Main unit

B Front handle

C Guard

D Plant protection guard



Assembly

Preparing to Assemble the Grass trimmer



WARNING! Always take care when removing the packaging to prevent damage to you or to the grass trimmer.



IMPORTANT! Before assembling the grass trimmer, check all the parts indicated in the manual are in the box. Inspect all the parts for signs of damage. Do not assemble the grass trimmer if you observe any damaged components.

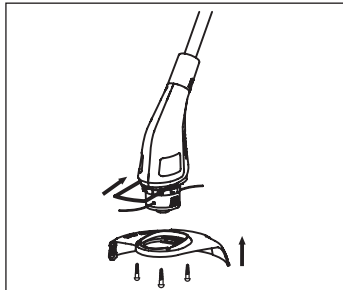
1. Remove all parts of the electric grass trimmer from the box and carefully remove all packaging. Take care not to lose any instructions which may be affixed to the parts. These provide important information which will be required while assembling the electric grass trimmer.

2. Keep all packaging until the electric grass trimmer is fully assembled and has been operated successfully.



NOTE! Always recycle the packaging in accordance with local recycling schemes.

Step 1- Assemble the guard



1. Insert the flower guard into the slot on the motor housing.
2. Insert the safety guard into the slot on the motor housing.
3. Tighten the guard with screw.



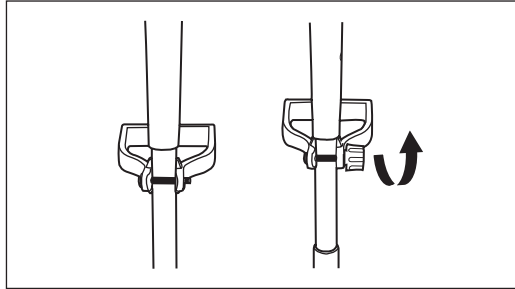
WARNING! The guard must be properly installed. The guard provides partial protection from the risk of thrown objects to the operator and others.



NOTE: If guard is not properly installed, damage to unit (including motor failure) will result.

Assembly

Step 2- Assemble the front handle

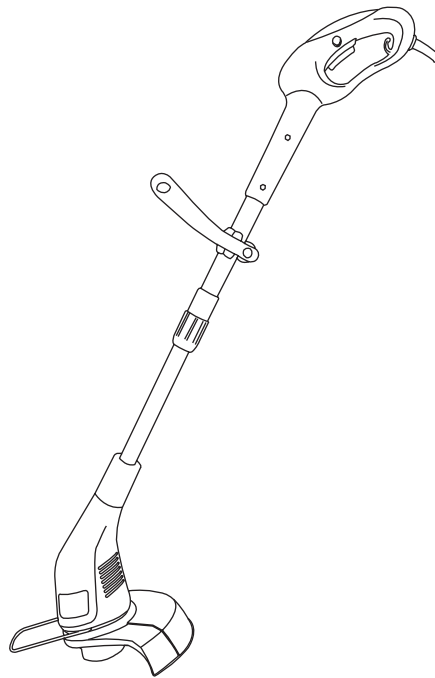


1. Turn the handle knob and draw out the bolt from the front handle.
2. Insert the front handle in the machine handle.
3. Adjust the front handle to a proper position.
4. Insert the bolt and handle knob, then turn the handle knob lightly tighten.

SOVEREIGN 350W Electric Grass Trimmer

Operation and Maintenance Manual

N1F-GT-250/350-B



SOVEREIGN

Important - Please read these instructions fully before operating or maintaining your grass trimmer.

These instructions contain important information that will help you get the best from your electric grass trimmer, ensuring it is assembled correctly and safely.

If you need help or have damaged or missing parts, call the Customer Helpline on **01904 727503** prior to returning product to store.

Sep 2014 Rev B

Contents

Safety Information	3
Warning Symbols.....	3
General Safety.....	5
Preparation	5
Work Area Safety.....	5
Personal Safety.....	6
Electrical Safety	6
Operation	7
Maintenance and Storage	8
Service	8
Preparing to Operate the Grass trimmer	9
Step 1 Adjusting the pole length.....	9
Step 2 Connection to the power supply	9
Operating the Grass trimmer	11
Step 1 Switch on/off.....	11
Step 2 Operating the edging switch	11
Cutting.....	12
Maintenance and Repair.....	12
General.....	12
To manually feed the line	12
To remove the cutting head cover.....	13
Refitting the spool cap.....	13
To fit spool and line completely	13
To fit nylon line only	14
Storage and Transportation	15
Storage.....	15
Transportation	15
Troubleshooting	15
Technical Data.....	16
Recycling and Disposal.....	17
Plug Replacement.....	17
Guarantee	18
Declaration of Conformity	19

Safety Information

Important - Please read these instructions fully before operating or maintaining

Warning Symbols

The following warning symbols appear through this manual and indicate the appropriate safety measures you should take when operating and maintaining the hedge trimmer.



Warning.



Read the instruction manual.



Conforms to all relevant safety standards.



Wear eye protection

Wear ear protection.



Wear gloves protection.



Wear foot protection.



Do not expose to rain.



Keep bystanders away. Thrown objects can cause serious injury.



WARNING! Remove plug from the mains immediately if the cable is damaged or cut .

Safety Information

Important - Please read these instructions fully before operating or maintaining

Warning Symbols



Double insulation.



SWITCH OFF! Remove plug from mains before cleaning or maintenance



WARNING! Keep all personnel, particularly children and domestic animals, at a safe distance when using this grass trimmer.



Electric Tool Disposal! In accordance with European Directive 2002/96/EC on waste electrical and electronic equipment and its implementation in national law, Electric tools are collected separately and recycled environmentally. Take advantage of the collection facilities. Ask your local council for the collection systems. If electrical appliances are disposed of incorrectly the environment can be poisoned from the hazardous substances enter into the groundwater and entering the food chain, or flora and fauna.



Guaranteed sound power level.

Safety Information

Important - Please read these instructions fully before operating or maintaining

General Safety



WARNING! Keep this operating and maintenance manual in a safe place for future reference.



WARNING! Read the instructions carefully. Be familiar with the controls and the proper use of the equipment.



WARNING! Never allow children or people unfamiliar with these instructions to use the grass trimmer. Local regulations can restrict the age of the operator.



WARNING! Never trim while people, especially children, or pets are nearby. Keep in mind that the operator or user is responsible for accidents or hazards occurring to other people or their property.



WARNING! This appliance is not intended for use by people (including children) with reduced physical, sensory or mental capabilities, or lack of experience and knowledge, unless they have been given supervision or instruction concerning use of the appliance by a person responsible for their safety.



WARNING! Do not touch the reciprocating blades.

Preparation

a) **THIS MACHINE CAN CAUSE SERIOUS INJURIES.** Read the instructions carefully for the correct handling, preparation, maintenance, starting and stopping of the appliance. Be familiar with the controls and the proper use of the appliance. Read and understand the operator's manual and observe the warnings and instruction labels attached to the appliance.

b) **Users.** Never allow children or people unfamiliar with these instructions to use the appliance. Local regulations may restrict the age of operator. Never operate the tool under the influence of alcohol, medication or drugs.

c) **Use appropriate tool.** This device is only intended for trimming grasses, bushes and shrubs and only designated for use on private property. Do not force small tools or attachments to do the job of a heavy duty tool.

Work Area Safety

a) **Keep work areas clean.** Cluttered areas and benches can cause accidents.

b) **Consider work area environment.** Do not expose your tool to high humidity or rain. Do not use your tool in damp and wet conditions. Keep the work area well lit.

c) **Keep all bystanders, children, and pets at least 50 feet away.** The operator or user is responsible for accidents or hazards occurring to other people or the property.

d) **Do not operate power tools in explosive atmospheres, such as in the presence of flammable liquids, gases or dust.** Power tools create sparks which may ignite the dust or fumes.

Safety Information

Important - Please read these instructions fully before operating or maintaining

Personal Safety

- a) **Use personal protective equipment(PPE). Always wear eye protection. Protective equipment such as dust mask, non-skid safety shoes, hard hat, or hearing protection used for appropriate conditions will reduce personal injuries.**
- b) **Dress appropriately.** Do not wear loose clothing or jewelry, as these can be caught in moving parts. Preferably wear non-slip footwear when working outdoors. Wear protective hair covering to keep long hair out of the way.
- c) **Stay alert, watch what you are doing and use common sense when operating a power tool.** Do not use a power tool while you are tired or under the influence of drugs, alcohol or medication. A moment of inattention while operating power tools may result in serious personal injury.
- d) **Prevent unintentional starting.** Ensure the switch is in the off-position before connecting to power source and/or battery pack, picking up or carrying the tool. Carrying power tools with your finger on the switch or energising power tools that have the switch on invites accidents.
- e) **Remove any adjusting key or wrench before turing the power tool on.** A wrench or a key left attached to a rotating part of the power tool may result in personal injury.
- f) **Do not overreach. Keep proper footing and balance at all times.** This enables better control of the power tool in unexpected situations.

Electrical Safety

- a) **Power tool plugs must match the outlet.** Never modify the plug in any way. Do not use any adapter plugs with earthed (grounded) power tools. Unmodified plugs and matching outlets will reduce risk of electric shock.
- b) **Avoid body contact with earthed or grounded surfaces, such as pipes, radiators, ranges and refrigerators.** There is an increased risk of electric shock if your body is earthed or grounded.
- c) **Do not expose power tools to rain or wet conditions.** Water entering a power tool will increase the risk of electric shock.
- d) **Do not abuse the cord.** Never use the cord for carrying, pulling or unplugging the power tool. Keep cord away from heat, oil, sharp edges or moving parts. Damaged or entangled cords increase the risk of electric shock.
- e) **When operating a power tool outdoors, use an extension cord suitable for outdoor use.** Use of a cord suitable for outdoor use reduces the risk of electric shock.

Safety Information

Important - Please read these instructions fully before operating or maintaining

Operation

- a) **Be certain the parts are fully tightened before operating the tool.** Check it periodically for tightness during use to avoid serious injury.
- b) **Risk of cut.** Do not touch or try to stop the cutting lines when they are moving.
- c) **Disconnect the plug.** Disconnect plug from the tool when not in use or when servicing or cleaning.
- d) **Check for damaged parts.** Before further use, carefully check the tool for damage. Check for alignment of moving parts, binding of moving parts, breakage of parts, mounting and any other condition that may affect its operation.
- e) **Do not use the tool if any parts are damaged or defective.** Have any damaged or defective parts repaired or replaced by an authorized service agent. Never attempt any repairs yourself.
- f) **Grip the tool securely.** Operator should one hand on the main handle, the other on the rear handle. Keep finger off trigger until ready to use.
- g) **Keep handle dry, clean and free from oil and grease.** Slippery handles do not allow for safe handling and control of the tool in unexpected situations.
- h) **Keep cable away from cutting area.** During operation the cable may be hidden in shrubs and can be accidentally cut by the blade.
- i) **Carry the grass trimmer by the handle with the cutting line stopped .** Proper handling of the grass trimmer will reduce possible personal injury from the rotating cutting lines or sharp edges of tool.
- j) **Do not start the grass trimmer without the safety guard fitted.**
- k) **Do not force the power tool.** Use the correct power tool for your application. The correct power tool will do the job better and safer at the rate for which it was designed.
- l) **Do not use the power tool if the switch does not turn it on and off.** Any power tool that cannot be controlled with the switch is dangerous and must be repaired.
- m) **Disconnect the plug from the power source before making any adjustments, changing accessories, or storing power tools.** Such preventive safety measures reduce the risk of starting the power tool accidentally.
- n) **The use of a residual current device R.C.D with a tripping current of not more than 30mA is recommended.**



Safety Information

Important - Please read these instructions fully before operating or maintaining

Maintenance and Storage

a) **Maintain tools with care.** Keep tools clean and in good condition for better and safer performance. Follow the instructions for maintenance and changing accessories. Keep handles and switches dry, clean and free from oil and grease.

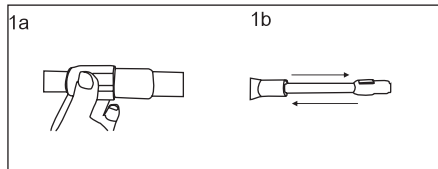
b) **Store idle power tools out of the reach of children and do not allow persons unfamiliar with the power tool or these instructions to operate the power tool.** Power tools are dangerous in the hands of untrained users.

Service

a) **Have your tool repaired by an authorized service agent.** This tool is manufactured in accordance with the relevant safety regulations. To avoid danger, electrical appliances must only be repaired by qualified technicians.

Preparing to Operate the Grass trimmer

Step 1-Adjusting the pole length



WARNING! Always wear safety gloves when doing any work on the grass trimmer.

WARNING! Always unplug the power cord from the power source before doing any work on the grass trimmer.



NOTE! The telescopic tube enables you to adjust the trimmer to your height.

1a. Loosen the knob in the direction indicated by the unlock sign-adjust the tube length to your desire.

1b. Secure the knob.

Step 2 - Connection to the power supply



WARNING! Read all of the instructions of this manual before attempting to connection the power supply for your tool.



WARNING! If the insulation on a power cable or extension lead is found to be cut or damaged, do not touch it! Disconnect the power supply immediately and have the damaged cable replaced by authorised service agent .



WARNING! If operating the appliance in a damp location is unavoidable, use a residual current device(RCD) protected supply. Use of an RCD reduces the risk of electric shock.



WARNING! Use only extension cords suitable for outdoor use, preferably with a high visibility cable colour. Always unwind all extension cables fully, coiled cables can overheat and reduce the efficiency of your product.



NOTE! For extension cables up to 15metres, use a wire cross section of 1.5mm². For extension cables over 15 meters but less than 40 meters, use a wire cross section of 2.5 mm²



WARNING! This product is designed to operate on 230-240 VAC 50Hz.The voltage and current must comply with the information on the ratings label!



NOTE! This grass trimmer is fitted with a non-rewireable plug. If it is necessary to change the fuse in the plug, the fuse cover becomes lost or damaged, the plug must not be used until a suitable replacement is obtained.



WARNING! A 13amp fuse must be fitted.

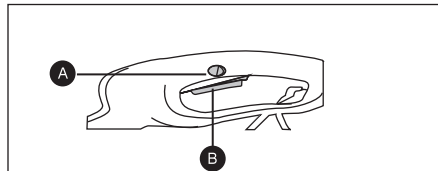
Preparing to Operate the Grass trimmer

Step 2 - Connection to the power supply (continued)

- 1). Make sure the on/off switch is in its off position.
- 2). Double the extension cord, about a foot from the end. Lead the loop through the hole on the rear handle and hook the loop over the cord hook. Gently pull on the cord to ensure that it is firmly attached at the handle.
- 3). Connect the plug to main power supply.

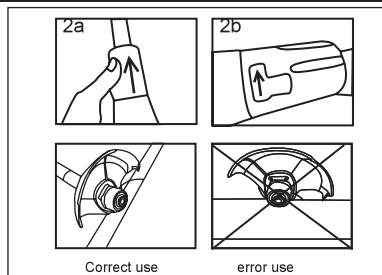
Operating the Grass trimmer

Step 1-Switch on /off



- 1). Make sure the on/off switch is in its off position.
- 2). Double the extension cord, about a foot from the end. Lead the loop through the hole on the rear handle and hook the loop over the cord hook. Gently pull on the cord to ensure that it is firmly attached at the handle.
- 3). Connect the plug to main power supply.

Step 2-Operating the edging switch



WARNING! Always wear safety gloves when doing any work on the grass trimmer.

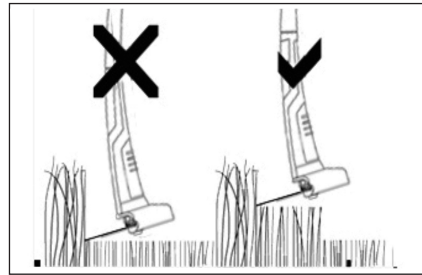
WARNING! Always unplug the power cord from the power source before doing any work on the grass trimmer.

NOTE! This grass trimmer can be set to edge trimming for better cutting performance.

Pull the edging switch away from the motor housing as indicated by (2a), then rotate 180 degrees as indicated by (2b) to the edge cutting mode.

Operating the Grass trimmer

Cutting



Warning! Do not cut moist or wet grass.

Before starting the trimmer check that cutting head will not come into contact with stones, rubble or other foreign bodies.



Warning! Switch on the trimmer before you approach the grass that is to be cut.



Always trail the extension cable behind you. Do not pass the operating trimmer over the extension cable as the cable could be damaged.



Warning! Do not overload the trimmer during the operation.

Avoid contact with obstacles (stones, walls, fence, etc.) as this will rapidly wear out the lines.



Warning! Ensure that the cutting head has stopped before you deposit the equipment on the ground.



Make sure that line is fed out before operation. Make sure motor is up to full speed before trimming.

1. Let the trimmer run for a few seconds without touching the working area, and allow the trimmer to cut the line.
2. Use the trimmer at an angle of approximately 15 degree to the working area.
3. Swing the trimmer head from side to side.
4. If the grass is very long cut in stages rather than trying to cut in one go. Do not overload your trimmer. Take small cuts this will keep machine operating at high speed and will greatly improve cutting efficiency.

Maintenance and Repair

Maintenance and Repair

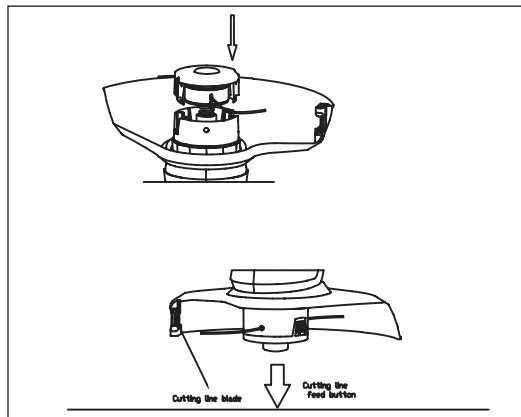


WARNING! Always switch the product off, and let the product cool down before performing inspection, maintenance and cleaning work!

General

- 1). Clean the product with a slightly damp cloth and pH-neutral soap. Use a brush for areas that are hard to reach.
- 2). In particular clean the air vents after every use with a cloth and brush.
- 3). Remove stubborn dirt with high pressure air (max. 3 bar).
- 4). Check for worn or damaged parts. Replace worn parts as necessary or contact an authorised service centre for repair before using the product again.
- 5). Regularly check for obvious defects such as loose, dislodged or damaged cutting blades, loose fixings and worn or damaged components.
- 6). Check that covers and guards are undamaged and correctly fitted. Carry out necessary maintenance or repairs before using the product.
- 7). This product does not contain any parts that can be repaired by the consumer. Contact a qualified specialist to have it checked and repaired.

To manually feed the line

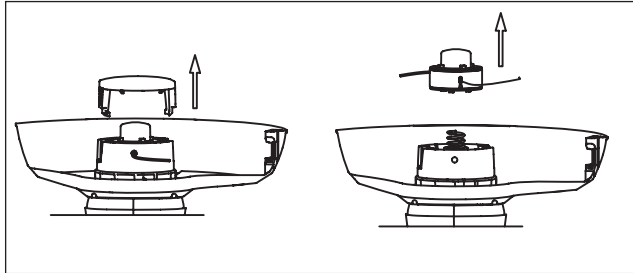


If required, line can be fed out manually.

1. Press and release manual line feed button, while gently pulling out the lines until the lines reach the line cutter.
2. When the required amount of line is fed out, gently pull on the second line (there is no need to press the manual line feed button again). If the line extends past the line cutter, too much line has been fed out.
3. If too much line is fed out, remove the spool cap and turn spool counter-clockwise until the line is at the desired length.

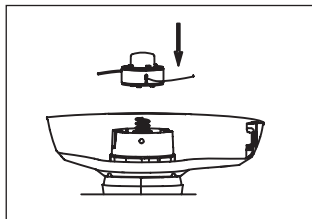
Maintenance and Repair

To remove the cutting head cover



1. Press the release latch on the spool head cover and remove cover, pulling it straight off the cutting head assembly.
2. Pull the cutting head cover away from the spool holder.

Refitting the spool cap



1. Keep all areas of the cutting head cover and spool holder clean.
2. Replace the spool head cover, pressing firmly down towards the spool holder to ensure the cover is fully located.
3. Check that the cap is correctly fitted by trying to remove it without depressing the two latches.

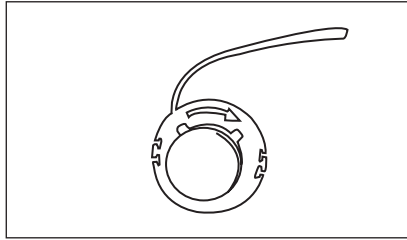
To fit spool and line completely

NOTE For your convenience it is recommended you buy spool and line completely.

1. Remove old spool.
2. Place new spool into cutting head with cut out areas of the spool in line with eyelets.
3. Release line from cleat and feed line through eyelet.
4. Refit the spool head cover.

Maintenance and Repair

To fit nylon line only

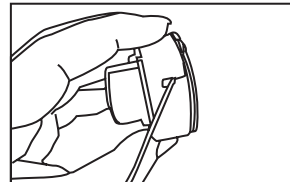
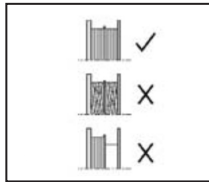
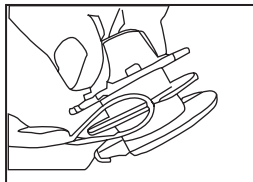


Warning! Your timmer is designed to use only line with a maximum diameter of 1.2mm, and the material of cut line is made of nylon.



NOTE! Leave approximately 100 mm of line unwound and place into cleat.

Take approximately 4m of cut nylon line Insert line into the spool holes and wind line in the direction of the arrows on the top of spool



2. Care should be taken to ensure that the line is neatly coiled on the spool. Failure to do this will impair the efficiency of the automatic line feed.

3. Then fit spool as described in (To fit spool and line complete).

Storage and Transportation

Storage

- 1). Clean the product as described above.
- 2). Store the product and its accessories in a dark, dry, frost-free, well-ventilated place.
- 3). Always store the product in a place that is inaccessible to children. The ideal storage temperature is between 10 and 30°C.
- 4). We recommend using the original package for storage or covering the product with a suitable cloth or enclosure to protect it against dust.

Transportation

- 1). Switch the product off and disconnect it from power supply before transporting it anywhere.
- 2). Always carry the product on its gripping surfaces.
- 3). Protect the product from any heavy impact or strong vibrations which may occur during transportation in vehicles.
- 4). Secure the product to prevent it from slipping or falling over.

Troubleshooting

General Troubleshooting



WARNING! Only perform the steps described within these instructions! All further inspection, maintenance and repair work must be performed by an authorised service centre or a similarly qualified specialist if you cannot solve the problem yourself!

Suspected malfunctions, disturbances or damages are often due to causes that the user can fix themselves. Therefore check the product using this section. In most cases the problem can be solved quickly.

Problem	Possible Cause	Solution
Product does not start	1. Not connected to power supply 2. Power connection is loosen 3. Other electrical defect to the product	1. Connect to power supply 2. Connect the power supply properly 3. Check with a specialist electrician
Product does not reach full power	1. Extension cord not suitable for operation with this product 2. Power source (e.g. generator) has too low voltage 3. Air vents are blocked	1. Use a proper extension cord 2. Connect to another power source 3. Clean the air vents
Unsatisfactory result	1. Line spool does not have sufficient line 2. Line has not been conducted out of the spool or only on one side	1. Lengthen cutting line or exchange spool 2. Remove spool and lace line through opening outwards and change spool

Technical Data

Technical Data Table

Property	Value
Motor voltage	230-240V ~/50Hz
Power	350W
No-load speed	12000 /min
Cutting width	250 mm
Line diameter	1.2 mm
Net weight	2 kg
Measured sound pressure level	83.8 dB(A), k=1 dB(A)
Measured sound power level	93.8 dB(A)
Protection class	II
Guaranteed sound power level	96 dB(A)
Vibration (m/s ²)	3.88 m/s ² K=1.5 m/s ²

The declared vibration value has been measured in accordance with a standard test method and may be used for comparing one tool with another. The declared vibration value may also be used in a preliminary assessment of exposure.



WARNING! The vibration emission value during actual use of the tool can differ from the declared value depending on the ways in which the tool is used. Identify safety measures to protect the operator that are based on an estimation of exposure in the actual conditions of use (taking account of all parts of the operating cycle such as the times when the tool is switched off and when it is running idle in addition to the trigger time).

The sound intensity level for the operator may exceed 85dB(A) and ear protection measures are

Recycling and Disposal

Disposal Instructions

1. Recycle unwanted materials instead of disposing of them as waste. All tools, hoses and packaging should be sorted, taken to the local recycling centre and disposed of in an environmentally safe way.
2. Recycle rather than dispose of unwanted material in landfill whenever possible. The machine must be delivered in rigid packaging to avoid damage during transportation. The packaging and the machine itself are manufactured from recyclable materials and should be disposed of accordingly.
3. Do not throw your clippings into a rubbish bin where it will be disposed of in landfill. You can dispose of clippings on your compost heap, alternating them with other garden material. The more thoroughly you chop the clippings beforehand, the more rapidly they will degrade. Alternatively, many communities provide a public collection point where you can dispose of your garden waste in an environmentally friendly manner.
4. Only dispose of electrical/electronic/battery items in separate collection schemes, which cater

Recycling and Disposal

Disposal Instructions (continued)

for the recovery and recycling of materials contained within. Your cooperation is vital to ensure the success of these schemes and for the protection of the environment.

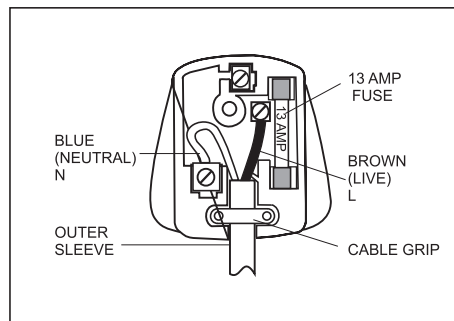
5. Recycle packaging where facilities exist.



6. This symbol is known as the Crossedout Wheelie Bin Symbol. When this symbol is marked on a product or battery, it means that it should not be disposed of with your general household waste. Some chemicals contained within electrical/electronic products or batteries can be harmful to health.

Plug Replacement

Plug Replacement



Your grass trimmer is fitted with a moulded plug. However If you need to replace a fitted plug then follow the instructions below.

IMPORTANT

The wires in the mains lead are coloured in accordance with the following code:

Blue - Neutral Brown – Live

As the colours of the wires in the mains lead of this appliance may not correspond with the coloured markings identifying the terminals in your plug, proceed as follows.

The wire which is coloured blue must be connected to the terminal which is marked with N

The wire which is coloured brown must be connected to the terminal which is marked with the letter L

If a 13AMP (BS1363/A) plug is used, a 13A fuse must be fitted, or if any other type of plug is used a 13AMP fuse must be fitted, either in the plug or adapter, or on the distribution board.

Note: If a moulded plug is fitted and has to be removed take great care in disposing of the plug and severed cable, it must be destroyed to prevent engaging into a socket. If the supply cord is damaged it must be replaced by a service agent or a similarly qualified person in order to avoid hazard.

Guarantee

Dear Customer,

In the unlikely event that your device develops a fault, please contact our Customer service department on the telephone number shown below.

1. These guarantee terms cover additional guarantee rights and do not affect your statutory warranty rights.

Claims must be accompanied by Proof of Purchase. This must be in the form of a Sales receipt or Bank statement and must show that the product has been purchased within 1 year prior to the claim, from the retailer that it was originally sold to.

2. Our guarantee covers problems caused by material or manufacturing defects, and will result in the repair of these defects or replacement of the device with a like for like or similar article. Please note that our devices have not been designed for use in commercial, trade or industrial applications. Consequently, the guarantee is invalidated if the equipment is used in commercial, trade or industrial applications or for other equivalent activities.

3. The following are also excluded from our guarantee:

- A) Faults due to accidents, customer misuse, or unauthorized repairs
- B) Consumable Parts such as Blades
- C) Failure due to lack of routine maintenance
- D) Failure as a result of not using the equipment in accordance with the manual and safety instructions
- E) The adjustment of cables, drive belts, or recoil starters

4. The guarantee is valid for a period of 1 year starting from the purchase date of the device. Guarantee claims should be submitted before the end of the guarantee period within two weeks of the defect being noticed. No guarantee claims will be accepted after the end of the guarantee period. The original guarantee period remains applicable to the device even if repairs are carried out or parts are replaced. In such cases, the work performed or parts fitted will not result in an extension of the guarantee period, and no new guarantee will become active for the work performed or parts fitted. This also applies when an on-site Service is used.

5. Please keep your sales receipt in a safe place. If the defect is covered by our guarantee your device will either be repaired under the terms of guarantee or we will send you a replacement device. This device may be re-conditioned or Like for like replacement.