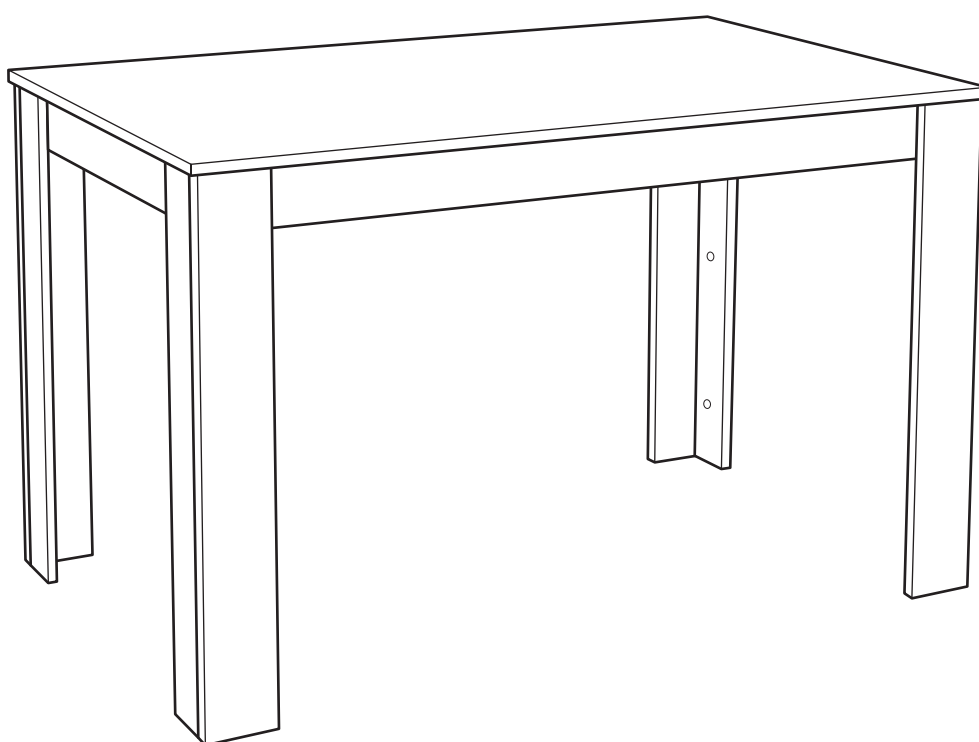


Campbell Oak Effect Dining Table

Assembly Instructions - Please keep for future reference

280/7823



Dimensions

Width - 117cm

Depth - 76.5cm

Height - 74cm

Important - Please read these instructions fully before starting assembly

If you need help or have damaged or missing parts, call the **Customer Helpline:**
Argos = 0345 640 0800



Safety and Care Advice

Important - Please read these instructions fully before starting assembly

- Check you have all the components and tools listed on the following pages.
- Remove all fittings from the plastic bags and separate them into their groups.
- Keep children and animals away from the work area, small parts could choke if swallowed.
- Make sure you have enough space to layout the parts before starting.

- During assembly do not stand or put weight on the product, this could cause damage.
- Assemble the item as close to its final position (in the same room) as possible.
- Assemble on a soft level surface to avoid damaging the unit or your floor.
- Parts of the assembly will be easier with 2 people.



- To reduce the likelihood of damaging your product please ensure that your power drill is set on a low torque setting.

- Unit weight: 22.12 kgs.

Care and maintenance

- Only clean using a damp cloth and mild detergent, do not use bleach or abrasive cleaners.
- From time to time check that there are no loose screws on this unit.
- This product should not be discarded with household waste. Take to your local authority waste disposal centre.

Handy Hints

- Assemble all parts and bolts loosely during assembly, only once the product is complete should you fully tighten the bolts.
- Regularly check and ensure that all bolts and fittings are tightened properly.

Components - Parts

If you have damaged or missing components, call the Customer Helpline: Argos = 0345 640 0800

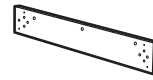
Please check you have all the parts listed below



1 Top panel
(117 x 76.5 x 1.8cm)



2 Long side panel x 2
(112.5 x 8 x 1.8cm)



3 Short side panel x 2
(68 x 8 x 1.8cm)



4L Narrow leg x 2
(72 x 8 x 1.8cm)



4R Narrow leg x 2
(72 x 8 x 1.8cm)



5L Wide leg x 2
(72 x 10 x 1.8cm)

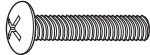
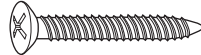

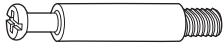

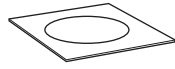

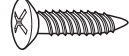


5R Wide leg x 2
(72 x 10 x 1.8cm)

Components - Fittings

Please check you have all the fittings listed below

Note: The quantities below are the correct amount to complete the assembly. In some cases more fittings may be supplied than are required.

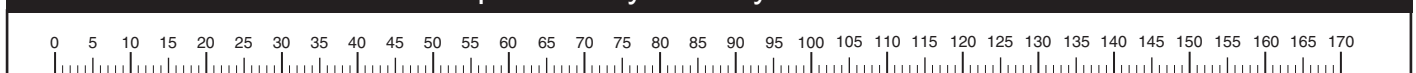
<p>A </p> <p>M6 x 25mm Bolt x 16</p>	<p>B </p> <p>30mm Screw x 24</p>	<p>C </p> <p>Dowel x 26</p>
<p>D </p> <p>Cam bolt x 26</p>	<p>E </p> <p>Cam lock x 26</p>	<p>F </p> <p>Adhesive pad x 12</p>
<p>G </p> <p>Bracket x 8</p>	<p>H </p> <p>15mm Screw x 16</p>	

Tools required



Crosshead screwdriver

Ruler - Use this ruler to help correctly identify the screws



Assembly Instructions

Step 1

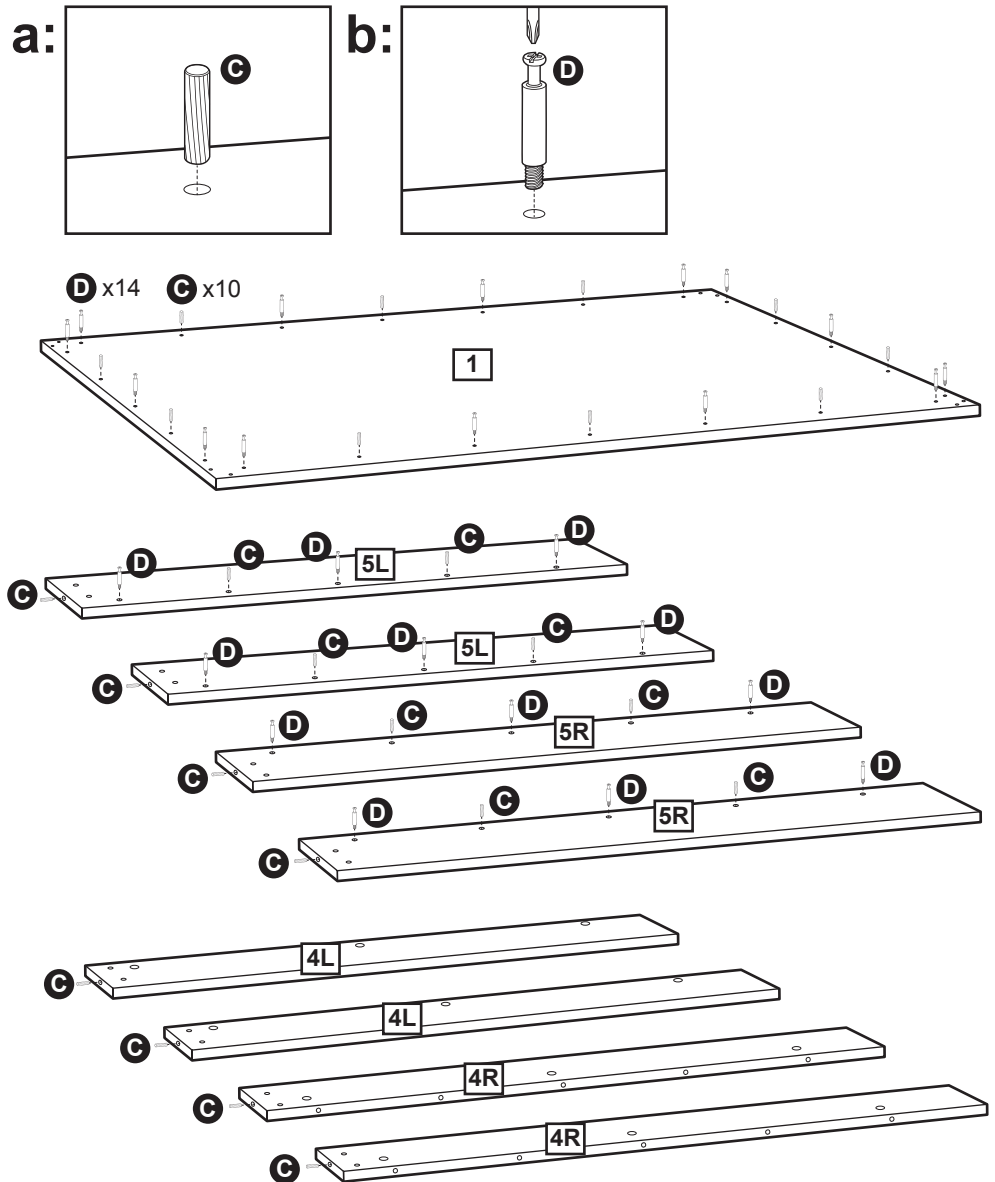
Place the panels on a flat protected surface.

a: Attaching dowels

Insert dowels **C** into holes on top panel **1** and legs **4L**, **4R**, **5L** & **5R** as shown.

b: Attaching cam bolts

Insert cam bolts **D** into holes on top panel **1** & wide legs **5L** & **5R** as shown and fix using a crosshead screwdriver.



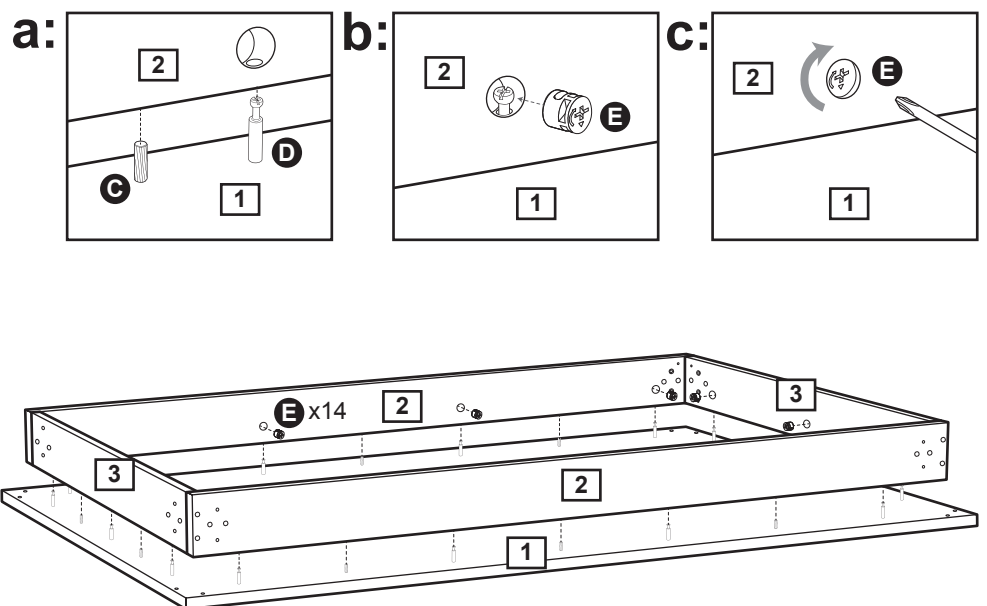
Step 2

Attaching side panels to top panel

a: Align and insert the dowels **C** and cam bolt **D** on top panel **1** into holes on the side panels **2** & **3** as shown.

b: Put the cam locks **E** into the holes on the table side panels **2** and **3** as shown.

c: Turn and fix the cam locks **E** using a crosshead screwdriver to lock.

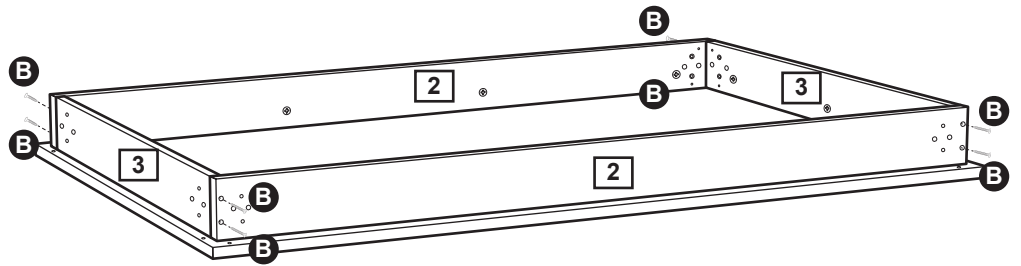
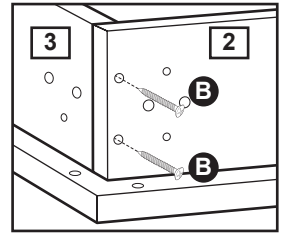


Assembly Instructions

Step 2

Securing side panels

Fix the side panels **2** & **3** using screws **B** and tighten using a crosshead screwdriver.



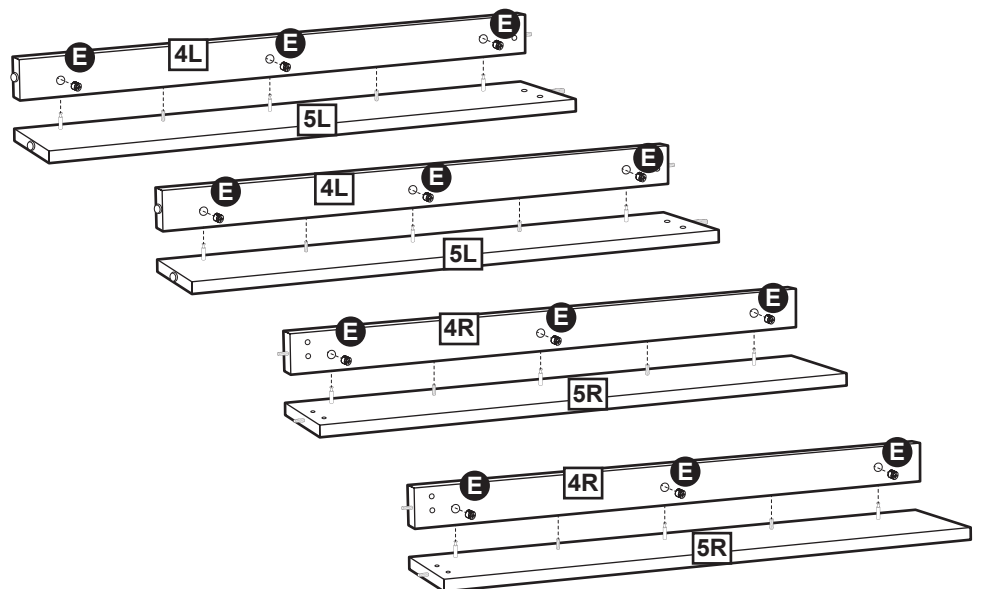
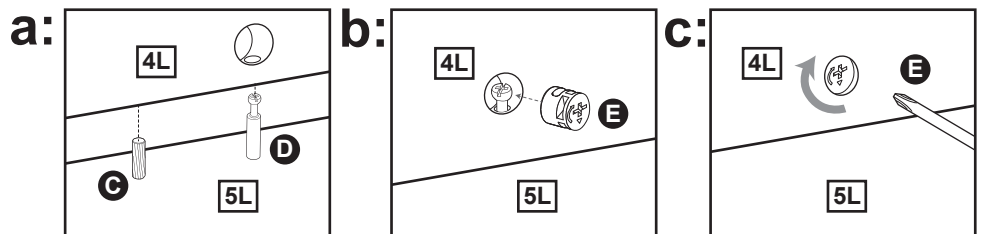
Step 3

Assembling legs

a: Align and insert the dowels **C** and cam bolt **D** on wide legs **5L** & **5R** into holes on the narrow legs **4L** & **4R** as shown.

b: Put the cam locks **E** on narrow legs **4L** & **4R** as shown.

c: Turn and fix the cam locks **E** using a crosshead screwdriver to lock.

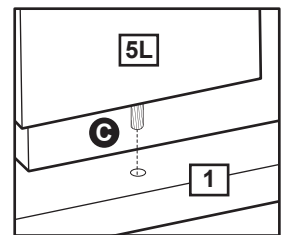
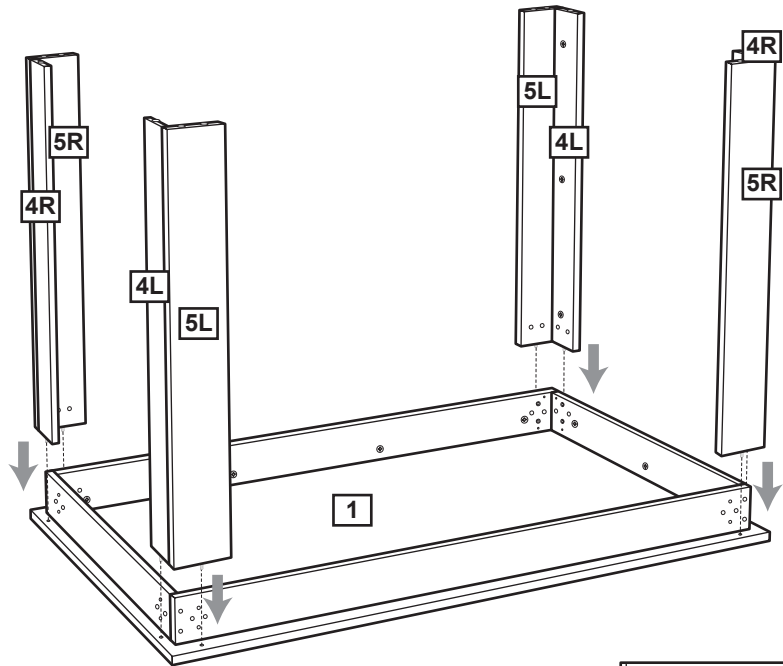


Assembly Instructions

Step 4

Attaching legs to top panel

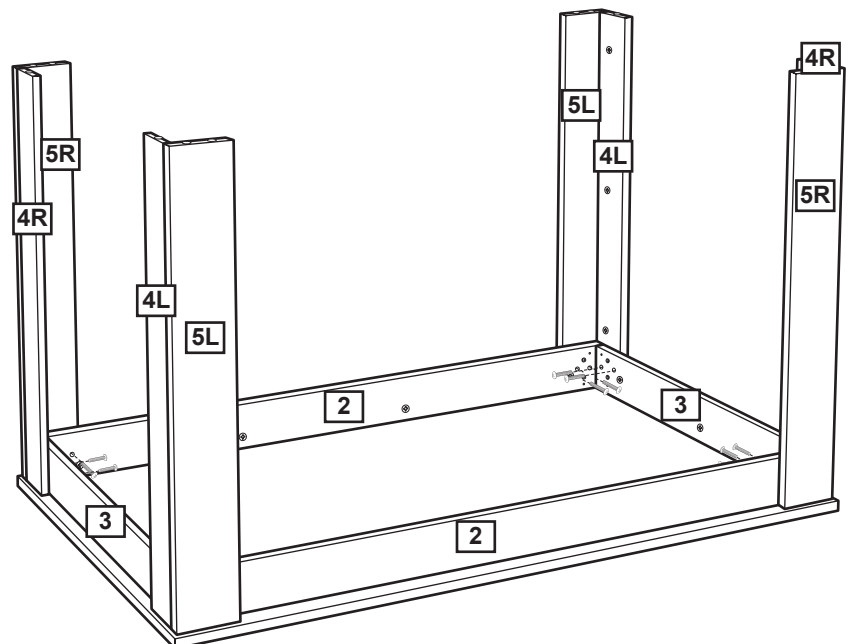
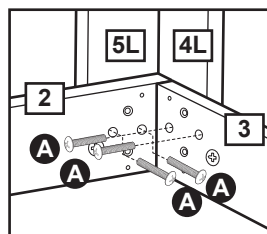
Position the assembled legs **4L**, **4R**, **5L** & **5R** as shown and align / insert the dowels **C** into holes on the top panel **1**.



Step 5

Securing legs

Fix the legs to side panels **2** & **3** as shown using bolts **A** and tighten using a crosshead screwdriver.

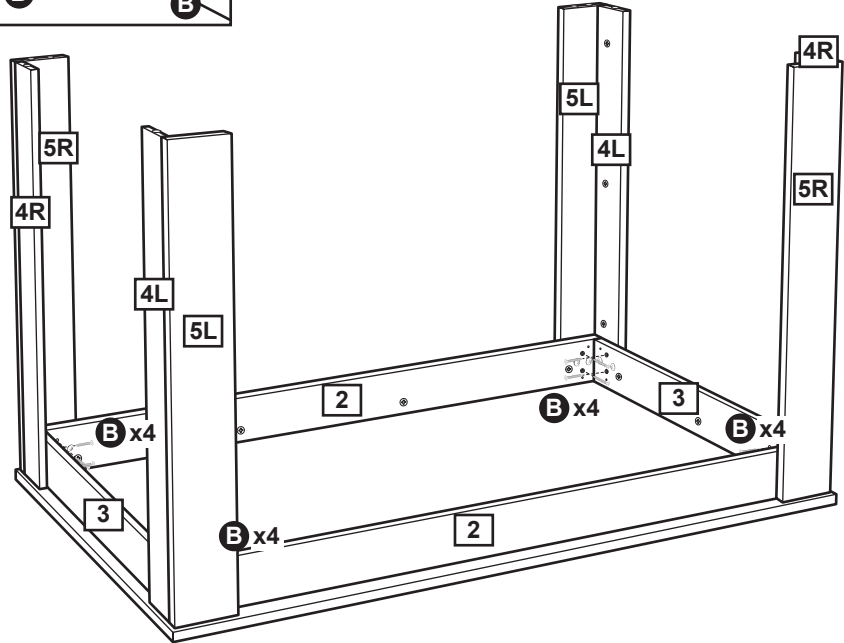
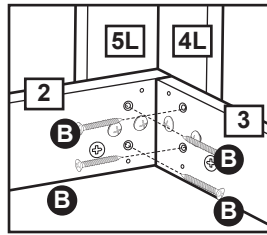


Assembly Instructions

Step 6

Securing legs with screws

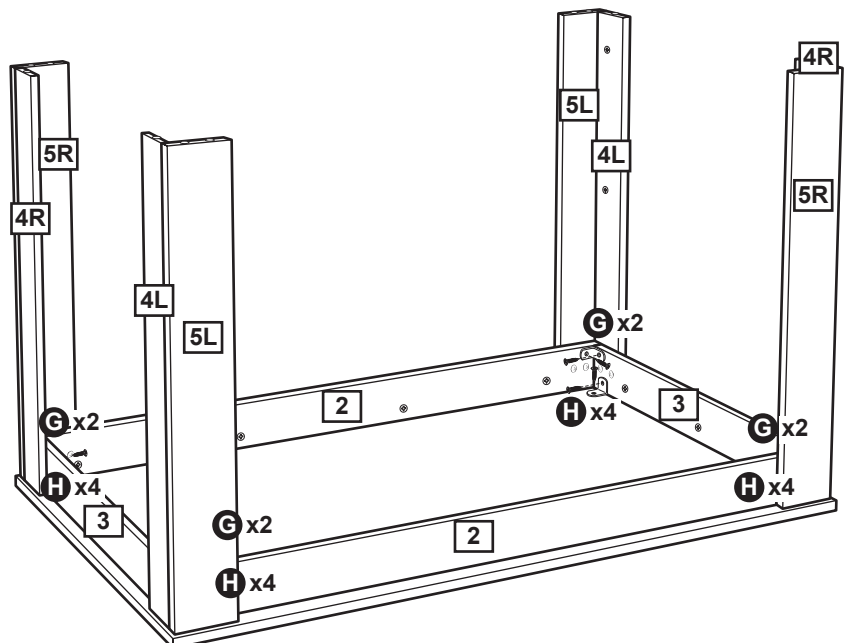
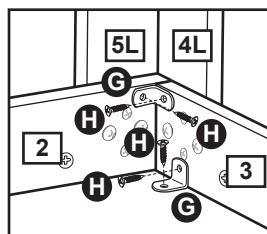
Fix the legs to side panels **2** & **3** as shown using screws **B** and tighten using a crosshead screwdriver.



Step 7

Securing side panels

Position brackets **G** to side panels **2** & **3** as shown and fix with screws **H**. Then tighten screws using a crosshead screwdriver.

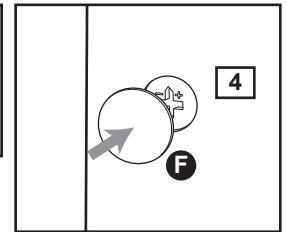
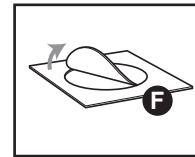
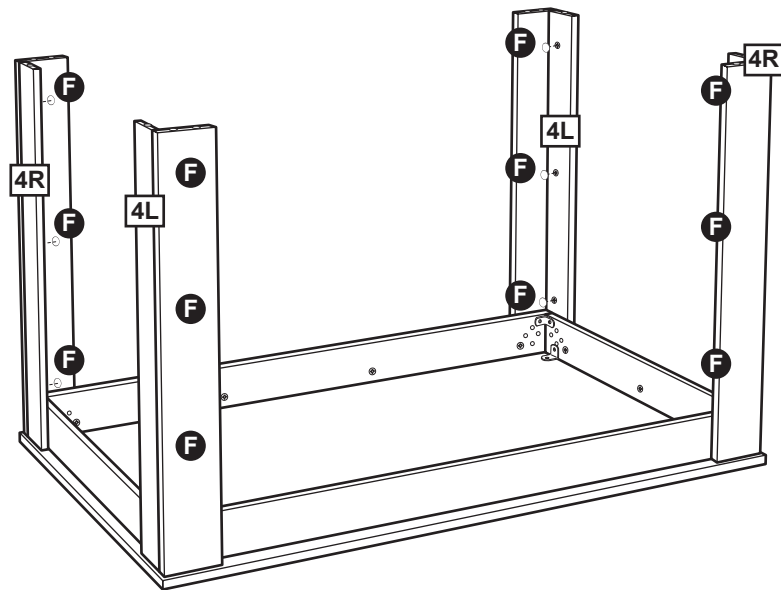


Assembly Instructions

Step 8

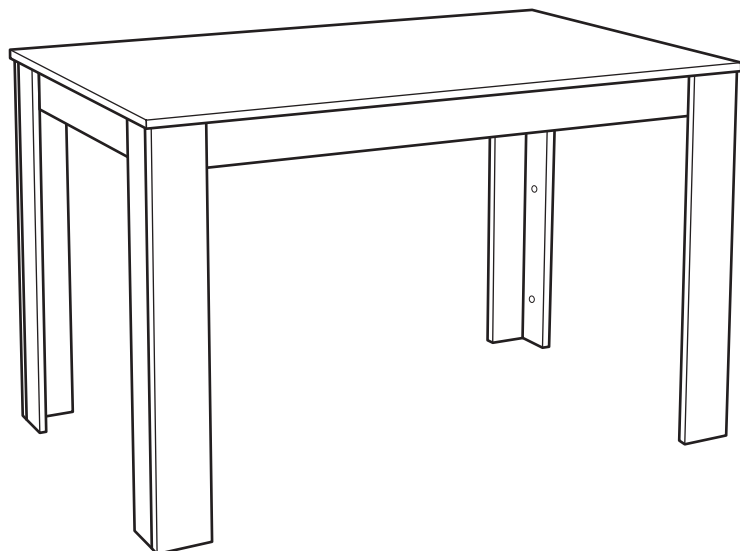
Attaching adhesive pads

Remove backing from adhesive pads **F** then paste it on the legs **4L** & **4R** to cover the cam locks **E**.



Carefully turn over the unit.

Note: At least two persons are required to lift the unit.



Assembly is complete.

If you need help or have damaged or missing parts, call the **Customer Helpline:**
Argos = 0345 640 0800