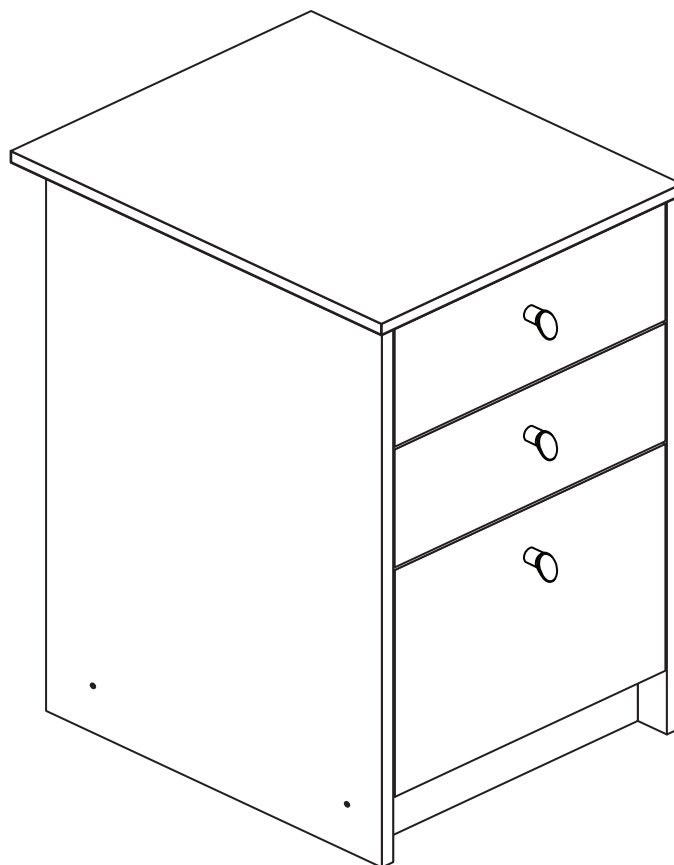


Malibu - 3 Drawer Filer

Assembly Instructions - Please keep for future reference

279/6288

258/3422



Dimensions

Width - 40cm

Depth - 49cm

Height - 72.5cm



**MADE IN
BRITAIN**

Important - Please read these instructions fully before starting assembly

If you need help or have damaged or missing parts, call the **Customer Helpline: 08456 400800**



Safety and Care Advice

Important - Please read these instructions fully before starting assembly

- **Warning:** This unit weighs approximately 17kgs. Please lift with care.
- Check you have all the components and tools listed on pages 1, 2 and 3.
- Remove all fittings from the plastic bags and separate them into their groups.
- Keep children and animals away from the work area, small parts could choke if swallowed.
- Parts of the assembly will be easier with 2 people.

- Make sure you have enough space to layout the parts before starting.
- Do not stand or put weight on the product, this could cause damage.
- Assemble the item as close to its final position (in the same room) as possible.
- Assemble on a soft level surface to avoid damaging the unit or your floor (use opened out unit carton).



• We do not recommend the use of power drill/drivers **for inserting screws**, as this could damage the unit. Only use hand screwdrivers.

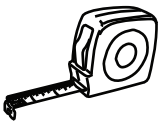
• **Safety note:** If there is any chance of this unit being pulled over by children etc. it is recommended that the unit is secured to a wall using suitable fixings (not supplied).

• Dispose of all packaging carefully and responsibly.

Care and maintenance

- Only clean using a damp cloth and mild detergent, do not use bleach or abrasive cleaners.
- From time to time check that there are no loose screws on this unit.
- This product should not be discarded with household waste. Take to your local authority waste disposal centre.

Tools required



Rule



Cross-head screwdriver



Scissors



Hammer



Eye protection (when using a hammer or drill)



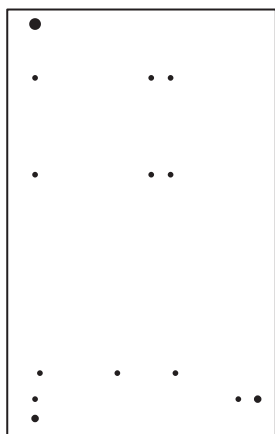
Electric drill (only use when drilling into walls)

Note: If required the next page can be cut out and used as reference throughout the assembly. Keep this page with these instructions for future reference.

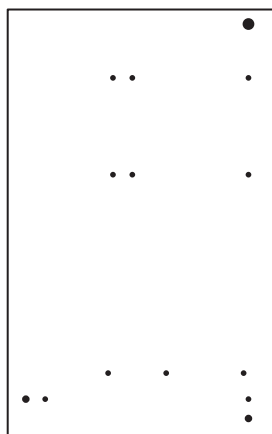
Components - Panels

If you have damaged or missing components, call the
Customer Helpline: 08456 400800 quoting the reference
numbers below

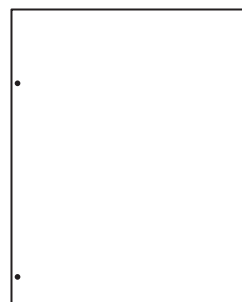
Please check you have all the panels listed below



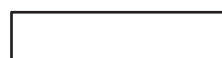
1 Left Side (D2793A)
(706 x 444mm)



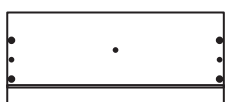
2 Right Side (D2794A)
(706 x 444mm)



3 Top (D2792A)
(397 x 490mm)



4 Rail (D2796A)
(362 x 80mm) x 2



5 Drawer Front (D2797A)
(358 x 156mm) x 2



6 Left Drawer Side (W370-124LH)
(370 x 124mm) x 2



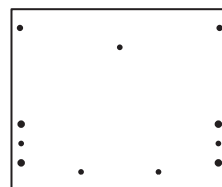
7 Right Drawer Side (W370-124RH)
(370 x 124mm) x 2



8 Drawer Back (W331-124)
(331 x 124mm) x 2



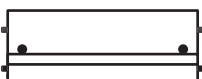
9 Drawer Base (T342-367)
(342 x 367mm) x 2



10 File Front (D2798A)
(358 x 300mm)



11 File Back (D2795A)
(338 x 253mm)



12 File Side (W414)
(314 x 120mm) x 2



13 File Base (T320-320)
(325 x 320mm)



14 Back (X807)
(390 x 650mm)



15 File Bar (FBAR334)
(334mm long) x 2

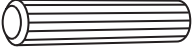
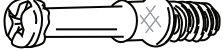

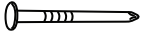











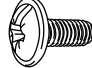
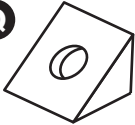


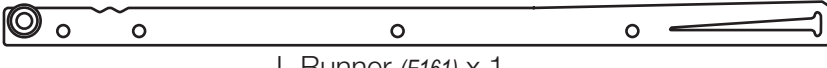
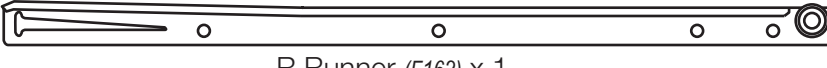



Components - Fittings

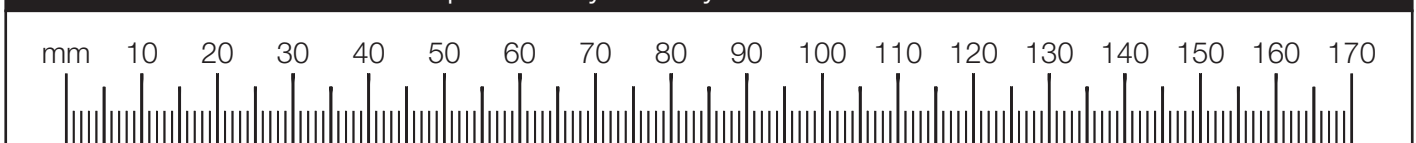
If you have damaged or missing components, call the **Customer Helpline: 08456 400800** quoting the reference numbers below

Please check you have all the fittings listed below

Note: The quantities below are the correct amount to complete the assembly. In some cases more fittings may be supplied than are required.

<p>A </p> <p>Wooden dowel (F22) x 6</p>	<p>B </p> <p>Metal dowel (F901) x 10</p>	<p>C </p> <p>Handle (F631) x 3</p>
<p>D </p> <p>Nail (F51) x 14</p>	<p>E </p> <p>Large locking nut (F900) x 2</p>	<p>F </p> <p>Small locking nut (F3) x 8</p>
<p>G </p> <p>40mm Screw (F910) x 4</p>	<p>H </p> <p>25mm Screw (F50) x 3</p>	<p>I </p> <p>13mm Screw (F52) x 6</p>
<p>J </p> <p>13mm Screw (F63) x 6</p>	<p>K </p> <p>15mm Screw (F116) x 2</p>	<p>L </p> <p>9mm Screw (F73) x 8</p>
<p>M </p> <p>Drawer runner (F1004) x 4</p>		<p>N </p> <p>Wedgefix (F639) x 4</p>
<p>O </p> <p>Knock-in Peg (F171GY) x 8</p>	<p>P </p> <p>9mm Screw (F74) x 4</p>	<p>Q </p> <p>Wedge panel holder (F248) x 2</p>
<p>R a </p> <p>L Runner (F159) x 1</p> <p>R b </p> <p>R Runner (F160) x 1</p> <p>R c </p> <p>L Runner (F161) x 1</p> <p>R d </p> <p>R Runner (F162) x 1</p>		<p>S </p> <p>Plastic Nail (F91) x 4</p>

Ruler - Use this ruler to help correctly identify the screws



Assembly Instructions

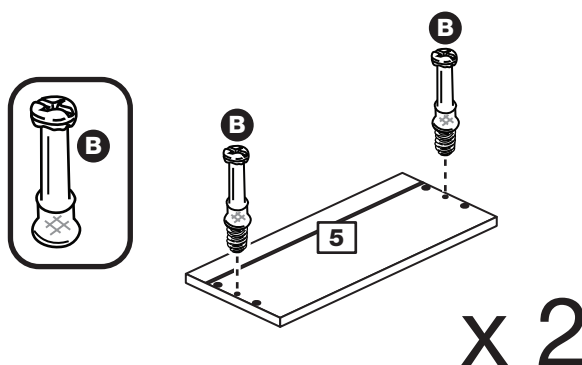
If you have damaged or missing components, call the
Customer Helpline: 08456 400800 quoting the reference
numbers below

Step 1

Prepare the 2 drawer fronts

Screw 2 metal dowels **B** into each of the drawer fronts **5**.

Note: Tighten the metal dowels up fully against the panels.

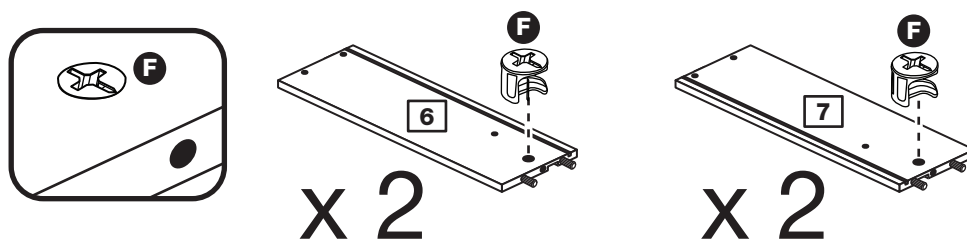


Step 2

Prepare the drawer sides

Insert a small locking nut **F** into the hole shown on the left drawer side **6** and the right drawer side **7**.

Note: The arrow on the locking nut **must** point towards the hole in the edge of the panel.



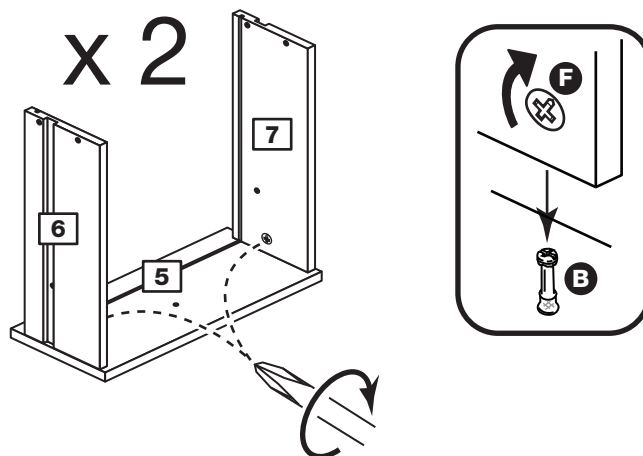
Step 3

Attach the drawer sides to the drawer fronts

Push the left drawer sides **6** and right drawer sides **7** onto the back of the drawer fronts **5**.

Turn the small locking nuts **F** on the left drawer side **6** and right drawer side **7**.

Note: Turn the locking nuts **F** clockwise to secure panels - more than 1/2 a turn.

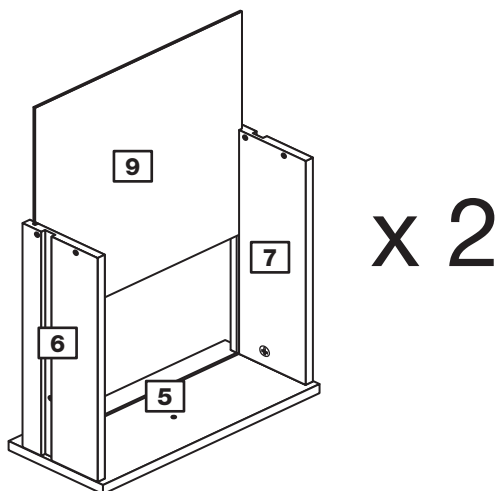


Assembly Instructions

Step 4

Fit the drawer base

Slide the drawer base **9** down the grooves in the drawer sides **6** and **7** and down into the groove in the drawer front **5**.

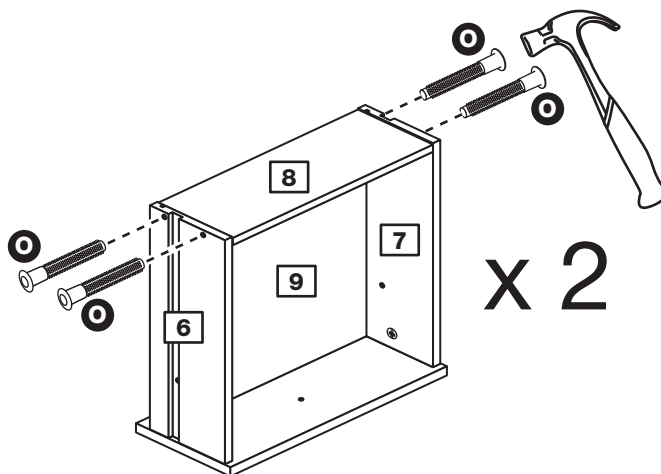


Step 5

Fit the drawer back

Fit the drawer back **8** between the drawer sides **6** and **7**. Make sure that the drawer base **9** fits into the groove in the drawer back **8**.

Hold the drawer back **8** in position and tap the knock-in pegs **0** through the holes in the drawer sides **6** and **7**.

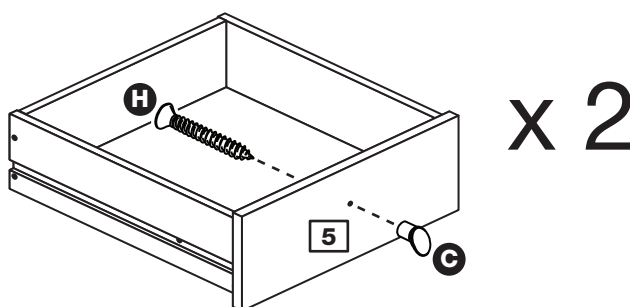


Step 6

Attach the handles

Attach a handle **C** to each of the drawer fronts **5** using screw **H**.

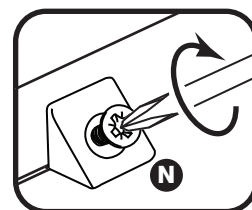
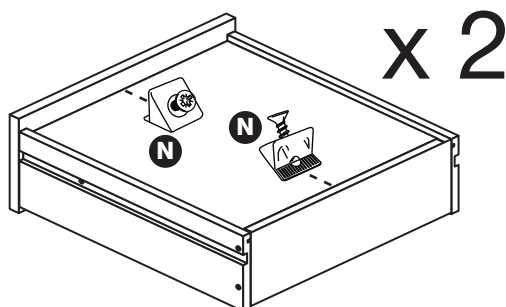
Note: Do not overtighten the screw.



Step 7

Fit the wedgifixes

Turn the drawer assemblies over and slide 2 wedgifixes **N** into the front and back grooves, as shown, and tighten up the screws.



Assembly Instructions

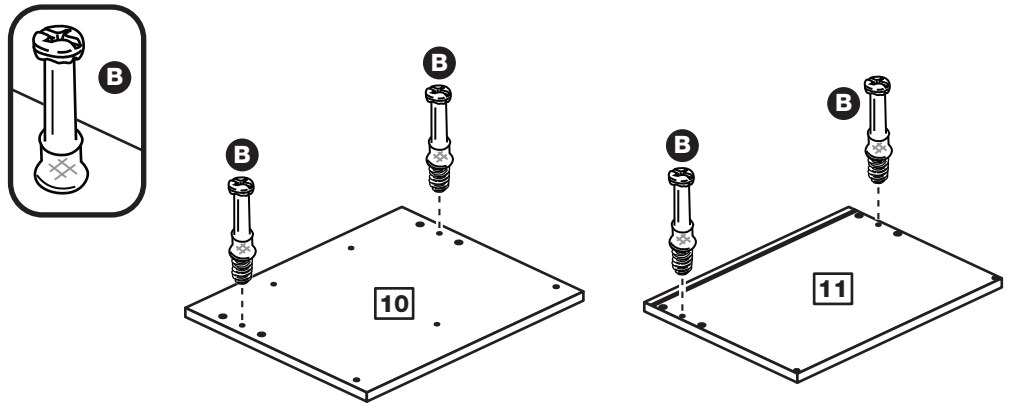
Step 8

Prepare the file front and the file back

Screw 2 metal dowels **B** into the holes shown on the back of the file front **10**.

Screw 2 metal dowels **B** into the holes shown on the file back **11**.

Note: Tighten the metal dowels up fully against the panels.

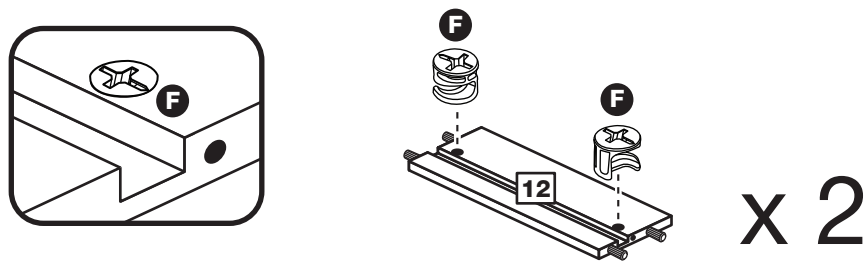


Step 9

Prepare the file sides

Insert 2 small locking nuts **F** into the holes shown on each of the file sides **12**.

Note: The arrow on the locking nut **must** point towards the hole in the edge of the panel.

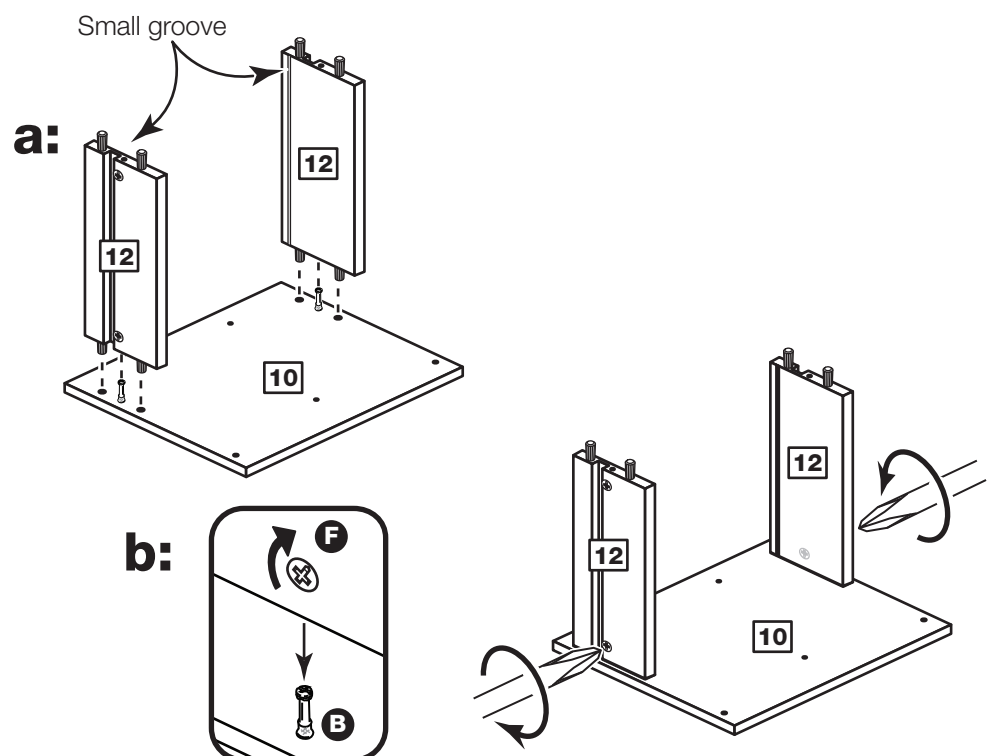


Step 10

Assemble the file front and file sides

a: Push 2 file sides **12** onto the back of the file front **10** as shown.

b: Turn the 2 small locking nuts **F** on the file sides **12** clockwise to secure them - more than 1/2 a turn.

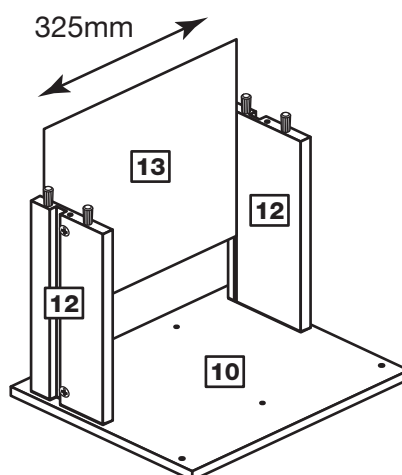


Assembly Instructions

Step 11

Fit the file base

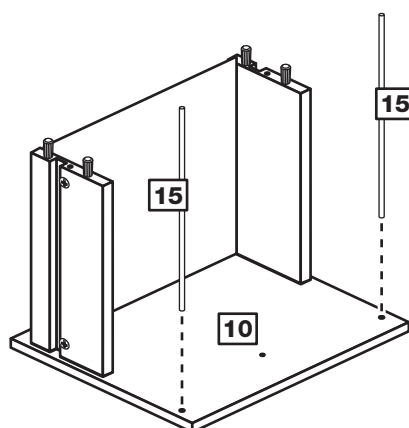
Slide the file base **13** between the slots in the 2 file sides **12** and push it down onto the file front **10**.



Step 12

Fit the file bars

Push the 2 file bars **15** down into the holes on the file front **10**.



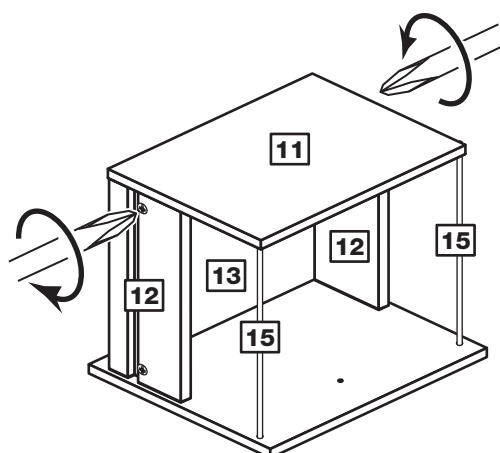
Step 13

Fit the file back

Push the file back **11** down onto the 2 file sides **12** and 2 file bars **15**.

Turn the 2 locking nuts **F** on the file sides **12** clockwise to secure them - more than 1/2 a turn.

Note: Make sure that the file base **13** is pushed into the groove in the file back **11**.

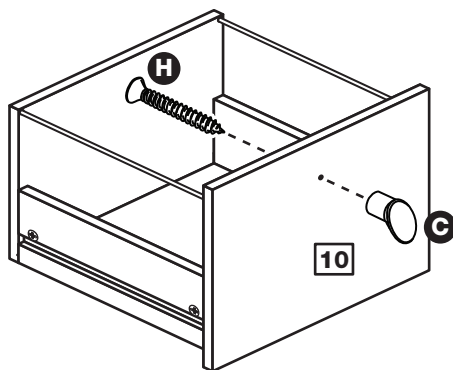


Assembly Instructions

Step 14

Attach the handle

Attach a handle **C** to the file front **10** using screw **H**.

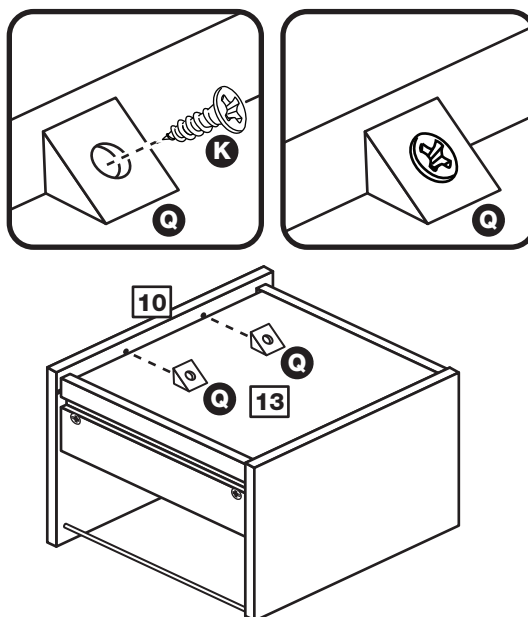


Step 15

Secure the file base

Place the wedge panel holders **Q** onto the file base **13**, pushing them up against the back of the file front **10**.

Screw the wedge panel holders **Q** into the 2 mark holes using screws **K**.



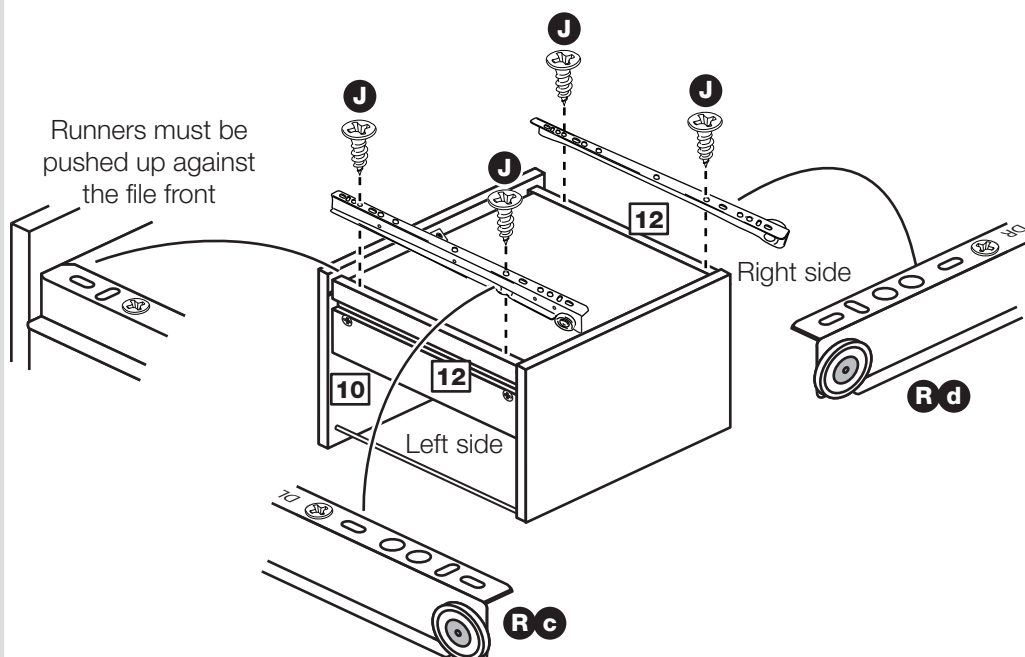
Step 16

Fit runners to the file drawer

Turn the file drawer assembly over.

Fit runner **Rd**, marked with 'DR', to the bottom edge of the right file side **12**, as shown, making sure that it is pushed up against the back of the file front **10**. Use a bradawl to mark the fixing positions, then secure with 2 screws **J**.

Fit runner **Rc**, marked 'DL', to the bottom edge of the left file side **12** using the same method.



Assembly Instructions

Step 17

Prepare the left side

a: Place 2 runners **M** on the left side **1** as shown. Slide back the top of runner and use the 2nd hole from the front to fit the 1st screw **L**.

b: Slide the runner **M** back the other way and fit the 2nd screw **L** into the corresponding hole in the left side **1**.

c: Fit the runner **Ra** to the left side **1**.

The 1st screw **I** uses the 2nd hole in from the front of the runner **Ra**.

The 2nd and 3rd screws **I** use the holes that line up with the other panel holes.

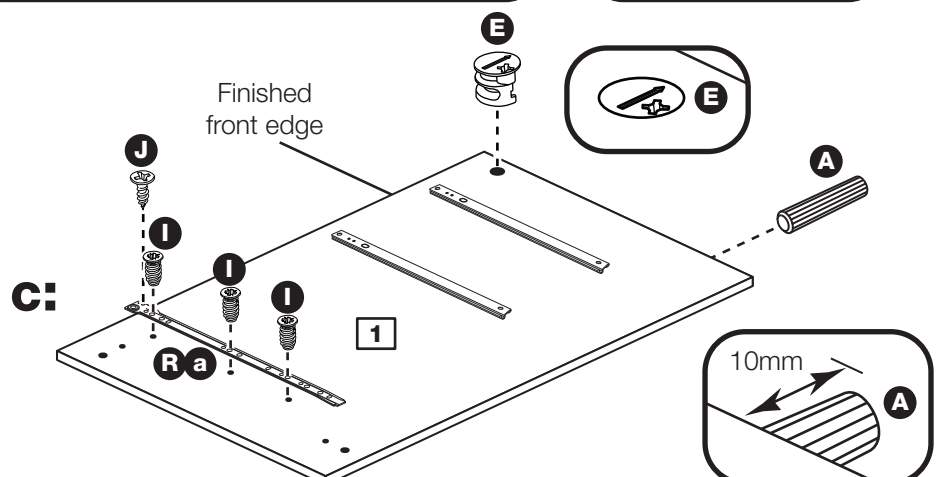
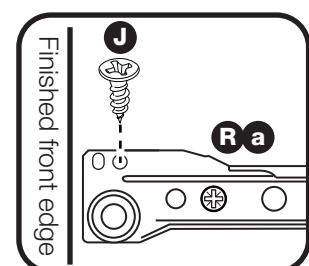
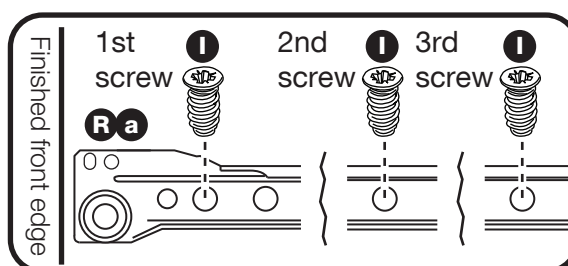
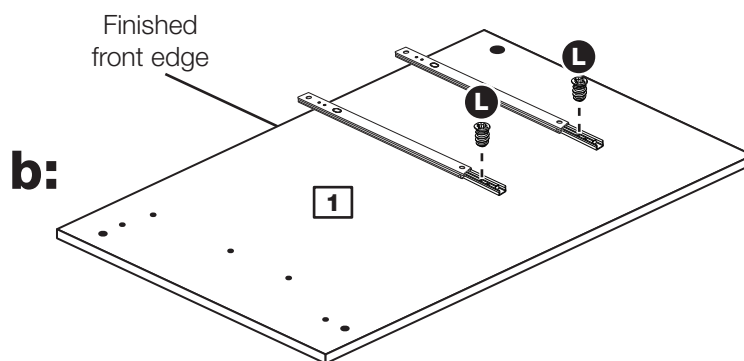
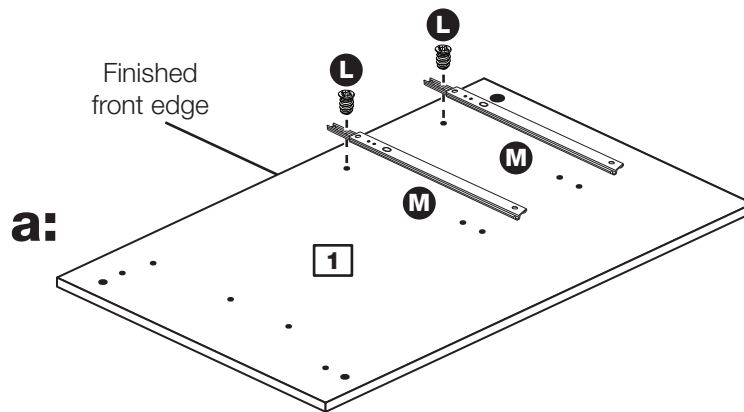
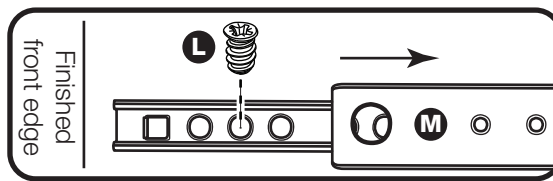
Fit a screw **J** into the 2nd hole in at the top of the runner **Ra**.

Insert a large locking nut **E** into the left side **1**.

Note: The arrow on the locking nuts **must** point towards the hole in the edge of the panel.

Tap a wooden dowel **A** into the left side **1**.

Note: Wooden dowels **must not** stick out from the edge by more than 10mm or they may damage other panels.



Assembly Instructions

Step 18

Prepare the right side

a: Place 2 runners **M** on the right side **2** as shown. Slide back the top of runner and use the 2nd hole from the front to fit the 1st screw **L**.

b: Slide the runner **M** back the other way and fit the 2nd screw **L** into the corresponding hole in the right side **2**.

c: Fit the runner **Rb** to the right side **2**.

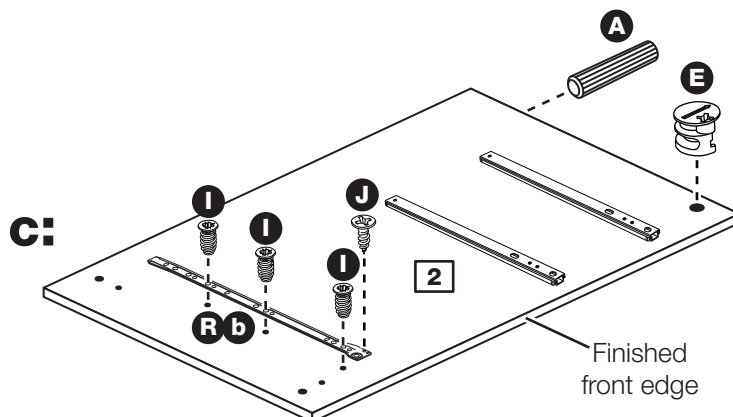
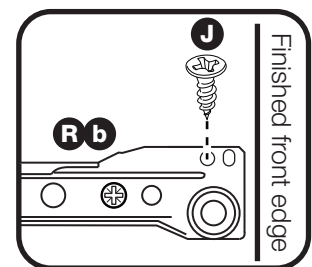
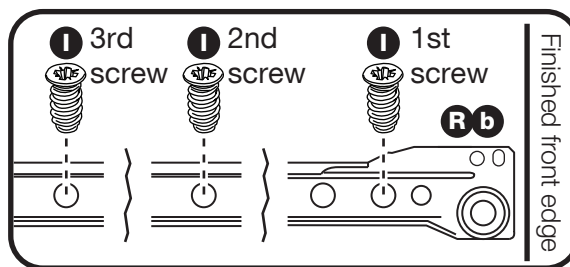
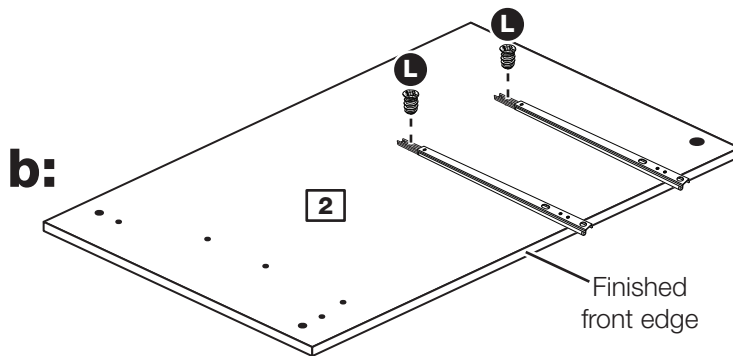
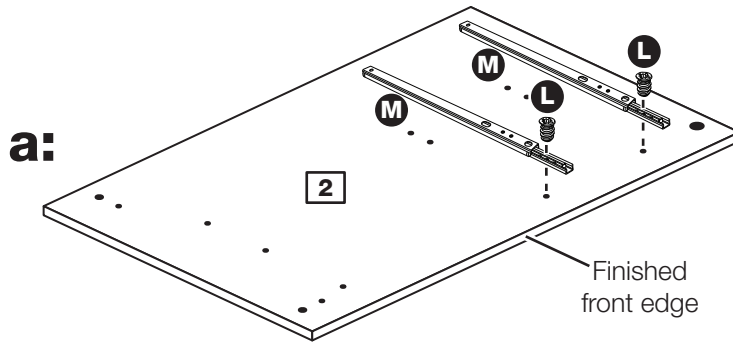
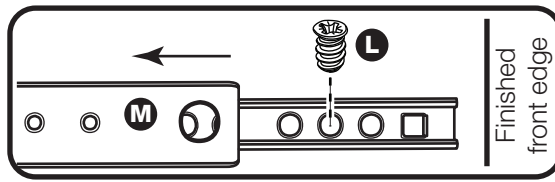
The 1st screw **I** uses the 2nd hole in from the front of the runner **Rb**.

The 2nd and 3rd screws **I** use the holes that line up with the other panel holes.

Fit a screw **J** into the 2nd hole in at the top of the runner **Rb**.

Insert a large locking nut **E** into the right side **2**.

Tap a wooden dowel **A** into the right side **2**.

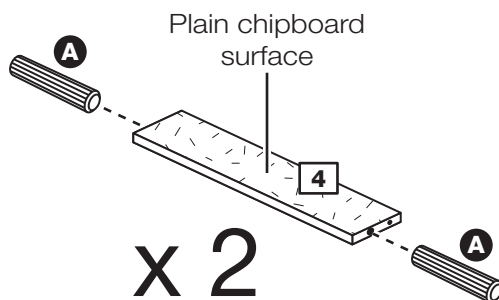


Assembly Instructions

Step 19

Prepare the 2 rails

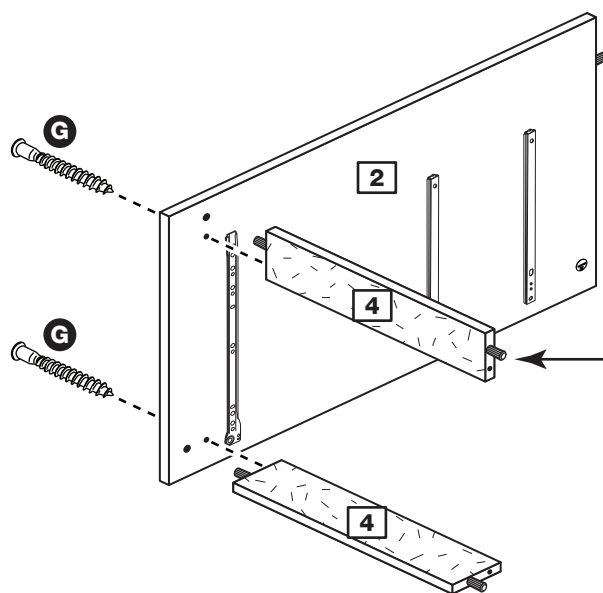
Tap 2 wooden dowels **A** into each of the rails **4**.



Step 20

Join the right side and rails

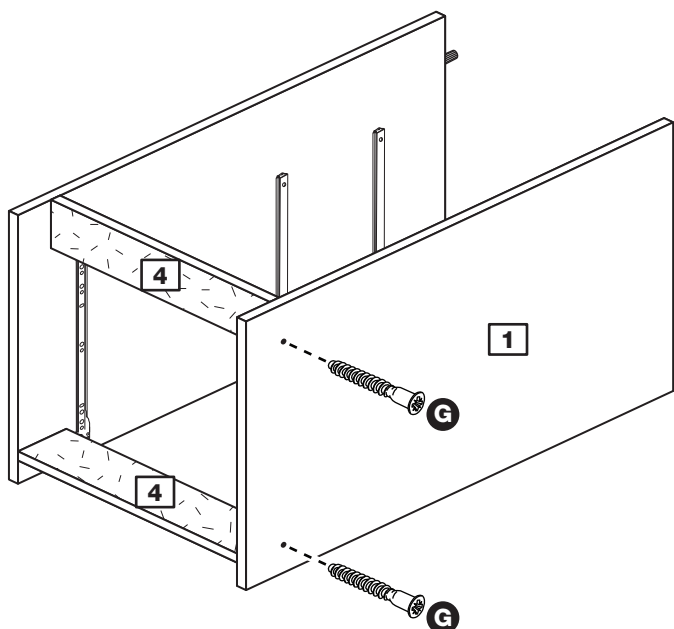
Push the 2 rails **4** onto the right side **2** and secure them with 2 screws **G**.



Step 21

Fit the left side

Push the left side **1** onto the 2 rails **4** and secure it using 2 screws **G**.

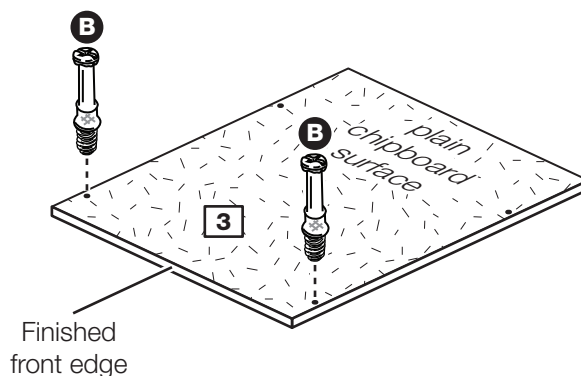


Assembly Instructions

Step 22

Prepare the top

Screw 2 metal dowels **B** into the top **3**.



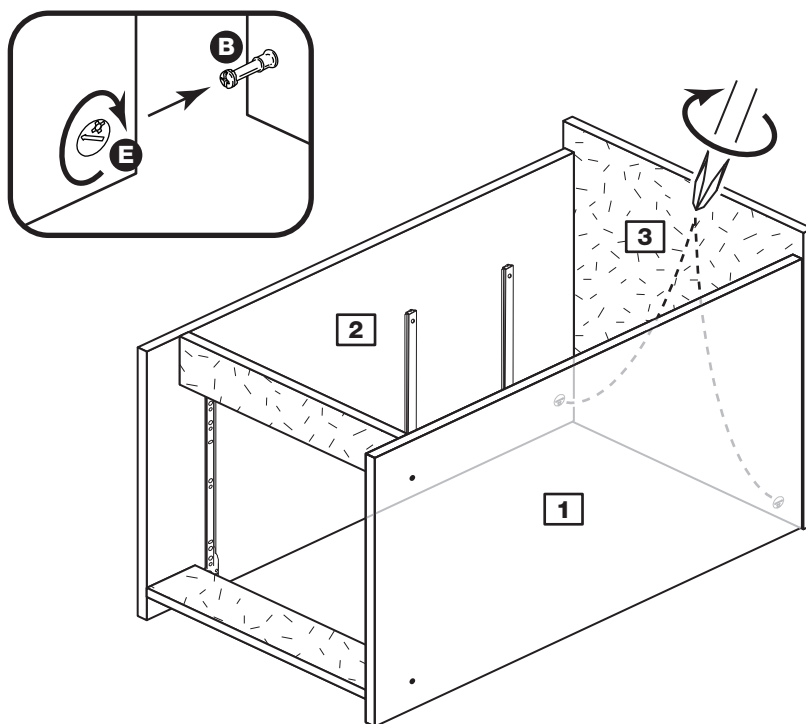
Step 23

Fit the top

Push the top **3** onto the side panels **1** and **2**.

Use a screwdriver to tighten the 2 large locking nuts **E** fitted to the inside of the side panels **1** and **2**.

Note: Turn the large locking nuts **E** as far as they will go - more than 1/2 a turn.



Assembly Instructions

Step 24

Fit the back

a: Square up the unit by making sure that measurement **x** to **x** equals **y** to **y**.

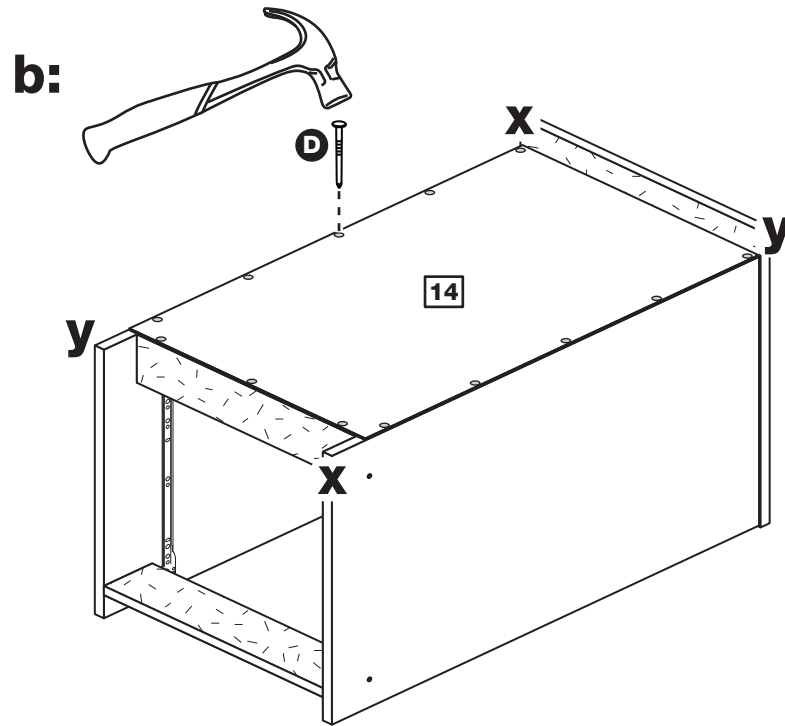
b: Place the back **14** onto the unit.

Nail **D** around the side and bottom edges of the back **14**.

Note: Nails should be spaced about 150mm apart.

Stand the unit up for the next step.

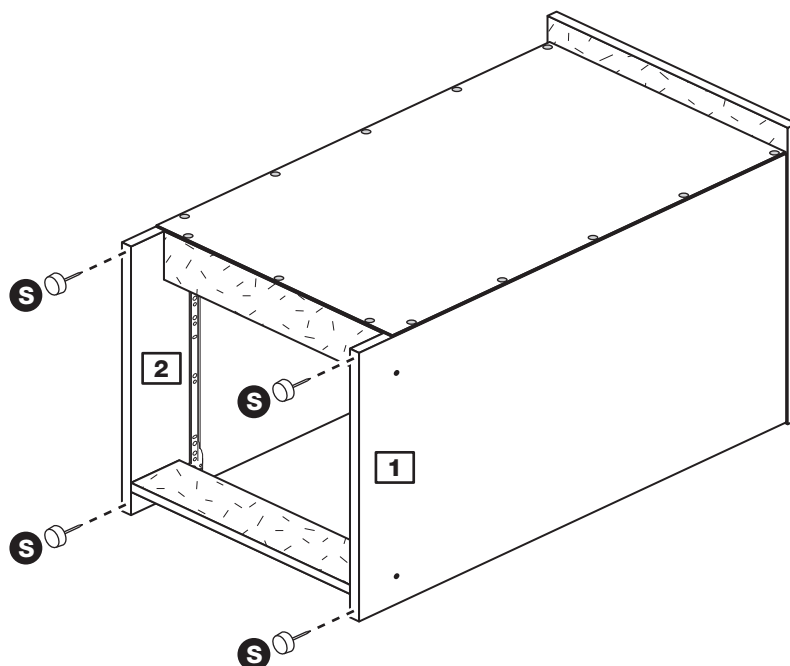
a: The measurement from top corner X to bottom corner X must be equal to the measurement from top corner Y to bottom corner Y



Step 25

Fit the 4 plastic nails

Tap 2 plastic nails **S** into the bottom edge of each side **1** and **2** as shown.

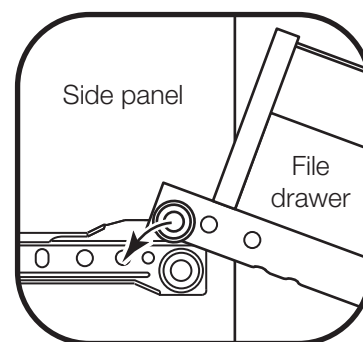
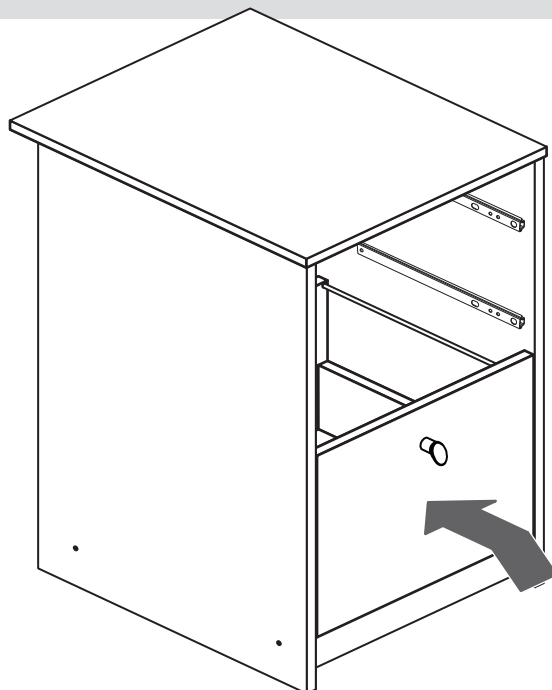


Assembly Instructions

Step 26

Fit the file drawer

Slide the wheels of the runners fitted to the file drawer, over the wheels of the runners fitted to the side panels and push the file drawer into position.



Step 27

Fit the drawers

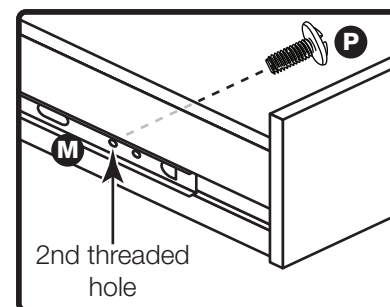
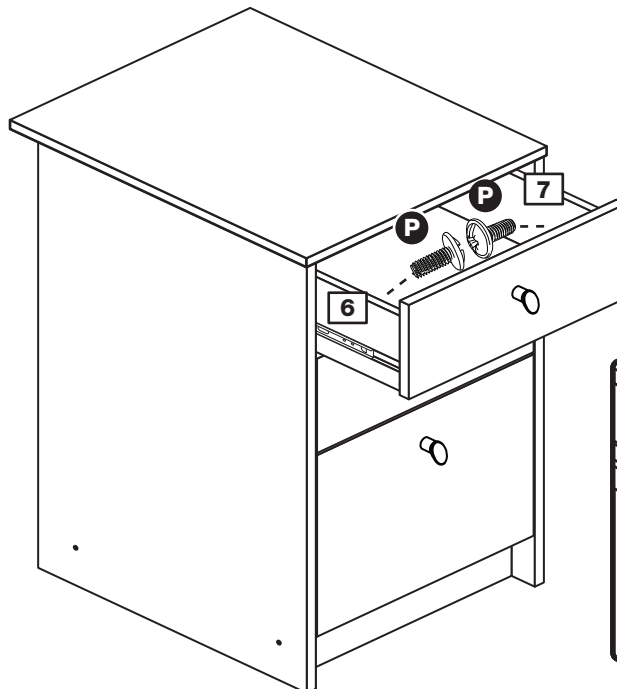
Starting with the bottom drawer, slide both the runners **M** forward and locate the drawer sides **6** and **7** between them, lining up the holes in the drawer wrap with the 2nd 'threaded' holes in the runners **M**.

Working from the inside of the drawer, insert 2 screws **P** through the drawer sides and out into the 2nd threaded hole in the runner.

Note: Do not overtighten the screws **P**.

If they catch on the runner you may need to loosen them slightly.

Assembly is complete



If you need help or have damaged or missing parts, call the Customer Helpline: 08456 400800 and quote the reference numbers on the component pages.

Argos Ltd, 489-499 Avebury Boulevard, Central Milton Keynes, MK9 2NW

