

HOOVER



GENERATION FUTURE

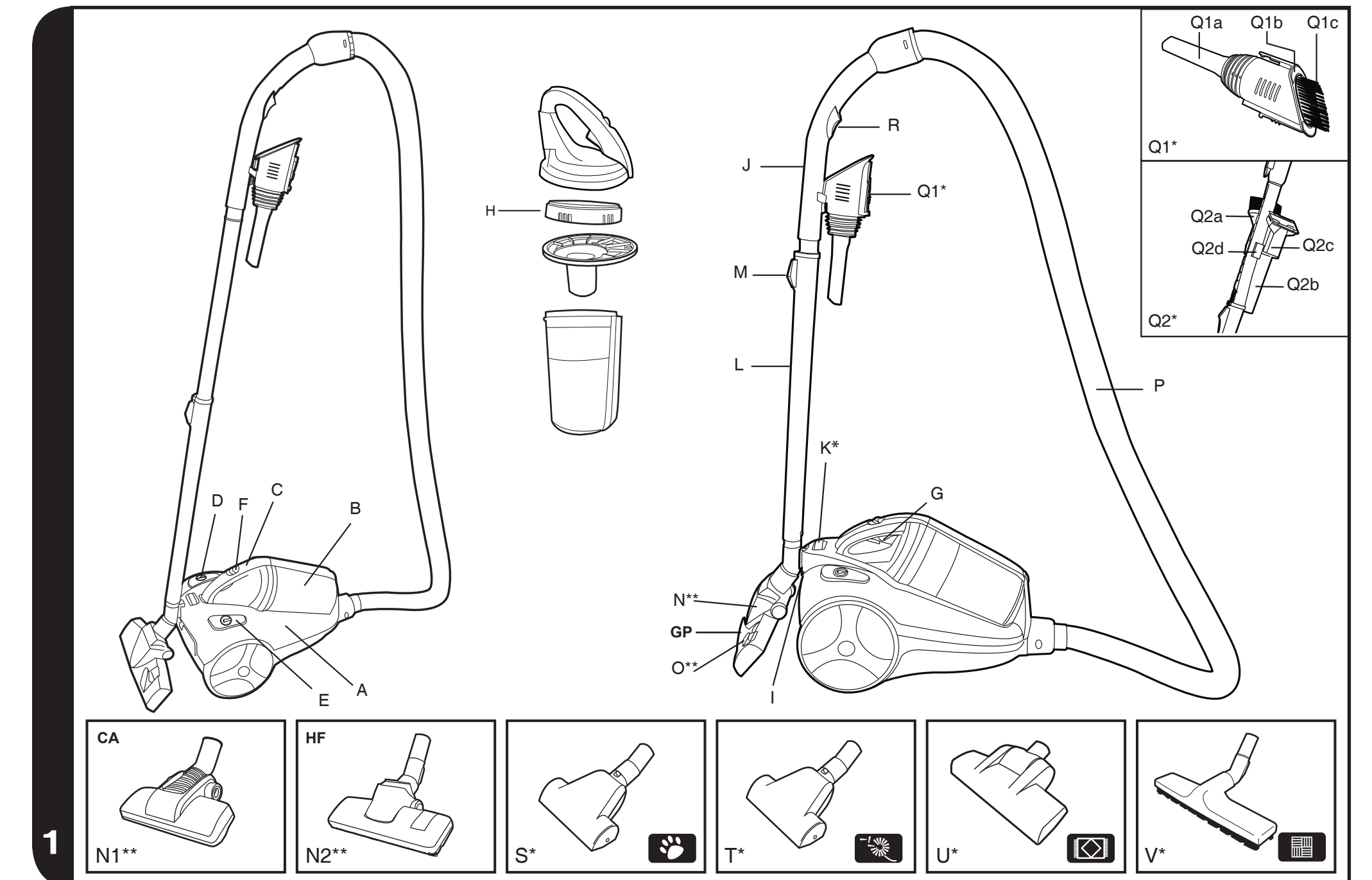


USER MANUAL

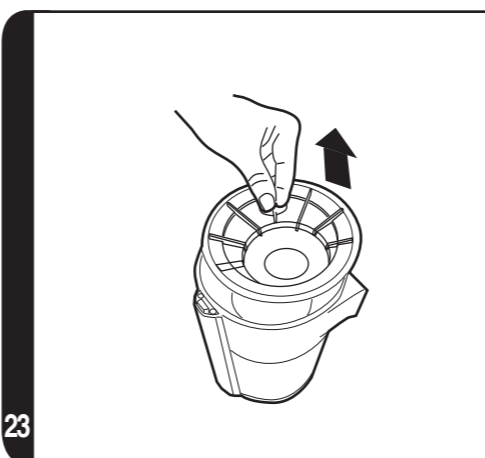
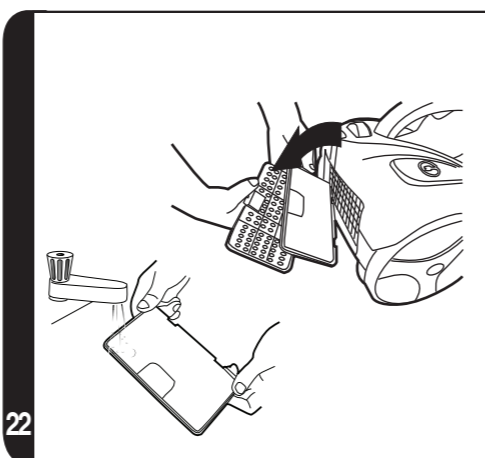
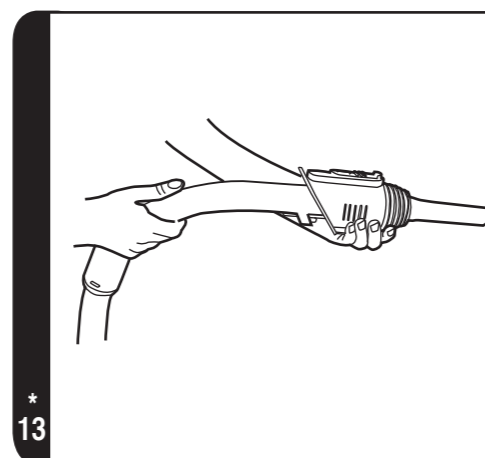
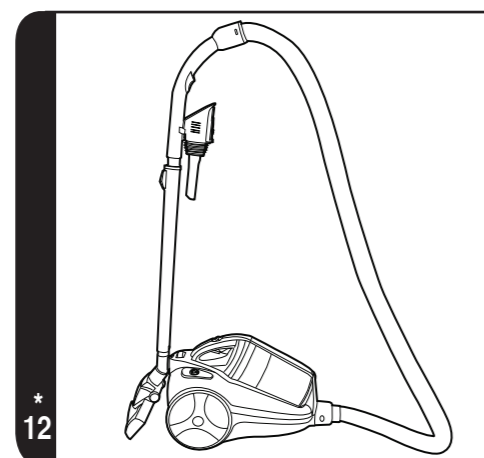
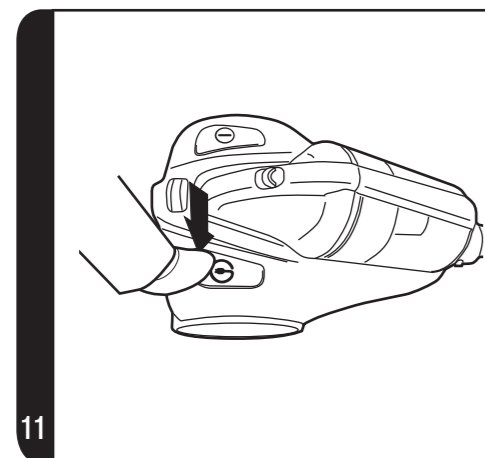
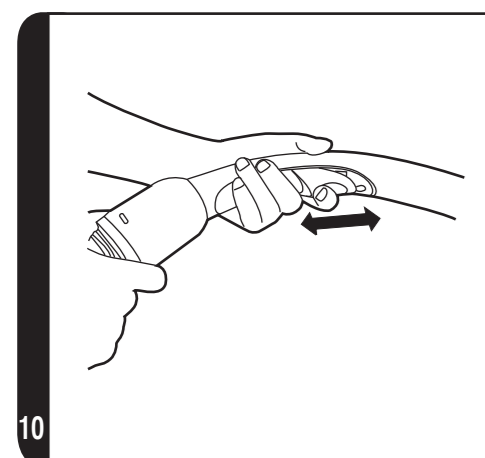
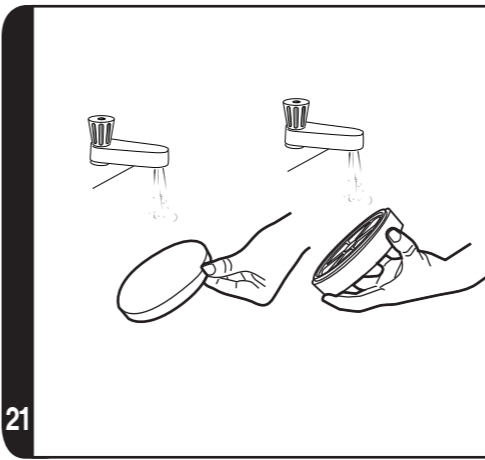
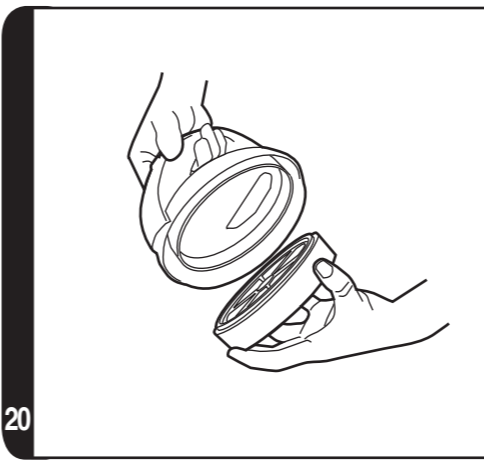
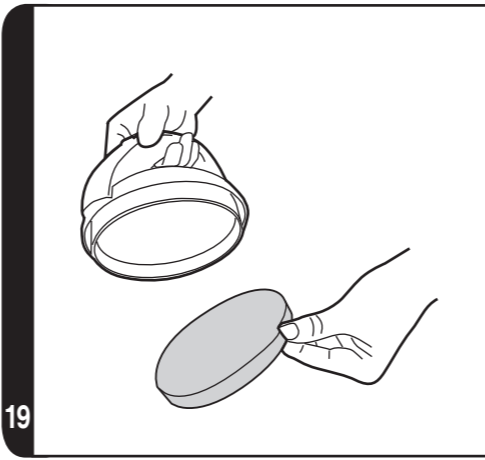
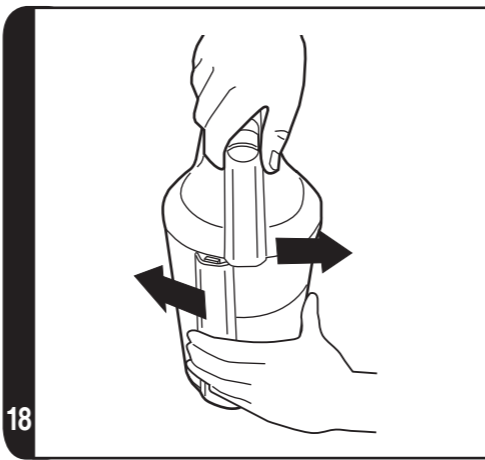
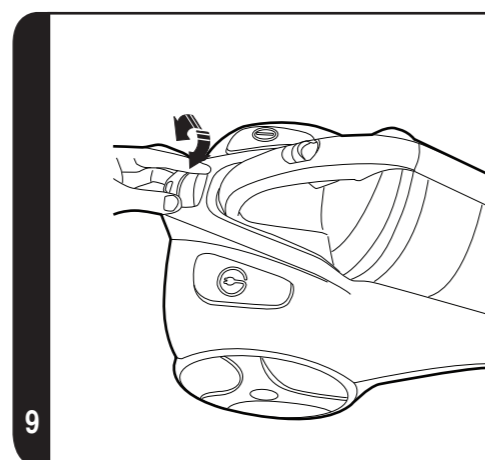
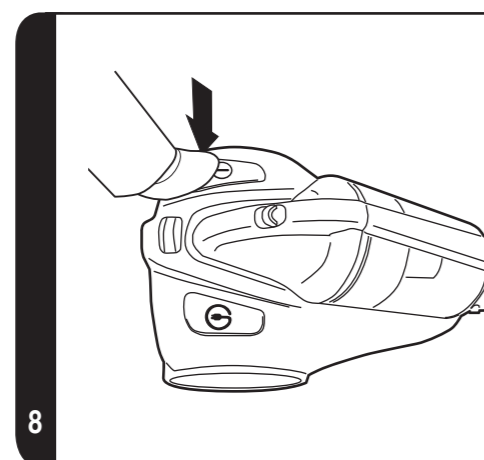
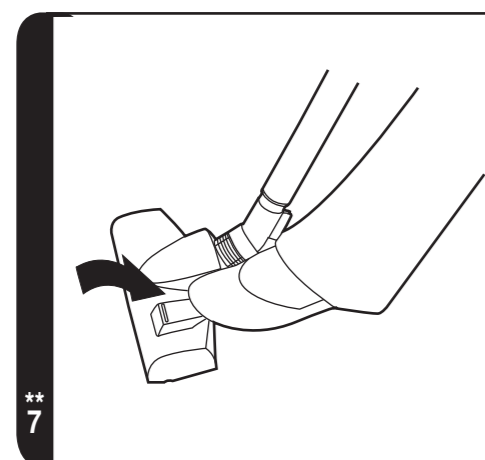
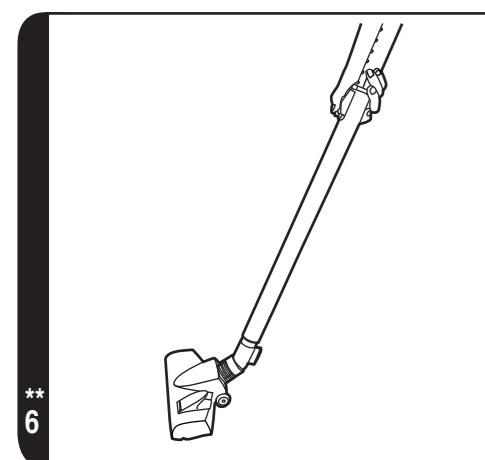
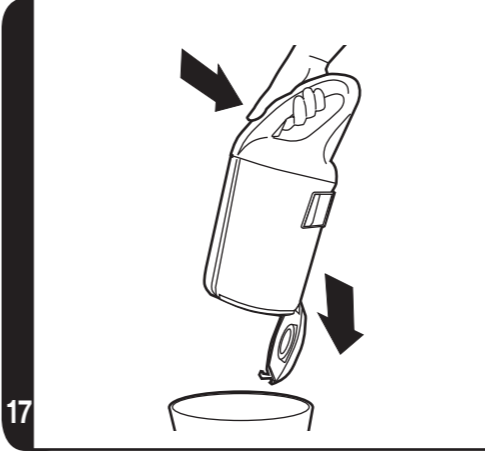
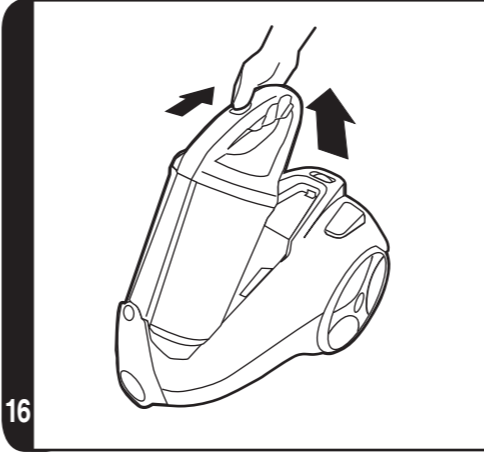
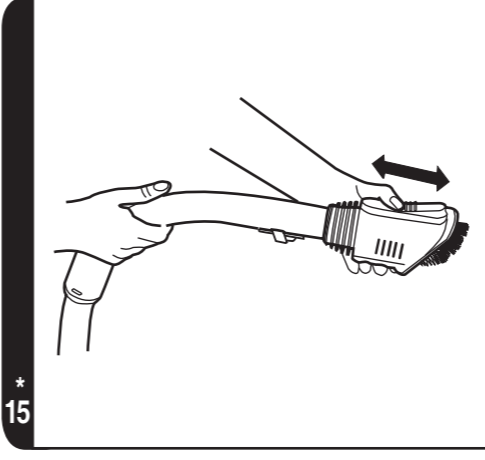
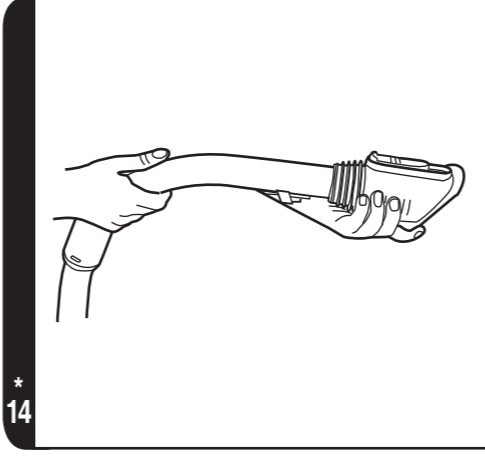
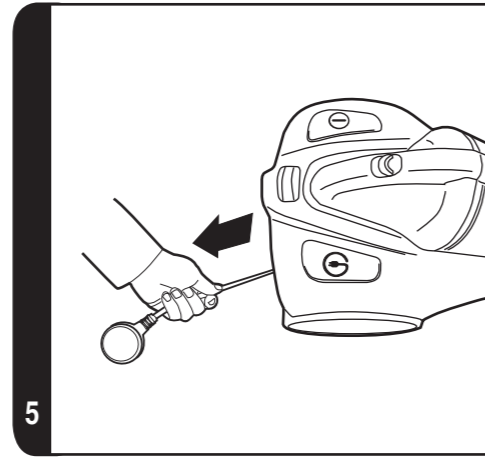
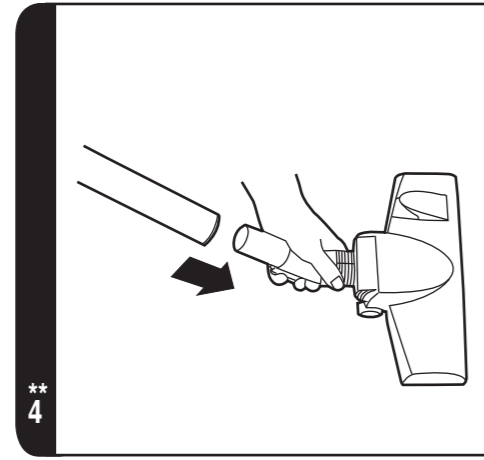
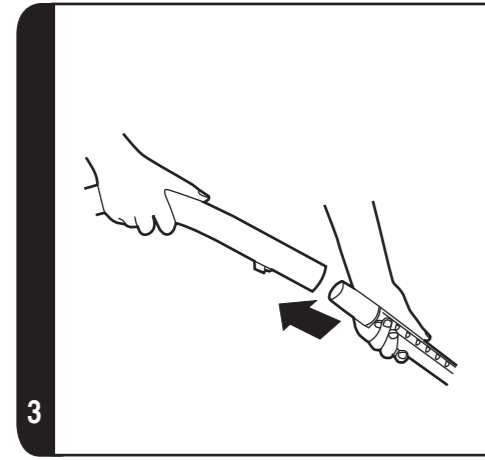
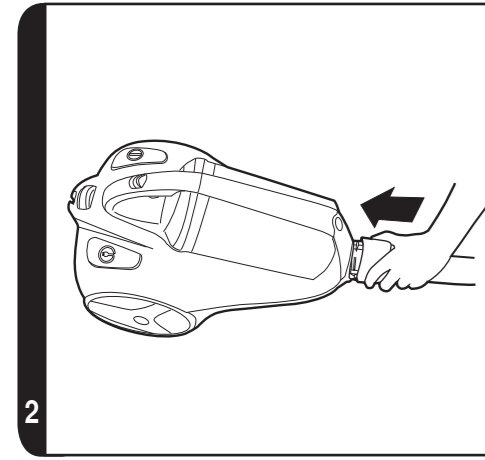


GENERATION FUTURE

PRINTED IN P.R.C.
48011752



*Certain Models Only ** Certain models only, nozzles may vary according to model



*Certain Models Only ** Certain models only, nozzles may vary according to model

INSTRUCTIONS FOR SAFE USE

This appliance should only be used for domestic cleaning, as described in this user guide. Please ensure that this guide is fully understood before operating the appliance.

Do not leave the appliance plugged in. Always switch off and remove the plug from the socket after use, or before cleaning the appliance or any maintenance task.

This appliance can be used by children aged from 8 years and above and persons with reduced physical, sensory or mental capabilities or lack of experience and knowledge if they have been given supervision or instruction concerning use of the appliance in a safe way and understand the hazards involved. Children shall not play with the appliance. Cleaning and user maintenance shall not be made by children without supervision.

If the power cord is damaged stop using the appliance immediately. To avoid a safety hazard, an authorised HOOVER service engineer must replace the power cord.

Keep hands, feet, loose clothing and hair away from rotating brushes.

Use only attachments, consumables or spares recommended or supplied by HOOVER.

Static electricity: Some carpets can cause a small build up of static electricity. Any static discharge is not hazardous to health.

Do not use your appliance out of doors or on any wet surface or for wet pick up.

Do not pick up hard or sharp objects, matches, hot ashes, cigarette ends or other similar items.

Do not spray with or pick up flammable liquids, cleaning fluids, aerosols or their vapours.

Do not run over the power cord when using your appliance or remove the plug by pulling on the power cord.

Do not continue to use your appliance if it appears faulty.


HOOVER service: To ensure the continued safe and efficient operation of this appliance we recommend that any servicing or repairs are only carried out by an authorised HOOVER service engineer.

Do not stand on or wrap the cord around arms or legs when using your appliance.

Do not use the appliance to clean animals or people.

Do not position the appliance above you when cleaning the stairs.

The Environment

The symbol on this appliance indicates that this appliance may not be treated as household waste. Instead it must be handed over to the applicable collection point for the recycling of electrical and electronic equipment. Disposal must be carried out in accordance with local environmental regulations for waste disposal.  For more detailed information about treatment, recovery and recycling of this appliance, please contact your local city office, your household and waste disposal service or the shop where you purchased the appliance.

 This appliance complies with the European Directives 2006/95/EC, 2004/108/EC and 2011/65/EU.

HOOVER Limited, Pentrebach, Merthyr Tydfil, Mid Glamorgan, CF48 4TU, UK

GETTING TO KNOW YOUR CLEANER

- A. Cleaner main body
- B. Dust Container
- C. Dust Container handle
- D. On/Off Button
- E. Cord Rewind Button
- F. Dust Container Release Button
- G. Dust Container Door Release Trigger
- H. Filter Pack
- I. Park slot
- J. Handle
- K. Power Control Regulator*
- L. Telescopic Tube
- M. Telescopic tube adjuster
- N. Carpet and Floor nozzle(**GP**)**
 - N1. Carpet Nozzle (**CA**)**
 - N2. Hard Floor Nozzle (**HF**)**
- O. Carpet Care Control Selector**
- P. Hose
- Q1. 3 in 1 Tool*:
 - Q1a. Crevice Tool
 - Q1b. Furniture Nozzle
 - Q1c. Dusting Brush
- Q2. Accessory Set*
 - Q2a. Dusting Brush
 - Q2b. Crevice Tool
 - Q2c. Furniture nozzle
 - Q2d. Accessory holder
- R. Suction Regulator
- S. Pet Hair Remover Mini Turbo Nozzle*
- T. Allergen Remover Mini Turbo Nozzle*
- U. Grand Turbo Nozzle*
- V. Parquet Nozzle*

ASSEMBLING YOUR CLEANER

Remove all components from the packaging.

1. Connect the hose to the cleaner main body, ensuring it clips and locks into position. To release: simply press the two buttons on the hose end and pull [2].
2. Connect the tube upper end to the handle, and store the 3 in 1 tool underneath the handle [3].
3. Connect the tube lower end to the carpet and floor nozzle [4].

*Certain Models Only ** Certain models only, nozzles may vary according to model

USING YOUR CLEANER

1. Extract power cord and plug it into the power supply. Do not pull the cord beyond the red marker. [5]
2. Adjust the telescopic tube to the desired height by moving the telescopic release button up and raise or lower the handle to the most comfortable cleaning position. [6]
3. Select carpet care control height by pressing the pedal in the nozzle. [7]
 - Hard Floor** – Brushes are lowered to protect the floor.
 - Carpet** – Brushes are raised for the deepest clean.
4. Switch the cleaner on by pressing the On/Off Button on the cleaner main body. [8]
5. Adjust the power control regulator to the desired level.* [9]
6. Adjust the suction regulator on the handle to the desired level. [10]
7. Switch off at the end of use by pressing the On/Off Button. Unplug and press the cord rewind button to wind the power cord back into the cleaner. [11]
8. To store your cleaner adjust telescopic tube to the lowest height setting and park the nozzle in the park position on the cleaner main body. [12]

ACCESSORIES

To obtain the best performance and energy efficiency^{#1} it is recommended that the correct nozzles are used for the main cleaning operations. These nozzles are indicated in the diagrams by the letters **GP**, **HF** or **CA**.

A nozzle type **GP** can be used to clean both carpet and hard floor.

A nozzle type **HF** is suitable for use only on hard floor.

A nozzle of type **CA** is suitable for use only on carpet.

The other nozzles are accessories for specialist cleaning tasks and are recommended for occasional use only.

It is important to note that this vacuum cleaner is supplied with an Energy Label as required by European Regulation (EU) 665/2013.

If the label shows a red prohibition circle on the left covering the carpet symbol, then this indicates that the vacuum cleaner is not suitable use on carpets.

If the label shows a red prohibition circle on the right covering the hard floor symbol, then this indicates that the vacuum cleaner is not suitable for use on hard floors.

^{#1} **NOTE:** Dust pick up ability carpet, dust pick up ability hard floor, and energy efficiency in accord with Commission Regulations (EU) 665/2013 and (EU) 666/2013.

All accessories can be fitted to the end of the handle or the end of the telescopic tube.

3 in 1 tool * – Combines several functions in one. The 3 in 1 tool can be stored neatly underneath the hose handle.

Crevice Tool – For corners and hard to reach areas. [13]

Furniture Nozzle – For soft furniture and fabrics [14]

Dusting Brush – For bookshelves, frames, keyboards and other delicate areas. To extend the brushes push the button on the body of the tool. [15]

Parquet Nozzle* – For parquet floors and other delicate floors.

Grand Turbo Nozzle* – Use the turbo nozzle for deep cleaning on carpets.

Pet Hair Remover Mini Turbo Nozzle* - Use the mini turbo nozzle on stairs or for deep cleaning on textile surfaces and other hard to clean areas. Particularly suitable for pet hairs removal.

Allergen Remover Mini Turbo Nozzle* – Use the mini turbo nozzle on stairs or for deep cleaning on textile surfaces and other hard to clean areas. Particularly suitable for allergen removal.

IMPORTANT: Do not use the turbo and mini turbo nozzles on rugs with long fringes, animal hides and carpet pile deeper than 15mm. Do not keep the nozzle stationary while the brush is rotating.

CLEANER MAINTENANCE

Emptying the Dust Container

When the dust reaches the max level indicator in the container empty the dust container.

IMPORTANT: To maintain optimum performance do not allow the dust to sit higher than the max level.

1. Release the container by sliding the bin release button towards the rear of the cleaner. [16] Lift the dust container from the cleaner main body.
2. Hold the dust container over a bin with one hand and press the bin container door open trigger. [17]
3. Close the dust container door and refit to the cleaner main body.

Cleaning the washable filters

The cleaner is fitted with a blue filter pack. To maintain optimum cleaning performance regularly remove the filters and tap against the side of the bin to release dust. The filters should be washed every 5 cassette empties or when the filter has excessive dust level.

IMPORTANT: All bagless cleaners require regular filter cleaning. Failure to clean your filters may result in air blockage, overheating and product failure. This may invalidate your guarantee.

IMPORTANT: Regularly check and maintain the filters.

IMPORTANT: Always ensure the filter pack is fully dry before use.

To access the filter:

1. Release the container by sliding the bin release button towards the rear of the cleaner. [16] Lift the dust container from the cleaner main body.
2. Hold the bin with one hand and with the other hand rotate the bin handle anti clockwise to release from the bin container. [18]
3. Remove the blue filter unit located in the bin handle. [19]
4. Separate the foam filter from the filter pack. [20]
5. Gently tap and wash the grey foam filter using warm water. Do not use hot water or detergents. Remove excess water from the filter and leave to dry fully before re-using. [21]
6. Gently tap and wash the blue filter unit. Do not use hot water or detergents. Remove excess water from the filter and leave to dry fully before re-using. [21]
7. Reassemble to filter pack once fully dry and refit to the cleaner.

IMPORTANT: Do not use the product without the filter pack fitted.

To access the exhaust filter:

1. Unclip the exhaust filter from the rear of the cleaner. [22]
2. Gently tap and wash the grey foam filter using warm water. Do not use hot water or detergents. Remove excess water from the filter and leave to dry fully before re-using. [22]

Cleaning the separation unit

This cleaner uses a separation system unique to Hoover. If necessary the separation unit can be disassembled from the dust container and cleaned.

1. Release the container by sliding the bin release button towards the rear of the cleaner. [16] Lift the dust container from the cleaner main body.
2. Hold the bin with one hand and with the other hand rotate the bin handle anti clockwise to release from the bin container. [18]
3. Remove the red vortex finder from the dust container by pulling the tab provided. [23]
4. Use a cloth to remove excessive dust from the red vortex finder surface.
5. Place the bin under the Tap as shown. [24] Rinse with lukewarm water. Wash internal surfaces of the bin with water only. DO NOT use soap detergents to wash the internals of the bin.
6. Reassemble the red internal component to the bin.
7. Reassemble the bin handle to the bin container. Refit the dustbin to the cleaner.

Removing a blockage

1. Check if the dust container is full. If so refer to 'Emptying the dust container.'
2. If the dust container is empty but suction is still low:
 - A. Do the filters need cleaning? If so refer to 'Cleaning the washable filters'.
 - B. Check if there is any other blockage in the system - Use a rod or pole to remove any blockage from the extension tube or flexible hose.
 - C. Check if pre-motor filter is fitted.
 - D. Check if the separation unit needs to be cleaned. Refer to 'Cleaning the separation unit.'

USER CHECKLIST

Should you have a problem with the product, complete this simple user checklist before calling your local Hoover service.

- Is there a working electricity supply to the cleaner?
Please check with another electrical appliance.
- Is the dust container over-filled? Please refer to 'Cleaner Maintenance'.
- Is the filter blocked? Please refer to 'Cleaner Maintenance'.
- Is the hose or nozzle blocked? Please refer to 'Removing a blockage from the system'.
- Has the cleaner overheated? If so, it will take approximately 30 minutes to automatically reset.

IMPORTANT INFORMATION

Hoover spares and Consumables

Always replace parts with genuine Hoover spares. These are available from your local Hoover dealer or direct from Hoover. When ordering parts always quote your model number.

Hoover Customer Helpline Service

Should any faults occur with your cleaner during the first 12 months contact the Hoover Customer Helpline on the number below.

Tel: 08444 995 599

Email: customer.services@hoovercandy.com

Hoover have a computerised nationwide service network of over 500 engineers who will quickly respond to your call and guarantee your repair for 12 months.

Hoover Service

Should you require service at any time, please contact your local Hoover Service Office.

Quality

BSI ISO 9001: Hoover's factories have been independently assessed for quality. Our products are made using a quality system which meets the requirements of ISO 9001.

Your Guarantee

The guarantee conditions for this appliance are as defined by our representative in the country in which it is sold. Details regarding these conditions can be obtained from the dealer from whom the appliance was purchased. The bill of sale or receipt must be produced when making any claim under the terms of this guarantee.

Subject to change without notice.