

# kent coffee table with 2 drawers

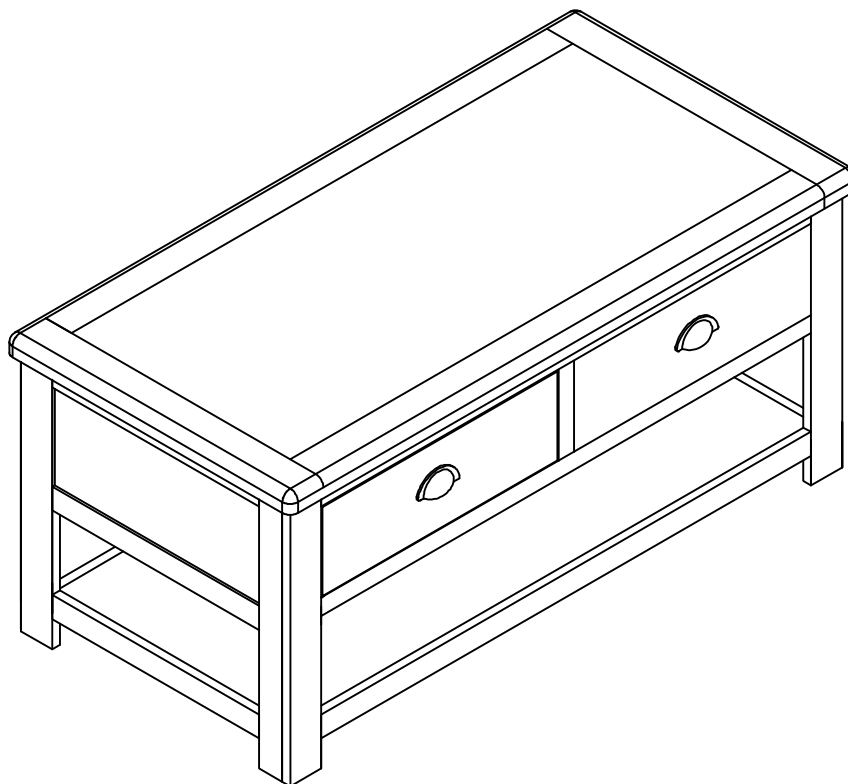
Assembly Instructions - Please keep for future reference

276/7248

653/2307



**Heart of House**



## Dimensions

Width - 110cm

Depth - 55cm

Height - 50cm

**Important** - Please read these instructions fully before starting assembly

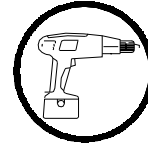
If you need help or have damaged or missing parts, call the **Customer Helpline:**  
**Argos = 0345 6400800**



# Safety and Care Advice

**Important** - Please read these instructions fully before starting assembly

- Check you have all the components and tools listed on the following pages.
- Remove all fittings from the plastic bags and separate them into their groups.
- Keep children and animals away from the work area, small parts could choke if swallowed.
- Make sure you have enough space to layout the parts before starting.
- During assembly do not stand or put weight on the product, this could cause damage.
- Assemble the item as close to its final position (in the same room) as possible.
- Assemble on a soft level surface to avoid damaging the unit or your floor.
- Parts of the assembly will be easier with 2 people.



- To reduce the likelihood of damaging your product please ensure that your power drill is set on a low torque setting.

## Care and maintenance

- Only clean using a damp cloth and mild detergent, do not use bleach or abrasive cleaners.
- From time to time check that there are no loose screws on this unit.
- This product should not be discarded with household waste. Take to your local authority waste disposal centre.

## Handy Hints

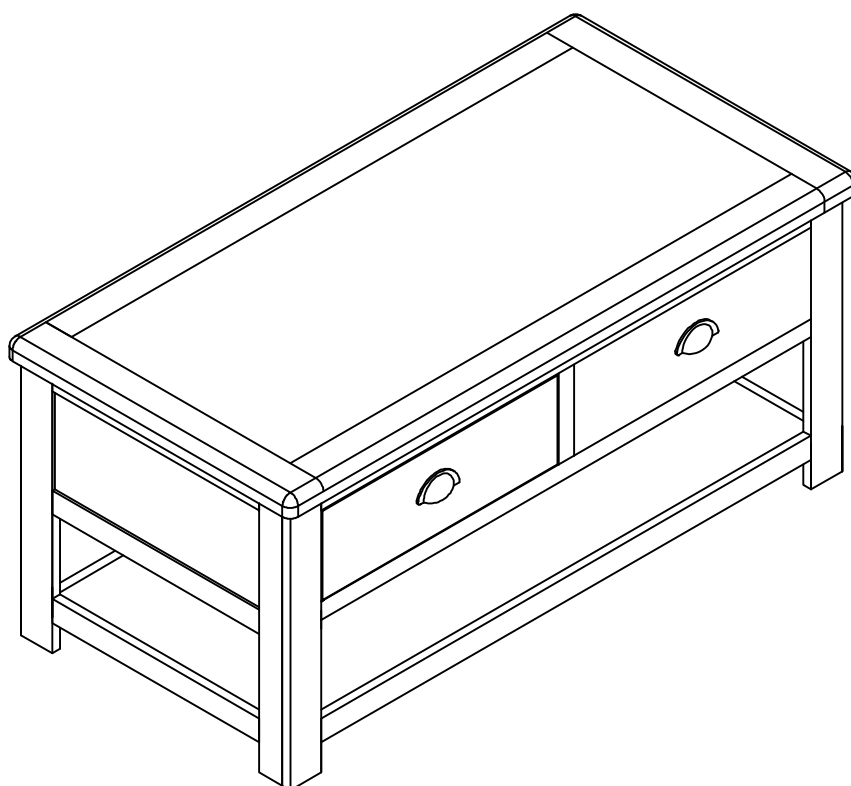
- Assemble all parts and bolts loosely during assembly, only once the product is complete should you fully tighten the bolts.
- Regularly check and ensure that all bolts and fittings are tightened properly.

**Note:** if required the next page can be cut out and used as reference throughout the assembly. Keep this page with these instructions for future reference.

# Components - Panels

If you have damaged or missing components, call the  
Customer Helpline: Argos = 0345 6400800

Please check you have all the panels listed below



**1** Coffee Table (110 x 55 x 50 cm)



# Components - Fittings

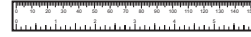
## Tools required



Phillips screwdriver  
(medium & large)



Flatblade screwdriver  
(medium)



Ruler/tape  
measure

## Ruler - Use this ruler to help correctly identify the screws

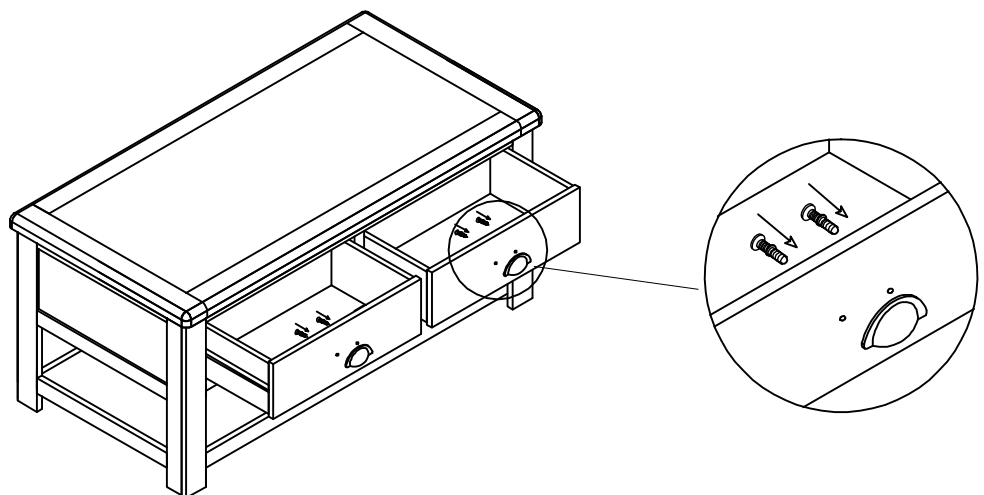
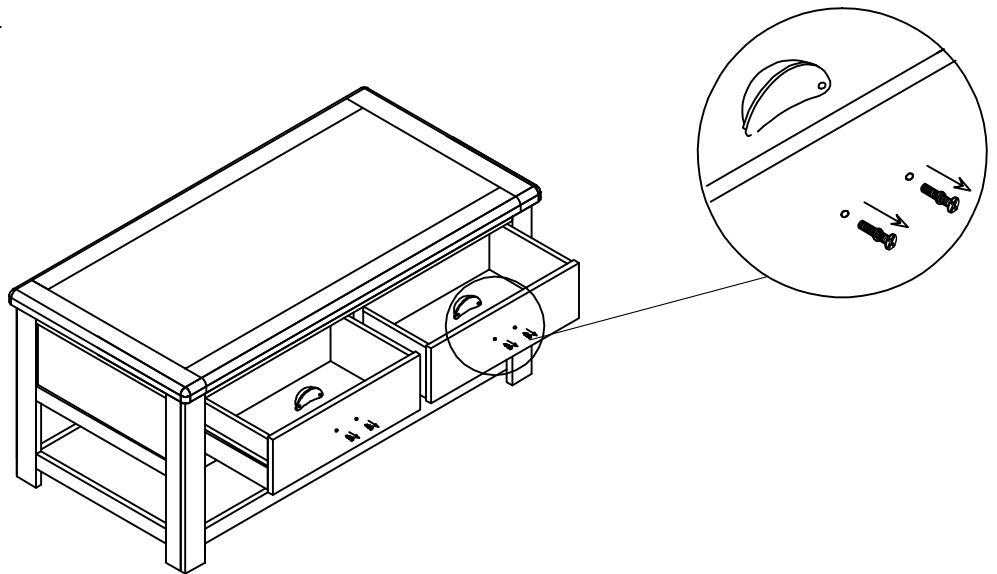


The screws length is measured from the head to the point (15 mm screw shown).

# Assembly Instructions

## Step 1

Drawer handles are pre-assembled reversely. Disassemble the handle and re-attach as shown in the figure.



If you need help or have damaged or missing parts, call the **Customer Helpline:**  
**Argos = 0345 6400800**