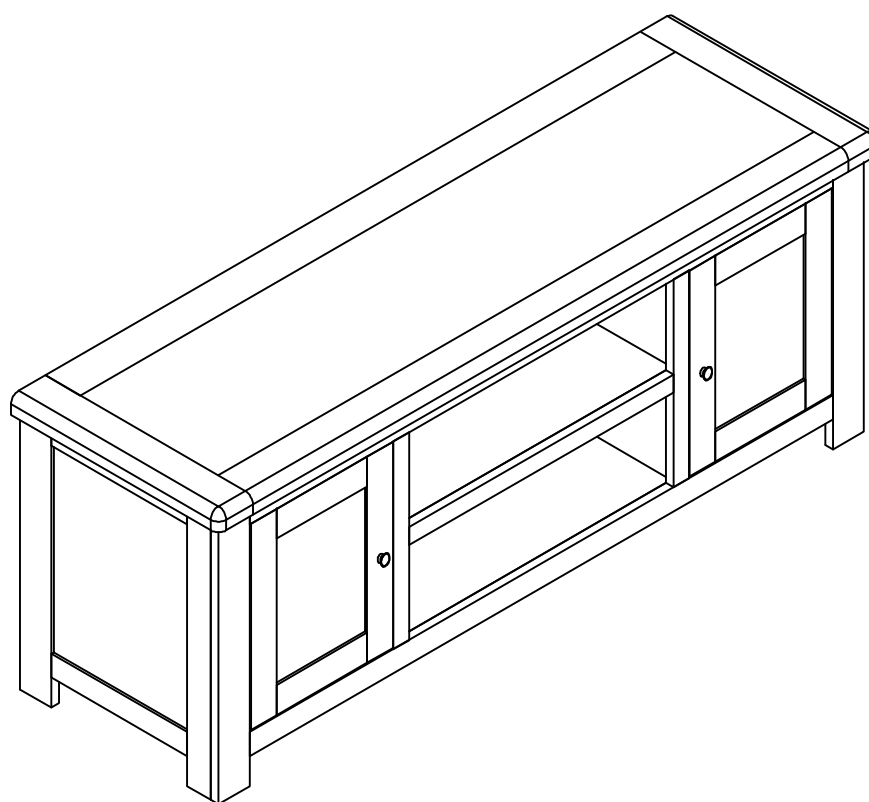


# kent lagre TV bench

Assembly Instructions - Please keep for future reference

276/5350

621/8267



## Dimensions

Width - 128 cm  
Depth - 40 cm  
Height - 50 cm

**Important** - Please read these instructions fully before starting assembly

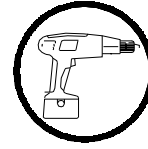
If you need help or have damaged or missing parts, call the **Customer Helpline:**  
**Argos = 0345 6400800**



# Safety and Care Advice

**Important** - Please read these instructions fully before starting assembly

- Check you have all the components and tools listed on the following pages.
- Remove all fittings from the plastic bags and separate them into their groups.
- Keep children and animals away from the work area, small parts could choke if swallowed.
- Make sure you have enough space to layout the parts before starting.
- During assembly do not stand or put weight on the product, this could cause damage.
- Assemble the item as close to its final position (in the same room) as possible.
- Assemble on a soft level surface to avoid damaging the unit or your floor.
- Parts of the assembly will be easier with 2 people.



- To reduce the likelihood of damaging your product please ensure that your power drill is set on a low torque setting.

## Care and maintenance

- Only clean using a damp cloth and mild detergent, do not use bleach or abrasive cleaners.
- From time to time check that there are no loose screws on this unit.
- This product should not be discarded with household waste. Take to your local authority waste disposal centre.

## Handy Hints

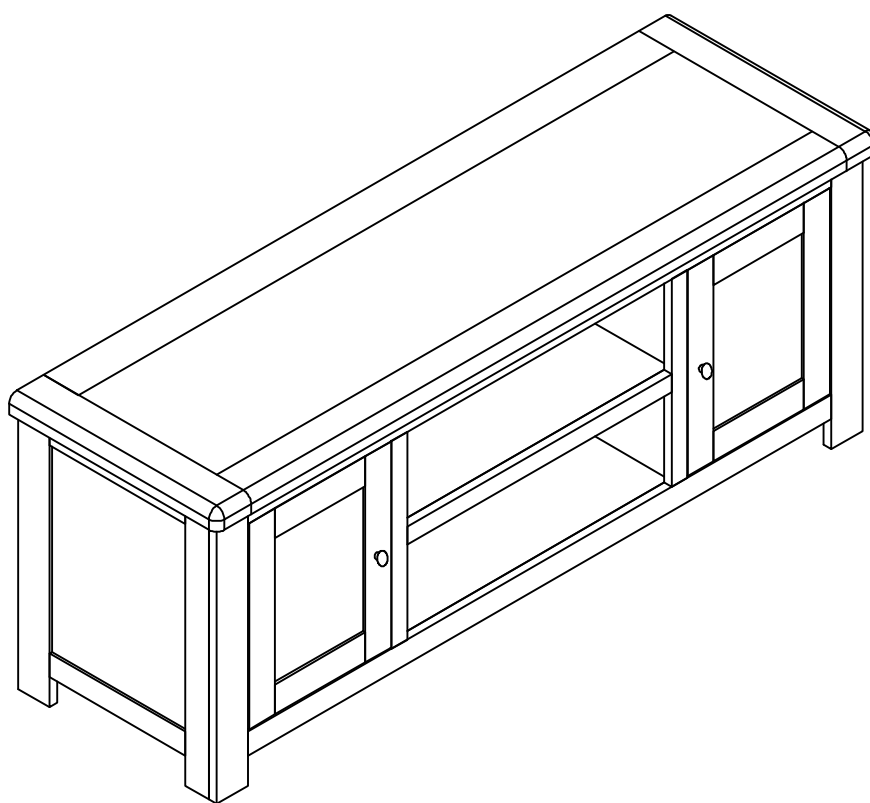
- Assemble all parts and bolts loosely during assembly, only once the product is complete should you fully tighten the bolts.
- Regularly check and ensure that all bolts and fittings are tightened properly.

**Note:** if required the next page can be cut out and used as reference throughout the assembly. Keep this page with these instructions for future reference.

# Components - Panels

If you have damaged or missing components, call the  
**Customer Helpline: Argos = 0345 6400800**

Please check you have all the panels listed below




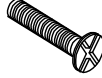
**1** Large TV Bench (128 x 40 x 50 cm)



# Components - Fittings

Please check you have all the fittings listed below

**Note:** The quantities below are the correct amount to complete the assembly. In some cases more fittings may be supplied than are required.

<p><b>A</b></p>  <p>Handle x 2</p>	<p><b>B</b></p>  <p>Screw &amp; Washer x 2</p>
---	---

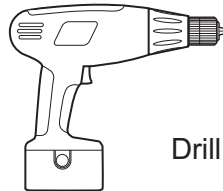
## Tools required



Phillips screwdriver  
(medium & large)



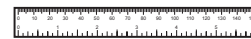
Flatblade screwdriver  
(medium)



Drill

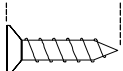


7mm Suitable drill bit  
(for use with wall plug)



Ruler/tape  
measure

## Ruler - Use this ruler to help correctly identify the screws

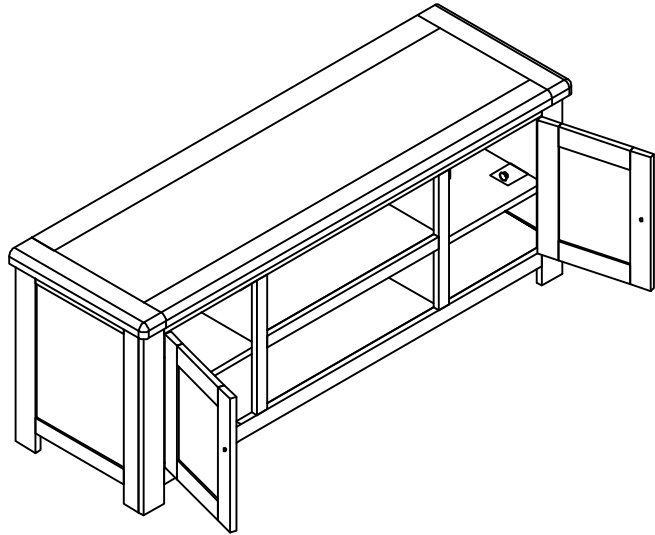


The screws length is measured from the head to the point (15 mm screw shown).

# Assembly Instructions

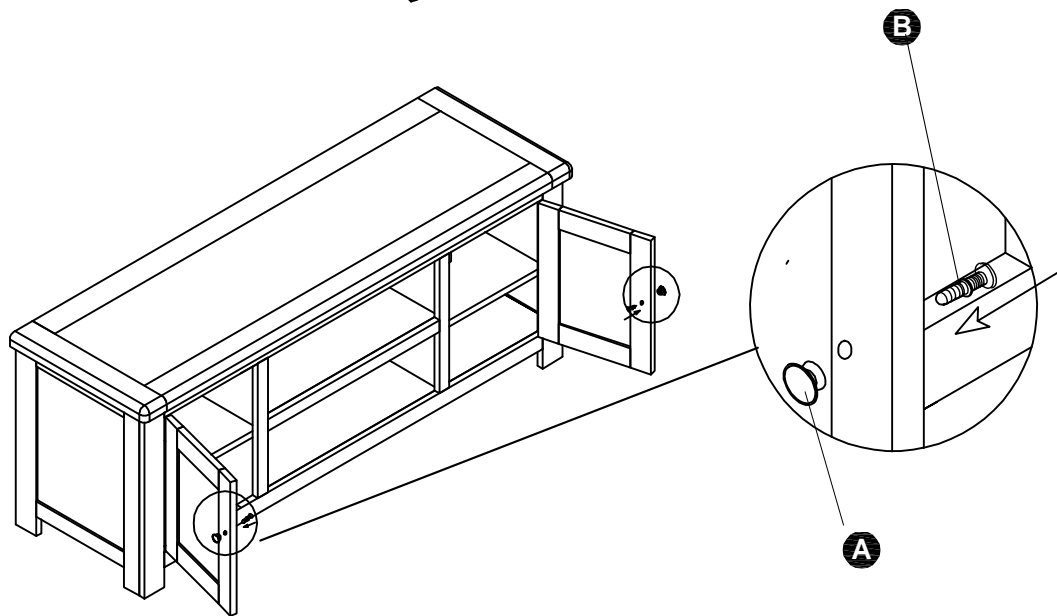
## Step 1

Open the door then remove handle.



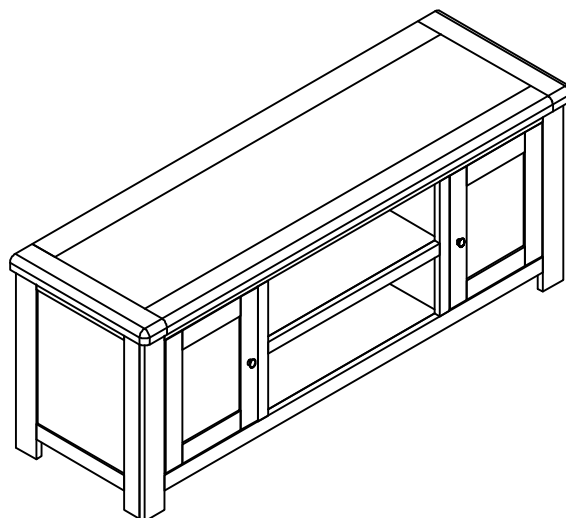
## Step 2

Attach handle **A** to the door then fix handle plate to the drawer using screws and washer **B**.



## Step 3

Assembly is complete.



If you need help or have damaged or missing parts, call the **Customer Helpline:**  
**Argos = 0345 6400800**