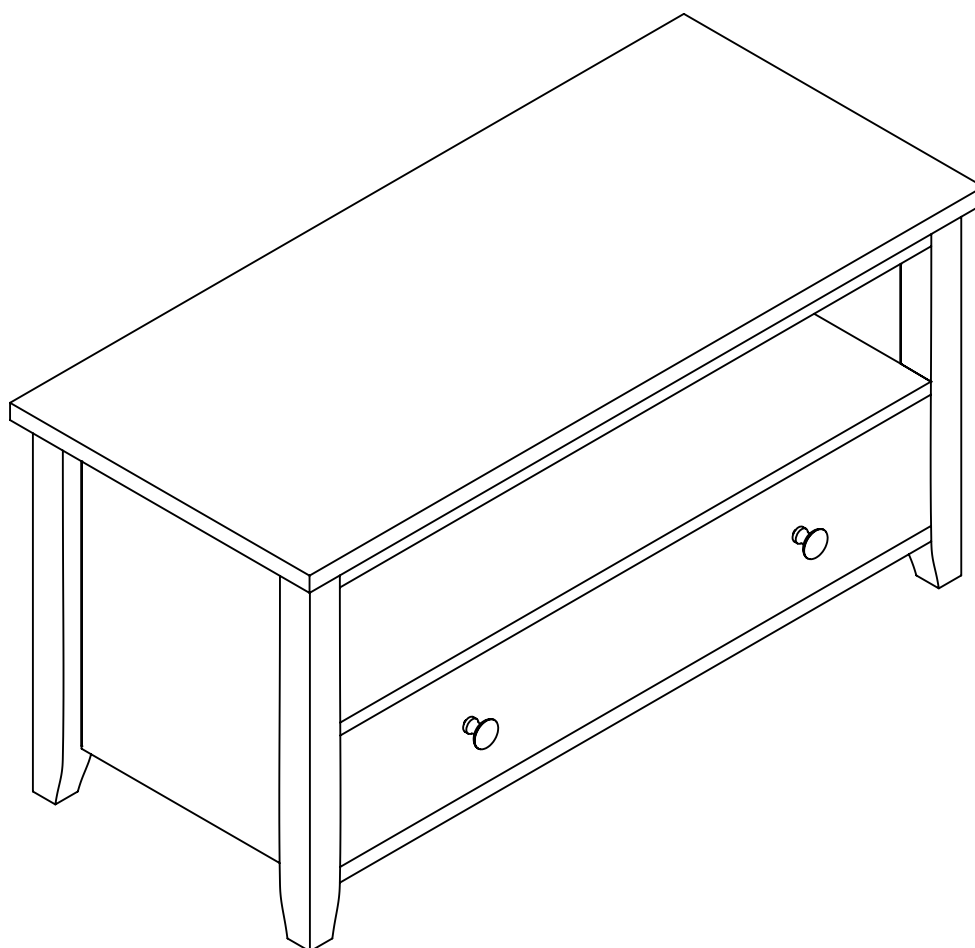


# Henley TV Unit

Assembly Instructions - Please keep for future reference

614 / 3136

614 / 3143



## Dimensions

Width - 90cm

Depth - 40cm

Height - 45cm

**Important - Please read these instructions fully before starting assembly**

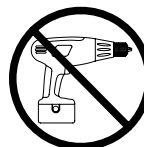
If you need help or have damaged or missing parts, call the **Customer Helpline: 08456 400800**



# Safety and Care Advice

## Important - Please read these instructions fully before starting assembly

- Keep these instructions for future use.
- Check you have all the components and tools listed on pages 2 and 3.
- Do not stand or put excessive weight on the product, this could cause damage.
- Parts of the assembly will be easier with 2 people.
- Dispose of all packaging carefully and responsibly.
- Do not use this item if any components are missing or damaged.
- During assembly children should be kept away from the product due to possible risk of injury.
- Remove all fittings from the plastic bags and separate them into their groups.
- To ensure an easier assembly, we strongly advise that all fittings are only finger tightened during initial assembly. Only upon completion of the assembly should all fixing points be fully tightened.



- We do not recommend the use of power drill/drivers **for inserting screws**,

as this could damage the unit. Only use hand screwdrivers.

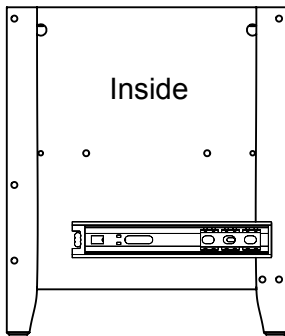
## Care and maintenance

- Clean using a damp cloth or a proprietary domestic furniture polish. Do not use abrasive cleaners.
- This product should not be discarded with household waste. Take to your local authority waste disposal only.
- From time to time check that there are no loose screws on this unit.

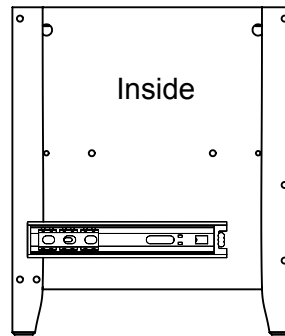
# Components - Parts

If you have damaged or missing components, call the **Customer Helpline: 08456 400800**

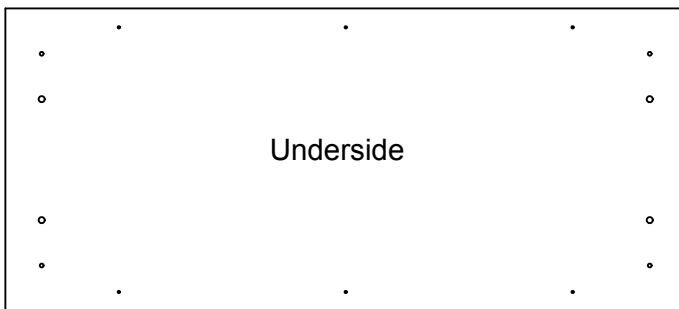
Please check you have all the parts listed below



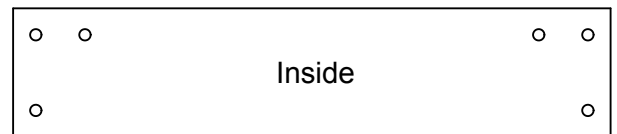
**1** Side panel (right)  
(37 x 43.2cm)



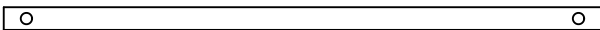
**2** Side panel (left)  
(37 x 43.2cm)



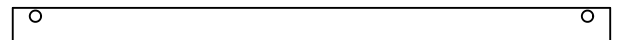
**3** Top (90 x 40cm)



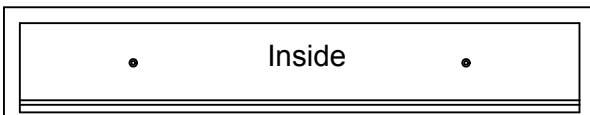
**4** Back panel (79 x 16.8cm)



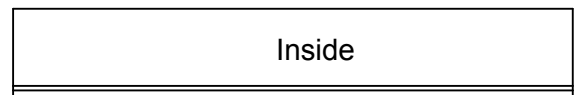
**5** Upper stretcher x 2 (79 x 3cm)



**6** Lower stretcher (79 x 4.5cm)



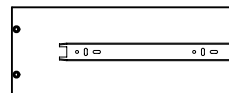
**7** Drawer front (78.4 x 14.8cm)



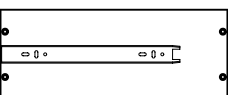
**8** Drawer back (74 x 11.8 cm)



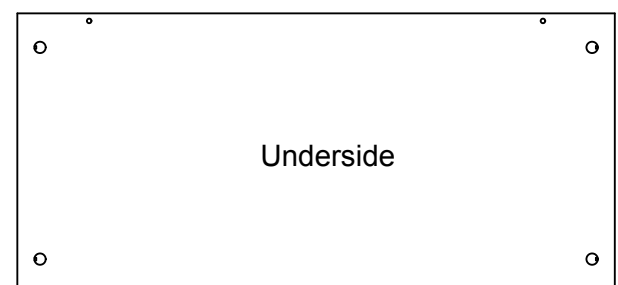
**9** Drawer base (75 x 28.6cm)



**10** Drawer side panel (left)  
(30 x 11.8cm)



**11** Drawer side panel (right)  
(30 x 11.8cm)









**12** Shelf (79 x 36.9cm)

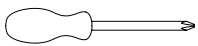
# Components - Fittings

Please check you have all the fittings listed below

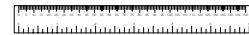
**Note:** The quantities below are the correct amount to complete the assembly. In some cases more fittings may be supplied than are required.

<b>A</b>  Metal dowel x 20	<b>B</b>  Wood dowel x 10	<b>C</b>  Locking nut x 20
<b>D</b>  25mm Screw x 14	<b>E</b>  19mm Screw x 2	<b>F</b>  Drawer handle x 2

## Tools required

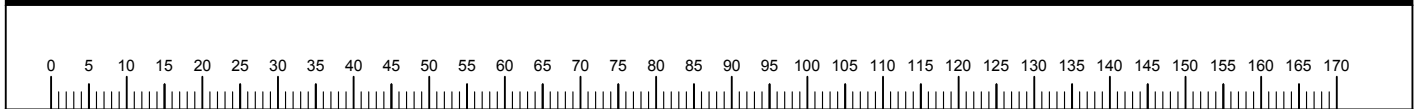


Phillips screwdriver  
(medium & large)



Ruler/tape  
measure

## Ruler - Use this ruler to help correctly identify the screws



# Assembly Instructions

## Step 1

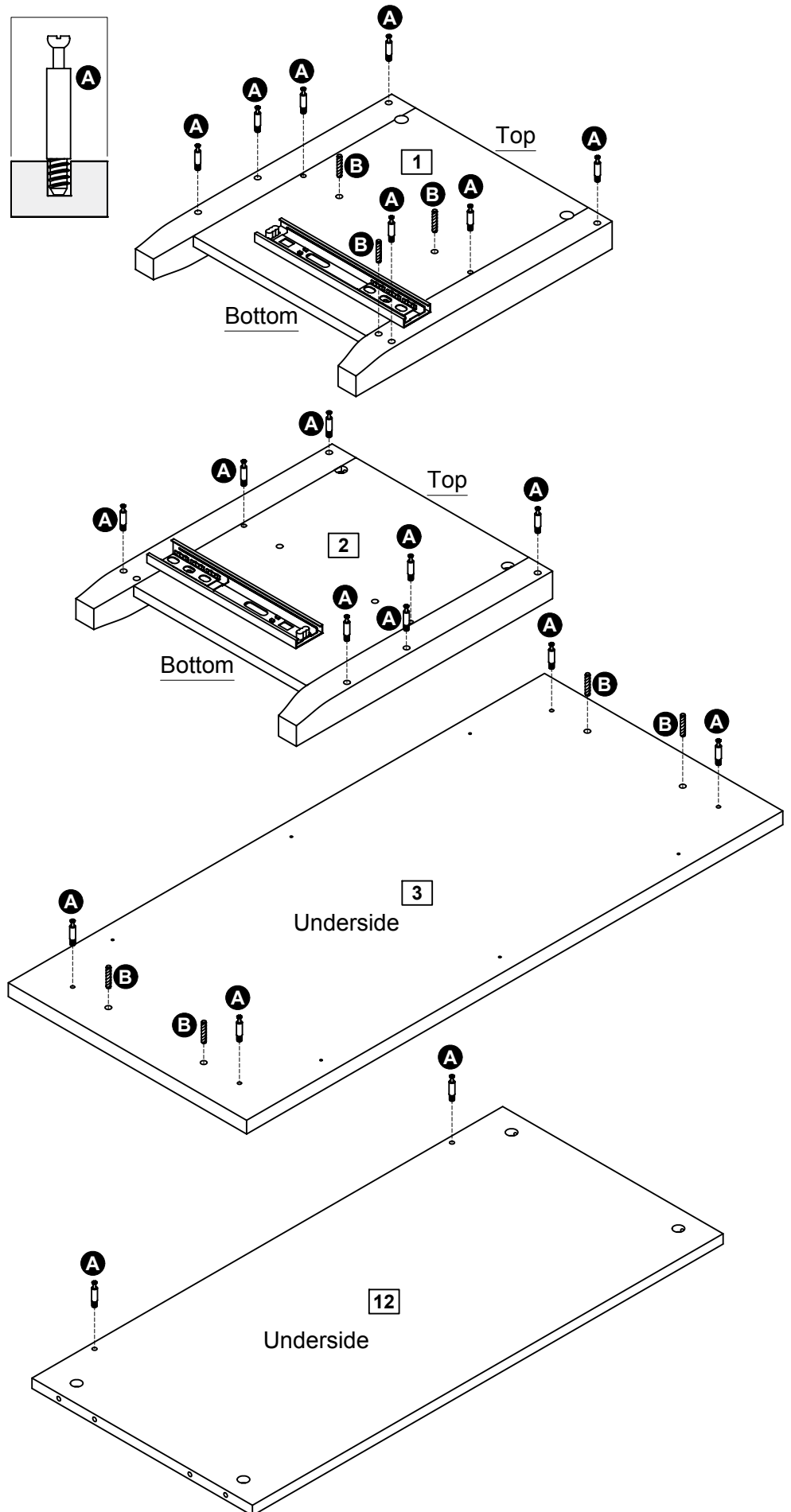
### Preparing panels

Place left and right side panels **1** and **2** and top panel **3** and shelf **12** flat on the floor with the fixing holes facing up.

Screw metal dowels **A** into panels **1**, **2**, **3** and **12** as shown.

**Note:** Insert metal dowels as far as shown. Do not overtighten.

Insert wood dowels **B** into right side panel **1** and top **3** as shown.



# Assembly Instructions

## Step 2

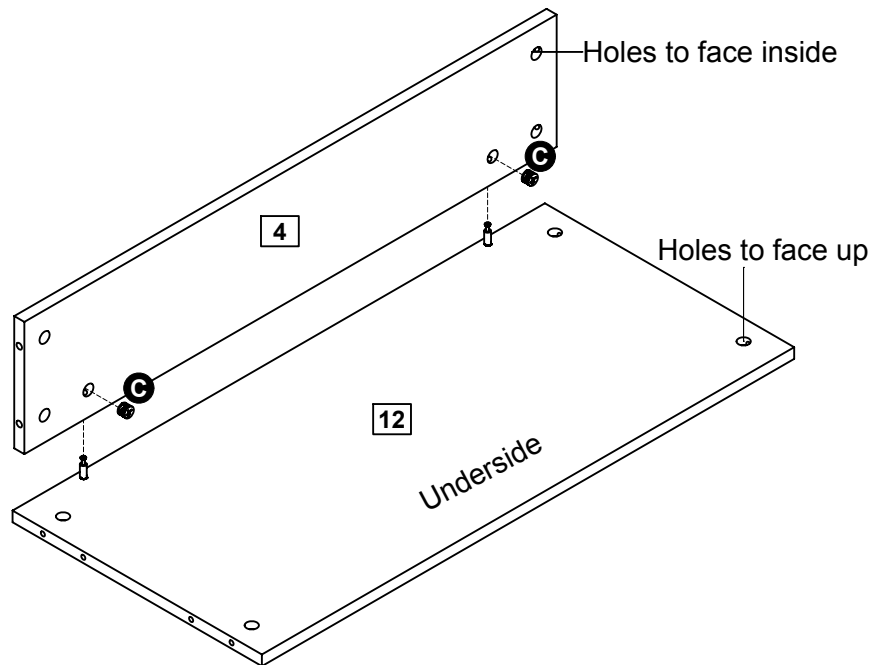
### Attaching back panel

Locate back panel **4** onto shelf **12**.

**Note:** Ensure the fixing holes are all facing in as shown.

Insert locking nuts **C** into the holes in back panel **4** as shown.

Using a screwdriver, turn locking nuts **C** clockwise to secure.



## Step 3

### Attaching right side panel

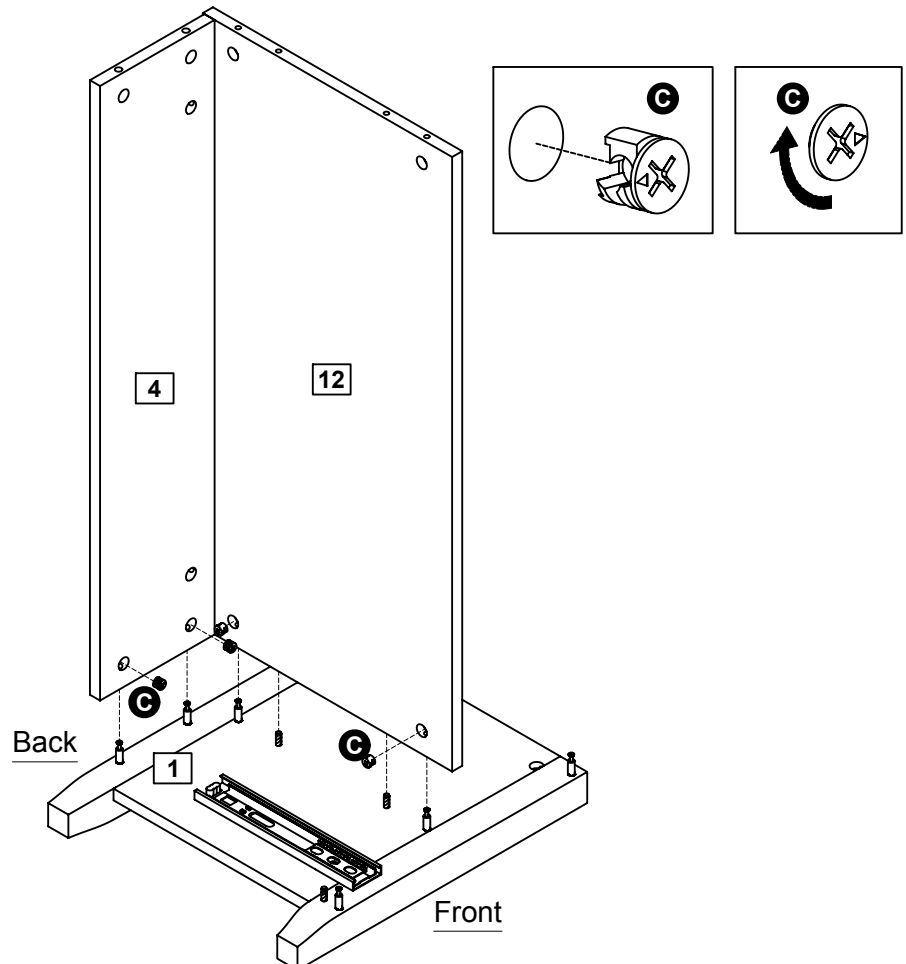
Lay right side panel **1** flat on the floor.

With help, carefully locate the shelf assembly onto the side panel.

**Note:** Ensure back panel **4** is located at the back of right side panel **1**.

Insert locking nuts **C** into the holes in back panel **4** and shelf **12** as shown.

Using a screwdriver, turn locking nuts **C** clockwise to secure.



# Assembly Instructions

## Step 4

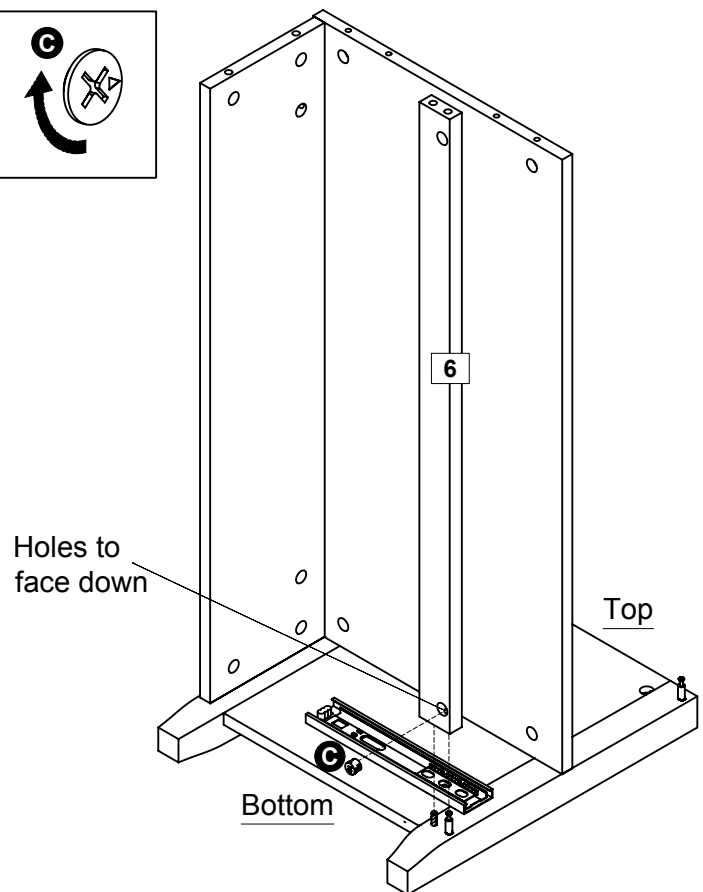
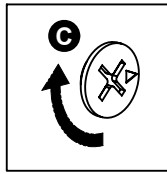
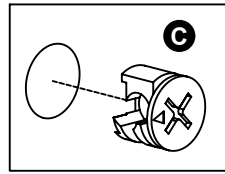
### Attaching lower stretcher

Locate lower stretcher **6** onto right side panel **1**.

**Note:** Ensure the fixing holes are facing down.

Insert locking nuts **C** into the holes in lower stretcher **6** as shown.

Using a screwdriver, turn locking nuts **C** clockwise to secure.



## Step 5

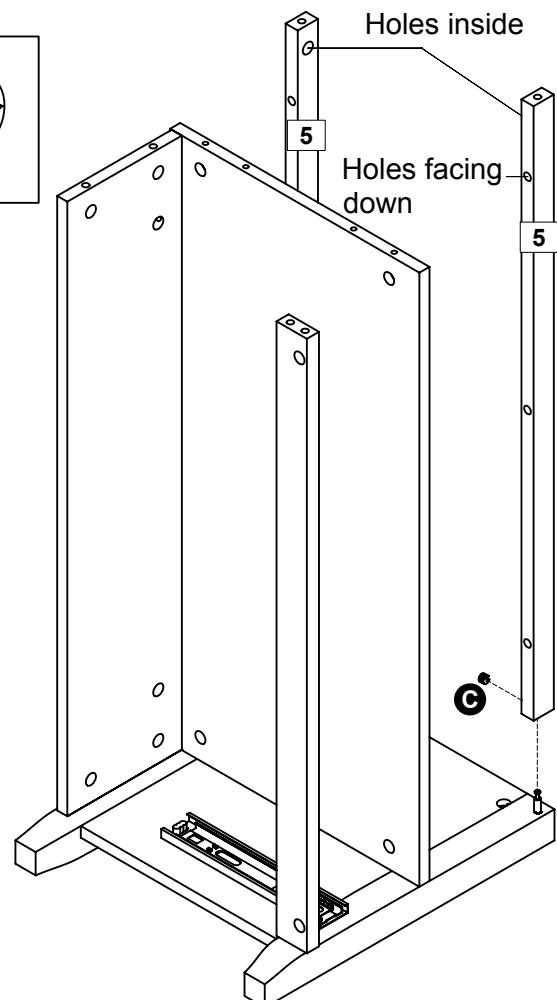
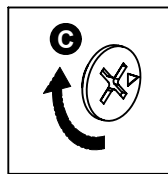
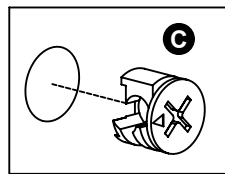
### Attaching top stretchers

Locate top stretchers **5** onto right side panel **1**.

**Note:** Ensure the fixing holes are facing inside and down as shown.

Insert locking nuts **C** into the holes in stretchers **5** as shown.

Using a screwdriver, turn locking nuts **C** clockwise to secure.



# Assembly Instructions

## Step 6

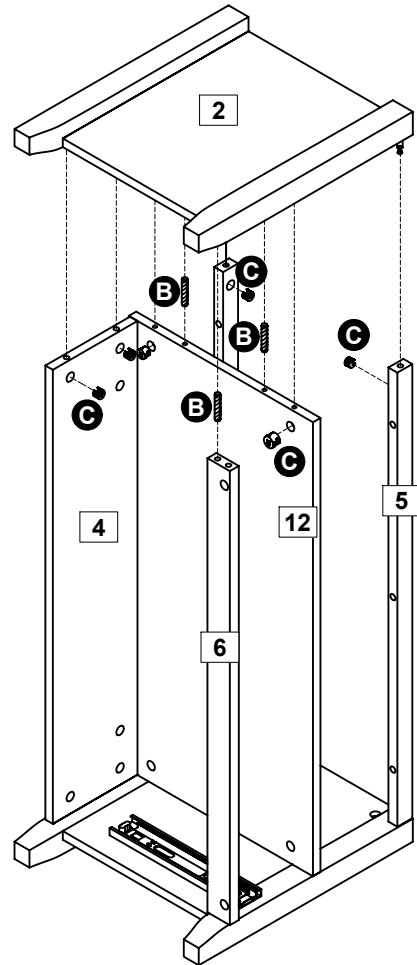
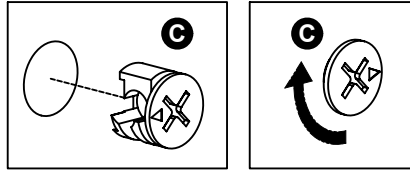
### Attaching left side panel

Insert wood dowels **B** into the ends of lower stretcher **6** and shelf **12** as shown.

With help, carefully align left side panel **2** and locate into position.

Insert locking nuts **C** into back panel **4**, shelf **12** and stretchers **5** and **6**.

Turn locking nuts clockwise to secure.



## Step 7

### Attaching top panel

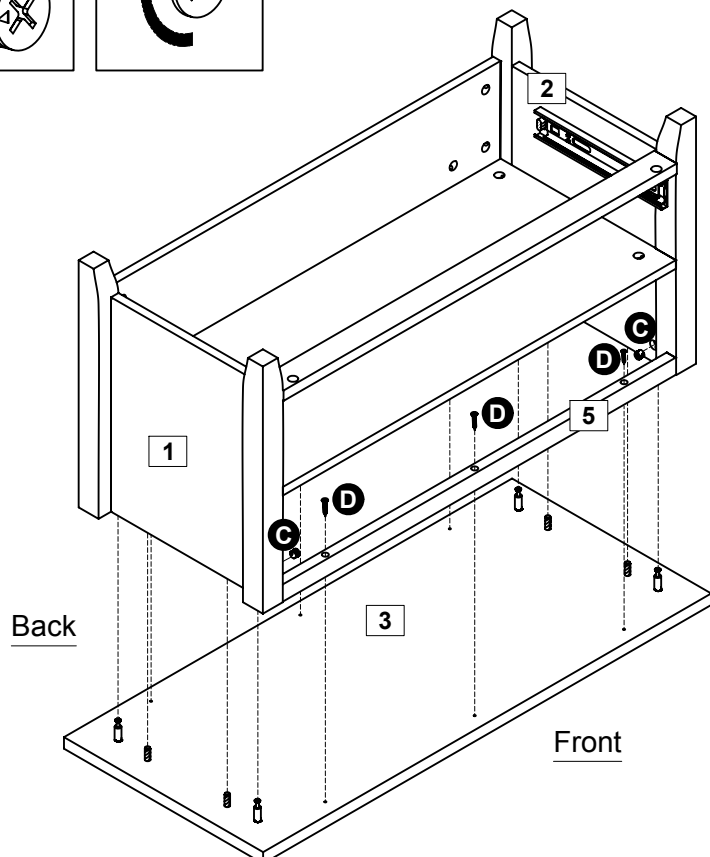
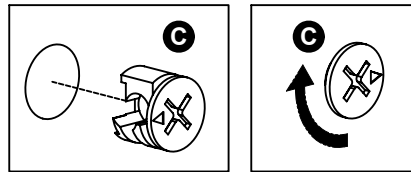
Place top **3** upside down onto a clean flat surface.

With help, turn the unit body upside down and locate it onto top **3**.

Insert locking nuts **C** into the holes in side panels **1** and **2**.

Turn locking nuts clockwise to secure.

Finally secure top **3** using screws **D** through stretchers **5**.





# Assembly Instructions

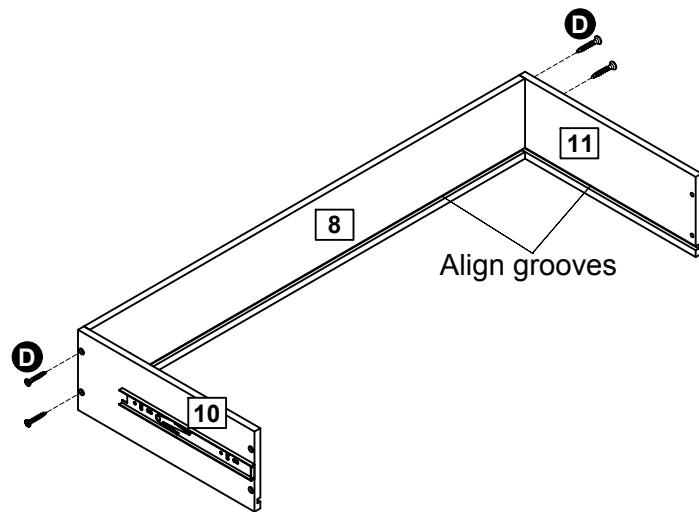
## Step 8

### Assembling drawer

**a:** Assemble drawer side panels **10** and **11** and drawer back **8** together using screws **D**.

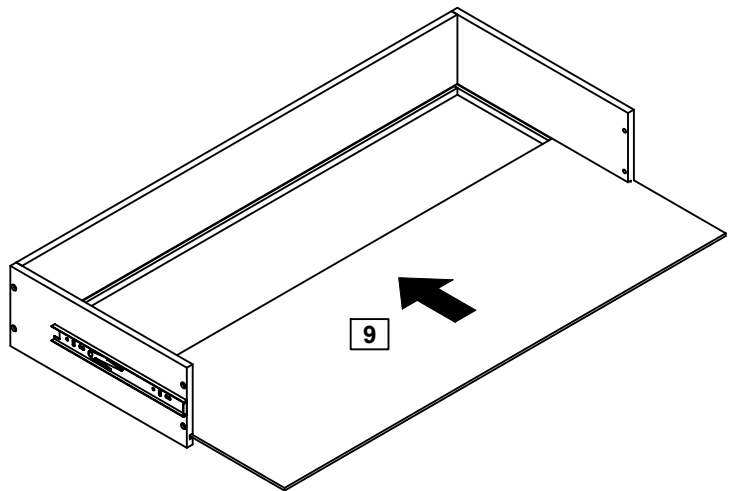
**Note:** Ensure the grooves in all 3 panels are aligned at the bottom.

**a:**



**b:** Slide drawer base **9** into the grooves as shown.

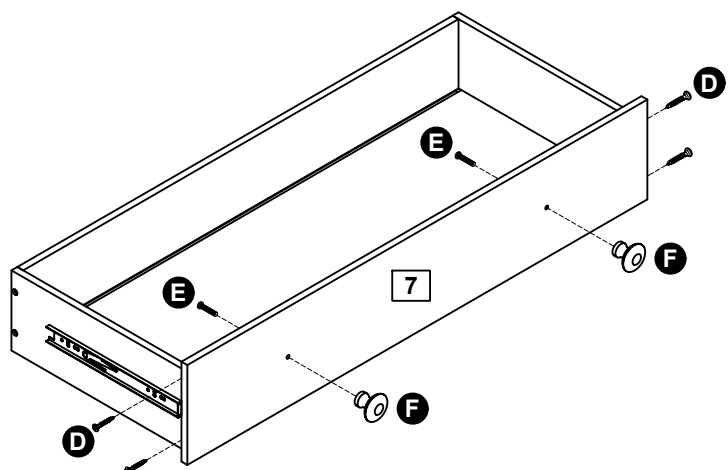
**b:**



**c:** Assemble drawer front **7** using screws **D**.

Attach drawer handles **F** using screws **E**.

**c:**



# Assembly Instructions

## Step 9

### Locating drawer

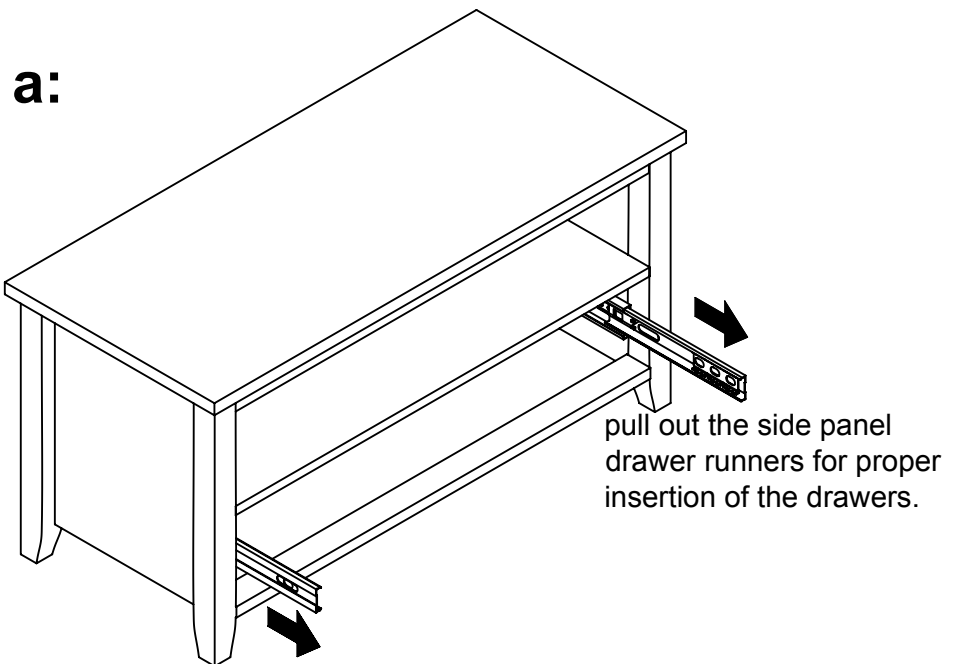
Carefully stand the unit upright.



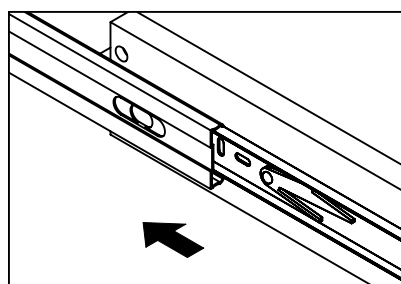
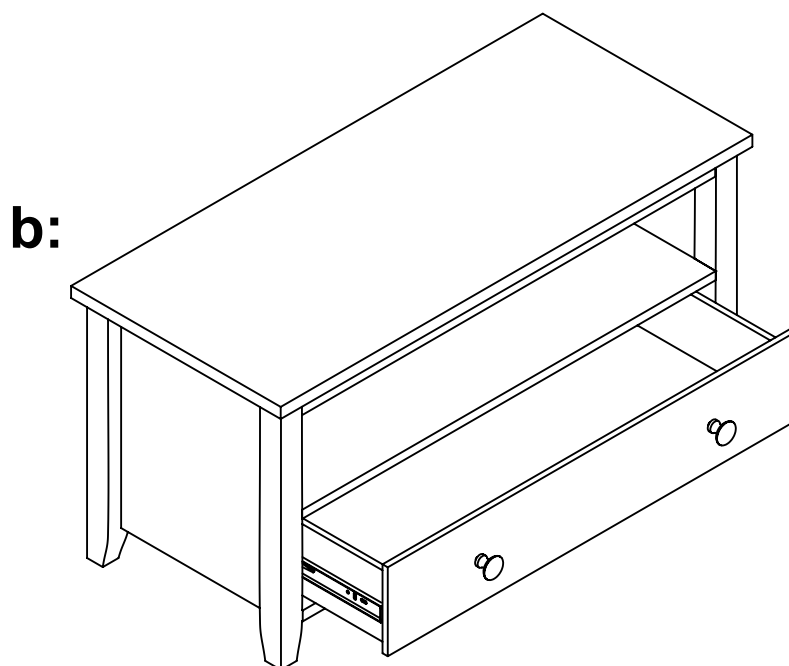
**Warning:**

The table is heavy!  
Lift with care.

**a:** Fully extend all drawer runners out as shown.



**b:** Carefully locate the runners on the drawers, into the runners on the main unit.



Line up the drawer runners on the drawers on both sides so that they enter evenly into the extended receiving runners as shown. Gently push in the drawer until the drawer is secure and slides in and out smoothly.

**Assembly is complete.**

If you need help or have damaged or missing parts, call the **Customer Helpline: 08456 400800**  
Justwise Group LTD., 6 The Shires, Shire Hill Industrial Estate, Saffron Walden Essex. CB11 3AP