

# New Sywell - 3+3 Drawer Chest

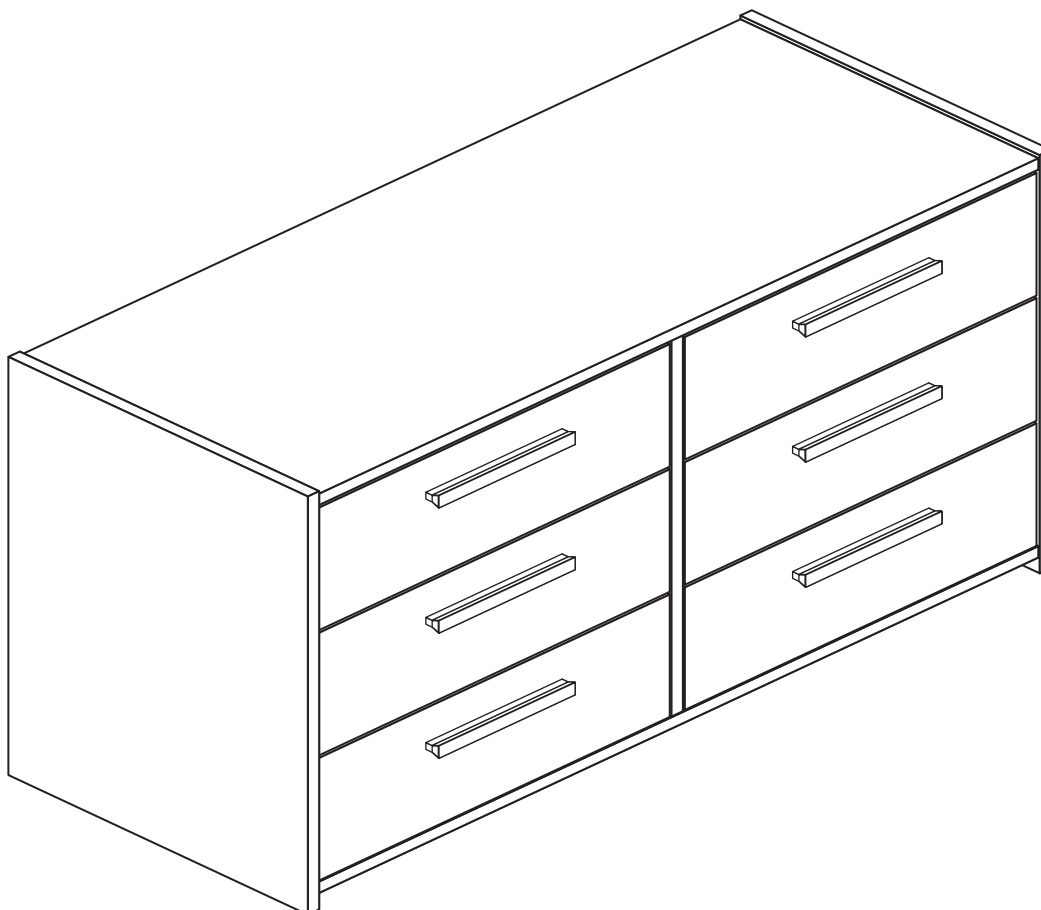
Assembly Instructions - Please keep for future reference

282/7920

278/1406

287/0049

275/7375



## Dimensions

Width - 98.5cm

Depth - 40cm

Height - 55.5cm



**MADE IN  
BRITAIN**

**Important** - Please read these instructions fully before starting assembly

If you need help or have damaged or missing parts, call the **Customer Helpline: 08456 400800**



# Safety and Care Advice

**Important - Please read these instructions fully before starting assembly**

- **Warning:** This unit weighs approximately 28.5kgs. Please lift with care.

- Check you have all the components and tools listed on pages 2 and 3.

- Remove all fittings from the plastic bags and separate them into their groups.

- Keep children and animals away from the work area, small parts could choke if swallowed.

- Parts of the assembly will be easier with 2 people.

- Make sure you have enough space to layout the parts before starting.

- Do not stand or put weight on the product, this could cause damage.

- Assemble the item as close to its final position (in the same room) as possible.

- Assemble on a soft level surface to avoid damaging the unit or your floor (use opened out unit carton).



- We do not recommend the use of power drill/drivers **for inserting screws**, as this could damage the unit. Only use hand screwdrivers.

- **Safety note:** If there is any chance of this unit being pulled over by children etc. it is recommended that the unit is secured to a wall using suitable fixings (not supplied).

- Dispose of all packaging carefully and responsibly.

## Care and maintenance

- Only clean using a damp cloth and mild detergent, do not use bleach or abrasive cleaners.

- From time to time check that there are no loose screws on this unit.

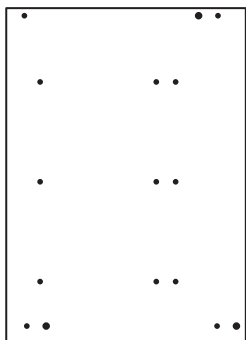
- This product should not be discarded with household waste. Take to your local authority waste disposal centre.

**Note:** If required the next page can be cut out and used as reference throughout the assembly. Keep this page with these instructions for future reference.

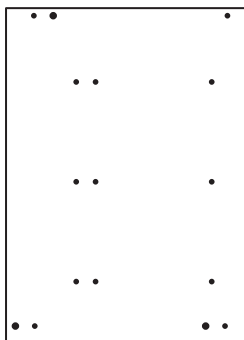
# Components - Panels

If you have damaged or missing components, call the **Customer Helpline: 08456 400800** quoting the reference numbers below

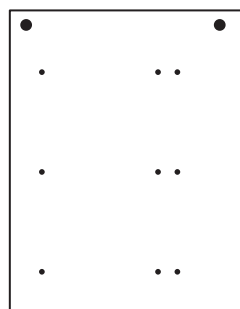
Please check you have all the panels listed below



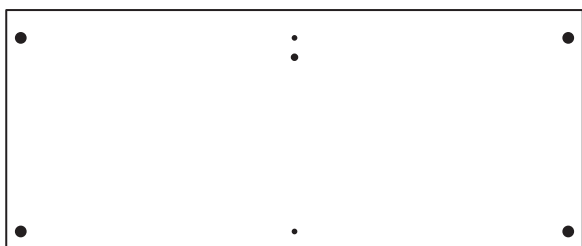
**1** Left Side (D2547A)  
(553 x 396mm)



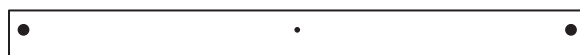
**2** Right Side (D2548A)  
(553 x 396mm)



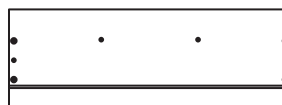
**3** Divider (D2565A)  
(498 x 393mm)



**4** Top (D2564A)  
(953 x 394mm)



**5** Rail (D2566A)  
(953 x 78mm) x 2



**6** Drawer Front (D2567A)  
(465 x 162mm) x 6



**7** Left Drawer Side (W370-124LH)  
(370 x 124mm) x 6



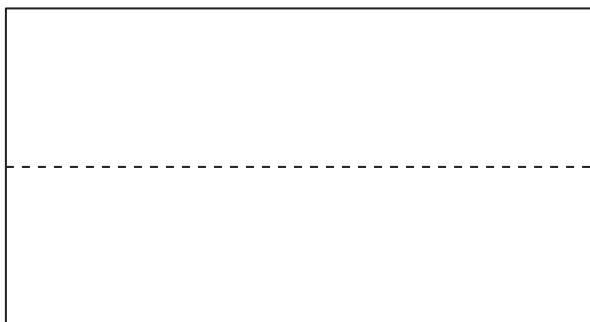
**8** Right Drawer Side (W370-124RH)  
(370 x 124mm) x 6



**9** Drawer Back (W436-124)  
(436 x 124mm) x 6



**10** Drawer Base (T447-367)  
(447 x 367mm) x 6



**11** Back (X979-524)  
(979 x 524mm)

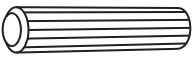
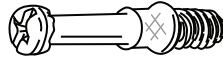



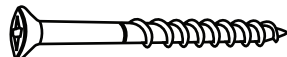

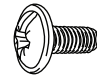

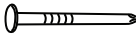
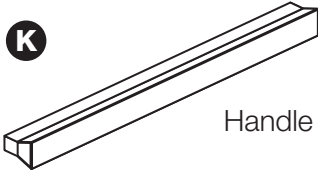
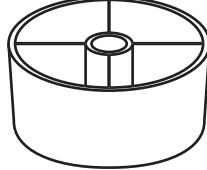





# Components - Fittings

If you have damaged or missing components, call the **Customer Helpline: 08456 400800** quoting the reference numbers below

Please check you have all the fittings listed below

**Note:** The quantities below are the correct amount to complete the assembly. In some cases more fittings may be supplied than are required.

<p><b>A</b> </p> <p>Wooden dowel (F22) x 7</p>	<p><b>B</b> </p> <p>Metal dowel (F901) x 22</p>	<p><b>C</b> </p> <p>Knock-in Peg (F171) x 24</p>
<p><b>D</b> </p> <p>Large locking nut (F900) x 10</p>	<p><b>E</b> </p> <p>Small locking nut (F3) x 12</p>	<p><b>F</b> </p> <p>45mm Screw (F65) x 2</p>
<p><b>G</b> </p> <p>25mm Screw (F95) x 12</p>	<p><b>H</b> </p> <p>9mm Screw (F74) x 12</p>	<p><b>I</b> </p> <p>9mm Screw (F73) x 24</p>
<p><b>J</b> </p> <p>Nail (F51) x 20</p>	<p><b>K</b> </p> <p>Handle (F315) x 6</p>	<p><b>L</b> </p> <p>Feet (F854) x 2</p>
<p><b>M</b> </p> <p>Drawer runner (F1004) x12</p>		
<p><b>N</b> </p> <p>Wedgefix (F639) x 12</p>	<p><b>O</b> </p> <p>Plastic Nail (F91) x 4</p>	

## Tools required



Rule



Cross-head screwdriver



Scissors



Hammer

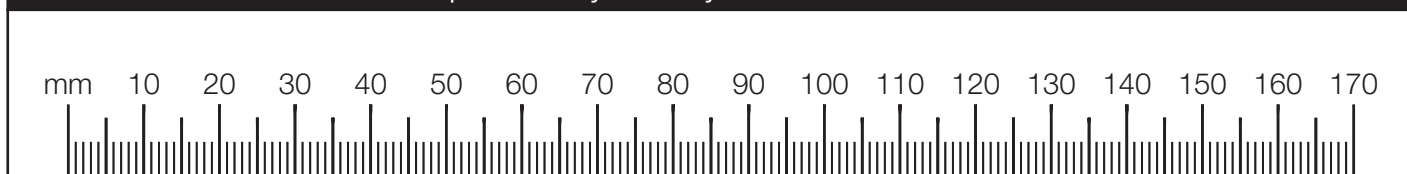


Eye protection (when using a hammer or drill)



Electric drill (do not use for fitting screws)

Ruler - Use this ruler to help correctly identify the screws



# Assembly Instructions

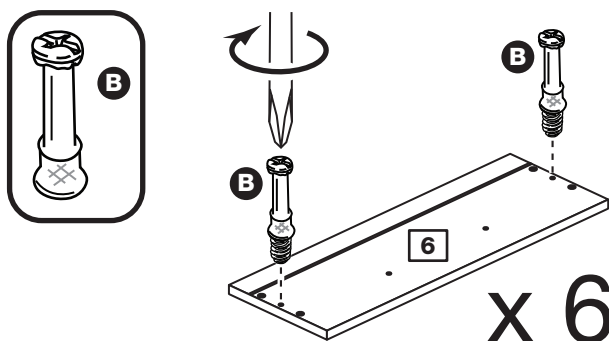
If you have damaged or missing components, call the  
**Customer Helpline: 08456 400800** quoting the reference  
numbers below

## Step 1

### Prepare the 6 drawer fronts

Screw 2 metal dowels **B** into the holes shown on the back of each drawer front **6**.

**Note:** Tighten the metal dowels up fully against the panels.

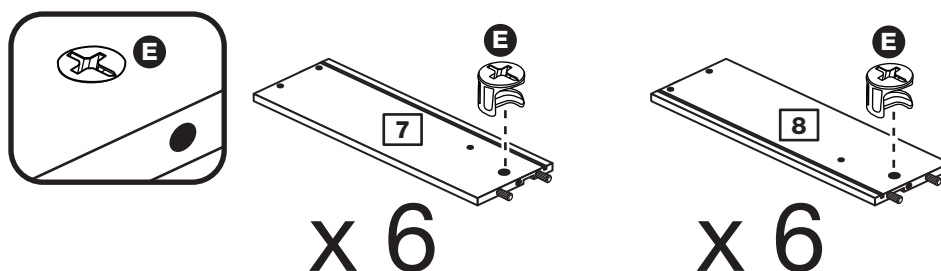


## Step 2

### Prepare the drawer sides

Insert a small locking nut **E** into the hole shown on the left drawer side **7** and right drawer side **8**.

**Note:** Arrow on locking nut **must** point towards hole in edge of panel.



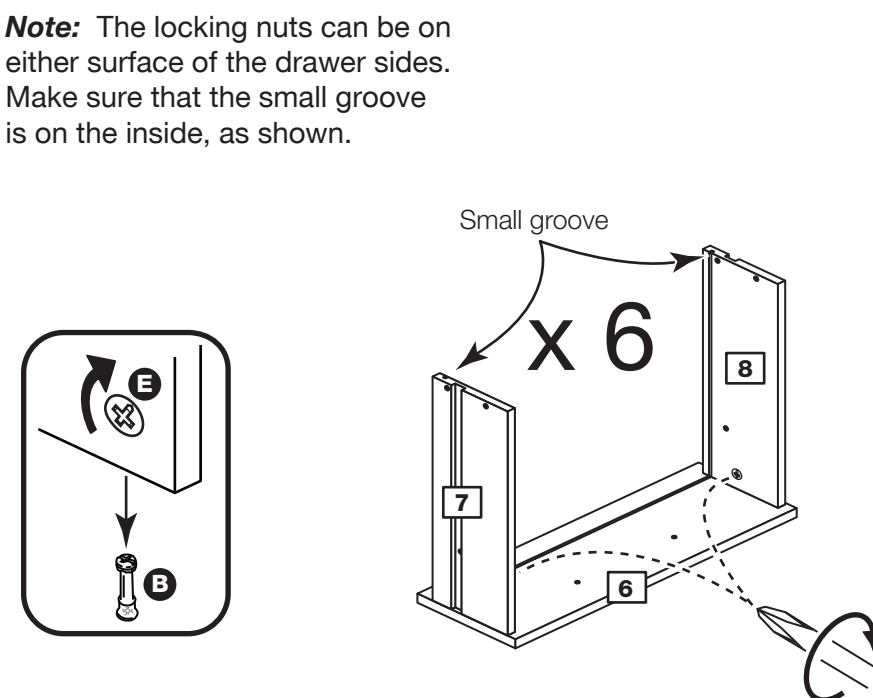
## Step 3

### Attach the drawer sides to the drawer front

Push the left drawer side **7** and right drawer side **8** onto the back of the drawer front **6**.

Turn the small locking nuts **E** on the left drawer side **7** and right drawer side **8**.

**Note:** Turn the locking nuts **E** clockwise to secure panels - more than 1/2 a turn.

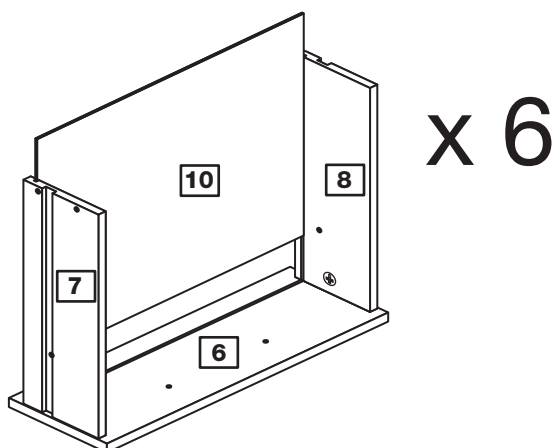


# Assembly Instructions

## Step 4

### Fit the drawer base

Slide the drawer base **10** down the grooves in the drawer sides **7** and **8** and down into the groove in the drawer front **6**.



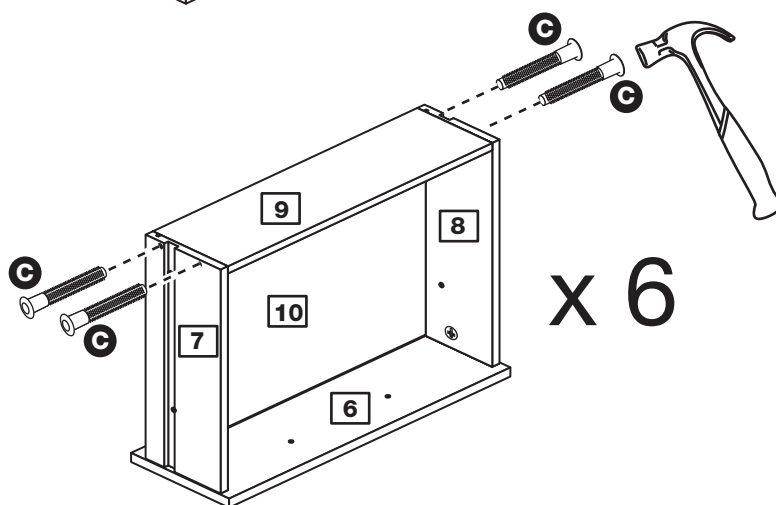
## Step 5

### Fit the drawer back

Fit the drawer back **9** down onto the drawer base **10**.

Make sure that the drawer base **10** fits into the groove in the drawer back **9**.

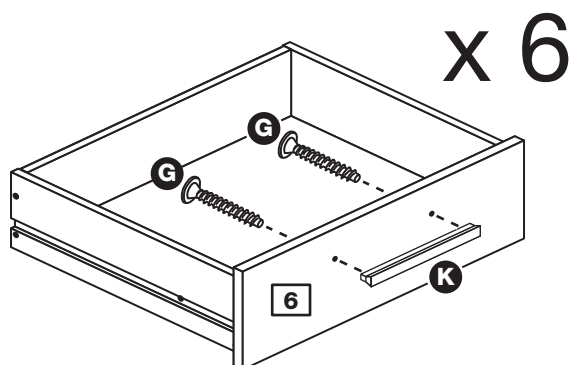
Hold the drawer back **9** in position and tap the knock-in pegs **C** through the holes in the drawer sides **7** and **8**.



## Step 6

### Attach the handles

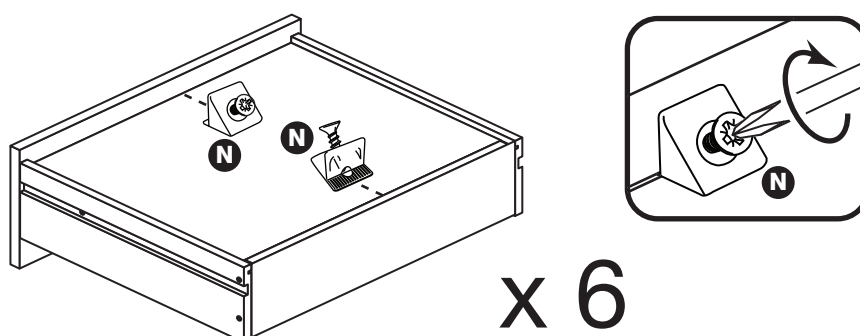
Attach a handle **K** to each drawer front **6** using 2 screws **G**.



## Step 7

### Fit the wedgifixes

Turn the drawer assemblies over and slide 2 wedgifixes **N** into the front and back grooves, as shown, and tighten up the screws.



# Assembly Instructions

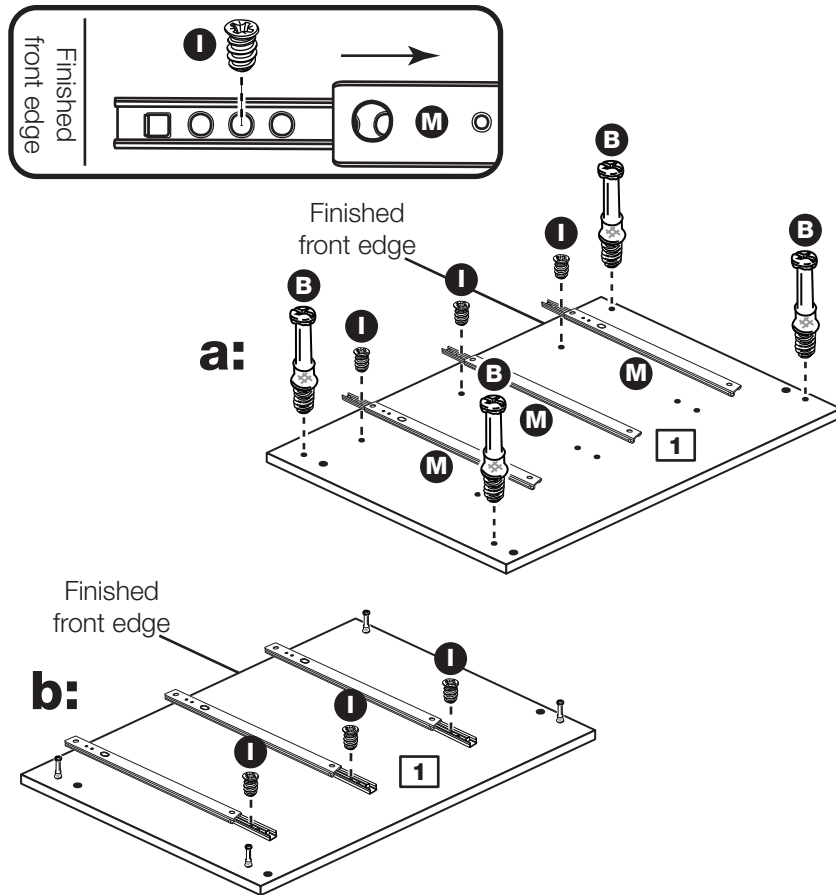
## Step 8

### Prepare the left side

**a:** Place 3 runners **M** on the left side **1**. Slide back the top of the runner and use the 2nd hole from the front to fit the 1st screw **I**.

Screw 4 metal dowels **B** into the left side **1**.

**b:** Slide the runner **M** back the other way and fit the 2nd screw **I** into the corresponding hole in the left side **1**.



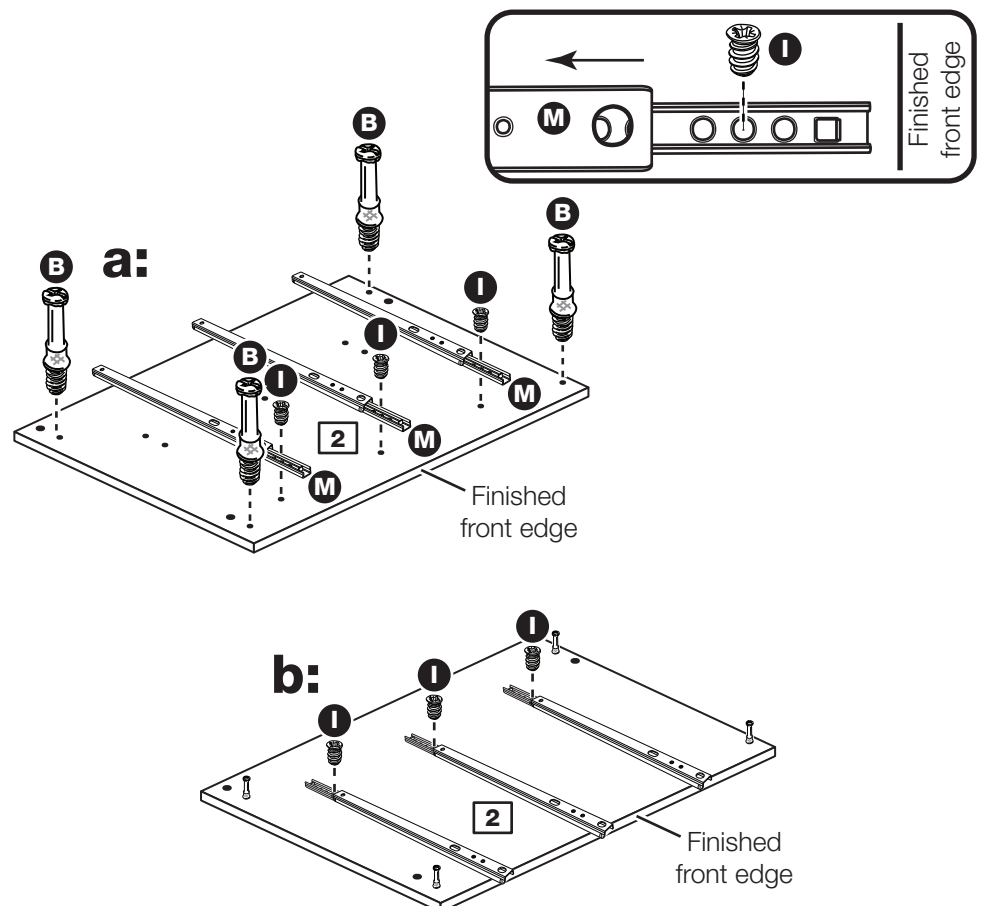
## Step 9

### Prepare the right side

**a:** Place 3 runners **M** on the right side **2**. Slide back the top of the runner and use the 2nd hole from the front to fit the 1st screw **I**.

Screw 4 metal dowels **B** into the right side **2**.

**b:** Slide the runner **M** back the other way and fit the 2nd screw **I** into the corresponding hole in the right side **2**.



# Assembly Instructions

## Step 10

### Prepare the top

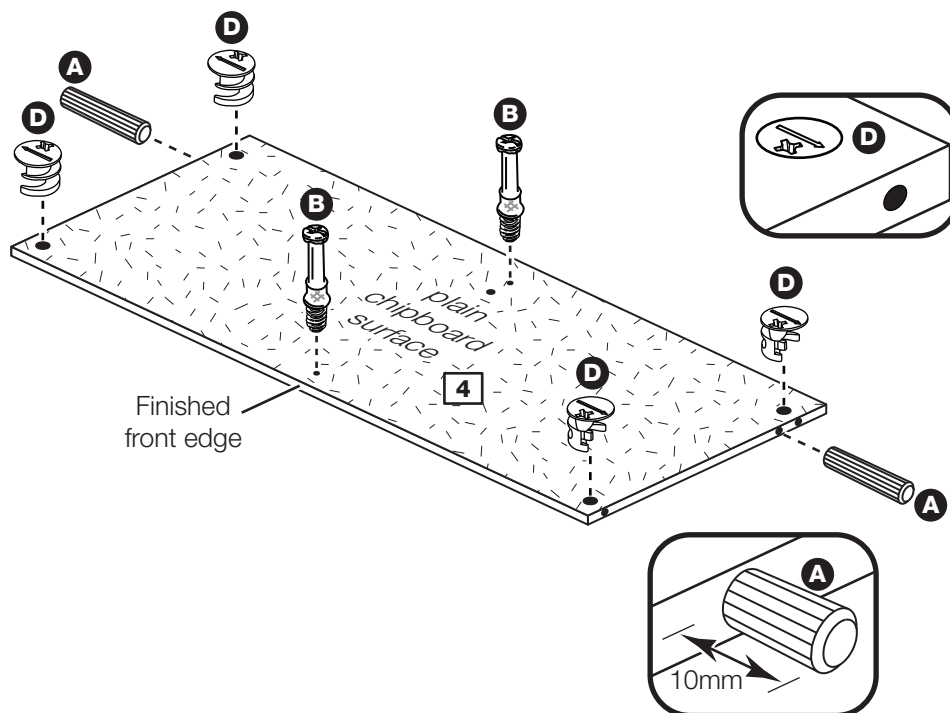
Tap 2 wooden dowels **A** into the top **4**.

**Note:** Wooden dowels **must not** stick out from the edge by more than 10mm or they may damage other panels.

Insert 4 large locking nuts **D** into the top **4**.

**Note:** The arrow on the locking nut **must** point towards the hole in the edge of the panel.

Screw 2 metal dowels **B** into the top **4**.



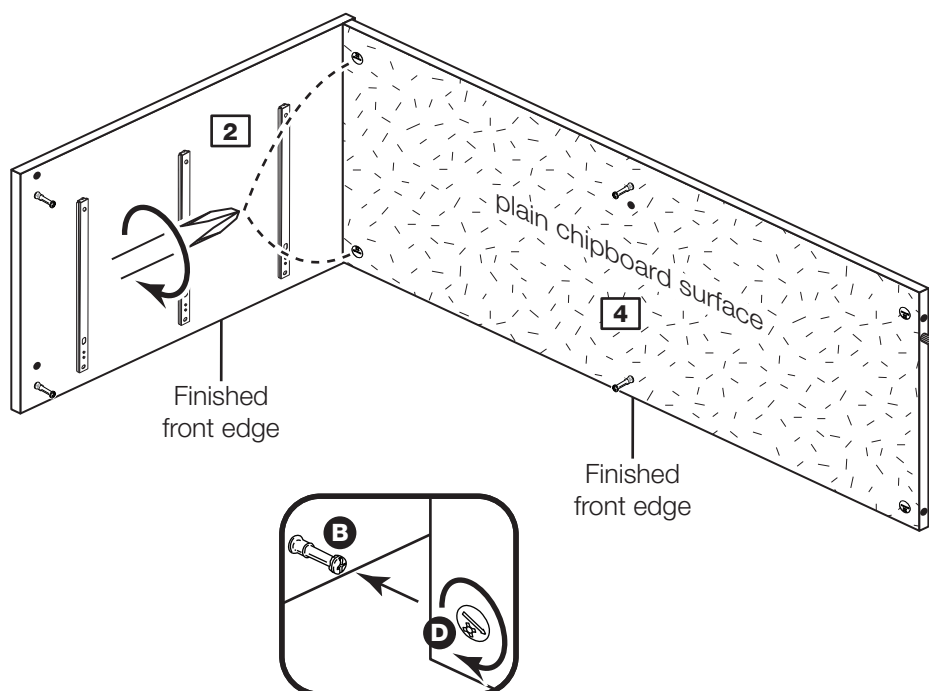
## Step 11

### Fit the top to the right side

Push the top **4** onto the right side **2**.

Use a screwdriver to tighten the 2 large locking nuts **D** fitted to the top **4**.

**Note:** Turn the large locking nuts **D** as far as they will go - more than 1/2 a turn.





# Assembly Instructions

## Step 12

### Prepare the divider

**a:** Place 3 runners **M** on the divider **3**. Slide back the top of the runner and use the 2nd hole from the front to fit the 1st screw **I**.

Insert 2 large locking nuts **D** into the divider **3**.

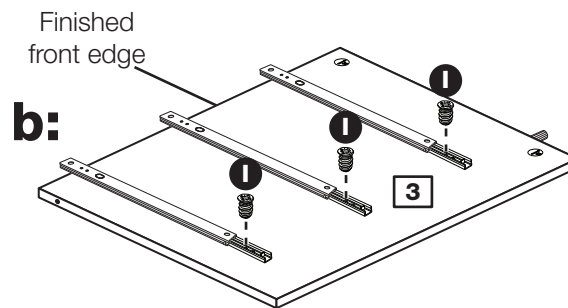
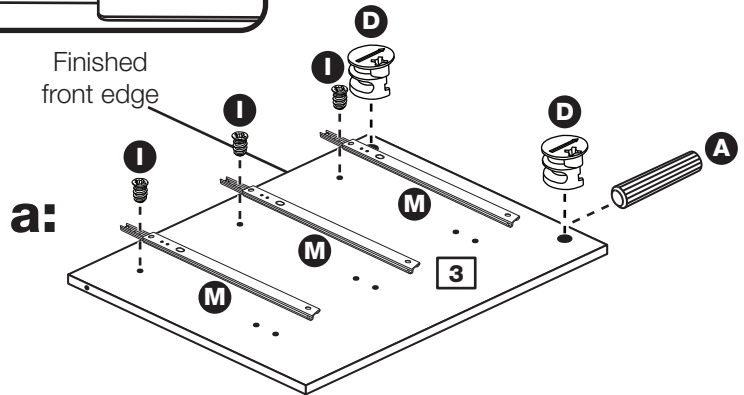
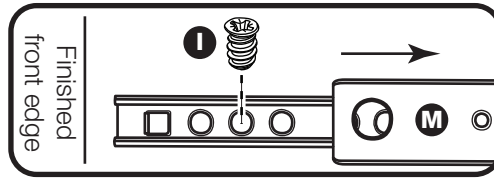
Tap a wooden dowel **A** into the upright **3**.

**b:** Slide the runner **M** back the other way and fit the 2nd screw **I** into the corresponding hole in the divider **3**.

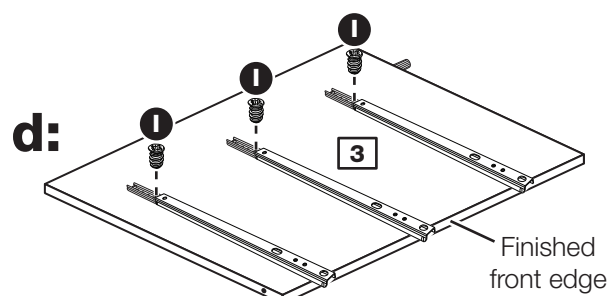
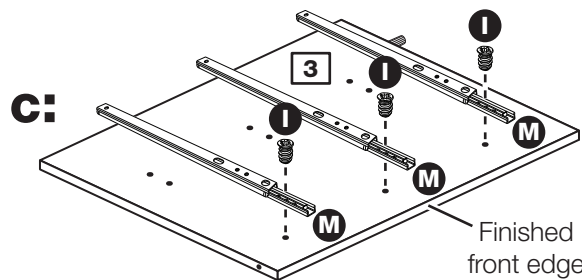
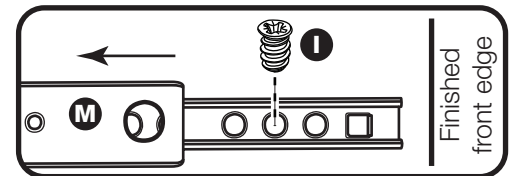
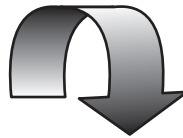
### Turn the divider over

**c:** Place 3 runners **M** on the divider **3**. Slide back the top of the runner and use the 2nd hole from the front to fit the 1st screw **I**.

**d:** Slide the runner **M** back the other way and fit the 2nd screw **I** into the corresponding hole in the divider **3**.



Turn the divider over



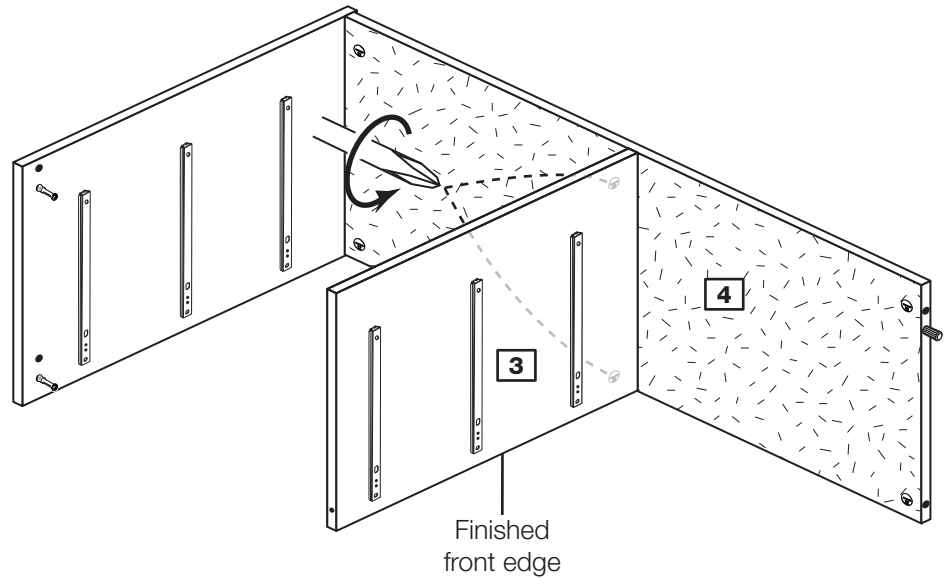
# Assembly Instructions

## Step 13

### Fit the divider

Push the divider **3** onto the top **4**.

Use a screwdriver to tighten the 2 large locking nuts **D** fitted to the divider **3**.

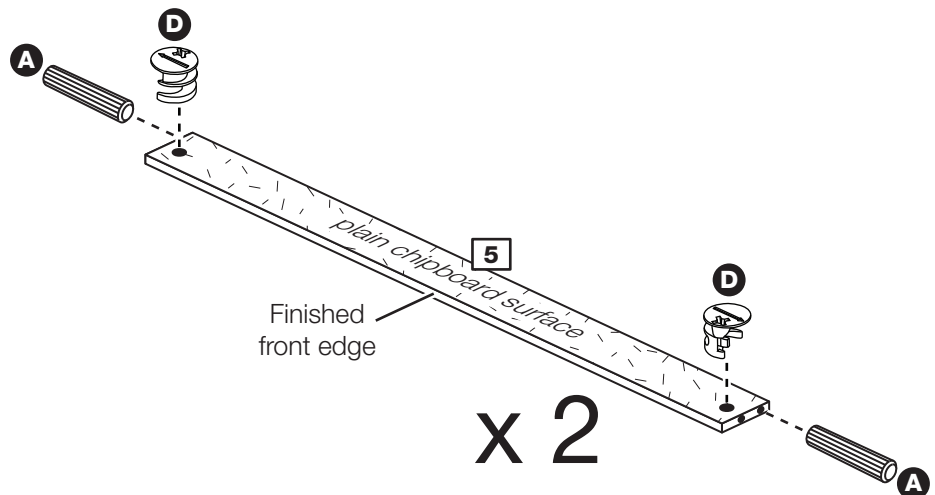


## Step 14

### Prepare the 2 rails

Tap 2 wooden dowels **A** into each of the 2 rails **5**.

Insert 2 large locking nuts **D** into each of the 2 rails **5**.

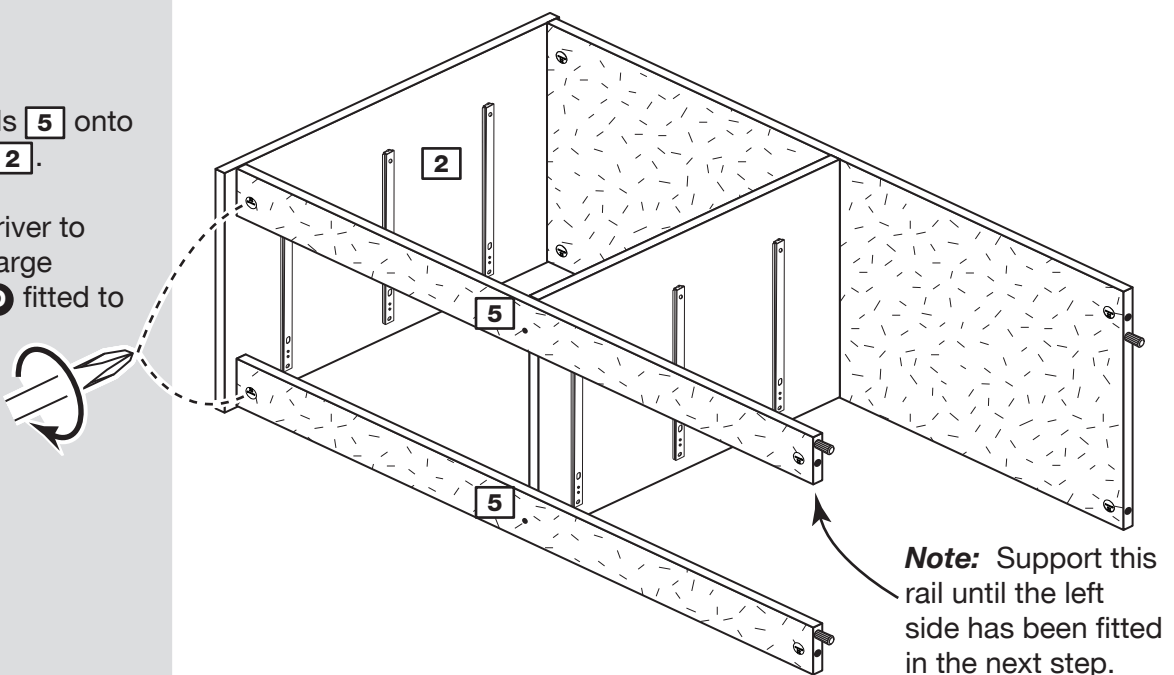


## Step 15

### Fit the rails

Push the 2 rails **5** onto the right side **2**.

Use a screwdriver to tighten the 2 large locking nuts **D** fitted to the rails **5**.



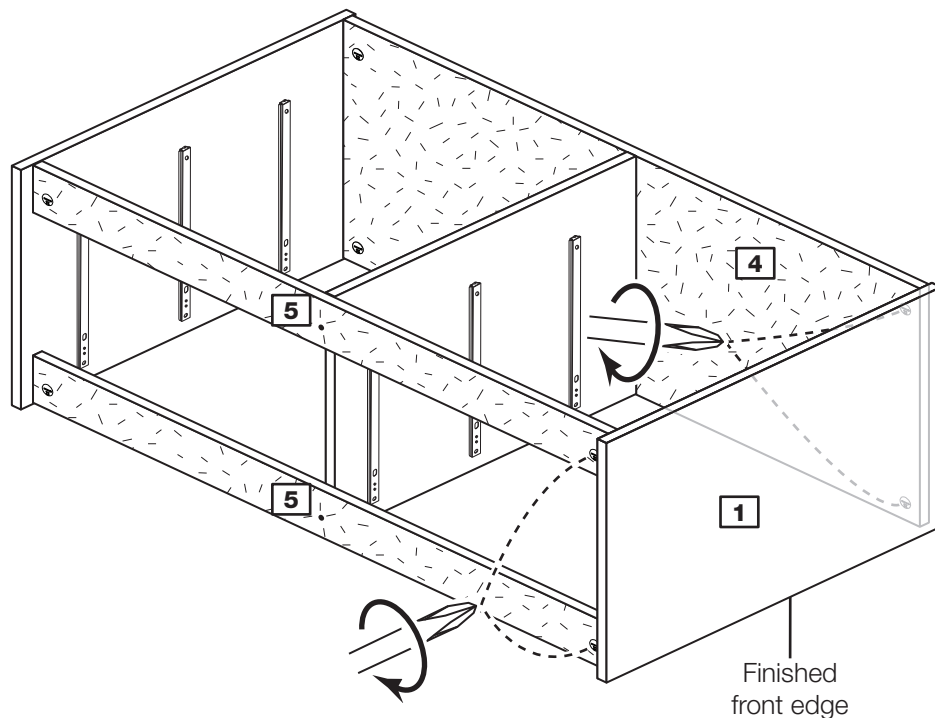
# Assembly Instructions

## Step 16

### Fit the left side

Push the left side **1** onto the assembly.

Use a screwdriver to tighten the 4 large locking nuts **D** fitted to the top **4** and rails **5**.

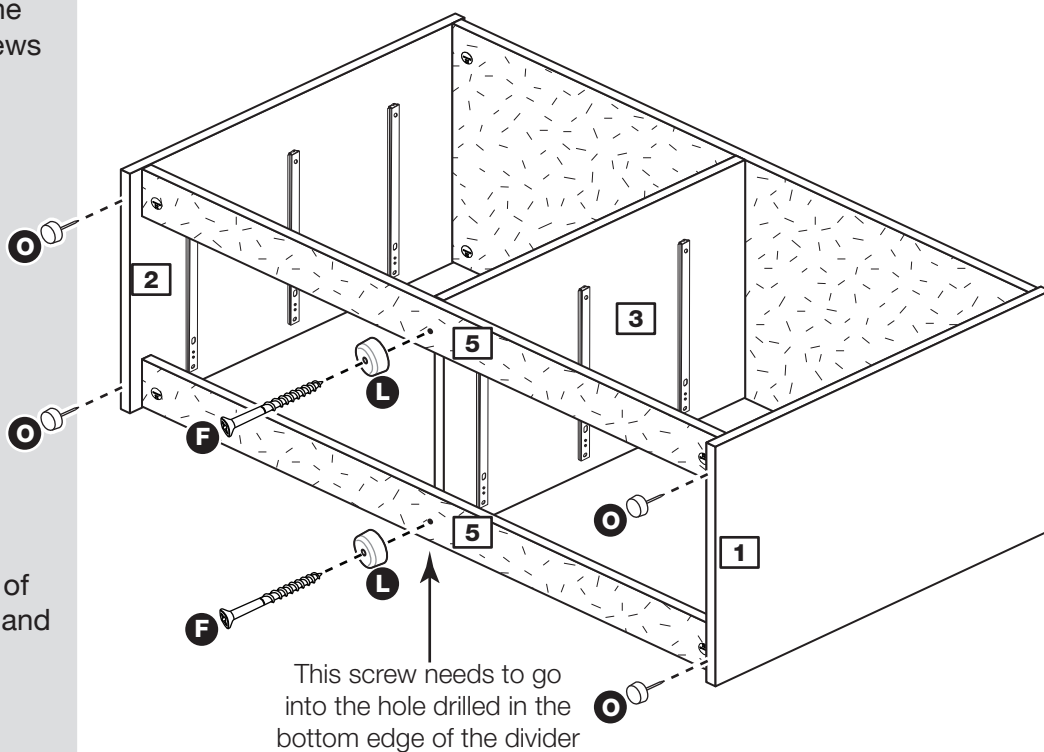


## Step 17

### Fit the feet and the plastic nails

Screw the feet **L** onto the rails **5** and on into the bottom edge of the upright **3** using screws **F**.

Tap 2 plastic nails **O** into the bottom edge of each of the sides **1** and **2**.



# Assembly Instructions

## Step 18

### Fit the back

**a:** Square up the unit by making sure that measurement **x** to **x** equals **y** to **y**.

**b:** Place the back **11** onto the unit.

Nail **J** around the outside edges of the back **11**.

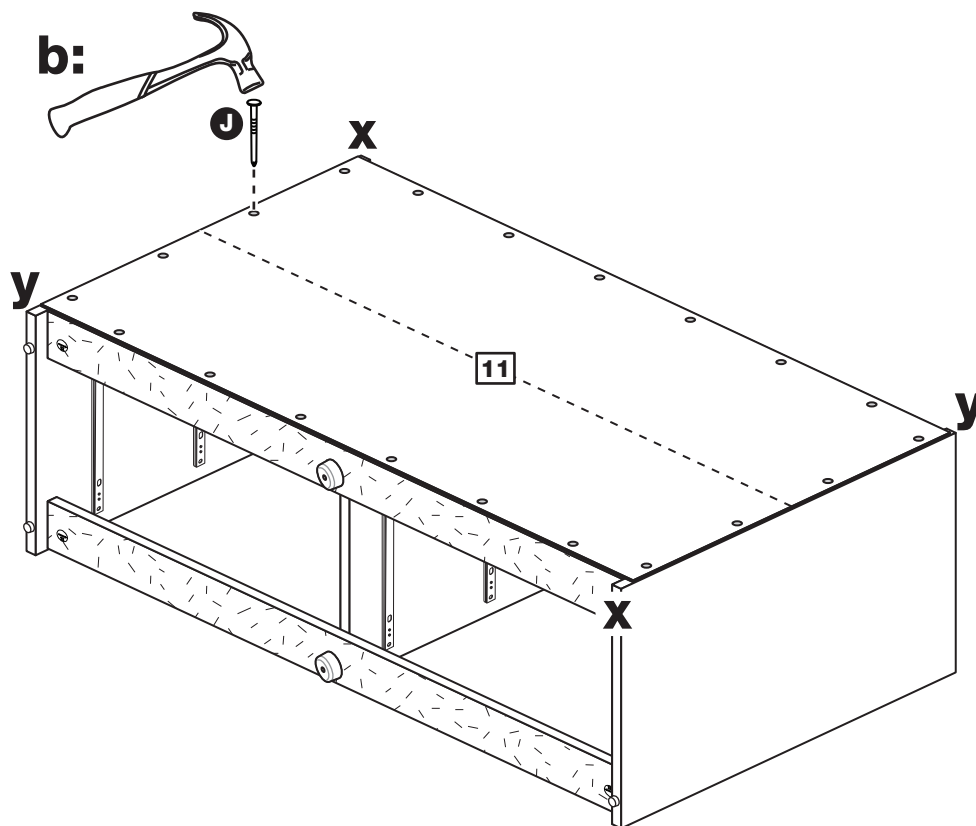
**Note:** Nails should be spaced about 150mm apart.

**Stand the unit up for the next step.**



**Warning:** The unit is heavy. Lift with care.

**a:** The measurement from top corner X to bottom corner X must be equal to the measurement from top corner Y to bottom corner Y



## Step 19

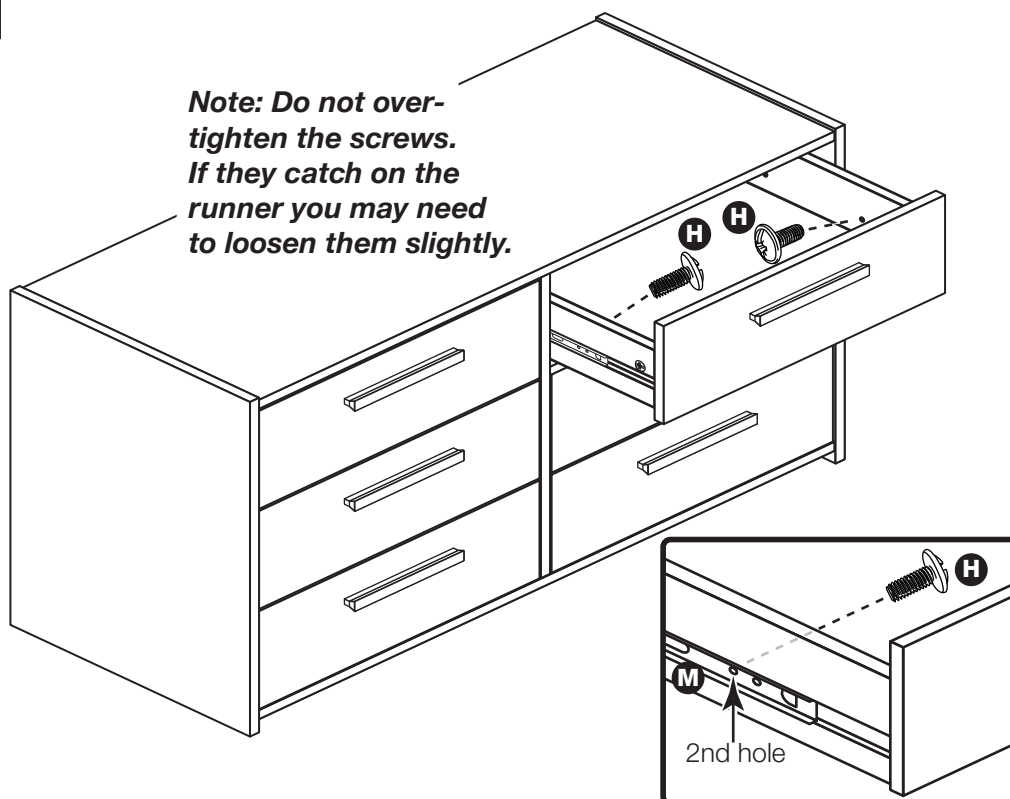
### Fit the drawers

Starting with the bottom drawers, slide both the runners **M** forward and locate the drawer sides **7** and **8** between them, lining up the holes in the drawer wrap with the 2nd 'threaded' holes in the runners **M**.

Working from the inside of the drawer, insert 2 screws **H** through the sides and out into the 2nd threaded hole in the runner.

**Assembly is complete**

**Note:** Do not over-tighten the screws. If they catch on the runner you may need to loosen them slightly.



If you need help or have damaged or missing parts, call the Customer Helpline: 08456 400800 and quote the reference numbers on the component pages.

Argos Ltd, 489-499 Avebury Boulevard, Central Milton Keynes, MK9 2NW