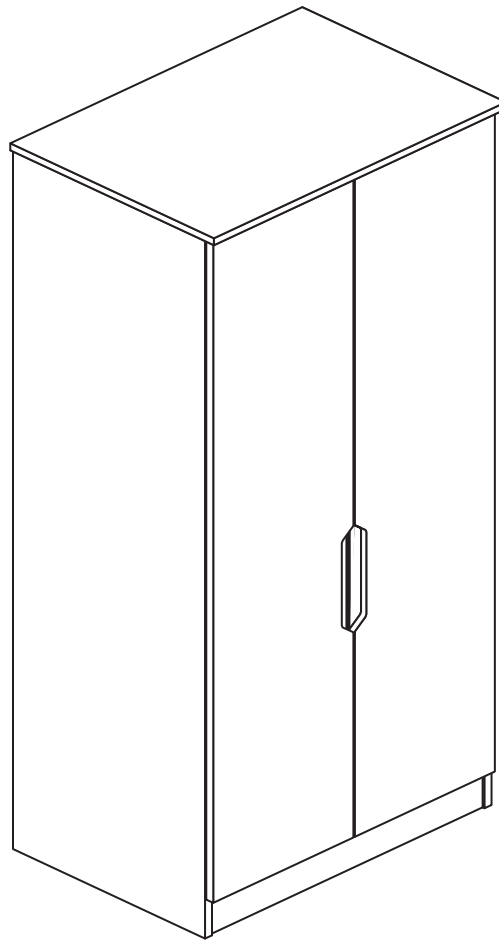




FIRST TEAM

FURNITURE



Assembly Instructions

IMPORTANT - Carefully read these instructions before starting the assembly
Please keep for future reference



MADE IN
BRITAIN

Dimensions

Width - 75.5cm

Depth - 53cm

Height - 183cm



Safety and Care Advice

Important - Please read these instructions fully before starting assembly

- **Warning:** This unit weighs approximately 38kgs. Please lift with care.

- Check you have all the components and tools listed on pages 2 and 3.

- Remove all fittings from the plastic bags and separate them into their groups.

- Keep children and animals away from the work area, small parts could choke if swallowed.

- Parts of the assembly will be easier with 2 people.

- Make sure you have enough space to layout the parts before starting.

- Do not stand or put weight on the product, this could cause damage.

- Assemble the item as close to its final position (in the same room) as possible.

- Assemble on a soft level surface to avoid damaging the unit or your floor (use opened out unit carton).



- We do not recommend the use of power drill/drivers **for inserting screws**, as this could damage the unit. Only use hand screwdrivers.

- **Safety note:** It is recommended that this unit is secured to a wall using the bracket supplied.

- Dispose of all packaging carefully and responsibly.

Care and maintenance

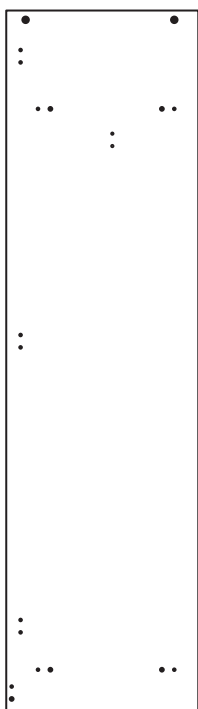
- Only clean using a damp cloth and mild detergent, do not use bleach or abrasive cleaners.

- From time to time check that there are no loose screws on this unit.

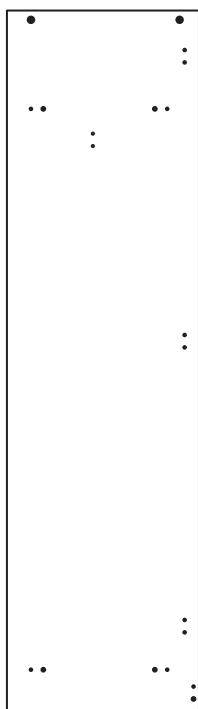
- This product should not be discarded with household waste. Take to your local authority waste disposal centre.

Note: If required the next page can be cut out and used as reference throughout the assembly. Keep this page with these instructions for future reference.

Panels - Please check you have all the panels listed below



1 Left Side (*D2894A*)
(1808 x 496mm)



2 Right Side (*D2895A*)
(1808 x 496mm)



3 Top (*D2893A*)
(754 x 531mm)



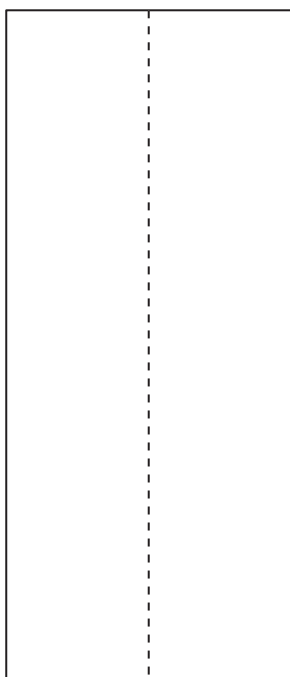
4 Horizontal (*D2896A*)
(704 x 496mm) x 2



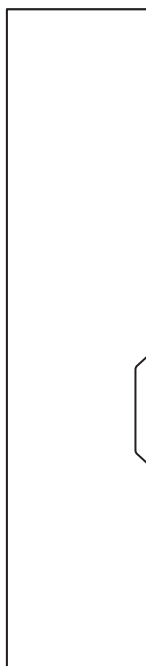
5 Plinth (*D2897A*)
(704 x 96mm)



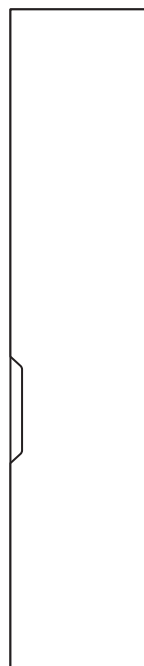
6 Hanging Rail (*FHR696*)
(696mm long)



7 Back (*X1728-736*)
(1728 x 736mm)



8 Left Door (*D2908AL*)
(1702 x 362mm)

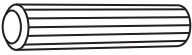
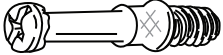

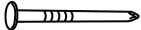


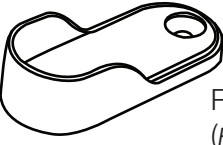
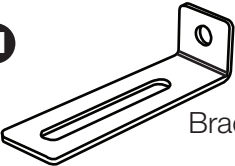
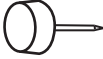
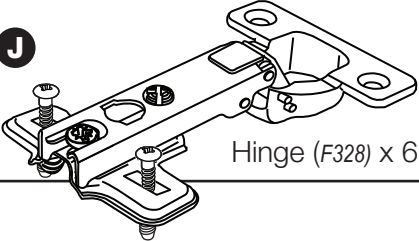
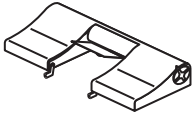


9 Right Door (*D2908AR*)
(1702 x 362mm)

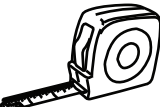
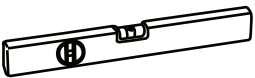




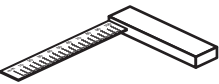


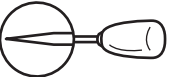


Fittings – Please check you have all the fittings listed below

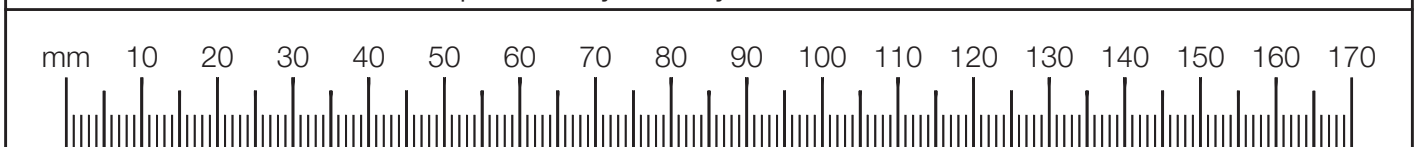
Note: The quantities below are the correct amount to complete the assembly. In some cases more fittings may be supplied than are required.

<p>A </p> <p>Wooden dowel (F22) x 14</p>	<p>B </p> <p>Metal dowel (F901) x 14</p>	<p>C </p> <p>Large locking nut (F900) x 14</p>
<p>D </p> <p>Nail (F51) x 32</p>	<p>E </p> <p>13mm Screw (F79) x 1</p>	<p>F </p> <p>13mm Screw (F63) x 16</p>
<p>G </p> <p>Rail Holder (F891) x 2</p>	<p>H </p> <p>Bracket (F327) x 1</p>	<p>I </p> <p>Plastic Nail (F91) x 4</p>
<p>J </p> <p>Hinge (F328) x 6</p>	<p>K </p> <p>Soft Close (F320) x 2</p>	

Tools required

<p></p> <p>Rule</p>	<p></p> <p>Spirit level</p>	<p></p> <p>Eye protection (when using a hammer or drill)</p>	<p></p> <p>Cross-head screwdriver</p>	<p></p> <p>Electric drill (only use when drilling into walls)</p>	<p></p> <p>Step ladder</p>
<p></p> <p>Square</p>	<p></p> <p>Scissors</p>	<p></p> <p>Hammer</p>	<p></p> <p>Bradawl</p>		

Ruler - Use this ruler to help correctly identify the screws



Assembly Instructions

Step 1

Prepare the Left Side

a: Tap 2 wooden **A** dowels into the left side **1**.

Note: Wooden dowels **must not** stick out from the edge by more than 10mm or they may damage other panels.

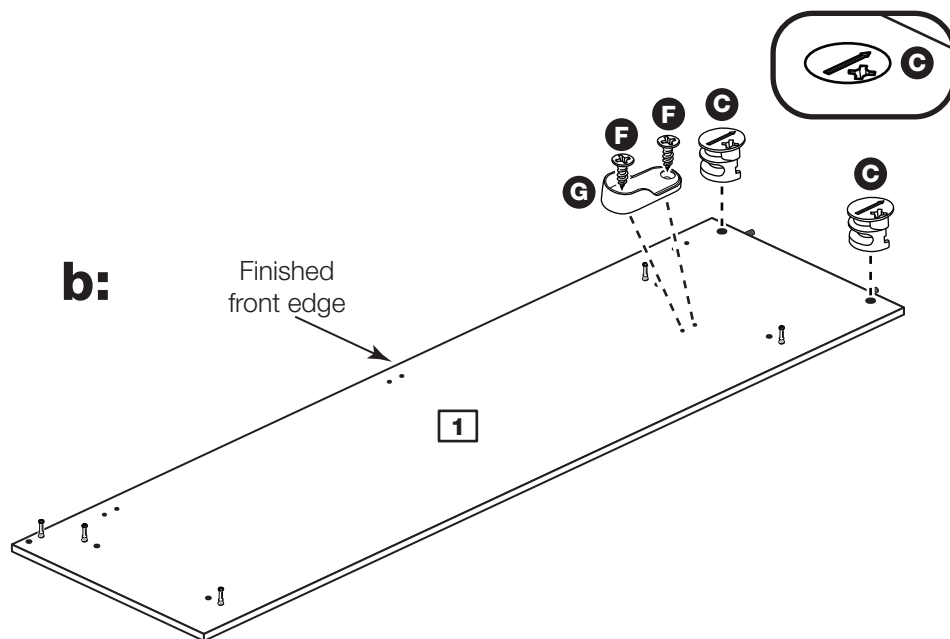
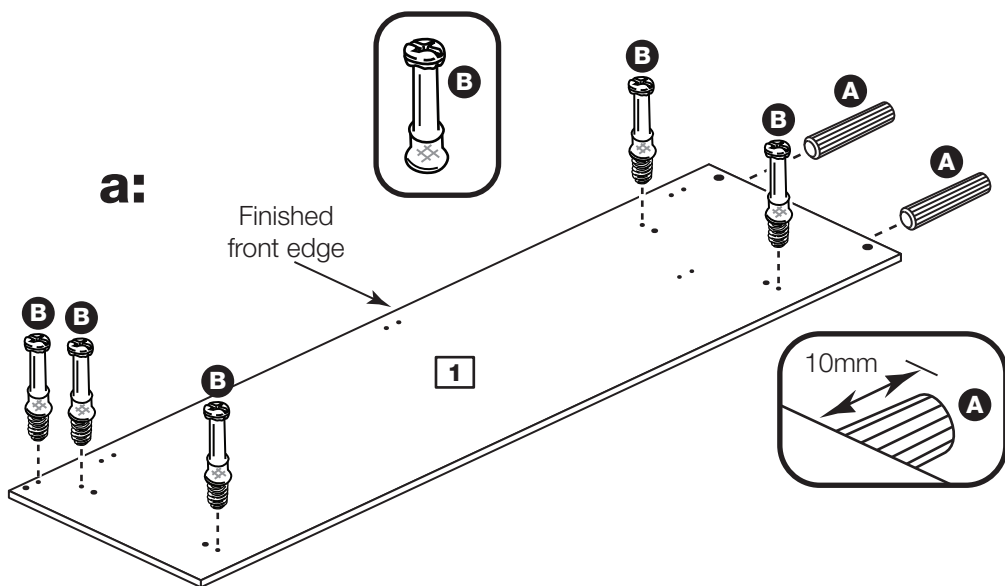
Screw 5 metal dowels **B** into the left side **1**.

Note: Tighten the metal dowels up fully against the panels.

b: Fit the rail holder **G** to the left side **1** using 2 screws **F**.

Insert 2 large locking nuts **C** into the left side **1**.

Note: The arrow on the locking nut **must** point towards the hole in the edge of the panel.



Assembly Instructions

Step 2

Prepare the Right Side

a: Tap 2 wooden dowels **A** into the right side **2**.

Note: Wooden dowels **must not** stick out from the edge by more than 10mm or they may damage other panels.

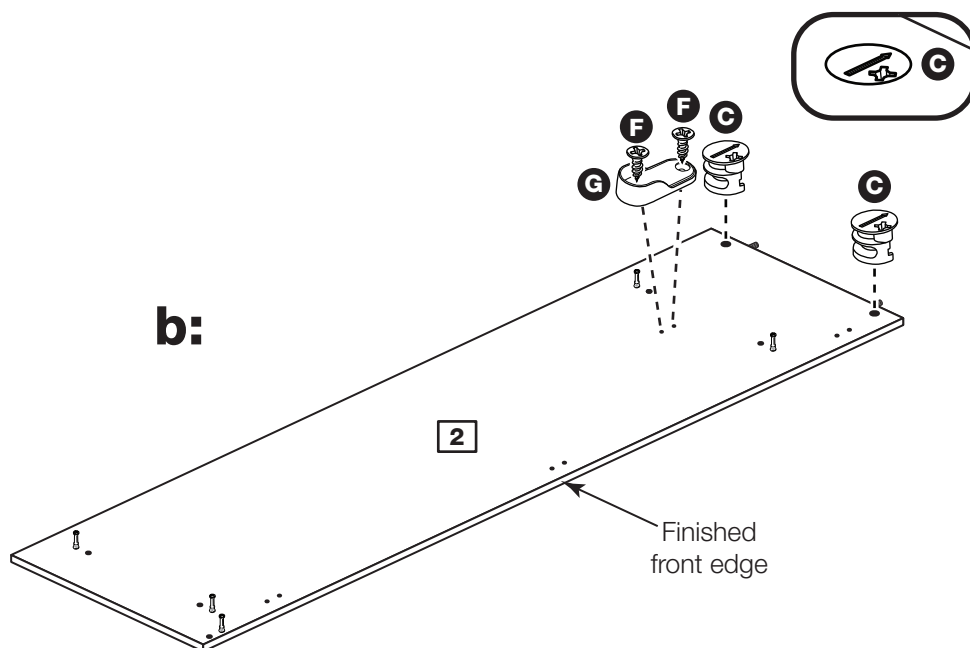
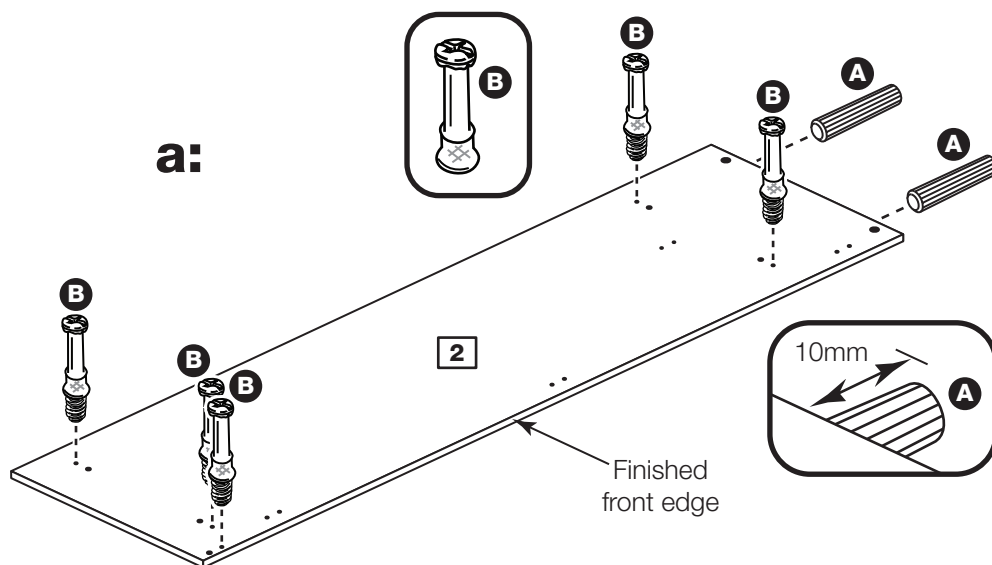
Screw 5 metal dowels **B** into the right side **2**.

Note: Tighten the metal dowels up fully against the panels.

b: Fit the rail holder **G** to the right side **2** using 2 screws **F**.

Insert 2 large locking nuts **C** into the right side **2**.

Note: The arrow on the locking nut **must** point towards the hole in the edge of the panel.



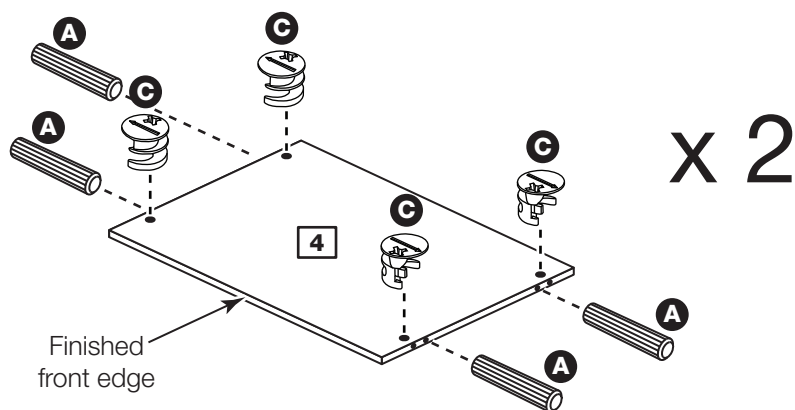
Assembly Instructions

Step 3

Prepare the 2 Horizontals

Tap 4 wooden dowels **A** into each of the 2 horizontals **4**.

Insert 4 large locking nuts **C** into each of the 2 horizontals **4**.



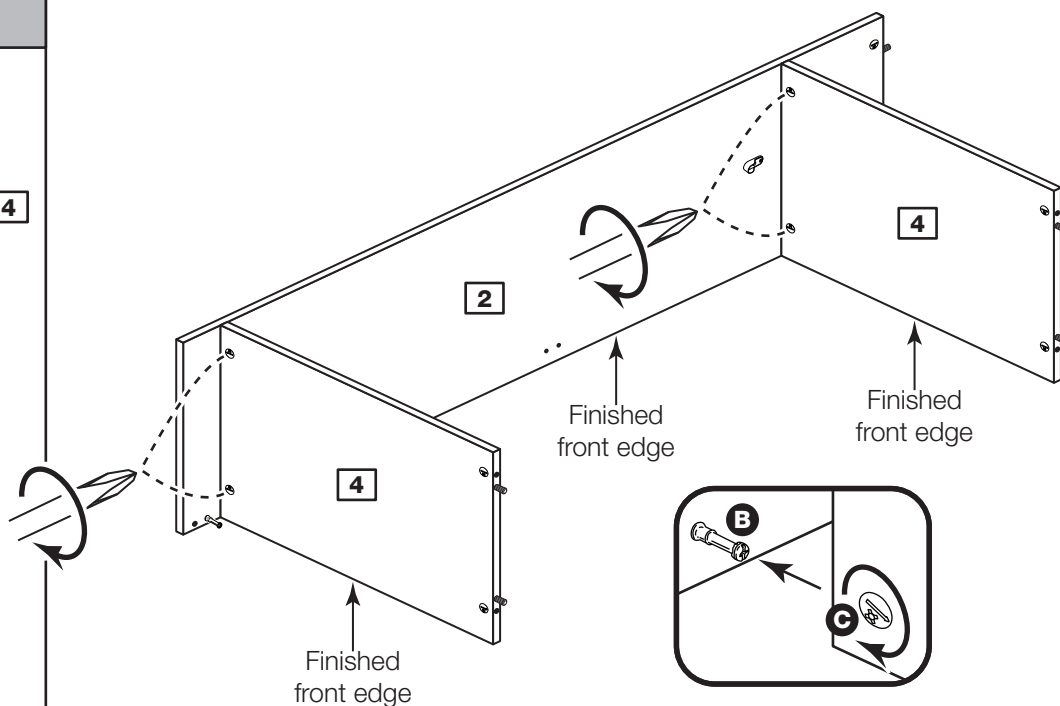
Step 4

Fit the 2 Horizontals to the Right Side

Push the 2 horizontals **4** onto the right side **2**.

Use a screwdriver to tighten the 2 large locking nuts **C** fitted to each horizontal **4**.

Note: Turn the large locking nuts **C** as far as they will go - more than 1/2 a turn.

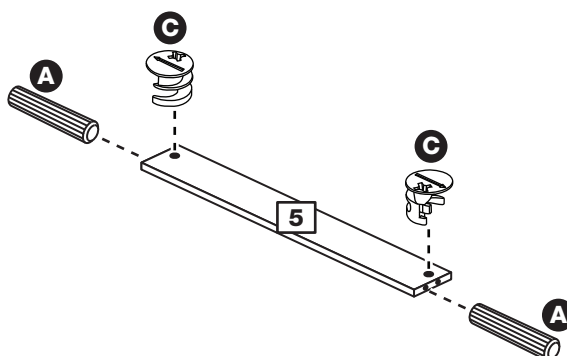


Step 5

Prepare the Plinth

Tap 2 wooden dowels **A** into the plinth **5**.

Insert 2 large locking nuts **C** into the plinth **5**.



Assembly Instructions

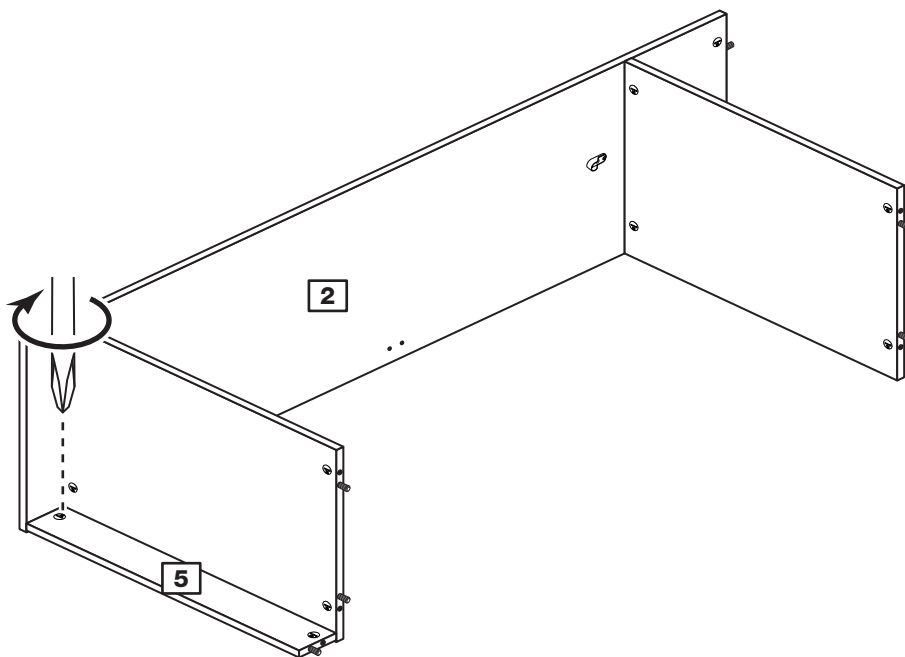
Step 6

Fit the Plinth to the Right Side

Push the plinth **5** onto the right side **2**.

Use a screwdriver to tighten the large locking nut **C** fitted to plinth **5**.

Note: Turn the large locking nut **C** as far as it will go - more than 1/2 a turn.

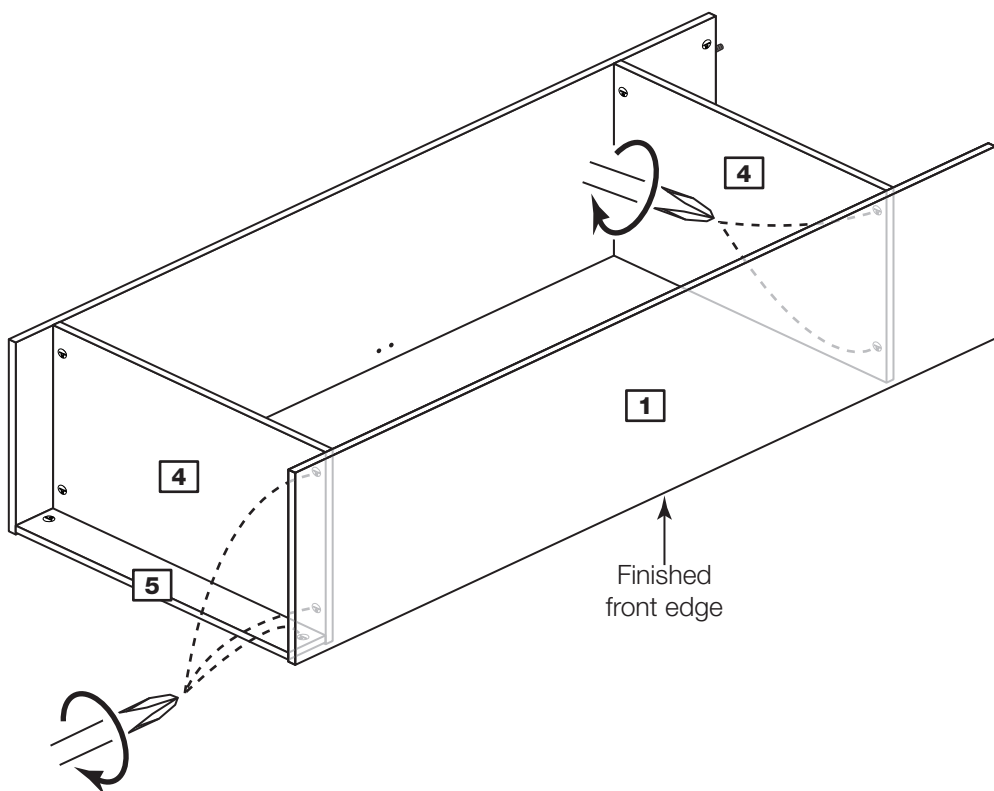


Step 7

Fit the Left Side

Push the left side **1** onto the assembly.

Use a screwdriver to tighten the 5 large locking nuts **C** fitted to the 2 horizontals **4** and the plinth **5**.

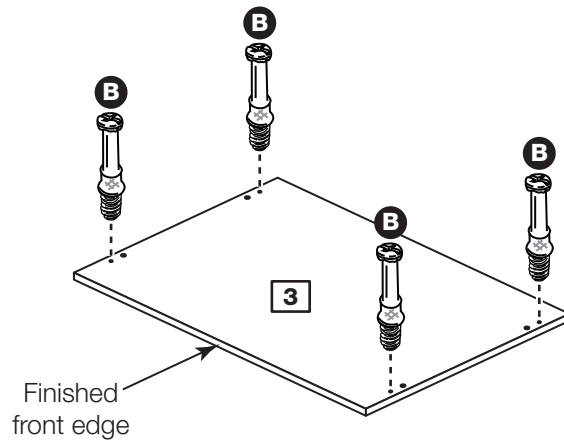


Assembly Instructions

Step 8

Prepare the Top

Screw 4 metal dowels **B** into the Top **3**.



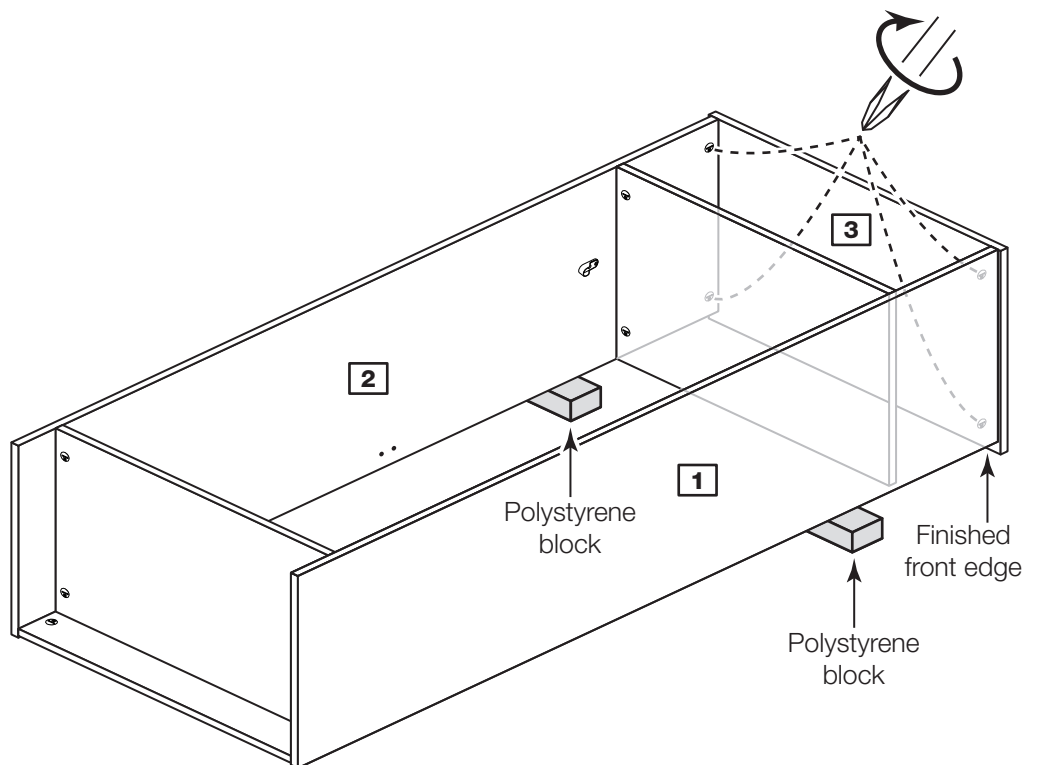
Step 9

Fit the Top

Note: To make it easier to fit the Top, place polystyrene blocks from the packaging underneath the Side panels to raise the assembly.

Push the Top **3** onto the assembly.

Use a screwdriver to tighten the 4 large locking nuts **C** fitted to the side panels **1** and **2**.

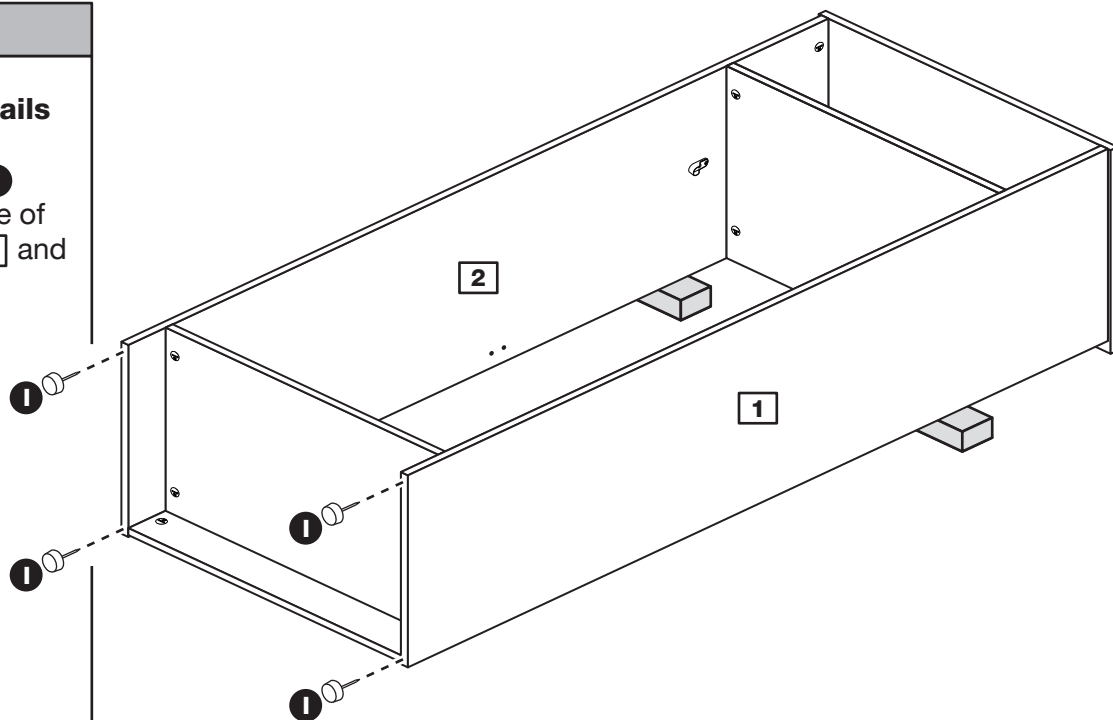


Assembly Instructions

Step 10

Fit the 4 Plastic Nails

Tap 2 plastic nails **1** into the bottom edge of each of the sides **1** and **2**.



Step 11

Fit the Back

a: Square up the unit by making sure that measurement **x** to **x** equals **y** to **y**.

b: Place the back **7** onto the unit.

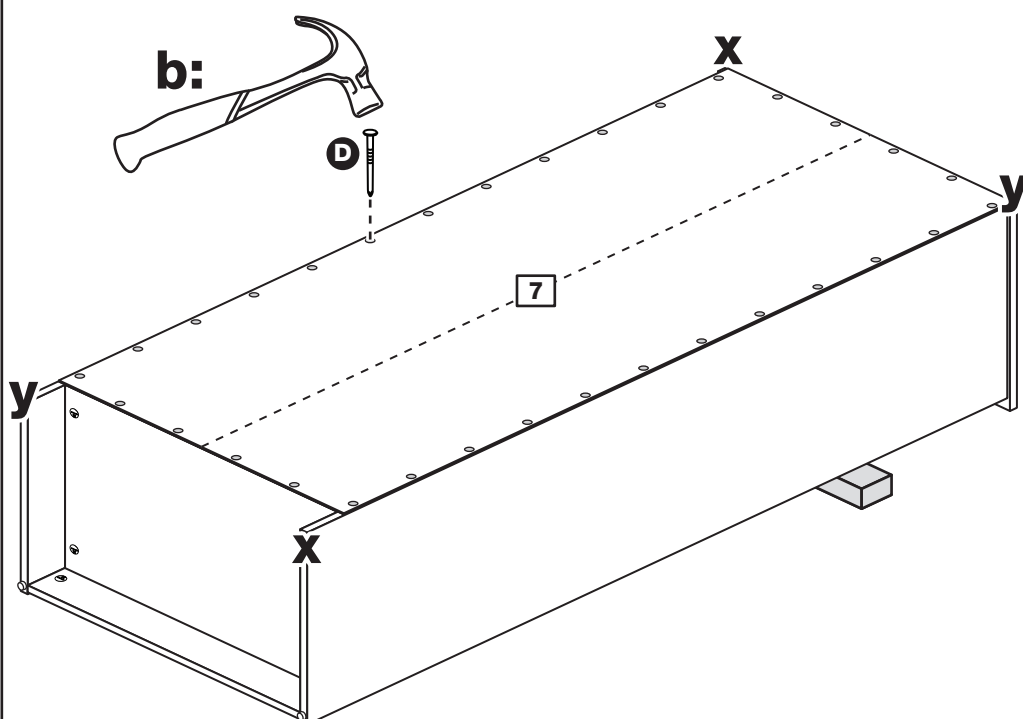
Nail **D** around the outside edges of the back **7**.

Note: Nails should be spaced about 150mm apart.

Stand the unit up for the next step.

Warning: The unit is heavy. Lift with care.

a: The measurement from top corner X to bottom corner X must be equal to the measurement from top corner Y to bottom corner Y

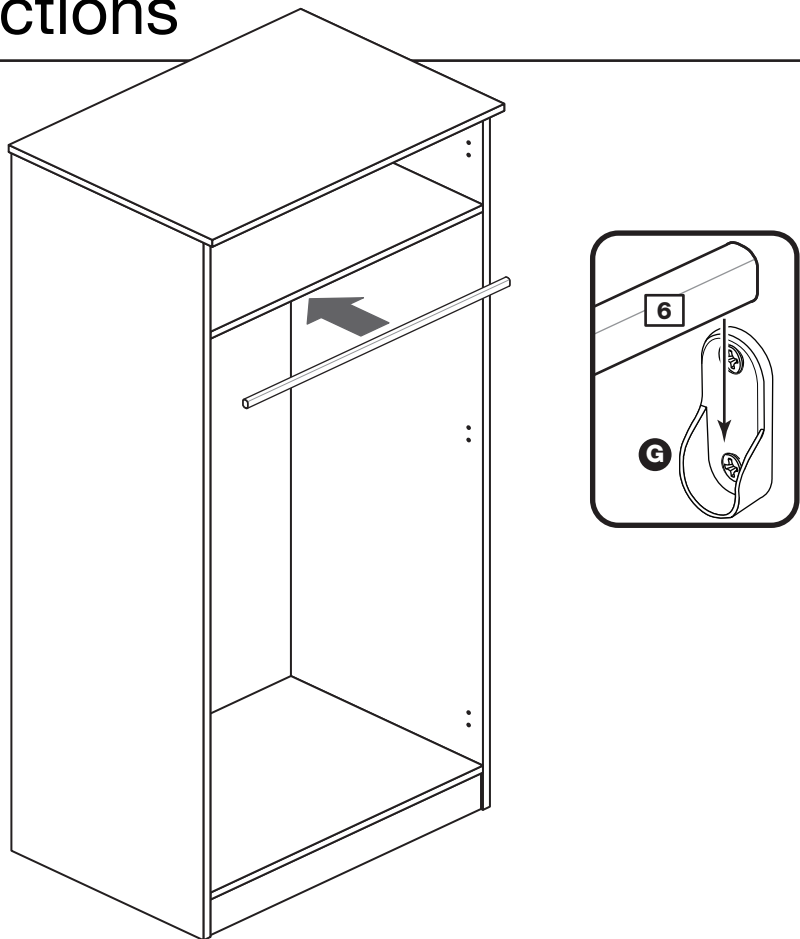


Assembly Instructions

Step 12

Fit the Hanging Rail

Push the hanging rail **6** into the rail holders **G** fitted to the side panels.



Step 13

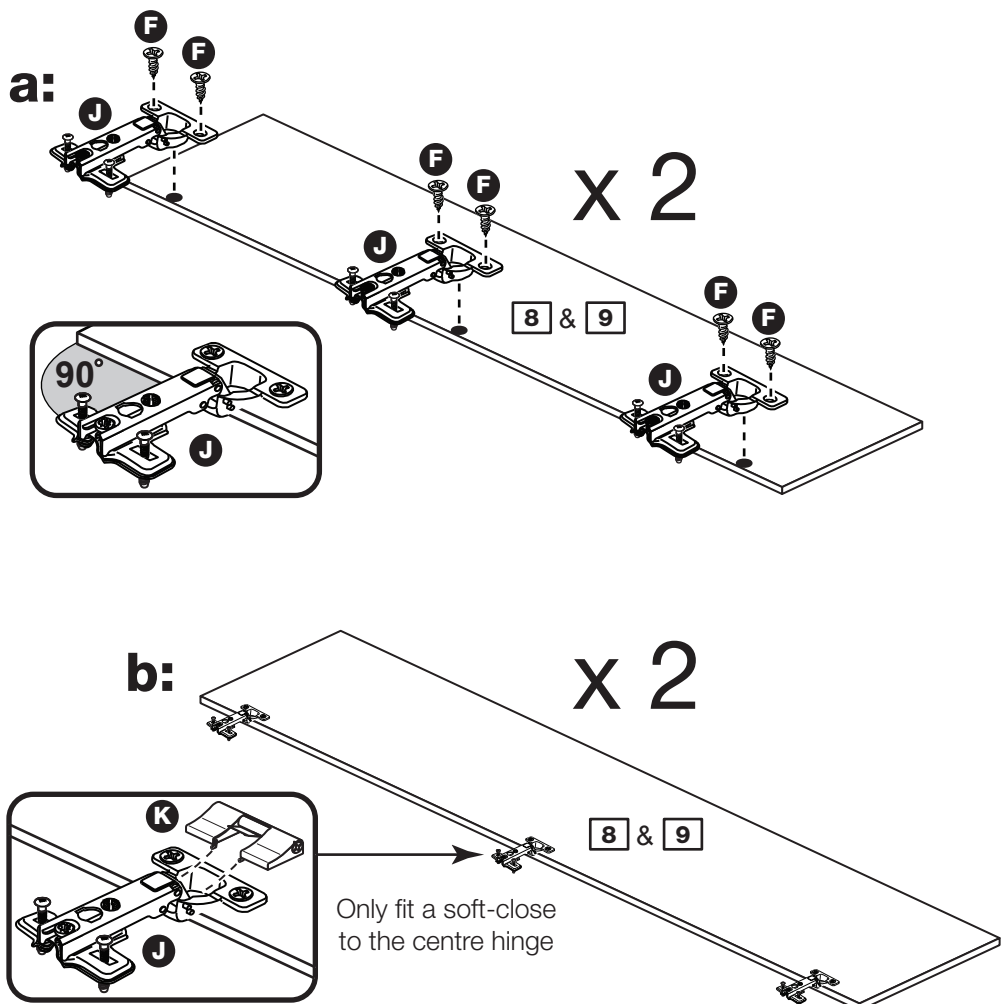
Prepare the 2 Doors

a: Push fit 3 hinges **J** into each door **8** and **9**.

Secure each hinge with 2 screws **F**.

Note: Before securing with the screws, make sure that the hinges are positioned at 90 degrees with the edge of the door.

b: Fit a soft-close **K** to the centre hinge **J** on each of the doors. Press the hooks on the soft-close into the holes on the hinge and press down to click into place.



Assembly Instructions

Step 14

Fit the Doors

2 people are needed here

Warning: The doors are heavy. Lift with care.

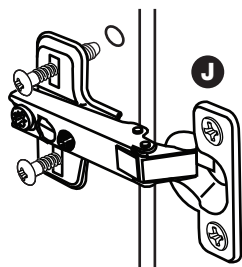
Check the team's emblem on each door **8** and **9** and make sure they are fitted the correct way around.

Line up the 2 screws in the top hinge **J** with the 2 holes at the top of the side panel and push them in.

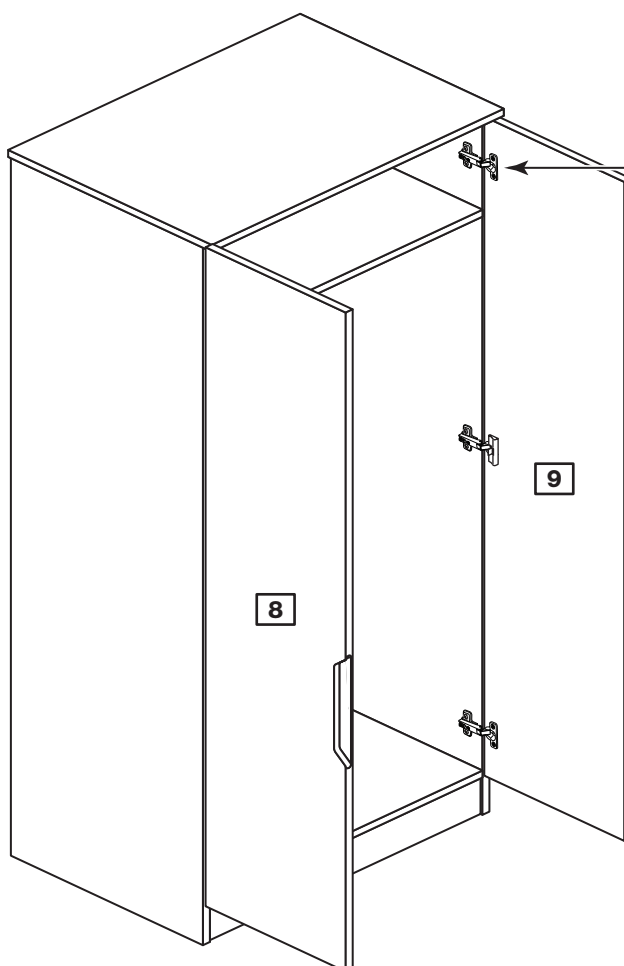
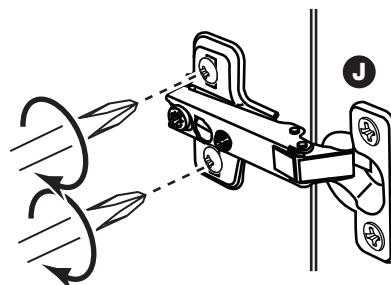
Working down the door, push in the other hinges.

When all of the hinges have been pushed into place, tighten the 2 screws on each hinge.

Press the screws into the holes in the panels



When the hinges have been pushed in, tighten up their screws



Note: Fit the top hinge 1st

Assembly Instructions

Step 15

Adjust the doors if needed

a: Before adjusting the doors, use a spirit level to check the top (or base) of the unit is level, front-to-back and side-to-side in the 3 positions shown.

Use suitable packing pieces (not supplied) to make the unit level BEFORE making any adjustment to the hinges, as shown.

b: Height adjustment.

Loosen screws A on hinge plates and move door up or down as required.

Retighten screw A.

c: Forward and Back adjustment.

Loosen screw B on hinge plate and move door in or out as required.

Retighten screw B.

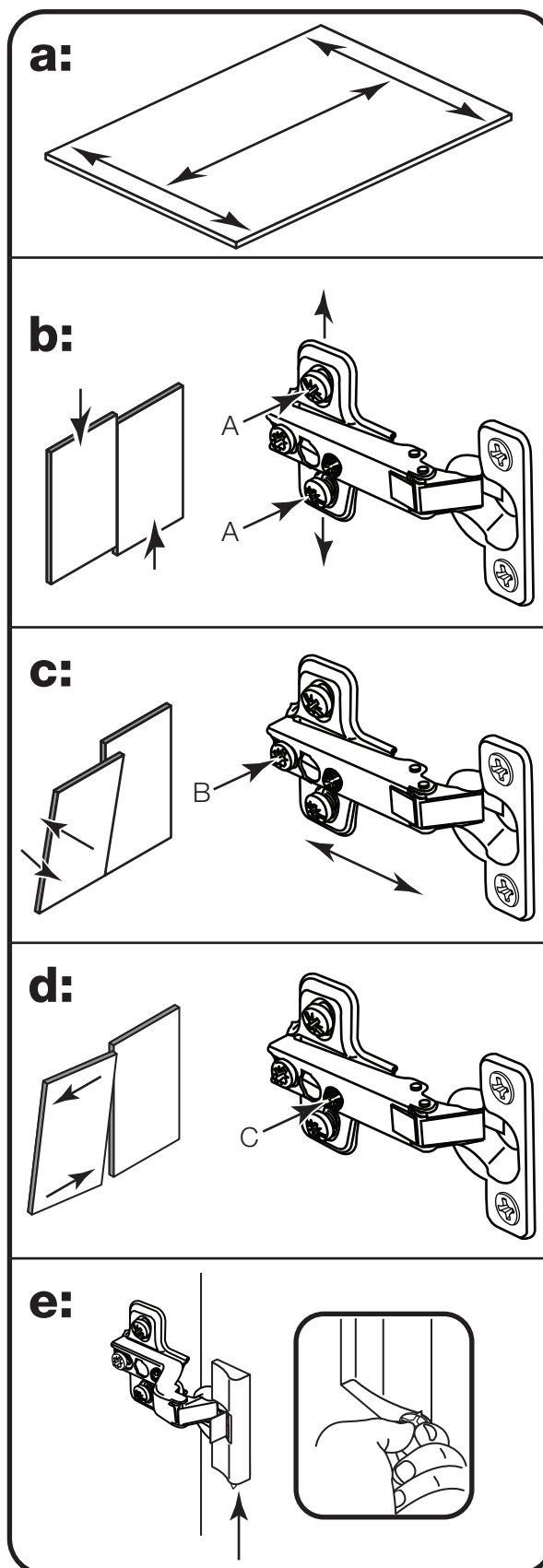
d: Sideways adjustment.

To move door 'out' loosen screw C.

To move door 'in' tighten screw C.

e: Soft-close adjustment.

To adjust the damping force on the soft-close fitting, turn towards the '+' to increase and towards the '-' to decrease.



Assembly Instructions

Step 16

Secure the unit

To prevent possible overbalancing, we recommend that this unit is secured to a suitable wall by use of the bracket **H** fitted to the top of the unit.

Fixings are not supplied, as they will need to suit the wall type and the length of screw will depend on the distance from the back of the unit to the wall.

Fix the bracket **H** loosely onto the top of the unit using screw **E** and mark the wall for the wall fixing.

Swivel the bracket **H** away from the wall and drill a hole in the wall using a suitable drill bit and fit your wall fixing.

Swivel the bracket **H** back and fix the bracket to the wall, then tighten screw **E**.

Note: Take care when drilling the wall that you do not drill into any pipes, wires etc. If in doubt, consult an expert.

You have completed the assembly.

