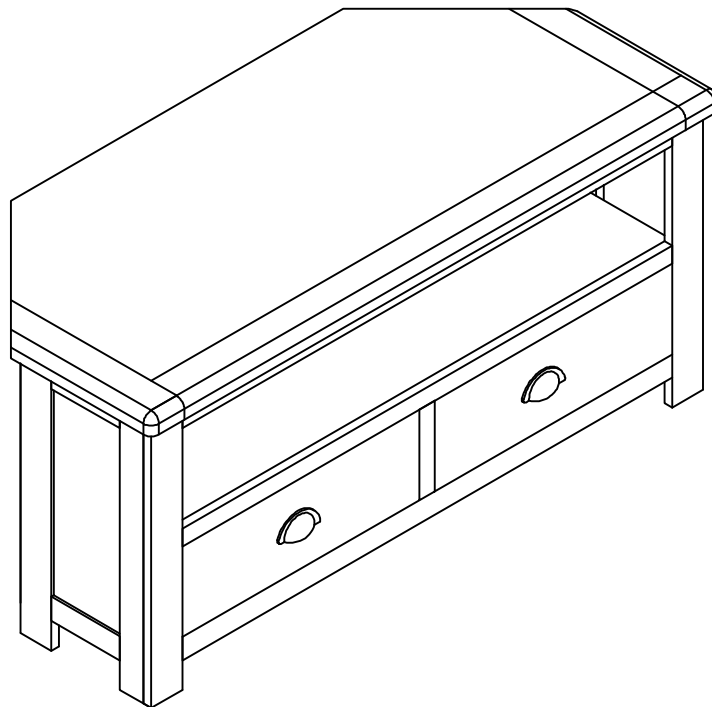


kent corner TV unit

Assembly Instructions - Please keep for future reference

275/5298



Dimensions

Width - 110cm
Depth - 50cm
Height - 50cm

Important - Please read these instructions fully before starting assembly

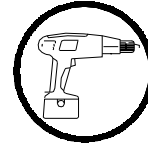
If you need help or have damaged or missing parts, call the **Customer Helpline:**
Argos = 0345 6400800



Safety and Care Advice

Important - Please read these instructions fully before starting assembly

- Check you have all the components and tools listed on the following pages.
- Remove all fittings from the plastic bags and separate them into their groups.
- Keep children and animals away from the work area, small parts could choke if swallowed.
- Make sure you have enough space to layout the parts before starting.
- During assembly do not stand or put weight on the product, this could cause damage.
- Assemble the item as close to its final position (in the same room) as possible.
- Assemble on a soft level surface to avoid damaging the unit or your floor.
- Parts of the assembly will be easier with 2 people.



- To reduce the likelihood of damaging your product please ensure that your power drill is set on a low torque setting.

Care and maintenance

- Only clean using a damp cloth and mild detergent, do not use bleach or abrasive cleaners.
- From time to time check that there are no loose screws on this unit.
- This product should not be discarded with household waste. Take to your local authority waste disposal centre.

Handy Hints

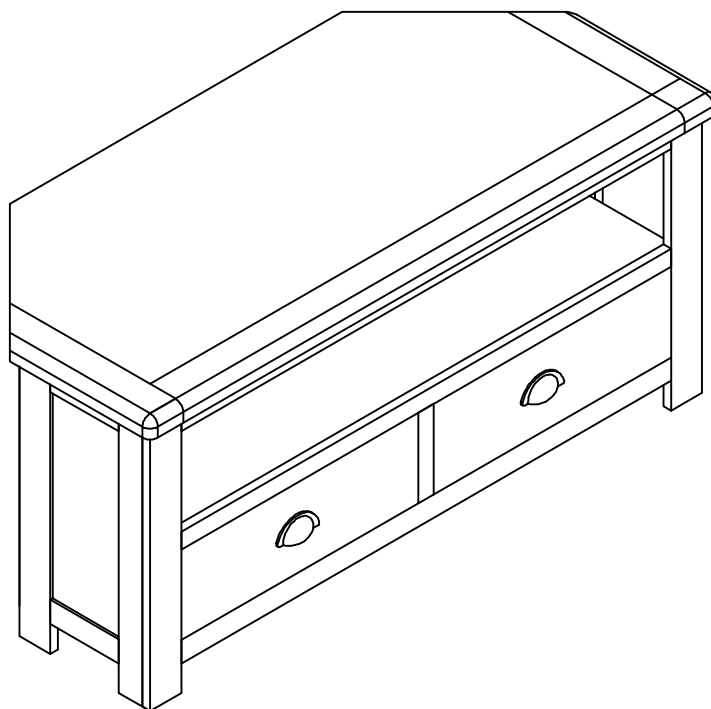
- Assemble all parts and bolts loosely during assembly, only once the product is complete should you fully tighten the bolts.
- Regularly check and ensure that all bolts and fittings are tightened properly.

Note: if required the next page can be cut out and used as reference throughout the assembly. Keep this page with these instructions for future reference.

Components - Panels

If you have damaged or missing components, call the
Customer Helpline: Argos = 0345 640800

Please check you have all the panels listed below



1 Corner TV Unit (110 x 50 x 50 cm)

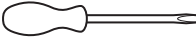


Components - Fittings

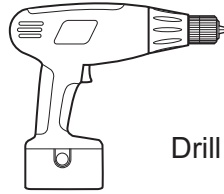
Tools required



Phillips screwdriver
(medium & large)



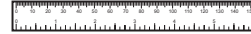
Flatblade screwdriver
(medium)



Drill

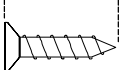


7mm Suitable drill bit
(for use with wall plug)



Ruler/tape
measure

Ruler - Use this ruler to help correctly identify the screws

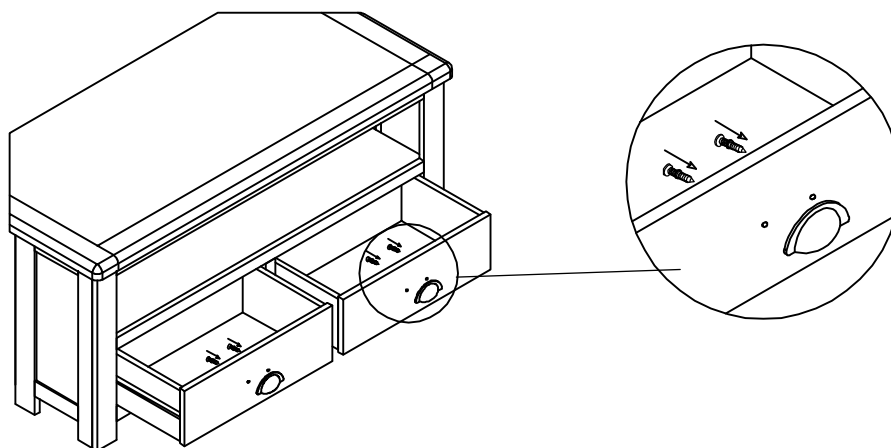
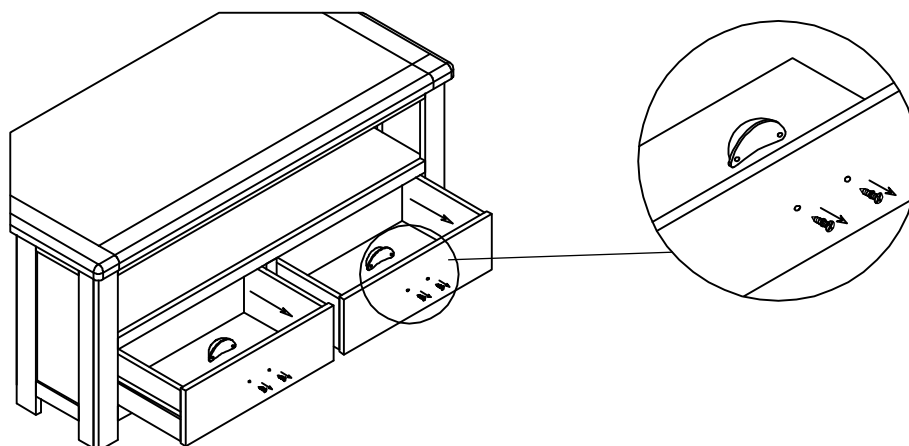


The screws length is measured from the head to the point (15 mm screw shown).

Assembly Instructions

Step 1

Drawer handles are pre-assembled reversely. Disassemble the handle and re-attach as shown in the figure.



If you need help or have damaged or missing parts, call the **Customer Helpline:**
Argos = 0345 6400800