

New Sywell - 2 Door Robe

Assembly Instructions - Please keep for future reference

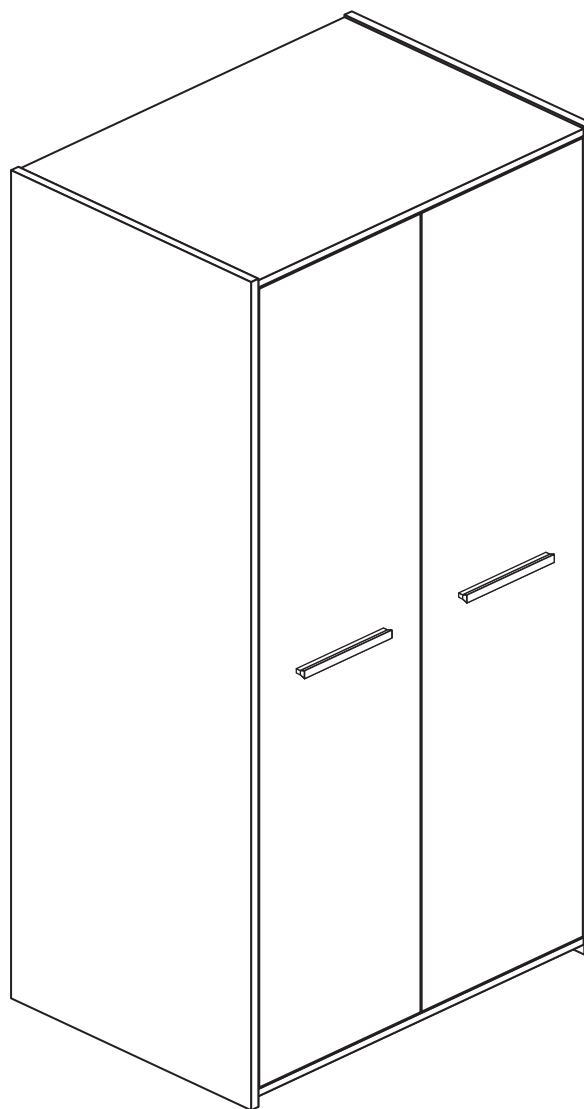
282/4150

266/3768

267/7606

266/2965

281/8960



Dimensions

Width - 70.5cm

Depth - 50cm

Height - 172cm



**MADE IN
BRITAIN**

Important - Please read these instructions fully before starting assembly

If you need help or have damaged or missing parts, call the **Customer Helpline: 08456 400800**



Safety and Care Advice

Important - Please read these instructions fully before starting assembly

- **Warning:** This unit weighs approximately 40.5kgs. Please lift with care.

- Check you have all the components and tools listed on pages 2 and 3.

- Remove all fittings from the plastic bags and separate them into their groups.

- Keep children and animals away from the work area, small parts could choke if swallowed.

- Parts of the assembly will be easier with 2 people.

- Make sure you have enough space to layout the parts before starting.

- Do not stand or put weight on the product, this could cause damage.

- Assemble the item as close to its final position (in the same room) as possible.

- Assemble on a soft level surface to avoid damaging the unit or your floor (use opened out unit carton).



- We do not recommend the use of power drill/drivers **for inserting screws**, as this could damage the unit. Only use hand screwdrivers.

- **Safety note:** It is recommended that this unit is secured to a wall using the bracket supplied.

- Dispose of all packaging carefully and responsibly.

Care and maintenance

- Only clean using a damp cloth and mild detergent, do not use bleach or abrasive cleaners.

- From time to time check that there are no loose screws on this unit.

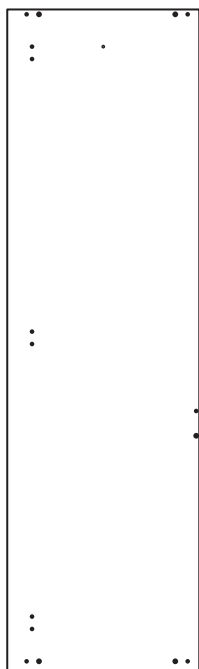
- This product should not be discarded with household waste. Take to your local authority waste disposal centre.

Note: If required the next page can be cut out and used as reference throughout the assembly. Keep this page with these instructions for future reference.

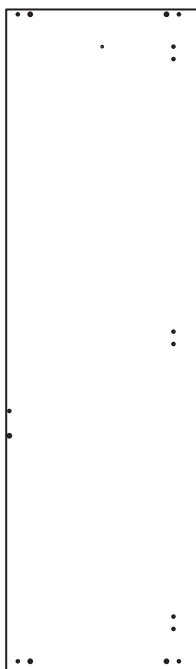
Components - Panels

If you have damaged or missing components, call the **Customer Helpline: 08456 400800** quoting the reference numbers below

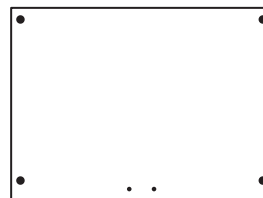
Please check you have all the panels listed below



1 Left Side (D2560A)
(1711 x 496mm)



2 Right Side (D2561A)
(1711 x 496mm)



3 Top (D2559A)
(674 x 494mm)



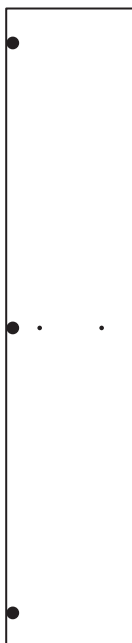
4 Base (D2562A)
(674 x 494mm)



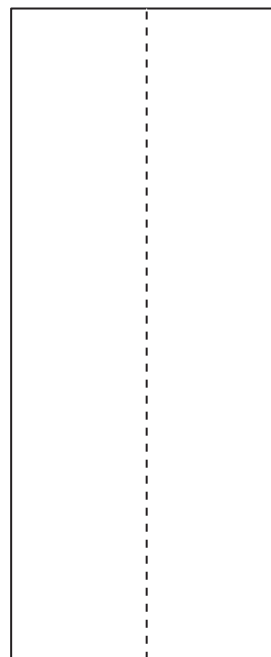
5 Rail (D2597A)
(674 x 125mm)



6 Hanging Rail (FHR666)
(666mm long)



7 Door (D2563A)
(1650 x 333mm) x 2



8 Back (X1682-700)
(1682 x 700mm)

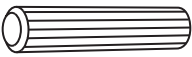
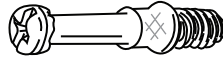




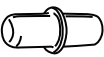
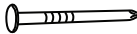
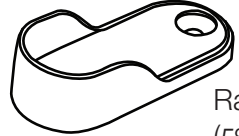
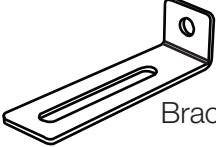

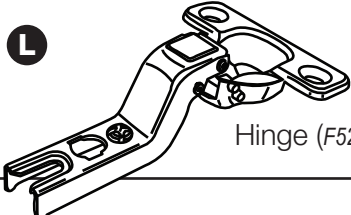
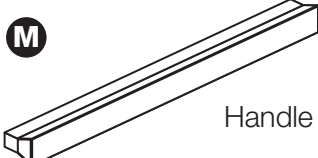



Components - Fittings

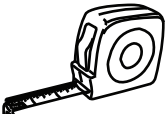


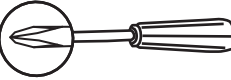

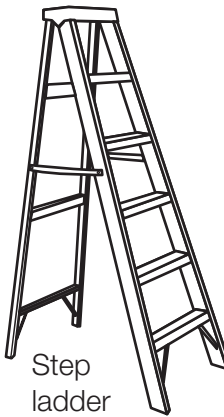



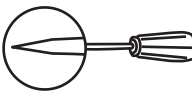
If you have damaged or missing components, call the **Customer Helpline: 08456 400800** quoting the reference numbers below

Please check you have all the fittings listed below

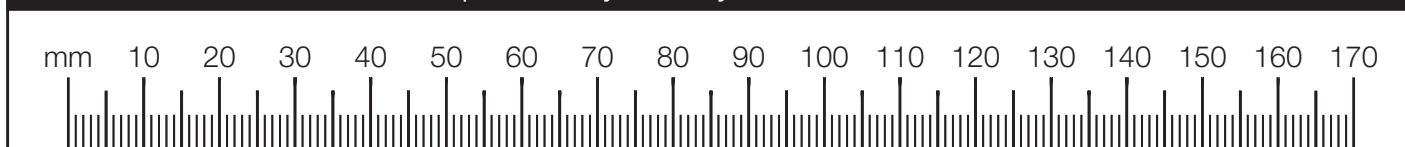
Note: The quantities below are the correct amount to complete the assembly. In some cases more fittings may be supplied than are required.

| | | |
|--|---|--|
| <p>A </p> <p>Wooden dowel (F22) x 10</p> | <p>B </p> <p>Metal dowel (F901) x 10</p> | <p>C </p> <p>Large locking nut (F900) x 10</p> |
| <p>D </p> <p>25mm Screw (F95) x 4</p> | <p>E </p> <p>13mm Screw (F79) x 1</p> | <p>F </p> <p>13mm Screw (F63) x 16</p> |
| <p>G </p> <p>Shelf stud (F110) x 2</p> | <p>H </p> <p>Nail (F51) x 32</p> | <p>I </p> <p>Rail Holder (F891) x 2</p> |
| <p>J </p> <p>Bracket (F327) x 1</p> | <p>K </p> <p>Hinge plate (F523) x 6</p> | <p>L </p> <p>Hinge (F522) x 6</p> |
| <p>M </p> <p>Handle (F315) x 2</p> | <p>N </p> <p>Plastic Nail (F91) x 4</p> | |

Tools required

| | | | | | |
|---|--|---|---|--|---|
| <p></p> <p>Rule</p> | <p></p> <p>Spirit level</p> | <p></p> <p>Eye protection (when using a hammer or drill)</p> | <p></p> <p>Cross-head screwdriver</p> | <p></p> <p>Electric drill (only use when drilling into walls)</p> | <p></p> <p>Step ladder</p> |
| <p></p> <p>Square</p> | <p></p> <p>Scissors</p> | <p></p> <p>Hammer</p> | <p></p> <p>Bradawl</p> | | |

Ruler - Use this ruler to help correctly identify the screws



Assembly Instructions

If you have damaged or missing components, call the Customer Helpline: 08456 400800 quoting the reference numbers below

Step 1

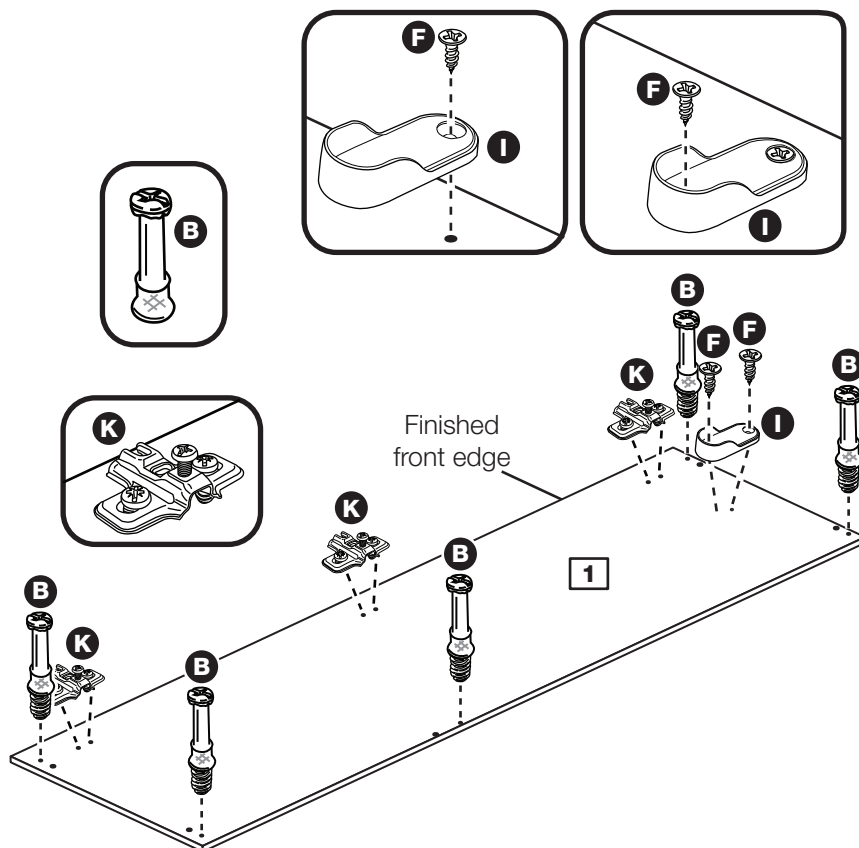
Prepare the left side

Screw 5 metal dowels **B** into the left side **1**.

Note: Tighten the metal dowels up fully against the panels.

Fit 3 hinge plates **K** onto the left side **1**, making sure that the slot is facing towards the finished front edge.

To fit the rail holder **I**, screw through the top hole with screw **F** and into the mark hole drilled in the left side **1**. Make sure that it is fitted straight, in line with the panel edges and then fit another screw **F** using the lower hole.



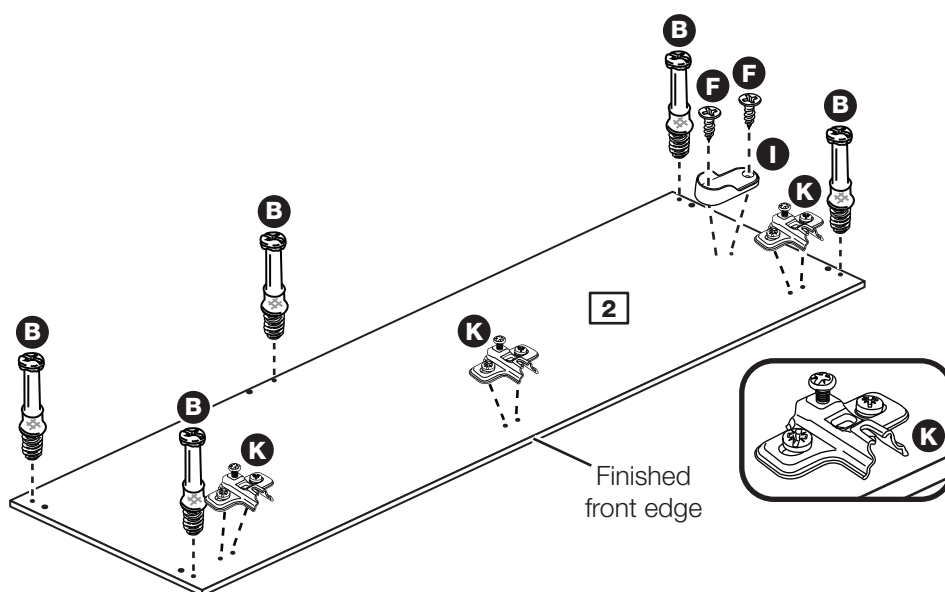
Step 2

Prepare the right side

Screw 5 metal dowels **B** into the right side **2**.

Fit 3 hinge plates **K** onto the right side **2**, making sure that the slot is facing towards the finished front edge.

To fit the rail holder **I**, screw through the top hole with screw **F** and into the mark hole drilled in the right side **2**. Make sure that it is fitted straight, in line with the panel edges and then fit another screw **F** using the lower hole.



Assembly Instructions

Step 3

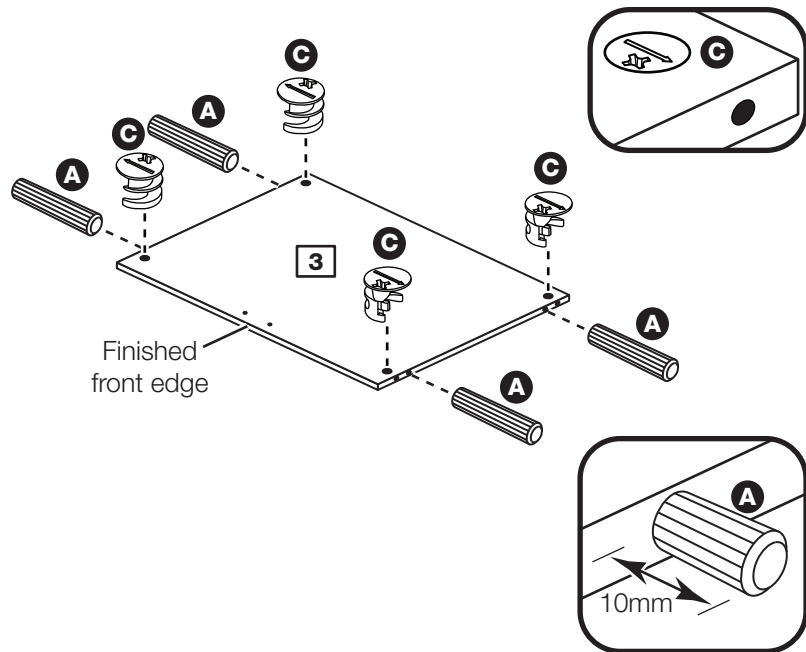
Prepare the top

Tap 4 wooden dowels **A** into the top **3**.

Note: Wooden dowels **must not** stick out from the edge by more than 10mm or they may damage other panels.

Insert 4 large locking nuts **C** into the top **3**.

Note: The arrow on the locking nut **must** point towards the hole in the edge of the panel.

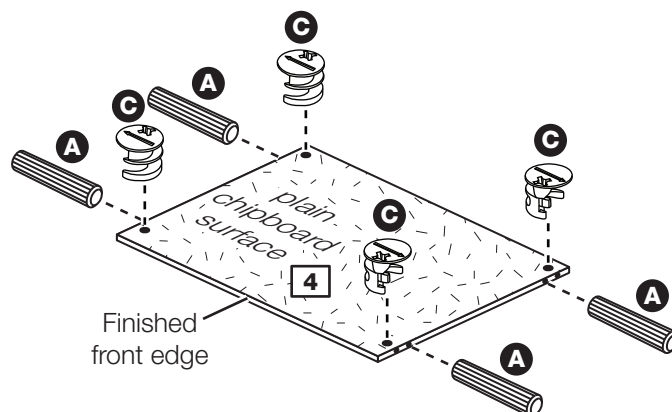


Step 4

Prepare the base

Tap 4 wooden dowels **A** into the base **4**.

Insert 4 large locking nuts **C** into the base **4**.



Assembly Instructions

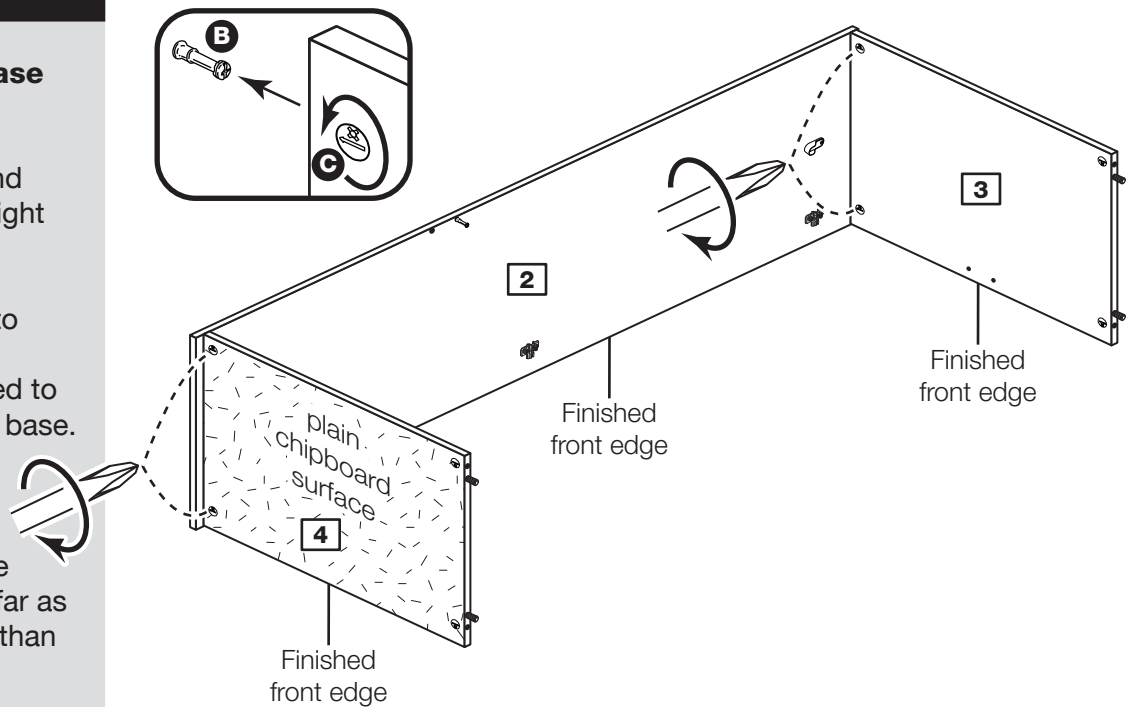
Step 5

Fit the top and base to the right side

Push the top **3** and base **4** onto the right side **2**.

Use a screwdriver to tighten the 4 large locking nuts **C** fitted to the top **3** and **4** base.

Note: Turn the large locking nuts **C** as far as they will go - more than 1/2 a turn.

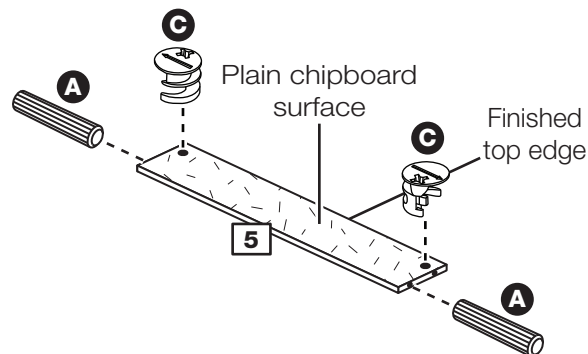


Step 6

Prepare the rail

Tap 2 wooden dowels **A** into the rail **5**.

Insert 2 large locking nuts **C** into the rail **5**.

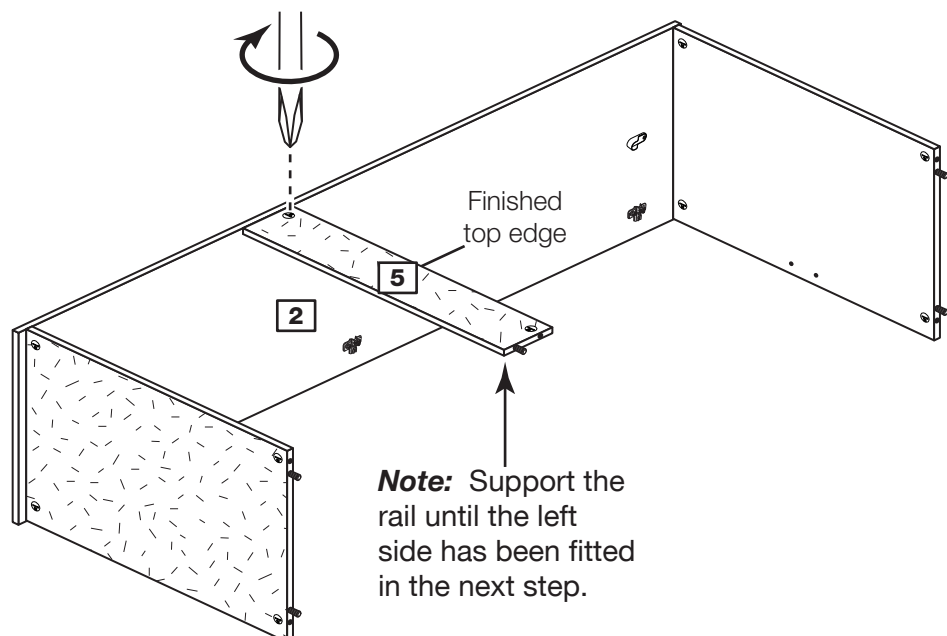


Step 7

Fit the rail

Push the rail **5** onto the right side **2**.

Use a screwdriver to tighten the large locking nut **C** fitted to the rail **5**.



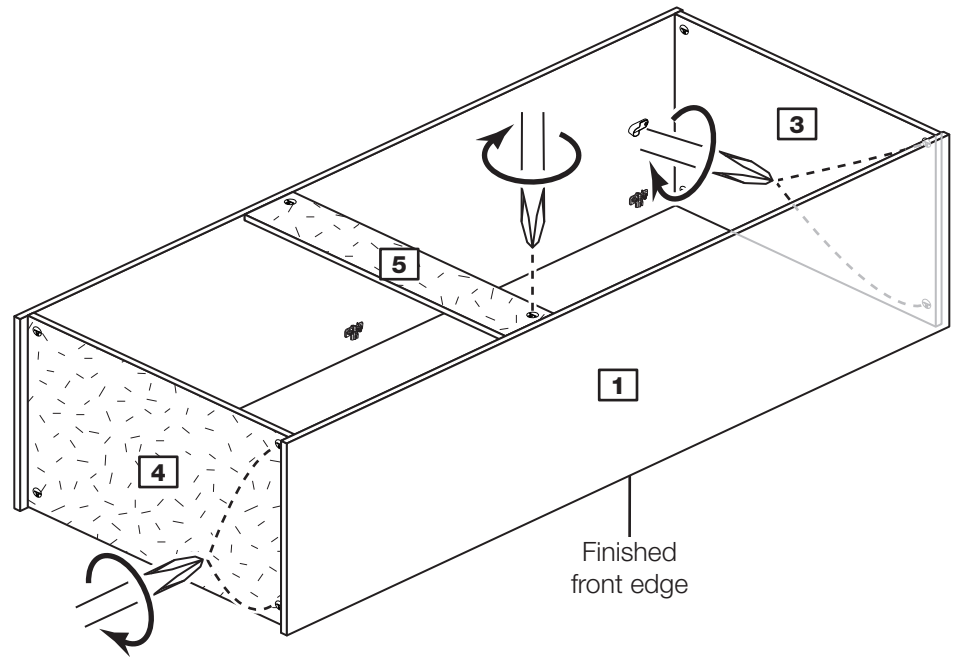
Assembly Instructions

Step 8

Fit the left side

Push the left side **1** onto the assembly.

Use a screwdriver to tighten the 5 large locking nuts **C** fitted to the top **3**, base **4** and rail **5**.



Step 9

Fit the back and plastic nails

a: Square up the unit by making sure that measurement **x to x** equals **y to y**.

b: Place the back **8**, coloured surface facing down, onto the unit as shown.

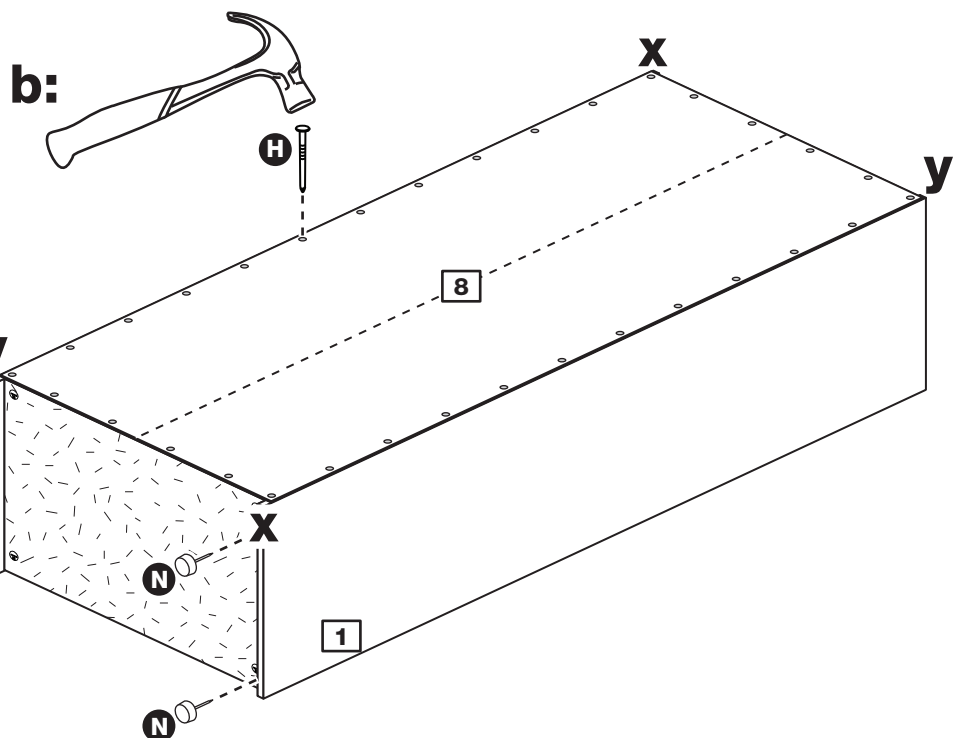
Nail **H** around the outside edges of the back **8**.

Note: Nails should be spaced about 150mm apart.

Tap 2 plastic nails **N** into the bottom edge of each of the sides **1** and **2**.

Stand the unit up for the next stage.

a: The measurement from top corner X to bottom corner X must be equal to the measurement from top corner Y to bottom corner Y



Warning: The unit is heavy. Lift with care.

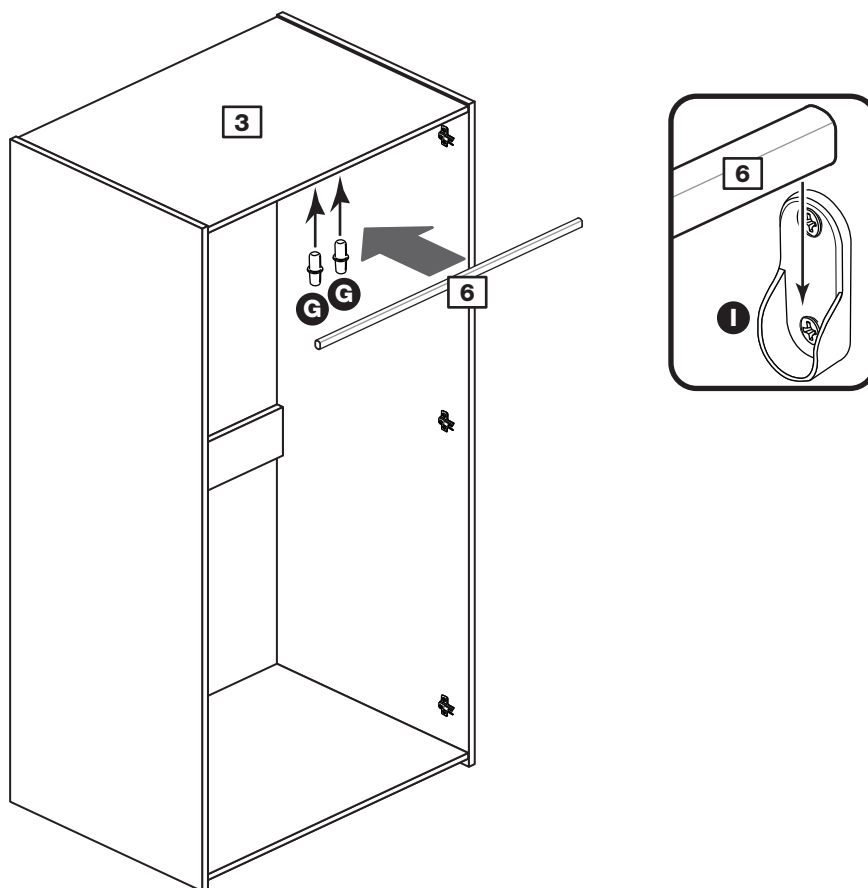
Assembly Instructions

Step 10

Fit the hanging rail and shelf studs

Push the hanging rail **6** into the rail holders **1** fitted to the side panels.

Push the 2 shelf studs **G** up into the holes in the top **3** to act as door buffers.



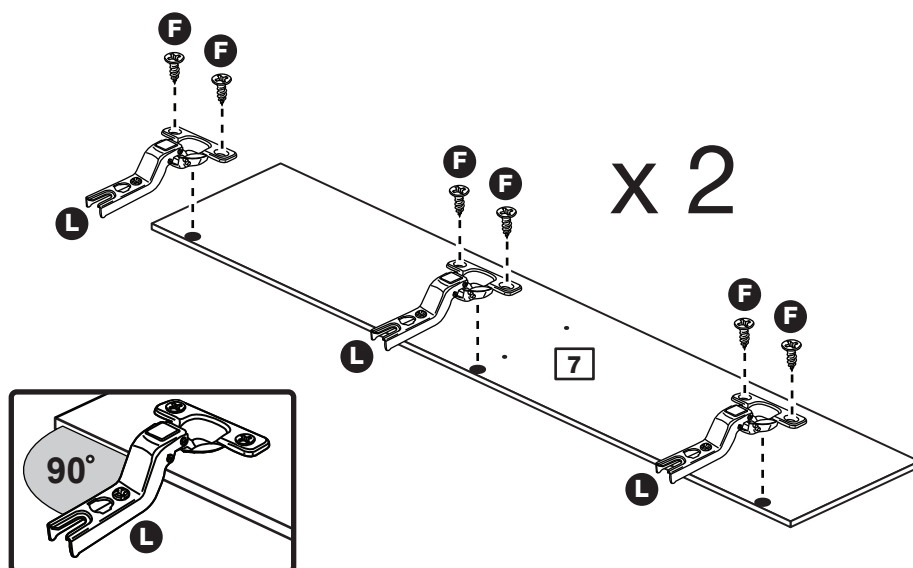
Step 11

Prepare the 2 doors

Push fit 3 hinges **L** into each of the 2 doors **7**.

Secure each hinge with 2 screws **F**.

Note: Before securing with the screws, make sure that the hinges are positioned at 90 degrees with the edge of the door.



Assembly Instructions

Step 12

Fit doors and handles

Note: The easiest way to attach each door **7** is to fit the top hinge first, then align and fit the other hinges.

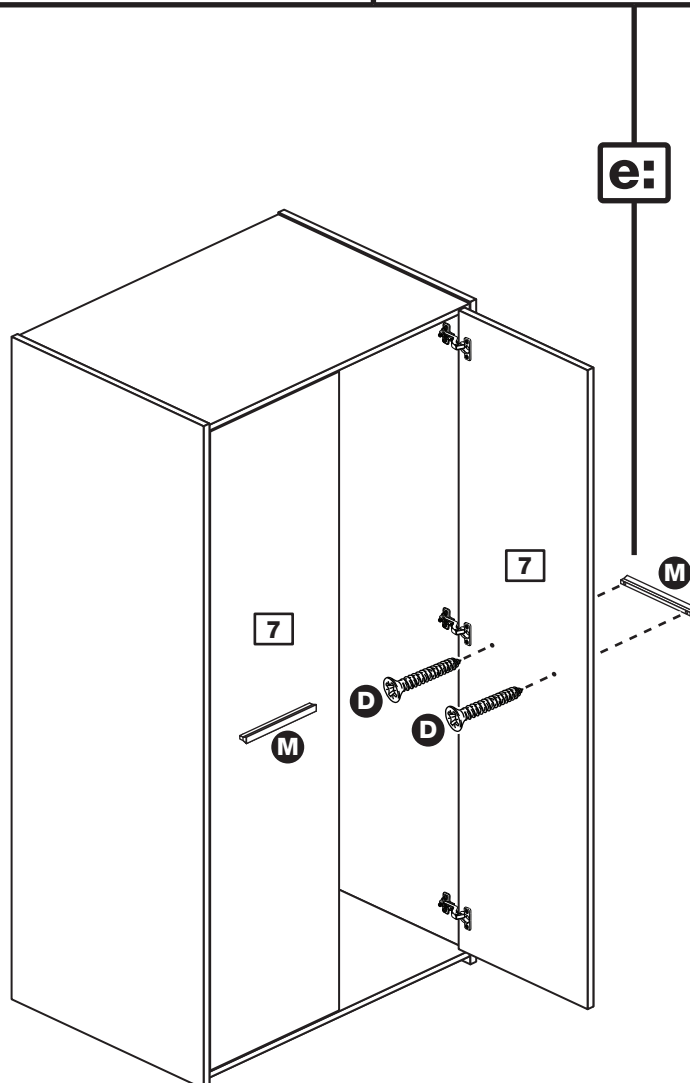
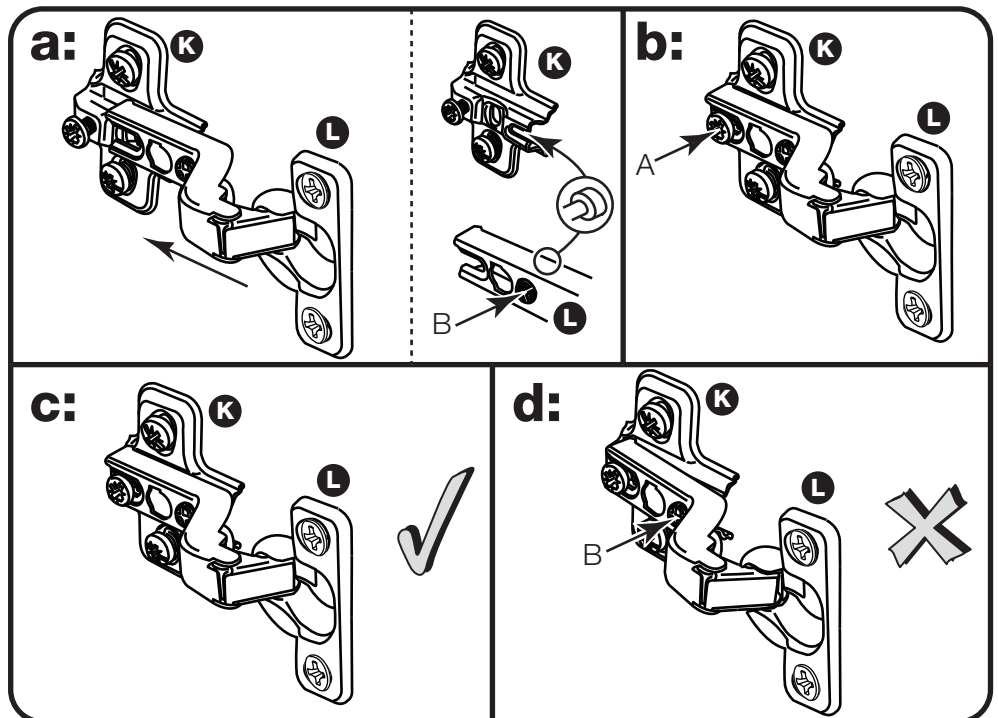
a: Push the hinge **L** onto the front part of the hinge plate **K**. The recess at the bottom of screw B goes into the slot in the hinge plate.

b: Keep the hinge **L** FLAT against the hinge plate **K** as you slide it across as far as it will go. Tighten screw A.

c: The hinge **L** must be flat against the hinge plate **K** prior to any adjustment.

d: The hinge **L** must NOT be AT AN ANGLE to the hinge plate **K** when assembled. This would indicate that the recess at the bottom of screw B had not located in the slot in the hinge plate and the hinge would not be secure. Remove the hinge from the hinge plate and then re-assemble being careful to follow instructions a-c.

e: Attach a handle **M** to each door **7** using 2 screws **D**.



Assembly Instructions

Step 13

Adjust the doors if needed

a: Before adjusting the doors, use a spirit level to check the base (or top) of the unit is level, front-to-back and side-to-side in the 3 positions shown. Use suitable packing pieces (not supplied) to make the unit level BEFORE making any adjustment to the hinges, as shown.

b: Height adjustment.

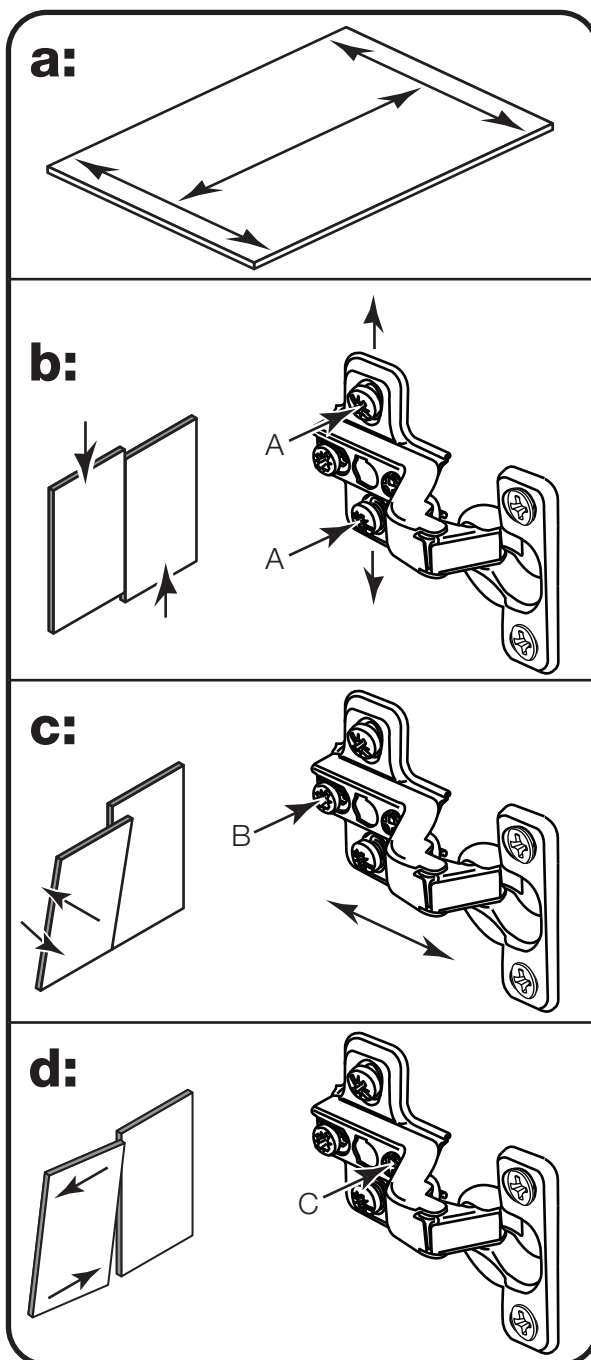
Loosen screws A on hinge plates and move door up or down as required. Retighten screw A.

c: Forward and Back adjustment.

Loosen screw B on hinge plate and move door in or out as required. Retighten screw B.

d: Sideways adjustment.

To move door 'out' loosen screw C. To move door 'in' tighten screw C.



Assembly Instructions

Step 14

Fit the bracket

To prevent possible overbalancing, we recommend that this unit is secured to a suitable wall by use of the bracket **J** fitted to the top of the unit.

Fixings are not supplied, as they will need to suit the wall type and the length of screw will depend on the distance from the back of the unit to the wall.

Fix the bracket **J** loosely onto the top of the unit using screw **E** and mark the wall for the wall fixing.

Swivel the bracket **J** away from the wall and drill a hole in the wall using a suitable drill bit and fit your wall fixing.

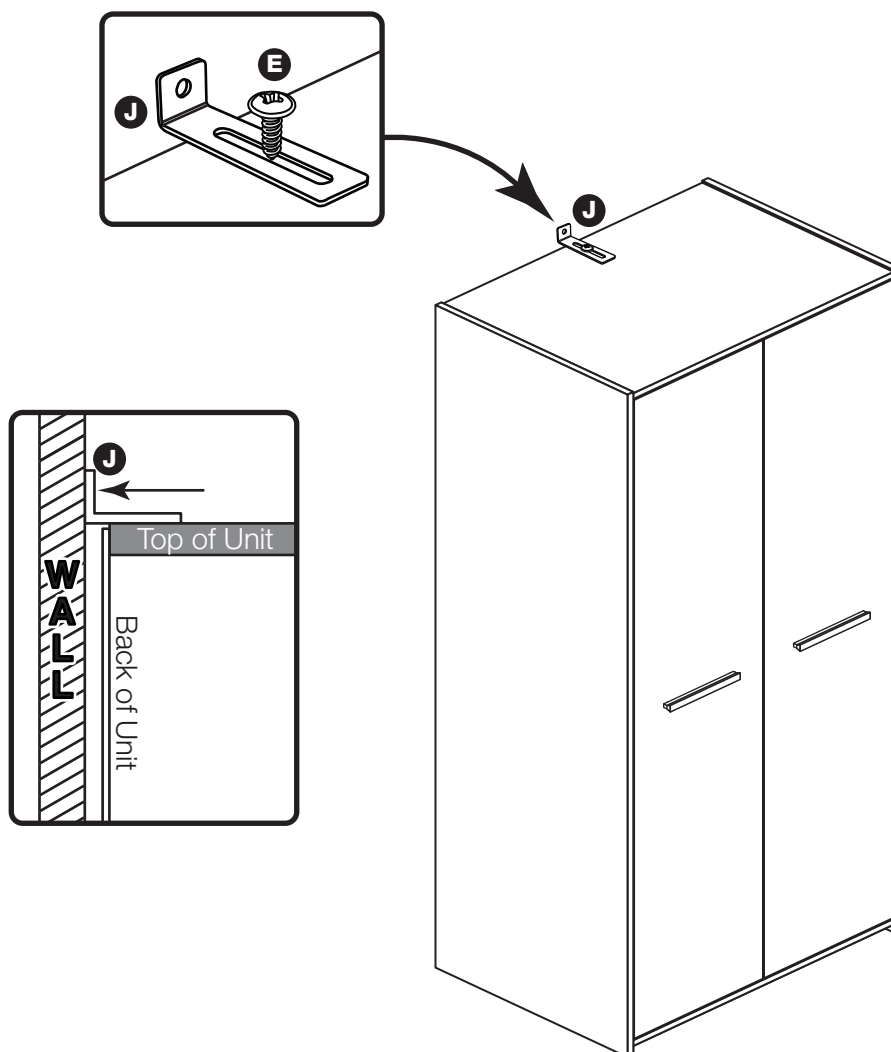
Swivel the bracket **J** back and fix the bracket to the wall, then tighten screw **E**.

Note: Take care when drilling the wall that you do not drill into any pipes, wires etc. If in doubt, consult an expert.



Warning: The unit is heavy. Lift with care.

Assembly is complete



If you need help or have damaged or missing parts, call the Customer Helpline: 08456 400800 and quote the reference numbers on the component pages.

Argos Ltd, 489-499 Avebury Boulevard, Central Milton Keynes, MK9 2NW

New Sywell - 2 Door Robe

Assembly Instructions - Please keep for future reference

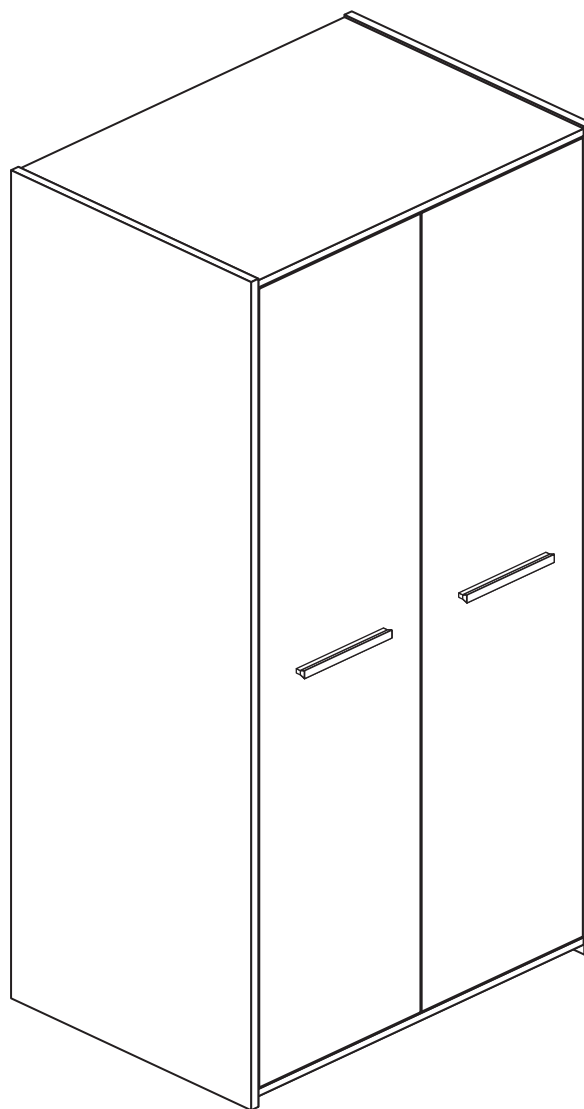
282/4150

266/3768

267/7606

266/2965

281/8960



Dimensions

Width - 70.5cm

Depth - 50cm

Height - 172cm



**MADE IN
BRITAIN**

Important - Please read these instructions fully before starting assembly

If you need help or have damaged or missing parts, call the **Customer Helpline: 03456 400800**



Safety and Care Advice

Important - Please read these instructions fully before starting assembly

- **Warning:** This unit weighs approximately 40.5kgs. Please lift with care.

- Check you have all the components and tools listed on pages 2 and 3.

- Remove all fittings from the plastic bags and separate them into their groups.

- Keep children and animals away from the work area, small parts could choke if swallowed.

- Parts of the assembly will be easier with 2 people.

- Make sure you have enough space to layout the parts before starting.

- Do not stand or put weight on the product, this could cause damage.

- Assemble the item as close to its final position (in the same room) as possible.

- Assemble on a soft level surface to avoid damaging the unit or your floor (use opened out unit carton).



- We do not recommend the use of power drill/drivers **for inserting screws**, as this could damage the unit. Only use hand screwdrivers.

- **Safety note:** It is recommended that this unit is secured to a wall using the overbalance kit supplied.

- Dispose of all packaging carefully and responsibly.

Care and maintenance

- Only clean using a damp cloth and mild detergent, do not use bleach or abrasive cleaners.

- From time to time check that there are no loose screws on this unit.

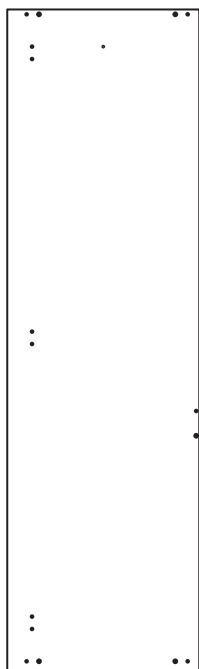
- This product should not be discarded with household waste. Take to your local authority waste disposal centre.

Note: If required the next page can be cut out and used as reference throughout the assembly. Keep this page with these instructions for future reference.

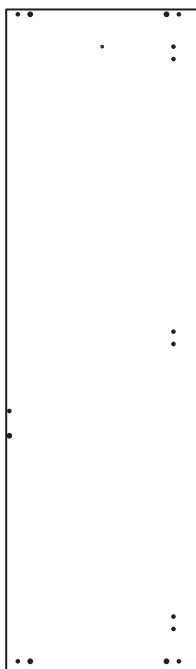
Components - Panels

If you have damaged or missing components, call the **Customer Helpline: 03456 400800** quoting the reference numbers below

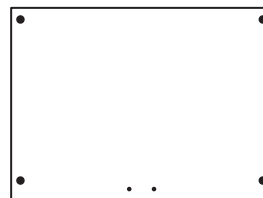
Please check you have all the panels listed below



1 Left Side (D2560A)
(1711 x 496mm)



2 Right Side (D2561A)
(1711 x 496mm)



3 Top (D2559A)
(674 x 494mm)



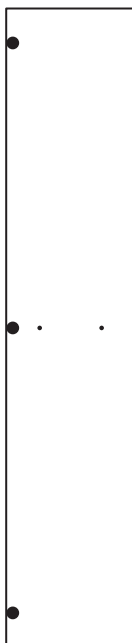
4 Base (D2562A)
(674 x 494mm)



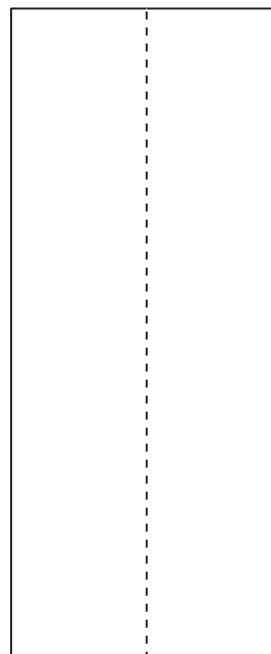
5 Rail (D2597A)
(674 x 125mm)



6 Hanging Rail (FHR666)
(666mm long)



7 Door (D2563A)
(1650 x 333mm) x 2



8 Back (X1682-700)
(1682 x 700mm)

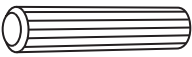
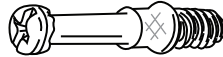


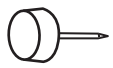

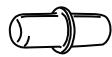
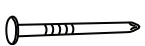
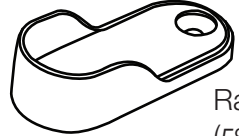
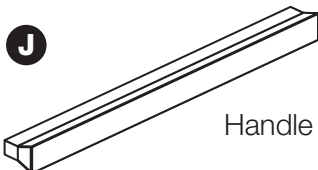

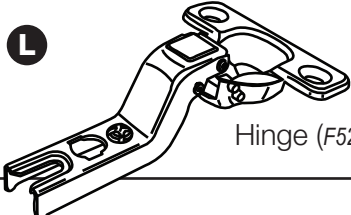
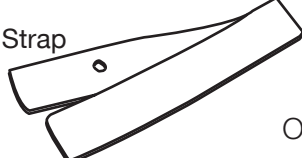




Components - Fittings

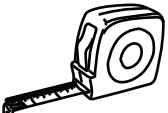
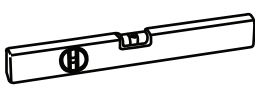

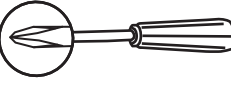

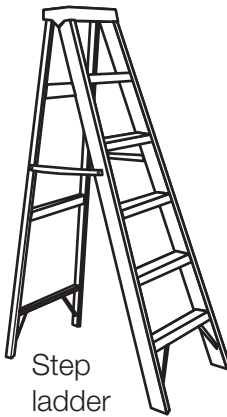



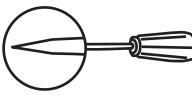
If you have damaged or missing components, call the **Customer Helpline: 03456 400800** quoting the reference numbers below

Please check you have all the fittings listed below

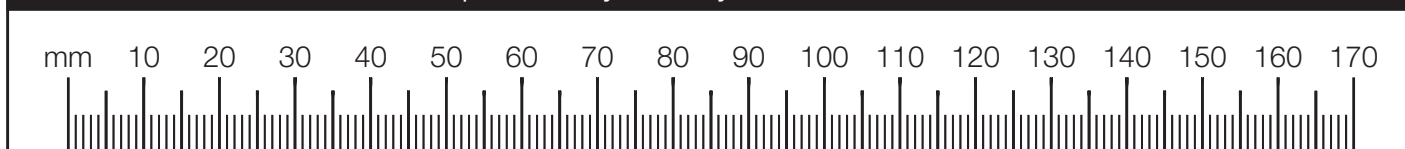
Note: The quantities below are the correct amount to complete the assembly. In some cases more fittings may be supplied than are required.

| | | |
|--|--|--|
| <p>A </p> <p>Wooden dowel (F22) x 10</p> | <p>B </p> <p>Metal dowel (F901) x 10</p> | <p>C </p> <p>Large locking nut (F900) x 10</p> |
| <p>D </p> <p>25mm Screw (F95) x 4</p> | <p>E </p> <p>Plastic Nail (F91) x 4</p> | <p>F </p> <p>13mm Screw (F63) x 16</p> |
| <p>G </p> <p>Shelf stud (F110) x 2</p> | <p>H </p> <p>Nail (F51) x 32</p> | <p>I </p> <p>Rail Holder (F891) x 2</p> |
| <p>J </p> <p>Handle (F315) x 2</p> | <p>K </p> <p>Hinge plate (F523) x 6</p> | <p>L </p> <p>Hinge (F522) x 6</p> |
| <p>M   Screw  Washer x 2</p> <p>Overbalance protector kit (F269) x 1</p> | | |

Tools required

| | | | | | |
|---|--|---|---|--|---|
| <p></p> <p>Rule</p> | <p></p> <p>Spirit level</p> | <p></p> <p>Eye protection (when using a hammer or drill)</p> | <p></p> <p>Cross-head screwdriver</p> | <p></p> <p>Electric drill (only use when drilling into walls)</p> | <p></p> <p>Step ladder</p> |
| <p></p> <p>Square</p> | <p></p> <p>Scissors</p> | <p></p> <p>Hammer</p> | <p></p> <p>Bradawl</p> | | |

Ruler - Use this ruler to help correctly identify the screws



Assembly Instructions

If you have damaged or missing components, call the Customer Helpline: 03456 400800 quoting the reference numbers below

Step 1

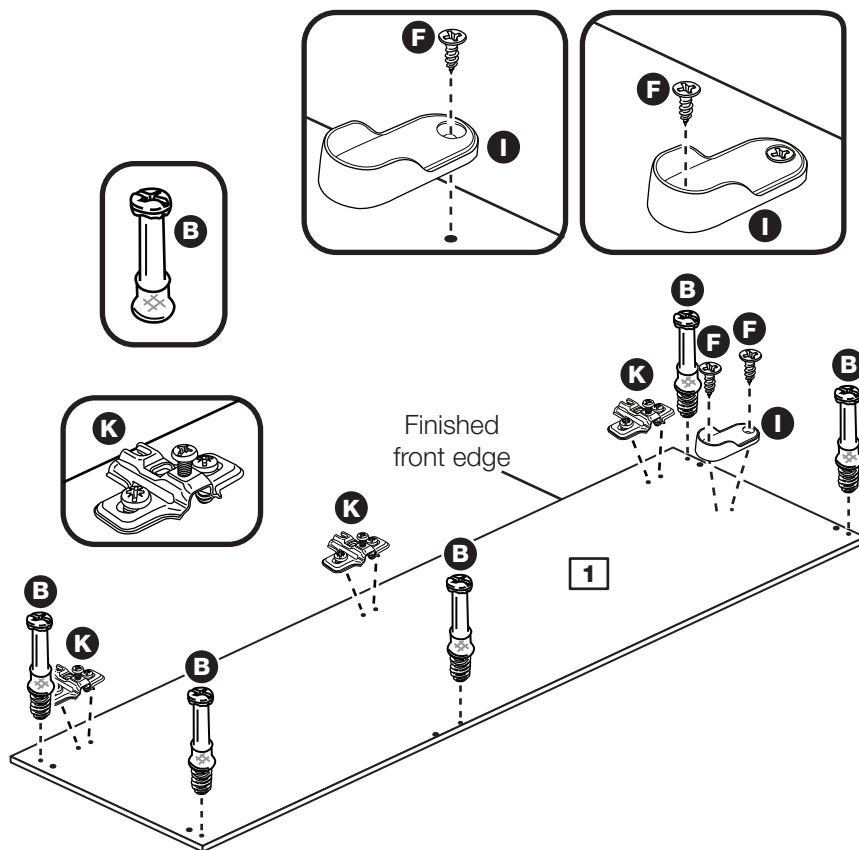
Prepare the left side

Screw 5 metal dowels **B** into the left side **1**.

Note: Tighten the metal dowels up fully against the panels.

Fit 3 hinge plates **K** onto the left side **1**, making sure that the slot is facing towards the finished front edge.

To fit the rail holder **I**, screw through the top hole with screw **F** and into the mark hole drilled in the left side **1**. Make sure that it is fitted straight, in line with the panel edges and then fit another screw **F** using the lower hole.



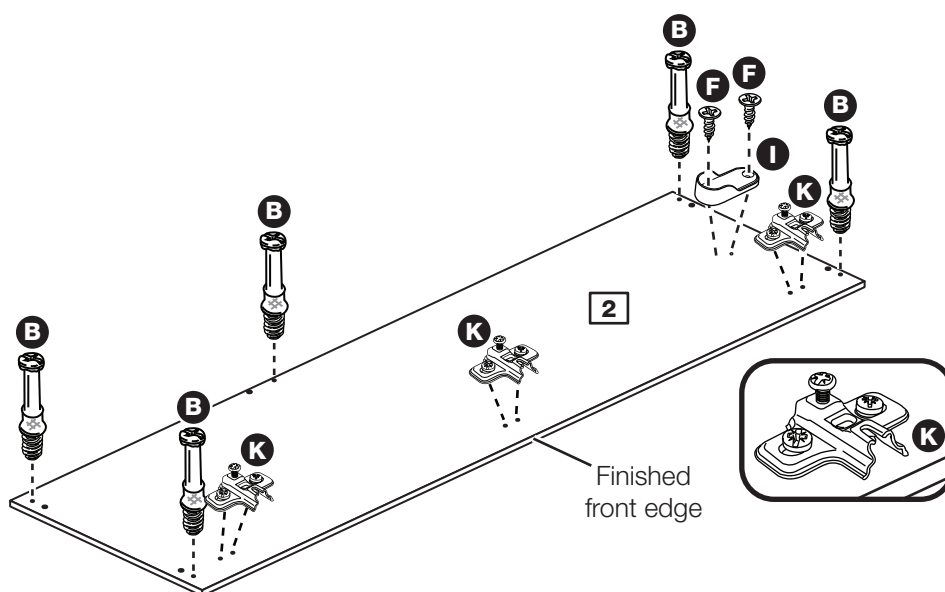
Step 2

Prepare the right side

Screw 5 metal dowels **B** into the right side **2**.

Fit 3 hinge plates **K** onto the right side **2**, making sure that the slot is facing towards the finished front edge.

To fit the rail holder **I**, screw through the top hole with screw **F** and into the mark hole drilled in the right side **2**. Make sure that it is fitted straight, in line with the panel edges and then fit another screw **F** using the lower hole.



Assembly Instructions

Step 3

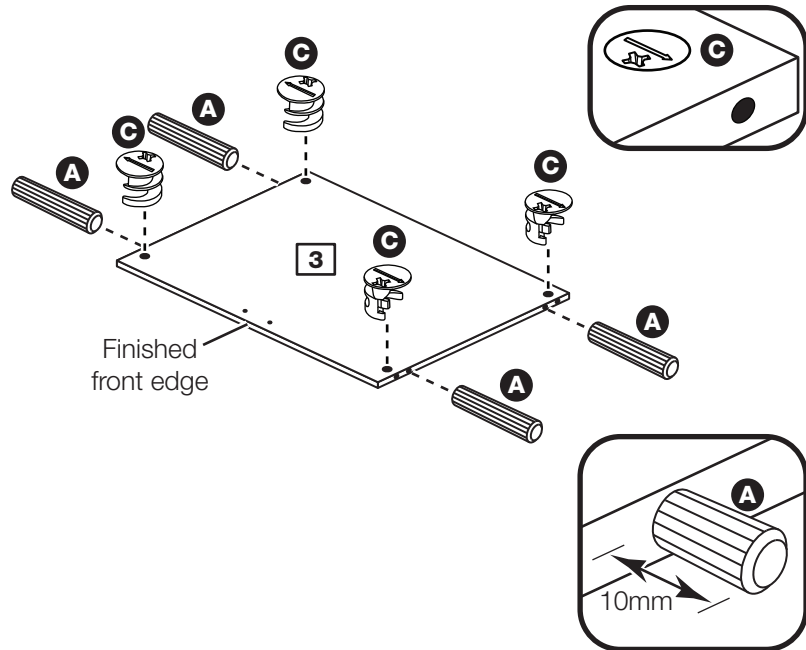
Prepare the top

Tap 4 wooden dowels **A** into the top **3**.

Note: Wooden dowels **must not** stick out from the edge by more than 10mm or they may damage other panels.

Insert 4 large locking nuts **C** into the top **3**.

Note: The arrow on the locking nut **must** point towards the hole in the edge of the panel.

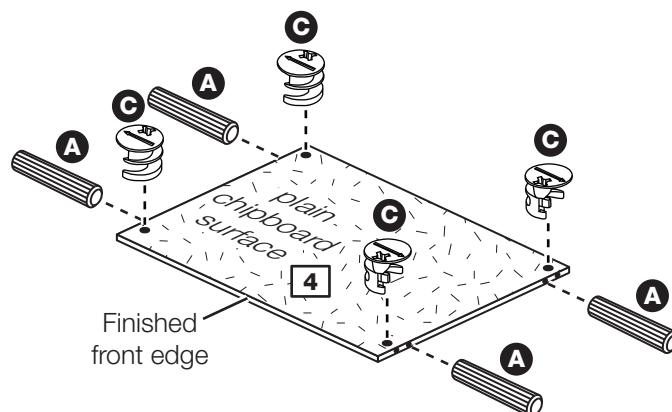


Step 4

Prepare the base

Tap 4 wooden dowels **A** into the base **4**.

Insert 4 large locking nuts **C** into the base **4**.



Assembly Instructions

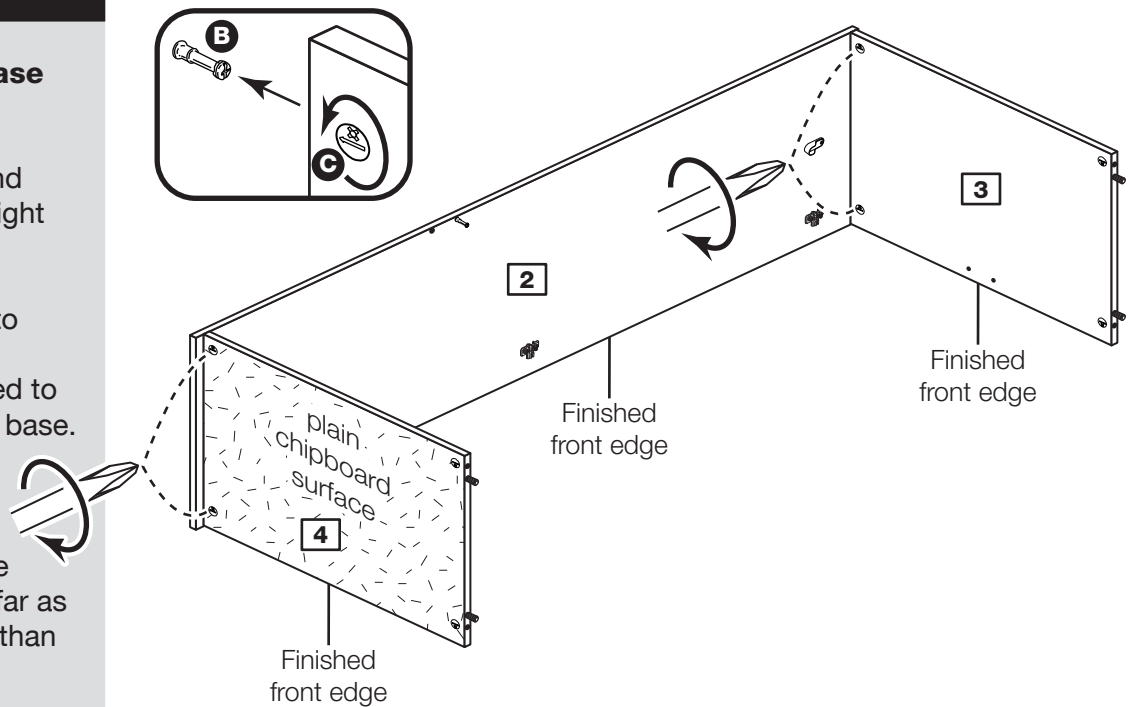
Step 5

Fit the top and base to the right side

Push the top **3** and base **4** onto the right side **2**.

Use a screwdriver to tighten the 4 large locking nuts **C** fitted to the top **3** and **4** base.

Note: Turn the large locking nuts **C** as far as they will go - more than 1/2 a turn.

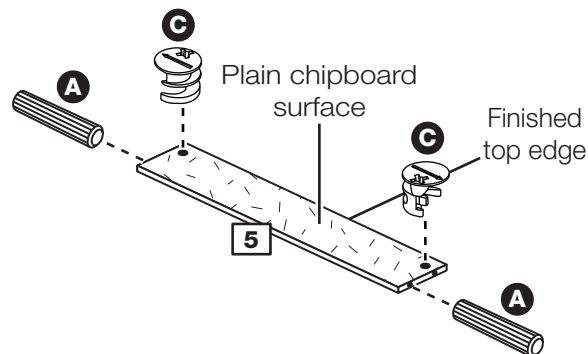


Step 6

Prepare the rail

Tap 2 wooden dowels **A** into the rail **5**.

Insert 2 large locking nuts **C** into the rail **5**.

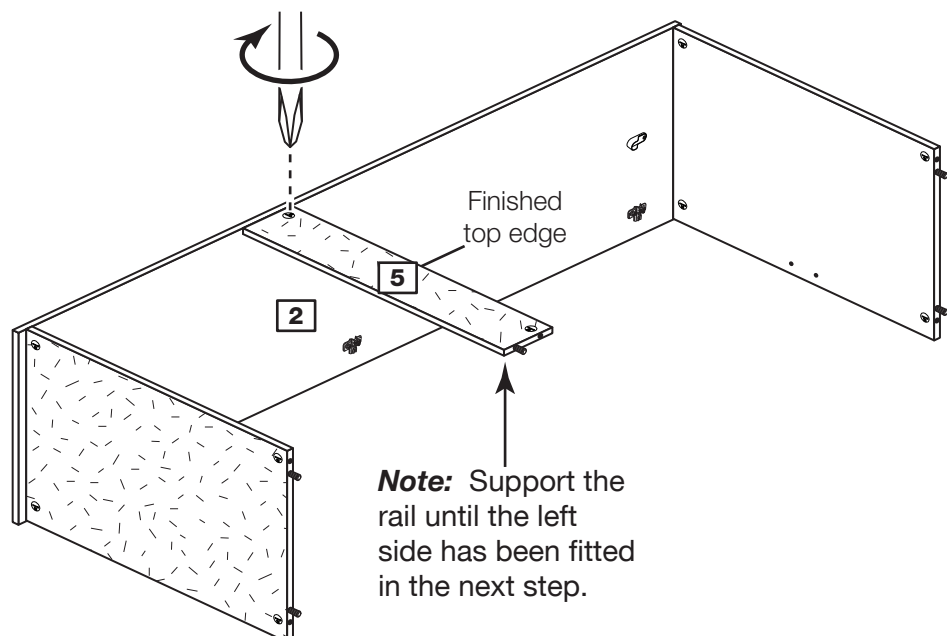


Step 7

Fit the rail

Push the rail **5** onto the right side **2**.

Use a screwdriver to tighten the large locking nut **C** fitted to the rail **5**.



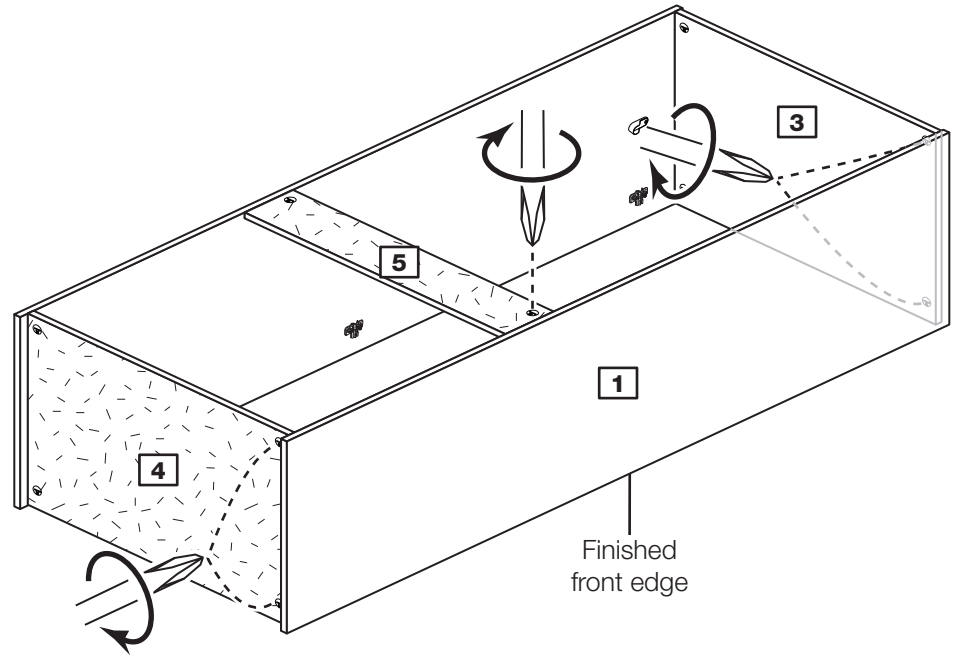
Assembly Instructions

Step 8

Fit the left side

Push the left side **1** onto the assembly.

Use a screwdriver to tighten the 5 large locking nuts **C** fitted to the top **3**, base **4** and rail **5**.



Step 9

Fit the back and plastic nails

a: Square up the unit by making sure that measurement **x to x** equals **y to y**.

b: Place the back **8**, coloured surface facing down, onto the unit as shown.

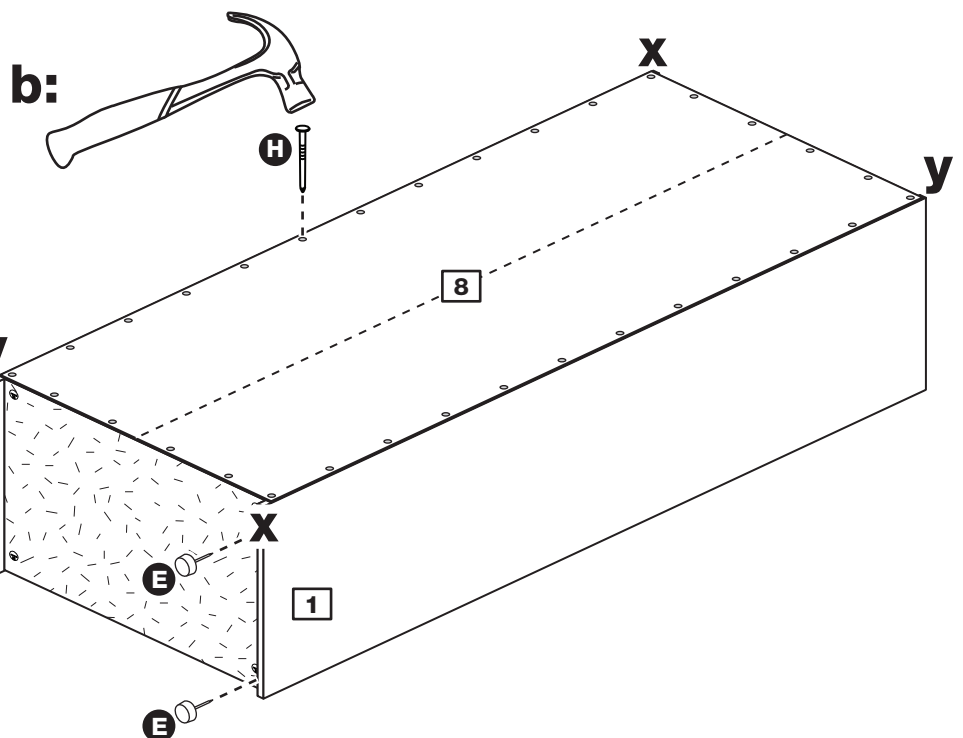
Nail **H** around the outside edges of the back **8**.

Note: Nails should be spaced about 150mm apart.

Tap 2 plastic nails **E** into the bottom edge of each of the sides **1** and **2**.

Stand the unit up for the next stage.

a: The measurement from top corner X to bottom corner X must be equal to the measurement from top corner Y to bottom corner Y



Warning: The unit is heavy. Lift with care.

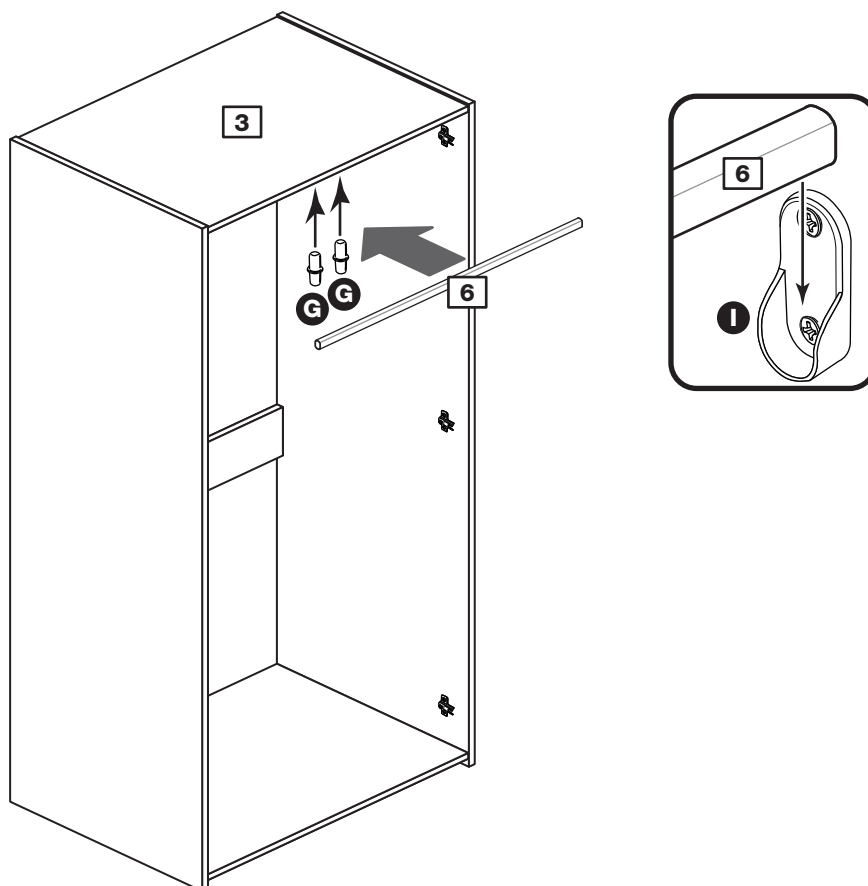
Assembly Instructions

Step 10

Fit the hanging rail and shelf studs

Push the hanging rail **6** into the rail holders **1** fitted to the side panels.

Push the 2 shelf studs **G** up into the holes in the top **3** to act as door buffers.



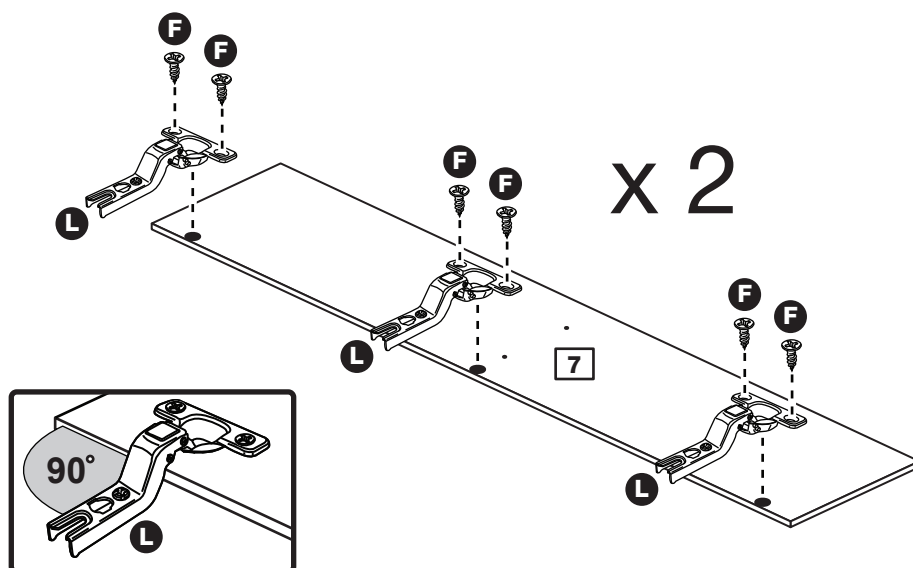
Step 11

Prepare the 2 doors

Push fit 3 hinges **L** into each of the 2 doors **7**.

Secure each hinge with 2 screws **F**.

Note: Before securing with the screws, make sure that the hinges are positioned at 90 degrees with the edge of the door.



Assembly Instructions

Step 12

Fit doors and handles

Note: The easiest way to attach each door **7** is to fit the top hinge first, then align and fit the other hinges.

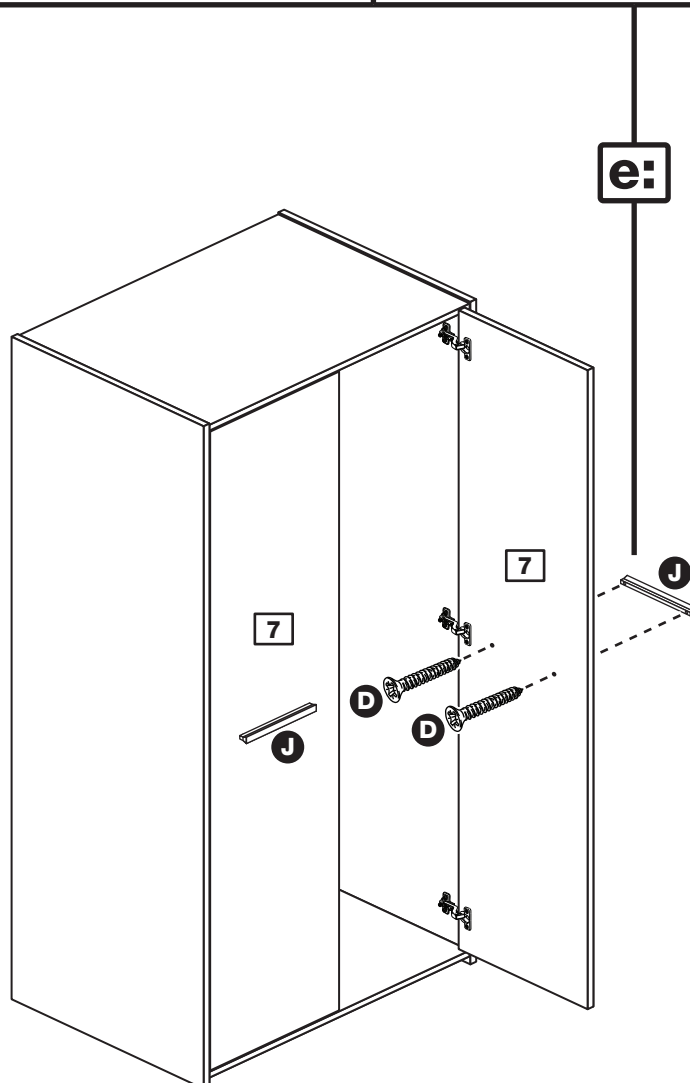
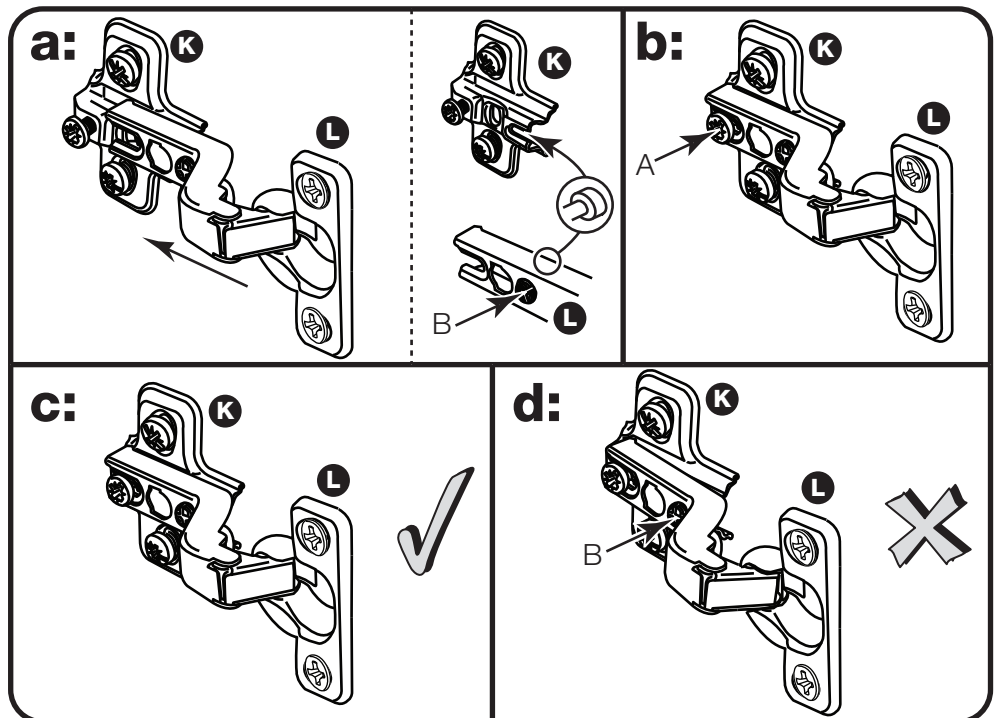
a: Push the hinge **L** onto the front part of the hinge plate **K**. The recess at the bottom of screw B goes into the slot in the hinge plate.

b: Keep the hinge **L** FLAT against the hinge plate **K** as you slide it across as far as it will go. Tighten screw A.

c: The hinge **L** must be flat against the hinge plate **K** prior to any adjustment.

d: The hinge **L** must NOT be AT AN ANGLE to the hinge plate **K** when assembled. This would indicate that the recess at the bottom of screw B had not located in the slot in the hinge plate and the hinge would not be secure. Remove the hinge from the hinge plate and then re-assemble being careful to follow instructions a-c.

e: Attach a handle **J** to each door **7** using 2 screws **D**.



Assembly Instructions

Step 13

Adjust the doors if needed

a: Before adjusting the doors, use a spirit level to check the base (or top) of the unit is level, front-to-back and side-to-side in the 3 positions shown. Use suitable packing pieces (not supplied) to make the unit level BEFORE making any adjustment to the hinges, as shown.

b: Height adjustment.

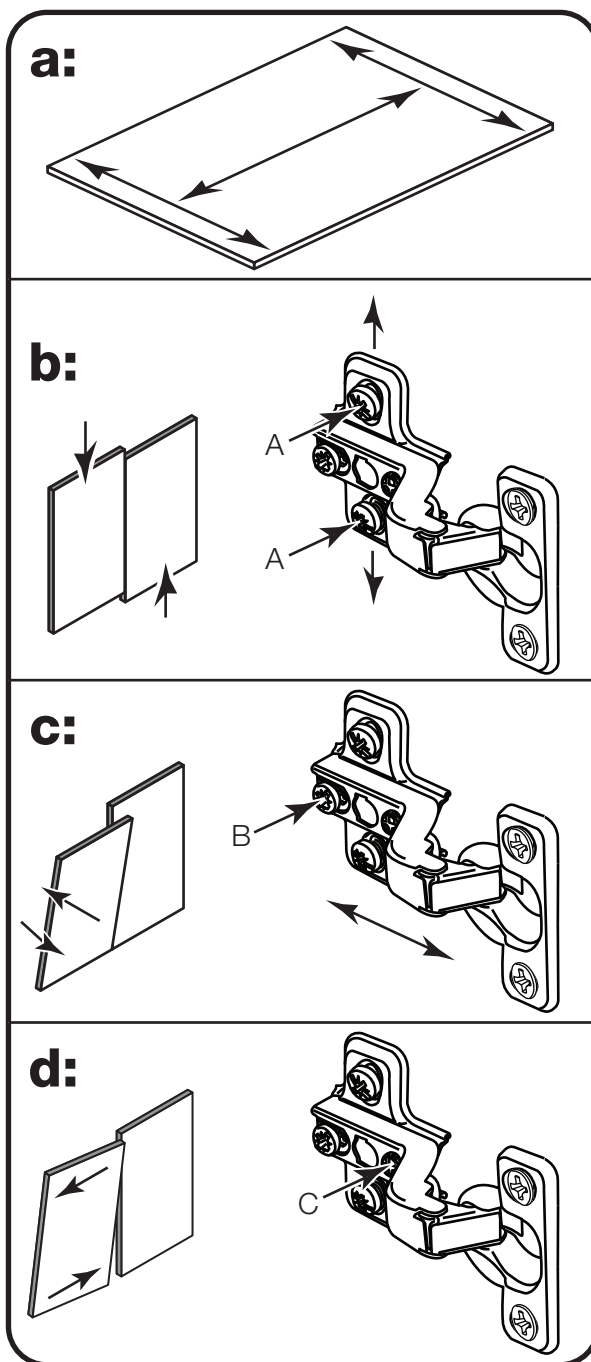
Loosen screws A on hinge plates and move door up or down as required. Retighten screw A.

c: Forward and Back adjustment.

Loosen screw B on hinge plate and move door in or out as required. Retighten screw B.

d: Sideways adjustment.

To move door 'out' loosen screw C. To move door 'in' tighten screw C.



Assembly Instructions

Step 14

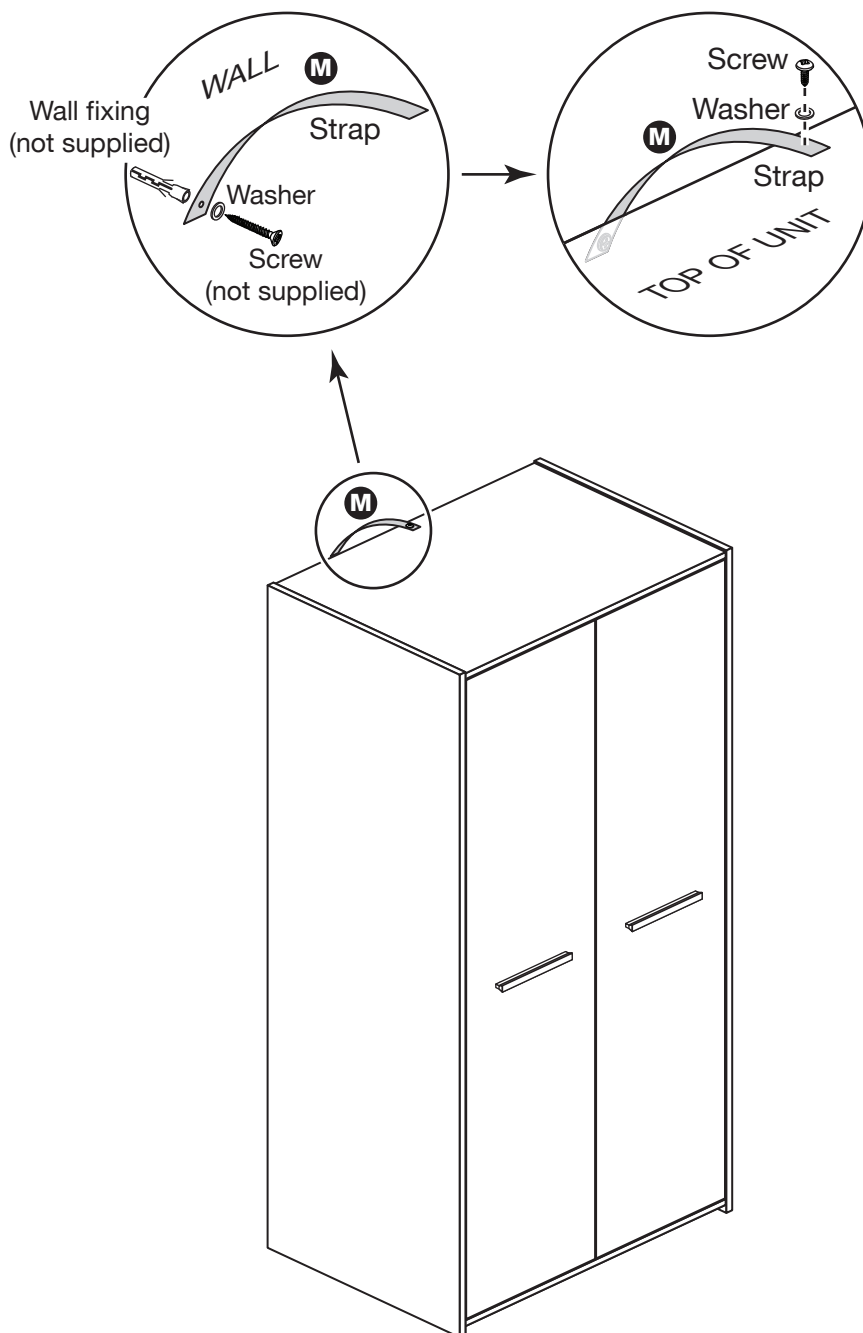
Fit the overbalance protector kit

To prevent possible overbalancing we recommend that this unit is secured to a suitable wall by fitting of the overbalance protector kit **M** to the unit, or an alternative fixing method of your choice.

Wall fixings are not supplied as they will need to suit the wall type.

Note: Take care when drilling the wall that you do not drill into any pipes, wires etc. If in doubt, consult an expert.

Assembly is complete



If you need help or have damaged or missing parts, call the Customer Helpline: 03456 400800 and quote the reference numbers on the component pages.

Argos Ltd, 489-499 Avebury Boulevard, Central Milton Keynes, MK9 2NW

New Sywell - 2 Drawer Bedside

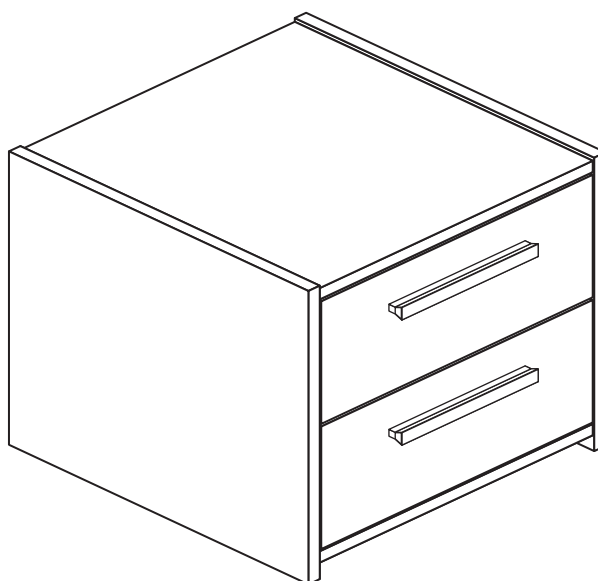
Assembly Instructions - Please keep for future reference

282/8417

268/4792

281/2612

279/9618



Dimensions

Width - 39.5cm

Depth - 40cm

Height - 39cm



**MADE IN
BRITAIN**

Important - Please read these instructions fully before starting assembly

If you need help or have damaged or missing parts, call the **Customer Helpline: 08456 400800**



Safety and Care Advice

Important - Please read these instructions fully before starting assembly

- **Warning:** This unit weighs approximately 10kgs. Please lift with care.

- Check you have all the components and tools listed on pages 2 and 3.

- Remove all fittings from the plastic bags and separate them into their groups.

- Keep children and animals away from the work area, small parts could choke if swallowed.

- Parts of the assembly will be easier with 2 people.

- Make sure you have enough space to layout the parts before starting.

- Do not stand or put weight on the product, this could cause damage.

- Assemble the item as close to its final position (in the same room) as possible.

- Assemble on a soft level surface to avoid damaging the unit or your floor (use opened out unit carton).



- We do not recommend the use of power drill/drivers **for inserting screws**, as this could damage the unit. Only use hand screwdrivers.

- **Safety note:** If there is any chance of this unit being pulled over by children etc. it is recommended that the unit is secured to a wall using suitable fixings (not supplied).

- Dispose of all packaging carefully and responsibly.

Care and maintenance

- Only clean using a damp cloth and mild detergent, do not use bleach or abrasive cleaners.

- From time to time check that there are no loose screws on this unit.

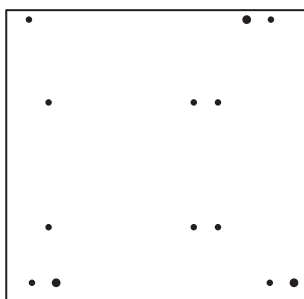
- This product should not be discarded with household waste. Take to your local authority waste disposal centre.

Note: If required the next page can be cut out and used as reference throughout the assembly. Keep this page with these instructions for future reference.

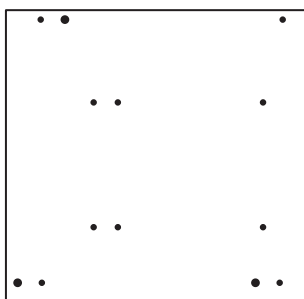
Components - Panels

If you have damaged or missing components, call the **Customer Helpline: 08456 400800** quoting the reference numbers below

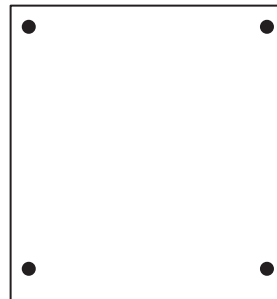
Please check you have all the panels listed below



1 Left Side (D2542A)
(388 x 396mm)



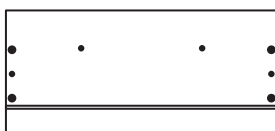
2 Right Side (D2543A)
(388 x 396mm)



3 Top (D2541A)
(363 x 394mm)



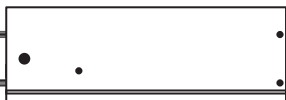
4 Rail (D2544A)
(363 x 78mm) x 2



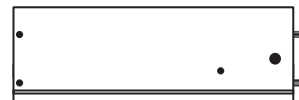
5 Drawer Front (D2545A)
(359 x 162mm) x 2



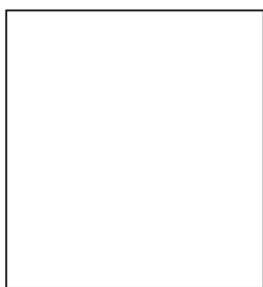
6 Drawer Back (W330-124)
(330 x 124mm) x 2



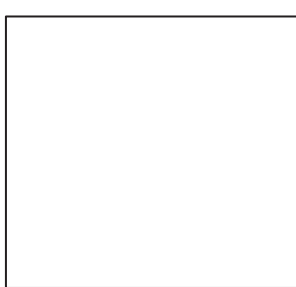
7 Left Drawer Side (W370-124LH)
(370 x 124mm) x 2



8 Right Drawer Side (W370-124RH)
(370 x 124mm) x 2



9 Drawer Base (T342-367)
(342 x 367mm) x 2



10 Back (X389-359)
(389 x 359mm)

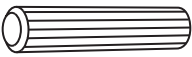
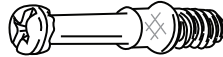




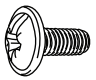

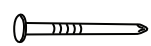
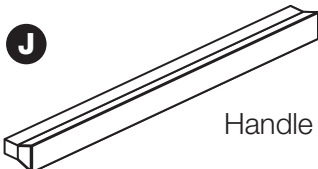





Components - Fittings

If you have damaged or missing components, call the **Customer Helpline: 08456 400800** quoting the reference numbers below

Please check you have all the fittings listed below

Note: The quantities below are the correct amount to complete the assembly. In some cases more fittings may be supplied than are required.

| | | |
|---|--|--|
| <p>A </p> <p>Wooden dowel (F22) x 6</p> | <p>B </p> <p>Metal dowel (F901) x 12</p> | <p>C </p> <p>Knock-in Peg (F171) x 8</p> |
| <p>D </p> <p>Large locking nut (F900) x 8</p> | <p>E </p> <p>Small locking nut (F3) x 4</p> | <p>F </p> <p>25mm Screw (F95) x 4</p> |
| <p>G </p> <p>9mm Screw (F74) x 4</p> | <p>H </p> <p>9mm Screw (F73) x 8</p> | <p>I </p> <p>Nail (F51) x 10</p> |
| <p>J </p> <p>Handle (F315) x 2</p> | <p>K </p> <p>Drawer runner (F1004) x 4</p> | |
| <p>L </p> <p>Wedgex (F639) x 4</p> | <p>M </p> <p>Plastic Nail (F91) x 4</p> | |

Tools required



Rule



Cross-head screwdriver



Scissors



Hammer

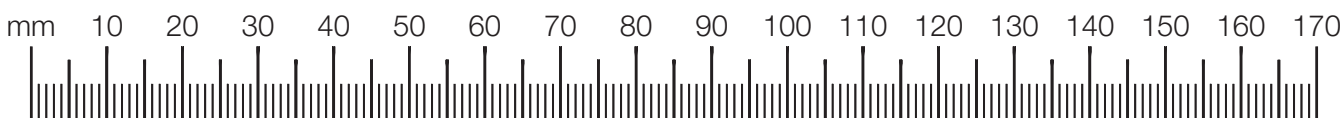


Eye protection (when using a hammer or drill)



Electric drill (do not use for fitting screws)

Ruler - Use this ruler to help correctly identify the screws



Assembly Instructions

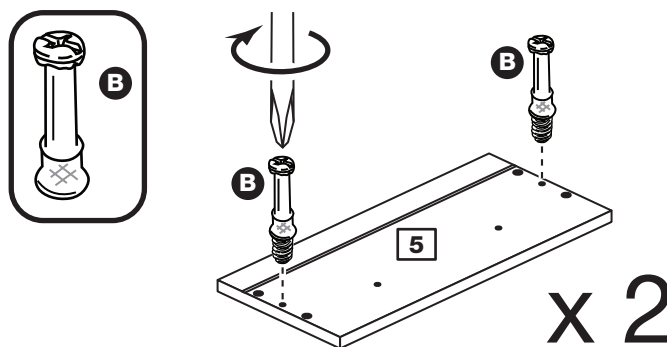
If you have damaged or missing components, call the
Customer Helpline: 08456 400800 quoting the reference
numbers below

Step 1

Prepare the drawer fronts

Screw 2 metal dowels **B** into the holes shown on the back of each drawer front **5**.

Note: Tighten the metal dowels up fully against the panels.



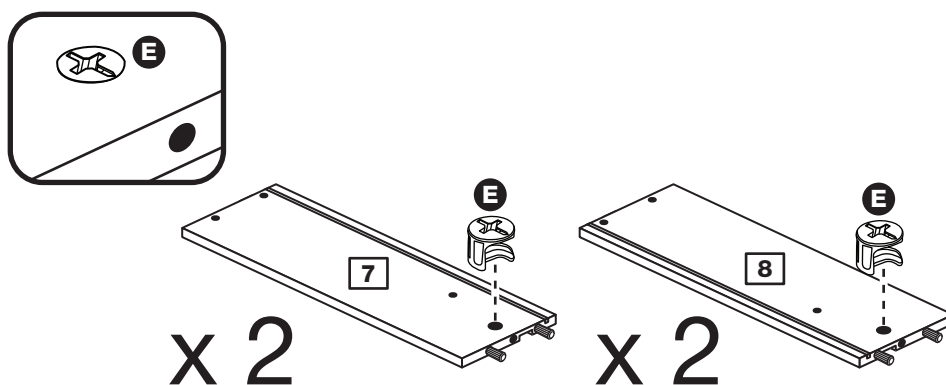
Step 2

Prepare the drawer sides

Insert a small locking nut **E** into the hole shown on the left drawer side **7** and right drawer side **8**.

Note: Arrow on locking nut **must** point towards hole in edge of panel.

Note: Due to the manufacturing process, the holes for the locking nut can be on either surface of the drawer sides.



Step 3

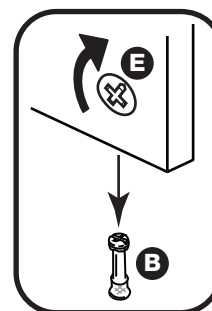
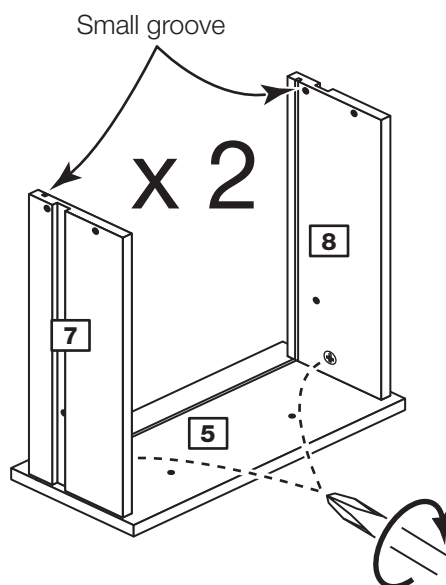
Attach the drawer sides to the drawer front

Push the left drawer side **7** and right drawer side **8** onto the back of the drawer front **5**.

Turn the small locking nuts **E** on the left drawer side **7** and right drawer side **8**.

Note: Turn the locking nuts **E** clockwise to secure panels - more than 1/2 a turn.

Note: The locking nuts can be on either surface of the drawer sides. Make sure that the small groove is on the inside, as shown.

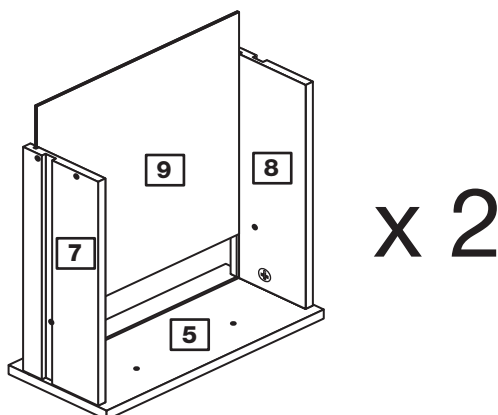


Assembly Instructions

Step 4

Fit the drawer base

Slide the drawer base **9** down the grooves in the drawer sides **7** and **8** and down into the groove in the drawer front **5**.



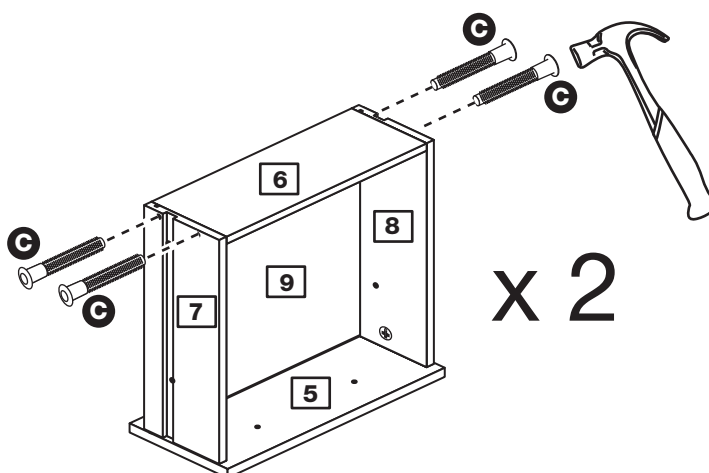
Step 5

Fit the drawer back

Fit the drawer back **6** down onto the drawer base **9**.

Make sure that the drawer base **9** fits into the groove in the drawer back **6**.

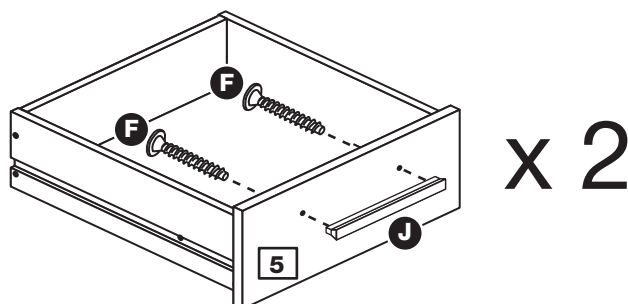
Hold the drawer back **6** in position and tap the knock-in pegs **C** through the holes in the drawer sides **7** and **8**.



Step 6

Attach the handle

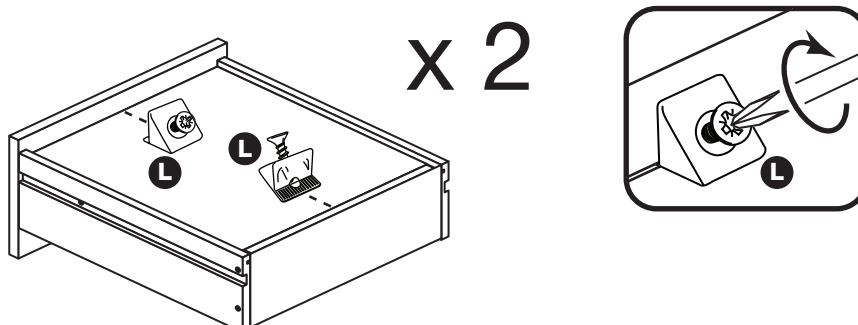
Attach a handle **J** to each drawer front **5** using 2 screws **F**.



Step 7

Fit the wedgifixes

Turn the drawer assemblies over and slide 2 wedgifixes **L** into the front and back grooves, as shown, and tighten up the screws.



Assembly Instructions

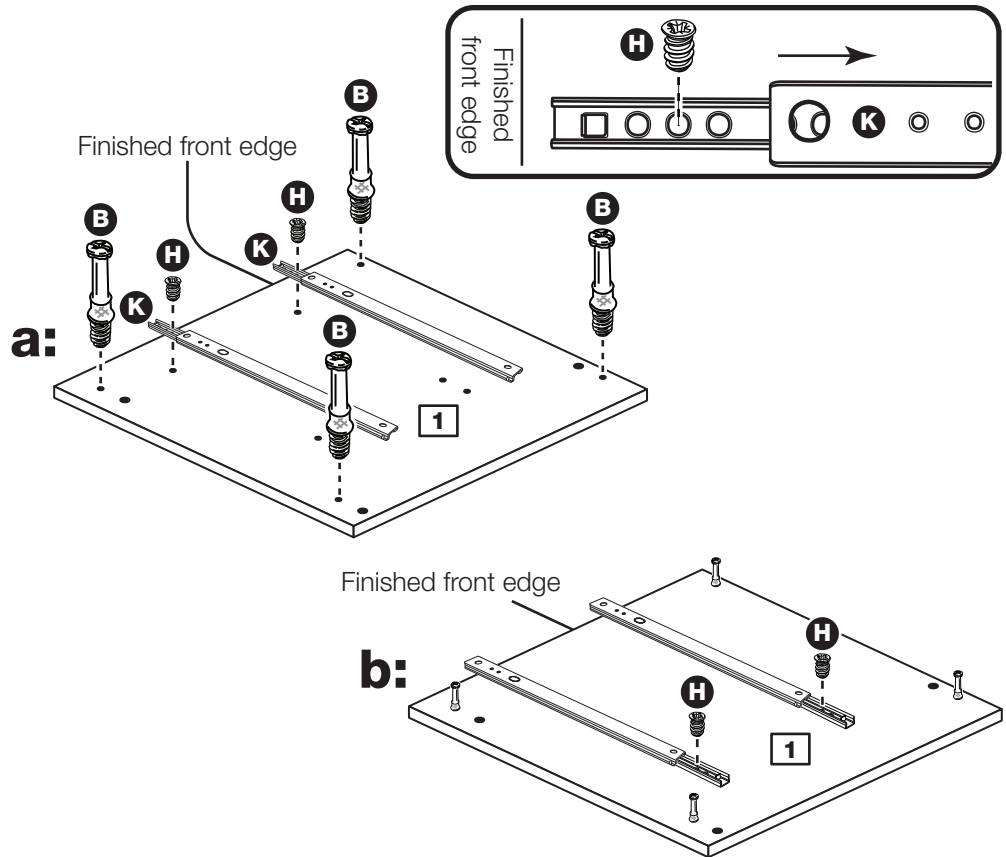
Step 7

Prepare the left side

a: Place 2 runners **K** on the left side **1**. Slide back the top of the runner and use the 2nd hole from the front to fit the 1st screw **H**.

Screw 4 metal dowels **B** into the left side **1**.

b: Slide the runner **K** back the other way and fit the 2nd screw **H** into the corresponding hole in the left side **1**.



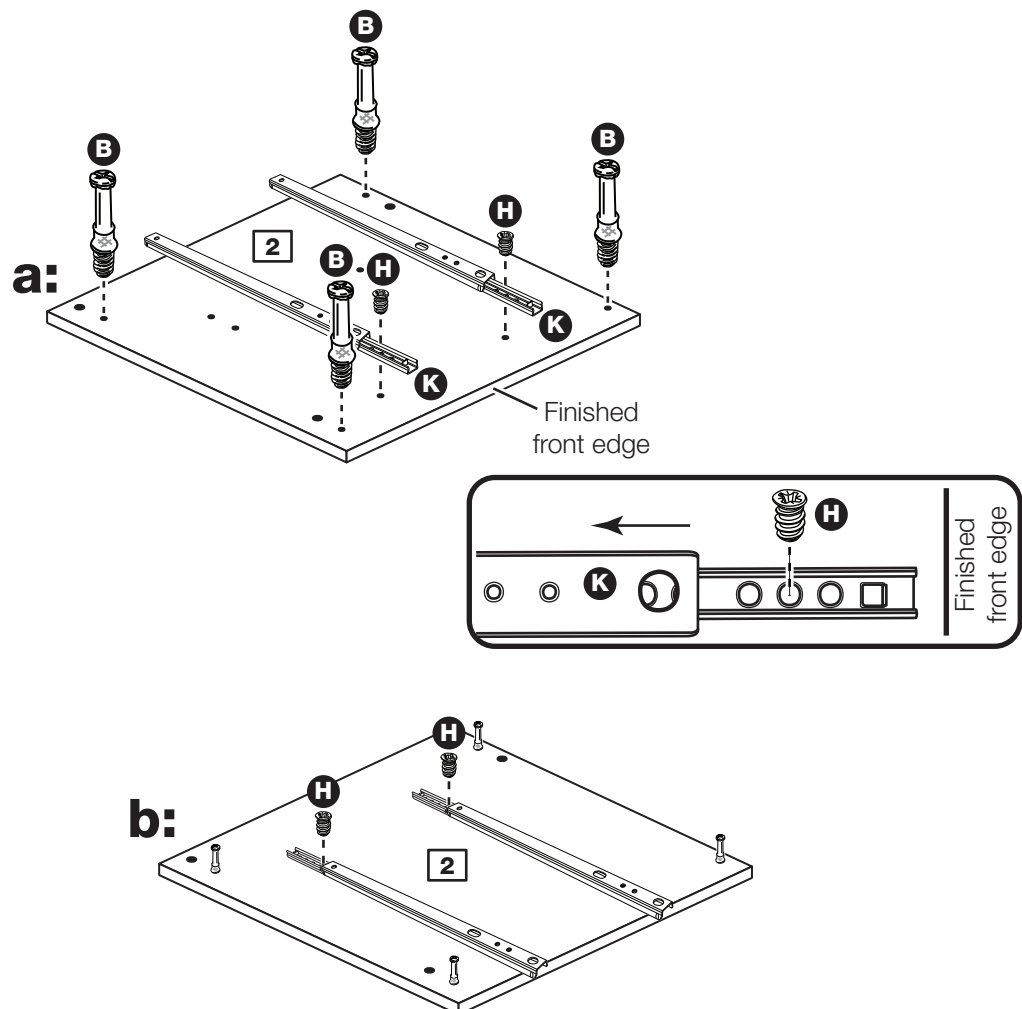
Step 8

Prepare the right side

a: Place 2 runners **K** on the right side **2**. Slide back the top of the runner and use the 2nd hole from the front to fit the 1st screw **H**.

Screw 4 metal dowels **B** into the right side **2**.

b: Slide the runner **K** back the other way and fit the 2nd screw **H** into the corresponding hole in the right side **2**.



Assembly Instructions

Step 9

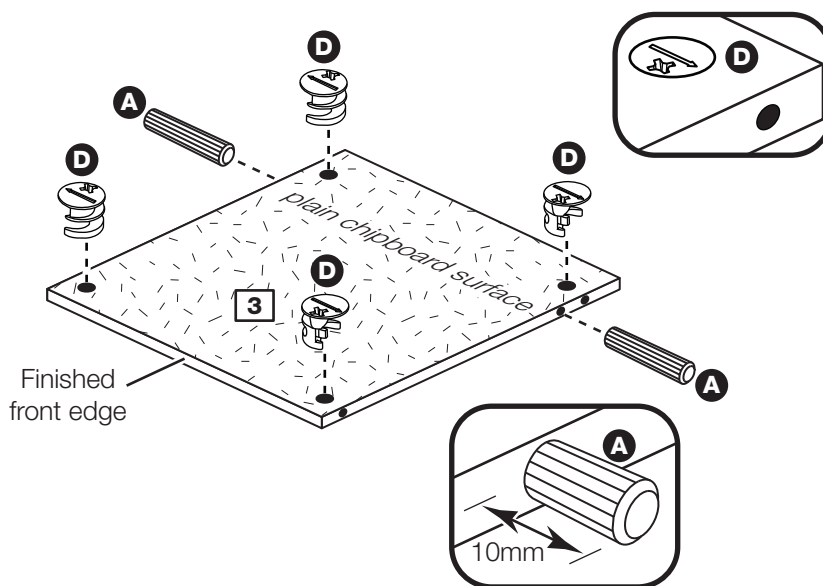
Prepare the top

Tap 2 wooden dowels **A** into the top **3**.

Note: Wooden dowels **must not** stick out from the edge by more than 10mm or they may damage other panels.

Insert 4 large locking nuts **D** into the top **3**.

Note: The arrow on the locking nut **must** point towards the hole in the edge of the panel.



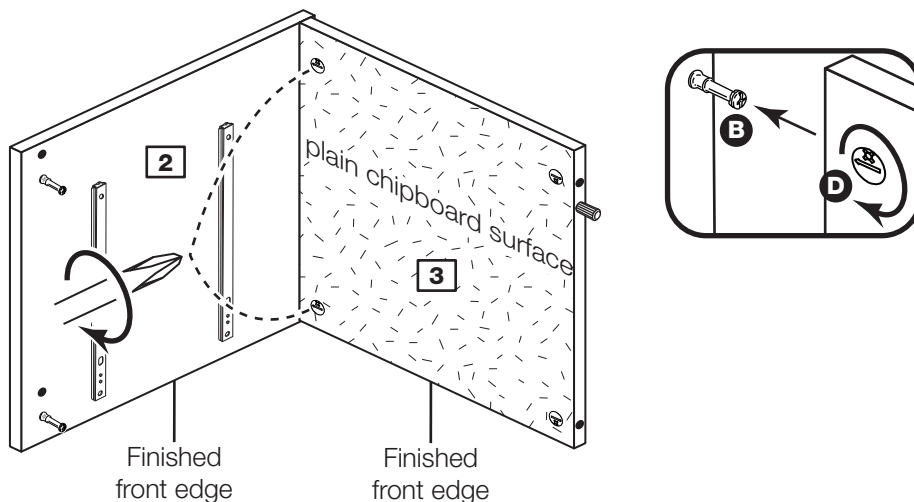
Step 10

Fit the top to the right side

Push the top **3** onto the right side **2**.

Use a screwdriver to tighten the 2 large locking nuts **D** fitted to the top **3**.

Note: Turn the large locking nuts **D** as far as they will go - more than 1/2 a turn.

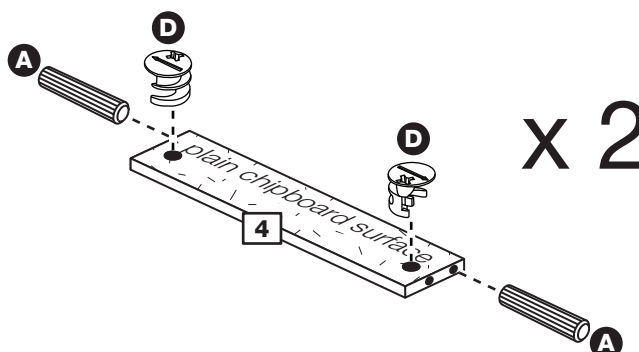


Step 11

Prepare the 2 rails

Tap 2 wooden dowels **A** into each of the 2 rails **4**.

Insert 2 large locking nuts **D** into each of the 2 rails **4**.



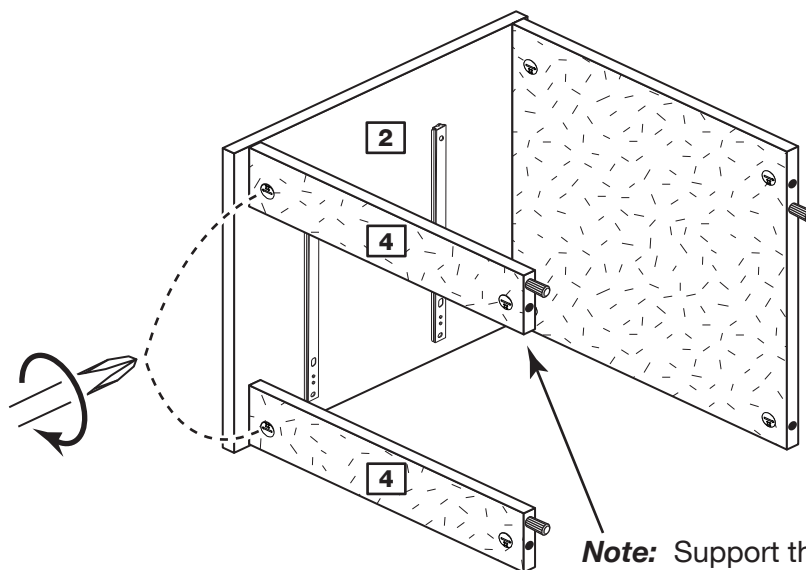
Assembly Instructions

Step 12

Fit the 2 rails

Push the 2 rails **4** onto the right side **2**.

Use a screwdriver to tighten the large locking nut **D** fitted to each of the 2 rails **4**.



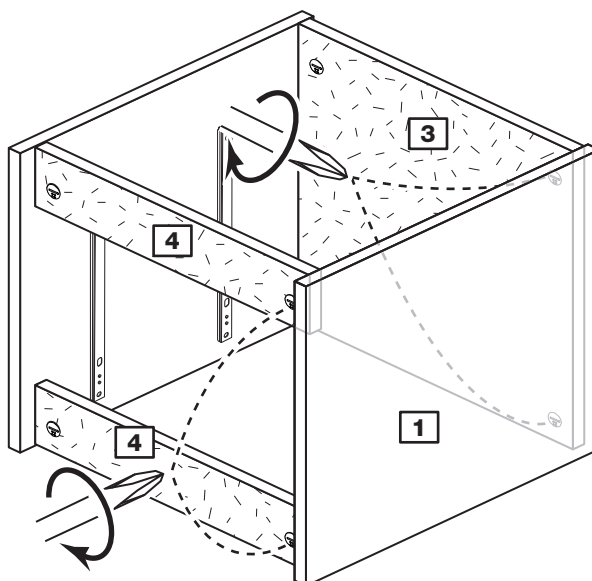
Note: Support this rail until the left side has been fitted in the next step.

Step 13

Fit the left side

Push the left side **1** onto the assembly.

Use a screwdriver to tighten the 4 large locking nuts **D** fitted to the top **3** and the 2 rails **4**.



Assembly Instructions

Step 14

Fit the back and plastic nails

a: Square up the unit by making sure that measurement **x to x** equals **y to y**.

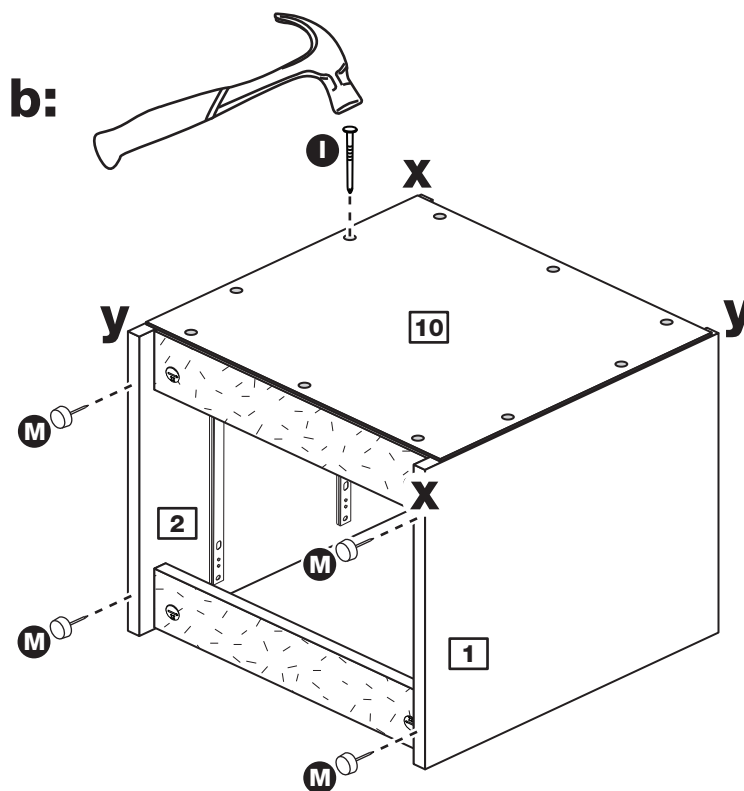
b: Place the back **10** onto the unit. Nail **1** around the outside edges of the back **10**.

Note: Nails should be spaced about 150mm apart.

Tap 2 plastic nails **M** into the bottom edge of each of the sides **1** and **2**.

Stand the unit up for the next step.

a: The measurement from top corner X to bottom corner X must be equal to the measurement from top corner Y to bottom corner Y



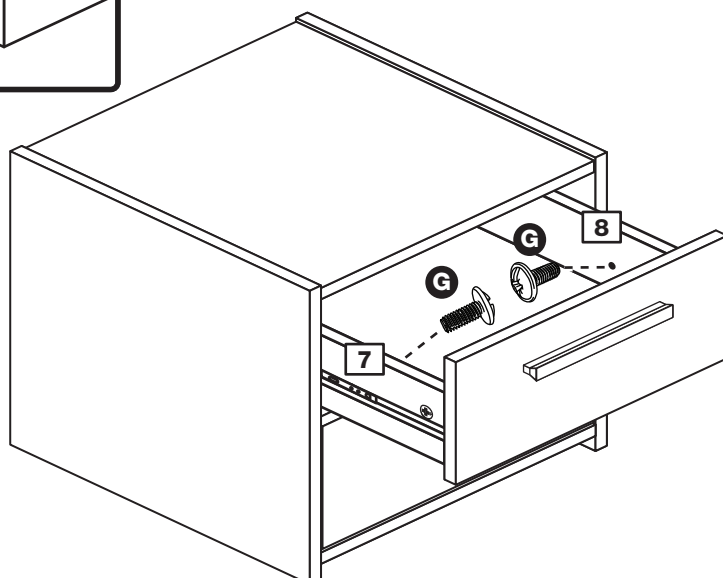
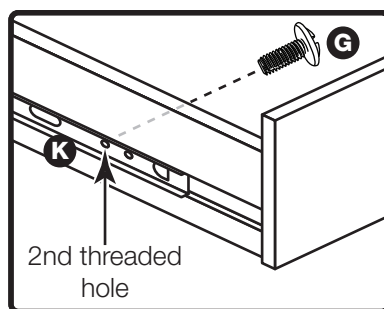
Step 15

Fit the drawers

Starting with the bottom drawer, slide both the runners **K** forward and locate the drawer sides **7** and **8** between them, lining up the holes in the drawer wrap with the 2nd 'threaded' holes in the runners **K**.

Working from the inside of the drawer, insert 2 screws **G** through the sides and out into the 2nd threaded hole in the runner.

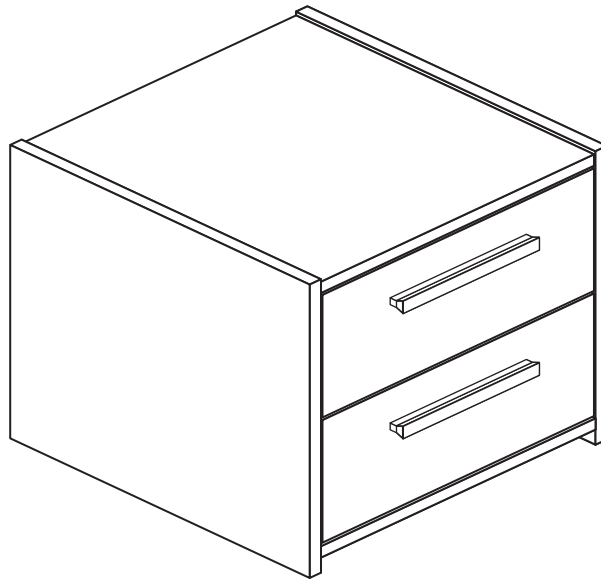
Note: Do not over-tighten the screws G. If they catch on the runner you may need to loosen them slightly.



Assembly Instructions

Step 16

Assembly is complete



If you need help or have damaged or missing parts, call the **Customer Helpline: 08456 400800** and quote the reference numbers on the component pages.

Argos Ltd, 489-499 Avebury Boulevard, Central Milton Keynes, MK9 2NW

New Sywell - 3 Drawer Chest

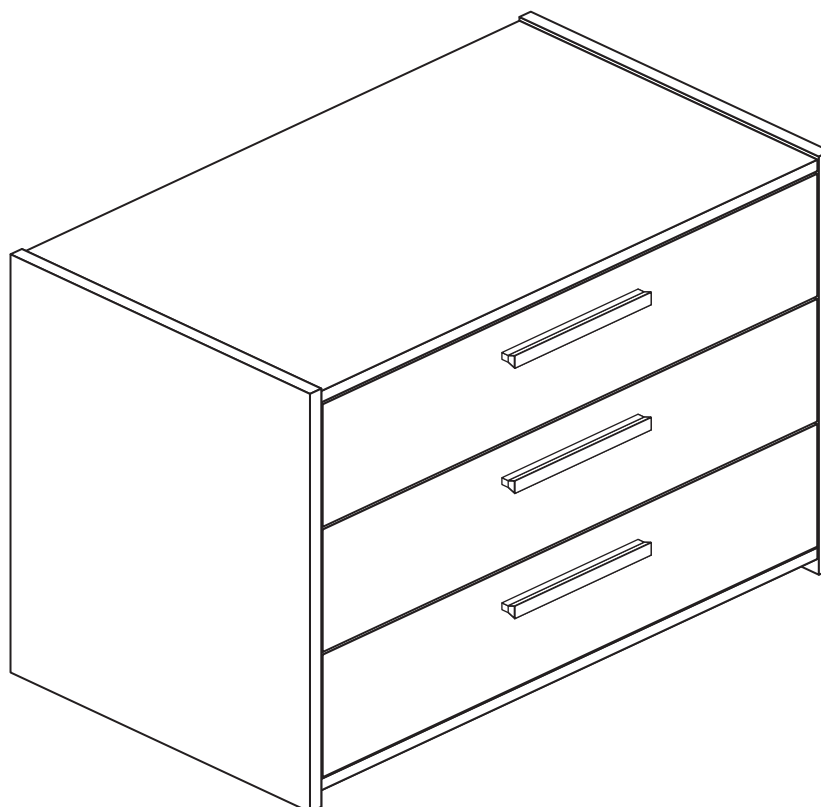
Assembly Instructions - Please keep for future reference

282/1500

248/5393

262/1614

281/3037



Dimensions

Width - 69cm

Depth - 40cm

Height - 55.5cm



**MADE IN
BRITAIN**

Important - Please read these instructions fully before starting assembly

If you need help or have damaged or missing parts, call the **Customer Helpline: 08456 400800**



Safety and Care Advice

Important - Please read these instructions fully before starting assembly

- **Warning:** This unit weighs approximately 19kgs. Please lift with care.

- Check you have all the components and tools listed on pages 2 and 3.

- Remove all fittings from the plastic bags and separate them into their groups.

- Keep children and animals away from the work area, small parts could choke if swallowed.

- Parts of the assembly will be easier with 2 people.

- Make sure you have enough space to layout the parts before starting.

- Do not stand or put weight on the product, this could cause damage.

- Assemble the item as close to its final position (in the same room) as possible.

- Assemble on a soft level surface to avoid damaging the unit or your floor (use opened out unit carton).



- We do not recommend the use of power drill/drivers **for inserting screws**, as this could damage the unit. Only use hand screwdrivers.

- **Safety note:** If there is any chance of this unit being pulled over by children etc. it is recommended that the unit is secured to a wall using suitable fixings (not supplied).

- Dispose of all packaging carefully and responsibly.

Care and maintenance

- Only clean using a damp cloth and mild detergent, do not use bleach or abrasive cleaners.

- From time to time check that there are no loose screws on this unit.

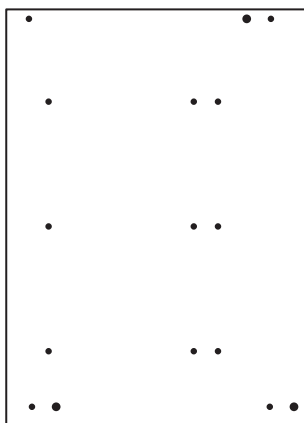
- This product should not be discarded with household waste. Take to your local authority waste disposal centre.

Note: If required the next page can be cut out and used as reference throughout the assembly. Keep this page with these instructions for future reference.

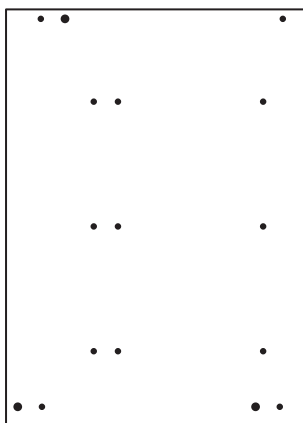
Components - Panels

If you have damaged or missing components, call the **Customer Helpline: 08456 400800** quoting the reference numbers below

Please check you have all the panels listed below



1 Left Side (D2547A)
(553 x 396mm)



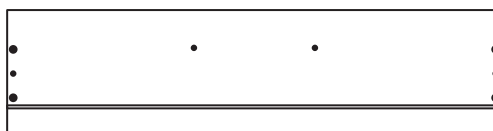
2 Right Side (D2548A)
(553 x 396mm)



3 Top (D2546A)
(658 x 394mm)



4 Rail (D2549A)
(658 x 78mm) x 2



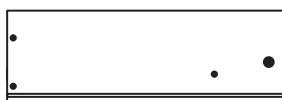
5 Drawer Front (D2550A)
(654 x 162mm) x 3



6 Drawer Back (W625-124)
(625 x 124mm) x 3



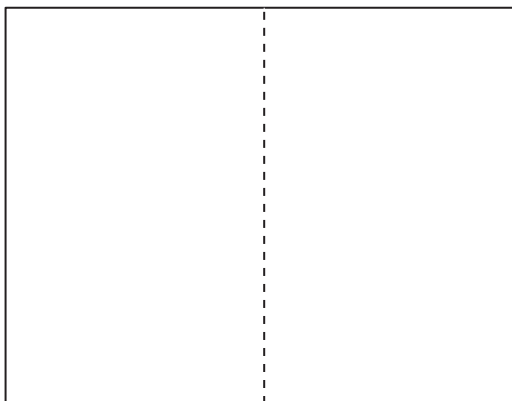
7 Left Drawer Side (W370-124LH)
(370 x 124mm) x 3



8 Right Drawer Side (W370-124RH)
(370 x 124mm) x 3



9 Drawer Base (T636-327)
(636 x 367mm) x 3



10 Back (X684-524)
(684 x 524mm)

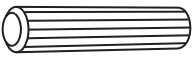
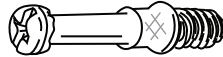




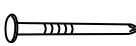
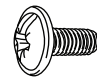

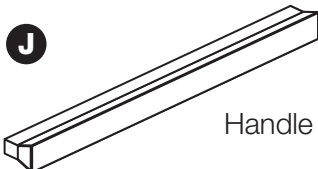





Components - Fittings

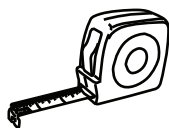
If you have damaged or missing components, call the **Customer Helpline: 08456 400800** quoting the reference numbers below

Please check you have all the fittings listed below

Note: The quantities below are the correct amount to complete the assembly. In some cases more fittings may be supplied than are required.

| | | |
|---|--|---|
| <p>A </p> <p>Wooden dowel (F22) x 6</p> | <p>B </p> <p>Metal dowel (F901) x 14</p> | <p>C </p> <p>Knock-in Peg (F171) x 12</p> |
| <p>D </p> <p>Large locking nut (F900) x 8</p> | <p>E </p> <p>Small locking nut (F3) x 6</p> | <p>F </p> <p>25mm Screw (F95) x 6</p> |
| <p>G </p> <p>Nail (F51) x 16</p> | <p>H </p> <p>9mm Screw (F74) x 6</p> | <p>I </p> <p>9mm Screw (F73) x 12</p> |
| <p>J </p> <p>Handle (F315) x 3</p> | <p>K </p> <p>Drawer runner (F1004) x 6</p> | |
| <p>L </p> <p>Wedgex (F639) x 12</p> | <p>M </p> <p>Plastic Nail (F91) x 4</p> | |

Tools required



Rule



Cross-head screwdriver



Scissors



Hammer

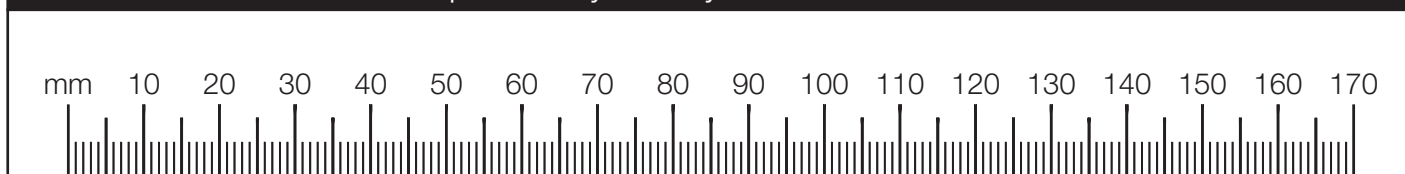


Eye protection (when using a hammer or drill)



Electric drill (do not use for fitting screws)

Ruler - Use this ruler to help correctly identify the screws



Assembly Instructions

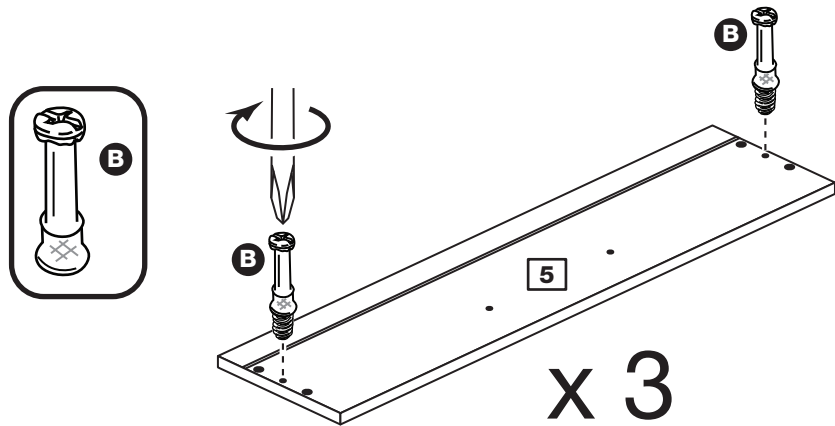
If you have damaged or missing components, call the
Customer Helpline: 08456 400800 quoting the reference
numbers below

Step 1

Prepare the drawer fronts

Screw 2 metal dowels **B** into the holes shown on the back of each drawer front **5**.

Note: Tighten the metal dowels up fully against the panels.

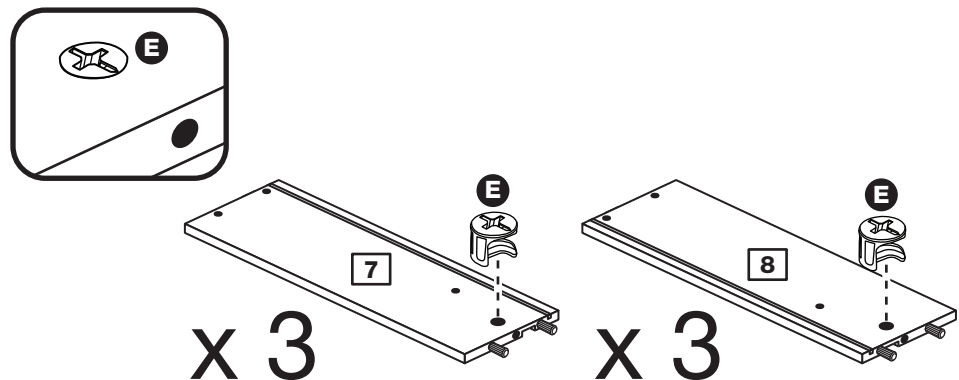


Step 2

Prepare the drawer sides

Insert a small locking nut **E** into the hole shown on the left drawer side **7** and right drawer side **8**.

Note: Arrow on locking nut **must** point towards hole in edge of panel.



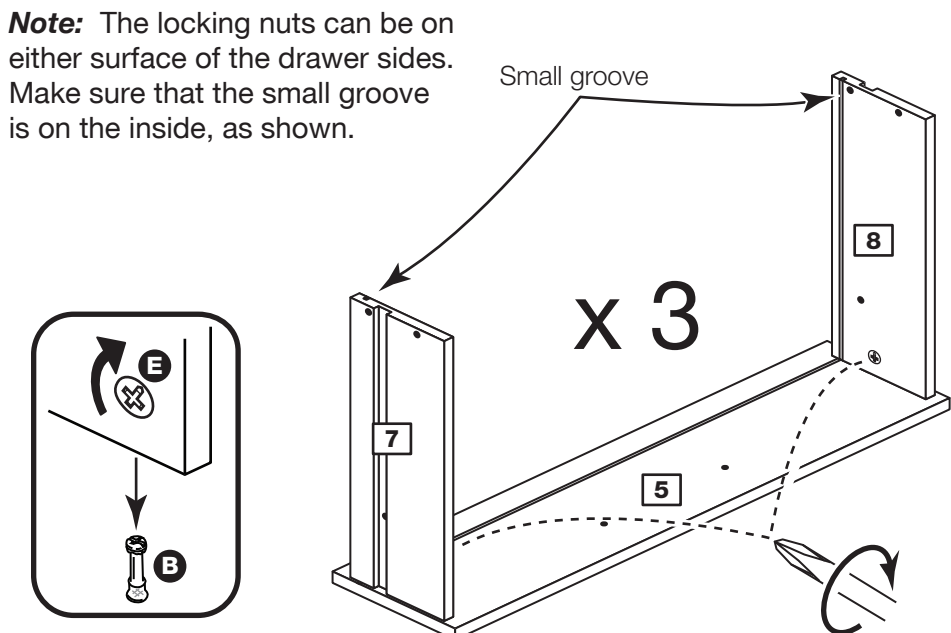
Step 3

Attach the drawer sides to the drawer front

Push the left drawer side **7** and right drawer side **8** onto the back of the drawer front **5**.

Turn the small locking nuts **E** on the left drawer side **7** and right drawer side **8**.

Note: Turn the locking nuts **E** clockwise to secure panels - more than 1/2 a turn.

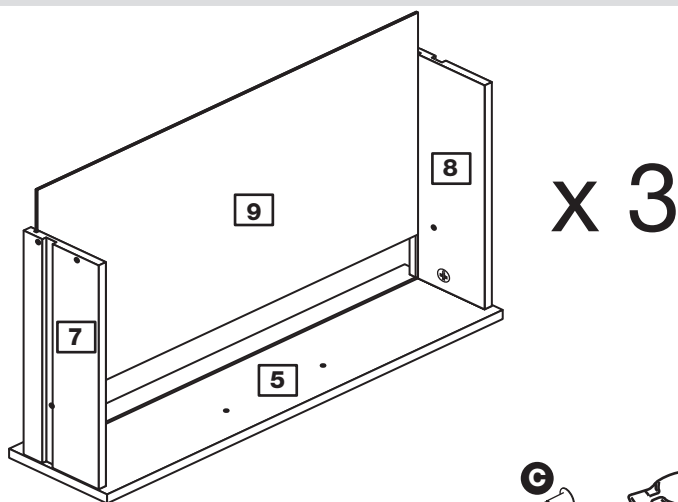


Assembly Instructions

Step 4

Fit the drawer base

Slide the drawer base **9** down the grooves in the drawer sides **7** and **8** and down into the groove in the drawer front **5**.



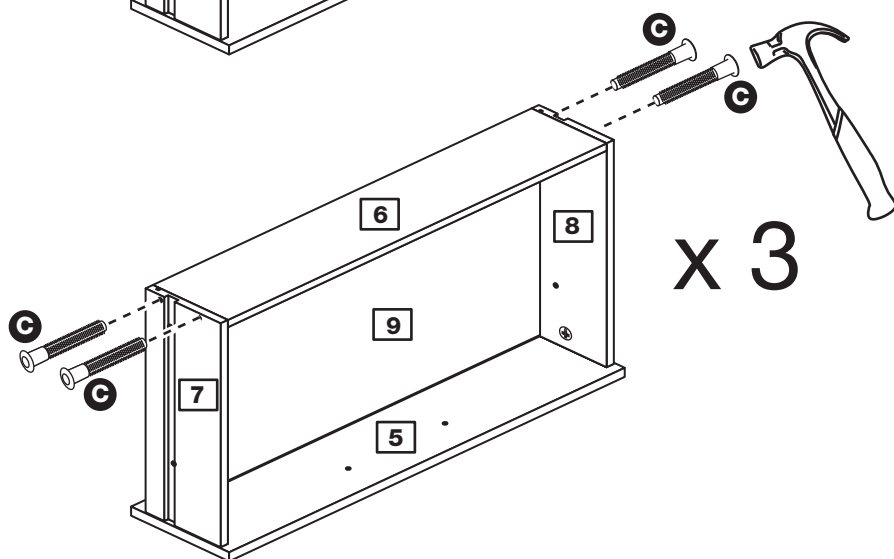
Step 5

Fit the drawer back

Fit the drawer back **6** down onto the drawer base **9**.

Make sure that the drawer base **9** fits into the groove in the drawer back **6**.

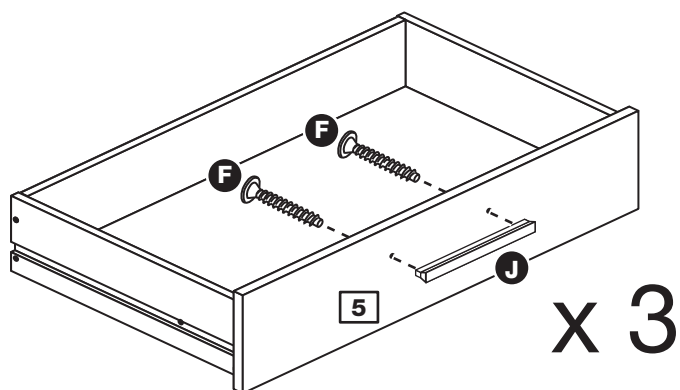
Hold the drawer back **6** in position and tap the knock-in pegs **C** through the holes in the drawer sides **7** and **8**.



Step 6

Attach the handles

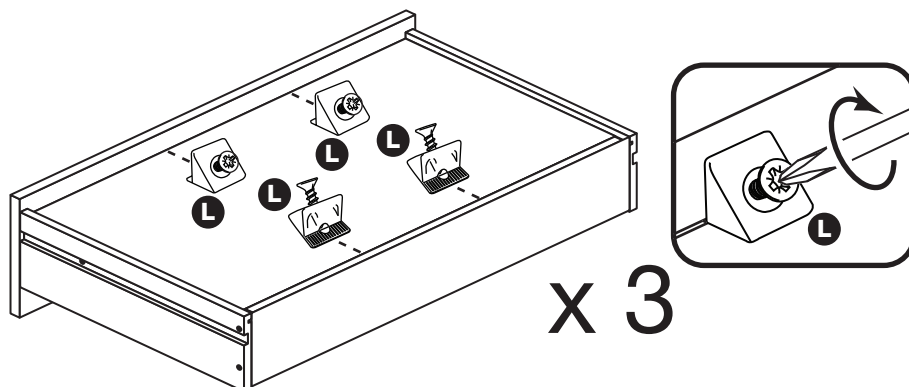
Attach a handle **J** to each drawer front **5** using 2 screws **F**.



Step 7

Fit the wedgifixes

Turn the drawer assemblies over and slide 4 wedgifixes **L** into the front and back grooves, as shown, and tighten up the screws.



Assembly Instructions

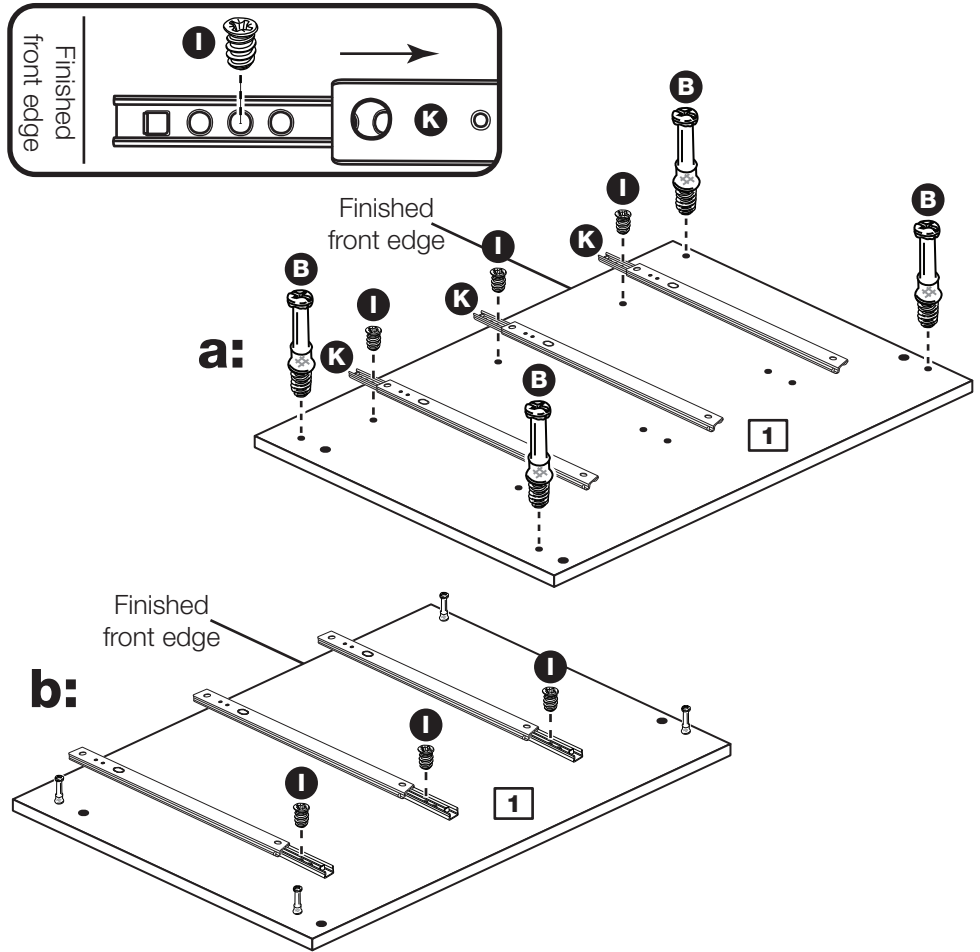
Step 8

Prepare the left side

a: Place 3 runners **K** on the left side **1**. Slide back the top of the runner and use the 2nd hole from the front to fit the 1st screw **I**.

Screw 4 metal dowels **B** into the left side **1**.

b: Slide the runner **K** back the other way and fit the 2nd screw **I** into the corresponding hole in the left side **1**.



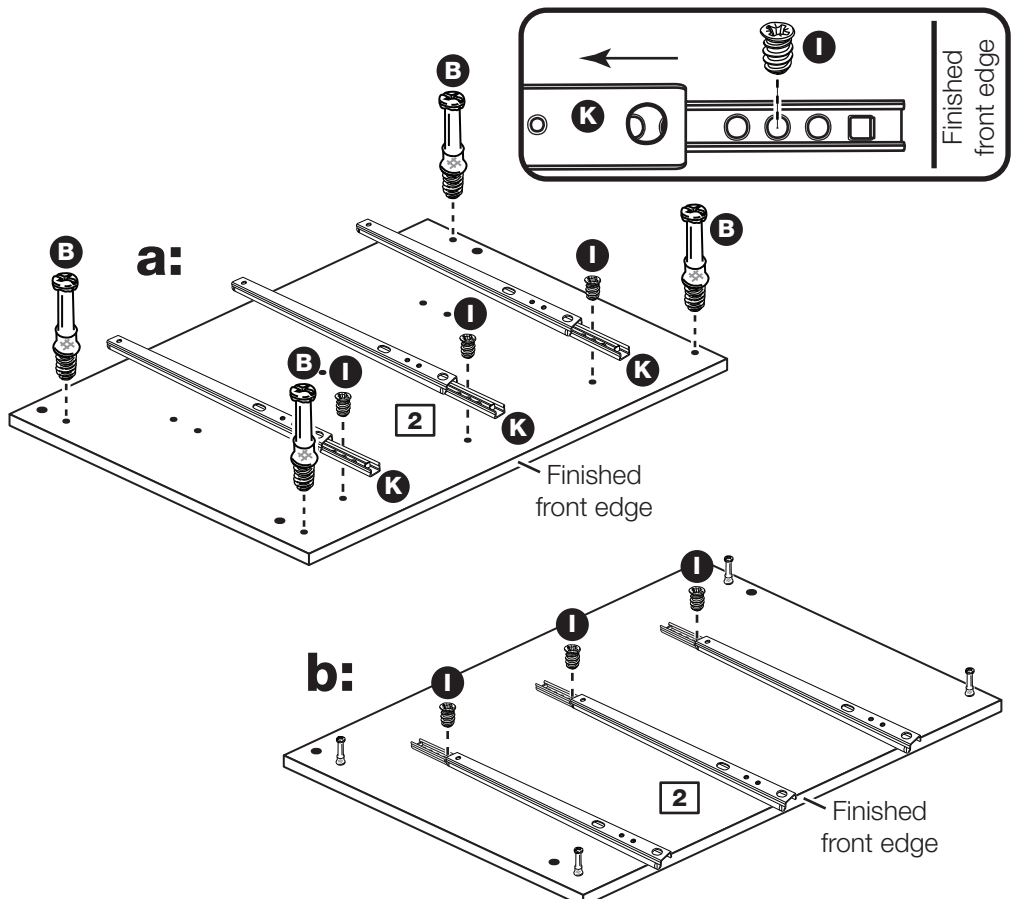
Step 9

Prepare the right side

a: Place 3 runners **K** on the right side **2**. Slide back the top of the runner and use the 2nd hole from the front to fit the 1st screw **I**.

Screw 4 metal dowels **B** into the right side **2**.

b: Slide the runner **K** back the other way and fit the 2nd screw **I** into the corresponding hole in the right side **2**.



Assembly Instructions

Step 10

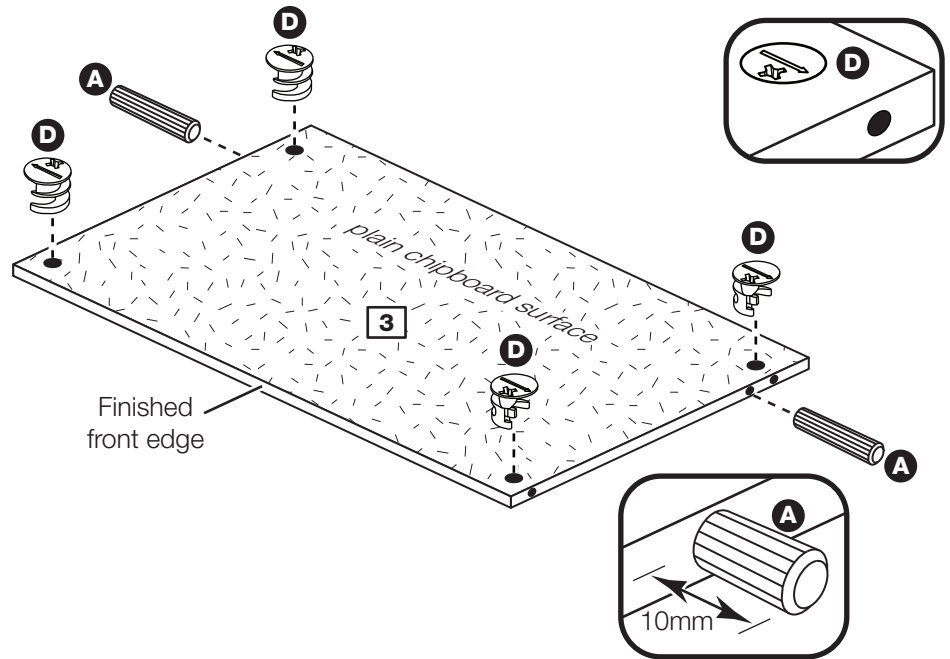
Prepare the top

Tap 2 wooden dowels **A** into the top **3**.

Note: Wooden dowels **must not** stick out from the edge by more than 10mm or they may damage other panels.

Insert 4 large locking nuts **D** into the top **3**.

Note: The arrow on the locking nut **must** point towards the hole in the edge of the panel.



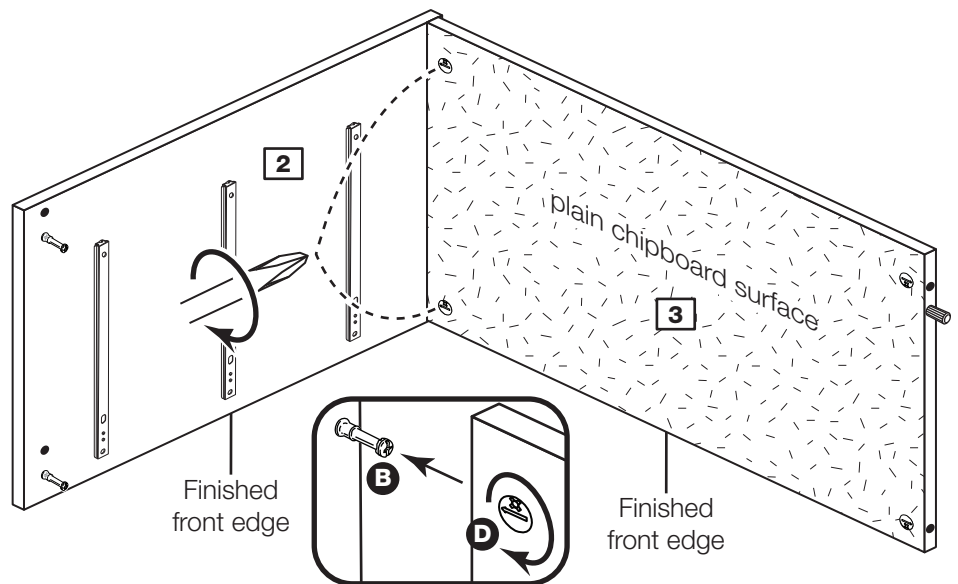
Step 11

Fit the top to the right side

Push the top **3** onto the right side **2**.

Use a screwdriver to tighten the 2 large locking nuts **D** fitted to the top **3**.

Note: Turn the large locking nuts **D** as far as they will go - more than 1/2 a turn.

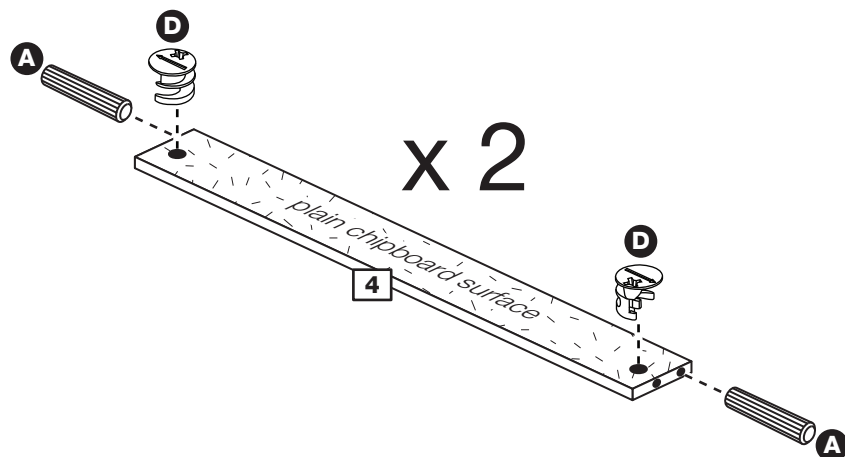


Step 12

Prepare the 2 rails

Tap 2 wooden dowels **A** into each of the 2 rails **4**.

Insert 2 large locking nuts **D** into each of the 2 rails **4**.



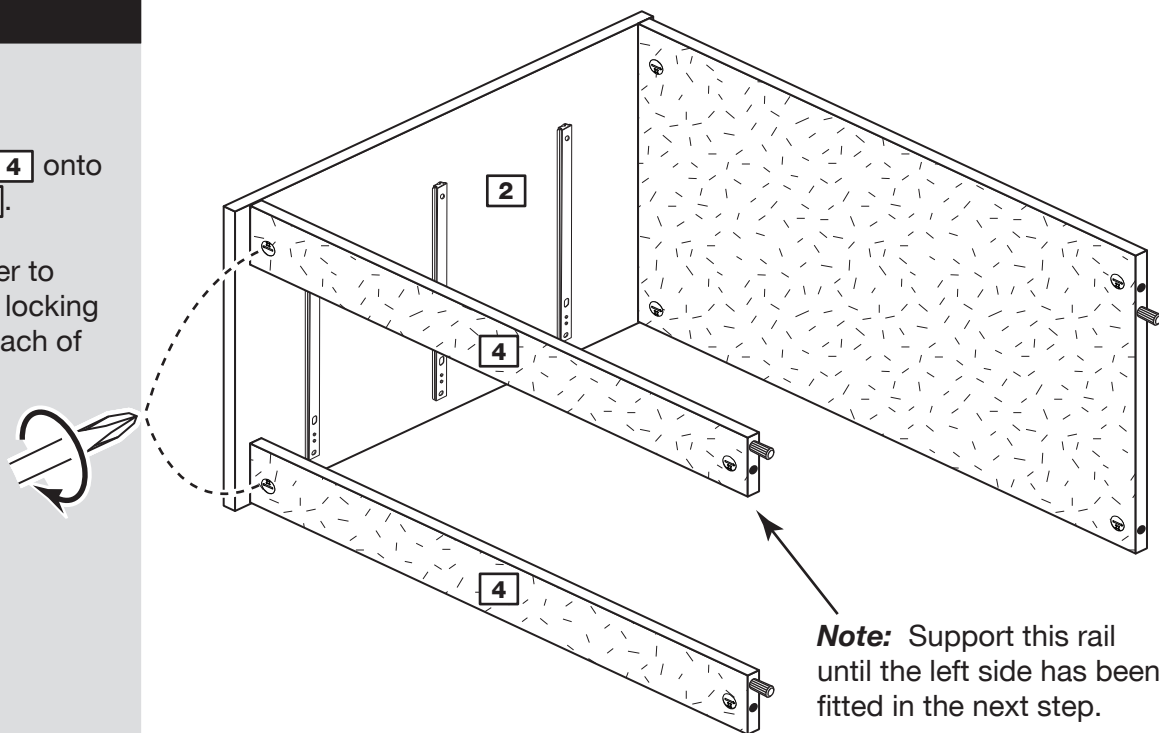
Assembly Instructions

Step 13

Fit the 2 rails

Push the 2 rails **4** onto the right side **2**.

Use a screwdriver to tighten the large locking nut **D** fitted to each of the 2 rails **4**.

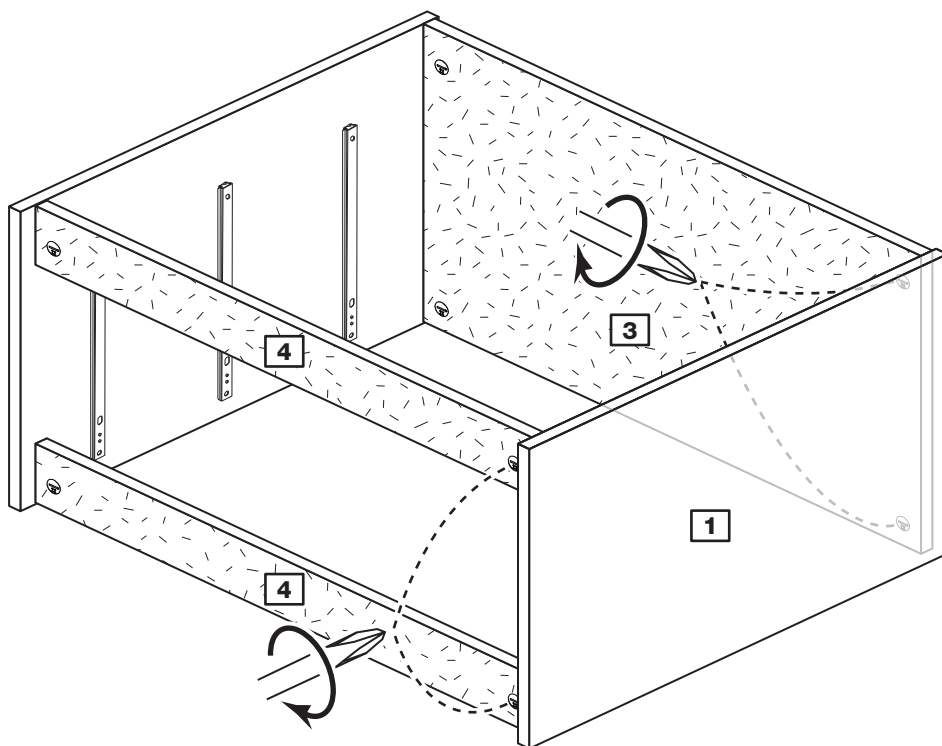


Step 14

Fit the left side

Push the left side **1** onto the assembly.

Use a screwdriver to tighten the 4 large locking nuts **D** fitted to the top **3** and the 2 rails **4**.



Assembly Instructions

Step 15

Fit the back and plastic nails

a: Square up the unit by making sure that measurement **x to x** equals **y to y**.

b: Place the back **10** onto the unit.

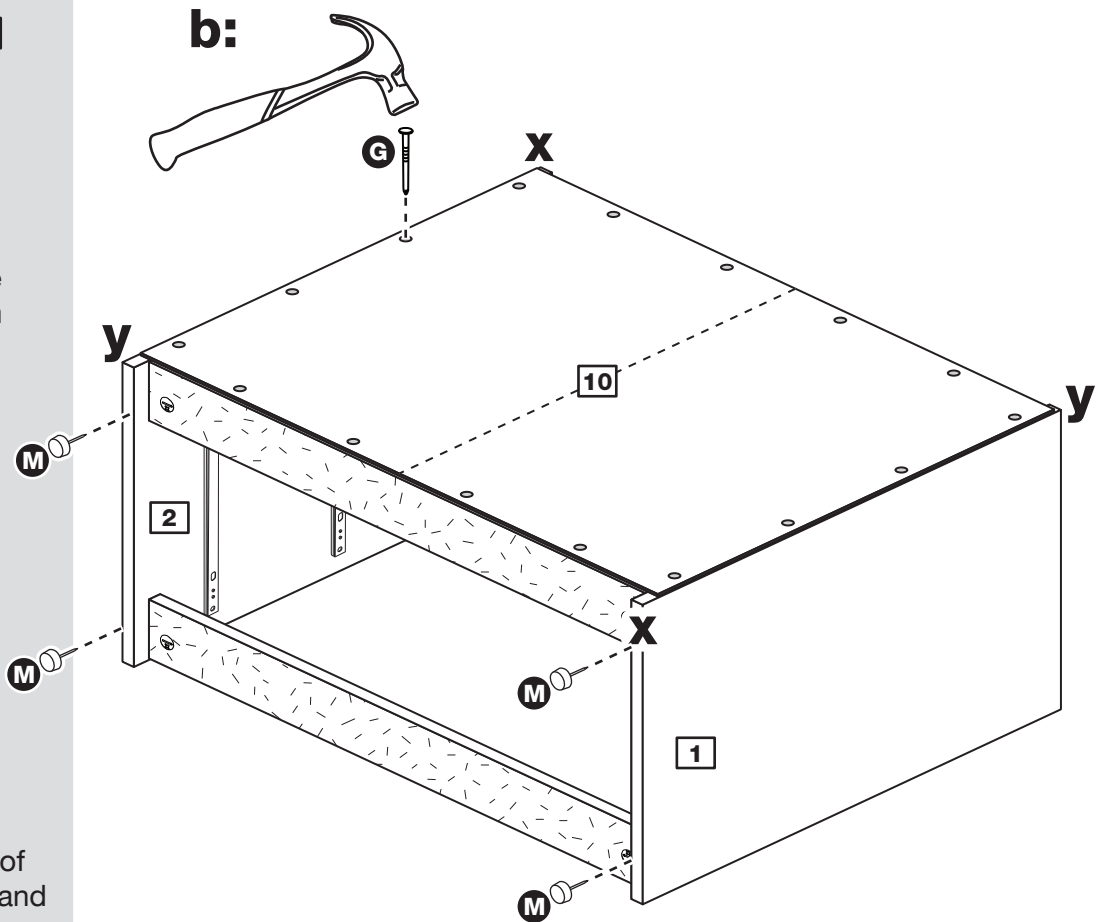
Nail **G** around the outside edges of the back **10**.

Note: Nails should be spaced about 150mm apart.

Tap 2 plastic nails **M** into the bottom edge of each of the sides **1** and **2**.

Stand the unit up for the next step.

a: The measurement from top corner X to bottom corner X must be equal to the measurement from top corner Y to bottom corner Y



Assembly Instructions

Step 16

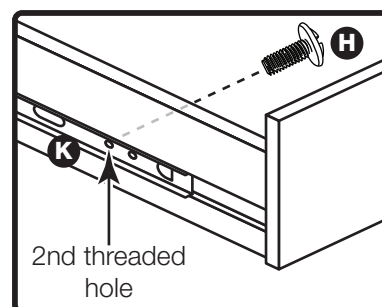
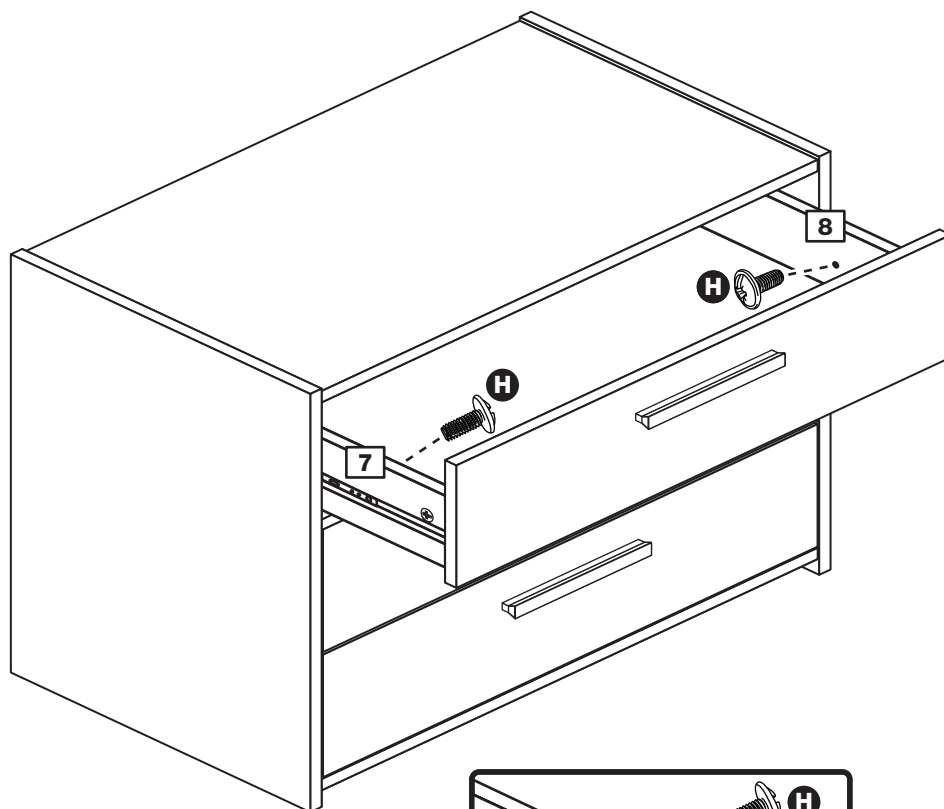
Fit the drawers

Starting with the bottom drawer, slide both the runners **K** forward and locate the drawer sides **7** and **8** between them, lining up the holes in the drawer wrap with the 2nd 'threaded' holes in the runners **K**.

Working from the inside of the drawer, insert 2 screws **H** through the sides and out into the 2nd threaded hole in the runner.

Note: Do not over-tighten the screws **H. If they catch on the runner you may need to loosen them slightly.**

Assembly is complete



If you need help or have damaged or missing parts, call the Customer Helpline: 08456 400800 and quote the reference numbers on the component pages.

Argos Ltd, 489-499 Avebury Boulevard, Central Milton Keynes, MK9 2NW

