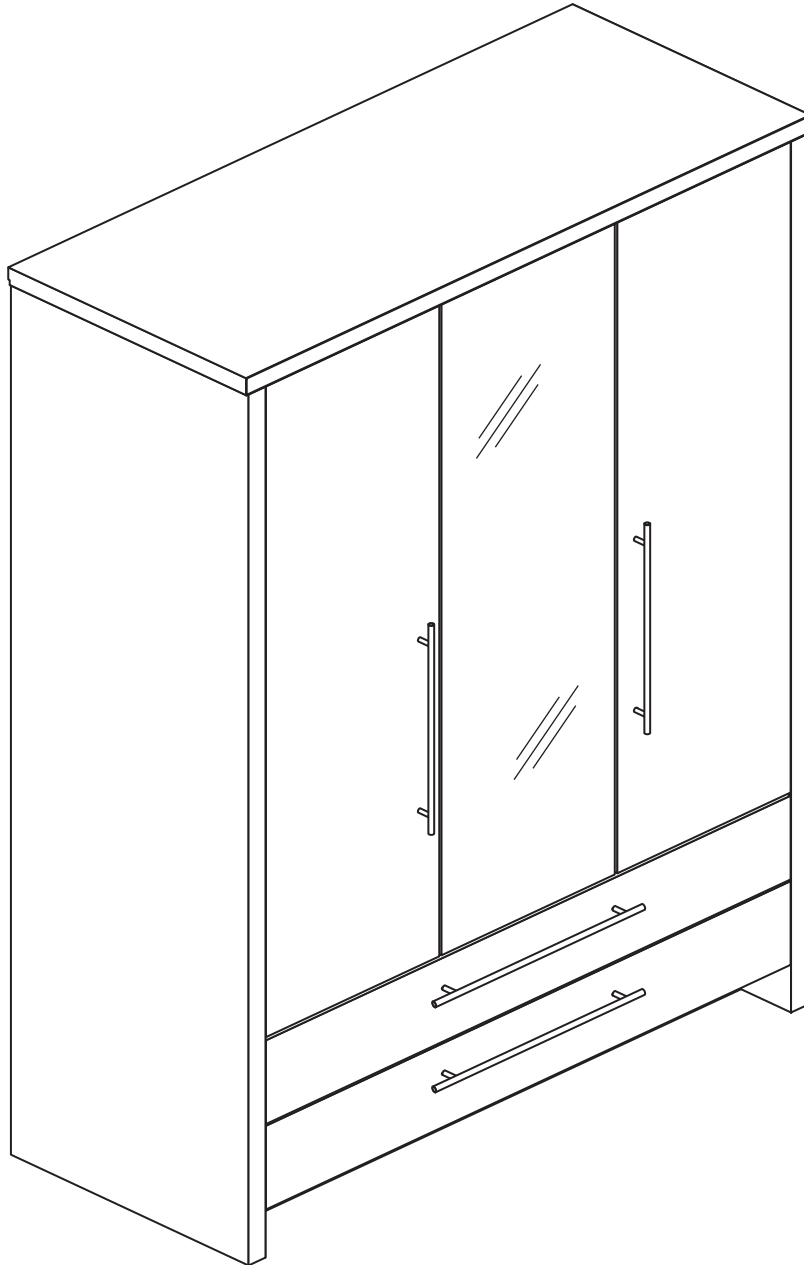


Camden - 2 Drawer 3 Door Mirror Robe

Assembly Instructions - Please keep for future reference

259/3773

274/8944



Dimensions

Width - 116.5cm

Depth - 49.5cm

Height - 183.5cm



**MADE IN
BRITAIN**

Important - Please read these instructions fully before starting assembly

If you need help or have damaged or missing parts, call the **Customer Helpline: 08456 400800**



Safety and Care Advice

Important - Please read these instructions fully before starting assembly

- **Warning:** This unit weighs approximately 71kgs. Please lift with care.
- Check you have all the components and tools listed on pages 1, 2 and 3.
- Remove all fittings from the plastic bags and separate them into their groups.
- Keep children and animals away from the work area, small parts could choke if swallowed.
- Parts of the assembly will be easier with 2 people.

- Make sure you have enough space to layout the parts before starting.
- Do not stand or put weight on the product, this could cause damage.
- Assemble the item as close to its final position (in the same room) as possible.
- Assemble on a soft level surface to avoid damaging the unit or your floor (use opened out unit carton).



- We do not recommend the use of power drill/drivers **for inserting screws**, as this could damage the unit. Only use hand screwdrivers.

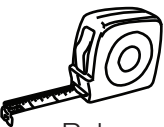


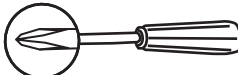

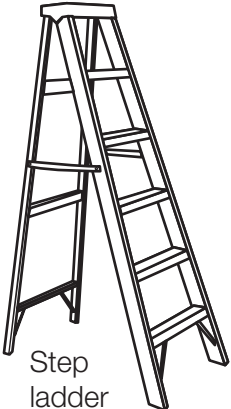



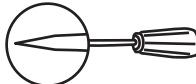
- **Safety note:** It is recommended that this unit is secured to a wall using the bracket supplied.

- Dispose of all packaging carefully and responsibly.

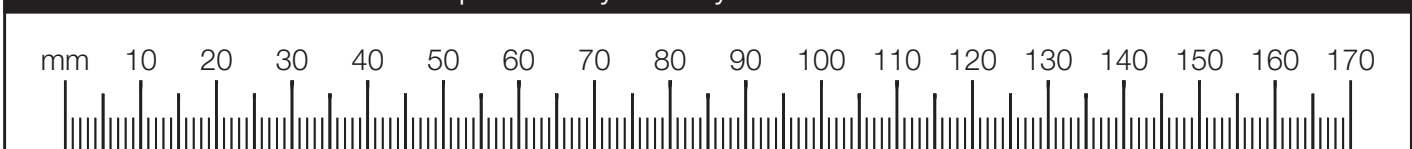
Care and maintenance

- Only clean using a damp cloth and mild detergent, do not use bleach or abrasive cleaners.
- From time to time check that there are no loose screws on this unit.
- This product should not be discarded with household waste. Take to your local authority waste disposal centre.

Tools required

 Rule	 Spirit level	 Eye protection (when using a hammer or drill)	 Cross-head screwdriver	 Electric drill (only use when drilling into walls)	 Step ladder
 Square	 Scissors	 Hammer	 Bradawl		

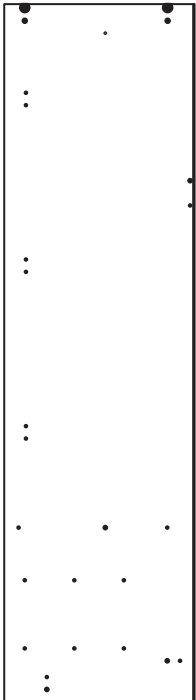
Ruler - Use this ruler to help correctly identify the screws



Components - Panels

If you have damaged or missing components, call the
Customer Helpline: 08456 400800 quoting the reference
 numbers below

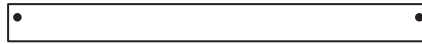
Please check you have all the panels listed below



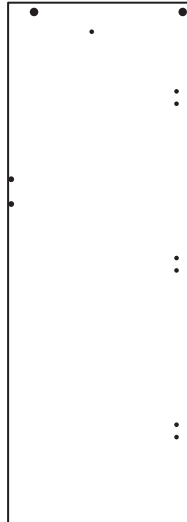
1 Left Side (D2019A)
(1800 x 491mm)



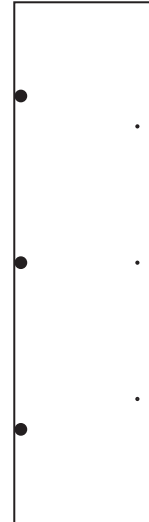
2 Right Side (D2015A)
(1800 x 491mm)



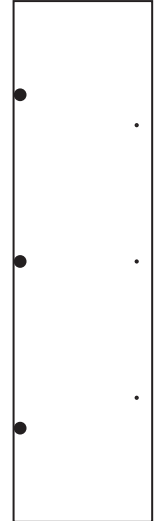
3 Plinth (D2012A)
(1090 x 96mm) x 2



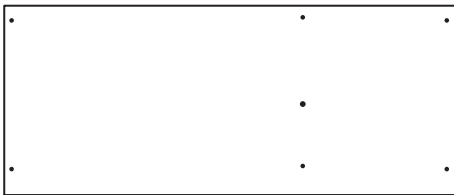
4 Upright (D2016A)
(1344 x 472mm)



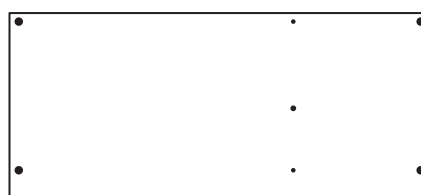
5 Plain Door (D2018A)
(1345 x 358mm) x 2



6 Mirror Door (D2018MA)
(1345 x 358mm)
(Mirror - SG06
1344 x 358mm
Safety Back SAR)



7 Top (D2009A)
(1166 x 492mm)



8 Horizontal (D2010A)
(1090 x 473mm)



9 Hanging Rail (FHR343)
(343mm long)



10 Hanging Rail (FHR715)
(715mm long)



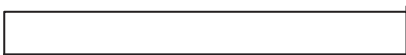
11 Drawer Front (D2017A)
(1084 x 173mm) x 2



13 Left Drawer Side (W350-124LH)
(350 x 124mm) x 2



14 Right Drawer Side (W350-124RH)
(350 x 124mm) x 2



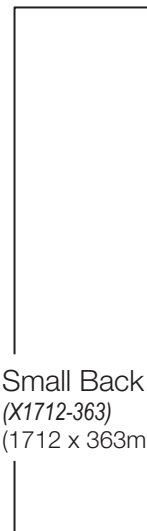
12 Drawer Back (W1039-124)
(1039 x 124mm) x 2



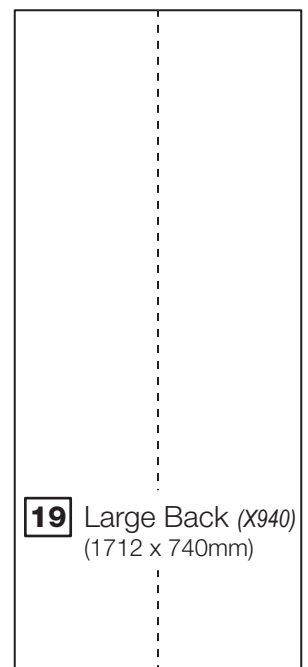
16 Small Back Rail (D2013A)
(349.5 x 130mm)



17 Large Back Rail (D2014A)
(725.5 x 130mm)



18 Small Back (X1712-363)
(1712 x 363mm)



19 Large Back (X940)
(1712 x 740mm)



15 Drawer Base (T1050-357)
(1050 x 357mm) x 2


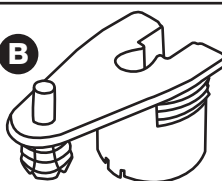

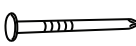
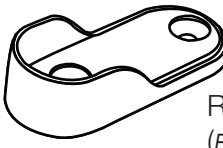

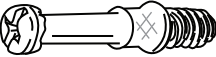



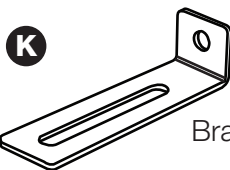
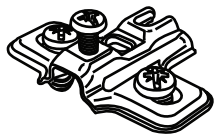



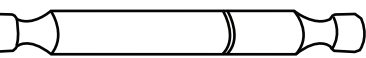

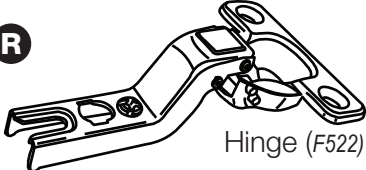
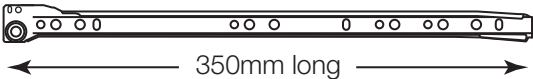

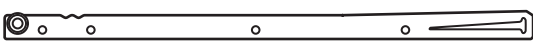
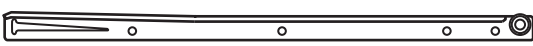

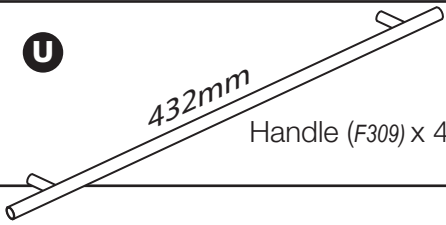

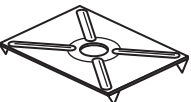


Components - Fittings

If you have damaged or missing components, call the **Customer Helpline: 08456 400800** quoting the reference numbers below

Please check you have all the fittings listed below

Note: The quantities below are the correct amount to complete the assembly. In some cases more fittings may be supplied than are required.

<p>A </p> <p>Wooden dowel (F22) x 12</p>	<p>B </p> <p>Hollow core locking nut (F892) x 4</p>	<p>C </p> <p>Small metal dowel (F893) x 4</p>
<p>D </p> <p>Nail (F51) x 38</p>	<p>E </p> <p>Rail Holder (F891) x 4</p>	<p>F </p> <p>13mm Screw (F63) x 38</p>
<p>G </p> <p>Metal dowel (F901) x 16</p>	<p>H </p> <p>Large locking nut (F900) x 14</p>	<p>I </p> <p>Small locking nut (F3) x 4</p>
<p>J </p> <p>13mm Screw (F79) x 1</p>	<p>K </p> <p>Bracket (F327) x 1</p>	<p>L </p> <p>Hinge plate (F523) x 9</p>
<p>M </p> <p>Knock-in Peg (F171) x 8</p>	<p>N </p> <p>13mm Screw (F52) x 12</p>	<p>O </p> <p>19mm Screw (F461) x 8</p>
<p>P </p> <p>Double metal dowel (F566) x 1</p>	<p>Q </p> <p>40mm Screw (F910) x 2</p>	<p>R </p> <p>Hinge (F522) x 9</p>
<p>S a  L Runner (F159) x 1 ← 350mm long →</p> <p>S b  R Runner (F160) x 1</p> <p>S c  L Runner (F161) x 1</p> <p>S d  R Runner (F162) x 1</p>		<p>T </p> <p>Wedgefix (F639) x 8</p> <p>U </p> <p>432mm Handle (F309) x 4</p>
<p>W </p> <p>Nail screw (F277) x 6</p>	<p>X  *These can also be round</p> <p>Back holder (F276) x 6</p>	

Assembly Instructions

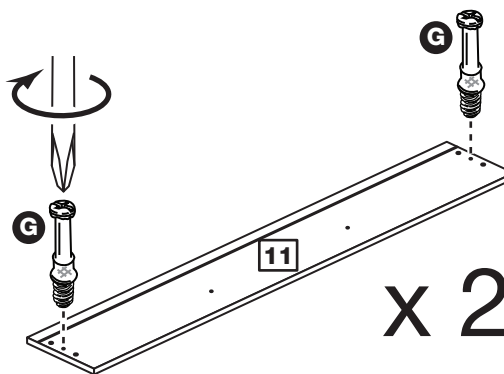
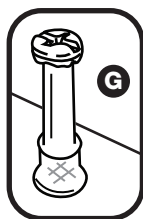
If you have damaged or missing components, call the
Customer Helpline: 08456 400800 quoting the reference
numbers below

Step 1

Prepare the 2 drawer fronts

Screw 2 metal dowels **G** into the holes shown on the back of each drawer front **11**.

Note: Tighten metal dowels up fully against the panels.

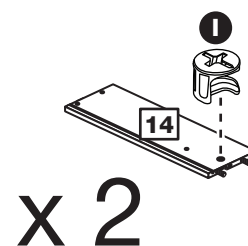
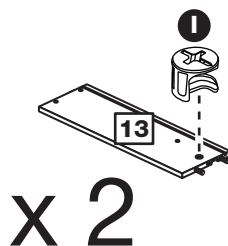
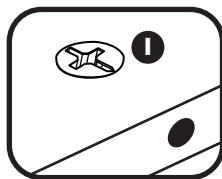


Step 2

Prepare drawer sides and drawer backs

Insert a small locking nut **I** into the hole shown on the left drawer side **13** and right drawer side **14**.

Note: The arrow on the locking nut **must** point towards the hole in the edge of the panel.



Note: Due to the manufacturing process, the holes for the locking nut can be on either surface of the drawer sides.

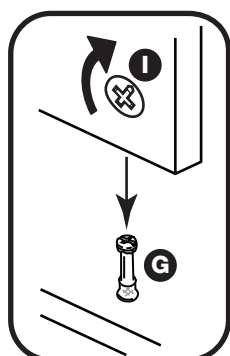
Step 3

Attach the drawer sides to the drawer front

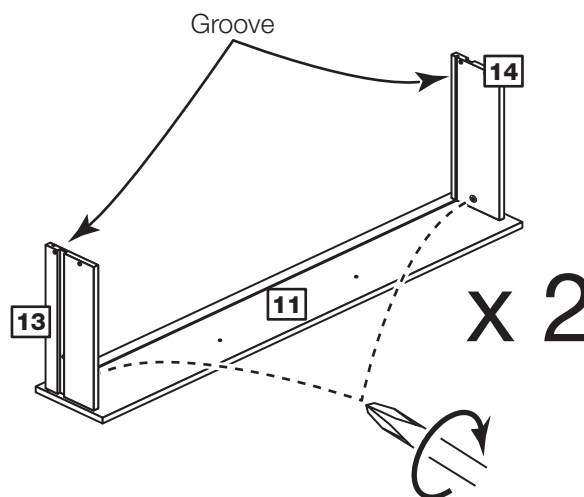
Push the left drawer side **13** and right drawer side **14** onto the back of the drawer front **11**.

Turn the small locking nuts **I** on the left drawer side **13** and right drawer side **14**.

Note: Turn the locking nuts **I** clockwise to secure panels - more than 1/2 a turn.



Note: The locking nuts can be on either surface of the drawer sides. Make sure that the small groove is on the inside, as shown.

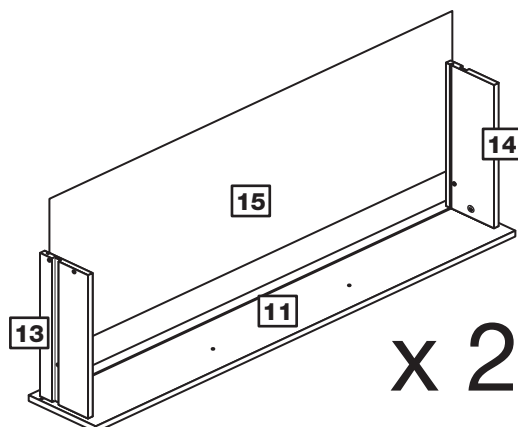


Assembly Instructions

Step 4

Fit the drawer base

Slide the drawer base **15** down the grooves in the drawer sides **13** and **14** and down into the groove in the drawer front **11**.



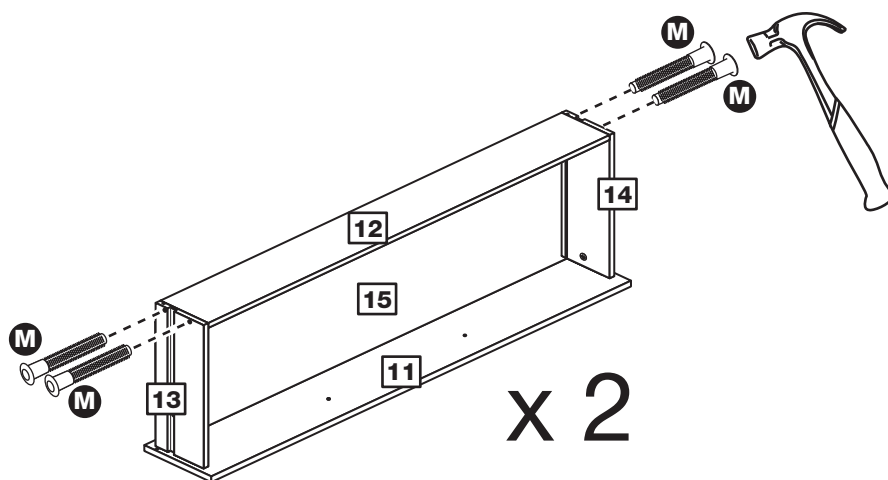
Step 5

Fit the drawer back

Fit the drawer back **12** between the drawer sides **13** and **14**.

Make sure that the drawer base **15** fits into the groove in the drawer back **12**.

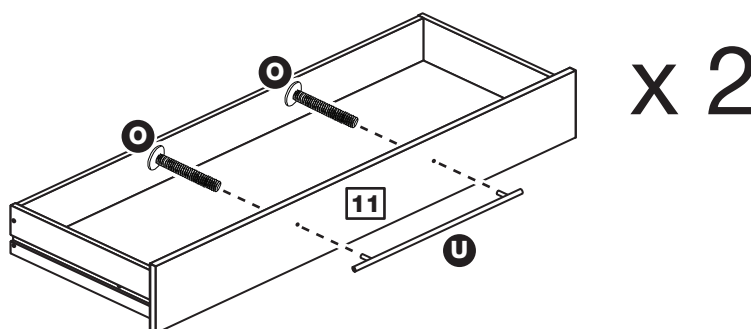
Hold the drawer back **12** in position and tap the knock-in pegs **M** through the holes in the drawer sides **13** and **14**.



Step 6

Attach the handles

Attach a handle **U** to each drawer front **11** using 2 screws **O**.

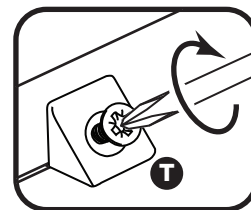
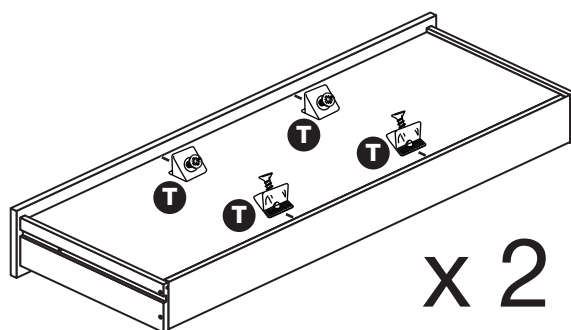


Assembly Instructions

Step 7

Fit the wedgexes

Turn the 2 drawer assemblies over and slide 4 wedgexes **T** into the front and back grooves, as shown, and tighten up the screws.



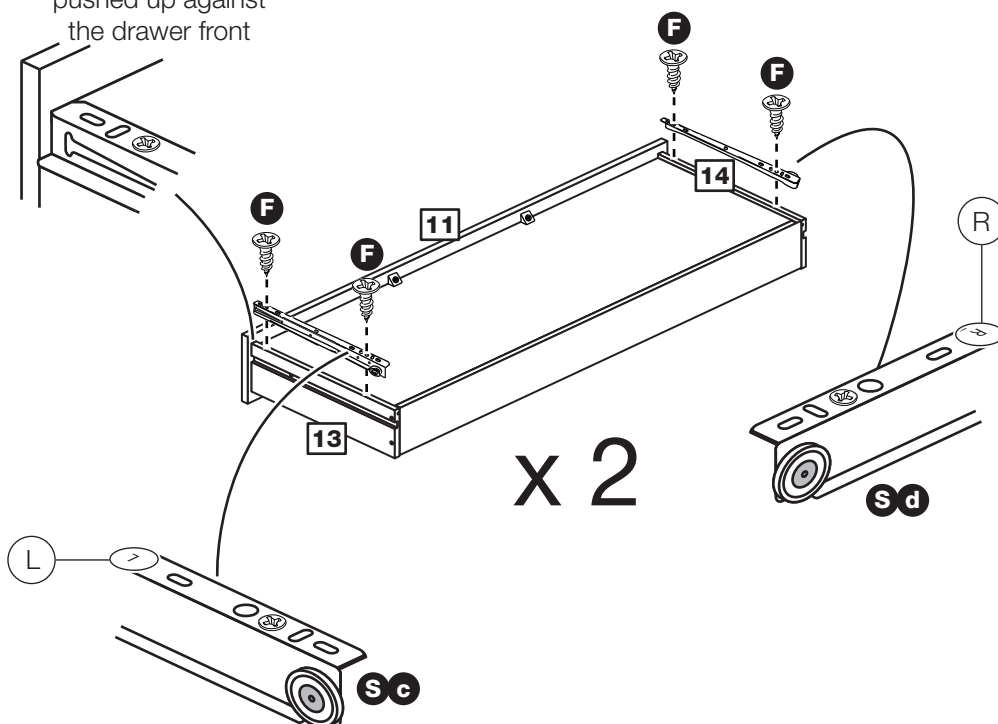
Step 8

Fit the runners to the drawers

Fit the runner **S_c** to the bottom edge of the left drawer side **13**, as shown, making sure that it is pushed up against the back of the drawer front **11**. Use a bradawl to mark the fixing positions, then secure with 2 screws **F**.

Fit the runner **S_d** to the bottom edge of the right drawer side **14** using the same method.

Runners must be pushed up against the drawer front



Assembly Instructions

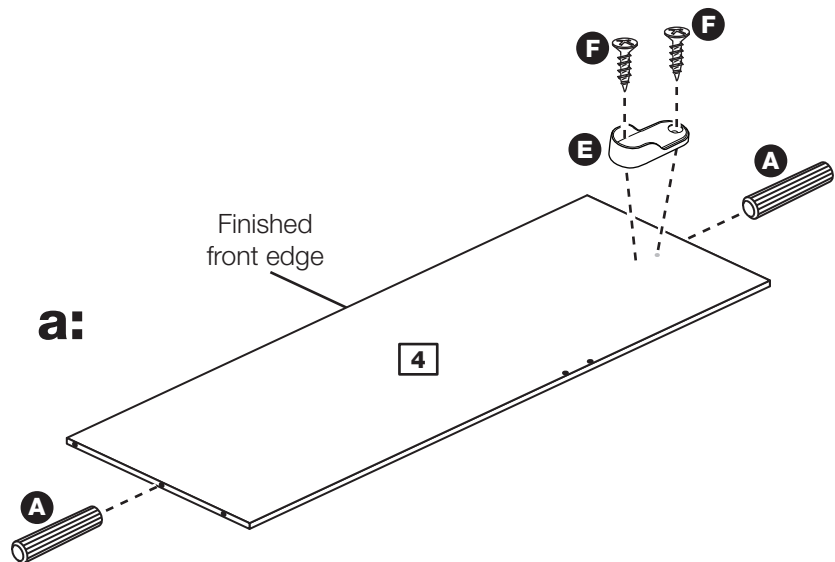
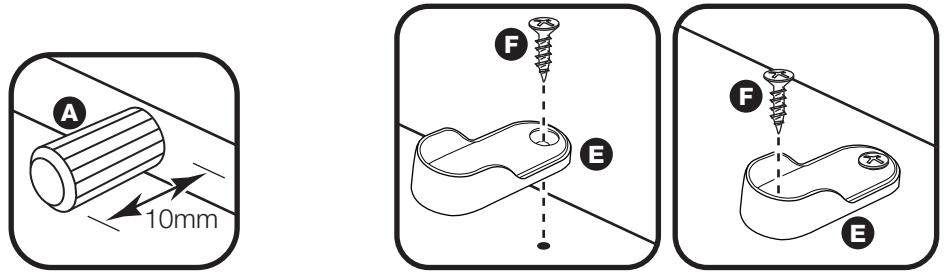
Step 9

Prepare the upright

a: Tap 2 wooden dowels **A** into the ends of the upright **4**.

Note: Wooden dowels **must not** stick out from the edge by more than 10mm or they may damage other panels.

To fit the rail holder **E**, screw through the top hole with screw **F** and into the mark hole drilled in the upright **4**. Make sure that it is fitted straight, in line with the panel edges and then fit another screw **F** using the lower hole.



Turn upright panel over

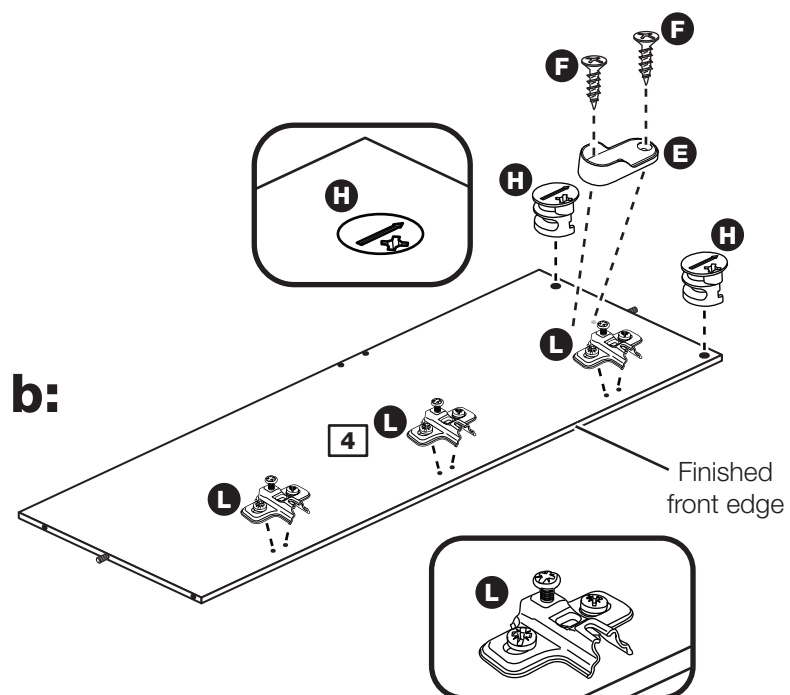
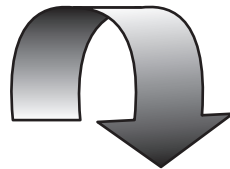
b: Fit 3 hinge plates **L** onto the upright **4**, making sure that the slot is facing towards the finished front edge.

To fit the rail holder **E**, screw through the top hole with screw **F** and into the mark hole drilled in the upright **4**. Make sure that it is fitted straight, in line with the panel edges and then fit another screw **F** using the lower hole.

Insert 2 large locking nuts **H** into the upright.

Note: The arrow on the locking nut **must** point towards the hole in the edge of the panel.

Turn the upright over



Assembly Instructions

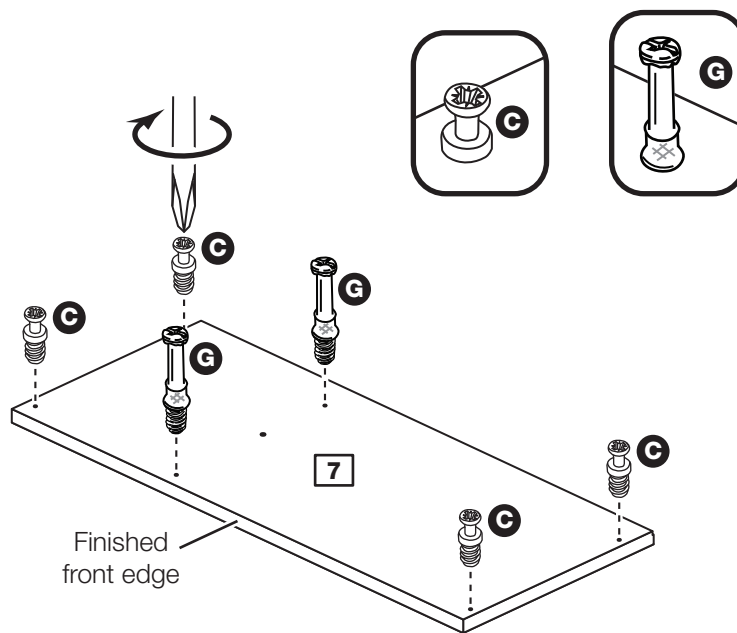
Step 10

Prepare the top

Screw 4 small metal dowels **C** into the holes on the top **7**.

Screw 2 metal dowels **G** into the holes on the top **7**.

Note: Tighten metal dowels up fully against the panels.

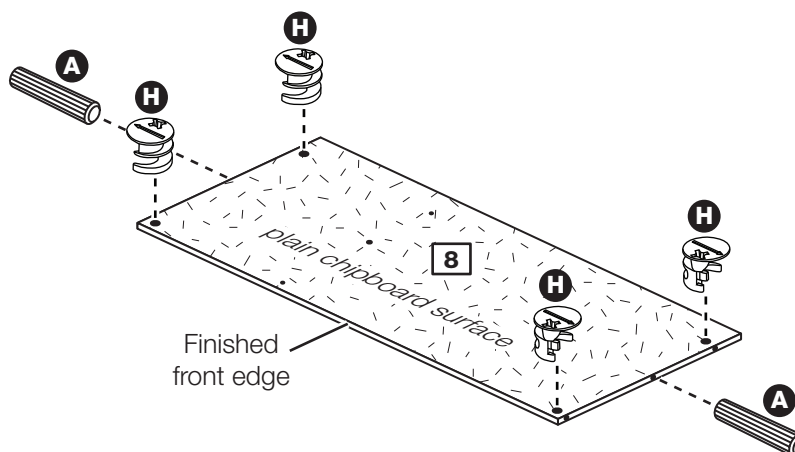


Step 11

Prepare the horizontal

Insert 4 large locking nuts **H** into the horizontal **8**.

Tap 2 wooden dowels **A** into the horizontal **8**.



Assembly Instructions

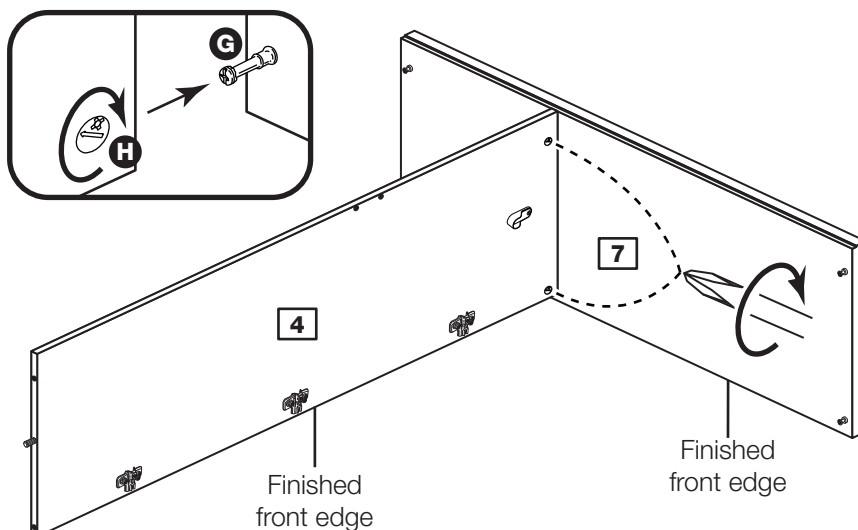
Step 12

Fit the upright to the top

Push the top **7** onto the upright **4**.

Use a screwdriver to tighten the 2 large locking nuts **H** fitted to the upright **4**.

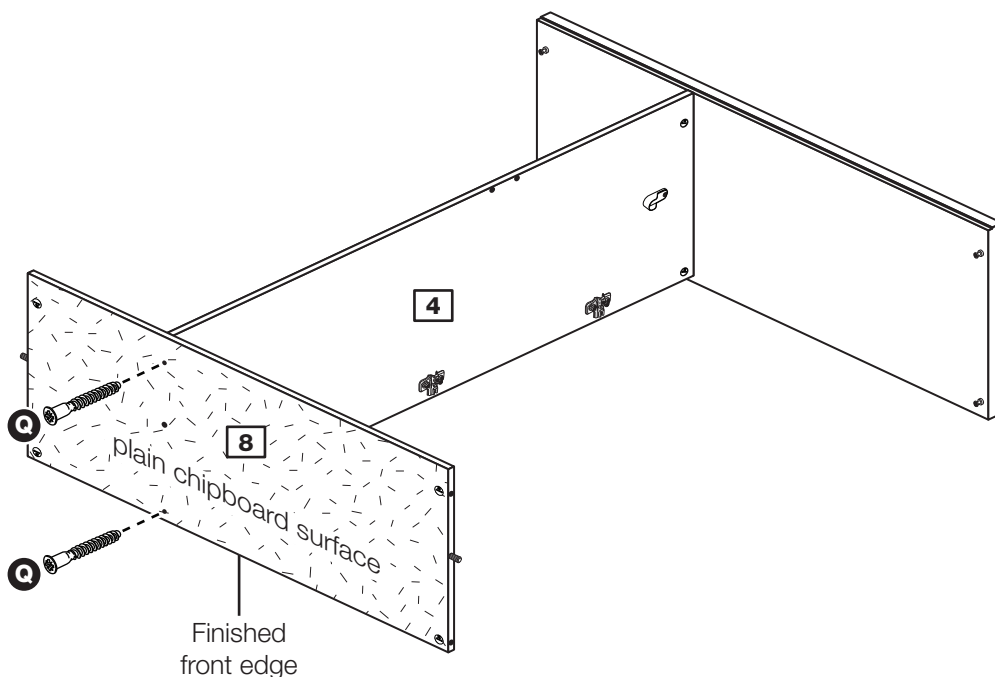
Note: Turn the large locking nuts **H** as far as they will go - more than 1/2 a turn.



Step 13

Fit the horizontal to the upright

Push the horizontal **8** onto the upright **4** and secure using 2 screws **Q**.

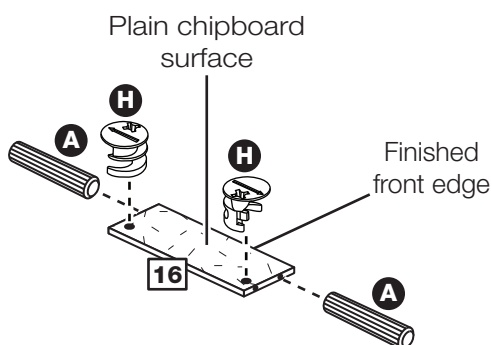


Step 14

Prepare the small back rail

Insert 2 large locking nuts **H** into the small back rail **16**.

Tap 2 wooden dowels **A** into the small back rail **16**.



Assembly Instructions

Step 15

Prepare the right side

a: Fit the 2 runners **S b** to the right side **2**.

The 1st screw **N** uses the 2nd hole in from the front of the runner **S b**.

The 2nd and 3rd screw **N** use the holes that line up with the other panel holes.

Fit a rail holder **E** to the right side **2** using 2 screws **F**.

b: Fit a screw **F** into the 2nd hole at the top of the runners **S b**.

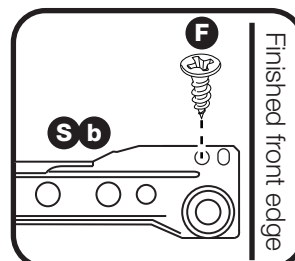
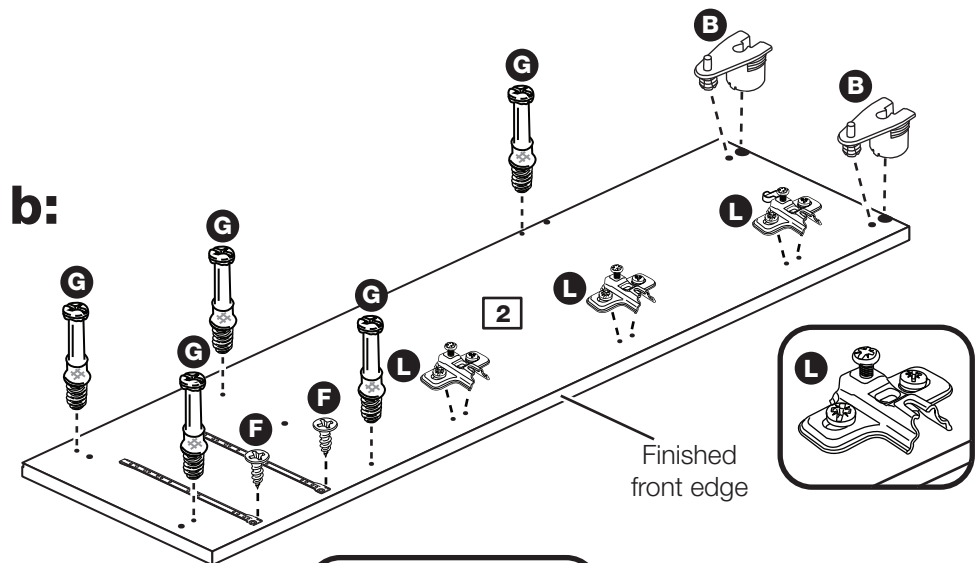
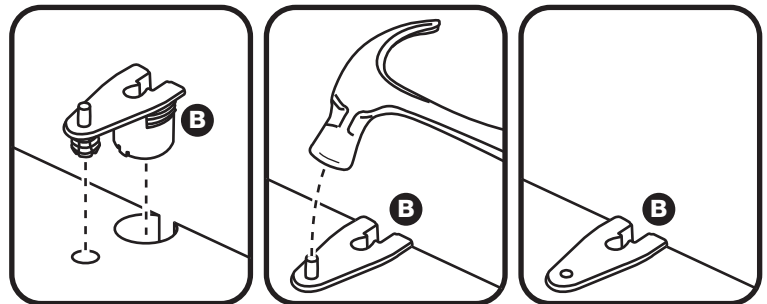
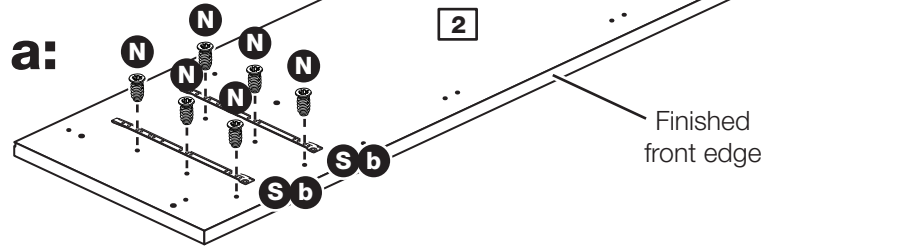
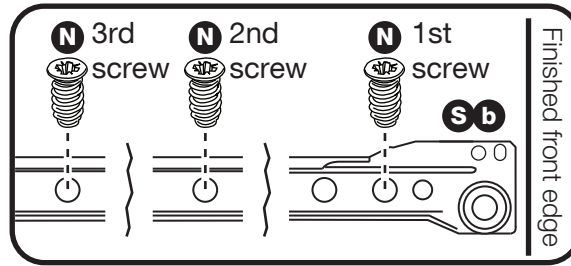
Push 2 hollow core locking nuts **B** into the right side **2**, making sure that they are flush against the panel's surface.

Using a hammer, tap in the pin on the hollow core locking nut **B**.

Note: The pin should be tapped in flush with the top surface of the hollow core locking nut **B**.

Screw 5 metal dowels **G** into the holes on the right side **2**.

Fit 3 hinge plates **L** onto the right side **2**, making sure that the slot is facing towards the finished front edge.



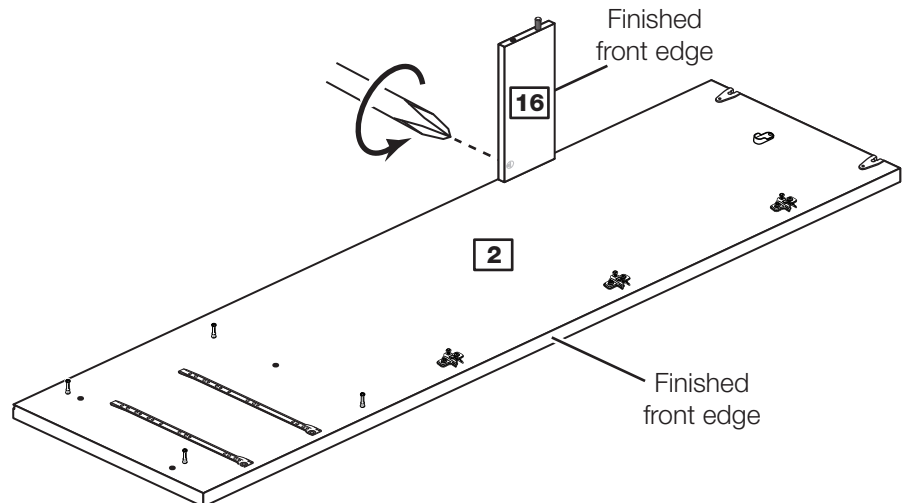
Assembly Instructions

Step 16

Fit the small back rail to the right side

Push the small back rail **16** onto the right side **2**.

Use a screwdriver to tighten the large locking nut **H** fitted to the back of the small back rail **16**.

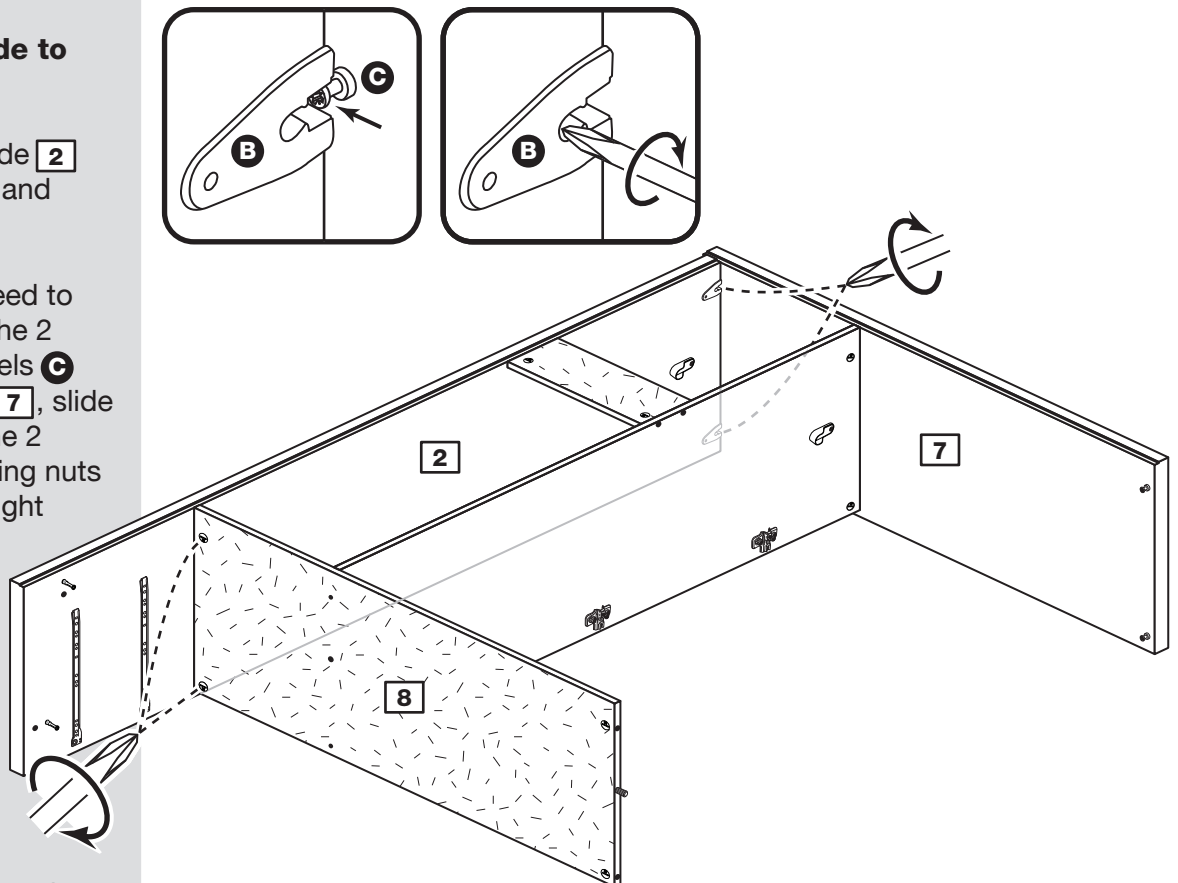


Step 17

Fit the right side to the assembly

Push the right side **2** onto the top **7** and horizontal **8**.

Note: You will need to make sure that the 2 small metal dowels **C** fitted to the top **7**, slide into the top of the 2 hollow core locking nuts **B** fitted to the right side **2**.



Insert a screwdriver into the 2 hollow core locking nuts **B** and turn the nuts inside as far as they will go.

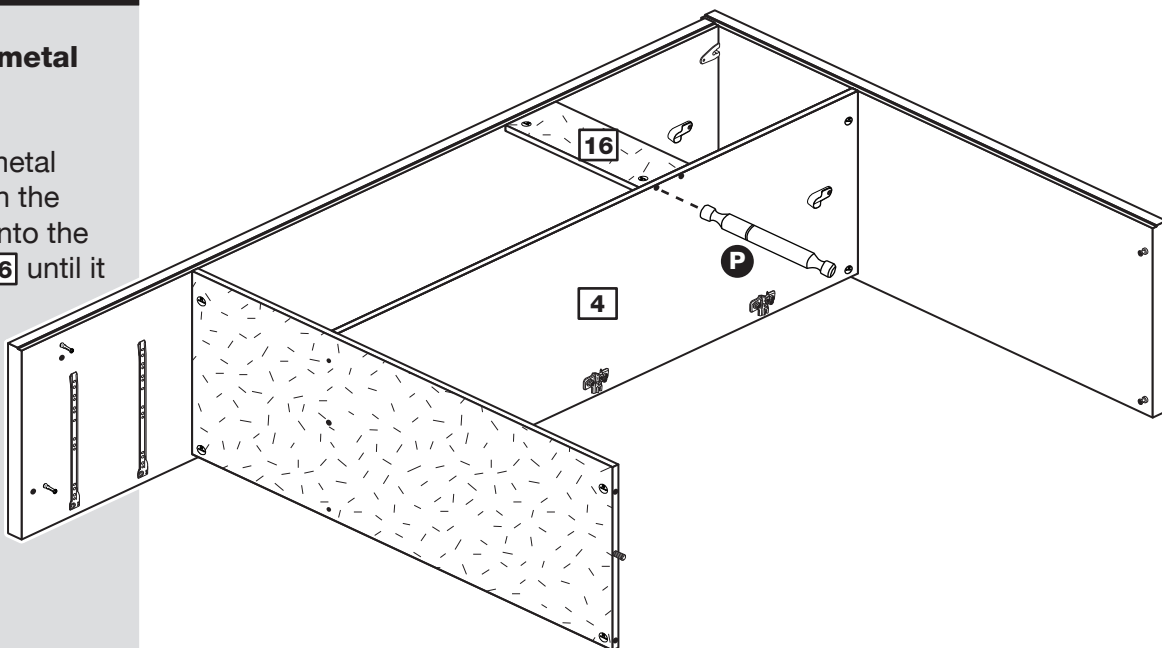
Use a screwdriver to tighten the 2 large locking nuts **H** fitted to the horizontal **8**.

Assembly Instructions

Step 18

Fit the double metal dowel

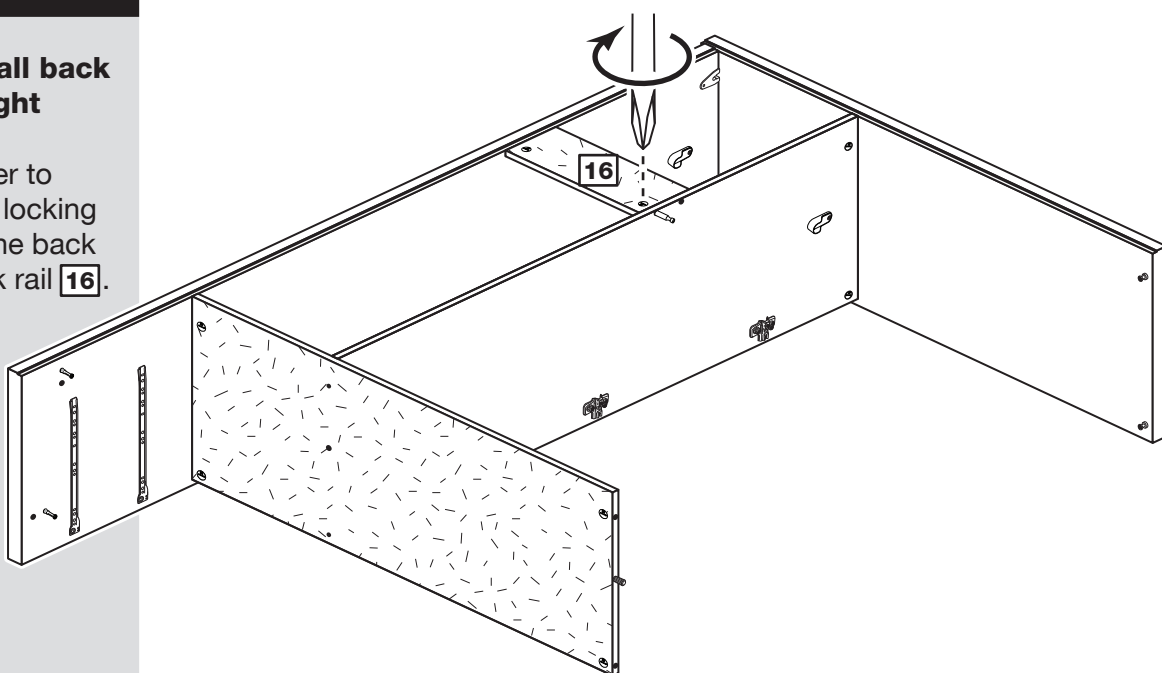
Tap the double metal dowel **P** through the upright **4** and into the small back rail **16** until it "bottoms out".



Step 19

Secure the small back rail to the upright

Use a screwdriver to tighten the large locking nut **H** fitted to the back of the small back rail **16**.



Assembly Instructions

Step 20

Prepare the left side

a: Fit the 2 runners **S a** to the left side **1**.

The 1st screw **N** uses the 2nd hole in from the front of the runner **S a**.

The 2nd and 3rd screw **N** use the holes that line up with the other panel holes.

Fit a rail holder **E** to the left side **1** using 2 screws **F**.

b: Fit a screw **F** into the 2nd hole at the top of the runners **S a**.

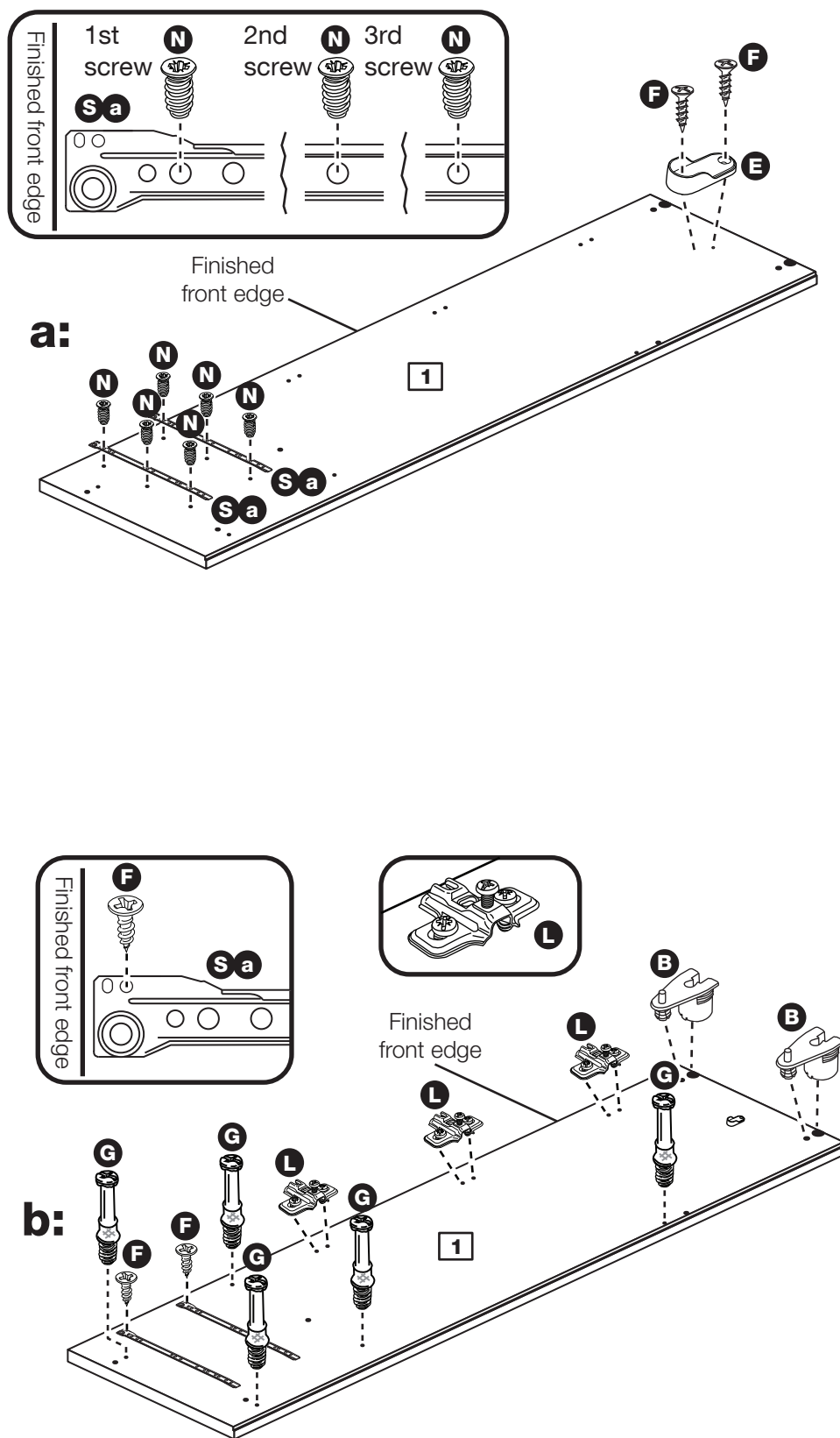
Push 2 hollow core locking nuts **B** into the left side **1**, making sure that they are flush against the panel's surface.

Using a hammer, tap in the pin on the hollow core locking nut **B**.

Note: The pin should be tapped in flush with the top surface of the hollow core locking nut **B**.

Screw 5 metal dowels **G** into the holes on the left side **1**.

Fit 3 hinge plates **L** onto the left side **1**, making sure that the slot is facing towards the finished front edge.



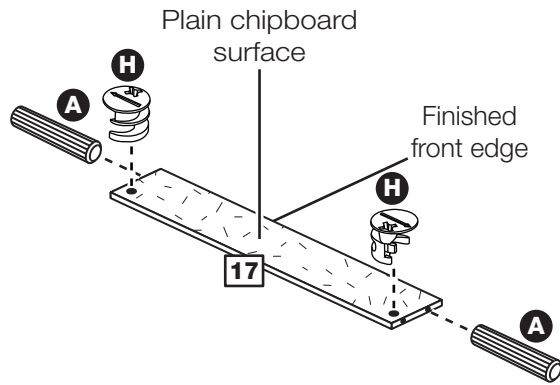
Assembly Instructions

Step 21

Prepare the large back rail

Insert 2 large locking nuts **H** into the large back rail **17**.

Tap 2 wooden dowels **A** into the large back rail **17**.

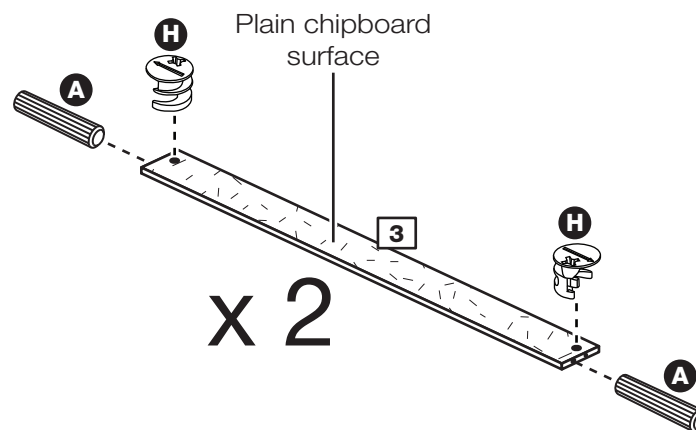


Step 22

Prepare the 2 plinths

Insert 2 large locking nuts **H** into each of the plinths **3**.

Tap 2 wooden dowels **A** into each of the plinths **3**.

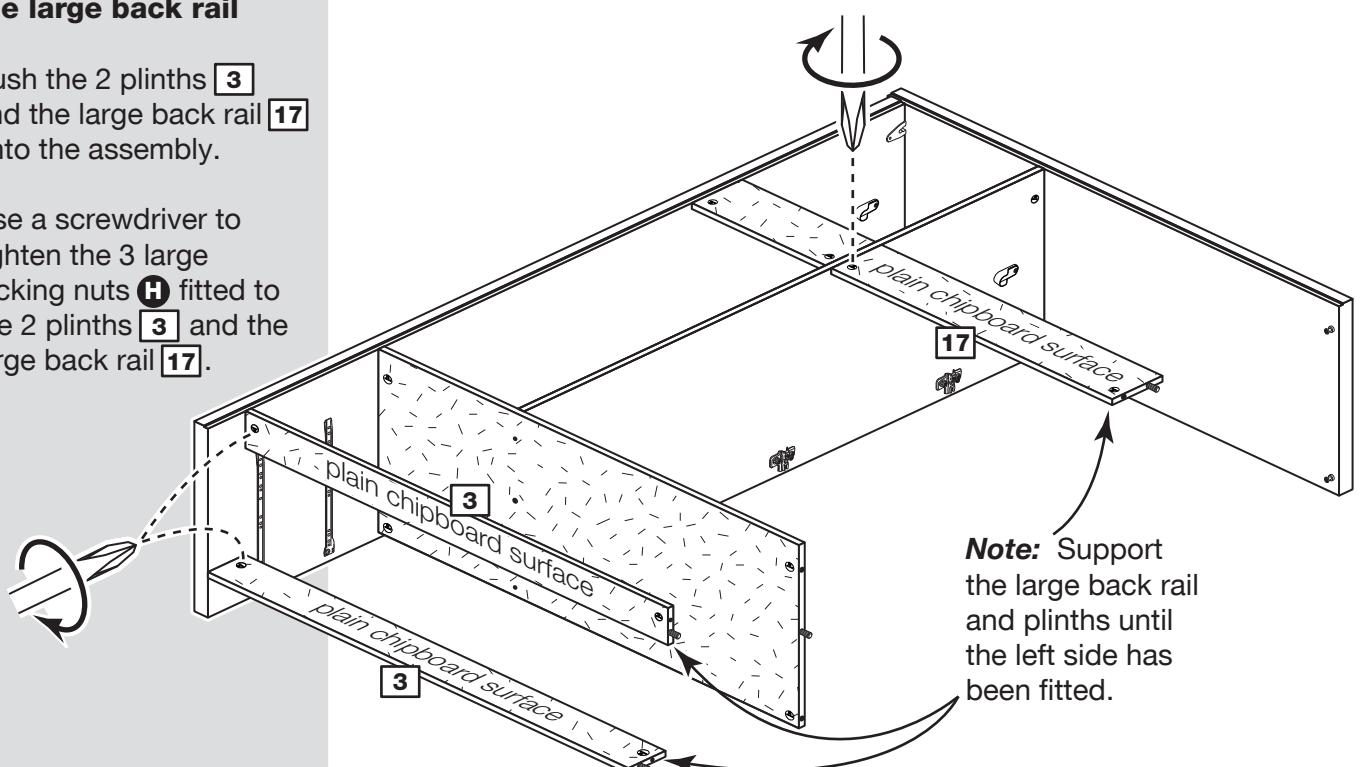


Step 23

Fit the 2 plinths and the large back rail

Push the 2 plinths **3** and the large back rail **17** onto the assembly.

Use a screwdriver to tighten the 3 large locking nuts **H** fitted to the 2 plinths **3** and the large back rail **17**.



Assembly Instructions

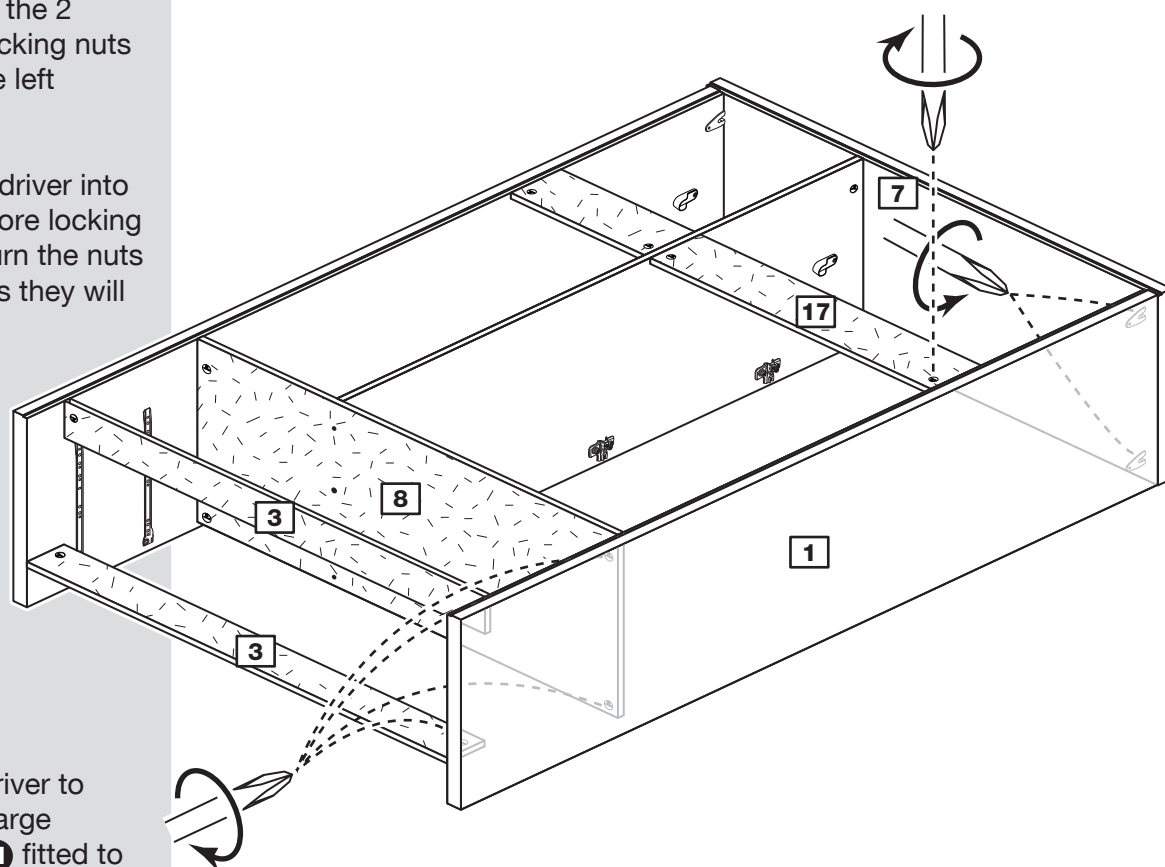
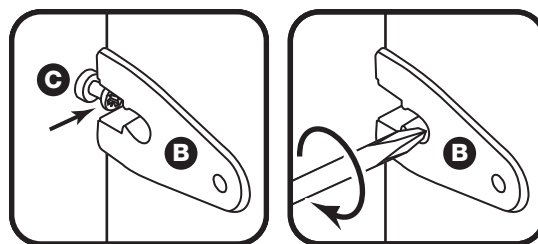
Step 24

Fit the left side to the assembly

Push the left side **1** onto the assembly as shown.

Note: You will need to make sure that the 2 small metal dowels **C** fitted to the top **7**, slide into the top of the 2 hollow core locking nuts **B** fitted to the left side **1**.

Insert a screwdriver into the 2 hollow core locking nuts **B** and turn the nuts inside as far as they will go.



Use a screwdriver to tighten the 2 large locking nuts **H** fitted to the horizontal **8** and the large locking nut **H** fitted to each plinth **3** and the large back rail **17**.

Note: Turn the large locking nuts **H** as far as they will go - more than 1/2 a turn.

Assembly Instructions

Step 25

Fit the back panels

a: Square up the unit by making sure that measurement **x** to **x** equals **y** to **y**.

b: Place the small back **18** and large back **19**, unit colour facing down, onto the unit as shown. Make sure that the 2 backs are pushed up tight against each other and that they meet in the centre of the upright **4** panel's edge.

Nail **D** around the outside edges of the 2 backs.

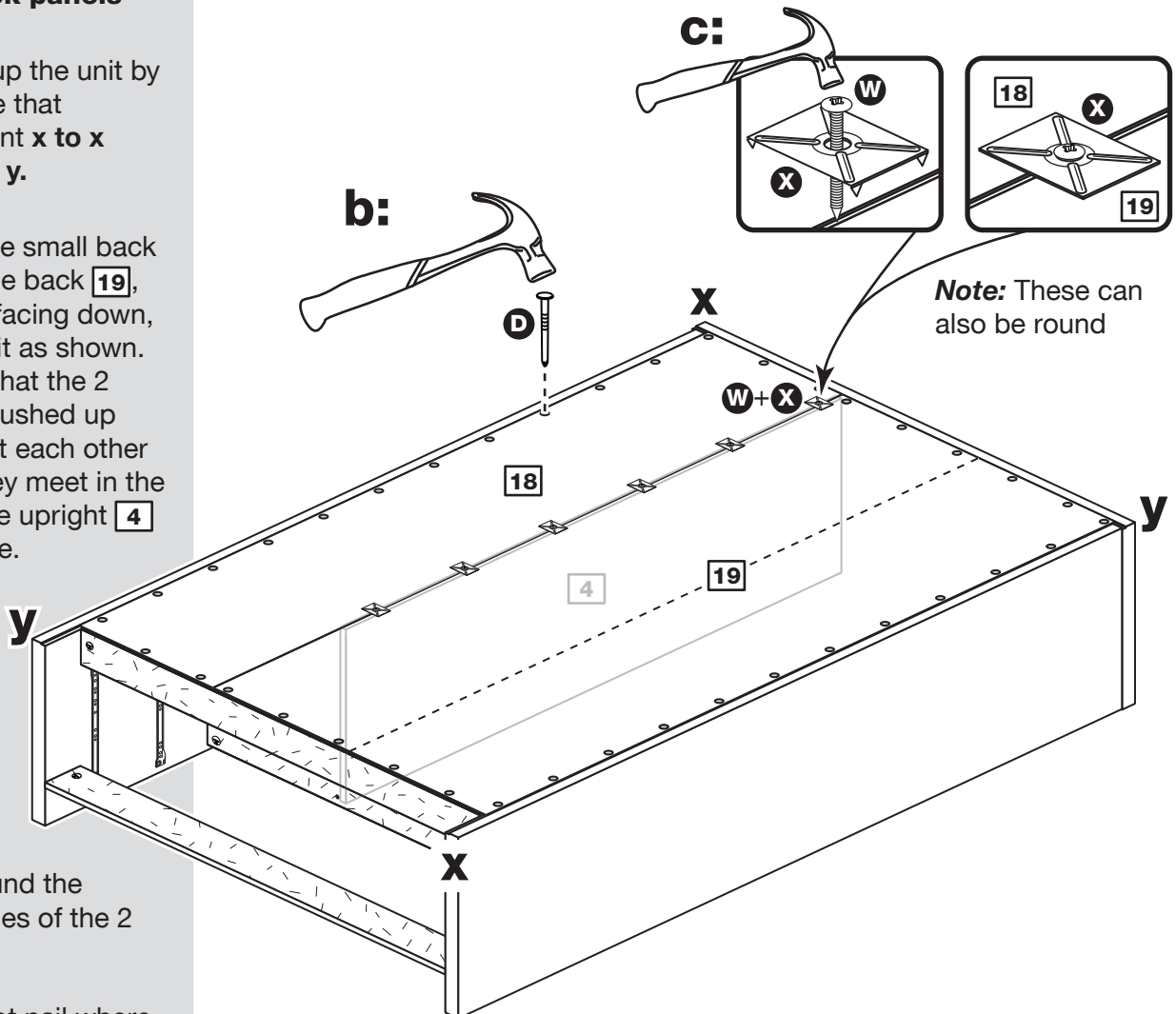
Note: Do not nail where the 2 backs meet. Nails should be spaced about 150mm apart.

c: Push the 6 nail screws **W** through the 6 back holders **X** and tap them down between the 2 backs **18** and **19** and into the back edge of the upright **4**.

Keep tapping the nail screws **W** in until the back holders **X** dig into the backs.

Stand the unit up for the next step.

a: The measurement from top corner X to bottom corner X must be equal to the measurement from top corner Y to bottom corner Y



Warning: The unit is heavy. Lift with care.

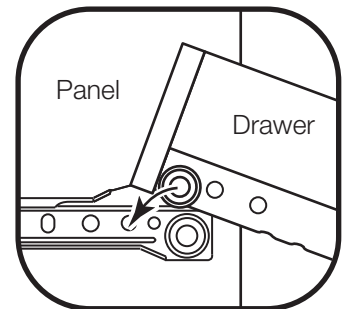
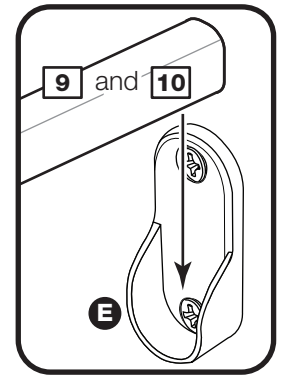
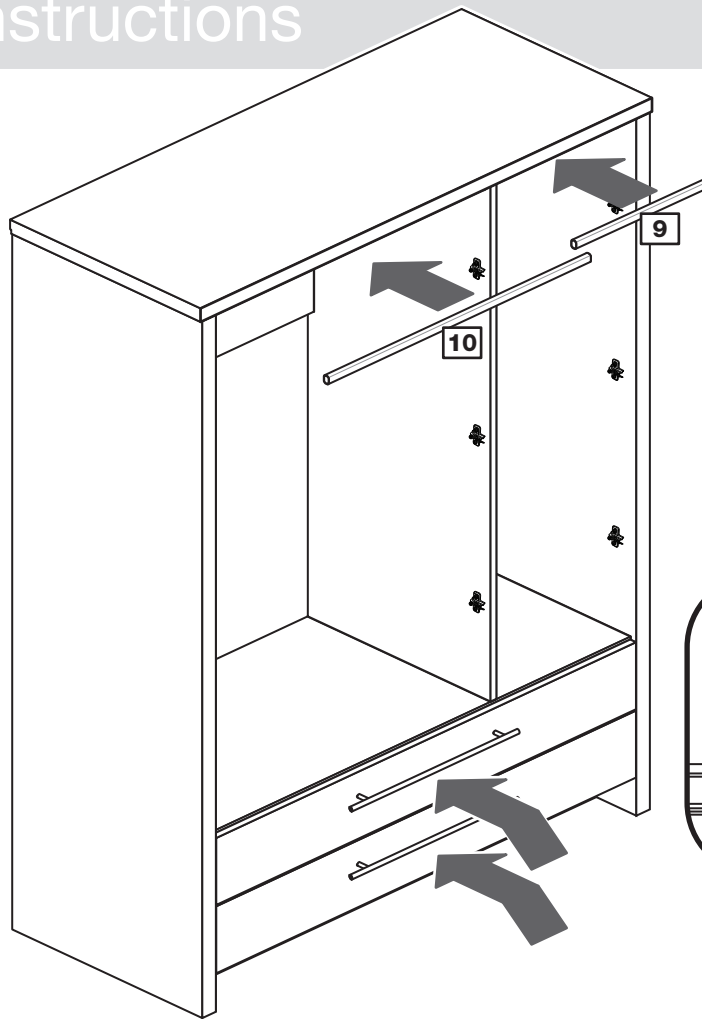
Assembly Instructions

Step 26

Fit the hanging rails and drawers

Push hanging rails **9** and **10** into the rail holders **E** fitted to the side and upright panels.

Slide the wheels of the runners fitted to the drawers, over the wheels of the runners fitted to the side panels and push the drawers into position.



Step 27

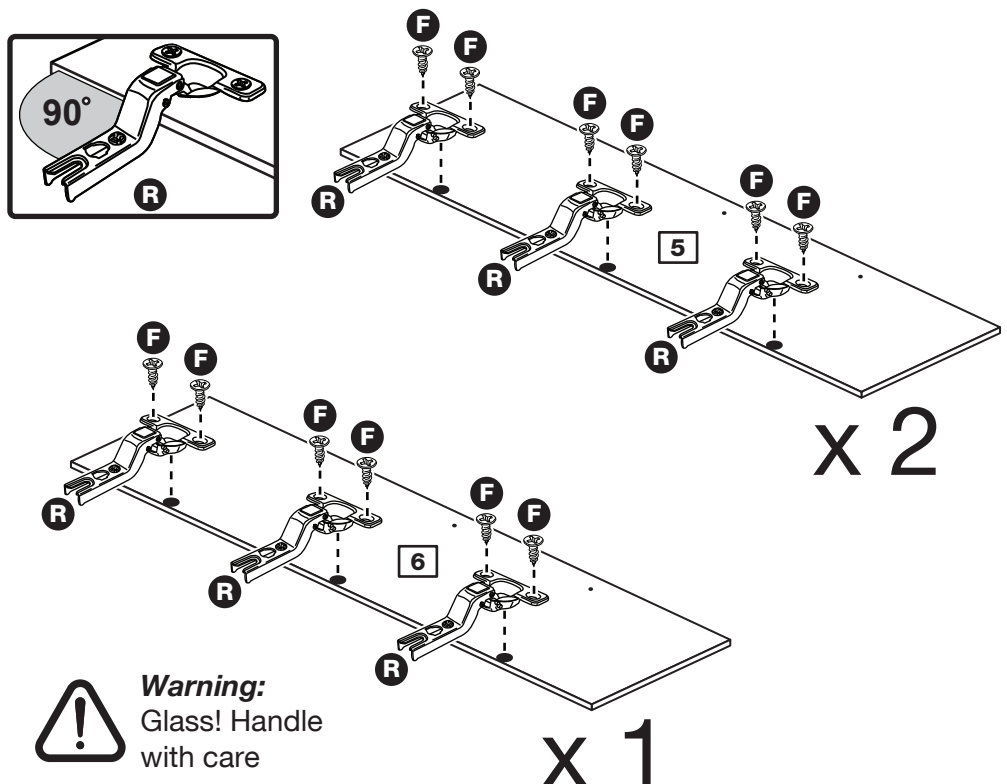
Prepare the 3 doors

Lay the doors down onto a soft, smooth surface.

Push fit 3 hinges **R** into each plain door **5** and the mirror door **6**.

Secure each hinge with 2 screws **F**.

Note: Before securing with the screws, make sure that the hinges are positioned at 90 degrees with the front edge of the door.



Assembly Instructions

Step 28

Drill 2 handle holes in each of the plain doors only

Important: DO NOT drill into the mirror door.

Please follow these instructions carefully.

Lay the 2 plain doors **5** down onto a smooth surface.

Check that the hinges and holes are in the same place as the diagrams.

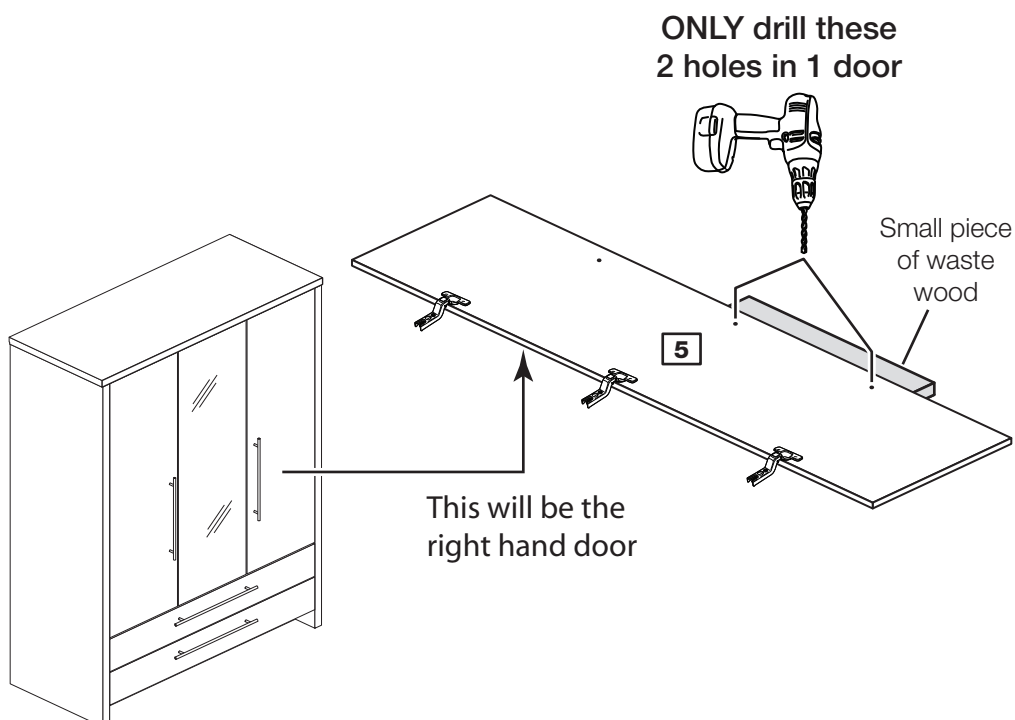
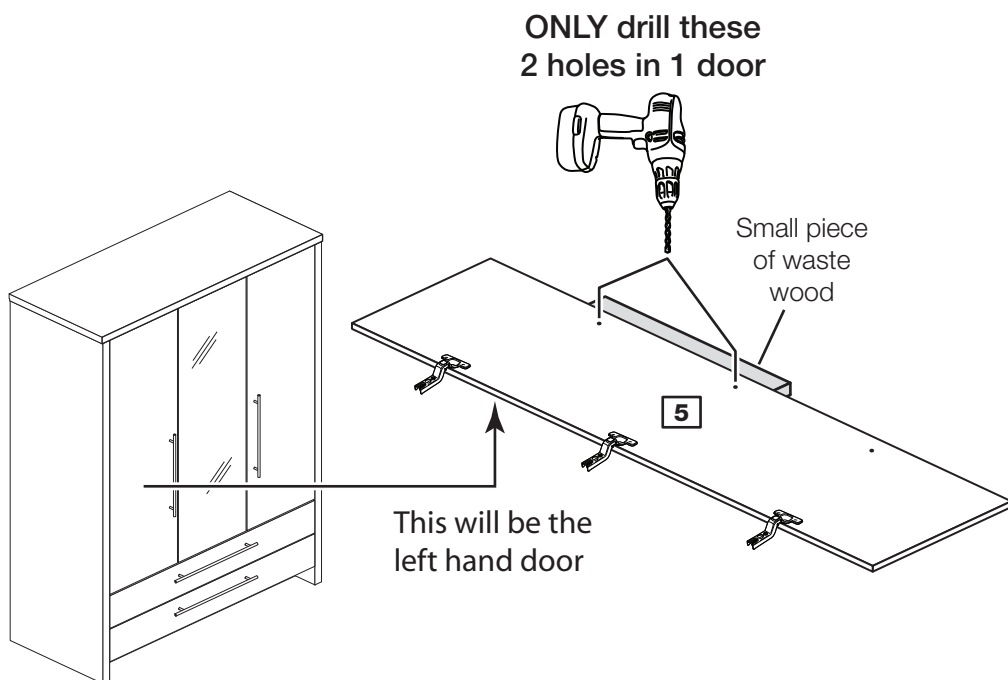
Note: We recommend the use of a small piece of waste wood, placed behind the holes while drilling, to reduce the possibility of any breakout.

Using the pilot holes in the rear face of the door, drill through the 2 holes indicated opposite, using a 2.5mm diameter drill.

Turn the door over and open out the 2.5mm holes that you have just drilled by drilling back through them with a 5mm drill.

IMPORTANT

DO NOT drill into the Mirror Door.
Carefully choose which 2 holes you need to drill in each of the plain doors.



Assembly Instructions

Step 29

Fit doors and handles

2 people are needed here

Note: The easiest way to attach each door **5** and **6** is to fit the top hinge first, then align and fit the other hinges.

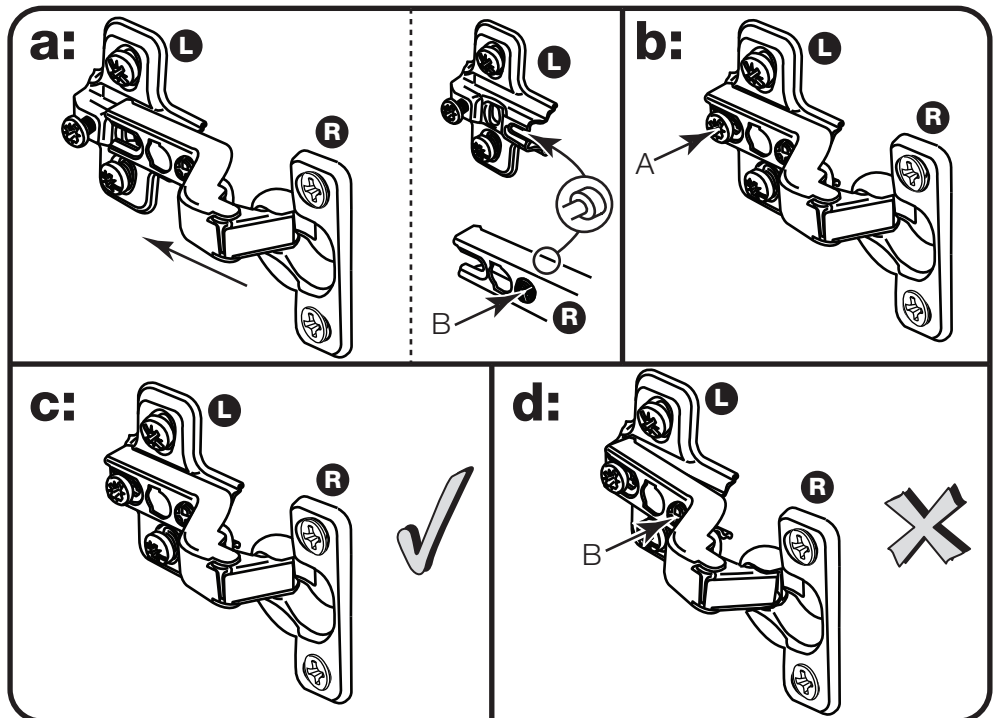
a: Push the hinge **R** onto the front part of the hinge plate **L**.

b: Keep the hinge **R** FLAT against the hinge plate **L** as you slide it across as far as it will go. Tighten screw A.

c: The hinge **R** must be flat against the hinge plate **L** prior to any adjustment.

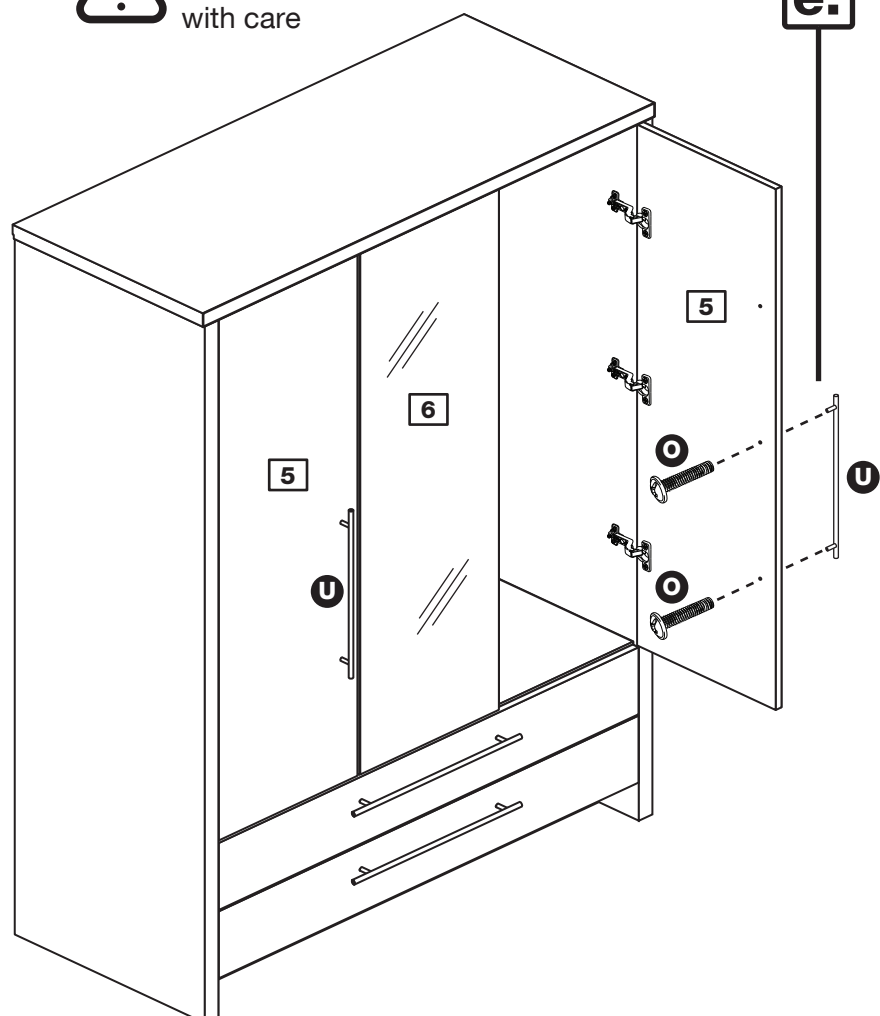
d: The hinge **R** must NOT be AT AN ANGLE to the hinge plate **L** when assembled. This would indicate that the recess at the bottom of screw B had not located in the slot in the hinge plate and the hinge would not be secure. Remove the hinge from the hinge plate and then re-assemble being careful to follow instructions a-c.

e: Attach a handle **U** to each plain door **5** using 2 screws **O**.



Warning:

Glass! Handle with care



Assembly Instructions

Step 30

Adjust doors if needed

a: Before adjusting the doors, use a spirit level to check the top (or base) of the unit is level, front-to-back and side-to-side in the 3 positions shown.

Use suitable packing pieces (not supplied) to make the unit level BEFORE making any adjustment to the hinges, as shown.

b: Height adjustment.

Loosen screws A on hinge plates and move door up or down as required.

Retighten screw A.

c: Forward and Back adjustment.

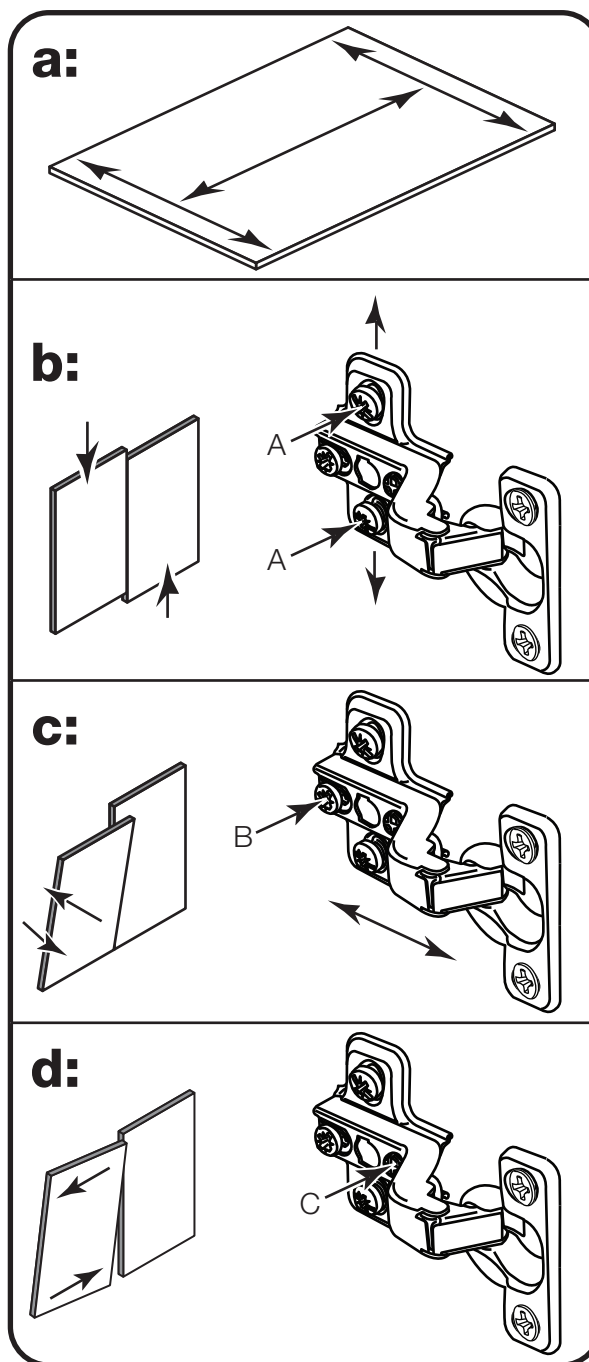
Loosen screw B on hinge plate and move door in or out as required.

Retighten screw B.

d: Sideways adjustment.

To move door 'out' loosen screw C.

To move door 'in' tighten screw C.



Assembly Instructions

Step 31

Attach bracket to top

To prevent possible overbalancing, we recommend that this unit is secured to a suitable wall by use of the bracket **K** fitted to the top of the unit.

Fixings are not supplied, as they will need to suit the wall type and the length of screw will depend on the distance from the back of the unit to the wall.

Fit the bracket **K** loosely onto the top of the unit, fixing screw **J** between 10-15mm in from the back edge, and mark the wall for the wall fixing.

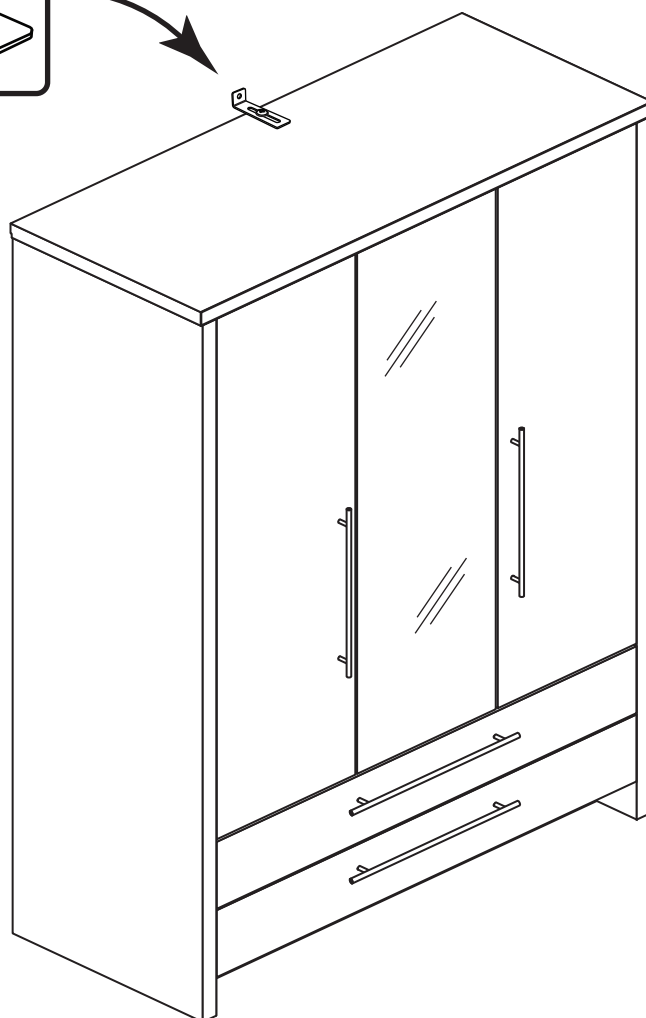
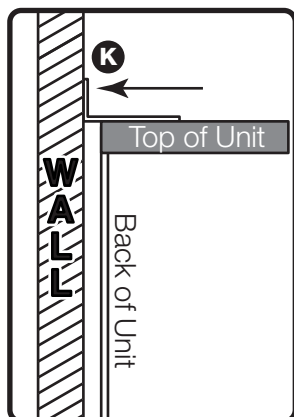
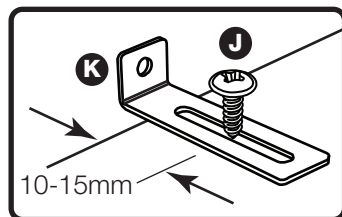
Swivel the bracket **K** away from the wall and drill a hole in the wall using a suitable drill bit and fit your wall fixing.

Swivel the bracket **K** back and fix the bracket to the wall, then tighten Screw **J**.

Note: Take care when drilling the wall that you do not drill into any pipes, wires etc. If in doubt, consult an expert.



Warning: The unit is heavy. Lift with care.



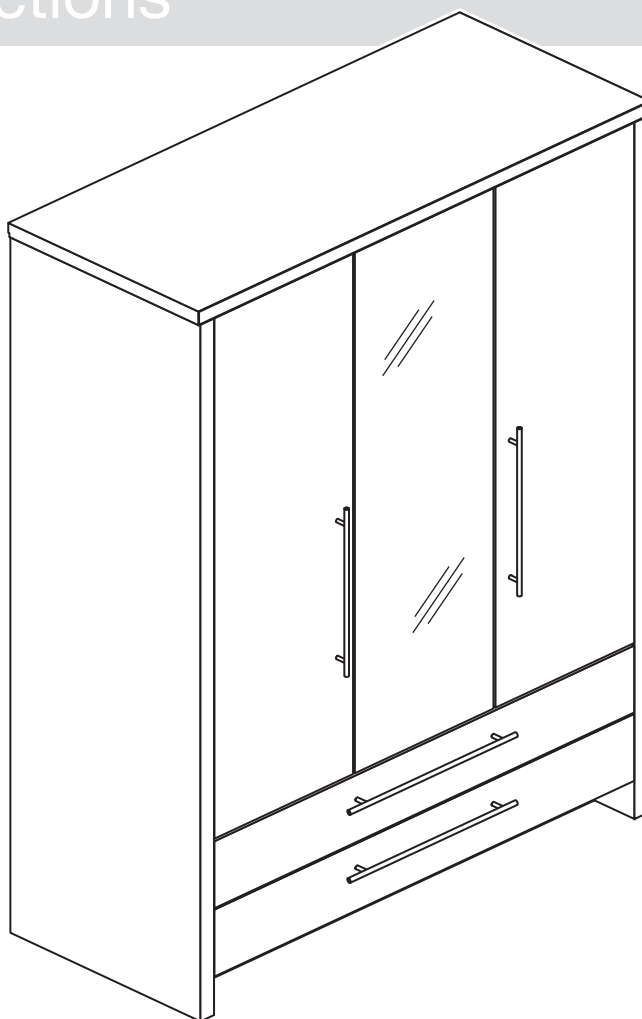
Assembly Instructions

Step 32

Assembly is complete



Warning: The unit is heavy. Lift with care.



IMPORTANT INFORMATION ABOUT THIS PRODUCT

This product complies with the requirements of BS 7449:1991 and has been manufactured by DECORATIVE PANELS FURNITURE LTD, TEESSIDE INDUSTRIAL ESTATE, THORNABY-ON-TEES, CLEVELAND, TS17 9LT.

The product code for this unit and the item code(s) for the glass components are listed in the Assembly Instructions along with a description of the type of glass used. All clear/tinted glass complies with the requirements of BS 6206 Class A. All mirrors comply with the requirements of BS 6206 Class C. If the glass component contained in this unit is chipped or broken consult the furniture manufacturer, retailer, or agent with regard to obtaining a manufacturing specification and shape for replacement glass quoting the unit description and batch number or date of manufacture. Do not place very hot or very cold items against or in close proximity to glass surface(s) unless adequately thick insulating material is used to prevent such items coming in contact with the glass.

Do not strike the glass with hard or pointed items.

Do not sit or stand upon horizontal glass surfaces.

When cleaning glass panels use a damp cloth or leather with washing up liquid or soft soap if necessary - do not use washing powders or any other substance containing abrasives since these substances scratch glass.

If stated in the instruction leaflet, it is essential that this unit is fixed to a wall.

KEEP THESE INSTRUCTIONS FOR FUTURE USE

If you need help or have damaged or missing parts, call the Customer Helpline: 08456 400800 and quote the reference numbers on the component pages.

Argos Ltd, 489-499 Avebury Boulevard, Central Milton Keynes, MK9 2NW

