

# HOOVER

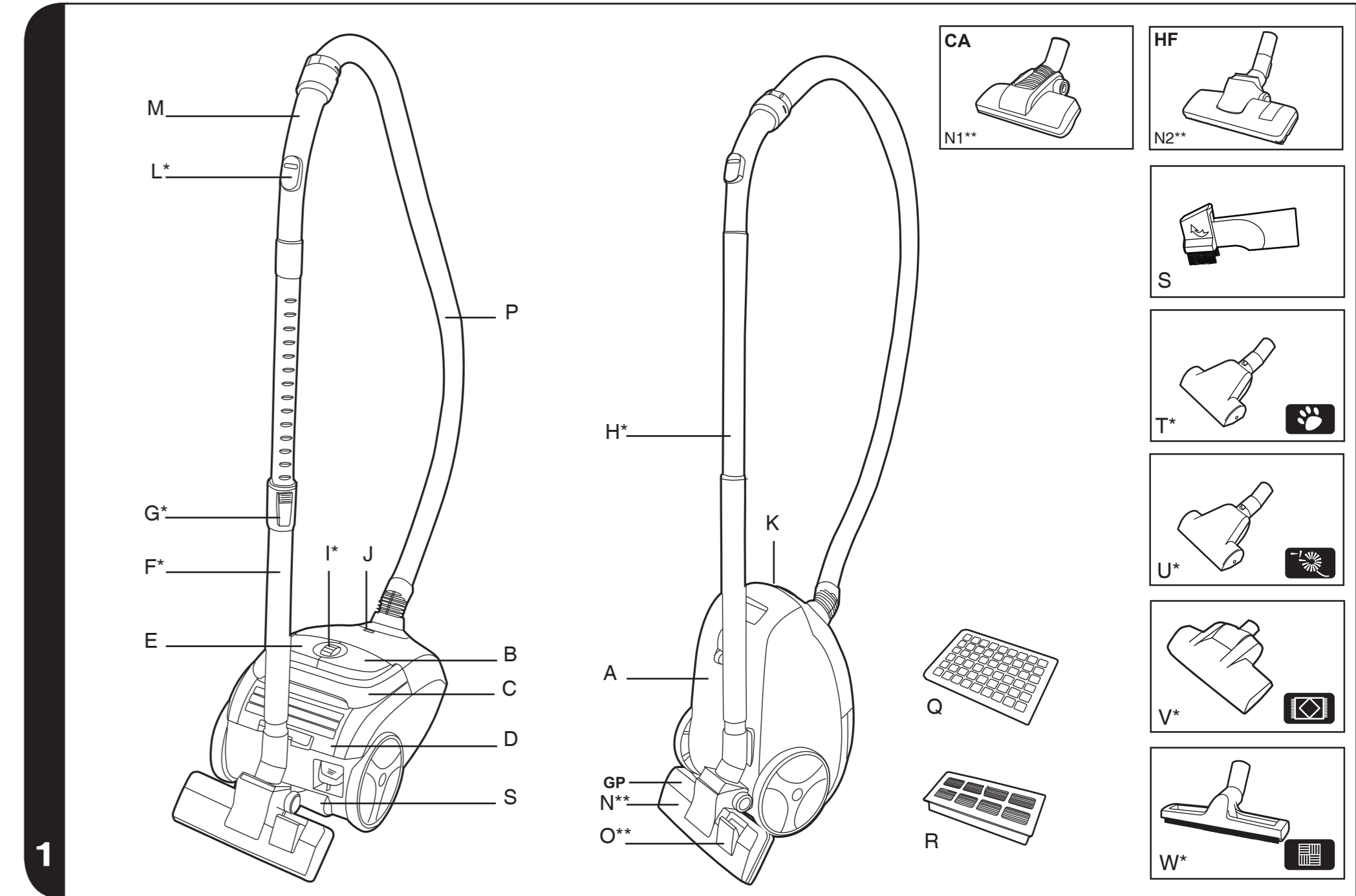


USER MANUAL (GB) .....P 01  
 MANUEL D'UTILISATION (FR) .....P 04  
 BEDIENUNGSANLEITUNG (DE) .....P 08  
 MANUALE ISTRUZIONI (IT) .....P 12  
 GEBRUIKERSHANDLEIDING (NL) .....P 15  
 MANUAL DE INSTRUÇÕES (PT) .....P 19  
 MANUAL DE INSTRUCCIONES (ES) .....P 23  
 BRUGERVEJLEDNING (DK) .....P 27  
 BRUKSANVISNING (NO) .....P 30  
 INSTRUKTIONSMANUAL (SE) .....P 33  
 KÄYTTÖOHJE (FI) .....P 36  
 ΟΔΗΓΙΕΣ ΧΡΗΣΕΩΣ (GR) .....P 39  
 РУКОВОДСТВО ПОЛЬЗОВАТЕЛЯ (RU) .....P 43  
 INSTRUKCJA OBSŁUGI (PL) .....P 47  
 NÁVOD K OBSLUZE (CZ) .....P 51  
 NAVODILA ZA UPORABO (SI) .....P 54  
 KULLANIM KILAVUZU (TR) .....P 57



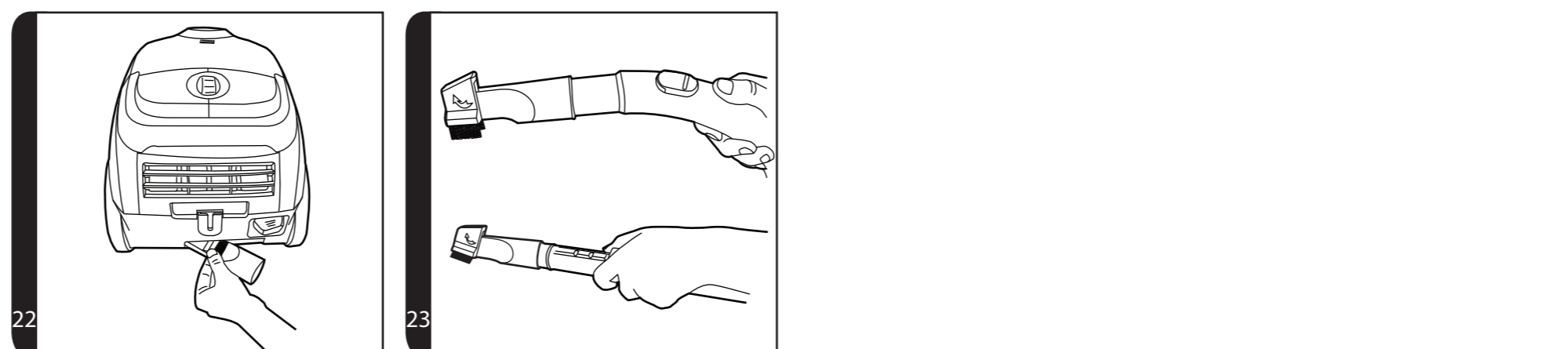
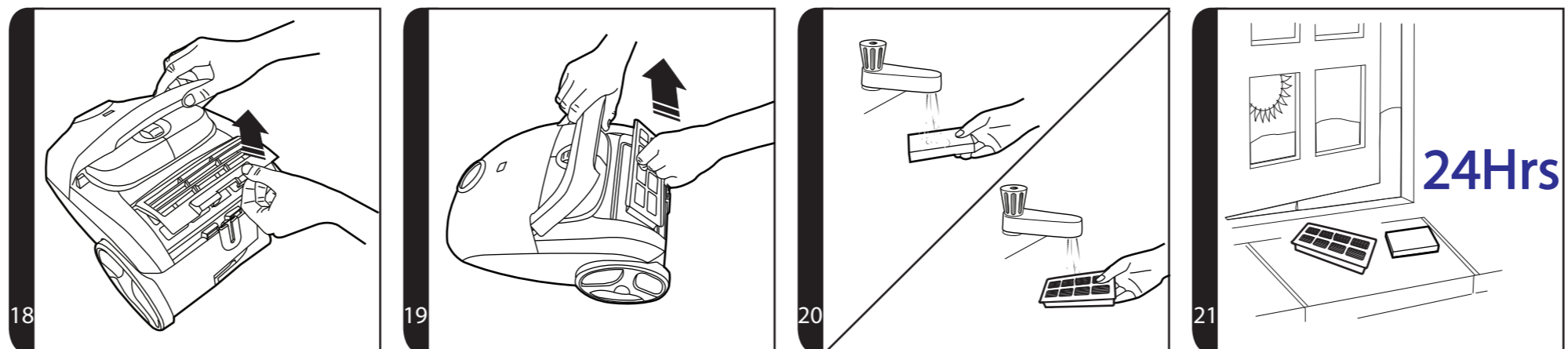
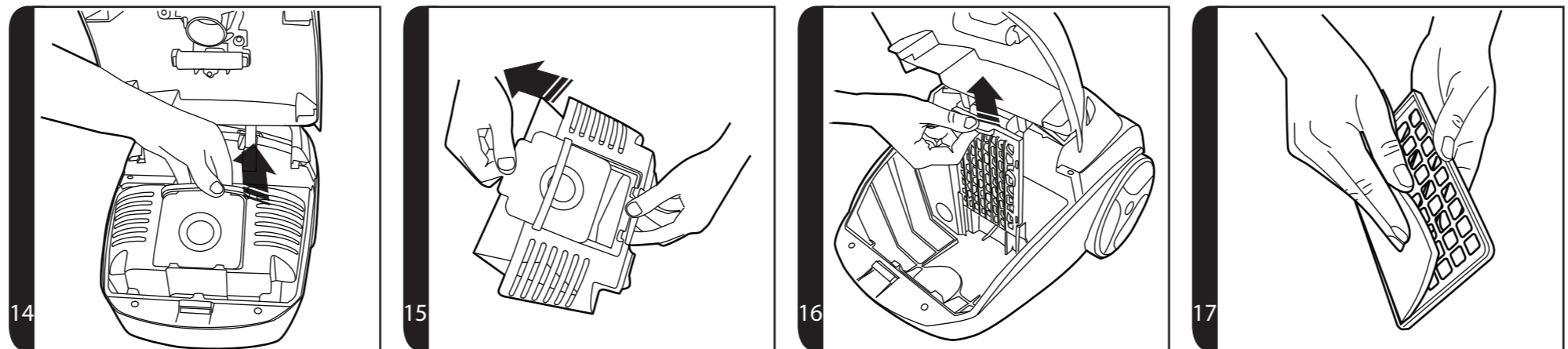
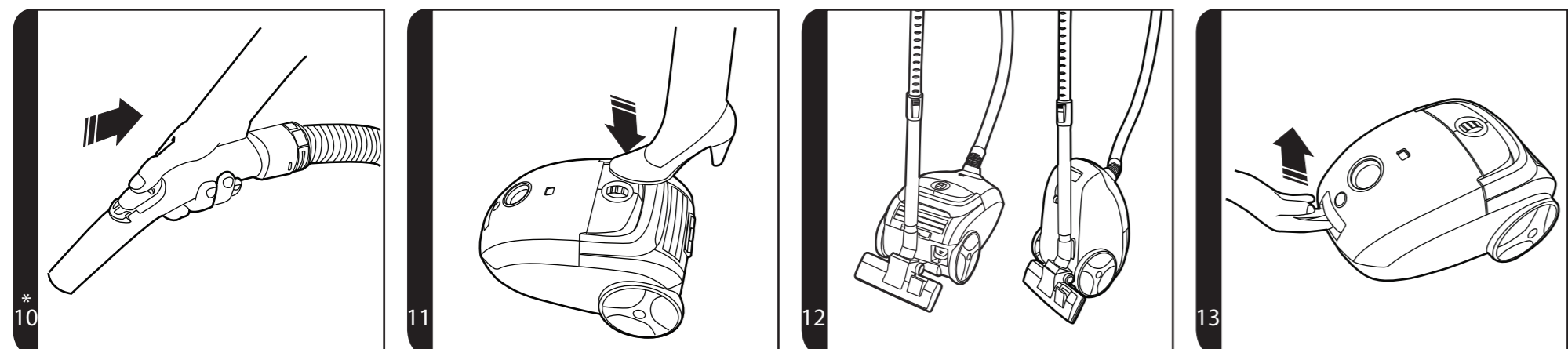
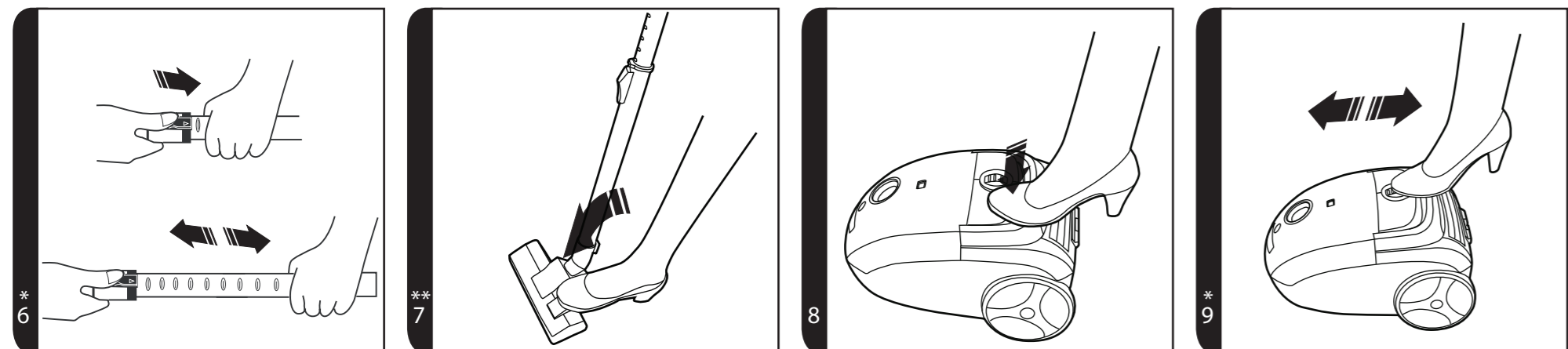
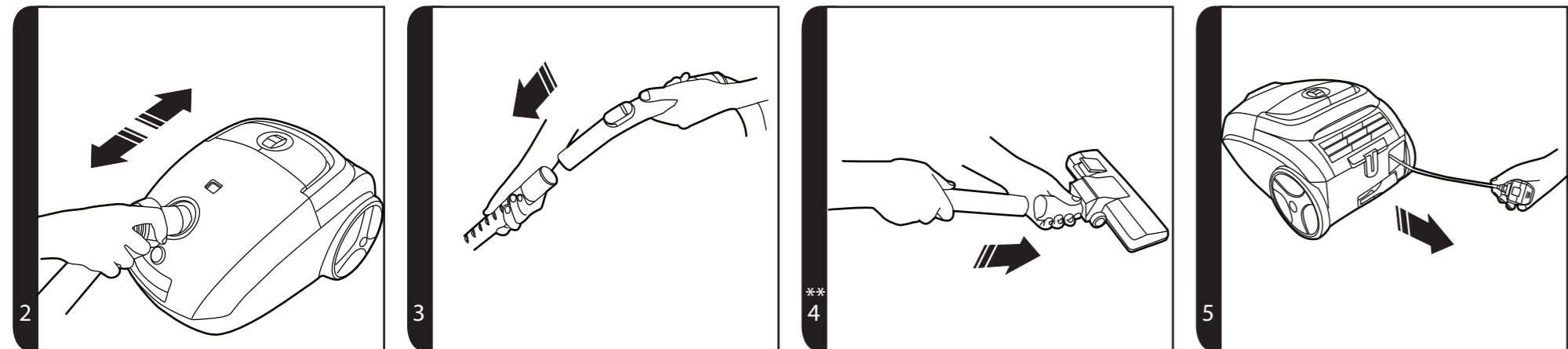
PRINTED IN P.R.C.  
48012088/01

GENERATION FUTURE



\* Certain models only

\*\* Certain models only, nozzles may vary according to model



\* Certain models only

\*\* Certain models only, nozzles may vary according to model

## INSTRUCTIONS FOR SAFE USE

This appliance should only be used for domestic cleaning, as described in this user guide. Please ensure that this guide is fully understood before operating the appliance.

Do not leave the appliance plugged in. Always switch off and remove the plug from the socket after use, or before cleaning the appliance or any maintenance task.

This appliance can be used by children aged from 8 years and above and persons with reduced physical, sensory or mental capabilities or lack of experience and knowledge if they have been given supervision or instruction concerning use of the appliance in a safe way and understand the hazards involved. Children shall not play with the appliance. Cleaning and user maintenance shall not be made by children without supervision.

If the power cord is damaged stop using the appliance immediately. To avoid a safety hazard, an authorised HOOVER service engineer must replace the power cord.

Keep hands, feet, loose clothing and hair away from rotating brushes.

Use only attachments, consumables or spares recommended or supplied by HOOVER.

**Static electricity:** Some carpets can cause a small build up of static electricity. Any static discharge is not hazardous to health.

Do not use your appliance out of doors or on any wet surface or for wet pick up.

Do not pick up hard or sharp objects, matches, hot ashes, cigarette ends or other similar items.

Do not spray with or pick up flammable liquids, cleaning fluids, aerosols or their vapours.

Do not run over the power cord when using your appliance or remove the plug by pulling on the power cord.

Do not continue to use your appliance if it appears faulty.

**HOOVER service:** To ensure the continued safe and efficient operation of this appliance we recommend that any servicing or repairs are only carried out by an authorised HOOVER service engineer.

Do not stand on or wrap the cord around arms or legs when using your appliance.

Do not use the appliance to clean animals or people.

Do not position the appliance above you when cleaning the stairs.

### The Environment

The symbol on this appliance indicates that this appliance may not be treated as household waste. Instead it must be handed over to the applicable collection point for the recycling of electrical and electronic equipment. Disposal must be carried out in accordance with local environmental regulations for waste disposal. For more detailed information about treatment, recovery and recycling of this appliance, please contact your local city office, your household and waste disposal service or the shop where you purchased the appliance.



**CE** This appliance complies with the European Directives 2006/95/EC, 2004/108/EC and 2011/65/EU.

HOOVER Limited, Pentrebach, Merthyr Tydfil, Mid Glamorgan, CF48 4TU, UK

## GETTING TO KNOW YOUR CLEANER

- |                                    |   |
|------------------------------------|---|
| A. Main Cleaner                    | N. Carpet and Floor nozzle( <b>GP</b> )** |
| B. Cord Rewind Pedal               | N1. Carpet Nozzle ( <b>CA</b> )**         |
| C. Carry Handle                    | N2. Hard Floor Nozzle ( <b>HF</b> )**     |
| D. Exhaust Filter Cover            | O. Surface selector Peda **               |
| E. On/Off Pedal                    | P. Hose                                   |
| F. Telescopic Tube*                | Q. Pre motor filter                       |
| G. Telescopic Tube Release Button* | R. Exhaust filter                         |
| H. Standard Tube*                  | S. 2 in 1 Tool                            |
| I. Variable Power Control Roller*  | T. Pet Hair Remover Mini Turbo Nozzle*    |
| J. Bag Check Indicator             | U. Allergen Remover Mini Turbo Nozzle*    |
| K. Bag Door Release Latch          | V. Grand Turbo Nozzle*                    |
| L. Suction Regulator*              | W. Parquet nozzle*                        |
| M. Handle                          |   |

## ASSEMBLING YOUR CLEANER

Remove all components from the packaging.

1. Connect the hose to the cleaner main body, ensuring it clips and locks into position. To release: simply press the two buttons on the hose end and pull [2].
2. Connect the tube upper end to the handle. [3].
3. Connect the tube lower end to the carpet and floor nozzle [4].

## USING YOUR CLEANER

1. Extract power cord and plug it into the power supply. Do not pull the cord beyond the red marker [5].
2. Adjust the length of the telescopic tube\* by moving the telescopic release button\* up and raise or lower the handle to the most comfortable cleaning position [6].
3. Carpet & Floor Nozzle. Press the pedal on the nozzle [7] to select the ideal cleaning mode for the floor type.
  - Hard Floor:** The brushes are lowered to protect the floor
  - Carpet:** With lifted brushes for the deepest clean
4. Switch the cleaner on by pressing the On/Off pedal on the cleaner main body. [8]
5. Adjust the power level by rotating the variable power control roller\*. [9]
6. Adjust the suction regulator\* to the desired level. [10].
7. Switch off at the end of use by pressing the On/Off pedal. Unplug and press the cord rewind pedal to wind the power cord back into the cleaner [11].
8. Parking and Storage - The tube can be parked for temporary storage while in use, or in the storage position when not in use [12].

\*Certain Models Only

\*\* Certain models only, nozzles may vary according to model

## CLEANER MAINTENANCE

### Replacing The Dust Bag

If the bag check indicator is red please check and, if necessary, replace the bag.

1. Lift the bag door release latch [13] to open the cover, pull the bag holder [14] and pull the bag collar to remove the bag [15].
2. Apply the peel and seal sticker, located on the bag collar, to the bag inlet. The full dust bag should be disposed of correctly and carefully.
3. Fold a new bag as shown on the bag and fit by inserting the collar into the bag holder.
4. Refit the bag holder and close the bag door.

**Warning** - The bag door will NOT close if the dust bag and/or the bag holder are not assembled to the cleaner. Always ensure the bag and bag holder are present when closing the bag door.

**Remember:** The bag check indicator may also be red if an obstruction has occurred. In this case refer to 'Removing A Blockage From the System'.

### Cleaning the Filters

To maintain optimum performance of your cleaner, please wash the filters after each 5 bag changes.

#### Cleaning the pre-motor filter:

1. Lift the bag door release latch [13] to open the cover and remove the bag holder.
2. To remove the pre-motor filter slide the pre-motor filter frame from the cleaner. [16]
3. Remove the filter from the holder. [17]
4. Wash it in hand warm water, [20] and allow it to dry thoroughly before replacing to the cleaner [21].

#### Cleaning the exhaust filter:

1. To remove the exhaust filter, unclip the exhaust filter cover [18] and remove the filter pack. [19]
2. Wash the filter in hand warm water [20] and allow it to dry thoroughly before replacing to the cleaner. [21].

**Remember:** Do not use hot water or detergents. In the unlikely event of the filters becoming damaged, fit a Genuine Hoover replacement. Do not try and use the product without a dust bag or filter fitted.

### Cleaning the permanent cloth dust bag\*

To maintain optimum performance we recommend that you wash the permanent cloth dust bag under hand warm water after every 5 full bags. Remove excess water and leave to dry fully before replacing.

### Removing a Blockage From The System

If the bag check indicator is illuminated or flashing:

1. Check if the bag is full. If so refer to 'Replacing The Dust Bag'.
2. If it is not full, then;
  - A. Do the filters need cleaning? If so refer to 'Cleaning the Filter'.
  - B. Check if there is any other blockage in the system - Use a rod or a pole to remove any blockage from the Teletube or flexible hose.

**Warning** - The bag check indicator will turn red if the cleaner is used when full, if there is a blockage or if the filters are dirty. If the cleaner is used for a significant period of time with the bag check indicator is red, a thermal cut out will switch the cleaner off to prevent overheating. The bag check indicator turn green once the cleaner has switched off to signal that the thermal cut out has been activated. If this should happen, switch the cleaner off, unplug and correct the fault. It will take about 30 minutes for the cut out to automatically reset.



## ACCESSORIES AND NOZZLES

To obtain the best performance and energy efficiency<sup>#1</sup> it is recommended that the correct nozzles are used for the main cleaning operations. These nozzles are indicated in the diagrams by the letters **GP**, **HF** or **CA**.

A nozzle type **GP** can be used to clean both carpet and hard floor.

A nozzle type **HF** is suitable for use only on hard floor.

A nozzle of type **CA** is suitable for use only on carpet.

The other nozzles are accessories for specialist cleaning tasks and are recommended for occasional use only.

It is important to note that this vacuum cleaner is supplied with an Energy Label as required by European Regulation (EU) 665/2013.

If the label shows a red prohibition circle on the left covering the carpet symbol, then this indicates that the vacuum cleaner is not suitable use on carpets.

If the label shows a red prohibition circle on the right covering the hard floor symbol, then this indicates that the vacuum cleaner is not suitable for use on hard floors.

<sup>#1</sup> **NOTE:** Dust pick up ability carpet, dust pick up ability hard floor, and energy efficiency in accord with Commission Regulations (EU) 665/2013 and (EU) 666/2013.

All accessories can be fitted to the end of the handle or the end of the tube. **[23]**

**2 in 1 tool** – Combines two functions in one, the 2 in 1 tool can be connected as a crevice tool. By rotating the end piece converts to a dusting brush. The 2 in 1 tool can be stored neatly at the rear of the cleaner. **[22]**

**Crevice Tool** – For corners and hard to reach areas.

**Dusting Brush** – For bookshelves, frames, keyboards and other delicate areas. To extend the brushes push the button on the body of the tool.

**Pet Hair Remover Mini Turbo Nozzle\*** – Use the mini turbo nozzle on stairs or for deep cleaning on textile surfaces and other hard to clean areas **[1T]**.

**Allergen Remover Mini Turbo Nozzle\*** – Use the mini turbo nozzle on stairs or for deep cleaning on textile surfaces and other hard to clean areas. **[1U]**

**Grand Turbo Nozzle\*** – Use the turbo nozzle for deep cleaning on carpets. **[1V]**

**Parquet Nozzle\*** – For wooden floors and other delicate floors. **[1W]**

**IMPORTANT:** Do not use the grand turbo nozzle or mini turbo nozzles on rugs with long fringes, animal hides and carpet pile deeper than 15mm. Do not keep the nozzle stationary while the brush is rotating.

## USER CHECKLIST

Should you have a problem with the product, complete this simple user checklist before calling your local Hoover service.

- Is there a working electricity supply to the cleaner? Please check with another electrical appliance

\*Certain Models Only

\*\* Certain models only, nozzles may vary according to model

- Is the dust bag over-filled? Please refer to 'Cleaner Maintenance'
- Is the Filter blocked? Please refer to 'Cleaning the filter'
- Is the hose or nozzle blocked? Please refer to 'Removing a blockage from the system'
- Has the cleaner overheated? If so, it will take approximately 30 minutes to automatically reset

## IMPORTANT INFORMATION

### Hoover spares and Consumables

Always replace parts with genuine Hoover spares. These are available from your local Hoover dealer or direct from Hoover. When ordering parts always quote your model number.

Microfiber Bag	H63	35600536
Pre-Motor Filter & Exhaust Filter Kit	U63	35601193
Complete Flexible Hose	D128	35601194
Carpet & Floor Extra Nozzle	G221EE	35601635
Carpet & Floor Smart Nozzle	G200SE	35601593
Hard Floor Smart Nozzle	G222SE	35601636
Easy Parquet Nozzle	G131PC	35601196
Mini Turbo Nozzle	J46	35601116

### Hoover Service

Should you require service at any time, please contact your local Hoover Service Office.

### Quality

BSI ISO 9001

Hoover's factories have been independently assessed for quality. Our products are made using a quality system which meets the requirements of ISO 9001.

### Your Guarantee

The guarantee conditions for this appliance are as defined by our representative in the country in which it is sold. Details regarding these conditions can be obtained from the dealer from whom the appliance was purchased. The bill of sale or receipt must be produced when making any claim under the terms of this guarantee.

Subject to change without notice.

## INSTRUCTIONS DE SÉCURITÉ D'UTILISATION

Cet appareil ne doit être utilisé que pour un nettoyage domestique, conformément à ce guide d'utilisation. Veuillez vous assurer que ces instructions sont parfaitement comprises avant d'utiliser l'appareil.

Ne laissez pas l'appareil branché. Eteignez et débranchez toujours l'appareil après l'avoir utilisé, ou avant de le nettoyer ou de procéder à son entretien.

Cet appareil peut être utilisé par des enfants âgés d'au moins 8 ans et par des personnes ayant des capacités physiques, sensorielles ou mentales réduites, ou n'ayant pas d'expérience ou de connaissances en la matière. Ces dernières doivent recevoir des instructions sur l'utilisation de l'appareil en toute sécurité et comprendre les risques impliqués. Les enfants ne doivent pas jouer avec l'appareil. Le nettoyage et l'entretien ne devraient pas être effectués par des enfants sans supervision.

Si le cordon d'alimentation est endommagé, arrêtez immédiatement d'utiliser l'appareil. Pour éviter les risques d'accident, un réparateur HOOVER agréé doit remplacer le cordon d'alimentation.

Maintenez les mains, pieds, vêtements lâches et cheveux à distance des brosses rotatives.

N'utilisez que les accessoires, consommables ou pièces détachées recommandés ou fournis par HOOVER.

**Electricité statique:** Certains tapis peuvent entraîner une petite accumulation d'électricité statique. Les décharges d'électricité statique ne sont pas dangereuses pour la santé.

N'utilisez pas votre appareil à l'extérieur, sur une surface humide ou pour un ramassage humide.

N'aspirez pas d'objets durs ou tranchants, d'allumettes, de cendres

chaudes, de mégots de cigarettes ou d'autres objets similaires.

Ne pulvérisez ou n'aspirez pas des liquides inflammables, des produits d'entretien liquides, des aérosols ou leurs vapeurs.

Ne marchez pas sur le cordon d'alimentation lorsque vous utilisez votre appareil et ne débranchez pas la fiche en tirant sur le cordon d'alimentation.

Ne continuez pas à utiliser votre appareil s'il semble défectueux.

**Service HOOVER:** Pour assurer l'utilisation sûre et efficace de cet appareil, nous recommandons de n'en confier l'entretien ou les réparations qu'à un réparateur HOOVER agréé.

Ne marchez pas sur le cordon d'alimentation ou ne l'enroulez pas sur vos bras ou vos jambes quand vous utilisez l'appareil.

N'utilisez pas l'appareil sur des personnes ou des animaux.

Lors du nettoyage des escaliers, ne placez pas l'appareil dans une position plus haute que la vôtre.

### Environnement

Le symbole figurant sur cet appareil indique qu'il ne peut pas être mis au rebut avec les ordures ménagères. Vous devez le déposer dans un centre de recyclage des déchets électriques et électroniques. La mise au rebut doit être effectuée conformément à la réglementation locale en matière de déchets. Pour obtenir des compléments d'information sur le traitement, la récupération et le recyclage de cet appareil, veuillez contacter votre municipalité, le service local d'élimination des ordures ménagères ou le revendeur de l'appareil.



**CE** Cet appareil est conforme aux Directives européennes 2006/95/CE, 2004/108/CE et 2011/65/UE.

HOOVER Limited, Pentrebach, Merthyr Tydfil, Mid Glamorgan, CF48 4TU, UK

## PREMIÈRE UTILISATION

- |   |  |
|---|--|
| A. Corps de l'aspirateur                          | N. Brosse pour moquette et sol dur (GP)**  |
| B. Pédale d'enroulement du cordon                 | N1. Brosse pour moquette (CA)**  |
| C. Poignée transport                              | N2. Suceur pour sol dur (HF)**   |
| D. Couvercle du filtre d'évacuation               | O. Pédale sélecteur de surface**   |
| E. Pédale de marche/arrêt                         | P. Flexible  |
| F. Tube télescopique*                             | Q. Filtre pré-moteur   |
| G. Bouton de déverrouillage du tube télescopique* | R. Filtre de sortie de l'air   |
| H. Tube standard*                                 | S. Accessoire 2-en-1   |
| I. Variateur de puissance*                        | T. Mini turbobrosse pour élimination des poils d'animaux domestiques*  |
| J. Voyant de remplissage du sac                   | U. Mini turbobrosse pour élimination des poils d'animaux domestiques, limitant la prolifération des bactéries* |
| K. Loquet de déverrouillage de la trappe          | V. Super turbobrosse*  |
| L. Variateur d'aspiration*                        | W. Brosse parquet*   |
| M. Poignée  |  |

## MONTAGE DE L'ASPIRATEUR

Sortez tous les composants de l'emballage.

- Raccordez le flexible à l'aspirateur en veillant à ce qu'il se fixe bien et se verrouille correctement. Pour le détacher : il suffit d'appuyer sur les deux boutons du tuyau et de tirer [2].
- Raccordez la poignée à l'extrémité supérieure du tube. [3].
- Raccordez la brosse moquette et sol dur à l'extrémité inférieure du tube [4].

## UTILISATION DE L'ASPIRATEUR

- Sortez le cordon d'alimentation et branchez-le sur la prise d'alimentation. Ne sortez pas le cordon au-delà du repère rouge [5].
- Réglez le tube télescopique\* à la hauteur désirée en poussant vers le haut le bouton de réglage du tube télescopique et réhaussez ou abaissez la poignée au niveau le plus confortable pour vous.
- Brosse moquette et sol dur. Appuyez sur la pédale de la brosse [7] pour sélectionner le mode d'aspiration idéal pour le type de sol.
  - Sol dur** : Les brosses sont baissées pour protéger le sol.
  - Moquette** : Les brosses sont relevées pour une aspiration en profondeur.
- Allumez l'aspirateur en appuyant sur la pédale de Marche/Arrêt. [8]
- Réglez le niveau de puissance en tournant le variateur de puissance sur le niveau désiré\*. [9]
- Réglez le variateur d'aspiration\* au niveau désiré. [10].
- Eteignez l'aspirateur après utilisation en appuyant sur pédale de Marche/Arrêt. Débranchez l'aspirateur et enroulez le cordon d'alimentation dans l'aspirateur en appuyant sur la pédale d'enroulement du cordon [11].
- Parking et rangement - Le tube peut être mis en position « parking » pour l'immobilisation temporaire pendant l'utilisation, ou en position « rangement » lorsque l'aspirateur n'est pas utilisé [12].

\*Sur certains modèles uniquement

\*\* Sur certains modèles uniquement, les brosses peuvent varier selon le modèle

## ENTRETIEN DE L'ASPIRATEUR

### Remplacement du sac à poussière

Si le voyant de remplissage du sac est rouge, veuillez vérifier le sac et le cas échéant, le remplacer.

- Soulevez le loquet de déverrouillage de la trappe [13] pour ouvrir le capot de l'aspirateur, tirez le porte-sac [14] et tirez sur la cartonnnette pour retirer le sac [15].
- Appliquez la bande autocollante, située sur la cartonnnette, sur l'ouverture du sac. Vous pouvez alors le mettre à la poubelle soigneusement.
- Ensuite, mettez en place un sac neuf en insérant la cartonnnette dans le porte-sac comme illustré sur le sac.
- Remplacez le porte-sac et fermez le capot de l'aspirateur.

Mise en garde - Le capot de l'aspirateur ne se ferme PAS si le sac à poussière et/ou le porte-sac ne sont pas mis en place dans l'aspirateur. Assurez-vous toujours qu'il y ait le sac et le porte-sac lorsque vous fermez le capot de l'aspirateur.

Attention : Le voyant de remplissage du sac peut être rouge en cas de blocage. Dans ce cas, reportez-vous à « Pour éliminer un blocage dans le système ».

### Nettoyage des filtres

Pour maintenir votre aspirateur en état de marche optimal, veuillez laver les filtres dès que vous avez remplacé au moins 5 fois votre sac.

#### Nettoyage du filtre pré-moteur :

- Soulevez le loquet de déverrouillage de la trappe [13] pour ouvrir le capot et retirez le porte-sac.
- Pour retirer le filtre de protection du moteur, retirez de l'aspirateur le cadre du filtre de protection du moteur. [16]
- Retirez le filtre. [17]
- Lavez-le à la main à l'eau tiède [20], et laissez-le sécher complètement avant de le remettre sur l'aspirateur [21].

#### Nettoyage du filtre d'évacuation sortie moteur :

- Pour retirer le filtre d'évacuation, déclipsez le couvercle du filtre d'évacuation [18] et retirez le jeu de filtres. [19]
- Lavez le filtre à la main à l'eau tiède [20], et laissez-le sécher complètement avant de le remettre sur l'aspirateur. [21].

Attention : N'utilisez pas d'eau chaude ou de détergents. Dans le cas peu probable où les filtres seraient endommagés, remplacez-les par des filtres de la marque Hoover. N'utilisez pas l'aspirateur sans sac ou sans filtres.

### Nettoyage du sac à poussière permanent\*

Pour maintenir votre aspirateur en état de marche optimal, veuillez laver le sac permanent tous les 5 vidages de sac. Éliminez l'excédent d'eau et laissez-le sécher complètement avant de le réutiliser.

## Pour éliminer un blocage dans le système

Si le voyant de remplissage du sac est allumé ou clignote :

1. Vérifiez si le sac est plein. Si c'est le cas, reportez-vous à « Pour remplacer le sac à poussière ».
2. Si ce n'est pas le cas;
  - A. Les filtres ont-ils besoin d'être nettoyés ? Si c'est le cas, voir « Pour nettoyer le filtre ».
  - B. Vérifiez qu'il n'y ait pas de blocage à un autre endroit du système. - Éliminez les blocages dans le tube télescopique ou dans le flexible à l'aide d'une tige ou d'un manche.

Mise en garde - Le voyant de remplissage passe au rouge si l'aspirateur est utilisé lorsque le sac est plein, s'il y a un blocage ou si les filtres sont sales. S'il est utilisé pendant une durée prolongée et que le voyant de remplissage du sac est rouge, un disjoncteur thermique arrête automatiquement l'aspirateur pour éviter tout risque de surchauffe. Le voyant de remplissage du sac passe au vert une fois que l'aspirateur est arrêté pour indiquer que le disjoncteur thermique a été activé. Si cela se produit, éteignez l'aspirateur, débranchez-le et faites le nécessaire pour rectifier le problème. Le coupe-circuit se réinitialisera automatiquement au bout de 30 minutes.

## ACCESSOIRES ET BROSSES

Pour obtenir la meilleure performance et efficacité énergétique<sup>#1</sup>, il est conseillé d'utiliser les bonnes brosses pour les principales opérations de nettoyage.

Ces brosses sont indiquées dans les diagrammes par les lettres **GP**, **HF** ou **CA**.

Un type de brosse **GP** peut être utilisé pour nettoyer la moquette et le sol dur.

Un type de brosse **HF** n'est adapté que pour les sols durs.

Un type de brosse **CA** n'est adapté que pour les moquettes.

Les autres brosses sont des accessoires pour les tâches de nettoyage spécialisé et ne sont conseillés que pour des usages occasionnels.

Il est important de souligner que cet aspirateur est fourni avec une étiquette énergétique comme l'exige la réglementation européenne (UE) 665/2013.

Si l'étiquette présente un cercle d'interdiction rouge à gauche et recouvre le symbole de moquette, cela signifie qu'il n'est pas approprié d'utiliser l'aspirateur sur des moquettes.

Si l'étiquette présente un cercle d'interdiction rouge à droite et recouvre le symbole de sol dur, cela signifie qu'il n'est pas approprié d'utiliser l'aspirateur sur des sols durs.

**#1 REMARQUE:** Capacité de ramassage de la poussière sur moquette, capacité de ramassage de la poussière sur sol dur et efficacité énergétique en conformité à la réglementation de la Commission (UE) 665/2013 et (UE) 666/2013.

Tous les accessoires s'adaptent à l'extrémité de la poignée ou à l'extrémité du tube. **[23]**

**Accessoire 2-en-1** – Combine deux fonctions en une seule, l'accessoire 2-en-1 peut être relié comme suceur plat. En faisant tourner l'extrémité, la pièce se transforme en brosse meuble. L'accessoire 2-en-1 se range de manière compacte à l'arrière de l'aspirateur. **[22]**

\*Sur certains modèles uniquement

\*\* Sur certains modèles uniquement, les brosses peuvent varier selon le modèle

**Suceur plat** – Pour coins et endroits difficiles d'accès.

**Brosse meuble** – Pour étagères, cadres, claviers et autres surfaces délicates. Pour sortir les brosses, appuyez sur le bouton situé sur le corps de l'accessoire.

**Mini turbobrosse pour élimination des poils d'animaux domestiques\*** – Pour les escaliers ou le nettoyage en profondeur des surfaces textiles et autres surfaces difficiles à nettoyer **[1T]**.

**Mini turbobrosse pour élimination des poils d'animaux domestiques, limitant la prolifération des bactéries\*** – Mini turbo brosse pour escaliers ou nettoyage en profondeur des surfaces textiles et autres surfaces difficiles à aspirer. **[1U]**

**Super turbobrosse\*** – Pour le nettoyage en profondeur des moquettes. **[1V]**

**Brosse parquet\*** – Pour parquet et autres sols délicats. **[1W]**

**IMPORTANT:** N'utilisez pas les MiniTurbobrosses et la Super Turbobrosse sur des tapis à franges longues, les peaux d'animaux ou les moquettes à poils de plus de 15 mm de longueur. Ne pas laisser la brosse tourner sur place.

## LISTE DES VÉRIFICATIONS À EFFECTUER

En cas de problèmes avec l'appareil, effectuez les vérifications de la liste de vérifications avant d'appeler le service après-vente Hoover.

- L'aspirateur est-il alimenté en électricité ? Vérifiez avec un autre appareil électrique.
- Le sac à poussière est-il saturé ? Veuillez vous reporter à « Entretien de l'aspirateur ».
- Le filtre est-il encrassé ? Veuillez vous reporter à « Pour nettoyer le filtre ».
- Le tube ou le flexible est-il bouché ? Veuillez vous reporter à « Pour éliminer un blocage dans le système ».
- L'aspirateur a-t-il surchauffé ? Si c'est le cas, il lui faudra environ 30 minutes pour se réinitialiser automatiquement.

## INFORMATIONS IMPORTANTES

### Pièces détachées et consommables Hoover

Toujours remplacer les pièces par des pièces détachées de la marque Hoover. Celles-ci sont disponibles auprès de votre revendeur Hoover. Lors de la commande de pièces, veuillez toujours préciser le numéro de votre modèle.

Microfiber Bag	H63	35600536
Pre-Motor Filter & Exhaust Filter Kit	U63	35601193
Complete Flexible Hose	D128	35601194
Carpet & Floor Extra Nozzle	G221EE	35601635
Carpet & Floor Smart Nozzle	G200SE	35601593
Hard Floor Smart Nozzle	G222SE	35601636
Easy Parquet Nozzle	G131PC	35601196
Mini Turbo Nozzle	J46	35601116



**Service Hoover**

Pour toute intervention à tout moment, veuillez contacter le service après-vente Hoover le plus proche.

**Qualité**

BSI ISO 9001

La qualité des usines Hoover a fait l'objet d'une évaluation indépendante. Nos produits sont fabriqués selon un système de qualité conforme à la norme ISO 9001.

**Votre garantie**

Les conditions de garantie de cet appareil sont définies par notre représentant dans le pays où il est vendu et peuvent être obtenues auprès de votre revendeur. La facture d'achat ou le reçu doivent être présentés pour toutes réclamations relevant des conditions de cette garantie.

Ces conditions peuvent être modifiées sans préavis.

## HINWEISE FÜR DIE SICHERE BENUTZUNG

Dieses Gerät ist nur zum Gebrauch im Haushalt und nicht für gewerbliche Zwecke bestimmt. Das Gerät ausschließlich gemäß den Angaben in dieser Bedienungsanleitung verwenden. Vor dem Gebrauch des Gerätes muss die vorliegende Bedienungsanleitung gelesen und vollständig verstanden worden sein.

Ziehen Sie den Netzstecker nach Gebrauch aus der Steckdose. Vor der Reinigung oder Wartung das Gerät stets ausschalten und den Netzstecker aus der Steckdose ziehen.

Dieses Gerät darf von Kindern ab 8 Jahren sowie körperlich, geistig oder sensorisch behinderten Personen bzw. Personen ohne Erfahrung und Kenntnisse im Gebrauch nur unter Aufsicht oder unter Anleitung für die sichere Benutzung und den damit verbundenen Gefahren benutzt werden. Kinder sollten nicht unbeaufsichtigt mit dem Gerät spielen. Die Reinigungs- und Wartungsarbeiten, die vom Benutzer ausgeführt werden können, dürfen von Kindern nur unter Aufsicht ausgeführt werden.

Ist das Netzkabel beschädigt, darf das Gerät NICHT mehr benutzt werden. Im Falle eines Defektes darf das Netzkabel nur durch einen autorisierten HOOVER-Kundendiensttechniker ausgetauscht werden.

Hände, Füße, lose Kleidung und Haare von den rotierenden Bürsten fernhalten.

Verwenden Sie nur von HOOVER empfohlene oder gelieferte Zubehörteile, Verbrauchsmaterialien und Ersatzteile.

**Statische Aufladung:** Manche Teppiche können die Bildung statischer Elektrizität verursachen. Die jedoch sehr gering und bei Entladung nicht gesundheitsschädlich ist.

Benutzen Sie das Gerät nicht im Freien, auf nassen Oberflächen oder zur Aufnahme von nassen Materialien.

Vermeiden Sie es, harte oder scharfe Gegenstände, Streichhölzer, heiße Asche, Zigarettenkippen oder Ähnliches aufzusaugen.

Niemals entzündliche Flüssigkeiten, Reinigungsmittel, Aerosole oder deren Dämpfe auf das Gerät sprühen oder damit aufsaugen.

Während des Saugens nicht über das Netzkabel fahren. Nicht am Kabel ziehen, um den Gerätestecker aus der Steckdose zuziehen.

Stellen Sie die Verwendung des Gerätes ein, wenn ein Defekt am Gerät vermutet wird.

**HOOVER-Kundendienst:** Um auf Dauer den sicheren und effizienten Betrieb dieses Gerätes zu gewährleisten, empfehlen wir, Wartungs- und Reparaturarbeiten ausschließlich von einem zugelassenen HOOVER-Kundendienst durchführen zu lassen.

Treten Sie sich beim Gebrauch des Gerätes nicht auf das Netzkabel und wickeln Sie es sich nicht um Arme oder Beine.

Benutzen Sie das Gerät nicht zur Reinigung von Menschen oder Tieren.

Positionieren Sie den Staubsauger bei der Reinigung von Treppen nicht oberhalb Ihres Standortes.

### Umweltschutz

Das am Gerät angebrachte Symbol gibt an, dass dieses Gerät nicht als Hausmüll behandelt werden darf, sondern an einer entsprechenden Sammelstelle für das Recycling von elektrischen und elektronischen Geräten zu entsorgen ist. Die Entsorgung ist in Übereinstimmung mit allen geltenden Vorschriften für die umweltgerechte Abfallentsorgung vorzunehmen. Ausführlichere Informationen über die Müllbehandlung und das Recycling dieses Gerätes erhalten Sie von der zuständigen Umweltbehörde, der Müllentsorgungsstelle Ihrer Kommune oder dem Händler, bei dem Sie das Gerät erworben haben.



**CE** Dieses Gerät erfüllt die Europäischen Richtlinien 2006/95/EG, 2004/108/EG und 2011/65/EG.

HOOVER Limited, Pentrebach, Merthyr Tydfil, Mid Glamorgan, CF48 4TU, UK

## BEZEICHNUNG DER TEILE

- |  |                                  |
|--|----------------------------------|
| A. Gerätechassis                                 | N. Umschaltbare Bodendüse (GP)** |
| B. Taste für autom. Kabelaufwicklung             | N1. Teppichbodendüse (CA)**      |
| C. Tragegriff                                    | N2. Hartbodendüse (HF)**         |
| D. Abdeckung für Abluftfilter                    | O. Einstellpedal für Bodenart**  |
| E. Ein-/Aus-Taste                                | P. Saugschlauch                  |
| F. Teleskoprohr*                                 | Q. Vormotorfilter                |
| G. Teleskoprohrlängenverstellung*                | R. Abluftfilter                  |
| H. Standardsteckrohr*                            | S. 2in1-Zubehör                  |
| I. Leistungsregulierung*                         | T. Miniturbodüse*                |
| J. Staubbeutelfüllanzeige                        | U. AllergyRemover-Miniturbodüse* |
| K. Entriegelung für<br>Staubbeutel fachabdeckung | V. Turbobodendüse*               |
| L. Nebenluftregelung*                            | W. Hartbodendüse*                |
| M. Handgriff                                     |                                  |

## ZUSAMMENBAU DES STAUBSAUGERS

Nehmen Sie alle Teile des Gerätes aus dem Karton.

1. Befestigen Sie das Ende des Saugschlauches am Gerätechassis, so dass es einrastet und arretiert ist. Zum Entfernen drücken Sie die zwei seitlichen Laschen am Ende des Saugschlauches und ziehen ihn heraus [2].
2. Befestigen Sie den Handgriff am oberen Ende des Saugrohrs. [3].
3. Befestigen Sie die gewünschte Bodendüse am unteren Rohrende [4].

## GEBRAUCH DES STAUBSAUGERS

1. Ziehen Sie das Netzkabel vorsichtig aus dem Gerät und schließen es an einer Steckdose an. Ziehen Sie das Netzkabel nie weiter, als bis zur roten Markierung heraus [5].
2. Stellen Sie das Teleskoprohr\* auf die gewünschte Länge ein, indem Sie den Taste am Saugrohr nach oben schieben und den Griff auf die Höhe einstellen, die zur Reinigung für Sie am bequemsten ist [6].
3. Umschaltbare Bodendüse. Das Pedal an der Düse drücken [7], um die gewünschte Bodenart auszuwählen.  
**Hartböden:** Der Bürstenkranz wird zum Schutz des Bodens abgesenkt.  
**Teppichböden:** Besonders gründliche Reinigung durch Anheben der Bürsten.
4. Schalten Sie das Gerät ein, indem Sie die Ein-/Aus-Taste betätigen. [8]
5. Stellen Sie die gewünschte Saugleistung über die Leistungsregulierung (Drehrad) am Gerätechassis ein\*. [9]
6. Stellen Sie den Nebenluftregler\* auf die gewünschte Stufe ein. [10].
7. Schalten Sie das Gerät nach Gebrauch durch erneutes Betätigen der Ein-/Aus-Taste aus. Ziehen Sie den Netzstecker aus der Steckdose und drücken die Taste für die Kabelaufwicklung, so dass das Netzkabel wieder eingezogen wird [11].
8. Abstellen und Parken - Das Gerät verfügt über zwei Parkpositionen, an denen das Teleskoprohr während kurzer Saugpausen oder nach Beendigung des Saugens befestigt werden kann [12]. Das Teleskoprohr vor dem längeren Aufbewahren bis auf die minimale Länge zusammenfahren.

\*Geräteausstattung ist modellabhängig

\*\* Nur bei bestimmten Modellen, Düsen können modellabhängig sein

## WARTUNG DES STAUBSAUGERS

### Ersetzen des Staubbeutels

Wenn die Staubbeutel füllanzeige rot aufleuchtet, überprüfen Sie bitte den Staubbeutel und ersetzen ihn gegebenenfalls.

1. Heben Sie die Verriegelung der Staubbeutel fachabdeckung [13] an, um sie zu öffnen. Entnehmen Sie den kompletten Beutelhalter mit dem Beutel[14] und ziehen dann den Staubbeutel vorsichtig aus der Halterung heraus [15].
2. Bringen Sie den abziehbaren Aufkleber\* auf der Beutelöffnung an, um ihn zu versiegeln. Den vollen Staubbeutel dann vorsichtig entsorgen.
3. Neuen Staubbeutel wie darauf abgebildet falten und mit der Manschette in den Beutelhalter einsetzen.
4. Setzen Sie den Staubbeutelhalter wieder ein und schließen die Staubbeutel fachabdeckung.

Achtung - Die Staubbeutel fachabdeckung lässt sich nicht schließen, wenn der Staubbeutel bzw. der Staubbeutelhalter nicht oder nicht korrekt eingesetzt sind. Achten Sie immer darauf, dass beim Schließen der Staubbeutel fachabdeckung der Staubbeutel und der Staubbeutelhalter eingesetzt sind.

Achtung: Ist die Staubbeutel füllanzeige rot, handelt es sich u.U. auch um eine Verstopfung des Saugtraktes. Siehe dazu "Verstopfung des Saugtraktes beheben".

### Reinigung der Filter

Waschen Sie zur Aufrechterhaltung der optimalen Leistungsfähigkeit Ihres Gerätes die Filter spätestens nach jedem fünften Wechsel des Staubbeutels gründlich aus oder tauschen diese.

### Reinigung des Vormotorfilters:

1. Heben Sie die Freigabetaste für die Staubbeutel fachabdeckung [13] an, um sie zu öffnen und den Staubbeutelhalter herauszunehmen.
2. Ziehen Sie den Schutzrahmen vor dem Filter vorsichtig nach oben aus der Führung, um den Vormotorfilter herauszunehmen. [16]
3. Entfernen Sie den Filter aus der Halterung. [17]
4. Mit lauwarmen Wasser [20] reinigen, vollständig trocknen lassen und zusammen mit dem Rahmen wieder in den Staubsauger einsetzen [21].

### Reinigung des Abluftfilters:

1. Entfernen Sie die Abdeckung des Abluftfilters [18] und nehmen den Abluftfilter heraus. [19]
2. Reinigen Sie den Filter mit lauwarmem Wasser [20]. Bevor Sie ihn wieder in den Staubsauger einsetzen, lassen Sie ihn bitte unbedingt vollständig trocknen. [21].

Achtung: Verwenden Sie kein heißes Wasser und keine Reinigungsmittel. Sollte einer der Filter beschädigt sein, bitte nur gegen einen Hoover-Originalfilter austauschen. Nicht versuchen, das Gerät ohne eingesetzten Staubbeutel oder Filter in Betrieb zu nehmen.

### Reinigung des Permanentstaubbeutels\*

Die optimale Leistung erzielen Sie, wenn Sie den Permanentstaubbeutel spätestens nach jedem fünften Leeren gründlich auswaschen. Entfernen Sie überschüssiges Wasser aus dem Filter und lassen ihn vor erneuter Verwendung gründlich trocknen.

## Verstopfung des Saugtraktes beheben

Wenn die Staubbeutelfüllanzeige rot aufleuchtet:

1. Prüfen, ob der Beutel voll ist. Wenn ja, siehe "Auswechseln des Staubbeutels".
2. Ist der Staubbeutel nicht voll:
  - A. Müssen die Filter gereinigt werden? Falls ja, siehe „Reinigung der Filter“.
  - B. Prüfen Sie, ob der Saugtrakt an einer anderen Stelle verstopft ist. - Entfernen Sie Verstopfungen im Teleskoprohr oder im Saugschlauch mit einem Stab.

Achtung - Die Staubbeutelfüllanzeige leuchtet rot auf, wenn das Gerät mit vollem Beutel benutzt wird, eine Verstopfung vorliegt oder die Filter zugesetzt sind. Wird das Gerät über längere Zeit bei roter Staubbeutelfüllanzeige benutzt, schaltet ein automatischer Überhitzungsschutz den Staubsauger ab, um eine Überhitzung zu vermeiden. Die Staubbeutelfüllanzeige wechselt nach Ausschalten des Staubsaugers zu grün, um anzuzeigen, dass der Überhitzungsschutz aktiviert ist. In diesem Fall das Gerät ausschalten, den Netzstecker ziehen und den Fehler beheben. Der Überhitzungsschutz schaltet sich nach ca. 30 Minuten automatisch ab.

## ZUBEHÖR UND DÜSEN

Um die beste Leistung und Energieeffizienz zu erzielen<sup>#1</sup> wird empfohlen, dass die richtigen Düsen für den Hauptreinigungsbetrieb verwendet werden.

Die Düsen werden in den Diagrammen mit den Bezeichnungen **GP**, **HF** oder **CA** gekennzeichnet.

Die Düse mit der Bezeichnung **GP** kann zur Reinigung von Teppichen und Hartböden verwendet werden.

Die Düse mit der Bezeichnung **HF** ist nur für die Reinigung von Hartböden geeignet.

Die Düse mit der Bezeichnung **CA** ist nur für die Reinigung von Teppichen geeignet.

Die anderen Düsen sind Zubehör für besondere Reinigungsaufgaben und werden nur für die fallweise Benutzung empfohlen.

Es ist wichtig, darauf hinzuweisen, dass dieser Staubsauger mit einem Etikett zur Energieverbrauchskennzeichnung gemäß Europäischer Richtlinie (EU) 665/2013 geliefert wird (Energielevel).

Wenn das Etikett links auf dem Teppichsymbol einen roten Verbotskreis aufweist, bedeutet dies, dass der Staubsauger nicht für die Reinigung von Teppichböden geeignet ist.

Wenn das Etikett rechts auf dem Hartbodensymbol einen roten Verbotskreis aufweist, bedeutet dies, dass der Staubsauger nicht für die Reinigung von Hartböden geeignet ist..

<sup>#1</sup>**HINWEIS:** Die Werte für die Staubaufnahmekapazität auf Teppichen, Staubaufnahmekapazität auf Hartböden und Energieeffizienz wurden in Übereinstimmung mit den Verordnungen der Kommission (EU) 665/2013 und (EU) 666/2013 ermittelt.

Alle Zubehörteile können direkt am Handgriff oder am Teleskoprohr befestigt werden. **[23]**

**2in1-Zubehör** – Das 2in1-Zubehör kombiniert zwei Funktionen und kann zum Einen als Fugendüse verwendet werden. Wenn Sie das Endstück drehen, wird daraus ein Möbelpinsel. Das 2in1-Zubehör kann an der Rückseite des Staubsaugers verstaut werden, damit es stets zur Hand ist. **[22]**

\*Geräteausstattung ist modellabhängig

\*\* Nur bei bestimmten Modellen, Düsen können modellabhängig sein

**Fugendüse** – Für Ecken und schwer erreichbare Bereiche.

**Möbelpinsel** – Für Bücherregale, Bilderrahmen, Tastaturen und andere empfindliche Bereiche. Zum Verlängern der Bürsten die Taste am Zubehöriteil drücken und die Bürsten in die gewünschte Position schieben.

**Miniturbodüse\*** – Die Miniturbodüse eignet sich speziell zur Reinigung von Matratzen und Polstermöbeln **[1T]**.

**AllergyRemover-Miniturbodüse\*** – Die Miniturbodüse eignet sich speziell zur Reinigung von Matratzen und Polstermöbeln. **[1U]**

**Turbobodendüse\*** – Benutzen Sie die Turbobodendüse zur besonders gründlichen Reinigung von Teppichböden. **[1V]**

**Hartbodendüse\*** – Für alle empfindlichen Bodenbeläge. **[1W]**

**WICHTIG:** Die Miniturbo- und Turbobodendüse nicht auf Teppichen mit langen Fransen, auf Tierfellen und auf über 15 mm hohem Teppichflor benutzen. Halten Sie die Düse bei sich drehender Bürstwalze nicht still.

## PRÜFLISTE ZUR FEHLERSUCHE

Bitte prüfen Sie die einzelnen Punkte dieser Prüfliste, bevor Sie sich bei einem Problem an Ihre zuständige Hoover-Kundendienststelle wenden.

- Ist die Stromversorgung in Ordnung? Bitte überprüfen Sie sie mit einem anderen elektrischen Gerät.
- Ist der Staubbehälter voll? Siehe „Wartung des Staubsaugers“.
- Ist der Filter blockiert? Siehe „Wartung des Staubsaugers“
- Ist der Saugschlauch oder die Düse verstopft? Siehe „Verstopfung des Saugtraktes beheben“
- Ist der Staubsauger überhitzt? Falls ja, dauert es ca. 30 Minuten, bis der Überhitzungsschutz sich automatisch abschaltet.

## WICHTIGE INFORMATIONEN

### Hoover Original-Ersatzteile und Verbrauchsteile

Verwenden Sie stets Original-Ersatzteile von Hoover. Diese sind über den Hoover-Kundendienst erhältlich. Geben Sie bei der Bestellung von Ersatzteilen bitte stets die komplette Matrikelnummer (Plakette auf der Unterseite des Gerätes) Ihres Staubsaugermodells an.

Microfiber Bag	H63	35600536
Pre-Motor Filter & Exhaust Filter Kit	U63	35601193
Complete Flexible Hose	D128	35601194
Carpet & Floor Extra Nozzle	G221EE	35601635
Carpet & Floor Smart Nozzle	G200SE	35601593
Hard Floor Smart Nozzle	G222SE	35601636
Easy Parquet Nozzle	G131PC	35601196
Mini Turbo Nozzle	J46	35601116



**Hoover-Kundendienst**

Zur Wartung oder Reparatur Ihres Produktes wenden Sie sich bitte an Ihre zuständige Hoover-Kundendienststelle.

**Qualität**

BSI ISO 9001

Die Hoover-Werke wurden unabhängig voneinander jeweils einer Qualitätsprüfung unterzogen. Unsere Produkte werden nach einem Qualitätsstandard hergestellt, der die Anforderungen von ISO 9001 erfüllt.

**Garantieerklärung**

Die Garantiebestimmungen für dieses Gerät entsprechen den Richtlinien des Landes, in dem Sie das Gerät erworben haben. Weitere Einzelheiten dazu erhalten Sie vom Händler, bei dem Sie das Gerät erworben haben oder aus dem roten Garantieheft, das der Verpackung beiliegt. Bitte bewahren Sie den Kaufbeleg sorgfältig auf, denn er wird für eventuell auftretende Garantieansprüche benötigt.

Änderungen vorbehalten.

## ISTRUZIONI PER UN USO SICURO

Questo apparecchio deve essere utilizzato esclusivamente in ambito domestico per interventi di pulizia, secondo le istruzioni riportate nel presente documento. Accertarsi di aver compreso le istruzioni prima di mettere in funzione l'apparecchio.

Non lasciare l'apparecchio collegato alla corrente. Prima di procedere alla pulizia dell'apparecchiatura o di effettuare qualsiasi operazione di manutenzione, spegnere sempre l'apparecchio e scollegare la spina.

Questo apparecchio può essere utilizzato da bambini di almeno 8 anni e da persone dalle ridotte capacità fisiche, sensoriali o mentali o mancanza di esperienza e conoscenza, solo se sono controllati od istruiti all'uso dell'apparecchio in modo sicuro e in piena consapevolezza del pericolo che potrebbe presentarsi. I bambini non possono giocare con l'apparecchio. Pulizia e manutenzione non possono essere eseguite da bambini senza sorveglianza da parte di una persona responsabile.

Se il cavo di alimentazione è danneggiato, interrompere immediatamente l'utilizzo dell'apparecchio. Per evitare pericoli, il cavo di alimentazione dovrà essere sostituito da un tecnico del servizio assistenza autorizzato HOOVER.

Tenere le mani, i piedi, i capi di abbigliamento non attillati e i capelli lontani dalle spazzole rotanti.

Utilizzare solo accessori o parti di consumo e di ricambio consigliati o forniti da HOOVER.

**Elettricità statica:** Alcuni tappeti possono produrre un piccolo accumulo di elettricità statica. Le cariche di elettricità statica non sono pericolose per la salute.

Non utilizzare l'apparecchio all'aperto, su superfici bagnate o per aspirare liquidi.

Non aspirare oggetti solidi o appuntiti, fiammiferi, ceneri calde, mozziconi di sigaretta o similari.

Non vaporizzare o aspirare liquidi infiammabili, detergenti, aerosol o i loro vapori.

Non calpestare il cavo di alimentazione durante l'utilizzo dell'apparecchio o scollegare la spina dalla presa tirando il cavo di alimentazione.

Non continuare a utilizzare l'apparecchio in caso di presunto guasto.

**Assistenza HOOVER:** Per garantire un funzionamento sempre sicuro ed efficiente dell'apparecchiatura, si consiglia di fare eseguire eventuali interventi di assistenza o di riparazione dai tecnici del servizio assistenza autorizzato HOOVER.

Non calpestare il cavo di alimentazione o avvolgerlo intorno alle braccia o alle gambe mentre si usa l'apparecchio.

Non utilizzare l'apparecchio per l'igiene della persona o degli animali.

Non collocare l'apparecchio in una posizione più bassa rispetto alla propria quando si puliscono delle scale.

### Ambiente:

Il simbolo apposto sul prodotto indica che lo stesso non può essere smaltito come i normali rifiuti domestici, bensì deve essere portato al punto di raccolta o al centro di riciclaggio delle apparecchiature elettriche ed elettroniche più vicino. Lo smaltimento deve essere eseguito in conformità alle normative locali vigenti per la salvaguardia dell'ambiente e lo smaltimento dei rifiuti. Per ulteriori informazioni sul trattamento, il recupero e il riciclaggio di questo prodotto, contattare l'unità territoriale competente per il servizio di smaltimento o il negozio in cui il prodotto è stato acquistato.



**CE** Questo prodotto è conforme alle Direttive Europee 2006/95/EC, 2004/108/EC e 2011/65/EC.

HOOVER Limited, Pentrebach, Merthyr Tydfil, Mid Glamorgan, CF48 4TU, UK

## DESCRIZIONE DELL'ASPIRAPOLVERE

- |   |  |
|---|--|
| A. Corpo principale dell'apparecchio                      | N. Spazzola tappeti e pavimenti (GP)**                           |
| B. Pulsante a pedale di riavvolgimento del cavo           | N1. Spazzola per tappeti (CA)**                                  |
| C. Impugnatura da trasporto                               | N2. Spazzola per pavimenti duri (HF)**                           |
| D. Coperchio del filtro in uscita                         | O. Selettore tipo pavimento**                                    |
| E. Pulsante a pedale Accensione/Spengimento               | P. Tubo flessibile   |
| F. Tubo telescopico*                                      | Q. Filtro Pre-Motore   |
| G. Pulsante di sgancio tubo flessibile*                   | R. Filtro di scarico   |
| H. Tubo standard*   | S. Accessorio 2 in 1   |
| I. Rotella controllo potenza variabile*                   | T. Mini turbospazzola per rimuovere i peli di animali domestici* |
| J. Indicatore di controllo sacco pieno                    | U. Mini turbospazzola per rimuovere gli allergeni*               |
| K. Levetta sblocco sportello contenitore raccogli polvere | V. Spazzola Grand Turbo*   |
| L. Regolatore forza aspirante*                            | W. Spazzola Parquet*   |
| M. Impugnatura  |  |

## MONTAGGIO DELL'APPARECCHIO

Disimballare tutti i componenti.

- Collegare il tubo flessibile al corpo principale dell'apparecchio, assicurandosi che si agganci e si blocchi in posizione. Per disinserire il tubo, è sufficiente premere i due pulsanti all'estremità del tubo flessibile e tirare per estrarlo [2].
- Collegare l'impugnatura all'estremità superiore del tubo. [3].
- Collegare la spazzola per tappeti e pavimenti all'estremità inferiore del tubo [4].

## UTILIZZO DELL'APPARECCHIO

- Estrarre il cavo di alimentazione e inserirlo in una presa di corrente. Non tirare il cavo oltre l'indicatore rosso [5].
- Regolare il tubo telescopico\* all'altezza desiderata spostando verso l'alto il pulsante di sblocco\* del tubo telescopico e sollevando o abbassando l'impugnatura fino a trovare la posizione di pulizia più confortevole [6].
- Spazzola per tappeti e pavimenti. Premere il pedale sulla spazzola [7] per selezionare la modalità di pulizia ideale per il tipo di pavimento.
  - Pavimenti duri:** le setole sono abbassate per proteggere il pavimento
  - Tappeti:** le setole sono sollevate per pulire in profondità
- Accendere l'apparecchio premendo il pulsante a pedale di accensione/spengimento sul corpo principale dell'aspirapolvere. [8]
- Regolare il livello di potenza desiderato ruotando il selettore di potenza variabile\*. [9]
- Regolare il regolatore\* di forza aspirante sul livello desiderato. [10].
- Dopo l'uso, spegnere l'apparecchio premendo il pulsante a pedale di accensione/spengimento. Staccare la spina e premere il pulsante a pedale di riavvolgimento del cavo per riavvolgere il cavo di alimentazione nell'aspirapolvere [11].
- Stazionamento e parcheggio - È possibile parcheggiare il tubo temporaneamente durante l'uso, oppure riporlo quando l'apparecchio non viene utilizzato [12].

\*Solo su alcuni modelli

\*\* Solo su alcuni modelli, le spazzole possono variare secondo il modello

## MANUTENZIONE DELL'APPARECCHIO

### Sostituzione del sacco raccogliatore

Se l'indicatore di controllo sacco pieno è rosso, o se comunque risulta necessario sostituire il sacco:

- Sollevare la levetta sblocco sportello contenitore raccogli polvere [13] per aprire lo sportello e tirare il portasacco [14] e il collo del sacco per rimuovere il sacco stesso [15].
- Applicare all'entrata del sacco l'autoadesivo che si trova sul collo del sacco. Il sacco pieno dovrà essere smaltito con cura e secondo le norme vigenti.
- Inserire un nuovo sacco come mostrato in figura e montare il collo del sacco nel portasacco.
- Rimontare il portasacco e chiudere lo sportello.

**Avvertenza** - Lo sportello NON si chiuderà, finché il sacco raccogli polvere e / o il portasacco non verranno riassemblati nell'apparecchio. Quando si chiude lo sportello, assicurarsi sempre che il sacco e il portasacco siano inseriti.

**Nota:** La spia di verifica sacco può essere rossa se si è verificata un'ostruzione. In questo caso, vedere la sezione "Rimozione di un'ostruzione dal sistema".

### Pulitura dei filtri

Per avere sempre ottime prestazioni, lavare i filtri ogni 5 sostituzioni del sacco.

#### Pulitura del filtro pre-motore:

- Sollevare la levetta di sblocco sportello [13] per aprirlo e rimuovere il portasacco.
- Per rimuovere il filtro pre-motore far scorrere il telaio del filtro premotore estraendolo dall'aspirapolvere. [16]
- Rimuovere il filtro dal portafiltro. [17]
- Lavarlo con acqua tiepida [20] e lasciare che si asciughi completamente prima di reinserirlo nell'aspiratore [21].

#### Pulitura del filtro in uscita:

- Per rimuovere il filtro in uscita, aprire il coperchio dello stesso [18] e togliere il gruppo filtro. [19]
- Lavarlo con acqua tiepida [20] e lasciare che si asciughi completamente prima di reinserirlo nell'aspiratore. [21].

**NOTA:** Non utilizzare acqua bollente o detersivi. Se i filtri vengono danneggiati, sostituirli con ricambi originali Hoover. Non tentare di utilizzare l'apparecchio senza sacco o senza filtro.

### Pulitura del sacco raccogli polvere permanente\*

Per mantenere prestazioni ottimali nel tempo, consigliamo di lavare con acqua tiepida il sacco permanente ogni 5 riempimenti del sacco. Eliminare l'acqua in eccesso e lasciare asciugare completamente prima del riutilizzo.

### Rimozione di un'ostruzione dal sistema

Se l'indicatore di controllo del sacco è illuminato o lampeggia:

- Controllare se il sacco raccogliatore è pieno. Vedere la sezione "Sostituzione del sacco raccogliatore".
- Se non è pieno, controllare se:
  - Potrebbe essere necessario pulire i filtri. In questo caso, vedere la sezione "Pulizia del filtro".
  - Controllare che non vi siano altre ostruzioni nel sistema. - Utilizzare un'asta o un paletto per rimuovere eventuali ostruzioni dal tubo telescopico o dal tubo flessibile.

**Avvertenza** - l'indicatore di controllo del sacco diventerà di colore rosso se l'aspirapolvere viene utilizzato con il sacchetto pieno, se è presente un'ostruzione o se i filtri sono sporchi. Se l'aspirapolvere viene utilizzato per un periodo di tempo prolungato con l'indicatore di controllo del sacchetto rosso, la funzione di arresto termico spegnerà l'apparecchio per impedire che si verifichi un surriscaldamento. Una volta spento l'aspirapolvere, l'indicatore di controllo del sacchetto diventerà di colore verde per segnalare che è stato attivato l'arresto termico. In questi casi, spegnere l'apparecchio, scollegare la spina e risolvere il problema. Dopo lo spegnimento, il reset automatico richiede circa 30 minuti.

## ACCESSORI E SPAZZOLE

Per ottenere prestazioni ottimali ed efficienza energetica<sup>#1</sup>, è consigliato usare le spazzole appropriate per le principali operazioni di pulizia.

Queste spazzole sono indicate nel diagramma con le lettere **GP**, **HF** o **CA**.

La spazzola di tipo **GP** è adatta per pulire sia tappeti che pavimenti duri.

La spazzola di tipo **HF** è adatta solo per la pulizia dei pavimenti duri.

La spazzola di tipo **CA** è adatta solo per la pulizia dei tappeti.

Le altre spazzole sono accessorie per operazioni di pulizia speciale e sono raccomandate solo per usi occasionali.

È importante notare che questo aspirapolvere è provvisto di Etichetta Energetica conformemente alla Normativa Europea (EU) 665/2013.

Se l'etichetta riporta a sinistra un cerchio rosso di divieto che ricopre il simbolo del tappeto, significa che l'aspirapolvere non è adatto per la pulizia dei tappeti.

Se l'etichetta riporta a destra un cerchio rosso di divieto che ricopre il simbolo di pavimenti duri, significa che l'aspirapolvere non è adatto per la pulizia dei pavimenti duri.

**#1 NOTA:** Capacità di raccolta della polvere sui tappeti, capacità di raccolta della polvere sui pavimenti duri ed efficienza energetica conformi alle Normative della Commissione (EU) 665/2013 e (EU) 666/2013.

Tutti gli accessori possono essere inseriti all'estremità dell'impugnatura o all'estremità del tubo. **[23]**

**Bocchetta 2 in 1** – Combina due funzioni in un unico dispositivo, la bocchetta 2 in 1 può essere collegata come bocchetta per fessure. Ruotando il pezzo finale si converte in una spazzola a pennello. La bocchetta 2 in 1 può essere comodamente riposta nella parte posteriore dell'apparecchio. **[22]**

**Bocchetta per fessure** – per angoli e punti difficili da raggiungere.

**Spazzola a pennello** – per librerie, cornici, tastiere e altre superfici delicate. Per estendere le setole, premere il pulsante posto sul corpo dell'accessorio.

**Mini turbospazzola per rimuovere i peli di animali domestici\*** – Utilizzare la mini turbospazzola per la pulizia profonda di imbottiti e di altre aree difficili da pulire **[1T]**.

**Mini turbospazzola per rimuovere gli allergeni\*** – utilizzare la mini turbospazzola per la pulizia profonda di superfici tessili e imbottiti e per altre aree difficili. **[1U]**

**Spazzola Grand Turbo\*** – per una pulizia profonda di tappeti e moquette. **[1V]**

**Spazzola Parquet\*** – Per pavimenti in legno e altri pavimenti delicati. **[1W]**

**IMPORTANTE:** non utilizzare la Mini turbospazzola/ Spazzola Grand Turbo su

\*Solo su alcuni modelli

\*\* Solo su alcuni modelli, le spazzole possono variare secondo il modello

tappeti a frange, pellicce animali e moquette con pelo di spessore superiore a 15 mm. Non tenere ferma la spazzola sul tappeto con il rullo in rotazione.

## CHECKLIST UTENTE

In caso di problemi, completare questa semplice checklist utente prima di chiamare il centro assistenza Hoover.

- La presa elettrica a cui è collegato l'apparecchio è funzionante? Verificare con un altro elettrodomestico
- Il sacco raccogliore è pieno? Vedere "Manutenzione dell'apparecchio"
- Il filtro è ostruito? Vedere la sezione "Pulizia del filtro"
- Il tubo flessibile o la bocchetta sono ostruiti? Vedere la sezione "Rimozione di un'ostruzione dal sistema"
- L'aspirapolvere si è surriscaldato? In questo caso, il reset automatico richiede circa 30 minuti

## INFORMAZIONI IMPORTANTI

### Parti di ricambio e di consumo Hoover

Utilizzare sempre parti di ricambio originali Hoover, che è possibile acquistare dal distributore locale Hoover o direttamente dalla Hoover. Quando si ordinano delle parti di ricambio, ricordarsi sempre di fornire il numero di modello dell'apparecchio utilizzato.

Microfiber Bag	H63	35600536
Pre-Motor Filter & Exhaust Filter Kit	U63	35601193
Complete Flexible Hose	D128	35601194
Carpet & Floor Extra Nozzle	G221EE	35601635
Carpet & Floor Smart Nozzle	G200SE	35601593
Hard Floor Smart Nozzle	G222SE	35601636
Easy Parquet Nozzle	G131PC	35601196
Mini Turbo Nozzle	J46	35601116

### Assistenza Hoover

Per richiedere assistenza in qualsiasi momento, contattare il centro assistenza Hoover più vicino.

### Qualità

BSI ISO 9001

La qualità degli stabilimenti Hoover è stata sottoposta a valutazione indipendente. I nostri prodotti vengono realizzati mediante un sistema di qualità che soddisfa i requisiti ISO 9001.

### Regolamento per la garanzia

Le condizioni di garanzia relative a questo apparecchio sono definite dal rappresentate Hoover nel Paese di vendita. Per conoscere in dettaglio le condizioni, rivolgersi al distributore Hoover presso il quale l'apparecchio è stato acquistato. Per ogni contestazione ai sensi dei termini della garanzia, è necessario mostrare la fattura o un documento di acquisto equipollente.

Queste condizioni potrebbero venire modificate senza obbligo di preavviso.



## INSTRUCTIES VOOR VEILIG GEBRUIK

Dit toestel mag enkel gebruikt worden voor reiniging in het huis, zoals beschreven in deze gebruikersgids. Zorg ervoor dat u de instructies volledig begrijpt voordat u het apparaat in gebruik neemt.

Laat het toestel nooit ingeplugd. Schakel het toestel altijd uit en verwijder de plug uit het stopcontact na gebruik, of voor het reinigen van het toestel of elke onderhoudshandeling.

Dit toestel kan gebruikt worden door kinderen vanaf 8 jaar en ouder en personen met verminderde lichamelijke, zintuiglijke of mentale capaciteiten of een gebrek aan ervaring of kennis indien ze toezicht of onderricht gehad hebben betreffende het veilig gebruik van het toestel en het begrip van de gevaren in kwestie. Kinderen mogen niet met het toestel spelen. Reinigings- en gebruiksonderhoud mag niet uitgevoerd worden door kinderen zonder toezicht.

Indien het stroomsnoer beschadigd is, onmiddellijk stoppen met het toestel te gebruiken. Om veiligheidsgevaar te vermijden, mag enkel een erkende HOOVER dienstingenieur de stroomkabel vervangen.

Houd hand, voeten, losse kleding en haar uit de buurt van roterende borstels.

Gebruik enkel verlengstukken, verbruiksartikelen of reserveonderdelen aanbevolen of geleverd door HOOVER.

**Statische elektriciteit:** Sommige tapijten kunnen een kleine opbouw van statische elektriciteit veroorzaken. Ontladingen van statische elektriciteit zijn onschadelijk voor uw gezondheid.

Gebruik je toestel nooit buiten of op natte oppervlaktes of om nattigheid op te pikken.

Raap geen harde of scherpe objecten op, lucifers, hete as, sigaret of andere gelijkaardige items.

Spuit niet met ontvlambare vloeistoffen op, reinigingsvloeistoffen, aerosols of hun dampen en raap ze niet op.

Loop niet over het stroomsnoer wanneer je het toestel gebruikt of de plug niet verwijderen door aan het stroomsnoer te trekken.

Blijf dit toestel niet gebruiken wanneer het defect blijkt.

**HOOVER dienstverlening:** Om de blijvende veilige en efficiënte werking van dit toestel te verzekeren, bevelen we aan dat alle herstellingen uitgevoerd worden door een erkende HOOVER dienstingenieur.

Niet op het snoer staan op of het snoer rond armen of benen winden terwijl je het toestel gebruikt.

Gebruik het toestel niet om dieren of mensen te reinigen.

Plaats het toestel niet boven je tijdens het reinigen van de trap.

### Het milieu

Het symbool op dit toestel duidt aan dat dit toestel niet mag behandeld worden als huishoudelijk afval. In de plaats daarvan moet het overhandigd worden aan het geschikte verzamelpunt voor de recyclage van elektrische en elektronische uitrusting. U moet het toestel weggooien in overeenstemming met de lokale voorschriften voor afvalverwerking. Voor meer gedetailleerde informatie over behandeling, herstel en recyclage van dit toestel, gelieve je lokale stadskantoor te contacteren, je dienst voor huishoud- en afvalverwerking of de winkel waar je het toestel kocht.



**CE** Dit toestel voldoet aan de Europese Richtlijnen 2006/95/EC, 2004/108/EC en 2011/65/EU.

HOOVER Limited, Pentrebach, Merthyr Tydfil, Mid Glamorgan, CF48 4TU, UK

## ALLES OVER UW STOFZUIGER

- |                                       |  |
|---------------------------------------|--|
| A. Hoofdstofzuiger                    | N. Tapijt- en vloermondstuk (GP)**           |
| B. Knop oprolmechanisme               | N1. Tapijt Mondstuk (CA)**                   |
| C. Draaggreep                         | N2. Mondstuk voor harde vloer (HF)**         |
| D. Deksel uitlaatfilter               | O. Vloer keuze knop**                        |
| E. Aan/uit-knop                       | P. Slang                                     |
| F. Telescopische buis*                | Q. Pre-motor filter                          |
| G. Ontgrendelknop telescopische buis* | R. Uitlaatfilter                             |
| H. Standaard buis*                    | S. 2 in 1 hulpstuk                           |
| I. Knop variabele zuigkracht*         | T. Miniturbozuigmond voor dierenharen*       |
| J. Indicator zakcontrole              | U. Miniturbozuigmond voor allergene stoffen* |
| K. Ontgrendeling klep van stofzak     | V. Grand Turbozuigmond*                      |
| L. Zuigkrachtregeling*                | W. Parketzuigmond*                           |
| M. Handvat                            |  |

## DE STOFZUIGER MONTEREN

Verwijder alle onderdelen uit de verpakking.

1. Steek de slang in de stofzuiger en klik deze erin vast. Verwijderen: druk de twee knoppen op het slanguiteinde in en trek de slang eruit [2].
2. Bevestig de handgreep op de bovenzijde van de buis. [3].
3. Sluit de onderkant van de buis aan op de zuigmond voor tapijten en vloeren [4].

## DE STOFZUIGER GEBRUIKEN

1. Trek het netsnoer uit de stofzuiger en steek de stekker in het stopcontact. Trek het snoer niet verder uit dan de rode markering [5].
2. Stel de telescopische buis\* in op de gewenste hoogte door de telescopische\* ontgrendelknop naar boven te bewegen en het handvat naar boven of naar beneden te bewegen tot hij in de meest comfortabele stand staat [6].
3. Tapijt- en vloermondstuk. Duw het pedaal op de zuigmond [7] om de ideale zuigstand te selecteren voor het vloertype.
  - Harde vloer:** De borstels wijzen naar omlaag en beschermen zo de vloer.
  - Tapijt:** Met omhooggetrokken borstels voor de grondigste reiniging
4. Zet de stofzuiger aan door op de aan/uit-knop op de stofzuiger zelf te drukken. [8]
5. Stel de gewenste zuigkracht in met de draaiknop voor variabele zuigkracht\*. [9]
6. Zet de zuigkrachtregelaar\* op het gewenste niveau. [10].
7. Schakel de stofzuiger na gebruik uit door op de aan/uit-knop te drukken. Trek de stekker uit het stopcontact en druk op de knop van de oprolautomaat. Nu rolt het netsnoer zichzelf weer op in de stofzuiger [11].
8. Parkeren en opslaan - De telezooimbuis kan tijdens het gebruik tijdelijk worden geparkeerd, of kan in de opslagpositie worden gezet wanneer de buis niet wordt gebruikt [12].

\*Alleen bepaalde modellen

\*\*Solo su alcuni modelli, le spazzole possono variare secondo il modello

## ONDERHOUD STOFZUIGER

### De stofzuigerzak vervangen

Als de zakcontrole-indicator rood is, controleer dan of de zak vol is en vervang deze indien nodig.

1. Trek de ontgrendeling van de klep van de stofzak [13] omhoog om de klep te openen, trek aan de stofzakhouder [14] en aan de kraag van de stofzak om de zak te verwijderen [15].
2. Breng de afsluitsticker, die op de kraag van de stofzak zit, aan op de opening van de stofzak. De volle stofzuigerzak moet op de juiste manier en met zorg worden weggegooid.
3. Vouw een nieuwe zak volgens de aanwijzingen die op de zak zelf staan en breng de hals van de zak aan in de zakhouder.
4. Plaats de stofzakhouder terug en sluit de klep van de stofzak.

Waarschuwing - De klep van de stofzak sluit NIET zonder dat de stofzak en/of de stofzakhouder op de stofzuiger zijn aangebracht. Controleer altijd of de stofzak en de stofzakhouder aanwezig zijn als u de klep van de stofzak sluit.

Niet vergeten: De stofstandindicator kan ook rood zijn bij een verstopping. Raadpleeg in dat geval 'Verstoppingen uit het systeem verwijderen'.

### Filters reinigen

Voor optimale prestaties van uw stofzuiger wast u de filters na iedere 5 maal dat u de stofzuigerzak hebt vervangen.

#### Het pre-motorfilter reinigen:

1. Trek de ontgrendeling van de klep van de stofzak [13] omhoog om de klep te openen en verwijder de stofzakhouder.
2. Om het pre-motorfilter te verwijderen, schuift u het frame van het pre-motorfilter uit de stofzuiger. [16]
3. Verwijder het filter uit de houder. [17]
4. Was het in lauw water [20] en laat het volledig drogen voordat u het weer in de stofzuiger plaatst [21].

#### Het uitlaatfilter reinigen:

1. Om het uitlaatfilter te verwijderen, klikt u het deksel van het uitlaatfilter [18] los en verwijdert u het filterelement. [19]
2. Was het filter in lauw water [20] en laat het volledig drogen voordat u het weer in de stofzuiger plaatst. [21].

Niet vergeten: Gebruik geen heet water of schoonmaakmiddelen. In het onwaarschijnlijke geval dat de filters beschadigd raken, vervangt u ze door originele onderdelen van Hoover. Gebruik het product niet zonder stofzuigerzak of filter.

### De permanente stofzak van textiel reinigen\*

Voor het behoud van optimale prestaties adviseren wij de permanente stofzak van textiel telkens na 5 volle zakken met lauw water te wassen. Verwijder het overtollige water en laat de zak volledig drogen voordat u deze weer terugplaatst.

## Verstopingen uit het systeem verwijderen

Als de zakcontrole-indicator brandt of knippert:

1. Controleer of de zak vol is. Zo ja, zie 'De stofzuigerzak vervangen'.
2. Als de zak niet vol is:
  - A. Moeten de filters worden gereinigd? Zo ja, zie 'Het filter reinigen'.
  - B. Controleer of niets het systeem blokkeert - Gebruik een staaf of stok om eventuele verstopingen uit de verlengbuis of zuigslang te verwijderen.

Waarschuwing - De zakcontrole-indicator wordt rood als de stofzuiger wordt gebruikt met volle zak, als er een verstopping is of als de filters vuil zijn. Als de stofzuiger langere tijd wordt gebruikt terwijl de zakcontrole-indicator rood is, wordt de stofzuiger uitgeschakeld door een thermische beveiliging om oververhitting te voorkomen. De zakcontrole-indicator wordt groen zodra de stofzuiger is uitgeschakeld om aan te geven dat de thermische beveiliging is ingeschakeld. Als dit gebeurt, schakelt u de stofzuiger uit, haalt u de stekker uit het stopcontact en corrigeert u de fout. Het duurt ongeveer 30 minuten voordat de beveiliging automatisch wordt uitgeschakeld.

## ACCESSOIRES EN ZUIGMONDEN

Voor optimaal functioneren en energie efficiëntie<sup>#1</sup> is het aan te bevelen dat de juiste mondstukken voor de voornaamste schoonmaak taken worden gebruikt.

Deze mondstukken worden in de diagrammen afgebeeld met de letters **GP**, **HF** of **CA**.

Een **GP** type mondstuk kan gebruikt worden voor schoonmaak van zowel tapijt als harde vloer.

Een **HF** type mondstuk is enkel geschikt voor gebruik op harde vloer.

Een **CA** type mondstuk is enkel geschikt voor gebruik op tapijt..

De andere mondstukken zijn accessoires voor gespecialiseerde schoonmaak taken en worden alleen aanbevolen voor incidenteel gebruik.

Het is belangrijk om op te merken dat deze stofzuiger een Energielabel heeft zoals wordt vereist door Europese Regelgeving (EU) 665/2013.

Als er links op het label over het tapijt symbool een rode cirkel van verbod staat, betekent dit dat de stofzuiger niet geschikt is voor gebruik op tapijten.

Als er rechts op het label over het harde vloer symbool een rode cirkel van verbod staat, betekent dit dat de stofzuiger niet geschikt is voor gebruik op harde vloeren.

<sup>#1</sup> **OPM.:**Stofopname capaciteit tapijt, stofopname capaciteit harde vloer en energie efficiëntie in overeenstemming met Commissie Regelgeving (EU) 665/2013 en (EU) 666/2013.

Alle accessoires kunnen op het uiteinde van de handgreep of op het uiteinde van de buis worden geplaatst. **[23]**

**2 in 1 hulpstuk** – Het 2 in 1 hulpstuk combineert twee functies in één en kan worden aangesloten als een kierenmondstuk. Door aan het uiteinde te draaien, verandert het in een stofborstel. Het 2 in 1 hulpstuk kan netjes worden opgeborgen op de achterkant van de stofzuiger. **[22]**

**Kierenmondstuk** – Voor hoeken en moeilijk bereikbare plaatsen.

**Stofborstel** – Voor boekenrekken, kozijnen, toetsenborden en andere kwetsbare plekken. Druk op de knop op het hulpstuk om de borstels uit te schuiven.

**Miniturbozuigmond voor dierenharen\*** – Gebruik het miniturbomondstuk voor trappen of voor het grondig reinigen van textielproducten en andere moeilijk schoon te maken plekken **[1T]**.

**Miniturbozuigmond voor allergene stoffen\*** – Gebruik het miniturbomondstuk voor trappen of voor het grondig reinigen van textielproducten en andere moeilijk schoon te maken plekken. **[1U]**

**Grand Turbozuigmond\*** – Gebruik het turbomondstuk voor de grondige reiniging van tapijten. **[1V]**

**Parketuigmond\*** – Voor parketvloeren en andere kwetsbare vloeren. **[1W]**

**BELANGRIJK:** Gebruik het grote turbomondstuk of het miniturbomondstuk niet op tapijten met lange franjes, op dierenhuiden of op tapijten dikker dan 15 mm. Houd het mondstuk niet stil wanneer de borstel draait.

## CHECKLIST GEBRUIKER

Mocht u problemen ondervinden met dit product, loop dan deze eenvoudige checklist na voordat u uw Hoover dealer belt.

- Krijgt de stofzuiger wel stroom? Controleer met een ander elektrisch product.
- Is de stofzak vol? Zie 'Onderhoud stofzuiger'
- Is het filter verstopt? Zie 'Het filter reinigen'.
- Is de slang of de zuigmond geblokkeerd? Zie 'Verstopingen uit het systeem verwijderen'
- Is de stofzuiger oververhit? Het duurt ongeveer 30 minuten voordat de beveiliging automatisch wordt uitgeschakeld.

## BELANGRIJKE INFORMATIE

### Originele reserveonderdelen en toebehoren van Hoover

Gebruik uitsluitend originele reserveonderdelen van Hoover. Deze zijn verkrijgbaar bij uw Hoover Dealer. Als u onderdelen bestelt, vermeld dan altijd het modelnummer.

Microfiber Bag	H63	35600536
Pre-Motor Filter & Exhaust Filter Kit	U63	35601193
Complete Flexible Hose	D128	35601194
Carpet & Floor Extra Nozzle	G221EE	35601635
Carpet & Floor Smart Nozzle	G200SE	35601593
Hard Floor Smart Nozzle	G222SE	35601636
Easy Parquet Nozzle	G131PC	35601196
Mini Turbo Nozzle	J46	35601116

\*Alleen bepaalde modellen

\*\*Solo su alcuni modelli, le spazzole possono variare secondo il modello

**Hoover Service**

Mocht u gebruik willen maken van de service, neem dan contact op met uw Hoover dealer.

**Kwaliteit**

BSI ISO 9001

De fabrieken van Hoover zijn op onafhankelijke wijze getest op kwaliteit. Onze producten worden vervaardigd aan de hand van een kwaliteitssysteem dat voldoet aan de vereisten van ISO 9001.

**Uw garantie**

De garantievoorwaarden voor dit toestel worden bepaald door onze vertegenwoordiger in het land waar het toestel wordt verkocht. Bijzonderheden omtrent deze voorwaarden zijn verkrijgbaar bij de dealer waar u het toestel hebt gekocht. Wanneer u aanspraak wilt maken op deze garantie, dan moet u het verkoop- of ontvangstbewijs voorleggen.

Wijzigingen zijn zonder voorafgaande kennisgeving mogelijk.



## INSTRUÇÕES PARA UMA UTILIZAÇÃO SEGURA

Este aparelho só deve ser utilizado para limpeza doméstica, conforme descrito neste guia do utilizador. Certifique-se de que este manual é totalmente compreendido antes de utilizar o aparelho.

Não deixe o aparelho ligado. Desligue sempre o aparelho e retire a ficha da tomada após a utilização ou antes de o limpar ou executar qualquer tarefa de manutenção.

Este aparelho pode ser utilizado por crianças com idade igual ou superior a 8 anos e por pessoas com capacidades mentais, sensoriais e físicas reduzidas ou sem experiência e conhecimento caso lhes sejam fornecidas instruções e supervisão relativas à utilização do aparelho de modo seguro e caso compreendam os perigos envolvidos. As crianças não devem brincar com o aparelho. A limpeza e a manutenção não devem ser efectuada por crianças sem supervisão.

Se o cabo de alimentação estiver danificado deixe de utilizar o aparelho imediatamente. Para evitar um perigo para a segurança, deve ser um técnico de assistência Hoover a substituir o cabo de alimentação.

Mantenha as mãos, os pés, as roupas largas e o cabelo longe das escovas rotativas.

Utilize exclusivamente acessórios, peças sobressalentes ou consumíveis recomendados ou fornecidos pela HOOVER.

**Electricidade estática:** Algumas alcatifas podem provocar uma pequena acumulação de electricidade estática. A descarga de electricidade estática não constitui qualquer perigo para a saúde.

Não utilize o aparelho no exterior, em superfícies húmidas ou para aspirar líquidos.

Não aspire objectos duros ou afiados, fósforos, cinzas quentes, pontas de cigarro ou outros itens semelhantes.

Não pulverize nem aspire líquidos inflamáveis, líquidos de limpeza, aerossóis ou respectivos vapores.

Não passe por cima do cabo de alimentação ao utilizar o aspirador nem retire a ficha puxando pelo cabo de alimentação.

Não continue a utilizar o aparelho se este parecer defeituoso.

**Assistência HOOVER:** Para assegurar o funcionamento seguro e eficiente deste aparelho, recomendamos que todas as intervenções de assistência ou reparação sejam efectuadas apenas por um técnico de assistência autorizado da Hoover.

Não permaneça em cima do cabo de alimentação nem o enrole à volta das pernas ou braços ao utilizar o aparelho.


Não utilize o aparelho para limpar pessoas ou animais.

Não posicione o aparelho num nível superior aquele em que se encontra ao limpar escadas.

### Ambiente

O símbolo no aparelho indica que este não pode ser tratado como resíduo doméstico. Pelo contrário, deve ser encaminhado para o ponto de recolha aplicável para reciclagem de equipamento eléctrico e electrónico. A eliminação deve ser realizada em conformidade com as leis ambientais locais relativas à eliminação de resíduos. Para obter informações mais detalhadas sobre o tratamento, recuperação e reciclagem deste produto, contacte as autoridades locais, o serviço de eliminação de resíduos domésticos ou a loja onde adquiriu o produto.



 Este aparelho encontra-se em conformidade com as Directivas Europeias 2006/95/CE, 2004/108/CE e 2011/65/UE.

HOOVER Limited, Pentrebach, Merthyr Tydfil, Mid Glamorgan, CF48 4TU, UK

## APRESENTAÇÃO DO ASPIRADOR

- |  |   |
|--|---|
| A. Aspirador                                   | N. Escova para pavimentos e alcatifas (GP)**        |
| B. Pedal de Recolha do Cabo                    | N1. Escova para alcatifas (CA)**                    |
| C. Manípulo de transporte                      | N2. Escova para pavimentos duros (HF)**             |
| D. Tampa do Filtro de Exaustão                 | O. Pedal selector de superfície**                   |
| E. Pedal Ligar/Desligar                        | P. Tubo flexível                                    |
| F. Tubo Telescópico*                           | Q. Filtro do pré-motor                              |
| G. Botão de Libertação de Tubo Telescópico*    | R. Filtro de exaustão                               |
| H. Tubo standard*                              | S. Acessório 2 em 1                                 |
| I. Controlo de Potência Variável por "Roller"* | T. Mini escova turbo para remover pêlos de animais* |
| J. Indicador do estado do saco                 | U. Mini escova turbo para remoção de alergéneos*    |
| K. Patilha de Libertação da Tampa do Saco      | V. Escova grande turbo*                             |
| L. Regulador de Sucção*                        | W. Escova para parquet*                             |
| M. Manípulo                                    |   |

## MONTAGEM DO ASPIRADOR

Retire todos os componentes da embalagem.

1. Ligue o tubo flexível ao corpo principal do aspirador, certificando-se de que encaixa e fica bem fixo. Para soltar: basta premir os dois botões na extremidade do tubo flexível e puxar [2].
2. Ligue o manípulo à extremidade superior do tubo. [3].
3. Ligue a extremidade inferior do tubo à escova para pavimentos e alcatifas [4].

## UTILIZAÇÃO DO ASPIRADOR

1. Extraia o cabo de alimentação e ligue-o na fonte de alimentação. Não puxe o cabo para além do marcador vermelho [5].
2. Regule o tubo telescópico\* para o comprimento pretendido segurando o trinco do tubo telescópico\* e suba ou desça o punho para a posição de limpeza mais confortável [6].
3. Escova para pavimentos e alcatifas. Pressione o pedal na escova [7] para seleccionar o modo de limpeza ideal para o tipo do seu pavimento.
  - Piso duro:** Baixar as escovas para proteger o soalho.
  - Alcatifas:** Levantar as escovas para uma limpeza em profundidade.
4. Ligue o aspirador premindo o botão Ligar/Desligar no corpo principal do aspirador. [8]
5. Ajuste o nível de potência rodando o rolo de controlo de potência variável\*. [9]
6. Ajuste o regulador\* de sucção para o nível pretendido. [10].
7. Desligue o aspirador no final da utilização pressionando o botão Ligar/Desligar. Desligue o cabo e prima o botão de recolha respectivo para enrolar o cabo de novo no aspirador [11].
8. Suporte e Arrumação do tubo - O tubo telescópico pode ser fixado temporariamente durante a utilização, ou colocado na posição de arrumação quando não estiver a ser utilizado [12].

\*Apenas Alguns modelos

\*\*Apenas alguns modelos, as escovas podem variar dependendo do modelo

## MANUTENÇÃO DO ASPIRADOR

### Substituição do saco

Se o indicador do estado do saco ficar vermelho deve verificar e, se necessário, substituir o saco.

1. Levante a patilha de libertação da tampa do saco [13] para abrir a tampa, prima o suporte do saco [14] e o colar do saco para remover o mesmo [15].
2. Coloque o autocolante, localizado no colar do saco, na entrada do saco. Deve eliminar o saco cheio de forma consciente e com todo o cuidado.
3. Prepare o saco novo, conforme indicado nas instruções, e coloque-o no compartimento introduzindo o anel no respectivo suporte.
4. Coloque bem o suporte do saco e feche a tampa do saco.

**Atenção** - A porta do saco NÃO irá fechar se o saco de pó e/ou o suporte do saco não estiverem colocados no aspirador. Certifique-se sempre que o saco e o seu suporte estão colocados quando fechar a tampa do saco.

**Nota:** O indicador do estado do saco também pode ficar vermelho em caso de obstrução. Neste caso consulte "Remoção de uma obstrução do sistema".

### Limpeza dos Filtros

Para manter um óptimo desempenho do seu aspirador, deve lavar los filtros depois de substituir o saco 5 vezes.

#### Limpeza o filtro pré-motor:

1. Eleve a patilha de libertação da tampa do saco [13] para abrir a tampa e retirar o suporte do saco.
2. Para remover o filtro do pré-motor, faça deslizar a estrutura do filtro do pré-motor do aspirador. [16]
3. Remova o filtro do suporte. [17]
4. Lave-o à mão em água morna [20] e deixe-o secar por completo antes de o voltar a colocar no aspirador [21].

#### Limpeza o filtro de exaustão:

1. Para remover o filtro do exaustor, solte os grampos da tampa do filtro do exaustor [18] e retire o pacote do filtro. [19]
2. Lave-o à mão em água morna [20] e deixe-o secar por completo antes de o voltar a colocar no aspirador. [21].

**Nota:** Não utilize água quente ou detergentes. Na eventualidade de os filtros ficarem danificados, substitua-os apenas por peças originais Hoover. Não tente utilizar o aspirador sem o respectivo saco ou filtro montado.

#### Limpeza do saco de pó permanente\*

Para manter um óptimo desempenho, recomendamos que você lave o saco permanente depois de 5 enchimentos do saco. Retire o excesso de água e deixe secar por completo de voltar a colocar no aspirador.

## Remoção de uma obstrução do sistema

Se o indicador do estado do saco estiver aceso ou intermitente:

1. Verifique se o saco está cheio. Em caso afirmativo, consulte "Substituição do saco".
2. Caso não esteja cheio, verifique:
  - A. É necessário limpar os filtros? Em caso afirmativo, consulte "Limpeza do filtro".
  - B. Caso esteja, consulte a secção "Esvaziar o depósito de pó". - Utilize uma vareta ou cano para remover qualquer obstrução dos tubos telescópico ou flexível.

Atenção - O indicador do estado do saco fica vermelho se o aspirador for utilizado com o saco cheio, se existir um bloqueio ou se os filtros estiverem sujos. Se o aspirador for utilizado durante muito tempo com o indicador vermelho, um corta-circuito térmico desliga o aspirador automaticamente para evitar o sobreaquecimento. O indicador do estado do saco passa a verde uma vez o aspirador desligado para indicar que foi activado o corta-circuito térmico. Caso tal se verifique, desligue o aspirador, desligue o cabo da corrente e corrija o problema. O corta-circuito demora cerca de 30 minutos a ser repostado automaticamente.

## ACESSÓRIOS E ESCOVAS

Para obter o melhor desempenho e eficiência energética<sup>#1</sup> é recomendada a utilização das escovas correctas para as principais operações de limpeza.

As escovas estão indicadas nos diagramas pelas letras **GP**, **HF** ou **CA**.

Uma escova do tipo **GP** pode ser utilizada para limpar alcatifas e pisos duros.

Uma escova do tipo **HF** é adequada para utilização apenas em pisos duros.

Uma escova do tipo **CA** é adequada para utilização apenas em alcatifas.

As restantes escovas são acessórios para tarefas de limpeza especializadas e são recomendadas apenas para utilização ocasional.

É importante notar que este aspirador é fornecido com uma Etiqueta Energética conforme requerido pelo Regulamento Europeu (EU) 665/2013.

Se a etiqueta mostrar um círculo de proibição vermelho à esquerda a cobrir o símbolo de alcatifa, significa que o aspirador não é adequado para utilização em alcatifas.

Se a etiqueta mostrar um círculo de proibição vermelho à direita a cobrir o símbolo de piso duro, significa que o aspirador não é adequado para utilização em pisos duros.

**#1 NOTA:** A capacidade de remoção do pó em alcatifas, a capacidade de remoção do pó em pisos duros e a eficiência energética estão de acordo com os Regulamentos da Comissão (EU) 665/2013 e (EU) 666/2013.

Todos os acessórios podem ser montados na extremidade do manípulo ou na extremidade do tubo telescópico. **[23]**

**Acessório 2 em 1** – Combina duas funções numa só, o acessório 2 em 1 pode ser utilizado como um acessório de fendas. Ao rodar a peça do fundo converte-a numa escova de pó. O acessório 2 em 1 pode ser guardado facilmente na parte de trás do aspirador. **[22]**

**Acessório para fendas** – Para cantos e áreas difíceis de alcançar.

**Escova para pó** – Para estantes de livros, molduras, teclados e outras áreas delicadas. Para

\*Apenas Alguns modelos

\*\*Apenas alguns modelos, as escovas podem variar dependendo do modelo

prolongar as escovas, carregue no botão no corpo do acessório.

**Mini escova turbo para remover pêlos de animais\*** – Utilize a mini escova turbo em escadas ou para uma limpeza em profundidade de tecidos e outras áreas mais difíceis **[1T]**.

**Mini escova turbo para remoção de alergéneos\*** – Utilize a mini escova turbo em escadas ou para uma limpeza em profundidade de tecidos e outras áreas mais difíceis. **[1U]**

**Escova grande turbo\*** – Utilize a escova turbo para a limpeza de alcatifas em profundidade. **[1V]**

**Escova para parquet\*** – Para pavimentos de parquet e outros pavimentos delicados. **[1W]**

**IMPORTANTE:** Não utilize as escovas mini turbo e turbo em tapetes com franjas, animais e alcatifas com um pêlo com mais de 15mm de altura. Não mantenha a escova parada enquanto está em rotação.

## LISTA DE VERIFICAÇÃO DO UTILIZADOR

Se tiver algum problema com o aparelho, preencha esta simples lista de verificação do utilizador antes de chamar o serviço de assistência Hoover local.

- O aspirador tem alimentação de corrente? Verifique com outro aparelho eléctrico.
- O saco está cheio? Consulte "Manutenção do Aspirador".
- O Filtro está sujo? Consulte a secção "Limpeza do filtro"
- O tubo ou a escova estão bloqueados? Ver capítulo "Remover uma obstrução do sistema".
- O aspirador sobreaqueceu? Em caso afirmativo, a reposição automática ocorrerá passados cerca de 30 minutos.

## INFORMAÇÕES IMPORTANTES

### Peças sobressalentes e consumíveis Hoover

Substitua sempre as peças por peças sobressalentes Hoover genuínas. Pode obtê-las junto do seu representante local ou directamente da Hoover. Quando encomendar peças, mencione sempre o número do seu modelo.

Microfiber Bag	H63	35600536
Pre-Motor Filter & Exhaust Filter Kit	U63	35601193
Complete Flexible Hose	D128	35601194
Carpet & Floor Extra Nozzle	G221EE	35601635
Carpet & Floor Smart Nozzle	G200SE	35601593
Hard Floor Smart Nozzle	G222SE	35601636
Easy Parquet Nozzle	G131PC	35601196
Mini Turbo Nozzle	J46	35601116

### Assistência Hoover

Se necessitar de assistência a qualquer altura, queira contactar o seu serviço de assistência Hoover local.

**Qualidade**

BSI ISO 9001

A qualidade das instalações industriais da Hoover foi avaliada de forma independente. Os nossos produtos são fabricados de acordo com um sistema de qualidade que satisfaz os requisitos da norma ISO 9001.

**Garantia**

As condições de garantia para este aparelho são as definidas pelo nosso representante no país onde foi vendido. Pode obter detalhes sobre estas condições junto do agente a quem adquiriu o aparelho. A factura de venda ou o recibo deverão ser entregues quando apresentar uma reclamação ao abrigo dos termos da garantia.

Sujeito a alteração sem aviso prévio.

## INSTRUCCIONES PARA UN USO SEGURO

Este aparato sólo debe utilizarse para la limpieza doméstica habitual, como se describe en esta guía del usuario. Asegúrese de haber comprendido todo el contenido de este manual antes de poner en funcionamiento el aparato.

No deje enchufado el aparato. Apague y desenchufe siempre el aparato antes de limpiarlo o de realizar cualquier labor de mantenimiento.

Este aparato puede ser usado por niños de 8 años en adelante y personas con capacidades físicas, sensoriales o mentales reducidas o falta de experiencia y conocimiento bajo supervisión y con una explicación de las instrucciones con respecto al uso del aparato de manera segura y que comprendan los riesgos implicados. Los niños no deben jugar con el aparato. Los niños no deben limpiar ni dar mantenimiento sin supervisión.

Si el cable de alimentación está dañado, deje de utilizar el aparato inmediatamente. Para evitar un peligro de seguridad, técnicos de servicio autorizados por Hoover deben reemplazar el cable de alimentación.

Mantener lejos de los cepillos rotatorios pies, manos, ropa suelta y cabellos.

Utilizar únicamente accesorios, consumibles o recambios recomendados o suministrados por HOOVER.

**Electricidad estática:** Algunas alfombras pueden provocar una pequeña acumulación de electricidad estática. Las descargas estáticas no son peligrosas para la salud.

No utilice el aparato al aire libre, en superficies húmedas o para recoger líquidos.

No aspire objetos duros o afilados, cerillas, ceniza candente, colillas de cigarrillo u objetos similares.

No rocíe ni aspire líquidos inflamables, aerosoles para limpiar o sus vapores.

No pase por encima del cable de alimentación cuando utiliza el aparato ni lo desenchufe tirando del cable.

No siga utilizando su aparato si parece tener algún defecto.

**Servicio técnico HOOVER:** Para garantizar el funcionamiento seguro y eficaz del aparato, recomendamos que las tareas de mantenimiento y reparación sean realizadas exclusivamente por técnicos autorizados del servicio técnico de Hoover.

No pise el cable ni lo enrolle en los brazos ni las piernas al utilizar el aparato.

No utilice el aparato en personas ni animales.

No sitúe el aparato por encima de usted cuando esté limpiando las escaleras.

### El Medio Ambiente:

El símbolo que puede verse en el producto indica que éste no puede tratarse como residuo doméstico. En vez de esto debe entregarse en un punto de recogida de electrodomésticos para el reciclaje de equipos eléctricos y electrónicos. La eliminación debe llevarse a cabo según los reglamentos medioambientales locales sobre eliminación de residuos. Para información más detallada sobre el tratamiento, la recuperación y el reciclaje de este aparato, póngase en contacto con su Ayuntamiento, su servicio de recogida de residuos domésticos o con el establecimiento donde haya comprado el producto.



**CE** Esta aparato cumple con las Directivas europeas 2006/95/EC, 2004/108/EC y 2011/65/EU.

HOOVER Limited, Pentrebach, Merthyr Tydfil, Mid Glamorgan, CF48 4TU, UK



## INFORMACIÓN SOBRE SU ASPIRADOR

- |  |  |
|--|--|
| A. Estructura central del aspirador                  | N. Tobera para alfombras y suelos (GP)**           |
| B. Pedal recogecable                                 | N1. Tobera para alfombras (CA)**                   |
| C. Asa de transporte                                 | N2. Tobera para suelo duro (HF)**                  |
| D. Tapa del filtro de salida                         | O. Pedal del selector de superficies**             |
| E. Pedal de encendido/apagado                        | P. Manguera  |
| F. Tubo telescópico*                                 | Q. Filtro pre-motor                                |
| G. Botón de desbloqueo del tubo telescópico*         | R. Filtro de salida de aire                        |
| H. Tubo standard*                                    | S. Accesorio 2 en 1                                |
| I. Rodillo del control de potencia variable*         | T. Tobera Mini Turbo para el pelo de los animales* |
| J. Indicador de control de la bolsa                  | U. Tobera Mini Turbo elimina alérgenos*            |
| K. Seguro de desbloqueo de la portezuela de la bolsa | V. Maxi Tobera Turbo*                              |
| L. Regulador de aspiración*                          | W. Tobera Parquet*                                 |
| M. Empuñadura  |  |

## MONTAJE DEL ASPIRADOR

Saque todas las piezas del embalaje.

1. Conecte la manguera a la estructura central del aspirador, asegurándose de que quede encajado y bien sujeto en su sitio. Para sacar la manguera: solo hay que ejercer presión sobre los dos botones que se encuentran en el extremo de la manguera y tirar [2].
2. Conecte la empuñadura en el extremo superior del tubo. [3].
3. Conecte el extremo inferior del tubo a la tobera para alfombras y suelos [14].

## UTILIZACIÓN DEL ASPIRADOR

1. Extraiga el cable de alimentación y enchúfelo a la toma de corriente. No debe continuar tirando cuando llegue a la marca roja [5].
2. Regular el tubo telescópico\* a la altura deseada desplazando hacia arriba el pulsador de desbloqueo del tubo telescópico\* y levantando o bajando la empuñadura hasta encontrar la posición de limpieza más confortable [6].
3. Tobera para alfombras y suelos. Apriete el pedal en la tobera [7] para seleccionar el modo ideal de limpieza según el tipo de piso.
  - Suelos duros :** Bajan los cepillos para proteger el suelo.
  - Alfombra :** Para una limpieza profunda utilice los cepillos alzados
4. Encienda el aspirador pulsando el pedal de encendido/apagado que se encuentra en la estructura central del aspirador. [8]
5. Ajuste el nivel de potencia girando el rodillo del control de potencia variable\*. [9]
6. Ponga el regulador de aspiración\* en el nivel deseado. [10].
7. Apague el aparato tras su uso pulsando el pedal de encendido/apagado. Desenchufe el aparato y pulse el pedal recogecable para recoger el cable en el interior del aspirador[11].
8. Estacionamiento y almacenamiento - El tubo puede ser estacionado para almacenamiento transitorio durante el uso, o en la posición de almacenamiento cuando no se utiliza [12].

\*Sólo algunos modelos

\*\*Sólo para algunos modelos, las toberas pueden variar en base al modelo

## MANTENIMIENTO DEL ASPIRADOR

### Sustitución de la Bolsa del Polvo

Si el indicador de control de la bolsa es de color rojo, verificar y, de ser necesario, sustituir la bolsa.

1. Levante el seguro de desbloqueo de la portezuela de la bolsa [13] para abrir la tapa, tire del sujetador de la bolsa [14] y tire del collar de esta para sacarla [15].
2. Aplique el adhesivo que se encuentra en el collar de la bolsa, en la parte interior de la bolsa. La bolsa del polvo llena tiene que ser eliminada de forma correcta y con cuidado.
3. Pliegue la nueva bolsa tal como se indica en ésta y asegúrela introduciendo el sujetador del collar.
4. Vuelva a poner el sujetador de la bolsa y cierre la portezuela de la misma.

**Advertencia** - Si la bolsa o el sujetador de esta no están montados en el aspirador, la portezuela de la bolsa NO podrá cerrarse. Asegúrese de que la bolsa y su sujetador estén presentes al cerrar la portezuela de la bolsa.

Recuerde: El indicador de control de la bolsa también puede resultar rojo si se ha producido una obstrucción. En ese caso, remitirse al capítulo "Eliminación de obstrucciones en el sistema".

### Limpieza de los filtros

Para mantener óptimas prestaciones de su aspirador, lave el filtro al cambiar 5 veces la bolsa.

#### Limpieza del filtro pre-motor:

1. Levante el seguro de desbloqueo de la portezuela de la bolsa [13] para abrir la tapa y sacar la bolsa.
2. Para extraer el filtro premotor deslice su soporte por el aspirador hacia fuera. [16]
3. Quite el filtro del sujetador. [17]
4. Lávelo con agua tibia [20] y déjelo secar por completo antes de volver a ponerlo en el aspirador [21].

#### Limpieza del filtro de salida:

1. Para retirar el filtro de descarga, desenganche la tapa del mismo [18] y saque la unidad de filtro. [19]
2. Lave el filtro con agua tibia [20] y déjelo secar por completo antes de volver a ponerlo en el aspirador. [21].

**Recuerde:** No usar agua hirviendo o detergentes. En caso improbable de dañarse los filtros, coloque un repuesto Hoover original. No trate de utilizar el aparato sin montar la bolsa del polvo o el filtro.

### Limpieza de la bolsa de tela fija\*

Para mantener óptimas prestaciones, se aconseja lavar la bolsa de tela fija con agua tibia tras cada 5 bolsas llenas. Elimine el exceso de agua y deje que se seque completamente antes de volver a montarla.

### Eliminación de obstrucciones en el sistema

Si el indicador de control de la bolsa se ilumina o parpadea:

1. Compruebe si la bolsa está llena. De ser así, remitirse al capítulo "Sustitución de la bolsa del polvo".
2. Si no está llena, entonces;
  - A. ¿Cabe la posibilidad de que sea preciso limpiar los filtros? Si es así, remitirse al capítulo "Limpieza del Filtro".
  - B. Compruebe si existe alguna otra obstrucción en el sistema - Utilice una varilla o una barra para eliminar cualquier obstrucción de Teletube o de la manguera flexible.

Advertencia - El indicador de la bolsa se pondrá de color rojo en caso de utilizar el aspirador lleno, de obstrucción o de filtros sucios. Si el aspirador se utiliza por un largo rato con el indicador de la bolsa de color rojo, un corte térmico apagará el aspirador para evitar que éste se recaliente. El indicador se vuelve de color verde tras apagarse el aspirador, indicando con ello que el corte térmico ha sido activado. De ocurrir esto, apague el aspirador, desenchúfelo y repare el fallo. Tardará unos 30 minutos en reiniciarse automáticamente.

## ACCESORIOS Y CEPILLOS

Para obtener el mejor rendimiento y eficiencia energética <sup>#1</sup> se recomienda utilizar toberas adecuadas para las principales operaciones de limpieza.

Estas toberas se indican en los diagramas con las letras **GP, HF, o CA**.

Una tobera de tipo **GP** se puede utilizar para limpiar tanto alfombras como suelos duros.

Una tobera de tipo **HF** es adecuada sólo para un uso en suelos duros.

Una tobera de tipo **CA** es adecuada sólo para un uso en alfombras.

Las demás toberas son accesorios para efectuar tareas de limpieza especializadas y se recomiendan sólo para un uso ocasional.

Es importante notar que esta aspiradora se suministra con una etiqueta energética de conformidad con el reglamento europeo (UE) 665/2013.

Si en la etiqueta aparece un círculo rojo de prohibición en el lado izquierdo que cubre el símbolo de alfombra, esto indica que la aspiradora no es adecuada para utilizarse en alfombras.

Si en la etiqueta aparece un círculo rojo de prohibición en el lado derecho que cubre el símbolo de suelo duro, esto indica que la aspiradora no es adecuada para utilizarse en suelos duros.

**#1 NOTA:** La capacidad de recoger polvo de las alfombras, la capacidad de recoger polvo de los suelos duros y eficiencia energética de conformidad con los reglamentos de la Comisión (UE) 665/2013 y (UE)666/2013.

Todos los accesorios pueden instalarse en el extremo del mango o del tubo. **[23]**

**Accesorio 2 en 1** – El accesorio 2 en 1 combina dos funciones en una y puede conectarse para funcionar como herramienta para tapicerías. Si se gira la parte final se convierte en un cepillo para el polvo. El accesorio 2 en 1 puede guardarse cómodamente en la parte de atrás del aspirador. **[22]**

\*Sólo algunos modelos

\*\*Sólo para algunos modelos, las toberas pueden variar en base al modelo

**Accesorio para tapicerías** – Para rincones y zonas de difícil acceso.

**Cepillo para quitar el polvo** – Para estanterías, marcos, teclados y demás áreas delicadas. Para extender el cepillo pulse el botón en el cuerpo del accesorio.

**Tobera Mini Turbo para el pelo de los animales\*** – Emplee la tobera mini turbo para la limpieza de escaleras o para la limpieza a fondo de tejidos y demás áreas difíciles de limpiar **[1T]**.

**Tobera Mini Turbo elimina alérgenos\*** – Emplee la mini tobera turbo para la limpieza de escaleras o para la limpieza a fondo de tejidos y demás áreas difíciles de limpiar. **[1U]**

**Maxi Tobera Turbo\*** – Utilice la tobera turbo para la limpieza a fondo de alfombras. **[1V]**

**Tobera Parquet\*** – Para suelos de parqué y demás suelos delicados. **[1W]**

**IMPORTANTE:** No utilice las toberas gran turbo o mini turbo para alfombras que tengan flecos largos, estén hechas de piel animal, ni sean de pelo de un espesor superior a 15 mm. No mantenga la tobera inmóvil mientras el cepillo esté girando.

## LISTA DE COMPROBACIONES QUE DEBE REALIZAR EL USUARIO

Si surgiera algún problema con el producto, lleve a cabo las sencillas comprobaciones que se enumeran a continuación antes de llamar a su Servicio local de reparaciones de Hoover.

- ¿Hay suministro de corriente para el aspirador? Pruebe con otro aparato eléctrico.
- ¿La bolsa de polvo está llena? Remítase al capítulo "Mantenimiento del Aspirador"
- ¿El filtro está bloqueado? Remítase al capítulo "Limpieza del Filtro"
- ¿Está obstruida la manguera o la tobera? Remítase al capítulo "Eliminación de obstrucciones en el sistema"
- ¿Se ha recalentado el aspirador? En caso afirmativo, tardará aproximadamente 30 minutos en reiniciarse automáticamente.

## INFORMACIÓN IMPORTANTE

### Piezas de repuesto y consumibles de Hoover

Utilice siempre piezas de repuesto originales de Hoover. Puede adquirirlas en su Servicio Asistencia Técnica de Hoover o pedir las directamente a Hoover. Cuando realice pedidos de piezas, indique siempre el número de modelo que posee.

Microfiber Bag	H63	35600536
Pre-Motor Filter & Exhaust Filter Kit	U63	35601193
Complete Flexible Hose	D128	35601194
Carpet & Floor Extra Nozzle	G221EE	35601635
Carpet & Floor Smart Nozzle	G200SE	35601593
Hard Floor Smart Nozzle	G222SE	35601636
Easy Parquet Nozzle	G131PC	35601196
Mini Turbo Nozzle	J46	35601116

**Servicio de reparaciones de Hoover**

Si en cualquier momento necesitara efectuar reparaciones, diríjase a su oficina local de servicio de reparaciones de Hoover.

**Calidad**

BSI ISO 9001

Las fábricas de Hoover han sido sometidas a inspecciones de calidad independientes. Nuestros productos se fabrican de conformidad con un sistema de calidad que cumple los requisitos de la norma ISO 9001.

**Su garantía**

Las condiciones de garantía para este aparato vienen definidas por nuestro representante en el país de venta. Puede obtener los detalles acerca de estas condiciones en el establecimiento donde haya comprado este aparato. Debe mostrarse la factura de compra o el recibo al hacer alguna reclamación en virtud de las condiciones de garantía.

Sujeto a cambios sin previo aviso.

## INSTRUKTIONER FOR SIKKER ANVENDELSE

Denne støvsuger må kun anvendes til almindelig husholdningsrengøring, som beskrevet i brugsanvisningen. Du bør sikre dig, at du har forstået indholdet af denne brugervejledning fuldt ud, inden apparatet tages i brug.

Efterlad ikke støvsugeren tilsluttet. Inden du rengør eller foretager vedligeholdelse af støvsugeren, skal du altid slukke for den og tage stikket ud af stikkontakten.

Dette udstyr kan anvendes af børn, der er 8 år gamle og derover, og af personer med nedsatte fysiske, sensoriske eller mentale evner eller manglende erfaring og viden, hvis de er under opsyn eller vejledning i at bruge udstyret på en sikker måde og forstår de risici, der er involveret. Børn må ikke lege med udstyret. Rengøring og vedligeholdelse må ikke udføres af børn uden en voksen tilstede.

Hvis netledningen er ødelagt, skal du stoppe med at bruge støvsugeren øjeblikkeligt. For at undgå en sikkerhedsrisiko, skal en autoriseret HOOVER servicetekniker udskifte strømkablet.

Hold hænder, fødder, løstsiddende tøj og hår væk fra roterende børster.

Brug kun tilbehør, forbrugsvarer eller reservedele, som anbefalet eller leveret af Hoover.

**Statisk elektricitet:** Visse tæpper kan forårsage en mindre akkumulering af statisk elektricitet. Udledning af statisk elektricitet er ikke sundhedsfarligt.

Brug ikke støvsugeren udendørs eller på våde overflader eller til opugning af væsker.

Undlad at opsuge hårde eller skarpe genstande, tændstikker, varm aske, cigaretstumper eller andre lignende genstande.

Undlad at sprøjte med eller opsuge brændbare væsker, rensesvæsker, spraydåser eller spray fra disse.

Undlad at køre over strømkablet når du bruger din støvsuger og undlad at trække stikket ud ved at trække i strømkablet, men hold fast i stikket.

Lad være med at fortsætte at bruge støvsugeren, hvis den ser ud til at være defekt.

**HOOVER-SERVICE:** For at sikre løbende sikker og effektiv drift af dette apparat anbefaler vi, at eftersyn eller reparationer udelukkende udføres af en autoriseret Hoover-servicetekniker.

Snur hverken ledningen om arme eller ben eller stå på den, mens du bruger støvsugeren.


Undlad at bruge apparatet på at rengøre mennesker eller dyr.

Undlad at lade støvsugeren stå oven for dig, når du rengør trapper.

### Miljøet

Symbolet på produktet angiver, at produktet ikke må behandles som husholdningsaffald. Det skal i stedet afleveres til en relevant affaldsstation for genbrug af elektrisk og elektronisk udstyr. Bortskaffelse skal ske i overensstemmelse med de lokale miljøregler vedrørende bortskaffelse af affald. For mere detaljeret information om behandling, genvinding og genbrug af dette produkt, henvend dig da til den lokale kommune, til dit affaldsselskab eller den forretning hvor du købte produktet.



 Denne støvsuger overholder bestemmelserne i EU Direktiverne 2006/95/EC, 2004/108/EC og 2011/65/EU.

HOOVER Limited, Pentrebach, Merthyr Tydfil, Mid Glamorgan, CF48 4TU, UK

## KEND DIN STØVSUGER

- |  |   |
|--|---|
| A. Hovedrengøringsmaskine                | N. Tæppe- og gulvmundstykke (GP)**      |
| B. Pedalknap til ledningsoprulning       | N1. Tæppemundstykke (CA)**              |
| C. Bærehåndtag                           | N2. Mundstykke til hårde gulve (HF)**   |
| D. Dæksel til udsugningsfilter           | O. Overfladevælgerpedal**               |
| E. Tænd/sluk-pedalknap                   | P. Slange                               |
| F. Teleskoprør*                          | Q. Præ-Motor Filter                     |
| G. Udløserknap til teleskoprør*          | R. Udsugningsfilter                     |
| H. Standardrør*                          | S. 2-i-1 værktøj                        |
| I. Rulleknap til variabel effektkontrol* | T. Mini-turbomundstykke til dyrehår*    |
| J. Indikator til posekontrol             | U. Mini-turbomundstykke til allergener* |
| K. Udløsningknap til poselåg             | V. Stort turbomundstykke*               |
| L. Sugekontrol*                          | W. Mundstykke til parketpleje*          |
| M. Håndtag                               |   |

## MONTERING AF STØVSUGEREN

Udtag alle komponenter fra emballagen.

1. Tilslut slangen til støvsugerens hoveddel, og sørg for, at den klikker og låses på plads. Sådan tages den af: Tryk blot på de to knapper for enden af slangen, og træk [2].
2. Tilslut håndtaget til rørets øverste ende. [3].
3. Tilslut tæppe- og gulvmundstykket til rørets nederste ende.

## BRUG AF STØVSUGEREN

1. Træk strømledningen ud, og sæt den i stikkontakten. Træk ikke ledningen længere ud end det røde mærke [5].
2. Indstil teleskoprøret\* i den ønskede højde ved at skubbe teleskoprørets justeringsanordning\* opad og løfte eller sænke håndtaget til den ønskede rengøringsposition [6].
3. Tæppe- og gulvmundstykke. Tryk på pedalen på mundstykket [7] for at vælge den ideelle rengøringsstilstand til gulvtypen.
  - Hårdt gulv:** Børsterne sænkes for at beskytte gulvet.
  - Tæppe:** Med løftede børster for den dybeste rengøring
4. Tænd for støvsugerens ved at trykke på tænd/sluk-pedalknappen på støvsugerens hoveddel. [8]
5. Indstil effekten ved at dreje rulleknappen til den variable effektkontrol\*. [9]
6. Juster sugekontrollen\* til det ønskede niveau. [10].
7. Sluk efter brug ved at trykke på tænd/sluk-pedalknappen. Træk stikket ud af stikkontakten, og tryk på pedalknappen til ledningsoprulning for at rulle ledningen tilbage i støvsugerens [11].
8. Parkering og opbevaring - Slangen kan parkeres midlertidig, mens støvsugerens er i brug, eller hvis den ikke anvendes [12].

\*Kun til visse modeller

\*\* Kun på visse modeller kan mundstykkerne variere alt efter modeltype

## VEDLIGEHOLDELSE AF STØVSUGEREN

### Udskiftning af støvposen

Hvis posekontrolindikatoren er rød, så kontroller venligst, og om nødvendigt, udskift posen.

1. Løft posedørens udløsningsknap [13] for at åbne dækslet, træk i poseholderen [14], og træk i posekraven for at fjerne posen [15].
2. Sæt klæbemærkatens, som sidder på posekraven, på poseindgangen. Den fulde støvpose bør bortskaffes korrekt og omhyggeligt.
3. Fold en ny pose som vist på posen, og sæt den i støvsugerens ved at sætte posekraven ind i poseholderen.
4. Sæt poseholderen på plads igen, og luk poselåget.

**Advarsel** - Poselåget lukker IKKE, hvis støvposen og/eller poseholderen ikke monteres på støvsugerens. Sørg altid for, at posen og poseholderen er i støvsugerens, før du lukker poselåget.

**Husk:** Posekontrolindikatoren kan også være rød, hvis der opstår en tilstopning. I dette tilfælde se 'At fjerne en blokade fra systemet'.

### Rensning af filtrene

for at bevare optimal drift på rengøringsmaskinen, så vask filtrene efter hvert 5. poseskift.

#### Rensning af for-motor filter:

1. Løft udløsningsknappen til poselåget [13] for at åbne dækslet og fjerne poseholderen.
2. Skub for-motorens filterramme af støvsugerens for at fjerne for-motorfilteret. [16]
3. Fjern filteret fra holderen. [17]
4. Vask det i håndvarmt vand [20], og lad det tørre fuldstændigt, før det sættes tilbage i støvsugerens. [21].

#### Rengøring af udsugningsfilteret:

1. For at fjerne udsugningsfilteret skal du fjerne clipsen fra udsugningsfilterets dæksel [18] og fjerne filterpakken. [19]
2. Vask filteret i lunkent vand [20], og lad det tørre fuldstændigt, før det sættes tilbage i støvsugerens. [21].

**Husk:** Brug ikke meget varmt vand eller rengøringsmidler. Skulle det ske at filtre bliver beskadiget, isættes en original Hoover udskiftning. forsøg ikke på at anvende produktet uden en støvpose eller et filter isat.

#### Rengøring af den permanente støvpose\*

For at opnå optimal ydelse anbefaler vi, at du vasker den permanente støvpose i lunkent vand, efter den har været tømt 5 gange. Fjern overskydende vand, og lad den helt tørre før udskiftning.

#### Fjernelse af en blokade fra systemet

Hvis posekontrol indikatoren lyser op eller blinker:

1. Kontroller om posen er fuld. Hvis den er, se 'Udskiftning af støvpose'.
2. Hvis den ikke er fuld, så;
  - A. Trænger filtrene til at blive rensede? Hvis det er tilfældet, skal du se "Rensning af filter".
  - B. Kontrollér, om der er andre tilstopninger i systemet - Brug en stang eller lignende til at fjerne eventuelle tilstopninger fra forlængerrøret eller den bøjelige slange.

**Advarsel** - Posekontrol-indikatoren vil blive rød hvis rengøringsmaskinen anvendes når den er fuld, hvis der findes en blokade, eller hvis filtrene er snavsede. Hvis rengøringsmaskinen anvendes i en bestemt tidsperiode når posekontrol indikatoren er rød, vil en varmeudveksler



slukke for rengøringsmaskinen for at forhindre overophedning. Posekontrolindikatoren bliver grøn, når rengøringsmaskinen er slukket for at signalere, at varmeudveksleren er blevet aktiveret. Hvis dette forekommer, sluk for rengøringsmaskinen, træk stikket ud og ret fejlen. det vil tage varmeudveksleren ca. 30 minutter at nulstille sig automatisk.

## TILBEHØR OG MUNDSTYKKER

For at opnå den bedste ydeevne og effektive udnyttelse af energien<sup>#1</sup>, anbefales det at de korrekte mundstykker anvendes til de vigtigste rengøringsformål.

Disse mundstykker er vist i illustrationerne ved bogstaverne **GP**, **HF** og **CA**.

Mundstykketypen **GP** anvendes for at rengøre både tæpper og hårde gulve.

Mundstykketypen **HF** er kun velegnet til brug på hårde gulve.

Et mundstykke af typen **CA** er kun velegnet på tæpper.

De andre mundstykker er tilbehør for specielle rengøringsopgaver og er kun anbefalede til lejlighedsvis anvendelse.

Det er vigtigt at være opmærksom på at denne støvsuger er forsynet med Energimærke som påkrævet ved Europæisk Bekendtgørelse (EU) 665/2013.

Hvis etiketten viser en rød forbudscirkel til venstre, der dækker symbolet for tæpper, indikerer dette, at støvsugeren ikke er velegnet til brug på tæpper.

Hvis etiketten viser en rød forbudscirkel til højre, der dækker symbolet for hårde gulve, indikerer dette, at støvsugeren ikke er velegnet til brug på hårde gulve..

**#1 BEMÆRK:** Evnen til at suge støv op fra tæpper, evnen til at suge støv op fra hårde gulve og energimærkning er i overensstemmelse med Kommissionens Bekendtgørelser (EU) 665/2+13 og (EU) 666/2013.

Alt tilbehør kan monteres på håndtagets ende eller for enden af røret. **[23]**

**2-i-1 værktøj** – Kombinerer to funktioner til én funktion. 2-i-1 værktøjet kan sættes på som sprækkeredskab. Hvis du drejer endestykket, omdannes det til en støvbørste. 2-i-1 værktøjet kan opbevares i rummet bag i støvsugeren. **[22]**

**Sprækkeværktøj** – Til hjørner og områder, der er vanskelige at komme til.

**Støvbørste** – Til bogreoler, rammer, tastaturer og andre sarte områder. Tryk på knappen på værktøjets hoveddel for at få børsterne frem.

**Mini-turbomundstykke til dyrehår\*** – Brug mini-turbomundstykket på trapper eller til rengøring af tekstiloverflader i dybden og andre områder, der er svære at rengøre **[1T]**.

**Mini-turbomundstykke til allergener\*** – Brug mini-turbomundstykket på trapper eller til rengøring af tekstiloverflader i dybden og andre områder, der er svære at rengøre. **[1U]**

**Stort turbomundstykke\*** – Brug turbo-mundstykket til dybderensning af tæpper. **[1V]**

**Mundstykke til parketpleje\*** – Til parketgulve og andre sarte gulve. **[1W]**

**VIGTIGT:** Anvend ikke miniturbomundstykket/ Turbomundstykke grand på små tæpper med lange frynser, dyreskjul og gulvtæppeluv dybere end 15 mm. Hold ikke mundstykket stille, mens børsten roterer.

\*Kun til visse modeller

\*\* Kun på visse modeller kan mundstykkerne variere alt efter modeltype

## BRUGERENS CHECKLISTE

Hvis du får et problem med produktet, skal du udfylde denne enkle brugercheckliste, før du ringer til den lokale Hoover-service.

- Virker strømforsyningen til støvsugeren? Kontroller venligst på et andet elektrisk apparat.
- Er støvposen overfyldt? Se venligst under "Vedligeholdelse af støvsugeren".
- Er filteret tilstoppet? Se venligst 'Rensning af filter'.
- Er slangen eller mundstykket tilstoppet? Se "Sådan fjerner du en tilstopning fra systemet".
- Er støvsugeren overophedet? Hvis den er, vil det vare ca. 30 minutter at nulstille automatisk.

## VIGTIGE OPLYSNINGER

### Hoover-reservedele og -forbrugsstoffer

Udskift altid dele med ægte Hoover-reservedele. Disse fås fra den lokale Hoover-forhandler eller direkte fra Hoover, Når du bestiller dele, skal du altid opgive modelnummer.

Microfiber Bag	H63	35600536
Pre-Motor Filter & Exhaust Filter Kit	U63	35601193
Complete Flexible Hose	D128	35601194
Carpet & Floor Extra Nozzle	G221EE	35601635
Carpet & Floor Smart Nozzle	G200SE	35601593
Hard Floor Smart Nozzle	G222SE	35601636
Easy Parquet Nozzle	G131PC	35601196
Mini Turbo Nozzle	J46	35601116

### Hoover-service

Hvis du ønsker service på dine produkter, skal du kontakte det lokale Hoover-servicekontor.

### Kvalitet

BSI ISO 9001

Hoovers fabrikker er blevet vurderet uafhængigt for kvalitet. Vores produkter fremstilles med brug af et kvalitetssystem, der opfylder kravene i henhold til ISO 9001.

### Din reklamationsret

Garantibetingelserne for dette apparat er som defineret af vores repræsentant i det land, hvor det er solgt. Oplysninger vedrørende disse betingelser kan indhentes hos den forhandler, apparatet er købt hos. Kvitteringen skal fremvises i forbindelse med ethvert krav under disse garantibetingelser.

Ret til ændringer uden varsel forbeholdes.

## INSTRUKSJONER FOR SIKKER BRUK

Dette apparatet må kun brukes til husrengjøring, og slik denne bruksanvisningen beskriver. Sørg for at denne veiledningene er forstått fullstendig før du bruker apparatet.

Apparatet må ikke forlates mens det er tilkoblet strømmettet. Slå alltid av apparatet og koble fra støpselet etter bruk samt før apparatet rengjøres eller vedlikeholdes.

Apparatet kan brukes av barn fra 8 år, og av personer med nedsatte fysiske, sanselige eller mentale evner, eller manglende erfaring og kunnskap, dersom de er under oppsyn eller har fått opplæring i sikker bruk av apparatet og forstår farene bruk av apparatet kan medføre. Barn skal ikke leke med apparatet. Rengjøring og vedlikehold skal ikke utføres av barn uten oppsyn.

Bruken av apparatet må opphøre umiddelbart dersom strømledningen er skadet. Unngå sikkerhetsfarer ved å la en autorisert HOOVER-tekniker skifte ut strømledningen.

Hold hender, føtter, løse klær og hår unna roterende børster.

Bruk kun tilbehør, forbruksvarer eller reservedeler som anbefales eller leveres av HOOVER.

**Statisk elektrisitet:** Enkelte tepper kan bygge opp små mengder statisk elektrisitet. Utladning av statisk elektrisitet er ikke helseskadelig.

Du må ikke bruke apparatet utendørs, på våte overflater eller til å støvsuge væske.

Du må ikke støvsuge harde eller skarpe objekter, varm aske, sigarettneiper eller andre liknende gjenstander.

Apparatet må ikke utsettes for eller støvsuge opp brennbare væsker, rengjøringsmidler, aerosoler eller damp fra slike væsker.

Unngå å kjøre over ledningen eller trekke ut støpselet under bruk.

All bruk av apparatet må opphøre hvis det viser tegn på feilfunksjon.

**HOOVER-service:** For å sikre at apparatet fortsetter å fungerer på en trygg og effektiv måte, anbefaler vi at service- og reparasjonsarbeid kun utføres av autoriserte HOVER-teknikere.

Du må ikke stå på ledningen eller la den vikle seg rundt armene eller bena dine under bruk.

Du må ikke bruke apparatet til å rengjøre dyr eller mennesker.

Apparatet må ikke være plassert ovenfor deg under rengjøring av trapper.

### Miljøet

Symbolet på dette apparatet indikerer at det ikke kan betraktes som husholdningsavfall. Ved avhending må apparatet overleveres til en egnet miljøstasjon for resirkulering av elektrisk og elektronisk utstyr. Avhendingen må gjennomføres i samsvar med lokale miljøforskrifter for avfallshåndtering. Du kan få mer detaljert informasjon om avfallsbehandling, gjenvinning og resirkulering av dette apparatet ved å ta kontakt med vårt nærmeste lokalkontor, renovasjonsetaten eller forretningen du kjøpte apparatet hos.



**CE** Dette apparatet er i overensstemmelse med EU-direktivene 2006/95/EC, 2004/108/EC og 2011/65/EU.

HOOVER Limited, Pentrebach, Merthyr Tydfil, Mid Glamorgan, CF48 4TU, UK

## BLI KJENT MED STØVSUGEREN DIN

- |                                  |  |
|----------------------------------|--|
| A. Hovedstøvsuger                | N. Munnstykke til teppe og gulv (GP)** |
| B. Ledningsknapp                 | N1. Munnstykke for harde gulv (CA)**   |
| C. Bærehåndtak                   | N2. Dyse for harde gulv (HF)**         |
| D. Avgassfilterets deksel        | O. Pedal for overflatevalg**           |
| E. På/av-knapp                   | P. Slange                              |
| F. Teleskoprør*                  | Q. Pre-motor filter                    |
| G. Utløserknapp for teleskoprør* | R. Avgassfilter                        |
| H. Standard rör*                 | S. 2 in 1-verktøy                      |
| I. Bryter for variabel kraft*    | T. Miniturbomunnstykke for dyrehår*    |
| J. Posekontrollindikator         | U. Miniturbomunnstykke for allergen*   |
| K. Posedørens utløser            | V. Stort turbomunnstykke*              |
| L. Sugeregulator*                | W. Munnstykke for parkett*             |
| M. Håndtak                       |  |

## MONTERE STØVSUGEREN

Fjern alle komponenter fra emballasjen.

1. Koble slangen til støvsugerens hoveddel, og påse at den smetter på plass og låses fast. For å utløse: trykk inn de to knappene på slangen og trekk [2].
2. Fest håndtaket på den øvre enden av røret. [3].
3. Koble den nedre enden av slangen til munnstykket for teppe og gulv [4].

## BRUK AV STØVSUGEREN

1. Trekk ut strømledningen og sett den inn i stikkontakten. Ikke trekk ledningen utover det røde merket [5].
2. Juster teleskoprøret\* til ønsket høyde ved å bevege teleskoprørjusteringen\* oppover og heve eller senke håndtaket for å gi en mest mulig komfortabel rengjøringsposisjon [6].
3. Munnstykke til teppe og gulv. Trykk pedalen på munnstykket [7] for å velge ideell rensemodus for gulvtypen.
  - Hardt gulv:** Børstene senkes for å beskytte gulvet
  - Teppe:** Med løftede børster for den dypeste rensingen
4. Slå på støvsugerens ved å trykke på på/av-knappen på støvsugerens hoveddel. [8]
5. Juster strømnivået ved å vri på bryteren for variabel kraft\*. [9]
6. Juster sugeregulatoren\* til ønsket nivå. [10].
7. Slå av når du er ferdig med å bruke den ved å trykke på på/av-knappen. Koble fra ledningen og trykk på ledningsknappen for at ledningen skal kveiles opp i støvsugerens [11].
8. Parkering og lagring - Røret kan parkeres for midlertidig lagring mens det er i bruk eller settes i lagringsposisjon når det ikke er i bruk [12].

\*Bare enkelte modeller

\*\*Kun for enkelte modeller. Munnstykkene kan variere fra modell til modell

## VEDLIKEHOLD AV STØVSUGEREN

### Bytte støvposen

Hvis posekontrollindikatoren er rød, må du kontrollere, og hvis nødvendig, bytte ut posen.

1. Trekk ut posedørens utløser [13] for å åpne dekselet, hold i poseholderen [14] og trekk i posens krage for å fjerne posen [15].
2. Klistre posens forsegling, som er på posens krage, over poseinnløpet. Den fulle støvsugerposen skal bli kastet korrekt og forsiktig.
3. Brett en ny pose som vist på posen, og tilpass ved å sette kragen inn i poseholderen.
4. Sett inn poseholderen igjen og lukk posedøren.

**ADVARSEL:** - Posedøren vil IKKE kunne lukkes hvis støvposen og/eller poseholderen ikke er satt på plass i støvsugerens. Sørg alltid for at pose og poseholder er på plass når posedøren lukkes.

**Husk:** Posens kontrollindikator kan også lyse rødt hvis en foretting har oppstått. I det tilfellet må du sjekke "Fjerne en blokkering fra systemet".

### Rense filterne

For å opprettholde optimal ytelse for din støvsuger, må du vaske filterne etter hver 5. posebytte.

#### Rengjøring av pre-motor-filteret:

1. Trekk opp posedørens utløserknapp [13] for å åpne dekselet og fjerne poseholderen.
2. For å fjerne pre-motor-filteret, gli pre-motorens filterramme fra støvsugerens. [16]
3. Fjern filteret fra holderen. [17]
4. Vask det i lunkent vann, [20] og la det tørke godt før du plasserer det i støvsugerens [21].

#### Rengjøring av avgassfilteret:

1. For å fjerne avgassfilteret, løsne avgassfilterets deksel [18] og fjern filterpakken. [19]
2. Vask filteret i lunkent vann, [20] og la det tørke godt før du plasserer det i støvsugerens. [21].

**Husk:** Ikke bruk for varmt vann eller vaskemidler. I det usannsynlige tilfellet at filteret blir ødelagt, tilpass en erstatning fra Genuine Hoover. Ikke prøv å bruk produktet uten en støvpose eller filter innsatt.

#### Rengjøre den permanente stoff-støvposen\*

For å opprettholde optimal ytelse, anbefaler vi å vaske den permanente stoff-støvposen under varmt vann etter hver 5. gang den fylles opp. Tørk bort overflødig vann og la det tørke helt før det settes på plass igjen.

#### Fjerne en blokkering fra systemet

Hvis posens kontrollindikator lyser eller blinker:

1. Kontroller om posen er full. Hvis det er tilfellet, sjekk "Bytte støvposen".
2. Hvis den ikke er full, så:
  - A. Trenger filteret å bli rensert? Hvis det er tilfellet, sjekk "Rense filteret".
  - B. Kontroller om det finnes andre tilstoppinger i systemet - Bruk en stake eller annen lang gjenstand til å fjerne tilstoppingen fra teleskoprøret eller slangen.

**ADVARSEL:** - Posens kontrollindikator vil bli rød hvis renseren er brukt når den er full, hvis det er en blokkering eller hvis filteret er skittent. Hvis støvsugerens blir brukt i en utstrakt periode med posens kontrollindikator rød, vil en nedstenging slå av støvsugerens for å hindre overoppheting. Posens kontrollindikator blir grønn med en gang renseren har blitt slått av

for å signalisere at avstenging har blitt aktivert. Hvis dette skulle skje, slå støvsugeren av, koble fra og rett feilen. Det vil ta omtrent 30 minutter for at nedstengingen skal automatisk nullstilles.

## TILBEHØR OG MUNNSTYKKER

For å oppnå optimal ytelse og energieffektivitet<sup>#1</sup> anbefales det at det brukes riktig munnstykke for de største rengjøringsjobbene.

Munnstykkene indikeres i diagrammene med bokstavene **GP**, **HF** eller **CA**.

Et **GP**-munnstykke kan brukes til å støvsuge både tepper og harde gulv.

Et **HF**-munnstykke egner seg kun for bruk på harde gulv.

Et **CA**-munnstykke egner seg kun for bruk på tepper.

De andre munnstykkene er tilbehør for spesialiserte rengjøringjobber. Det anbefales kun å bruke disse til spesialiserte oppgaver.

Det er viktig å merke seg at denne støvsugeren leveres med en energietikett, slik det kreves av Euforskrift (EU) 665/2013.

Hvis etiketten viser en rød "forbudt"-sirkel over teppesymbolet på venstre side, betyr dette at støvsugeren ikke er egnet for bruk på tepper.

Hvis etiketten viser en rød "forbudt"-sirkel over symbolet for harde gulv på høyre side, betyr dette at støvsugeren ikke er egnet for bruk på harde gulv..

<sup>#1</sup> **MERK:** Evne til å støvsuge på tepper, evne til å støvsuge på harde gulv og energieffektivitet i henhold til kommisjonsforordningene (EU) 665/2013 og (EU) 666/2013.

Alt tilbehør kan monteres på enden av håndtaket eller enden på røret. **[23]**

**2 i 1-verktøy** – To funksjoner i ett, 2 i 1-verktøyet kan kobles til som et verktøy for sprekker. Ved å vri på endestykket gjøres det om til en støvbørste. 2 i 1-verktøyet kan enkelt oppbevares på enden av støvsugeren. **[22]**

**flatt munnstykke**, – til hjørner og steder som er vanskelige å komme til.

**støvbørste** – for bokhyller, rammer, tastatur og andre ømfintlige områder. For å forlenge børstene trykk på knappen på kroppen på verktøyet.

**Miniturbomunnstykke for dyrehår\*** – Bruk miniturbomunnstykke i trapper eller for dyp rengjøring av tekstiler og andre områder som er vanskelige å rengjøre **[1T]**.

**Miniturbomunnstykke for allergen\*** – Bruk miniturbomunnstykket i trapper eller for dyp rengjøring av tekstiler og andre områder som er vanskelige å rengjøre. **[1U]**

**Stort turbomunnstykke\*** – bruk turbomunnstykke til dyp rengjøring av tepper. **[1V]**

**Munnstykke for parkett\*** – For parkettgulv og andre ømtålige gulv. **[1W]**

**VIKTIG:** Ikke bruk grand turbo- og miniturbomunnstykkene på tepper med lange frynser, dyreskinn eller på tepper med en tråddybde på mer enn 15 mm. Munnstykket må holdes i stadig bevegelse mens børsten roterer.

\*Bare enkelte modeller

\*\*Kun for enkelte modeller. Munnstykkene kan variere fra modell til modell

## SJEKKLISTE FOR BRUKER

Hvis du har problemer med produktet, går du gjennom denne enkle kontrollisten før du ringer ditt lokale Hoover-servicekontor.

- Får støvsugeren tilført strøm? Prøv å koble annet elektrisk utstyr til stikkkontakten
- Er støvposen overfylt? Vennligst sjekk "Vedlikehold av støvsugeren"
- Er filteret blokkert? Vennligst sjekk "Rense filteret".
- Er slangen eller munnstykket blokkert? Vennligst sjekk "Fjern en blokkering fra systemet".
- Er støvsugeren overopphetet? Hvis det er tilfellet vil det ta omtrent 30 minutter før den blir automatisk nullstilt

## VIKTIGE OPPLYSNINGER

### Originaldeler fra Hoover

Bruk alltid originale deler fra Hoover. Disse er tilgjengelige fra din lokale Hoover-forhandler eller direkte fra Hoover. Når du bestiller deler, må du alltid oppgi modellnummeret ditt.

Microfiber Bag	H63	35600536
Pre-Motor Filter & Exhaust Filter Kit	U63	35601193
Complete Flexible Hose	D128	35601194
Carpet & Floor Extra Nozzle	G221EE	35601635
Carpet & Floor Smart Nozzle	G200SE	35601593
Hard Floor Smart Nozzle	G222SE	35601636
Easy Parquet Nozzle	G131PC	35601196
Mini Turbo Nozzle	J46	35601116

### THoover-service

Hvis du på noe tidspunkt skulle trenge service, ber vi deg kontakte ditt lokale Hoover-servicekontor.

### Kvalitet

BSI ISO 9001

Hoovers fabrikker har blitt uavhengig kvalitetsvurdert. Våre produkter produseres ved å bruke et kvalitetssystem som er i samsvar med ISO 9001.

### Din garanti

Garantibetingelsene for dette apparatet er som definert av vår representant i det landet der det ble solgt. Detaljer vedrørende disse betingelsene fås fra forhandleren der apparatet ble kjøpt. Salgskvittingen må fremvises ved fremsetting av krav under betingelsene i denne garantien..

Kan endres uten forvarsel.

## INSTRUKTIONER FÖR SÄKER ANVÄNDNING

Som beskrivs i denna bruksanvisning, får denna apparat endast användas vid städning av hemmet. Se till att du förstår anvisningarna helt innan du börjar använda maskinen.

Lämna aldrig denna apparat inkopplad. Stäng alltid av apparaten och dra ut kontakten ur vägguttaget efter användning eller innan rengöring av produkten eller utföring av en underhållsåtgärd.

Den här apparaten kan användas av barn från 8 års ålder och personer med en nedsatt fysisk, sensorisk eller mental förmåga och som inte har den erfarenhet och kunskaper som behövs, förutsatt att de övervakas eller har fått instruktioner om hur apparaten används på ett säkert vis och förstår riskerna som är involverade. Barn får inte leka med apparaten. Rengöring och underhåll som användaren ska utföra, får inte göras av barn utan överinseende.

Om nätsladden är skadad, sluta då omedelbart att använda produkten. För att undvika en säkerhetsrisker, måste en auktoriserad servicetekniker från HOOVER byta nätsladden.

Håll händer, fötter, lösa klädesplagg och hår borta från roterande borstar.

Använd endast tillbehör, förbrukningsartiklar eller reservdelar som rekommenderas eller levererats av HOOVER.

**Statisk elektricitet:** Vissa mattor kan orsaka en liten uppbyggnad av statisk elektricitet. Elektrostatiska urladdningar är inte hälsofarliga.

Använd inte apparaten ut ur dörrar eller på något vått underlag eller för våtupptagning.

Plocka inte upp hårda eller vassa föremål, tändstickor, het aska, fimpar eller andra liknande föremål.

Plocka inte upp eller spraya med brandfarliga vätskor, rengöringsmedel, aerosoler eller ångor.

Kör inte över sladden när du använder apparaten eller dra ut kontakten genom att dra i sladden.

Fortsätt inte att använda apparaten om den verkar defekt.

**HOOVER service:** För att säkerställa en fortsatt säker och effektiv drift av denna apparat rekommenderar vi att service eller reparationer endast utförs av en auktoriserad servicetekniker från HOOVER.

Stå inte på sladden eller vira den runt armar eller ben när du använder apparaten.

Använd inte apparaten för att rengöra djur eller människor.

Placera inte apparaten ovanför dig när du rengör trappor.

### Miljön

Symbolen på apparaten indikerar att denna produkt inte får behandlas som hushållsavfall. Den måste i stället lämnas in på uppsamlingsplats för återvinning av elektrisk och elektronisk utrustning. Avfallshanteringen ska utföras enligt de lokala miljöbestämmelserna. För mer information om hantering, återvinning och återanvändning av denna produkt, kontakta din kommun, lokala myndigheter och renhållningsverk eller den butik där du köpte apparaten.



**CE** Denna apparat uppfyller de europeiska direktiven 2006/95/EG, 2004/108/EG och 2011/65/EU.

HOOVER Limited, Pentrebach, Merthyr Tydfil, Mid Glamorgan, CF48 4TU, UK



## BEKANTA DIG MED DAMMSUGAREN

- |                                  |   |
|----------------------------------|---|
| A. Huvudfilter                   | N. Matt- och golvmunstycke (GP)**                 |
| B. Pedal för sladdindragning     | N1. Munstycke för mattor (CA)**                   |
| C. Bärhandtag                    | N2. Munstycke för hårda golv (HF)**               |
| D. Skydd för utblåsningsfilter   | O. Pedal för val av yta**                         |
| E. På/av-pedal                   | P. Slang  |
| F. Teleskoprör*                  | Q. Förmotorfilter                                 |
| G. Avtryckare för teleskoprör*   | R. Utblåsningsfilter                              |
| H. Standard rör*                 | S. 2-i-1-verktyg                                  |
| I. Reglage för justerbar styrka* | T. Miniturbomunstycke för borttagning av djurhår* |
| J. Påsindikator                  | U. Allergenavlägsnande miniturbomunstycke*        |
| K. Spärr för öppning av påslucka | V. Stort turbomunstycke*                          |
| L. Sugreglerare*                 | W. Parkettmunstycke*                              |
| M. Handtag                       |   |

## SÄTTA IHOP DAMMSUGAREN

Ta ur alla delar ur förpackningen.

- Koppla i slangens i dammsugarkroppen och se till så att den knäpper i läge. För att ta loss: Tryck bara ned de två knapparna på slangändan och dra [2].
- Anslut handtaget till övre änden av röret. [3].
- Koppla rörets nedre ände till matt- och golvmunstycket [4].

## ANVÄNDA DAMMSUGAREN

- Dra ur nätsladden och koppla in den i ett vägguttag. Dra inte ut sladden längre än till den röda markeringen [5].
- Ställ in längden på teleskopröret genom att hålla i handtaget och flytta handgreppet uppåt eller nedåt till den position som är bekvämast. [6].
- Matt- och golvmunstycke. Välj det bästa rengöringsläget för den aktuella golvtypen genom att trycka på pedalen på munstycket [7].  
**Hårt golv:** Borstarna sänks ned för att skydda golvet.  
**Matta:** Borstarna dras upp för att ge djup rengöring.
- Slå på dammsugaren med På/av-pedalen på dammsugarkroppen. [8]
- Justera effektnivån genom att vrida den variabla strömspan \* . [9]
- Ställ in sugeffekten\* genom att skjuta effektreglaget till önskad nivå. [10].
- När du är klar stänger du av dammsugaren med På/av-pedalen. Dra ur kontakten och tryck på pedalen för sladdindragning för att dra in sladden i dammsugaren igen. [11].
- Parkering och förvaring - Röret kan parkeras för tillfällig förvaring medan det används, eller i förvaringsläge när det inte används.

\*Endast vissa modeller

\*\*Endast vissa modeller, munstycken kan variera beroende på modell

## UNDERHÅLL AV DAMMSUGAREN

### Utbyte av dammpåse

Om påsindikatorn är röd ska du kontrollera påsen och byta ut den vid behov.

- Lyfta spärren för öppning av påslucka [13] för att öppna skyddet, dra påsholdaren tillbaka [14] och dra ringen runt påsen för att ta ut påsen [15].
- Använd "peel and seal"-klistermärket, som du finner på ringen runt påsen, på påsens inlopp. Den fulla dammpåsen skall kastas bort korrekt och försiktigt.
- Vik en ny påse enligt anvisningarna på påsen, och sätt i den genom att föra in påskragen i påshållaren.
- Återmontera påsholdaren och stäng påsdörren.

**Varning** - Påsdörren kan INTE stängs om påsen och/eller påsholdaren inte är fastmonterade till dammsugaren. Se alltid till att påsen och påsholdaren är fastmonterade innan du stänger påsdörren.

**Kom ihåg:** Påsindikatorn kan också bli röd om det har skett en tilltäppning. Se "Ta bort ett stopp i systemet" i detta fall.

### Rengöring av filter

För att bibehålla optimal prestanda hos din dammsugare ska filtret tvättas efter vart femte påsbyte.

### Rengöra förmotorfiltret

- Lyfta spärren för öppning av påslucka [13] för att öppna skyddet och ta ut påsholdaren.
- För att ta ut förmotorfiltret, ta bort förmotorfiltrets ram från dammsugaren. [16]
- Ta bort filtret från holdaren. [17]
- Tvätta i ljummet vatten [20] och låt det torka ordentligt innan det sätts tillbaka i dammsugaren [21].

### Rengöra utblåsningsfiltret

- För att ta bort utblåsningsfiltret, haka loss utblåsningsskyddet [18] och ta bort filterpacken. [19]
- Tvätta i ljummet vatten [20] och låt det torka ordentligt innan det sätts tillbaka i dammsugaren. [21].

**Kom ihåg:** Använd inte hett vatten eller rengöringsmedel. Om filtren mot förmodan skulle skadas ska de ersättas med en äkta Hoover-reservdel. Använd inte produkten utan dammpåse eller filter.

### Så rengör du den fasta tygdampåsen\*

För att behålla optimal prestanda rekommenderar vi att du tvättar den fasta tygdampåsen i ljummet vatten efter var femte tömning. Ta bort överflödigt vatten och låt det torka helt innan du använder det igen.

### Ta bort ett stopp i systemet

Gör följande om påsindikatorn tänds:

- Kontrollera om påsen är full. Gå i så fall till "Utbyte av dammpåse".
- Om påsen inte är full:
  - Behöver filtren rengöras? Gå i så fall till avsnittet "Rengöring av filter".
  - Kontrollera om det är något annat stopp i systemet. - Använd en stång eller liknande för att ta bort det som eventuellt blockerar röret eller den böjliga slangens.

**Varning** - Påsindikatorn blir röd om dammsugaren används när påsen är full, om det är

stopp i systemet eller om filtren är smutsiga. Om dammsugaren används en längre tid medan påsindikatorn är röd, stänger en värmesäkring av dammsugaren för att förhindra överhettning. Påsindikatorn slår om till grönt när dammsugaren har stängts av, för att indikera att värmesäkringen har aktiverats. Om detta inträffar slår du av dammsugaren, drar ut sladden och rättar till felet. Det tar omkring 30 minuter för säkringen att automatiskt återställas.

## TILLBEHÖR OCH MUNSTYCKEN

För att uppnå bästa prestanda och energieffektivitet<sup>#1</sup> rekommenderas det att rätt munstycke används för de huvudsakliga städarbetena.

Dessa munstycken visas i diagrammen med beteckningarna **GP**, **HF** och **CA**.

Ett munstycke av typen **GP** kan användas till att rengöra både mattor och hårda golv.

Ett munstycke av typen **HF** är endast lämpligt för användning på hårda golv.

Ett munstycke av typen **CA** är endast lämpligt för användning på mattor.

De andra munstyckena är tillbehör för specialrengöring och rekommenderas endast för enstaka rengöringstillfällen.

Det är viktigt att observera att denna dammsugare är försedd med en energimärkning som krävs enligt förordning (EU) 665/2013.

Om märket har en röd förbudscirkel till vänster som täcker mattsymbolen, visar detta att dammsugaren inte är lämplig för användning på mattor.

Om märket har en röd förbudscirkel till höger som täcker symbolen för hårt golv, visar detta att dammsugaren inte är lämplig för användning på hårda golv.

**#1 OBS!** Dammupptagningsförmåga på mattor, dammupptagningsförmåga på hårda golv samt energieffektivitet i enlighet med kommissionens förordning (EU) 665/2013 och (EU) 66/2013.

Alla tillbehör passar i änden av handtaget eller röret. **[23]**

**2-i-1-verktyg** – Kombinerar två funktioner i ett, 2-i-1-verktyget kan anslutas som ett verktyg för springor. Ved att vrida ändstycket görs det om till en dammborste. 2-i-1-verktyget kan förvaras enkelt på baksidan av dammsugaren. **[22]**

**Verktyg för springor** – För hörn och svåråtkomliga utrymmen.

**Dammborste** – För bokhyllor, ramar, tangentbord och andra känsliga utrymmen. Fäll ut borstarna genom att trycka på knappen på verktygets kropp.

**Miniturbomunstycke för borttagning av djurhår\*** – Använd miniturbomunstycket i trappor eller för djuprengöring av textilytor och andra svårrengjorda ytor **[1T]**.

**Allergenavlägsnande miniturbomunstycke\*** – Använd miniturbomunstycket i trappor eller för djuprengöring av textilytor och andra svårrengjorda ytor. **[1U]**

**Stort turbomunstycke\*** – Använd turbomunstycket för djuprengöring av mattor. **[1V]**

**Parkettmunstycke\*** – För parkettgolv och andra känsliga golv. **[1W]**

\*Endast vissa modeller

\*\*Endast vissa modeller, munstycken kan variera beroende på modell

**VIKTIGT:** Använd inte det stora turbomunstycket eller miniturbomunstycket på mattor med långa fransar, djurfällor eller mattor med högre lugg än 15 mm. Håll inte munstycket stilla på en plats när borsten roterar.

## CHECKLISTA FÖR ANVÄNDAREN

Om du får problem med produkten fyller du i den här enkla kontrollistan innan du ringer till den lokala Hoover-servicerepresentanten.

- Har dammsugaren tillgång till fungerande strömförsörjning? Kontrollera genom att koppla in en annan eldriven apparat
- Är dammpåsen överfylld? Se "Underhåll av dammsugaren"
- Är filtret igensatt? Se "Rengöra filtret".
- Är slangen eller munstycket igensatt? Se "Ta bort ett stopp i systemet".
- Är dammsugaren överhettad? Det tar omkring 30 minuter för säkringen att automatiskt återställas.

## VIKTIG INFORMATION

### Reserv- och förbrukningsdelar från Hoover

Använd alltid originaldelar från Hoover vid byte. Du kan beställa delar från närmaste Hoover-återförsäljare eller direkt från Hoover. Uppge alltid modellnummer när du beställer delar.

Microfiber Bag	H63	35600536
Pre-Motor Filter & Exhaust Filter Kit	U63	35601193
Complete Flexible Hose	D128	35601194
Carpet & Floor Extra Nozzle	G221EE	35601635
Carpet & Floor Smart Nozzle	G200SE	35601593
Hard Floor Smart Nozzle	G222SE	35601636
Easy Parquet Nozzle	G131PC	35601196
Mini Turbo Nozzle	J46	35601116

### Hoover-service

Kontakta ditt närmaste Hoover-servicekontor om du behöver service.

### kvalitet

BSI ISO 9001

Hoovers fabriker har kvalitetsbedömts av oberoende organisationer. Våra produkter tillverkas enligt ett kvalitetssystem som uppfyller kraven för ISO 9001.

### Garanti

Garantivillkoren för produkten definieras av vår representant i det land där produkten säljs. Du kan få uppgifter om aktuella villkor från återförsäljaren. Kvittot måste visas upp när man kräver ersättning enligt garantin.

Uppgifterna kan ändras utan föregående meddelande.

## OHJEET TURVALLISTA KÄYTTÖÄ VARTEN

Tämä laite on tarkoitettu ainoastaan kotikäyttöön tämän käyttöoppaan kuvaamalla tavalla. Tutustu tähän käyttöoppaaseen huolellisesti ennen laitteen käyttöä.

Älä jätä laitetta kytketyksi virtaan. Kytke laitteesta virta ja irrota virtajohto virtalähteestä aina käytön jälkeen ja ennen kuin puhdistat laitteen tai teet huoltotoimenpiteitä.

Tätä laitetta voivat käyttää yli 8-vuotiaat lapset ja henkilöt joilla on vähentynyt fyysinen, aistillinen tai henkinen kyky tai ei kokemusta tai tietoja, mikäli näille on annettu ohjausta ja valvontaa koskien laitteen turvallista käyttöä ja ymmärtävät käyttöön liittyvät vaaratekijät. Lapset eivät saa leikkiä laitteella. Käyttäjän suorittamaan puhdistusta ja huoltoa ei tule suorittaa lasten toimesta ilman valvontaa.

Lopeta laitteen käyttö välittömästi, jos virtajohto on vahingoittunut. Turvallisuusriskin välttämiseksi valtuutetun Hoover-huoltoliikkeen tulee vaihtaa virtajohto.

Pidä kädet, jalat, löysät vaatteet ja hiukset loitolla pyörivistä harjoista.

Käytä ainoastaan Hooverin toimittamia tai suosittelemia kiinnityskappaleita, lisävarusteita tai varaosia.

**Staattinen sähkö:** Jotkin matot voivat aiheuttaa vähäisen määrän staattista sähköä. Staattisen sähköön purkaus ei ole vaarallista terveydelle.

Älä käytä laitettasi ulkona tai märällä alustalla. Älä imuroi nesteitä.

Älä imuroi kovia tai teräviä esineitä, tulitikkuja, kuumaa tuhkaa, tupakantumppeja tai muita vastaavia esineitä.

Älä ruiskuta laitteelle tai imuroi laitteella syttyviä nesteitä, puhdistusnesteitä, aerosoleja tai näiden höyryjä.

Älä aja laitteella verkkojohdon yli tai irrota pistoketta virtalähteestä johdosta vetämällä.

Älä käytä laitetta, jos se vaikuttaa vialliselta.

**HOOVER-huolto** Laitteen käyttöturvallisuuden ja tehokkaan toiminnan varmistamiseksi huolto ja korjaukset kannattaa antaa valtuutetun Hoover-huoltoliikkeen tehtäväksi.

Älä seiso johdon päällä tai kierrä sitä käsien tai jalkojen ympärille laitetta käyttäessäsi.

Älä käytä laitetta ihmisten tai eläinten puhdistamiseen.

Älä aseta laitetta yläpuolellesi, kun imuroit portaita.

### Ympäristö

Tässä laitteessa oleva symboli osoittaa, että laitetta ei saa hävittää kotitalousjätteenä. Se täytyy luovuttaa sähkö- ja elektroniikkalaitteiden keräyspisteeseen kierrätystä varten. Hävittäminen on suoritettava paikallisten jätteiden hävittämistä koskevien ympäristösäännösten mukaisesti. Saat lisätietoja tämän laitteen käsitlemisestä, hyötykäytöstä ja kierrätyksestä paikallisilta viranomaisilta, kotitalouksien ja muiden jätteiden jätehuollosta tai liikkeestä, josta ostit laitteen.



**CE** Tämä laite on valmistettu Euroopan direktiivien 2006/95/EY, 2004/108/EY ja 2011/65/EU mukaisesti.

HOOVER Limited, Pentrebach, Merthyr Tydfil, Mid Glamorgan, CF48 4TU, UK

## IMURIN OSAT

- |                                       |   |
|---------------------------------------|---|
| A. Imurin runko                       | N. Matto- ja lattiasuulake (GP)**               |
| B. Johdon kelauspoljin                | N1. Mattosuulake (CA)**                         |
| C. Kantokahva                         | N2. Lauta- tai laminaattilattian suulake (HF)** |
| D. Poistosuodattimen luukku           | O. Pinnan valintapoljin**                       |
| E. Virtapoljin                        | P. Letku  |
| F. Teleskooppiputki*                  | Q. Moottorin esisuodatin                        |
| G. Teleskooppiputken vapautuspainike* | R. Poistosuodatin                               |
| H. Standard putki*                    | S. 2 in 1 -suutin                               |
| I. Tehon säätöpyörä*                  | T. Pieni eläinkarvatehosuutin*                  |
| J. Pölypussin merkkivalo              | U. Pieni allergiatehosuutin*                    |
| K. Pölypussilokeron vapautussalpa     | V. Tehosuutin*                                  |
| L. Imun säädin*                       | W. Parkettisuutin*                              |
| M. Kahva                              |   |

## IMURIN KOKOAMINEN

Pura kaikki osat pakkauksesta.

- Liitä letku imurin runkoon ja varmista, että se naksahda ja lukittuu paikalleen. Irrotus: paina kumpaakin letkun päässä olevaa painiketta ja vedä [2].
- Liitä kädensija putken yläpäähän. [3].
- Liitä matto- ja lattiasuutin putken alapäähän [4].

## IMURIN KÄYTTÖ

- Vedä verkkojohto esiin ja kytke pistoke virtalähteeseen. Vedä johto ulos enintään punaiseen merkkiin asti [5].
- Säädä teleskooppiputki\* sopivalle korkeudelle siirtämällä teleskooppiputken\* sovitin ylös ja siirtämällä kädensija ylös tai alas mukavimpaan työskentelyasentoon [6].
- Matto- ja lattiasuulake. Paina suulakkeen [7] lattiatyyppin valitsinta ja valitse lattiaan sopiva imurointitapa.  
**Kova lattia:** Harjat ovat alhaalla lattian suojaamiseksi.  
**Matto:** Harjat yläasennossa, jotta matto puhdistuu perusteellisesti.
- Käynnistä imuri painamalla päärunгон käynnistyspoljinta. [8]
- Säädä tehotaso kääntämällä tehon säätöpyörää\*. [9]
- Säädä imutehon säädin\* halutulle tasolle. [10].
- Sammuta imuri käytön päätyttyä painamalla virtapoljinta. Irrota pistoke virtalähteestä ja kelaajaa johto takaisin imuriin painamalla kelauspainiketta [11].
- Säilytys ja varastointi - Teleskooppiputki voidaan asettaa väliaikaisesti sivuun käytön aikana tai säilytysasentoon, kun sitä ei käytetä [12].

\*Vain joissakin malleissa

\*\*Vain joissakin malleissa, suulakkeet saattavat vaihdella mallista riippuen

## IMURIN KUNNOSSAPITO

### Pölypussin vaihto

Jos pölypussin merkkivalon väri on punainen, tarkista pölypussi ja vaihda tarvittaessa.

- Nosta pölypussin vapautussalpa [13], avaa kansi, vedä pussin pidikkeestä [14] ja vedä pussin kauluksesta pussin [15] poistamiseksi.
- Kiinnitä pussin kauluksessa oleva sulku tarra pussin suuaukkoon. Täysi pölypussi tulee toimittaa asianmukaisesti ja varovaisesti roskeeseen.
- Taita uusi pussi siinä olevien ohjeiden mukaisesti asettamalla kaulus pussin pidikkeeseen.
- Laita pussin pidike paikalleen ja sulje luukku.

**Varoitus** - Pussi luukku EI sulkeudu, jos pölypussia ja/tai pussin pidikettä ei ole laitettu imuriin. Varmista aina, että pussi ja pussin pidike ovat paikoillaan pussin luukku sulkiessasi.

Muista: Pölypussin merkkivalo saattaa olla punainen myös, kun laitteessa on tukos. Katso tällöin lisätietoja kohdasta "Tukoksen poistaminen imurista".

### Suodattimien puhdistaminen

Imurisi parhaan mahdollisen tehokkuuden säilyttämiseksi pese suodattimet joka 5. pussinvaihdon yhteydessä.

### Moottorin esisuodattimen puhdistaminen

- Avaa luukku nostamalla pussin luukun vapautussalpa [13] ja poista pussin pidike.
- Poista moottorin esisuodatin irrottamalla moottorin esisuodattimen kehys imurista. [16]
- Irrota suodatin pidikkeestä. [17]
- Pese se kädenlämpöisellä vedellä [20] ja anna sen kuivua läpikotaisin ennen imuriin [21] asettamista.

### Poistosuodattimen puhdistaminen

- Irrota poistosuodatin avaamalla poistosuodattimen luukun [18] kiinnitin ja poista suodatinpakkauksen. [19]
- Pese suodatin kädenlämpöisellä vedellä [20] ja anna sen kuivua läpikotaisin ennen imuriin asettamista. [21].

**Muista:** Älä käytä kuumaa vettä tai pesuaineita. Jos suodatin vaurioituu, mikä on epätodennäköistä, hanki tilalle aito Hoover-varaosaa. Älä yritä käyttää imuria ilman pölypussia tai suodatinta.

### Kiinteän kangaspölypussin puhdistaminen\*

Parhaan mahdollisen suorituskyvyn säilyttämiseksi suosittelemme, että kiinteä kangaspölypussi pestään kädenlämpöisellä vedellä joka 5. täyden pussin jälkeen. Poista liika vesi ja anna kuivua kokonaan ennen takaisin asentamista.

### Tukoksen poistaminen imurista

Jos pölypussin merkkivalo on päällä tai se vilkkuu:

- Tarkista, onko pölypussi täynnä. Jos on, katso ohjeet kohdasta "Pölypussin vaihto".
- Jos pölypussi ei ole täynnä, tarkista:
  - Ovatko suodattimet puhdistuksen tarpeessa? Jos ovat, katso lisätietoja kohdasta "Suodattimien puhdistus".
  - Tarkista, onko järjestelmässä muuta tukosta. - Poista tukos teleskooppiputkesta tai taipuisasta letkusta tikun tai sauvan avulla.

**Varoitus** - Pölypussin merkkivalon väri on punainen, jos imuria käytetään kun pölypussi

on täynnä, imurissa on tukos tai suodattimet vaativat puhdistusta. Jos imuria käytetään huomattavan kauan samalla kun pölypussin merkkivalon väri on punainen, lämpötilaan perustuva turvakatkaisin katkaisee virran imurista estääkseen sen ylikuumentumisen. Pölypussin merkkivalon väri muuttuu vihreäksi, kun imuri on sammunut sen merkiksi, että lämpötilaan perustuva turvakatkaisu on otettu käyttöön. Jos näin tapahtuu, kytke imuri pois päältä, irrota pistorasiasta ja korjaa vika. Turvakatkaisu nollautuu itsestään noin 30 minuutin kuluessa.

## LISÄVARUSTEET JA SUUTTIMIT

Parhaan suorituskyvyn ja energiatehokkuuden<sup>#1</sup> saavuttamiseksi on suositeltavaa käyttää oikeanlaisia suulakkeita.

Kaavioissa näihin suulakkeisiin viitataan kirjainyhdistelmillä **GP**, **HF** ja **CA**.

Suulaketyyppi **GP** soveltuu sekä mattojen että kovan lattian puhdistukseen.

Suulaketyyppi **HF** soveltuu ainoastaan kovan lattian puhdistukseen.

Suulaketyyppi **CA** soveltuu ainoastaan mattojen puhdistukseen..

Muut suulakkeet ovat lisävarusteita erityisiä puhdistustoimenpiteitä varten ja niitä suositellaan käytettävän vain satunnaisesti.

On tärkeää huomata, että tällä imurilla on komission asetuksen (EU) 665/2013 mukainen energiamerkintä.

Jos energiamerkin vasemmassa laidassa on matto-symbolin peittävä punainen kieltoympyrä, imuri ei sovellu käytettäväksi matoilla.

Jos energiamerkin oikeassa laidassa on kova lattia -symbolin peittävä punainen kieltoympyrä, imuri ei sovellu käytettäväksi kovalla lattialla.

**#1 HUOMAA:** Komission asetusten (EU) 665/2013 ja (EU) 666/2013 mukaiset energiatehokkuus, kyky kerätä pöly matolta ja kyky kerätä pöly kovalta lattialta.

Kaikki lisävarusteet sopivat kahvan tai putken päähän. **[23]**

**Kaksitoimisuutin** – Suuttimessa on kaksi toimintoa, ja sitä voidaan käyttää rakosuuttimena. Suutin voidaan muuttaa pölyharjaksi päätyosaa kiertämällä. Kaksitoimisuutinta voidaan säilyttää kätevästi imurin takapuolella. **[22]**

**Rakosuutin** – Nurkkia ja vaikeapääsisiä kohteita varten.

**Pölysuutin** – Kirjahyllyjä, kehyksiä, näppäimistöjä ja muita kevyttä imutehoa vaativia paikkoja varten. Harjakset saa esiin painamalla suuttimen painiketta.

**Pieni eläinkarvatehosuutin\*** – Pienellä tehosuuttimella voit imuroida portaita tai syväpuhdistaa tekstiilipintoja ja muita vaikeasti puhdistettavia paikkoja **[1T]**.

**Pieni allergiatehosuutin\*** – Pienellä tehosuuttimella voit imuroida portaita tai syväpuhdistaa tekstiilipintoja ja muita vaikeasti puhdistettavia paikkoja. **[1U]**

**Tehosuutin\*** – Tehosuuttimen avulla voit syväpuhdistaa mattoja. **[1V]**

**Parkettisuutin\***– Parketin ja muiden arkojen lattiapintojen imurointiin. **[1W]**

\*Vain joissakin malleissa

\*\*Vain joissakin malleissa, suulakkeet saattavat vaihdella mallista riippuen

**TÄRKEÄÄ:** Älä käytä suurta tai pientä tehosuutinta imuroidessasi pitkähapsullisia mattoja, eläinten taljoja tai mattoja, joiden nukan pituus on yli 15 mm. Älä pidä suutinta paikallaan harjan pyöriessä.

## VIANMÄÄRITYSLISTA

Jos laitteen käytössä ilmenee ongelmia, käy läpi nämä vianmääritysohjeet ennen kuin otat yhteyttä paikalliseen Hoover-huoltoon.

- Toimiiko virtalähde? Tarkista tämä toisella sähkölaitteella
- Onko pölypussi täyttynyt äärimmilleen? Katso ohjeet kohdasta "Imurin kunnossapito"
- Onko suodatin tukkeutunut? Katso ohjeet kohdasta "Imurin puhdistaminen".
- Onko letku tai suutin tukossa? Katso ohjeet kohdasta "Tukoksen poistaminen imurista".
- Onko imuri ylikuumentunut? Turvakatkaisu nollautuu itsestään noin 30 minuutin kuluessa

## TÄRKEÄÄ TIETOA

### Hoover-varaosat ja kulutustarvikkeet

Käytä vain alkuperäisiä Hoover-varaosia. Niitä on saatavana paikalliselta Hoover- jälleenmyyjältä tai suoraan Hooverilta. Mainitse varaosatilauksen yhteydessä imurin tyyppinumero.

Microfiber Bag	H63	35600536
Pre-Motor Filter & Exhaust Filter Kit	U63	35601193
Complete Flexible Hose	D128	35601194
Carpet & Floor Extra Nozzle	G221EE	35601635
Carpet & Floor Smart Nozzle	G200SE	35601593
Hard Floor Smart Nozzle	G222SE	35601636
Easy Parquet Nozzle	G131PC	35601196
Mini Turbo Nozzle	J46	35601116

### Hoover-huolto

Ota huoltoon liittyvissä asioissa yhteyttä paikalliseen Hoover-huoltoon.

### Laatu

BSI ISO 9001

Hooverin tuotantolaitoksissa on tehty riippumaton laadunarviointi. Tuotantoprosessimme täyttävät ISO 9001 -laatujärjestelmän vaatimukset.

### Takuu

Tämän laitteen takuuehdot määrittelee ostomaan Hoover-edustaja. Yksityiskohtaiset tiedot näistä ehdoista saa laitteen myyneeltä jälleenmyyjältä. Tämän takuun mukaisia vaateita esitettäessä on esitettävä myyntitodistus tai ostokuitti.

Oikeus muutoksiin pidätetään.



## ΟΔΗΓΙΕΣ ΑΣΦΑΛΟΥΣ ΧΡΗΣΗΣ

Η συσκευή πρέπει να χρησιμοποιείται αποκλειστικά για οικιακή χρήση, σύμφωνα με τις οδηγίες χρήσης. Βεβαιωθείτε ότι κατανοήσατε τις οδηγίες πριν να λειτουργήσετε τη συσκευή.

Μην αφήνετε τη συσκευή συνδεδεμένη στην πρίζα. Πριν τον καθαρισμό της συσκευής ή οποιασδήποτε εργασία συντήρησης, πρέπει να απενεργοποιείτε τη συσκευή και να την αποσυνδέετε από την πρίζα.

Η χρήση της συσκευής από παιδιά άνω των 8 ετών, ηλικιωμένους και ΑΜΕΑ προϋποθέτει την παρουσία ενήλικα που θα φέρει την ευθύνη για την ασφαλεία τους. Η χρήση της συσκευής από άτομα που δεν έχουν εξοικειωθεί στη χρήση παρόμοιων συσκευών μπορεί να γίνει μόνο αφού γίνει κατανοητός ο κίνδυνος που ενέχει η χρήση της συσκευής. Μην αφήνετε τα παιδιά να παίζουν με τη συσκευή. Οι εργασίες καθαρισμού και συντήρησης της συσκευής από τα παιδιά πρέπει να γίνονται με την επίβλεψη ενήλικα που θα φέρει την ευθύνη για την ασφαλεία τους.

Εάν το καλώδιο σύνδεσης με το δίκτυο παροχής εμφανίσει φθορές διακόψτε την λειτουργία της συσκευής αμέσως. Για λόγους ασφαλείας η αντικατάσταση του καλωδίου πρέπει να γίνει αποκλειστικά από εξουσιοδοτημένο προς τούτο τεχνικό HOOVER.

Μην πλησιάζετε τις περιστρεφόμενες βούρτσες με τα χέρια, τα πόδια, τα μαλιά ή τα ρούχα σας.

Χρησιμοποιείτε αποκλειστικά γνήσια εξαρτήματα, ανταλλακτικά και αναλώσιμα HOOVER.

**Στατικός ηλεκτρισμός:** Ορισμένα χαλιά μπορεί να προκαλέσουν συσσώρευση στατικού ηλεκτρισμού. Τυχόν στατικές εκκενώσεις δεν είναι επικίνδυνες για την υγεία.

Μην χρησιμοποιείτε τη συσκευή σας σε εξωτερικούς χώρους, σε υγρή επιφάνεια ή για τη συλλογή υγρών.

Μην συλλέγετε με τη συσκευή σκληρά ή αιχμηρά αντικείμενα, καυτή στάχτη, αποτσίγαρο ή άλλα παρόμοια αντικείμενα.

Μην ψεκάζετε ή συλλέγετε εύφλεκτα υγρά, υγρά καθαρισμού, αερολύματα ή τους ατμούς τους.

Ενώσω χρησιμοποιείτε τη συσκευή δεν πρέπει να πατάτε επάνω στο καλώδιο, μην τραβάτε το καλώδιο για να αποσυνδέσετε τη συσκευή από την παροχή.

Εάν η συσκευή εμφανίσει κάποια βλάβη μην συνεχίσετε να την χρησιμοποιείτε.

**Τεχνική Υποστήριξη Hoover :** Για την διατήρηση της ασφαλούς και αποτελεσματικής λειτουργίας της συσκευής οι επεμβάσεις συντήρησης και αποκατάστασης βλαβών πρέπει να γίνονται αποκλειστικά μέσω των εξουσιοδοτημένων τεχνικών HOOVER..

Μην στέκεστε πάνω στο καλώδιο και μην το περιτυλίγετε γύρω από τα χέρια ή τα πόδια σας ενώσω η συσκευή βρίσκεται σε λειτουργία.

Μην χρησιμοποιείτε τη συσκευή για να καθαρίζετε ζώα ή άτομα.

Μην τοποθετείτε πάνω σας τη συσκευή όταν καθαρίζετε τις σκάλες.

### Περιβάλλον

Το σύμβολο πάνω σε αυτή τη συσκευή υποδεικνύει ότι αυτή η συσκευή δεν μπορεί να αντιμετωπιστεί σαν κοινό οικιακό απόβλητο. Αντίθετα, πρέπει να παραδοθεί στο πλησιέστερο κέντρο συλλογής για την ανακύκλωση ηλεκτρικού και ηλεκτρονικού εξοπλισμού. Η απόρριψη της συσκευής πρέπει να γίνει σύμφωνα με την ισχύουσα κατά τόπο νομοθεσία για την απόρριψη ηλεκτρονικών και ηλεκτρικών αποβλήτων. Για πιο λεπτομερείς πληροφορίες σχετικά με την επεξεργασία, την ανάκτηση και την ανακύκλωση αυτής της συσκευής, επικοινωνήστε με την κατά τόπους αρμόδια αρχή, την υπηρεσία αποκομιδής οικιακών απορριμμάτων ή το κατάστημα από το οποίο αγοράσατε τη συσκευή.

**CE** Αυτή η συσκευή πληροί τις υπ' αριθμ. 2006/95/EC, 2004/108/EC και 2011/65/EU Ευρωπαϊκές Οδηγίες.

HOOVER Limited, Pentrebach, Merthyr Tydfil, Mid Glamorgan, CF48 4TU, UK

## ΕΞΟΙΚΕΙΩΣΗ ΜΕ ΤΗ ΣΚΟΥΠΑ

- |  |   |
|--|---|
| A. Σώμα της σκούπας                            | N. Ακροφύσιο χαλιών και δαπέδου (GP)**          |
| B. Πεντάλ τυλίγματος καλωδίου                  | N1. Ακροφύσιο χαλιών (CA)**                     |
| C. Λαβή μεταφοράς                              | N2. Ακροφύσιο (στόμιο) για σκληρά δάπεδα (HF)** |
| D. Κάλυμμα φίλτρου εξόδου                      | O. Πεντάλ επιλογής επιφάνειας**                 |
| E. Πεντάλ (On/Off)                             | P. Εύκαμπτος σωλήνας                            |
| F. Τηλεσκοπικός σωλήνας*                       | Q. Φίλτρο εξόδου                                |
| G. Κουμπί απελευθέρωσης τηλεσκοπικού σωλήνα*   | R. Φίλτρο εξόδου                                |
| H. Standard σωλήνα*                            | S. Εργαλείο 2 σε 1                              |
| I. Περιστροφικό χειριστήριο μεταβλητής ισχύος* | T. Ακροφύσιο Mini Turbo για τριχές κατοικίδιων* |
| J. Δείκτης ελέγχου σακούλας                    | U. Ακροφύσιο Mini Turbo για αλλεργιογόνα*       |
| K. Μάνδαλο απελευθέρωσης θύρας σακούλας        | V. Ακροφύσιο Grand Turbo*                       |
| L. Ρυθμιστής αναρρόφησης*                      | W. Ακροφύσιο για παρκέ*                         |
| M. Λαβή  |   |

## ΣΥΝΑΡΜΟΛΟΓΗΣΗ ΤΗΣ ΣΚΟΥΠΑΣ ΣΑΣ

Αφαιρέστε όλα τα εξαρτήματα από τη συσκευασία.

1. Συνδέστε τον εύκαμπτο σωλήνα στο κυρίως σώμα της σκούπας, διασφαλίζοντας ότι έχει ασφαλίσει και στερεωθεί στη σωστή θέση. Για να τον απασφαλίσετε: απλώς πιέστε τα δύο πλήκτρα που υπάρχουν στο άκρο του εύκαμπτου σωλήνα και τραβήξτε [2].
2. Συνδέστε τη λαβή στο άνω άκρο του σωλήνα. [3].
3. Συνδέστε το ακροφύσιο χαλιών και δαπέδου στο κάτω άκρο του σωλήνα [4].

## ΠΩΣ ΝΑ ΧΡΗΣΙΜΟΠΟΙΗΣΕΤΕ ΤΗ ΣΚΟΥΠΑ

1. Ξετυλίξτε το καλώδιο και συνδέστε το σε μια πρίζα ρεύματος. Μην τραβάτε το καλώδιο πέραν της κόκκινης σήμανσης [5].
2. Ρυθμίστε τον τηλεσκοπικό\* σωλήνα στο επιθυμητό ύψος μετακινώντας το ρυθμιστή τηλεσκοπικού\* σωλήνα επάνω και ανυψώστε ή χαμηλώστε τη λαβή στην πιο άνετη θέση καθαρισμού [6].
3. Ακροφύσιο χαλιών και δαπέδου. Πατήστε το πεντάλ στο πέλμα [7] για να επιλέξετε τον ιδανικό τρόπο καθαρισμού για το συγκεκριμένο τύπο πατώματος.  
**Σκληρά δάπεδα:** Οι βούρτσες χαμηλώνουν για την προστασία του δαπέδου  
**Χαλί:** Με τις βούρτσες ανασηκωμένες για το βαθύτερο καθαρισμό
4. Ενεργοποιήστε τη σκούπα πατώντας το πεντάλ λειτουργίας (On/Off) στο σώμα της σκούπας. [8]
5. Ρυθμίστε το επίπεδο ισχύος περιστρέφοντας το χειριστήριο ελέγχου μεταβλητής ισχύος\*. [9]
6. Θέστε το ρυθμιστή αναρρόφησης\* στο επιθυμητό επίπεδο. [10].
7. Απενεργοποιήστε στο τέλος της χρήσης πατώντας το πεντάλ λειτουργίας (On/Off). Βγάλτε από την πρίζα και πατήστε το πεντάλ τυλίγματος καλωδίου για να τυλιχτεί πάλι το καλώδιο ρεύματος μέσα στη σκούπα [11].
8. Στάθμευση και αποθήκευση - Ο σωλήνας μπορεί να σταθμευθεί για προσωρινή αποθήκευση ενώ βρίσκεται σε χρήση, ή στη θέση αποθήκευσης όταν βρίσκεται σε χρήση [12].

\*Μόνο ορισμένα μοντέλα

\*\*Μόνο για ορισμένα μοντέλα, τα ακροφύσια (στόμια αναρρόφησης) ενδέχεται να διαφέρουν ανάλογα με το μοντέλο

## ΣΥΝΤΗΡΗΣΗ ΤΗΣ ΣΚΟΥΠΑΣ

### Αντικατάσταση της σακούλας σκόνης

Εάν ο δείκτης ελέγχου σακούλας είναι κόκκινος παρακαλώ ελέγξτε και, εάν χρειάζεται, αντικαταστήστε τη σακούλα.

1. Πατήστε το μάνδαλο απελευθέρωσης της θύρας σακούλας [13] για να ανοίξει το κάλυμμα, τραβήξτε το συγκρατητή της σακούλας [14] και τραβήξτε το κολάρο της σακούλας για να την αφαιρέσετε [15].
2. Κολλήστε το αυτοκόλλητο που βρίσκεται στο κολάρο της σακούλας, στην είσοδο της σακούλας. Μια γεμάτη σακούλα σκόνης πρέπει να απορρίπτεται σωστά και προσεκτικά.
3. Διπλώστε μια καινούρια σακούλα σύμφωνα με τις οδηγίες που υπάρχουν επάνω στη σακούλα και τοποθετήστε την, τοποθετώντας το κολάρο στο στήριγμα της σακούλας.
4. Επανατοποθετήστε τον συγκρατητή σακούλας και κλείστε τη θύρα της σακούλας.

Προειδοποίηση - Η θύρα της σακούλας ΔΕΝ θα κλείσει εάν δεν έχετε τοποθετήσει στην σκούπα την σακούλα σκόνης ή/και τον συγκρατητή σακούλας. Πάντα να διασφαρίζετε ότι η σακούλα και ο συγκρατητής σακούλας βρίσκονται στη θέση τους όταν κλείνετε τη θύρα της σακούλας.

Να θυμάστε: Η ένδειξη ελέγχου σακούλας μπορεί, επίσης, να είναι κόκκινη εάν έχει φράξει. Σε αυτή την περίπτωση, ανατρέξτε στην παράγραφο «Αφαίρεση εμπλοκής από το σύστημα»..

### Καθαρισμός των φίλτρων

Για να διατηρήσετε την ηλεκτρική σκούπα σας σε άριστη κατάσταση, να πλένετε τα φίλτρα πριν το μοτέρ μετά από κάθε 5 αλλαγές σακούλας.

### Καθαρισμός του φίλτρου πριν το μοτέρ:

1. Σηκώστε το μάνδαλο απελευθέρωσης της θύρας σακούλας [13] για να ανοίξει το κάλυμμα και αφαιρέστε τον συγκρατητή της σακούλας.
2. Για να αφαιρέσετε το φίλτρο πριν το μοτέρ, ολισθήστε το πλαίσιο φίλτρου πριν το μοτέρ για να το βγάλετε έξω από τη σκούπα. [16]
3. Αφαιρέστε το φίλτρο από τον συγκρατητή. [17]
4. Πλύνετε το με χλιαρό νερό [20] και αφήστε το να στεγνώσει καλά πριν το τοποθετήσετε και πάλι στη σκούπα [21].

### Καθαρισμός του φίλτρου εξόδου:

1. Για να αφαιρέσετε το φίλτρο εξόδου, ξεκουμπώστε το κάλυμμα φίλτρου εξόδου [18] και αφαιρέστε το σύστημα φίλτρων. [19]
2. Πλύνετε το φίλτρο με χλιαρό νερό [20] και αφήστε το να στεγνώσει καλά πριν το τοποθετήσετε και πάλι στη σκούπα. [21].

Να θυμάστε: Μην χρησιμοποιείτε καυτό νερό ή καθαριστικά. Στη σπάνια περίπτωση που θα προκληθεί ζημιά στα φίλτρα, τοποθετήστε ένα γνήσιο ανταλλακτικό φίλτρο Hoover. Μη δοκιμάζετε να χρησιμοποιείτε το προϊόν χωρίς τοποθετημένα τη σακούλα σκόνης ή το φίλτρο.

### Καθαρισμός της μόνιμης υφασμάτινης σακούλας σκόνης\*

Για βέλτιστη απόδοση συνιστούμε να πλένετε τη μόνιμη υφασμάτινη σακούλα σκόνης με χλιαρό νερό μετά από κάθε 5 γεμάτες σακούλες. Απομακρύνετε τα υπολείμματα νερού και αφήστε τη να στεγνώσει εντελώς πριν την τοποθετήσετε.

## Αφαίρεση εμπλοκής από το σύστημα

Εάν ο δείκτης ελέγχου της σακούλας ανάβει ή αναβοσβήνει:

1. Ελέγξτε εάν η σακούλα είναι γεμάτη. Εάν ναι, ανατρέξτε στην ενότητα «Αντικατάσταση της σακούλας σκόνης».
2. Εάν δεν είναι γεμάτη, τότε
  - A. Μήπως χρειάζονται καθάρσιμα τα φίλτρα; Εάν ναι, ανατρέξτε στην ενότητα «Καθαρισμός φίλτρου».
  - B. Ελέγξτε εάν έχει φράξει κάπου άλλο το σύστημα - Χρησιμοποιήστε μια ράβδο ή ένα ξύλο για να αφαιρέσετε τυχόν έμφραξη από το σωλήνα Teletube ή από τον εύκαμπτο σωλήνα.

Προειδοποίηση - Ο δείκτης ελέγχου της σακούλας θα ανάψει κόκκινος, εάν η σκούπα χρησιμοποιείται με γεμάτη σακούλα ή εάν υπάρχει εμπλοκή ή εάν τα φίλτρα είναι βρόμικα. Εάν η σκούπα χρησιμοποιείται για μεγάλο χρονικό διάστημα με το δείκτη ελέγχου της σακούλας κόκκινο, ένας θερμικός ασφαλειοδιακόπτης θέτει τη σκούπα εκτός λειτουργίας για να αποτρέψει τυχόν υπερθέρμανση. Ο δείκτης ελέγχου της σακούλας θα γίνει πράσινος όταν η σκούπα τεθεί εκτός λειτουργίας, σηματοδοτώντας την ενεργοποίηση του θερμικού ασφαλειοδιακόπτη. Εάν συμβεί κάτι τέτοιο, θέστε τη σκούπα εκτός λειτουργίας, αποσυνδέστε την από την πρίζα και αποκαταστήστε το πρόβλημα. Θα χρειαστούν περίπου 30 λεπτά για την αυτόματη επαναφορά του συστήματος μετά την ενεργοποίηση του ασφαλειοδιακόπτη.

## ΕΞΑΡΤΗΜΑΤΑ ΚΑΙ ΑΚΡΟΦΥΣΙΑ

Για να πετύχετε τις καλύτερες επιδόσεις και υψηλή ενεργειακή απόδοση<sup>#1</sup> συνιστάται να χρησιμοποιείτε τα σωστά ακροφύσια για τις βασικές εργασίες καθαρισμού. Αυτά τα ακροφύσια απεικονίζονται στα σχέδια με τα γράμματα **GP**, **HF** ή **CA**.

Το ακροφύσιο τύπου **GP** μπορεί να χρησιμοποιηθεί τόσο για τον καθαρισμό χαλιών όσο και πατωμάτων.

Το ακροφύσιο τύπου **HF** είναι κατάλληλο για χρήση μόνο σε σκληρά δάπεδα.

Το ακροφύσιο τύπου **CA** είναι κατάλληλο για χρήση μόνο σε χαλιά.

Τα υπόλοιπα ακροφύσια προορίζονται για ειδικές εργασίες καθαρισμού και πρέπει να χρησιμοποιούνται μόνο για το συγκεκριμένο σκοπό.

Είναι σημαντικό να σημειωθεί ότι η ηλεκτρική σκούπα συνοδεύεται από ενεργειακή ετικέτα σύμφωνα με τα ισχύοντα από την 665/2013 Ευρωπαϊκή οδηγία.

Εάν η ετικέτα εμφανίζει έναν κόκκινο απαγορευτικό κύκλο στα αριστερά που καλύπτει ένα σύμβολο χαλιού, αυτό είναι ένδειξη ότι η σκούπα δεν είναι κατάλληλη για χρήση σε χαλιά.

Όταν στην ετικέτα στα δεξιά υπάρχει το απαγορευτικό σύμβολο με το κύκλο που καλύπτει ένα σύμβολο πατώματος, σημαίνει ότι η σκούπα είναι ακατάλληλη για χρήση σε σκληρά δάπεδα.

**#1 ΣΗΜΕΙΩΣΗ:** Η ικανότητα απορρόφησης σκόνης σε χαλιά και σκόνης σε σκληρά δάπεδα όπως και η ενεργειακή απόδοση ανταποκρίνονται στις υπέρριθμ 665/2013 και 666/2013 της Ε.Ε.

Όλα τα εξαρτήματα μπορούν να τοποθετηθούν στο άκρο της λαβής ή του εύκαμπτου σωλήνα. **[23]**

**Εργαλείο 2 σε 1** – Συνδυάζει δύο λειτουργίες σε μία, το εργαλείο 2 σε 1 μπορεί να συνδεθεί ως εργαλείο με λεπτό άκρο. Αν περιστρέψετε το άκρο θα μετατραπεί σε βούρτσα ξεσκονίσματος. Το εργαλείο 2 σε 1 μπορεί να αποθηκευθεί στο πίσω μέρος της σκούπας. **[22]**

**Εργαλείο με λεπτό άκρο** – Για γωνίες και δυσπρόσιτα σημεία.

**Βούρτσα ξεσκονίσματος** – Για ράφια, πλαίσια, πληκτρολόγια και άλλες ευαίσθητες περιοχές. Για να προεκτείνετε τις βούρτσες, πατήστε το κουμπί στο σώμα του εργαλείου.

**Ακροφύσιο Mini Turbo για τρίχες κατοικίδιων\*** – Χρησιμοποιήστε το μίνι πέλμα turbo για τις σκάλες ή για τον βαθύ καθαρισμό υφασμάτων επιφανειών και άλλων σημείων που καθαρίζονται δύσκολα **[1T]**.

**Ακροφύσιο Mini Turbo για αλλεργιογόνα\*** – Χρησιμοποιήστε το μίνι ακροφύσιο τούρμπο για τις σκάλες ή για τον βαθύ καθαρισμό υφασμάτων επιφανειών και άλλων σημείων που καθαρίζονται δύσκολα. **[1U]**

**Ακροφύσιο Grand Turbo\*** – Χρησιμοποιήστε το ακροφύσιο τούρμπο για βαθύ καθαρισμό των χαλιών. **[1V]**

**Ακροφύσιο για παρκέ\*** – Για ξύλινα και άλλα ευαίσθητα δάπεδα. **[1W]**

**ΣΗΜΑΝΤΙΚΟ:** Μη χρησιμοποιείτε τα ακροφύσια grand turbo και μίνι τούρμπο σε χαλιά με μακριά κρόσσια, σε προβιές και χαλιά με πέλος μεγαλύτερο των 15 χιλιοστών. Μην κρατάτε το ακροφύσιο ακίνητο ενώ περιστρέφεται η βούρτσα.

## ΚΑΤΑΛΟΓΟΣ ΕΛΕΓΧΟΥ ΧΡΗΣΤΗ

Εάν αντιμετωπίσετε πρόβλημα με το προϊόν, συμπληρώστε αυτόν τον απλό κατάλογο ελέγχου χρήστη πριν επικοινωνήσετε με το τοπικό τμήμα σέρβις της Hoover.

- Υπάρχει ενεργός ρευματοδότης (πρίζα) για την ηλεκτρική σκούπα; Ελέγξτε το με κάποια άλλη ηλεκτρική συσκευή
- Η σακούλα σκόνης είναι υπερπλήρης; Ανατρέξτε στην ενότητα «Συντήρηση σακούλας»
- Είναι φραγμένο το φίλτρο; Ανατρέξτε στην ενότητα «Καθαρισμός φίλτρου».
- Είναι φραγμένο το ακροφύσιο ή ο εύκαμπτος σωλήνας; Ανατρέξτε στο κεφάλαιο «Απομάκρυνση σκουπιδιού από το σύστημα»
- Μήπως υπερθερμάνθηκε η σκούπα; Εάν ναι, η αυτόματη επαναφορά θα διαρκέσει περίπου 30 λεπτά

\*Μόνο ορισμένα μοντέλα

\*\*Μόνο για ορισμένα μοντέλα, τα ακροφύσια (στόμια αναρρόφησης) ενδέχεται να διαφέρουν ανάλογα με το μοντέλο

## ΣΗΜΑΝΤΙΚΕΣ ΠΛΗΡΟΦΟΡΙΕΣ

### Ανταλλακτικά και αναλώσιμα της Hoover

Να χρησιμοποιείτε πάντα τα γνήσια ανταλλακτικά της Hoover κατά την αντικατάσταση εξαρτημάτων. Μπορείτε να τα προμηθευτείτε από τον τοπικό αντιπρόσωπο της Hoover ή απευθείας από τη Hoover. Κατά την παραγγελία εξαρτημάτων να αναφέρετε πάντα τον αριθμό μοντέλου.

Microfiber Bag	H63	35600536
Pre-Motor Filter & Exhaust Filter Kit	U63	35601193
Complete Flexible Hose	D128	35601194
Carpet & Floor Extra Nozzle	G221EE	35601635
Carpet & Floor Smart Nozzle	G200SE	35601593
Hard Floor Smart Nozzle	G222SE	35601636
Easy Parquet Nozzle	G131PC	35601196
Mini Turbo Nozzle	J46	35601116

### Σέρβις της Hoover

Όποτε χρειαστεί να γίνει κάποια επισκευή στη συσκευή σας, επικοινωνήστε με το πλησιέστερο κέντρο επισκευών της Hoover

### Ποιότητα

BSI ISO 9001

Τα εργοστάσια της Hoover έχουν υποβληθεί σε ανεξάρτητους ποιοτικούς ελέγχους. Τα προϊόντα μας κατασκευάζονται μέσω ενός συστήματος ποιότητας το οποίο πληροί τις προδιαγραφές του προτύπου ISO 9001.

### Η εγγύησή σας

Οι προϋποθέσεις της εγγύησης για την παρούσα συσκευή είναι αυτές που ορίζονται από τον αντιπρόσωπο της χώρας στην οποία έχει πραγματοποιηθεί η πώληση. Ο αντιπρόσωπος από τον οποίο πραγματοποιείται η αγορά του προϊόντος μπορεί να σας ενημερώσει σχετικά με τις προϋποθέσεις αυτές. Για οποιαδήποτε απαίτηση που αφορά στους όρους της παρούσας απόδειξης απαιτείται η προσκόμιση του τιμολογίου ή της απόδειξης αγοράς.

Υπόκειται σε τροποποιήσεις χωρίς προειδοποίηση.

## ИНСТРУКЦИИ ПО ТЕХНИКЕ БЕЗОПАСНОСТИ

Данный прибор предназначен только для домашнего использования в соответствии с описанием, приведенным в настоящем Руководстве пользователя. Прежде чем приступить к эксплуатации данного бытового электроприбора, убедитесь в том, что вы понимаете настоящее руководство.

Не оставляйте прибор включенным в розетку. После использования или перед очисткой или обслуживанием всегда вынимайте вилку из розетки.

Дети старше восьми лет, а также лица со сниженным физическим, сенсорным или умственным развитием или отсутствием опыта или знаний об устройстве могут использовать устройство под присмотром или если они должным образом проинструктированы о безопасном использовании устройства и понимают риски, которые может повлечь собой его использование. С устройством не должны играть дети. Не следует допускать детей к очистке и обслуживанию прибора без присмотра взрослых.

Если провод питания поврежден, немедленно отключите прибор. Во избежание угрозы безопасности замену провода питания должен проводить авторизованный инженер сервисной службы HOOVER.

Не приближайте вращающиеся щетки к рукам, ногам, болтающейся одежде и волосам.

Используйте только те насадки, расходные материалы или запасные части, которые рекомендует или поставляет HOOVER.

**Статическое электричество:** Некоторые типы ковровых покрытий способны накапливать небольшой заряд статического электричества. Разряд статического электричества не представляет опасности для здоровья.

Не применяйте прибор вне помещений, на влажных поверхностях или для сбора жидкостей.

Не используйте прибор для сбора острых предметов, спичек, горячего пепла, окурков или аналогичных объектов.

Не распыляйте или не собирайте горючие жидкости, чистящие средства, аэрозоли или прочие пары.

Не перевозите свой прибор через провод питания и не тяните за провод, вынимая вилку из розетки.

В случае неисправности не следует продолжать пользоваться прибором.

**Сервисная служба HOOVER:** Для гарантии безопасной и надежной работы данного прибора мы рекомендуем приглашать авторизованных инженеров сервисной службы HOOVER для выполнения технического обслуживания и ремонта.

Не стойте на проводе и не наматывайте его на руку или ногу в процессе использования прибора.

Не пользуйтесь прибором для очистки животных или людей.

Не размещайте прибор над собой во время уборки лестниц.

### Окружающая среда:

Символ на данном приборе указывает на то, что его нельзя утилизировать вместе с бытовыми отходами. Его необходимо сдавать в соответствующий пункт приема для дальнейшей переработки электрических и электронных частей. Утилизация должна проводиться в соответствии с местными природоохранными правилами по утилизации отходов. За более подробной информацией по обращению с данным прибором, его утилизации и переработке обратитесь в местные органы власти, в службу утилизации отходов или в магазин, где вы приобрели данный прибор.



CE Данный прибор отвечает требованиям Европейских Директив 2006/95/EC, 2004/108/EC и 2011/65/EU.

HOOVER Limited, Pentrebach, Merthyr Tydfil, Mid Glamorgan, CF48 4TU, UK



## ПОЗНАКОМЬТЕСЬ С КОНСТРУКЦИЕЙ ВАШЕГО ПЫЛЕСОСА

- |   |  |
|---|--|
| A. Корпус   | N. Насадка для пола и ковров (GP)**                |
| B. Кнопка сматывания шнура                              | N1. Насадка для ковров (CA)**                      |
| C. Ручка для переноски                                  | N2. Насадка для твердых покрытий (HF)**            |
| D. Крышка выпускного фильтра                            | O. Педаль выбора поверхности**                     |
| E. Кнопка Вкл./Выкл.                                    | P. Шланг   |
| F. Телескопическая труба*                               | Q. Промываемый фильтр                              |
| G. Регулятор телескопической трубы*                     | R. Вытяжной фильтр                                 |
| H. Стандартная труба*                                   | S. Инструмент «два в одном»                        |
| I. Ролик с функциями Вкл./Выкл. и регулировки мощности* | T. Мини-турбонасадка для удаления шерсти животных* |
| J. Индикатор наполнения мешка для сбора пыли            | U. Мини-турбонасадка для удаления аллергенов*      |
| K. Защелка дверцы отсека пылесборного мешка             | V. Турбонасадка Grand*                             |
| L. Регулятор всасывания*                                | W. Насадка для паркета*                            |
| M. Рукоятка   |  |

## СБОРКА ПЫЛЕСОСА

Извлеките все составные части из упаковки.

1. Присоедините шланг к основному корпусу пылесоса, следя за тем, чтобы он плотно вошел в гнездо и защелкнулся в нужном положении. Для того, чтобы отсоединить шланг, нажмите две кнопки на конце шланга и потяните его на себя [2].
2. Присоедините рукоятку к верхнему концу трубы. [3].
3. Присоедините нижний конец трубы к насадке для чистки ковров и пола [4].

## ЭКСПЛУАТАЦИЯ ПЫЛЕСОСА

1. Извлеките шнур питания и подключите вилку шнура к розетке электропитания. Запрещается вытягивать шнур далее красной отметки [5]!
2. Установите телескопическую\* трубу на нужной высоте, передвигая регулятор телескопической\* трубы вверх, и поднимите или опустите рукоятку в удобное положение [6].
3. Насадка для чистки ковров и пола. Нажмите на педаль, предусмотренную на насадке [7], чтобы выбрать оптимальный режим чистки в зависимости от типа напольного покрытия.  
**Твердое напольное покрытие** Для защиты напольного покрытия щетки опущены  
**Ковровое покрытие:** Для более тщательной очистки щетки подняты
4. Включите пылесос, нажав кнопку Вкл./Выкл. на основном корпусе пылесоса. [8]
5. Отрегулируйте уровень мощности с помощью ролика регулировки мощности\*. [9]
6. Отрегулируйте при помощи регулятора\* мощность всасывания. [10].
7. По окончании работы выключите пылесос, нажав кнопку Вкл./Выкл. После отключения от сети питания шнур можно убрать внутрь пылесоса нажатием кнопки сматывания шнура [11].
8. Временное и длительное хранение пылесоса - Телескопическую трубу можно оставить в положении "Парковка", когда пылесос используется, или в положении "Хранение", когда он не используется [12].

\*Только для определенных моделей

\*\*Только для некоторых моделей. Форма насадки может меняться в зависимости от модели.

## ТЕХНИЧЕСКОЕ ОБСЛУЖИВАНИЕ ПЫЛЕСОСА

### Замена мешка для сбора пыли

Если индикатор переполнения пылесборника красный, проверьте состояние мешка, и в случае необходимости замените его.

1. Поднимите защелку дверцы отсека пылесборного мешка [13], чтобы открыть крышку, потяните держатель [14] и петлю мешка, чтобы извлечь пылесборник [15].
2. Примените липучку, находящуюся на петле мешка, к входному отверстию пылесборника. Утилизация полного мешка для пыли должна производиться аккуратно и правильно.
3. Сложите новый мешок, как это указано на нем, и закрепите его путем помещения горловины в держатель мешка.
4. Установите держатель мешка на прежнее место и закройте дверцу.

Предупреждение: - Дверца отсека пылесборника НЕ закроется, если мешок и/или держатель мешка не установлены в пылесос. При закрытии дверцы отсека пылесборника, мешок и держатель мешка всегда должны находиться на своем месте.

Помните! Индикатор заполнения мешка может быть красным также, если забился шланг или трубка. В это случае обратитесь к разделу "Удаление засора из системы".

### Очистка фильтров

Для поддержания максимальных рабочих характеристик пылесоса, промывайте фильтры после каждых 5 замен мешка-пылесборника.

#### Очистка фильтра электродвигателя:

1. Поднимите защелку дверцы отсека пылесборника [13], чтобы открыть крышку и выньте держатель мешка.
2. Для удаления фильтра электродвигателя выньте рамку фильтра из пылесоса. [16]
3. Выньте фильтр из держателя. [17]
4. Вымойте его в теплой воде [20] и дайте полностью просохнуть перед установкой в пылесос [21].

#### Очистка выпускного фильтра:

1. Для того, чтобы извлечь выпускной фильтр, снимите крышку выпускного фильтра [18] и выньте фильтрующий элемент. [19]
2. Вымойте фильтр в теплой воде [20] и дайте полностью просохнуть перед установкой в пылесос. [21].

Помните! Запрещается промывка горячей водой или моющими средствами. Повреждение фильтров маловероятно. Если же это произошло, замените поврежденный фильтр новым фильтром производства фирмы Hoover. Запрещается использование пылесоса без мешка для сбора пыли или установленного фильтра.

### Очистка постоянного пылесборного мешка\*

Для поддержания оптимальных рабочих параметров пылесоса, стирайте постоянный мешок в теплой воде после каждых пяти наполнений мешка. Удалите лишнюю воду из мешка и дайте ему полностью просохнуть перед установкой в пылесос.

## Удаление засора из системы

Если индикатор переполнения пылесборника светится или мигает:

1. Проверьте, не заполнен ли мешок для сбора пыли. Если заполнен, см. раздел “Замена пылесборного мешка”.
2. Если он не заполнен, тогда:
  - А. Требуется ли прочистить фильтр? Если это требуется, см. раздел “Очистка фильтра”.
  - В. Проверьте, нет ли других засорений в системе - При помощи стержня или палки прочистите телескопическую трубу или гибкий шланг.

Предупреждение: - Индикатор заполнения мешка станет красным, если мешок пылесоса полон, либо имеется засорение, либо загрязнены фильтры. Если пылесос используется с полным мешком в течение длительного времени, реле тепловой защиты отключит пылесос во избежание его перегрева. Индикатор заполнения мешка станет зеленым после выключения пылесоса, предупреждая о срабатывании реле тепловой защиты. В этом случае выключите пылесос, отсоедините его от сети питания и замените мешок. Предохранитель автоматически отключается через 30 минут.

## ПРИНАДЛЕЖНОСТИ И НАСАДКИ

Для достижения лучшей производительности и энергоэффективности<sup>#1</sup> рекомендуется правильно использовать насадки для основных операций уборки.

Эти насадки обозначены на схеме буквами **GP**, **HF** или **CA**.

Насадку типа **GP** можно использовать для очистки как ковров, так и твердых напольных покрытий.

Насадка типа **HF** подходит только для твердых напольных покрытий.

Насадка типа **CA** подходит только для ковров.

Прочие насадки являются аксессуарами для особых видов уборки и рекомендуются для использования только в определенных случаях.

Важно отметить, что данный пылесос поставляется с маркировкой энергоэффективности согласно требованиям Постановления Совета ЕС 665/2013/EU.

Если в левой части этикетки значок ковра заключен в красный запрещающий круг, это означает, что данный пылесос не пригоден для уборки ковров.

Если в правой части этикетки значок твердого напольного покрытия заключен в красный запрещающий круг, это означает, что данный пылесос не пригоден для уборки полов с твердым покрытием.

**#1 ПРИМЕЧАНИЕ:** Мощность сбора пыли с ковровых покрытий, мощность сбора пыли с твердых напольных покрытий и энергоэффективность отвечают нормам Постановлений Совета ЕС 665/2013/EU и 666/2013/EU.

Все принадлежности могут быть установлены на конце рукоятки или телескопической трубы. [23]

**Инструмент «два в одном»** – Инструмент «два в одном» сочетает две функции в одной и может использоваться как щелевая насадка. Повернув инструмент, вы можете превратить

его в щетку для уборки пыли. Инструмент «два в одном» может храниться в задней части пылесоса. [22]

**Щелевая насадка**, – Предназначена для очистки углов и труднодоступных мест.

**Щетка для удаления пыли** – Для книжных полок, рамок картин, клавиатур и прочих деликатных поверхностей. Чтобы настроить длину щеток, нажмите кнопку на корпусе устройства.

**Мини-турбонасадка для удаления шерсти животных\*** – Предназначена для чистки на ступенях или глубокой очистки тканевых поверхностей и других труднодоступных для чистки мест [1T].

**Мини-турбонасадка для удаления аллергенов\*** – Мини турбо щетка предназначена для чистки лестниц или глубокой очистки тканевых поверхностей и других труднодоступных для чистки мест. [1U]

**Турбонасадка Grand\*** – Используется для глубокой очистки ковров. [1V]

**Насадка для паркета\*** – Для деревянных полов и других полов, требующих осторожного обращения. [1W]

**ВНИМАНИЕ!** Запрещается использование турбонасадки и минитурбонасадки на коврах с длинной бахромой, на шкурах животных и на коврах с ворсом длиннее 15 мм. Не держите насадку неподвижно, в то время как вращается щетка.

## АНКЕТА ПОЛЬЗОВАТЕЛЯ

Если у Вас возникли сложности с использованием данного изделия, просим заполнить эту несложную анкету для пользователя перед обращением в местную сервисную службу компании Hoover.

- Подается ли на пылесос рабочее напряжение? Проверьте с помощью другого электрического прибора.
- Не переполнен ли мешок для пыли? См. раздел «Техническое обслуживание пылесоса».
- Не засорен ли фильтр? Если фильтр забился, см. раздел “Очистка фильтра”.
- Не засорились ли шланг или насадка? См. раздел «Устранение засоров в системе».
- Не перегрелся ли пылесос? Если это так, примерно через 30 минут он снова станет работоспособным.

\*Только для определенных моделей

\*\*Только для некоторых моделей. Форма насадки может меняться в зависимости от модели.

**ВАЖНАЯ ИНФОРМАЦИЯ**

**Запасные части и расходные материалы компании Hoover**

При замене частей используйте только штатные запасные части и расходные материалы производства компании Hoover. Их можно приобрести у вашего местного дилера компании Hoover или непосредственно в компании Hoover. При оформлении заказа на запасные части обязательно указывайте номер модели пылесоса.

Microfiber Bag	H63	35600536
Pre-Motor Filter & Exhaust Filter Kit	U63	35601193
Complete Flexible Hose	D128	35601194
Carpet & Floor Extra Nozzle	G221EE	35601635
Carpet & Floor Smart Nozzle	G200SE	35601593
Hard Floor Smart Nozzle	G222SE	35601636
Easy Parquet Nozzle	G131PC	35601196
Mini Turbo Nozzle	J46	35601116

**Сервисное обслуживание компании Hoover**

В любое время, когда потребуется сервисное обслуживание пылесоса, звоните в местный Отдел обслуживания компании Hoover.

**Качество**

BSI ISO 9001

Заводы компании Hoover прошли независимую оценку качества. Наша продукция изготавливается с применением системы качества, удовлетворяющей требованиям стандарта ISO 9001.

**Ваша гарантия**

Условия гарантии для данного бытового электрического прибора определяются нашим представителем в стране, где этот электроприбор продан. Более подробную информацию об этих условиях вы можете получить у дилера, продавшего электроприбор. При предъявлении претензий по условиям данных гарантийных обязательств, должен быть представлен чек или квитанция на проданный товар.

Изменения могут быть внесены без уведомления.

## INSTRUKCJE BEZPIECZNEGO UŻYTKOWANIA

Urządzenie to jest przeznaczone wyłącznie do użytku domowego w sposób opisany w niniejszej instrukcji użytkownika. Prosimy o dokładne zapoznanie się z instrukcją przed rozpoczęciem używania odkurzacza.

Nie pozostawiać urządzenia podłączonego do gniazdka zasilającego. Należy zawsze wyłączać urządzenie i wyjmować wtyczkę przewodu zasilającego z gniazdka po zakończeniu użytkowania, a także przed przystąpieniem do czyszczenia lub wykonywania jakichkolwiek czynności konserwacyjnych.

Urządzenie mogą obsługiwać dzieci w wieku co najmniej 8 lat, osoby o ograniczonych zdolnościach fizycznych, sensorycznych lub mentalnych, a także osoby nieposiadające odpowiedniego doświadczenia oraz wiedzy, jedynie pod warunkiem że odbywać się będzie to pod nadzorem lub po przeszkoleniu na temat bezpiecznego użycia urządzenia oraz związanych z nim zagrożeń. Dzieci nie mogą bawić się urządzeniem. Urządzenia nie powinny czyścić ani konserwować dzieci bez nadzoru.

Jeśli przewód zasilający uległ uszkodzeniu, należy natychmiast zaprzestać korzystania z urządzenia. Ze względów bezpieczeństwa przewód zasilający powinien być wymieniany wyłącznie przez serwisanta autoryzowanego punktu serwisowego HOOVER.

Nie zbliżać rąk, stóp, luźnej odzieży ani włosów do obracających się szczotek.

Należy korzystać wyłącznie z końcówek, materiałów eksploatacyjnych oraz części zamiennych zalecanych lub dostarczonych przez firmę HOOVER.

**Ładunki elektrostatyczne:** Odkurzanie niektórych dywanów może powodować niewielkie naelektryzowanie się urządzenia. Tego rodzaju ładunki elektrostatyczne nie stanowią zagrożenia dla zdrowia.

Nie używać urządzenia na zewnątrz domu, do odkurzania mokrych powierzchni ani do zbierania wody.

Nie wolno wciągać twardych lub ostrych przedmiotów, zapalek, gorącego popiołu, niedopałków papierosów ani innych podobnych przedmiotów.

Nie spryskiwać łatwopalnymi cieczami, środkami czyszczącymi w aerozolu ani parą.

Nie stąpać po przewodzie zasilającym podczas korzystania z urządzenia i nie wyjmować wtyczki, ciągnąc za przewód zasilający.

Nie kontynuować eksploatacji uszkodzonego urządzenia.

**Serwis firmy HOOVER:** Aby zapewnić bezpieczne i sprawne działanie tego urządzenia, zalecamy zlecenie prac serwisowych lub napraw wyłącznie serwisantom autoryzowanego punktu serwisowego firmy HOOVER.

Nie stawać na przewodzie zasilającym i nie owijać go sobie wokół rąk lub nóg podczas korzystania z urządzenia.

Nie używać urządzenia do odkurzania ludzi lub zwierząt.

Nie ustawiać urządzenia powyżej swojego poziomu podczas odkurzania schodów.

### Ochrona środowiska

Symbol umieszczony na urządzeniu oznacza, że nie jest ono klasyfikowane jako odpad z gospodarstwa domowego. Urządzenie należy zdać w odpowiednim punkcie utylizacji w celu recyklingu komponentów elektrycznych i elektronicznych. Urządzenie należy złomować zgodnie z lokalnymi przepisami w sprawie utylizacji odpadów. Dodatkowe informacje na temat sposobu utylizacji, złomowania i recyklingu urządzenia można uzyskać w lokalnym urzędzie miejskim, w komunalnym zakładzie utylizacji odpadów lub w sklepie, w którym produkt został zakupiony.



**CE** Urządzenie spełnia wymogi europejskich norm 2006/95/WE, 2004/108/WE oraz 2011/65/WE.

HOOVER Limited, Pentrebach, Merthyr Tydfil, Mid Glamorgan, CF48 4TU, UK

## ELEMENTY ODKURZACZA

- |  |   |
|--|---|
| A. Obudowa główna odkurzacza             | N. Szczotka dywanowo-podłogowa (GP)**               |
| B. Pedał zwijania przewodu               | N1. Ssawka do dywanów (CA)**                        |
| C. Uchwyt do przenoszenia                | N2. Ssawka do twardych podłóg (HF)**                |
| D. Pokrywa filtru wywiewnego             | O. Pedał przełączania powierzchni**                 |
| E. Pedał wł./wył.                        | P. Wąż  |
| F. Rura teleskopowa*                     | Q. Filtr przed silnikiem                            |
| G. Przycisk zwalnający rurę teleskopową* | R. Filtra wylotowego                                |
| H. Standard rury*                        | S. Szczotka 2 w 1                                   |
| I. Pokrętło zasilania*                   | T. Turboszczotka mini do usuwania sierści zwierząt* |
| J. Wskaźnik wypełnienia worka            | U. Turboszczotka mini do usuwania alergenów*        |
| K. Zatrask zwalniania kłapy worka        | V. Ssawka Grand Turbo*                              |
| L. Regulator siły ssania*                | W. Szczotka do parkietów*                           |
| M. Uchwyt                                |   |

## MONTAŻ ODKURZACZA

Wymij wszystkie elementy z opakowania.

1. Podłącz wąż do obudowy głównej odkurzacza, upewniając się, że został zatrzaśnięty i zablokowany na swoim miejscu. Aby zwolnić: naciśnij dwa przyciski na końcówce węża i pociągnij [2].
2. Podłącz uchwyt do górnego końca rury. [3].
3. Podłącz dolny koniec rury do szczotki dywanowo-podłogowej [4].

## KORZYSTANIE Z ODKURZACZA

1. Wyciągnij przewód zasilający i podłącz go do zasilania. Nie należy wyciągać przewodu poza czerwony znacznik [5].
2. Ustaw rurę teleskopową\* na żądanej wysokości, przesuwając jej regulację\* w górę i podnosząc lub opuszczając uchwyt do najwygodniejszego położenia [6].
3. Szczotka dywanowo-podłogowa. Naciśnij przycisk dolny na szczotce [7], aby wybrać odpowiedni tryb czyszczenia powierzchni.
 

**Twarda podłoga:** Szczotki są obniżone, aby chronić podłogę

**Dywan:** Uniesione szczotki, aby umożliwić głębsze odkurzenie.
4. Włącz odkurzacza, naciskając pedał znajdujący się na obudowie głównej odkurzacza. [8]
5. Dostosuj poziom mocy poprzez przekręcenie pokrętła mocy\*. [9]
6. Przesuń regulator\* ssania na odpowiedni poziom. [10].
7. Po zakończeniu pracy wyłącz odkurzacza, naciskając pedał. Wymij wtyczkę z gniazdka i naciśnij pedał zwijania przewodu, aby zwinąć przewód zasilający z powrotem do odkurzacza [11].
8. Przerwa w pracy i przechowywanie - Rurę można zablokować w bezpiecznym położeniu w trakcie przerwy w pracy lub w położeniu do przechowywania, gdy odkurzacza nie jest w użyciu [12].

\*Tylko w niektórych modelach

\*\* Jedynie w niektórych modelach. Końcówki mogą się różnić w zależności od modelu

## KONSERWACJA ODKURZACZA

### Wymiana worka na kurz

Jeśli wskaźnik wypełnienia worka zaświeci się na czerwono, należy sprawdzić i w razie potrzeby wymienić worek.

1. Podnieś zatrask zwalnający pokrywę worka [13] w celu jej otwarcia, pociągnij za uchwyt worka [14] i kołnierz worka w celu jego wyjęcia [15].
2. Nałóż nakładkę i naklejkę znajdującą się na kołnierzu worka na wlot worka. Pełny worek z kurzem należy ostrożnie usunąć w prawidłowy sposób.
3. Złóż nowy worek w sposób pokazany na worku i zamocuj go, wsuwając kołnierz w uchwyt worka.
4. Ponownie zamontuj uchwyt worka i zamknij pokrywę worka.

Ostrzeżenie - Pokrywa worka nie zamknie się, jeżeli w odkurzaczu nie został zainstalowany worek / lub uchwyt worka. Przed zamknięciem pokrywy worka sprawdź czy worek i uchwyt worka znajdują się na swoim miejscu.

Zapamiętaj: Wskaźnik wypełnienia worka może świecić również na czerwono także w przypadku wystąpienia niedrożności. W takim przypadku zobacz rozdział „Usuwanie niedrożności z układu”.

### Czyszczenie filtrów zmywalnych

Aby uzyskać optymalną wydajność odkurzacza, należy wymyć filtr po każdych 5 wymianach worka.

#### Czyszczenie filtra pre-motor.

1. Podnieś zatrask zwalnający pokrywę worka [13] w celu jej otwarcia i wyjęcia uchwytu worka.
2. W celu wyjęcia bocznego filtru znajdującego się przed silnikiem zwolnij ramkę, w której ten filtr jest zainstalowany. [16]
3. Wymij filtr z ramki. [17]
4. Wymyj go w letniej wodzie, [20] i odstaw do dokładnego wyschnięcia przed ponownym montażem w odkurzaczu [21].

#### Czyszczenie filtra wywiewu:

1. W celu wymontowania filtru wywiewnego, otwórz pokrywę filtru [18] i wymij zestaw filtrów. [19]
2. Wymyj filtr w letniej wodzie, [20] i odstaw do dokładnego wyschnięcia przed ponownym montażem w odkurzaczu. [21].

Zapamiętaj: Nie stosować gorącej wody ani detergentów. W mało prawdopodobnym przypadku uszkodzenia filtra należy zastąpić go oryginalnym filtrem Hoover. Nie wolno podejmować prób eksploatacji odkurzacza bez założonego worka na kurz lub filtra.

### Czyszczenie worka zamontowanego na stałe\*

Aby zapewnić optymalną wydajność urządzenia, zaleca się mycie worka montowanego na stałe w ciepłej wodzie, co 5 napełnień. Wyciśnij nadmiar wody z filtra i pozostaw do całkowitego wyschnięcia przed ponownym założeniem.



## Usuwanie niedrożności z układu

Jeśli wskaźnik wypełnienia worka zaświeci się lub miga:

1. Sprawdź, czy worek jest pełny. Jeśli tak, zobacz rozdział „Wymiana worka na kurz”.
2. Jeśli worek nie jest pełny:
  - A. Czy trzeba wyczyścić filtry? Jeśli tak, zobacz rozdział „Czyszczenie filtrów”.
  - B. Sprawdź, czy występują jakiegokolwiek niedrożności w układzie. - Za pomocą patyka lub pręta przetkaj rurę teleskopową lub przewód giętki.

**Ostrzeżenie** - Wskaźnik wypełnienia worka zaświeci się na czerwono, jeśli odkurzacz jest używany przy wypełnionym worku, jeśli obecna jest niedrożność lub jeśli filtry są zabrudzone. Jeżeli odkurzacz jest wykorzystywany przez dłuższy okres czasu pomimo świecenia na czerwono wskaźnika wypełnienia worka, zabezpieczenie termiczne wyłączy odkurzacz, aby nie dopuścić do jego przegrzania. Wskaźnik wypełnienia worka zaświeci się na zielono po wyłączeniu się odkurzacza, sygnalizując aktywację zabezpieczenia termicznego. W takim wypadku należy wyłączyć odkurzacz, wyjąć wtyczkę z gniazdka elektrycznego i skorygować problem. Zabezpieczenie termiczne zostanie automatycznie wyzerowane po około 30 minutach.

## AKCESORIA I SSAWKI

Aby uzyskać optymalne wyniki oraz wydajność energetyczną <sup>#1</sup>, zaleca się stosowanie prawidłowych końcówek podczas głównych czynności czyszczenia.

Ssawki są wskazane na schematach i oznaczone literami **GP**, **HF** lub **CA**.

Ssawką typu **GP** można odkurzać zarówno dywany, jak i twarde podłogi.

Ssawka typu **HF** jest odpowiednia tylko do odkurzania twardych podłóg.

Ssawka typu **CA** jest odpowiednia tylko do odkurzania dywanów.

Pozostałe ssawki to akcesoria do specjalistycznych zadań czyszczących. Zaleca się używać ich jedynie okazjonalnie.

Należy podkreślić, że niniejszy odkurzacz jest dostarczany wraz z etykietą energetyczną zgodnie z wymogami Rozporządzenia (UE) 665/2013.

Jeśli na etykiecie znajduje się czerwony znak zakazu umieszczony na symbolu dywanu, oznacza to, że ten odkurzacz nie nadaje się do odkurzania dywanów.

Jeśli na etykiecie znajduje się czerwony znak zakazu umieszczony na symbolu twardej podłogi, oznacza to, że ten odkurzacz nie nadaje się do odkurzania twardych podłóg.

**#1 UWAGA:** Wskaźnik zbierania kurzu na dywanie, wskaźnik zbierania kurzu na dywanie oraz klasa efektywności energetycznej zgodnie z Regulacjami Komisji (UE) 665/2013 i 666/2013.

Wszystkie akcesoria mogą zostać zamocowane na końcu uchwytu lub rury. **[23]**

**Szczotka 2 w 1** – Szczotka 2 w 1 łączy w sobie dwie funkcje i można ją podłączyć jako ssawkę szczelinową. Przez obrót końcówki zmienia się w szczotkę do kurzu. Szczotka 2 w 1 może być łatwo przechowana w tylnej części odkurzacza. **[22]**

**Ssawka szczelinowa** – Do odkurzania kątów i innych trudno dostępnych miejsc.

**Szczotka do kurzu** – Do pótek z książkami, ram obrazów, klawiatur i innych delikatnych miejsc. Aby wysunąć szczotki, należy nacisnąć przycisk na obudowie końcówki.

**Turboszczotka mini do usuwania sierści zwierząt\*** – Turboszczotka mini służy do odkurzania schodów lub głębokiego odkurzania powierzchni pokrytych tkaninami i innych trudnych do czyszczenia powierzchni **[1T]**.

**Turboszczotka mini do usuwania alergenów\*** – Turboszczotka mini służy do odkurzania schodów lub głębokiego odkurzania powierzchni pokrytych tkaninami i innych trudnych do czyszczenia powierzchni. **[1U]**

**Ssawka Grand Turbo\*** – Turboszczotka służy do głębokiego odkurzania dywanów. **[1V]**

**Szczotka do parkietów\*** – Do parkietów i innych delikatnych powierzchni podłogowych. **[1W]**

**WAŻNE:** Nie należy korzystać z turboszczotek grand ani turboszczotek mini do odkurzania dywaników z długimi frędzlami, skór zwierzęcych i puszystych dywanów o włosie dłuższym niż 15 mm. Nie trzymać ssawki nieruchomo, gdy szczotka się obraca.

## LISTA KONTROLNA UŻYTKOWNIKA

W razie wystąpienia problemu z urządzeniem należy skorzystać z poniższej prostej listy kontrolnej użytkownika przed skontaktowaniem się z lokalnym serwisem firmy Hoover.

- Czy gniazdko, do którego podłączono odkurzacz, jest pod napięciem? Sprawdź gniazdko elektryczne, podłączając do niego inne urządzenie elektryczne
- Czy worek na kurz jest przepelniony? Zobacz rozdział „Konserwacja odkurzacza”
- Czy filtr jest niedrożny? Zobacz rozdział „Konserwacja odkurzacza”
- Czy wąż lub szczotki są zatkane? Zobacz rozdział „Usuwanie niedrożności z układu”
- Czy nie nastąpiło przegrzanie odkurzacza? W przypadku przegrzania odkurzacz automatycznie ponownie uruchomi się po około 30 minutach

\*Tylko w niektórych modelach

\*\* Jedynie w niektórych modelach. Końcówki mogą się różnić w zależności od modelu

## WAŻNE INFORMACJE

### Części zapasowe i materiały eksploatacyjne firmy Hoover

Należy zawsze wymieniać części na oryginalne części zapasowe firmy Hoover. Można je nabyć u lokalnego przedstawiciela firmy Hoover lub bezpośrednio w firmie Hoover. Przy zamawianiu części zawsze należy podać numer danego modelu.

Microfiber Bag	H63	35600536
Pre-Motor Filter & Exhaust Filter Kit	U63	35601193
Complete Flexible Hose	D128	35601194
Carpet & Floor Extra Nozzle	G221EE	35601635
Carpet & Floor Smart Nozzle	G200SE	35601593
Hard Floor Smart Nozzle	G222SE	35601636
Easy Parquet Nozzle	G131PC	35601196
Mini Turbo Nozzle	J46	35601116

### Serwis firmy Hoover

Jeśli kiedykolwiek wymagana będzie naprawa, należy skontaktować się z lokalnym punktem serwisowym firmy Hoover.

### Jakość

BSI ISO 9001

Zakłady firmy Hoover zostały poddane niezależnej kontroli pod kątem jakości. Nasze produkty zostały wytworzone z wykorzystaniem systemu kontroli jakości spełniającego wymogi normy ISO 9001.

### Gwarancja

Warunki gwarancji na niniejsze urządzenie są określone przez naszego przedstawiciela w kraju, w którym urządzenie jest sprzedawane. Szczegółowe informacje na temat warunków gwarancji można uzyskać w punkcie, w którym urządzenie zostało nabyte. Przy zgłaszaniu wszelkich roszczeń w ramach gwarancji należy przedstawić dowód sprzedaży lub pokwitowanie.

Zastrzegamy sobie możliwość wprowadzania zmian bez wcześniejszego powiadomienia.

## NÁVOD K BEZPEČNÉMU POUŽITÍ

Tento vysavač by měl být používán pouze pro úklid domácnosti a v souladu s touto uživatelskou příručkou. Než začnete spotřebič používat, ujistěte se, že rozumíte tomuto návodu.

Nenechávejte zařízení zapnuté v zásuvce. Před čištěním nebo jakoukoli údržbou zařízení vždy vypněte a síťovou šňůru vytáhněte ze zásuvky.

Tento přístroj smí používat děti od 8 let výše a osoby se sníženými fyzickými, smyslovými nebo mentálními schopnostmi nebo s nedostatkem zkušeností a znalostí, pokud mají dozor nebo jim byly dány pokyny týkající se bezpečného používání tohoto přístroje a byly seznámeny s možnými riziky jeho používání. S přístrojem si nesmí hrát děti. Čištění a údržbu nesmí provádět děti bez dohledu.

Jestliže je poškozena síťová šňůra, okamžitě přestaňte zařízení používat. aby jste se vyhnuli ohrožení bezpečnosti, napájecí kabel musí být vyměněn autorizovaným technikem společnosti HOOVER.

Udržujte dostatečnou vzdálenost rukou, nohou, volného oděvu a vlasů z dosahu otočných kartáčů.

Používejte výhradně příslušenství, spotřební materiál a náhradní díly doporučené nebo dodávané firmou HOOVER.

**Statická elektřina** Při čištění některých koberců vzniká malé množství statické elektřiny. Výboje statické elektřiny neohrožují zdraví.

Nepoužívejte Vaše zařízení venku, na mokré povrchy nebo na mokrá vysávání.

Nevysávejte tvrdé nebo ostré předměty, zápalky, žhavý popel, cigaretové nedopalky a podobné předměty.

Nestříkejte nebo nevysávejte hořlavé kapaliny, čisticí tekutiny, aerosoly nebo jejich výpary.

Během použití zařízení nepřejíždějte přes síťovou šňůru a nevytahujte síťový kabel ze zásuvky taháním za šňůru.

Nepoužívejte zařízení, pokud vám připadá vadné.

**Servis HOOVER** Pro zajištění vždy bezpečné a efektivní práce s přístrojem doporučujeme, aby jakékoliv servisní práce nebo opravy prováděl pouze autorizovaný servisní pracovník společnosti Hoover.

Během použití zařízení nestůjte na síťové šňůře ani si ji neovíjete kolem paží či nohou.


Nepoužívejte zařízení pro čištění zvířat a osob.

Při úklidu schodů nestavte zařízení na vyšší schod, než se nacházíte vy.

### Životní prostředí

Symbol na tomto zařízení označuje, že tento výrobek nesmí být likvidován jako domovní odpad. Zařízení musí být předáno do příslušného sběrného místa pro likvidaci elektrických a elektronických zařízení. Likvidace musí proběhnout v souladu s místními ekologickými předpisy pro likvidaci odpadu. Pro další podrobné informace o zacházení, regeneraci a likvidaci tohoto zařízení prosím kontaktujte Váš místní úřad, společnost pro sběr odpadu nebo obchod, kde jste jej zakoupili.



 Tento spotřebič je v souladu s evropskými směrnicemi 2006/95/ES, 2004/108/ES a 2011/65/EU.

HOOVER Limited, Pentrebach, Merthyr Tydfil, Mid Glamorgan, CF48 4TU, UK

## SEZNÁMENÍ S VYSAVAČEM

- |   |  |
|---|--|
| A. Hlavní vysavač                         | N. Hubice na koberce a podlahy (GP)**        |
| B. Pedál k navijení kabelu                | N1. Hubice na koberce (CA)**                 |
| C. Převravní držadlo                      | N2. Hubice na tvrdé podlahy (HF)**           |
| D. Kryt výstupního filtru                 | O. Pedál pro volbu povrchu hubice**          |
| E. Pedál Zap/Vyp                          | P. Hadice                                    |
| F. Teleskopická trubice*                  | Q. Filtr před motorem                        |
| G. Tlačítko k uvolnění vysouvací trubice* | R. Výstupního filtru                         |
| H. Standardní trubice*                    | S. Nástroj 2v1                               |
| I. Regulátor příkonu*                     | T. Miniturbohubice na čištění chlupů zvířat* |
| J. Indikátor kontroly sáčku               | U. Miniturbohubice na čištění alergenů*      |
| K. Uvolňovací západka prostoru pro sáček  | V. Velká turbohubice*                        |
| L. Regulátor podtlaku*                    | W. Hubice na údržbu parket*                  |
| M. Držadlo                                |  |

## SESTAVENÍ VYSAVAČE

Vybalte všechny díly vysavače.

1. Připojte hadici k vysavači a přesvědčte se, že je spolehlivě zajištěna v provozní poloze. Při uvolnění: jednoduše stiskněte dvě tlačítka na hadici a zatáhněte za ni [2].
2. Připojte držadlo k hornímu konci trubice. [3].
3. Připojte koberecovou a podlahovou hubici k dolnímu konci trubice [4].

## JAK POUŽÍVAT VYSAVAČ

1. Vytáhněte síťovou šňůru a zapojte ji do zásuvky. Konec šňůry označuje červená značka [5].
2. Nastavovat teleskopickou trubici\* do požadované výšky přesunutím seřizovacího tlačítka teleskopické trubice\* a držadlo posunout nahoru nebo dolů do polohy nejpohodlnější pro vysávání [6].
3. Hubice na koberce a podlahy. Sešlápněte pedál na hubici [7] a zvolte vhodný režim čištění pro daný typ podlahy.
 

**Tvrdá podlaha:** Štětiny jsou vysunuté, aby nedošlo k poškrábání podlahy.

**Koberec:** Se zvednutými kartáči pro nejhlubší čištění.
4. Vysavač zapínejte a vypínejte pouze pedálem Zap/Vyp na hlavní části zařízení. [8]
5. Příkon nastavujte otáčením regulátorem příkonu\* [9]
6. Posuňte regulátor sání\* do požadované polohy. [10].
7. Po použití vysavač vypněte sešlápnutím pedálu Zap/Vyp. Vytáhněte vidlici síťové šňůry ze zásuvky a stisknutím červeného tlačítka navijete šňůru do vysavače [11].
8. Uložení a skladování - Trubici lze uložit dočasně, pokud se používá, nebo v pozici uskladnění, pokud se nepoužívá [12].

\*Pouze u některých modelů

\*\*Pouze některé modely, hubice se může lišit dle modelu

## ÚDRŽBA VYSAVAČE

### Výměna sáčku na prach

Pokud je indikátor kontroly sáčku červený, proveďte kontrolu a v případě nutnosti vyměňte sáček.

1. Zdvihněte uvolňovací západku zadních dvířek [13] pro otevření krytky, vytáhněte držák sáčku [14] a límec sáčku vytáhněte pro odebrání sáčku [15].
2. Použijte snímatelnou a zalepovací nálepkou, která se nachází na límci sáčku, k vpustnímu otvoru do sáčku. Plný sáček prachu je nutné vhodit do odpadní nádoby správným a opatrným způsobem.
3. Složte nový sáček dle vyobrazení a instalujte do vsunutím límce do držáku sáčku.
4. Držák na sáček znovu zasuňte a zadní dvířka zavřete.

Varování - Zadní dvířka se NEZAVŘOU, pokud sáček na prach a/nebo držák sáčku nejsou připevněné k vysavači. Vždy se ujistěte, že při zavírání zadních dvířek se sáček a držák sáčku nachází na svém místě.

Upozornění: Indikátor kontroly sáčku může také svítit červeně i v případě, že je sací systém ucpaný. V takovém případě postupujte podle bodu „Odstranění překážky ze sacího systému“.

### Čištění omyvatelného filtru

Chcete-li zachovat optimální účinnost vysavače, vždy po pěti výměnách sáčku omyjte filtr.

#### Čištění filtru před motorem:

1. Zdvihněte západku zadních dvířek [13] pro otevření krytu a odebrání držáku na sáček.
2. Pro odstranění filtru před motorem vysuňte rám filtru z vysavače. [16]
3. Z držáku odeberte filtr. [17]
4. Omyjte ho ve vlažné vodě [20] a nechejte ho dokonale vyschnout, než ho opět vložíte do vysavače [21].

#### Čištění výstupního filtru:

1. Pro odstranění výstupního filtru vycvakněte kryt výstupního filtru [18] a odeberte balíček s filtry. [19]
2. Filtr omyjte ve vlažné vodě [20] a nechejte ho dokonale vyschnout, než ho opět vložíte do vysavače. [21].

**Upozornění:** Nepoužívejte horkou vodu ani saponáty. V případě, že dojde k tak nepravděpodobné události jako je poškození filtru, použijte originální náhradní filtr Hoover. Nepoužívejte vysavač bez sáčku na prach nebo filtru.

#### Čištění trvalého tkaninového sáčku na prach\*

V zájmu optimální výkonnosti doporučujeme vyprat trvalý tkaninový sáček na prach ve vlažné vodě vždy po 5násobném úplném naplnění. Nechte odtéct vodu a sáček usušte před vložením zpět do vysavače.

#### Odstranění překážky ze sacího systému

Indikátor kontroly sáčku se rozsvítí nebo bliká:

1. Zkontrolujte, zda je sáček plný. Je-li plný, řiďte se podle bodu „Výměna sáčku na prach“.
2. Není-li plný, postupujte následujícím způsobem:
  - A. Je třeba vyčistit filtry? Pokud ano, viz část „Čištění filtru“.
  - B. Zkontrolujte, zda není v systému jiná překážka - K odstranění překážky z teleskopické trubice nebo hadice použijte vhodnou tyč nebo hůl.

**Varování** - Indikátor kontroly sáčku na prach se rozsvítí červeně, jestliže sáček je plný, sací systém je ucpaný nebo filtry jsou zanesené. Budete-li vysavač používat, ačkoli indikátor kontroly sáčku na prach svítí červeně, tepelná pojistka vypne vysavač, aby nedošlo k jeho přehřátí. Jakmile se vysavač vypne, indikátor kontroly sáčku na prach se rozsvítí zeleně a tím signalizuje, že byla aktivována tepelná pojistka. Pokud k tomu dojde, vypněte vysavač, odpojte ho od sítě a odstraňte závadu. Tepelná pojistka se automaticky vrátí do výchozího stavu asi po 30 minutách.

## TRYSKY A PŘÍSLUŠENSTVÍ

Chcete-li získat co nejlepší výkon a energetickou účinnost<sup>#1</sup> je doporučeno, aby byly použité správné trysky pro hlavní čističí operace.

Tyto trysky jsou uvedeny v diagramech písmeny **GP**, **HF** nebo **CA**.

Trysku typu **GP** lze použít jak pro čištění koberce tak na tvrdé podlahy.

Tryska typu **HF** je vhodá pouze pro použití na tvrdé podlahy.

Tryska typu **CA** je vhodná pouze pro použití na koberce.

Další trysky jsou příslušenství pro specializovaná čištění a jsou doporučeny pouze pro příležitostná použití.

Je důležité si uvědomit, že tento vysavač je dodáván s energetickým štítkem podle požadavků Evropského nařízení (EU) 665/2013.

Je-li označení na štítku zákazový červený kruh na levé straně pokrývající symbol koberce, pak to znamená, že vysavač není vhodné použít na koberce.

Je-li označení na štítku zákazový červený kruh na pravé straně pokrývající symbol tvrdé podlahy, pak to znamená, že vysavač není vhodné použít na tvrdé podlahy..

**#1 POZNÁMKA:** Schopnost vyzvednout prach z koberce, schopnost vyzvednout prach z tvrdé podlahy a energetická účinnost v souladu s Nařízením Komise (EU) 665/2013 a (EU) 666/2013.

Veškeré příslušenství lze upevnit na konec držadla nebo teleskopické trubice. **[23]**

**Nástroj 2 v 1** – Nástroj 2 v 1 kombinuje dvě funkce v jedné a lze jej připojit pro vysávání štěrbin. Otáčením koncovky se nástroj přemění na kartáč na prach. Nástroj 2 v 1 lze prakticky uchovávat v zadní části vysavače. **[22]**

**Štěrbínová hubice** – Na rohy a obtížně přístupná místa.

**Prachový kartáč** – Pro šetrné čištění knihoven, rámu, klávesnic a jiných citlivých povrchů. Chcete-li vysunout štětiny, stiskněte tlačítko na těle nástroje.

**Miniturbohubice na čištění chlupů zvířat\*** – Miniturbohubici používejte pro úklid schodišť nebo pro hloubkové čištění textilních povrchů a jiných obtížně přístupných ploch **[1T]**.

**Miniturbohubice na čištění alergenů\*** – Miniturbohubici používejte pro úklid schodišť nebo pro hloubkové čištění textilních povrchů a jiných obtížně přístupných ploch. **[1U]**

**Velká turbohubice\*** – Turbohubici použijte pro hloubkové čištění koberců. **[1V]**

**Hubice na údržbu parket\*** – Pro šetrné čištění parket a jiných citlivých podlahových krytin. **[1W]**

\*Pouze u některých modelů

\*\*Pouze některé modely, hubice se může lišit dle modelu

**DŮLEŽITÉ UPOZORNĚNÍ:** Nepoužívejte miniturbohubici na čištění koberců s dlouhými třásněmi, pelíšků domácích zvířat a koberců s vlasem delším než 15 mm. Pokud se kartáče otáčejí, hubice nesmí zůstat na jednom místě.

## KONTROLNÍ SEZNAM UŽIVATELE

Pokud máte jakýkoli problém s výrobkem, proveďte kontrolu podle tohoto seznamu, než se obrátíte na autorizovaný servis Hoover.

- Funguje správně elektrická zásuvka, k níž je připojen vysavač? Zkontrolujte ji pomocí jiného spotřebiče
- Není sáček na prach plný? Viz „Údržba vysavače“
- Není filtr ucpaný? Viz „Čištění filtru“.
- Není ucpaná hadice nebo hubice? Viz „Odstranění překážky ze systému“
- Není vysavač přehřátý? Pokud ano, vyčkejte cca 30 minut, než se vysavač vrátí do funkčního stavu

## DŮLEŽITÉ INFORMACE

### Náhradní díly a spotřební materiály Hoover

Vždy používejte originální náhradní díly společnosti Hoover. Získáte je u místního prodejce výrobků Hoover nebo přímo od společnosti Hoover. V objednávce dílů laskavě vždy uvádějte číslo modelu.

Microfiber Bag	H63	35600536
Pre-Motor Filter & Exhaust Filter Kit	U63	35601193
Complete Flexible Hose	D128	35601194
Carpet & Floor Extra Nozzle	G221EE	35601635
Carpet & Floor Smart Nozzle	G200SE	35601593
Hard Floor Smart Nozzle	G222SE	35601636
Easy Parquet Nozzle	G131PC	35601196
Mini Turbo Nozzle	J46	35601116

### Servis společnosti Hoover

S opravami se obračejte vždy na autorizované servisní středisko společnosti Hoover.

### Kvalita

BSI ISO 9001

Kvalita výroby ve výrobních závodech společnosti Hoover byla posouzena nezávislou organizací. Naše výrobky jsou vyráběny podle systému jakosti, který splňuje požadavky ISO 9001.

### Záruka

Záruční podmínky pro tento spotřebič stanoví náš zástupce v zemi, v níž je spotřebič prodáván. Přesné znění podmínek vám poskytne prodejce, u něhož jste si zařízení zakoupili. Při reklamaci podle těchto záručních podmínek je nutno předložit účtenku nebo doklad o nákupu.

Právo změny bez předchozího upozornění vyhrazeno.



## NAVODILA ZA VARNO UPORABO

Sesalnik lahko uporabljate le za čiščenje stanovanjskih prostorov, kot je opisano v tem priročniku. Prosimo, da se pred uporabo sesalnika temeljito seznanite s temi navodili.

Sesalnika ne puščajte priključenega na električno omrežje. Po vsaki uporabi ali pred kakršnimi koli vzdrževalnimi deli in čiščenjem naprave, sesalnik vedno izklopite in izvlecite vtikač iz električne vtičnice.

Ta aparat lahko uporabljajo otroci, starejši od 8 let, ter osebe z zmanjšanimi telesnimi, zaznavnimi in mentalnimi sposobnostmi ali osebe s pomanjkljivimi izkušnjami in znanjem, če so pod nadzorom ali so bile ustrezno podučene o varni uporabi aparata ter se zavedajo nevarnosti, ki so povezane z njegovo uporabo. Otroci se ne smejo igrati z aparatom. Otroci ne smejo čistiti ali vzdrževati aparata brez nadzora.

Če je napajalni kabel poškodovan, nemudoma prenehajte z uporabo sesalnika. Da bi se izognili nevarnosti, mora napajalni kabel zamenjati pooblaščen Hooverjev serviser.

Imejte roke, noge, ohlapna oblačila in lasje proč od vrtljivih krtač.

Uporabljajte le priključke, potrošni material ali nadomestne dele, ki jih priporoča ali dobavi podjetje Hoover.

**Statična elektrika:** Določene vrste preprog lahko ustvarijo manjšo količino statične elektrike. Kakršen koli statični električni naboj ne ogroža zdravja.

Sesalnika ne smete uporabljati na prostem, na kakršni koli mokri površini ali za sesanje tekočin.

Ne smete sesati trdih ali ostrih predmetov, vžigalic, vročega pepela, cigaretnih ogorkov ali drugih podobnih snovi.

Ne smete pršiti ali sesati vnetljivih tekočin, čistil, osvežilcev zraka ali njihovih hlapov

Ne smete zapeljati prek napajalnega kabla med uporabo sesalnika ali izvleči vtikača tako, da bi vlekli za kabel.

Ne smete nadaljevati z uporabo sesalnika, če opazite nepravilnosti v delovanju.

**Servis HOOVER:** Za zagotovitev nenehnega varnega in učinkovitega delovanja naprave priporočamo, da servisiranje ali popravila izvaja le pooblaščen Hooverjev serviser.

Med uporabo sesalnika ne smete stati na kablu ali si ga ovijati okoli rok ali nog.


Ne smete uporabljati sesalnika za čiščenje živali ali ljudi.

Sesalnika ne smete postavljati nad seboj, ko sesate stopnice.

### Okolje

Simbol na izdelku pomeni, da izdelka ne smete odstraniti kot gospodinjski odpadek. Oddati ga morate na zbirnem mestu za recikliranje električne in elektronske opreme. Odstranitev morate izvesti v skladu s krajevnimi okoljskimi predpisi glede odstranjevanja odpadkov. Za podrobnejše informacije o ravnanju z izdelkom, obnovi in recikliranju izdelka se obrnite na krajevni urad, komunalno podjetje za odvoz gospodinjskih odpadkov ali trgovino, kjer ste izdelek kupili.



 Ta naprava je v skladu z evropskimi direktivami 2006/95/ES, 2004/108/ES in 2011/65/EU.

HOOVER Limited, Pentrebach, Merthyr Tydfil, Mid Glamorgan, CF48 4TU, UK

## SEZNANJANJE S SESALNIKOM

- |  |   |
|--|---|
| A. Glavni sesalnik   | L. Krmilnik moči sesanja*                   |
| B. Stopalka za navijanje kabla                             | M. Ročaj                                    |
| C. Ročaj za nošenje  | N. Šoba za preproge in tla (GP)**           |
| D. Pokrov izpušnega filtra                                 | N1. Nastavek za preprogo (CA)**             |
| E. Stopalka za vklop/izklop                                | N2. Nastavek za trda tla (HF)**             |
| F. Teleskopska cev*  | O. Stopalka za izbiro površin**             |
| G. Gumb za sprostitvev teleskopske cevi*                   | P. Cev                                      |
| H. Standardna cev*   | Q. Filter pred motorjem                     |
| I. Vrtljivi gumb za nadzor moči delovanja*                 | R. Izhodni filter                           |
| J. Indikator napolnjenosti vrečke                          | S. Nastavek 2 v 1                           |
| K. Zaskočni zapah za sprostitvev pokrova predala za vrečko | T. Mini turbo šoba za dlake domačih živali* |
|  | U. Mini turbo šoba za alergene delce*       |
|  | V. Velika Turbo krtača*                     |
|  | W. Nastavek za čiščenje parketa*            |

## SESTAVLJANJE SESALNIKA

Iz embalaže odstranite vse sestavne dele.

1. Gumijasto cev priključite na sesalnik in poskrbite, da se zaskoči na svoje mesto. Za sprostitvev: pritisnite gumba na cevi in potegnite [2].
2. Ročaj namestite na zgornji konec cevi. [3].
3. Na spodnji konec cevi pritrdite nastavek za sesanje preprog in tal [4].

## UPORABA SESALNIKA

1. Izvlecite napajalni kabel in ga vključite v električno vtičnico. Kabla ne vlecite naprej od rdeče oznake [5].
2. Teleskopsko\* cev prilagodite na zeleno višino, tako, da držite ročaj sesalnika najbolj udobno in to tako, da premikate prilagojevalnik gor ali dol [6].
3. Nastavek - krtača za sesanje preprog in tal. Pritisnite stopalko nastavka [7] in izberite najboljši način za čiščenje vaših tal.  
**Trde talne površine** Krtače so spuščene, da ščitijo tla.  
**Preproga:** Krtače so dvignjene zaradi globljega sesanja.
4. Sesalnik vklopite s pritiskom stopalke za vklop/izklop na osrednjem delu sesalnika. [8]
5. Moč delovanja nastavite z obračanjem gumba za nadzor moči delovanja\*. [9]
6. Nastavite krmilnik moči\* sesanja v zeleni položaj. [10].
7. Ob koncu uporabe izklopite s pritiskom stopalke za vklop/izklop. Izključite iz vtičnice in pritisnite stopalko za navijanje kabla, da napajalni kabel navijete nazaj v sesalnik [11].
8. Parkiranje in shranjevanje - Podaljševalno cev, ki jo uporabljate, lahko začasno postavite v položaj za parkiranje, cev, ki je ne uporabljate, pa v položaj za shranjevanje [12].

\*Le pri določenih modelih

\*\* Samo določeni modeli, nastavki se lahko spreminjajo glede na model.

## VZDRŽEVANJE SESALNIKA

### Zamenjava vrečke za prah

Če se indikator napolnjenosti obarva rdeče, prosimo preverite in po potrebi zamenjajte vrečko za prah.

1. Da odprete pokrov, dvignite zaskočni zapah za sprostitvev pokrova predala za vrečko [13], povlecite držalo vrečke [14] in povlecite objemko vrečke, da odstranite vrečko [15].
2. Odprtino na vrečki zaprite s samolepilno nalepko, ki se nahaja na objemki vrečke. Polno vrečko s prahom zavržite previdno stran.
3. Prepognite novo vrečko kot je prikazano, jo pritrdite na nastavek in vstavite v držalo vrečke.
4. Namestite držalo vrečke in zaprite pokrov vrečke.

Opozorilo - Pokrova vrečke NE bo možno zapreti, če vrečka za prah in/ali držalo vrečke nista nameščena. Pri zapiranju pokrova se prepričajte, da sta vrečka in držalo vrečke nameščena.

Ne pozabite: Indikator napolnjenosti vrečke bo rdeč tudi, če je prišlo do zamašitve. V tem primeru si oglejte 'Odpravljanje zamašitve'.

### Čiščenje pralnih filtrov

Da bi ohranili optimalno delovanje sesalnika, vas prosimo, da filter operete po petih zamenjanih vrečkah.

### Čiščenje pralnega filtra pred motorjem:

1. Da odprete pokrov, dvignite zaskočni zapah za sprostitvev vrat za vrečko [13] in odstranite objemko vreče.
2. Za odstranjevanje filtra pred motorjem izvlecite ohišje filtra iz sesalnika. [16]
3. Ločite filter od objemke. [17]
4. Operite ga v mlačni vodi [20] in počakajte, da se povsem posuši, preden ga namestite nazaj v sesalnik [21].

### Čiščenje izpušnega filtra:

1. Za odstranjevanje izpušnega filtra iztaknite pokrov izpušnega filtra [18] in odstranite filtrirni vložek. [19]
2. Filter operite v mlačni vodi [20] in počakajte, da se povsem posuši, preden ga namestite nazaj v sesalnik. [21].

Ne pozabite: Ne uporabljajte vroče vode ali čistil. Če bi se filtri slučajno poškodovali, jih zamenjajte z originalnimi filtri za sesalnik Hoover. Sesalnika ne uporabljajte brez vrečke za prah ali nameščenega filtra.

### Čiščenje platnene trajne vrečke za prah\*

Za vzdrževanje optimalnega delovanja sesalnika priporočamo, po 5 praznjenjih trajno vrečko za prah operete ročno v mlačni vodi. Pred zamenjavo odlijte odvečno vodo in pustite, da se popolnoma posuši.

### Odpravljanje zamašitve

Če sveti ali utripa indikator napolnjenosti vrečke:

1. Preverite, ali je vrečka za prah polna. Če je, si oglejte 'Zamenjava vrečke za prah'.
2. Če ni polna, potem;
  - A. Je treba očistiti filtre? Če je, potem si oglejte 'Čiščenje filtrov'.

B. Preverite, ali je prisotna še kakšna druga zamašitev sistema - z drogom ali palico odstranite oviro iz teleskopske ali gibljive cevi.

**Opozorilo** - Indikator napoljenosti vrečke zasveti rdeče, če sesalnik uporabljate, ko je poln, če je prišlo do zamašitve ali če so filtri umazani. Če sesalnik uporabljate dlje časa, ko sveti rdeč indikator napoljenosti vrečke, toplotno izklopno stikalo izklopi sesalnik in tako prepreči pregrevanje. Ko se sesalnik izklopi, indikator napoljenosti vrečke zasveti zeleno in s tem sporoča, da je aktivirano toplotno izklopno stikalo. Če pride do tega, sesalnik izklopite, izključite iz napajanja in odpravite težavo. Do samodejne ponastavitve izklopa pride po približno 30 minutah.

## DODATNI PRIKLJUČKI IN NASTAVKI

Da bi dobili najboljše delovanje in energetska učinkovitost<sup>#1</sup>, je priporočljivo uporabljati pravilne nastavke za glavne čistilne funkcije.

Nastavki so označeni v diagramih s črkami **GP**, **HF** ali **CA**.

**GP** tip nastavka lahko uporabljate za čiščenje preprog in trdih tal.

**HF** tip nastavka je primeren le za trda tla.

**CA** tip nastavka je primeren le za preproge..

Drugi nastavki so pripomočki namenjeni za posebno čiščenje in priporočamo le občasno uporabo.

Pomembno je vedeti, da je ta sesalnik opremljen z energijsko nalepko, kot je zahtevano po Evropski Uredbi (EU) 665/2013.

Če oznaka prikazuje rdeč prepovedni krog na levi čez simbol za preprogo, pomeni, da sesalnik ni primeren za uporabo na preprogah.

Če oznaka prikazuje rdeč prepovedni krog na levi čez simbol za trda tla, pomeni, da sesalnik ni primeren za uporabo na trdih tleh..

**#1 OPOMBA:** Sposobnost pobiranja prahu s preprog, sposobnost pobiranja prahu s trdih tal in energetska učinkovitost so v skladu z Uredbami Komisije (EU) 665/2013 in (EU) 666/2013.

Vse dodatne priključke je mogoče namestiti na konec ročaja ali na konec cevi. **[23]**

**Nastavek 2 v 1** – Omogoča dve funkciji v eni, nastavek 2 v 1 se lahko priključi kot nastavek za sesanje fug in težje dostopnih mest v prostoru. Če zavrtite zadnji del nastavka, se ta spremeni v ščetko za prah. Nastavek 2 v 1 lahko shranite na zadnjem delu sesalnika. **[22]**

**Nastavek za sesanje rež,** – za sesanje kotov in težko dostopnih predelov.

**Krtača za prah** – za knjižne police, okvirje slik, tipkovnice in druge občutljive predele. Krtačo raztegnete s pritiskom gumba na ohišju nastavka.

**Mini turbo šoba za dlake domačih živali\*** – Mini Turbo krtačo uporabljate za sesanje stopnic ali globinsko sesanje tekstilnih površin in površin, ki jih je težko čistiti **[1T]**.

**Mini turbo šoba za alergene delce\*** – Mini Turbo nastavek uporabljate za sesanje stopnic ali globinsko sesanje tekstilnih površin in površin, ki jih je težko čistiti. **[1U]**

**Velika Turbo krtača\*** – Za globinsko sesanje po preprogah uporabite turbo nastavek. **[1V]**

\*Le pri določenih modelih

\*\* Samo določeni modeli, nastavki se lahko spreminjajo glede na model.

**Nastavek za čiščenje parketa\*** – Za parketna tla in druga občutljiva tla. **[1W]**

**POMEMBNO:** Mini Turbo in velike Turbo krtače ne uporabljajte na preprogah z dolgimi resicami, na živalski koži in preprogah, ki so globlje od 15 mm. Nastavek ne sme mirovati, ko se krtača vrti.

## KONTROLNI SEZNAM ZA UPORABNIKA

Če imate težave z izdelkom, preglejte ta preprost kontrolni seznam za uporabnika, preden pokličete pooblaščen Hooverjev servis.

- Je sesalnik vključen v delujoče električno omrežje? Preverite z drugim električnim aparatom
- Je vrečka za prah preveč napolnjena? Oglejte si 'Vzdrževanje sesalnika'
- Je zamašen filter? Oglejte si 'Čiščenje filtra'.
- Je blokirana cev ali priključek? Oglejte si 'Odpravljanje zamašitve'
- Se je sesalnik pregrel? Če je tako, se bo sesalnik samodejno ponastavil po 30 minutah

## POMEMBNE INFORMACIJE

### Nadomestni deli in potrošni material Hoover

Vedno uporabljajte originalne nadomestne dele Hoover. Dobite jih pri krajevnem prodajalcu Hoover jevih izdelkov. Pri naročanju delov vedno navedite številko modela.

Microfiber Bag	H63	35600536
Pre-Motor Filter & Exhaust Filter Kit	U63	35601193
Complete Flexible Hose	D128	35601194
Carpet & Floor Extra Nozzle	G221EE	35601635
Carpet & Floor Smart Nozzle	G200SE	35601593
Hard Floor Smart Nozzle	G222SE	35601636
Easy Parquet Nozzle	G131PC	35601196
Mini Turbo Nozzle	J46	35601116

### Hooverjev servis

Če boste potrebovali servisno storitev, vas prosimo, da se obrnete na pooblaščen krajevni Hooverjev servis.

### Kakovost

BSI ISO 9001

Hooverjeve tovarne so bile predmet neodvisnega ocenjevanja kakovosti. Naši izdelki so narejeni s pomočjo sistema kakovosti, ki izpolnjuje zahteve standarda ISO 9001.

### Vaša garancija

Garancijski pogoji za to napravo so taki, kot jih določi zastopnik v državi, kjer je naprava prodana. Podrobnosti glede garancijskih pogojev lahko dobite od prodajalca, pri katerem ste napravo kupili. Če želite uveljavljati kakršno koli garancijo, potrebujete potrdilo o nakupu ali račun.

Garancija se lahko spreminja brez predhodnega obvestila.

## GÜVENLİ KULLANIM YÖNERGELERİ

Bu aygıt yalnızca bu kullanıcı kılavuzunda açıklandığı gibi konut temizliğinde kullanılmalıdır. Lütfen ürünü kullanmadan önce bu kılavuzun tam olarak anlaşıldığından emin olun.

Aygıtı prize takılı bırakmayın. Aygıtı kullanmadan veya temizlemeden önce ya da bakım işleminde önce her zaman kapatın ve fişi prizden çekin.

Bu cihaz 8 yaş ve üzeri çocuklar ve yetersiz fiziksel, duyuşal veya zihinsel kabiliyete sahip kişiler ya da deneyim ve bilgi yoksunu kişiler tarafından bir yetişkinin gözetimi veya cihazın güvenli bir şekilde kullanımı ile ilgili talimatı ve bulunan tehlikelerin açığa anlatılması ile kullanılabilirler. Çocuklar cihaz ile oynamamalıdır. Temizleme ve bakım işlemi denetimsiz şekilde çocuklar tarafından yapılmamalıdır.

Güç kablosu hasar görürse aygıtı kullanmayı derhal bırakın. Güvenliğin riske atılmaması için, elektrik kablosu mutlaka yetkili HOOVER servis teknisyeni tarafından değiştirilmelidir.

Ellerinizi, ayaklarınızı, bol giysileri ve saçlarınızı dönen fırçalardan uzak tutun.

Yalnızca HOOVER tarafından önerilen veya sağlanan ek birimleri, sarf malzemelerini ya da yedek parçaları kullanın.

**Statik elektrik:** Bazı halılar statik elektrik oluşuma neden olabilir. Statik elektrik deşarjı sağlığa zararlı değildir.

Aygıtınızı dış mekanlarda veya ıslak yüzeylerde ya da ıslak toplama için kullanmayın.

Sert veya keskin nesnelere, kibritleri, sıcak külleri, sigara izmaritleri veya diğer benzeri öğeleri toplamayın.

Yanıcı sıvıları, temizleme sıvılarını, aerosolleri veya buharlarını püskürtmeyin ya da toplamayın.

Aygıtı kullanırken güç kablosu üzerine basmayın veya güç kablosundan çekerek prizden çıkarmayın.

Arızalı görünüyorsa aygıtınızı kullanmaya devam etmeyin.

**HOOVER servisi:** Cihazın her zaman güvenli ve verimli bir şekilde kullanılabilmesi için, her türlü bakım veya onarım işinin sadece yetkili HOOVER servis teknisyenleri tarafından yapılmasını öneririz.

Aygıtınızı kullanırken kablonun üzerinde durmayın veya kabloyu kol ya da bacaklara sarmayın.

Aygıtı hayvanları veya insanları temizlemek için kullanmayın.

Merdivenleri temizlerken aygıtı sizden daha yükseğe yerleştirmeyin.

### Çevre

Bu aygıttaki sembol aygıtı ev atığı gibi işlem yapılamayacağını belirtir. Bunun yerine uygun elektrikli ve elektronik ekipman geri dönüşüm toplama noktasına teslim edilmelidir. İmha, atık imhası için düzenlenen yerel çevre yönetmeliklerine uygun olarak yapılmalıdır. Bu aygıtta ait işlem, kurtarma ve geri dönüşümle ilgili daha ayrıntılı bilgi için, lütfen yerel şehir ofisiniz, ev atığı ve çöp atma servisiniz ya da aygıtı satın aldığınız mağaza ile irtibata geçin.



Bu aygıt 2006/95/EC, 2004/108/EC ve 2011/65/EU Avrupa Direktiflerine uygundur.

HOOVER Limited, Pentrebach, Merthyr Tydfil, Mid Glamorgan, CF48 4TU, UK

## SÜPÜRGENİZİ YAKINDAN TANIYIN

- |                                    |  |
|------------------------------------|--|
| A. Ana Gövde                       | N. Halı ve Zemin Başlığı (GP)**                  |
| B. Kordon Sarma Pedalı             | N1. Halı Başlığı (CA)**                          |
| C. Taşıma Kolu                     | N2. Sert Taban Ağzı (HF)**                       |
| D. Çıkış Filtresi Kapağı           | O. Yüzey seçme Pedalı**                          |
| E. Açma/Kapama Pedalı              | P. Hortum  |
| F. Teleskobik Boru*                | Q. Ön motor filtresi                             |
| G. Teleskobik Boru Açma Düğmesi*   | R. Çıkış filtresi                                |
| H. Standart Boru*                  | S. 2'si 1 Arada Aparatı                          |
| I. Değişken Güç Kontrol Silindiri* | T. Evcil Hayvan Tüyü Giderici Mini Turbo Başlık* |
| J. Torba Kontrol Göstergesi        | U. Alerjen Giderici Mini Turbo Başlık*           |
| K. Torba Kapağı Açma Mandalı       | V. Büyük Turbo Başlık*                           |
| L. Emiş Kontrolü*                  | W. Parke Başlığı*                                |
| M. Sap                             |  |

## SÜPÜRGENİZİN KURULMASI

Tüm parçaları ambalajından çıkartın.

- Hortumu süpürgenin ana gövdesine takın, yerine oturduğundan ve kilitlendiğinden emin olun. Çözmek için: Hortum ucundaki iki düğmeye basın ve çekin [2].
- Sapı borunun üst ucuna bağlayın. [3].
- Borunun alt ucunu halı ve zemin başlığına bağlayın [4].

## SÜPÜRGENİZİ KULLANIRKEN

- Güç kablosunu uzatın ve güç kaynağına (prize) takın. Kabloyu kırmızı işaretli bölgeden öteye çekmeyin [5].
- Komfortlu temizlik için teleskopik boruyu\*, teleskopik boru ayarlayıcısını\* yukarı aşağı kaydırarak istenilen yüksekliğe ayarlayın [6].
- Halı & zemin başlığı. Başlığın üzerindeki pedala basarak [7] zemin türü için ideal temizleme modunu seçin.  
**Sert Zemin:** Fırçalar zemini korumak için geri çekilir  
**Halı:** Derinlemesine temizlik için zemin başlığı fırçası ile beraber kullanılır.
- Süpürgenin ana gövdesindeki Açma/Kapama pedalına basarak süpürgeyi açık/kapalı duruma getirin. [8]
- Değişken güç kontrol silindirini\* döndürerek güç düzeyini ayarlayın. [9]
- Emiş gücünü, emiş kontrol düğmesi ile istenen düzeye ayarlayın. [10].
- Kullandıktan sonra, Açma/Kapama pedalına basarak süpürgeyi kapatın. Süpürgenin fişini çekin ve güç kordonunu süpürgenin içine sarmak için [11] kordon sarma pedalına basın.
- Yerleştirme ve Saklama - Boru, kullanım sırasında geçici olarak saklanabilir veya kullanılmadığında saklama konumunda tutulabilir [12].

\*Sadece bazı modeller için

\*\*Yalnızca belirli modeller, başlıklar modele göre değişiklik gösterebilir

## SÜPÜRGENİZİN BAKIMI

### Toz Torbasının Değiştirilmesi

Torba kontrol göstergesi kırmızıysa, lütfen kontrol edin ve gerekirse torbayı değiştirin.

- Torba kapağı açma mandalını kaldırarak [13] kapağı açın, torba tutucuyu çekin [14] ve torba halkasını çekerek torbayı çıkarın [15].
- Torba ağzındaki soy-çıkart etiketini torba ağzını kapatacak şekilde yapıştırın. Dolu toz torbası doğru ve dikkatli bir şekilde atılmalıdır.
- Yeni bir torbayı üzerinde gösterilen şekilde katlayın ve halkayı torba tutucuya takarak süpürgeye yerleştirin.
- Torba tutucuyu yeniden sabitleyerek torba kapağını kapatın.

Uyarı - Toz torbası ve/veya torba tutucu süpürgeye takılmamışsa torba kapağı KAPANMAZ. Torba kapağını kapatırken torba ve torba tutucunun yerinde olmasına her zaman dikkat edin.

Unutmayın: Torba kontrol göstergesi, bir engel oluştuğunda da kırmızı olabilir. Bu durumda 'Sistemdeki Tıkanıklığın Giderilmesi' bölümüne bakın.

### Filtrelerin Temizlenmesi

Süpürgenizi en iyi performansta tutmak için, lütfen filtreleri her 5 torba değişiminde bir yıkayın.

#### Ön motor filtresinin temizlenmesi:

- Torba kapağı açma mandalını [13] kaldırarak kapağı açın ve torba tutucuyu çıkarın.
- Ön motor filtresini çıkarmak için, ön motor filtresi çerçevesini süpürgeye kaydırın. [16]
- Filtreyi tutucudan çıkarın. [17]
- Ilık suyla elde yıkayın [20] ve süpürgeye tekrar takmadan önce iyice kurummasını bekleyin [21].

#### Çıkış filtresinin temizlenmesi:

- Çıkış filtresini çıkarın, çıkış filtresi kapağının klipsini açın [18] ve filtre paketini çıkarın. [19]
- Ilık suyla elde yıkayın [20] ve süpürgeye tekrar takmadan önce iyice kurummasını bekleyin. [21].

Unutmayın: Sıcak su veya deterjan kullanmayın. Düşük bir olasılık olsa da, filtrelerin hasar görmesi halinde orjinal Hoover yedek filtre takın. Ürünü, toz torbası veya filtre takılmadan kullanmaya çalışmayın.

#### Kalıcı bez toz torbasının temizlenmesi\*

En iyi performansı korumak için, kalıcı bez toz torbasını her 5 torba değişiminden sonra ılık suyla elde yıkamanızı öneririz. Fazla suyu sıkın ve tekrar takmadan önce tamamen kurumaya bırakın.

#### Sistemdeki Tıkanıklığın Giderilmesi

Torba kontrol göstergesi yanıyor veya yanıp sönüyorsa:

- Toz haznesinin doluluğunu kontrol edin. Bu durumda 'Toz Torbasının Değiştirilmesi' bölümüne başvurun.
- Dolu değilse;
  - Filtrelerin temizlenmeye mi ihtiyacı var? Bu durumda 'Filtrelerin Temizlenmesi' bölümüne başvurun.
  - Sistemde başka herhangi bir tıkanıklık olup olmadığını kontrol edin. - Borudaki veya esnek hortumdaki bir tıkanıklığı gidermek için bir çubuk veya değnek kullanın.



**Uyarı** - Süpürge, torba doluyken kullanıldığında, bir tıkanıklık olduğunda veya filtreler kirlendiğinde, torba kontrol göstergesi kırmızı yanar. Süpürge, torba kontrol göstergesi kırmızı yandığı halde uzun bir süre kullanılırsa, termal kesinti süpürgeyi aşırı ısınmayı engellemek için kapalı duruma getirir. Süpürge kapalı duruma getirildiğinde, torba kontrol göstergesi termal kesintinin etkinleştiği sinyali vermek için yeşil yanmaya başlar. Böyle bir durum olduğunda, süpürgeyi kapatın, fişini çekin ve hatayı düzeltin. Otomatik sıfırlama işlemi yaklaşık 30 dakika sürebilir.

## AKSESUARLAR VE BAŞLIKLAR

En iyi performans ve enerji verimliliği için #1 ana temizleme işlemlerinde doğru başlıkların kullanılması önerilir.

Bu başlıklar, çizimlerde **GP**, **HF** veya **CA** harfleri ile gösterilmiştir.

**GP** tip başlıklar halı ve sert zemin temizliğinde kullanılabilir.

**HF** tip başlıklar yalnızca sert zemin üzerinde kullanıma uygundur.

**CA** tip başlıklar halı üzerinde kullanım için uygundur.

Diğer başlıklar uzman temizlik işlemleri içindir ve bu başlıkların yalnızca arada sırada kullanılması önerilir.

Bu vakumlu temizleyicide Avrupa Yönetmeliği (AB) 665/2013'ün gerekli koştuğu Enerji Etiketleri bulunmaktadır.

Etikette sol kısımda halıyı kapsayan, kırmızı ve yuvarlak bir yasaklama işareti varsa, bu, vakumlu temizleyicinin halı üzerinde kullanıma uygun olmadığını gösterir.

Etikette sol kısımda sert zemini kapsayan, kırmızı ve yuvarlak bir yasaklama işareti varsa, bu vakumlu temizleyicinin sert zeminler üzerinde kullanıma uygun olmadığını gösterir.

#1 **NOT:** Halıda toz çekebilme, sert zeminde toz çekebilme ve Komisyon Düzenlemeleri (AB) 655/2013 ile (AB) 666/2013 ile uyumlu enerji verimliliği.

Tüm aksesuarlar, tutma sapı sonuna veya boru sonuna yerleştirilmiştir. [23]

**2'si 1 arada aparat** – İki işlevi bir arada sunar; 2'si 1 arada aparatı, bir destek parçası olarak bağlanabilir. Uç döndürüldüğünde, parça bir toz alma fırçasına dönüşür. 2'si 1 arada aparat, süpürge arkasında düzgün bir şekilde saklanabilir. [22]

**Destek Parçası** – Köşeler ve ulaşılması zor alanlar içindir.

**Toz Alma Fırçası** – Kitaplık rafları, çerçeveler, klavyeler ve diğer hassas alanlar için Fırçaları uzatmak için aygıt gövdesindeki düğmeyi çekin.

**Evcil Hayvan Tüyü Giderici Mini Turbo Başlık\*** – Merdivenler, temizlenmesi zor alanlar ve dokuma kumaş yüzeylerde derinlemesine temizlik için mini turbo başlığı kullanılabilir [1T].

**Alerjen Giderici Mini Turbo Başlık\*** – Merdivenler, temizlenmesi zor alanlar ve dokuma kumaş yüzeylerde derinlemesine temizlik için mini turbo başlığı kullanılabilir. [1U]

**Büyük Turbo Başlık\*** – Turbo başlık, halılarda derinlemesine temizlik için kullanılabilir. [1V]

**Parke Başlığı\*** – Ahşap zeminler ve diğer hassas zeminler için. [1W]

\*Sadece bazı modeller için

\*\* Yalnızca belirli modeller, başlıklar modele göre değişiklik gösterebilir

**ÖNEMLİ:** Büyük turbo veya mini turbo başlıkları, uzun saçaklı kilimler, hayvan postları ve 15 mm'den daha uzun tüylü halılarda kullanmayın. Fırça dönerken başlığı sabit tutmayın.

## KULLANICI KONTROL LİSTESİ

Ürün ile ilgili bir problem olduğunda, yetkili Hoover servisini aramadan önce bu basit kullanıcı listesini tamamlayın.

- Süpürgeye elektrik geliyor mu? Lütfen başka bir elektrikli cihaz ile kontrol edin.
- Toz torbası aşırı mı dolmuş? Lütfen 'Süpürge Bakımı' bölümüne başvurun
- Filtre tıkalı mı? Eğer ihtiyaç varsa 'Yıkanabilir filtreleri temizleme' bölümüne başvurun.
- Hortum veya başlık tıkalı mı? Lütfen 'Sistemdeki tıkanıklığın giderilmesi' bölümüne başvurunuz.
- Süpürge fazla mı ısındı? Eğer öyleyse, otomatik sıfırlama 30 dakika sürecektir

## ÖNEMLİ BİLGİ

### Hoover yedek parça ve sarf malzemeleri

Parçaları daima orjinal Hoover parçaları ile değiştirin. Bu parçaları Hoover bayiinden veya doğrudan Hoover firmasından tedarik edebilirsiniz. Parça siparişi verirken mutlaka cihazın model numarasını belirtin.

Microfiber Bag	H63	35600536
Pre-Motor Filter & Exhaust Filter Kit	U63	35601193
Complete Flexible Hose	D128	35601194
Carpet & Floor Extra Nozzle	G221EE	35601635
Carpet & Floor Smart Nozzle	G200SE	35601593
Hard Floor Smart Nozzle	G222SE	35601636
Easy Parquet Nozzle	G131PC	35601196
Mini Turbo Nozzle	J46	35601116

### Hoover Servisi

Herhangi bir hizmete ihtiyacınız olduğunda, lütfen bölgenizdeki Hoover Müşteri Hizmetleri ile irtibata geçiniz.

### Kalite

BSI ISO 9001

Hoover fabrikalarının kalitesi bağımsız olarak takdir almıştır. Ürünlerimiz, ISO 9001 gereksinimlerini içeren bir kalite sistemi kullanılarak üretilmektedir.

### Garanti

Bu cihaz için garanti koşulları, cihazın satıldığı ülkedeki temsilcimiz tarafından tanımlanmaktadır. Bu koşullara ilişkin ayrıntılar cihazın satın alındığı bayiden edinilebilmektedir. Bu garanti koşulları altında yapılan talepte satış fişi (faturası) ve makbuzu ibraz edilmiş olmalıdır.

Haber verilmeksizin değişiklikler yapılabilmektedir.