

1 Drawer Bedside

Assembly Instructions - Please keep for future reference

274/6661

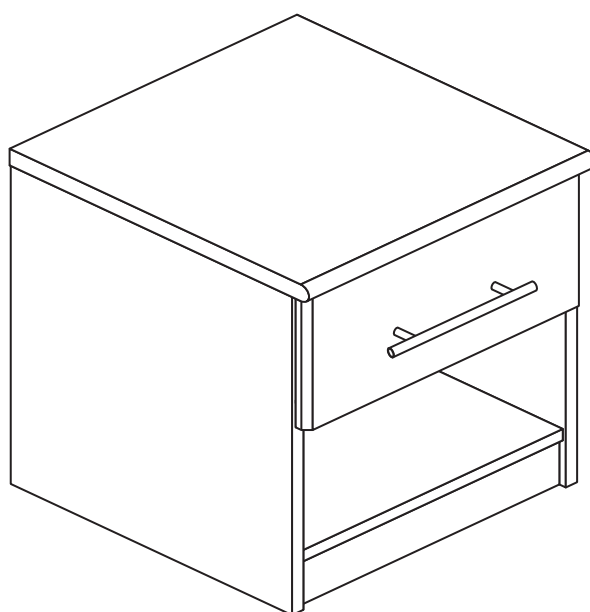
258/1187

228/9300

358/9896

331/5929

346/8302



Dimensions

Width - 38cm

Depth - 40cm

Height - 44.5cm



**MADE IN
BRITAIN**

Important - Please read these instructions fully before starting assembly

If you need help or have damaged or missing parts, call the **Customer Helpline: 08456 400800**



Safety and Care Advice

Important - Please read these instructions fully before starting assembly

- **Warning:** This unit weighs approximately 10kgs. Please lift with care.

- Check you have all the components and tools listed on pages 2 and 3.

- Remove all fittings from the plastic bags and separate them into their groups.

- Keep children and animals away from the work area, small parts could choke if swallowed.

- Parts of the assembly will be easier with 2 people.

- Make sure you have enough space to layout the parts before starting.

- Do not stand or put weight on the product, this could cause damage.

- Assemble the item as close to its final position (in the same room) as possible.

- Assemble on a soft level surface to avoid damaging the unit or your floor (use opened out unit carton).



- We do not recommend the use of power drill/drivers **for inserting screws**, as this could damage the unit. Only use hand screwdrivers.

- **Safety note:** If there is any chance of this unit being pulled over by children etc. it is recommended that the unit is secured to a wall using suitable fixings (not supplied).

- Dispose of all packaging carefully and responsibly.

Care and maintenance

- Only clean using a damp cloth and mild detergent, do not use bleach or abrasive cleaners.

- From time to time check that there are no loose screws on this unit.

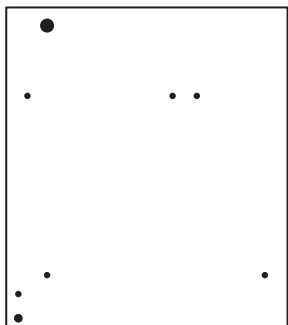
- This product should not be discarded with household waste. Take to your local authority waste disposal centre.

Note: If required the next page can be cut out and used as reference throughout the assembly. Keep this page with these instructions for future reference.

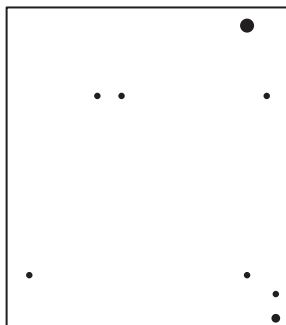
Components - Panels

If you have damaged or missing components, call the
Customer Helpline: 08456 400800 quoting the reference
numbers below

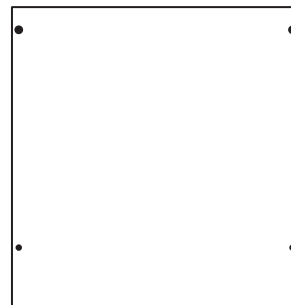
Please check you have all the panels listed below



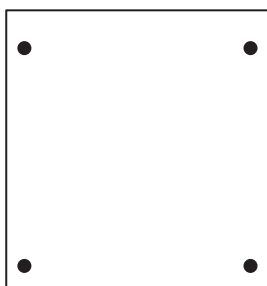
1 Left Side (D2350A)
(422 x 372mm)



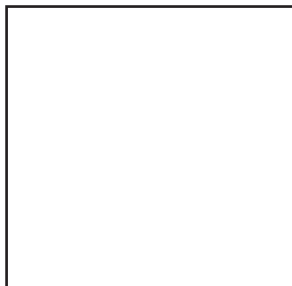
2 Right Side (D2351A)
(422 x 372mm)



3 Top (D2349A)
(380 x 396mm)



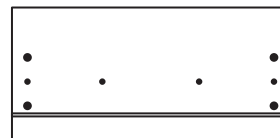
4 Base (D2352A)
(347 x 368mm)



5 Back (X380-373)
(380 x 373mm)



6 Plinth (D2354A)
(347 x 60mm)



7 Drawer Front (D2353A)
(367 x 176mm)



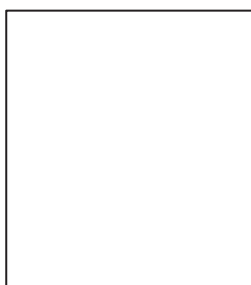
8 Left Drawer Side (W370-124LH)
(370 x 124mm)



9 Right Drawer Side (W370-124RH)
(370 x 124mm)



10 Drawer Back (W314-124)
(314 x 124mm)



11 Drawer Base (T325-367)
(325 x 367mm)

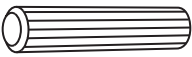
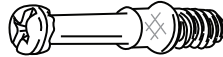

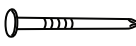



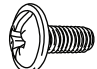
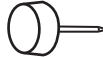


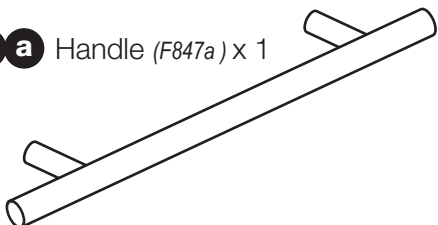



Components - Fittings

If you have damaged or missing components, call the **Customer Helpline: 08456 400800** quoting the reference numbers below

Please check you have all the fittings listed below

Note: The quantities below are the correct amount to complete the assembly. In some cases more fittings may be supplied than are required.

<p>A </p> <p>Wooden dowel (F22) x 4</p>	<p>B </p> <p>Metal dowel (F901) x 10</p>	<p>C </p> <p>9mm Screw (F73) x 4</p>
<p>D </p> <p>Nail (F51) x 10</p>	<p>E </p> <p>Large locking nut (F900) x 8</p>	<p>F </p> <p>Small locking nut (F3) x 2</p>
<p>G </p> <p>Knock-in Peg (F171) x 4</p>	<p>H </p> <p>9mm Screw (F74) x 2</p>	<p>I </p> <p>Plastic Nail (F91) x 4</p>
<p>J </p> <p>Drawer runner (F1004) x 2</p>		<p>L </p> <p>Wedgefix (F639) x 2</p>
<p>K a  Handle (F847a) x 1</p> <p>K b  Handle Screw (F847b) x 2</p>		

Tools required



Rule



Cross-head screwdriver



Scissors

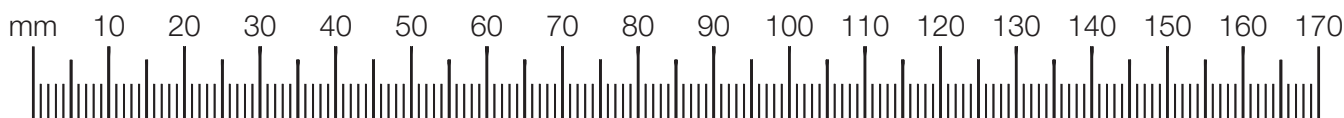


Hammer



Eye protection (when using a hammer or drill)

Ruler - Use this ruler to help correctly identify the screws



Assembly Instructions

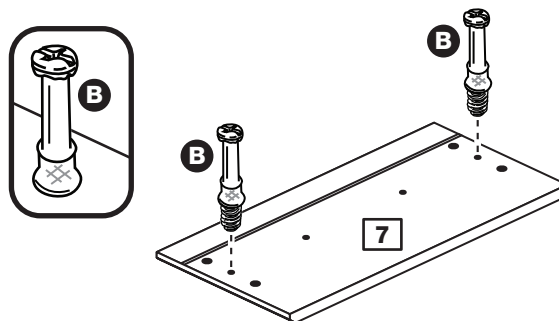
If you have damaged or missing components, call the **Customer Helpline: 08456 400800** quoting the reference numbers below

Step 1

Prepare the drawer front

Screw 2 metal dowels **B** into the holes shown on the back of the drawer front **7**.

Note: Tighten metal dowels up fully against the panels.



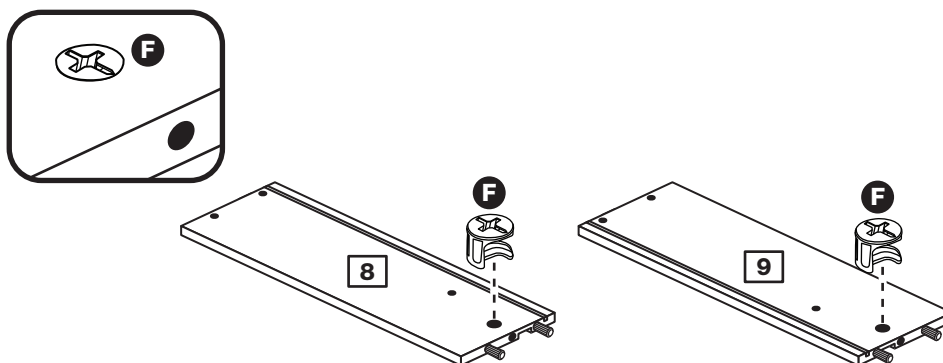
Step 2

Prepare the drawer sides

Insert a small locking nut **F** into the hole shown on the left drawer side **8** and right drawer side **9**.

Note: The arrow on the locking nut **must** point towards the hole in the edge of the panel.

Note: Due to the manufacturing process, the holes for the locking nut can be on either surface of the drawer sides.



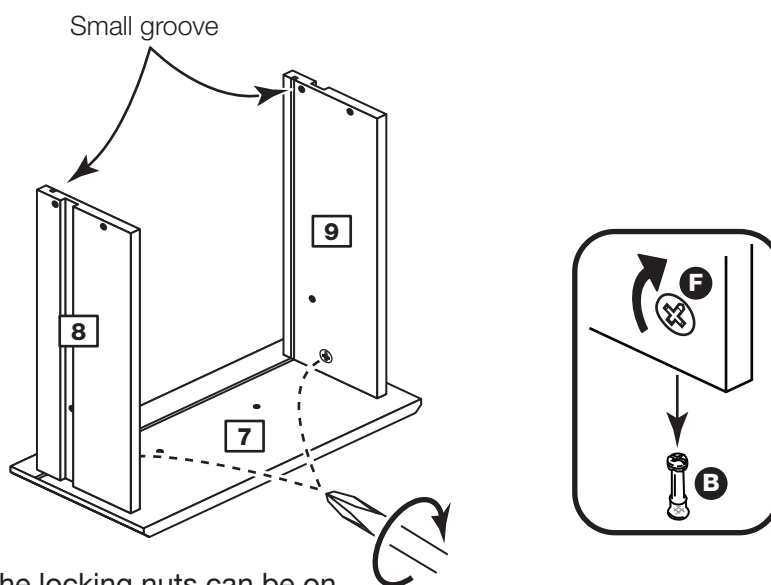
Step 3

Attach the drawer sides to the drawer front

Push the left drawer side **8** and right drawer side **9** onto the back of the drawer front **7**.

Use a screwdriver to tighten the 2 small locking nuts **F** fitted to the left drawer side **8** and right drawer side **9**.

Note: Turn the small locking nuts **F** as far as they will go - more than 1/2 a turn.



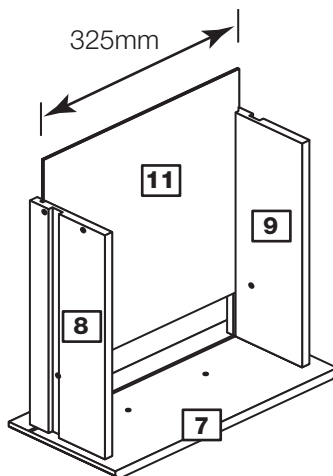
Note: The locking nuts can be on either surface of the drawer sides. Make sure that the small groove is on the inside, as shown.

Assembly Instructions

Step 4

Fit the drawer base

Slide the drawer base **11** down the grooves in the drawer sides **8** and **9** and down into the groove in the drawer front **7**.



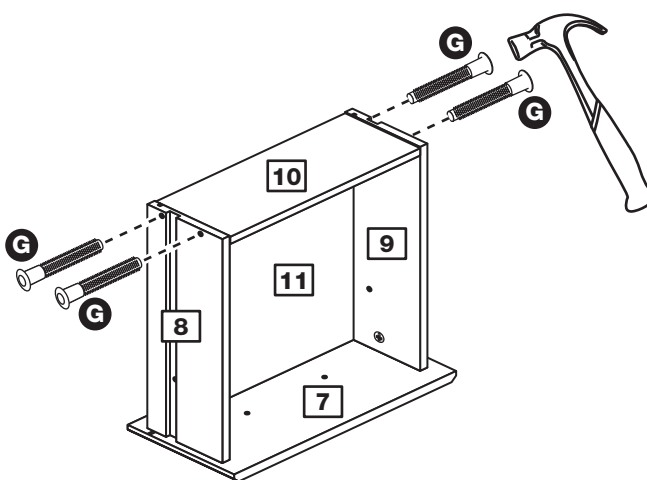
Step 5

Fit the drawer back

Fit the drawer back **10** between the drawer sides **8** and **9**.

Make sure that the drawer base **11** fits into the groove in the drawer back **10**.

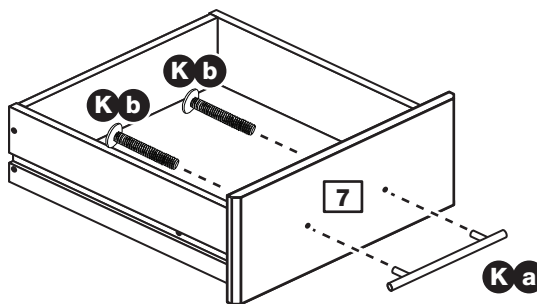
Hold the drawer back **10** in position and tap the knock-in pegs **G** through the holes in the drawer sides **8** and **9**.



Step 6

Attach the handle

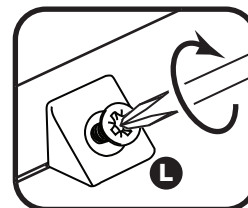
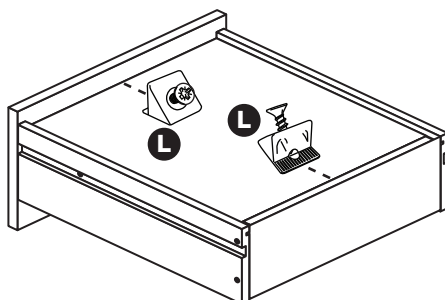
Attach a handle **K a** to the drawer front **7** using 2 screws **K b**.



Step 7

Fit the wedgfixes

Turn the drawer assemblies over and slide 2 wedgfixes **L** into the front and back grooves, as shown, and tighten up the screws.

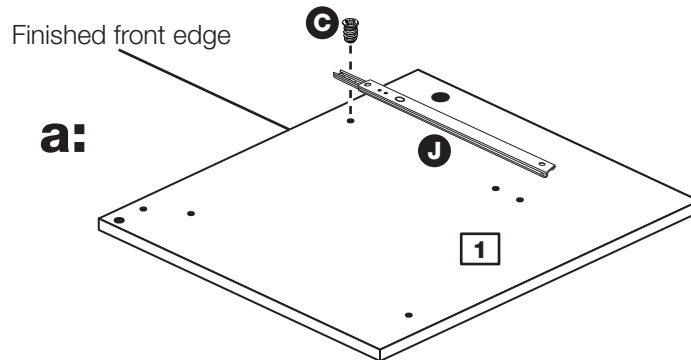
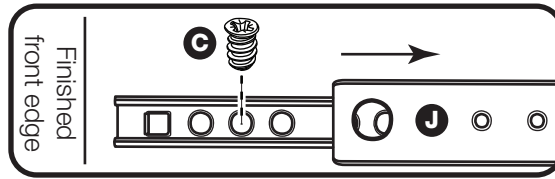


Assembly Instructions

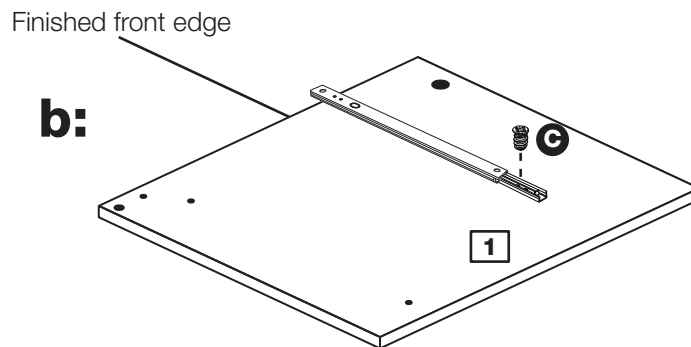
Step 8

Prepare the left side

a: Place a runner **J** on the left side **1** as shown. Slide back the top of runner and use the 2nd hole from the front to fit the 1st screw **C**.



b: Slide the runner back the other way and fit the 2nd screw **C** into the corresponding hole in the left side **1**.



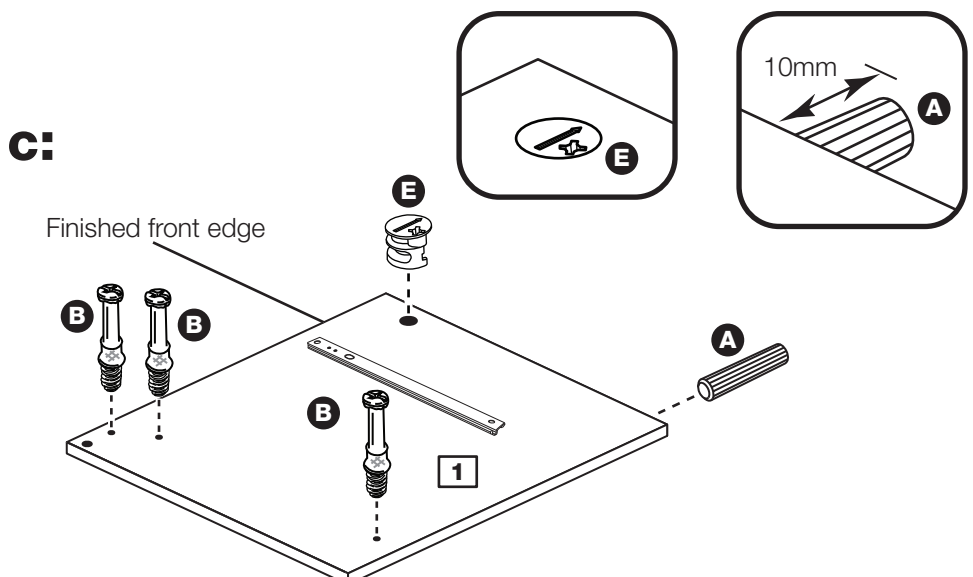
c: Insert 1 large locking nut **E** into the left side **1** as shown.

Note: The arrow on the locking nut **must** point towards the hole in the edge of the panel.

Tap a wooden dowel **A** into the left side **1**.

Note: Wooden dowels **must not** stick out from the edge by more than 10mm or they may damage other panels.

Screw 3 metal dowels **B** into the left side **1**.



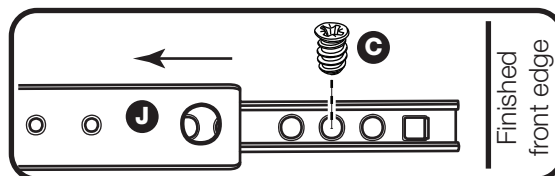
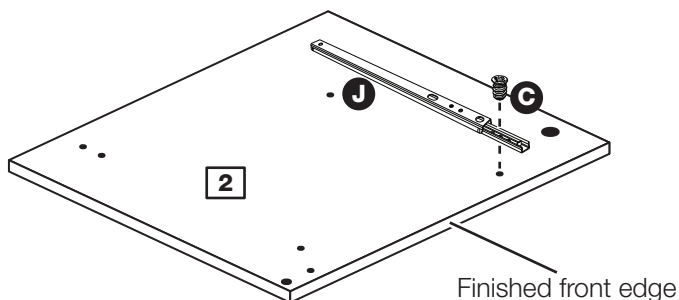
Assembly Instructions

Step 9

Prepare the right side

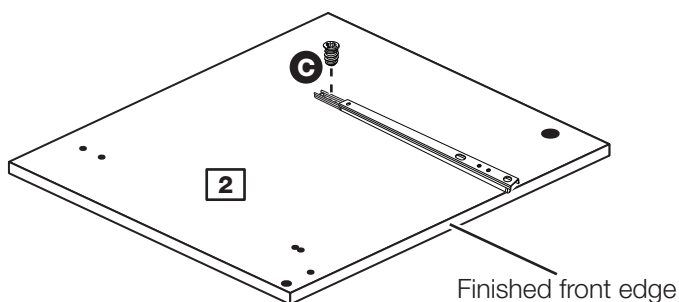
a: Place a runner **J** on the right side **2** as shown. Slide back the top of runner and use the 2nd hole from the front to fit the 1st screw **C**.

a:



b: Slide the runner back the other way and fit the 2nd screw **C** into the corresponding hole in the right side **2**.

b:

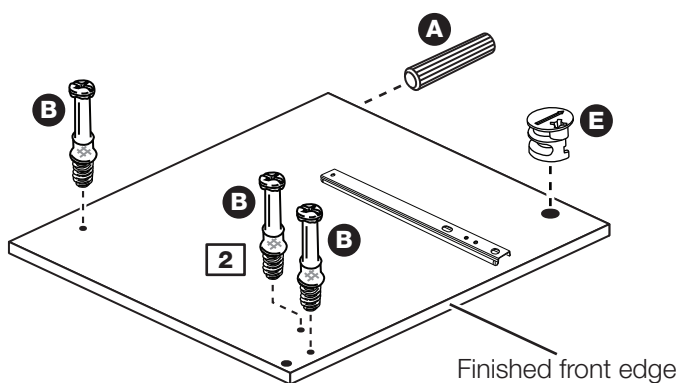


c: Insert 1 large locking nut **E** into the right side **2**.

Tap a wooden dowel **A** into the right side **2**.

Screw 3 metal dowels **B** into the right side **2**.

c:



Assembly Instructions

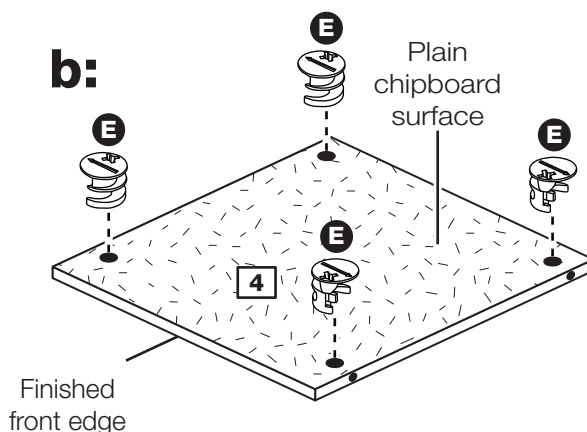
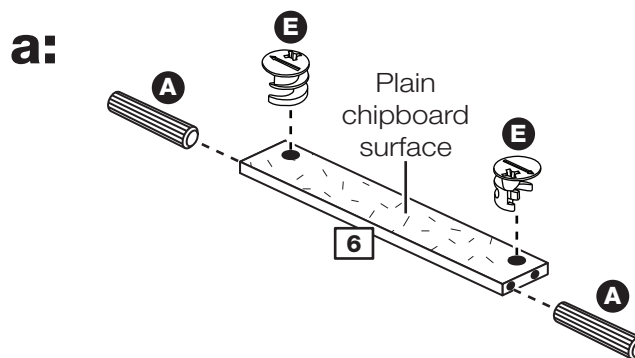
Step 10

Prepare the plinth and base

a: Insert 2 large locking nuts **E** into the holes in the plinth **6**.

Tap 2 wooden dowels **A** into the ends of the plinth **6**.

b: Insert 4 large locking nuts **E** into the base **4**.



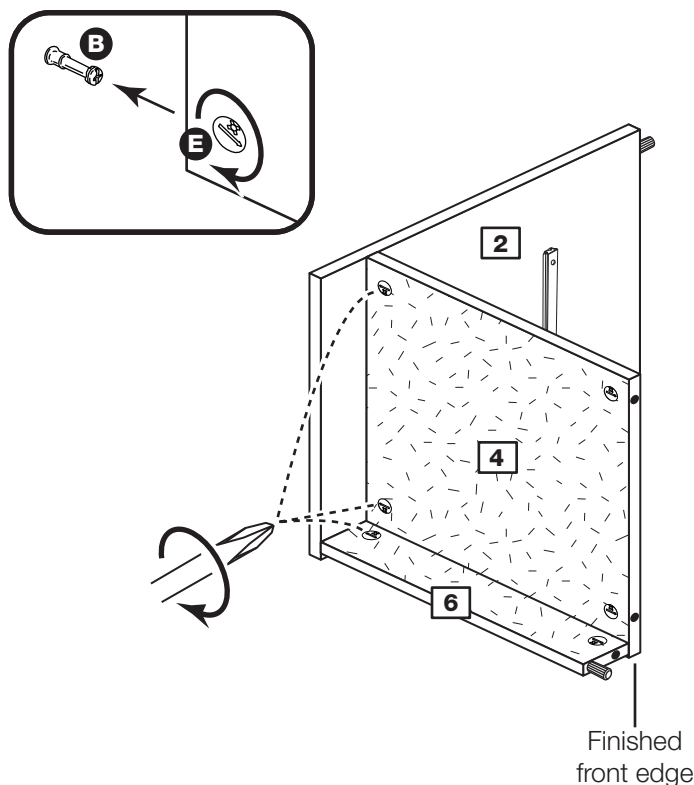
Step 11

Fit the plinth and base to the right side

Push the plinth **6** and the base **4** onto the right side **2**.

Use a screwdriver to tighten the 3 large locking nuts **E** fitted to the plinth and base.

Note: Turn each large locking nut **E** as far as it will go - more than 1/2 a turn.



Assembly Instructions

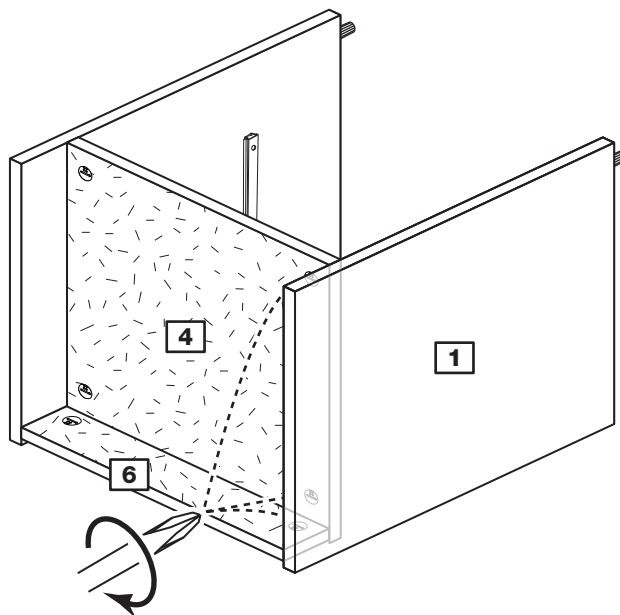
Step 12

Fit the left side

Push the left side **1** onto the assembly.

Use a screwdriver to tighten the 3 large locking nuts **E** fitted to the plinth **6** and base **4**.

Note: Turn the large locking nuts **E** as far as they will go - more than 1/2 a turn.

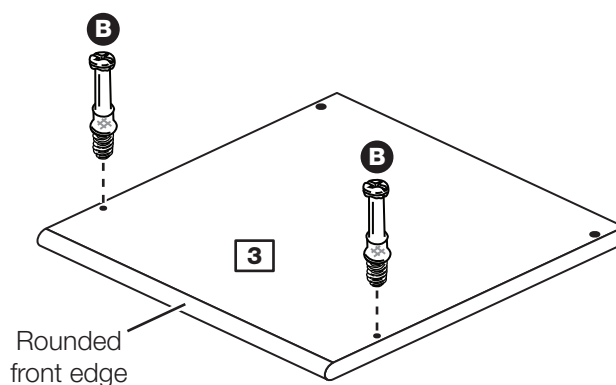


Step 13

Prepare the top

Screw 2 metal dowels **B** into the top **3**.

Note: Tighten metal dowels up fully against the panel.



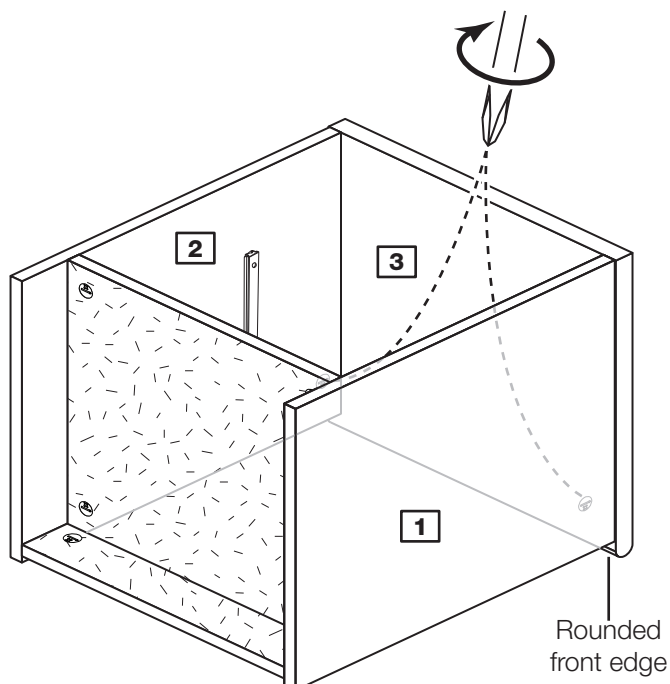
Step 14

Fit the top

Push the top **3** onto side panels **1** and **2**.

Use a screwdriver to tighten the 2 large locking nuts **E** fitted to the inside of the side panels **1** and **2**.

Note: Turn the large locking nuts **E** as far as they will go - more than 1/2 a turn.



Assembly Instructions

Step 15

Fit the back

a: Square up the unit by making sure that measurement **x to x** equals **y to y**.

b: Place the back **5** onto the unit.

Nail **D** around the outside edges of the back **5**.

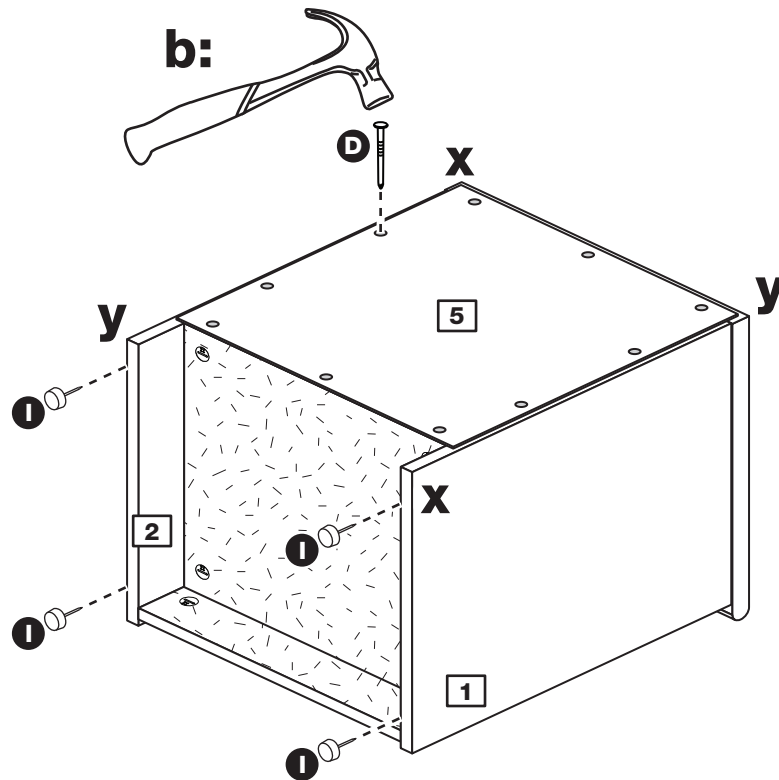
Note: Nails should be spaced about 150mm apart.

Fit the 4 plastic nails

Tap 2 plastic nails **I** into the bottom edge of each of the sides **1** and **2**.

Stand the unit up for the next step.

a: The measurement from top corner X to bottom corner X must be equal to the measurement from top corner Y to bottom corner Y



Assembly Instructions

Step 16

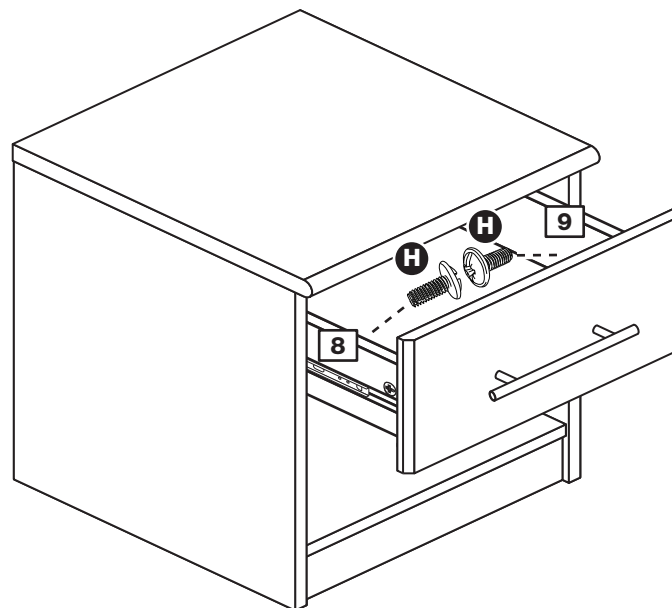
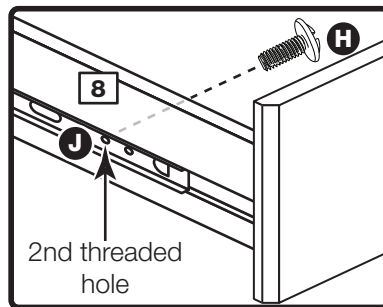
Fit the drawer

Slide both the runners **J** forward and locate the drawer sides **8** and **9** between them, lining up the holes in the drawer wrap with the 2nd 'threaded' holes in the runners **J**.

Working from the inside of the drawer, insert 2 screws **H** through the drawer sides and out into the 2nd threaded hole in the runner **J**.

Note: Do not overtighten the screws **H**. If they catch on the runner you may need to loosen them slightly.

Assembly is complete



If you need help or have damaged or missing parts, call the Customer Helpline: 08456 400800 and quote the reference numbers on the component pages.

Argos Ltd, 489-499 Avebury Boulevard, Central Milton Keynes, MK9 2NW