

Malibu - 4 Drawer 3 Door Robe

Assembly Instructions - Please keep for future reference

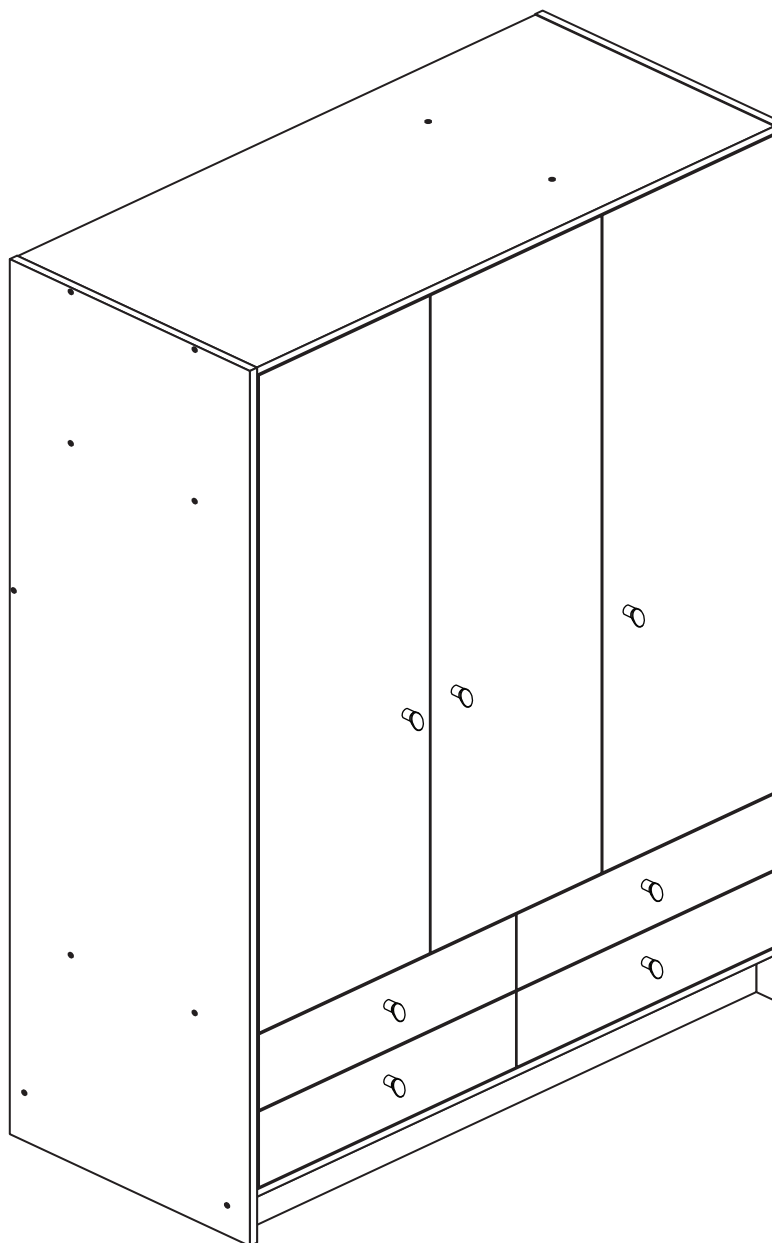
264/1003

248/3326

248/5410

274/5930

259/1689



Dimensions

Width - 110cm

Depth - 50cm

Height - 181cm



MADE IN
BRITAIN

Important - Please read these instructions fully before starting assembly

If you need help or have damaged or missing parts, call the Customer Helpline: 08456 400800



Safety and Care Advice

Important - Please read these instructions fully before starting assembly

- **Warning:** This unit weighs approximately 79kgs. Please lift with care.
- Check you have all the components and tools listed on pages 2 and 3.
- Remove all fittings from the plastic bags and separate them into their groups.
- Keep children and animals away from the work area, small parts could choke if swallowed.
- Parts of the assembly will be easier with 2 people.

- Make sure you have enough space to layout the parts before starting.
- Do not stand or put weight on the product, this could cause damage.
- Assemble the item as close to its final position (in the same room) as possible.
- Assemble on a soft level surface to avoid damaging the unit or your floor (use opened out unit carton).



• We do not recommend the use of power drill/drivers **for inserting screws**, as this could damage the unit. Only use hand screwdrivers.

• **Safety note:** It is recommended that this unit is secured to a wall using the bracket supplied.

• Dispose of all packaging carefully and responsibly.

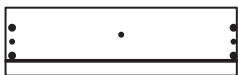
Care and maintenance

- Only clean using a damp cloth and mild detergent, do not use bleach or abrasive cleaners.
- From time to time check that there are no loose screws on this unit.
- This product should not be discarded with household waste. Take to your local authority waste disposal centre.

Components - Panels

If you have damaged or missing components, call the **Customer Helpline: 08456 400800** quoting the reference numbers below

Please check you have all the panels listed below



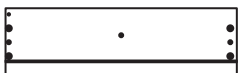
1 Left Drawer Front (D2884A)
(531 x 156mm) x 2



3 Left Drawer Side (W370-124LH)
(370 x 124mm) x 4



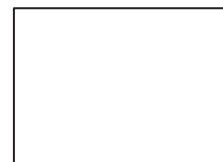
5 Drawer Back (W495-124BCK)
(495 x 124mm) x 4



2 Right Drawer Front (D2885A)
(531 x 156mm) x 2



4 Right Drawer Side (W370-124RH)
(370 x 124mm) x 4

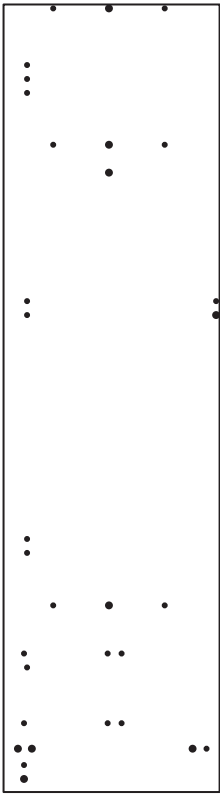


6 Drawer Base (T506-367)
(506 x 367mm) x 4

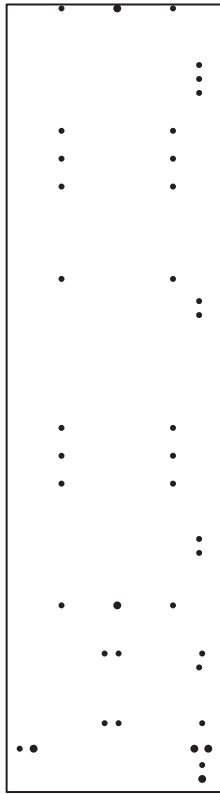
Components - Panels

If you have damaged or missing components, call the **Customer Helpline: 08456 400800** quoting the reference numbers below

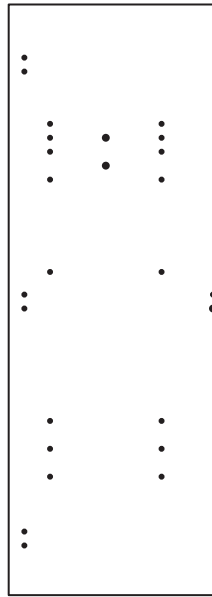
Please check you have all the panels listed below



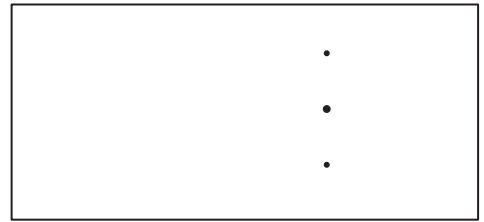
7 Left Side (D2876A)
(1808 x 496mm)



8 Right Side (D2877A)
(1808 x 496mm)



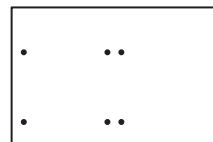
9 Upright (D2878A)
(1356 x 477mm)



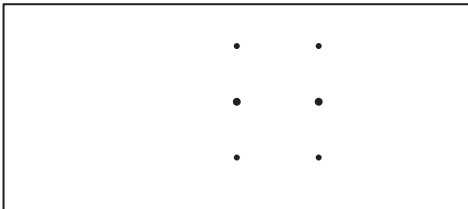
10 Top (D2837A)
(1071 x 494mm)



11 Horizontal (D2880A)
(716 x 446mm)



12 Divider (D2879A)
(314 x 477mm)



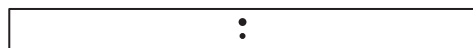
13 Base (D2881A)
(1071 x 478mm)



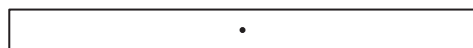
14 Loose Shelf (D2843A)
(339 x 476mm) x 3



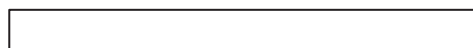
15 Back Rail (D2847A)
(716 x 92mm)



16 Base Rail (D2882A)
(1071 x 92mm)



17 Rail (D2883A)
(1071 x 92mm)



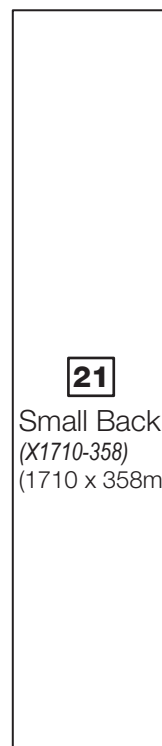
18 Plinth (D2844A)
(1071 x 92mm)



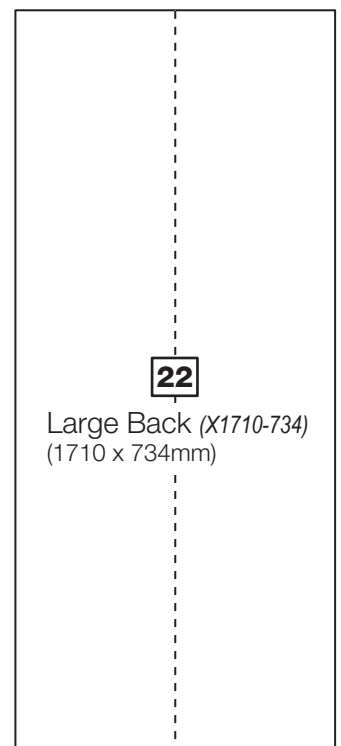
19 Hanging Rail (FHR704)
(704mm long)



20 Door (D2846A)
(1358 x 353mm)
x 3



21 Small Back (X1710-358)
(1710 x 358mm)



22 Large Back (X1710-734)
(1710 x 734mm)


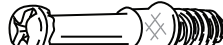

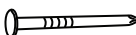






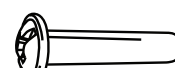
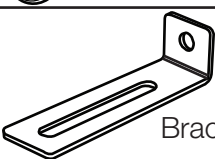


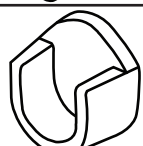
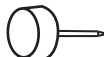
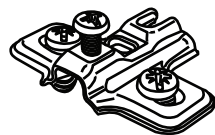
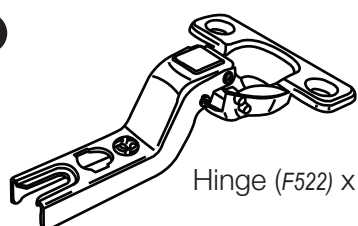








Components - Fittings

If you have damaged or missing components, call the **Customer Helpline: 08456 400800** quoting the reference numbers below

Please check you have all the fittings listed below

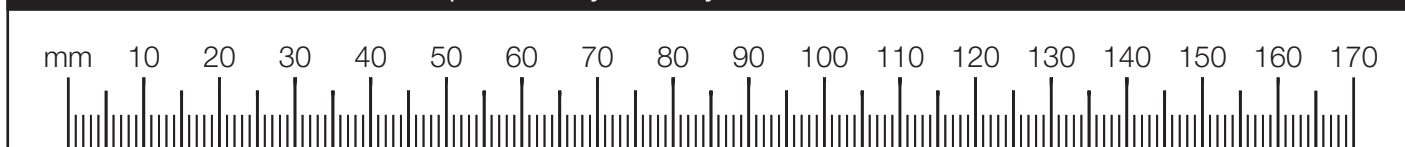
Note: The quantities below are the correct amount to complete the assembly. In some cases more fittings may be supplied than are required.

A  Wooden dowel (F22) x 20	B  Metal dowel (F901) x 8	C  40mm Screw (F910) x 26
D  Nail (F51) x 33	E  Wedgifix (F639) x 8	F  Small locking nut (F3) x 8
G  Shelf stud (F110) x 12	H  25mm Screw (F50) x 7	I  Handle (F631) x 7
J  19mm Connecting bolt (F461) x 2	K  25mm Connecting sleeve (F432) x 2	L  Bracket (F327) x 1
M  13mm Screw (F79) x 1	N  13mm Screw (F63) x 20	O  Rail holder (F1014) x 2
P  Plastic Nail (F91) x 5	Q  Hinge plate (F523) x 9	R  Hinge (F522) x 9
S  Drawer runner (F1004) x 8		
T  Knock-in Peg (F1716Y) x 16	U  Nail screw (F277) x 5	V  Back holder (F276) x 5 *These can also be round
W  9mm Screw (F74) x 8	X  9mm Screw (F73) x 16	

Tools required

Rule	Hammer	Cross-head screwdriver
Square	Bradawl	Eye protection (when using a hammer or drill)
Scissors	Electric drill	
Spirit level	Step ladder	

Ruler - Use this ruler to help correctly identify the screws



Assembly Instructions

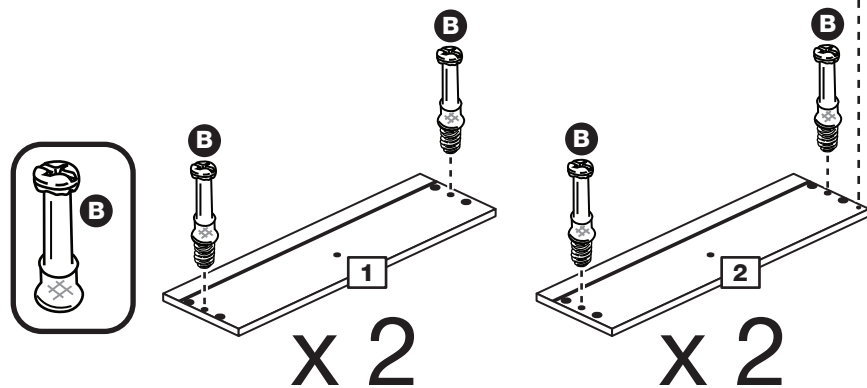
If you have damaged or missing components, call the
Customer Helpline: 08456 400800 quoting the reference
numbers below

Step 1

Prepare the 4 drawer fronts

Screw 2 metal dowels **B** into the 2 left drawer fronts **1** and the 2 right drawer fronts **2**.

Note: Tighten the metal dowels up fully against the panels.

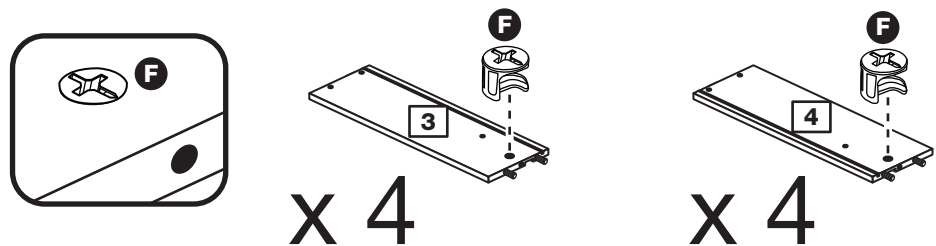


Step 2

Prepare 4 pairs of drawer sides

Insert a small locking nut **F** into the hole shown on the left drawer side **3** and the right drawer side **4**.

Note: The arrow on the locking nut **must** point towards the hole in the edge of the panel.



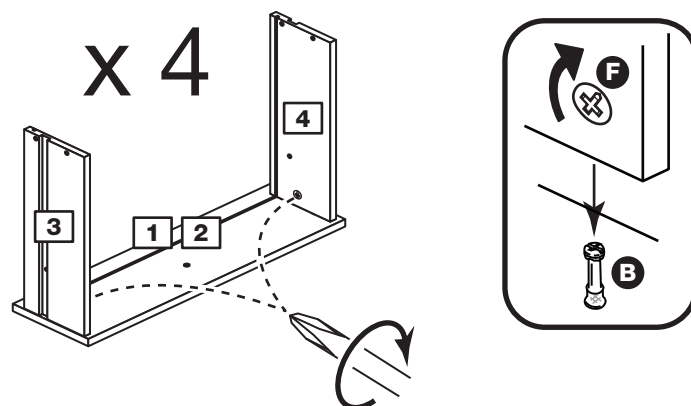
Step 3

Attach the drawer sides to the drawer fronts

Push the left drawer sides **3** and right drawer sides **4** onto the back of the 4 drawer fronts **1** and **2**.

Turn the small locking nuts **F** on the left drawer side **3** and right drawer side **4**.

Note: Turn the locking nuts **F** clockwise to secure panels - more than 1/2 a turn.

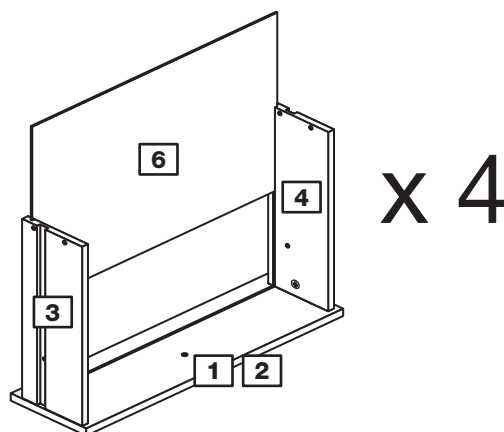


Assembly Instructions

Step 4

Fit the drawer base

Slide the drawer base **6** down the grooves in the drawer sides **3** and **4** and down into the groove in the drawer fronts **1** and **2**.

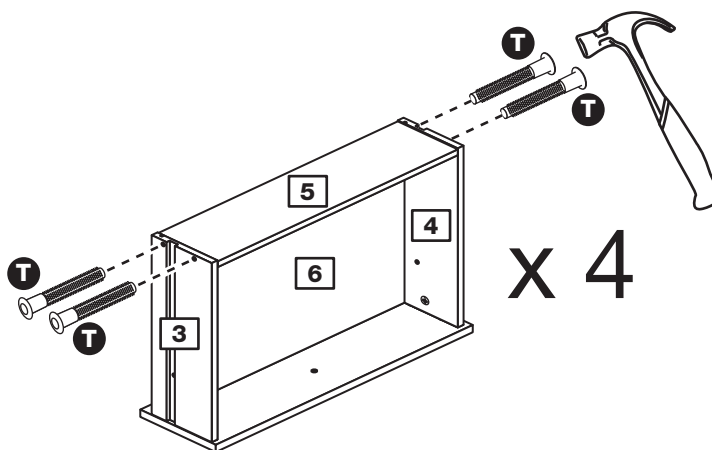


Step 5

Fit the drawer back

Fit the drawer back **5** between the drawer sides **3** and **4**. Make sure that the drawer base **6** fits into the groove in the drawer back **5**.

Hold the drawer back **5** in position and tap the knock-in pegs **T** through the holes in the drawer sides **3** and **4**.

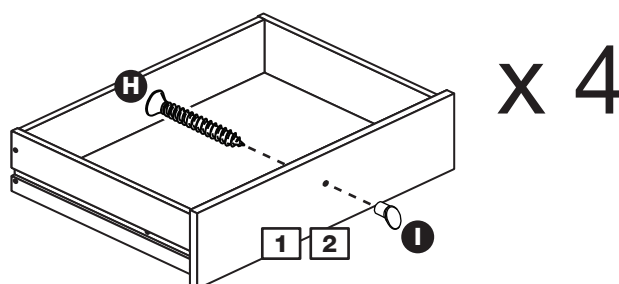


Step 6

Attach the handles

Attach a handle **I** to each of the drawer fronts **1** and **2** using screw **H**.

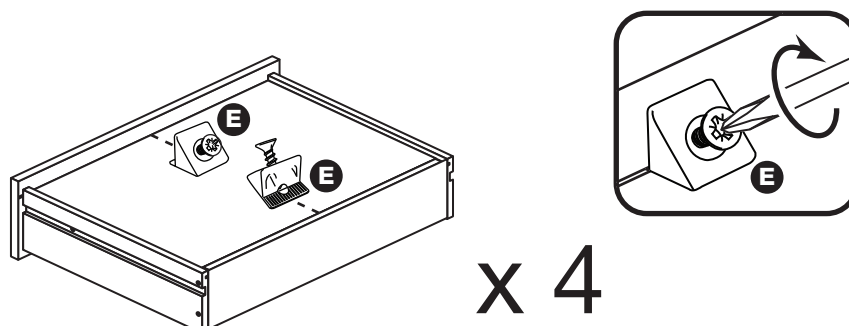
Note: Do not overtighten the screw.



Step 7

Fit the wedgifixes

Turn the drawer assemblies over and slide 2 wedgifixes **E** into the front and back grooves, as shown, and tighten up the screws.



Assembly Instructions

Step 8

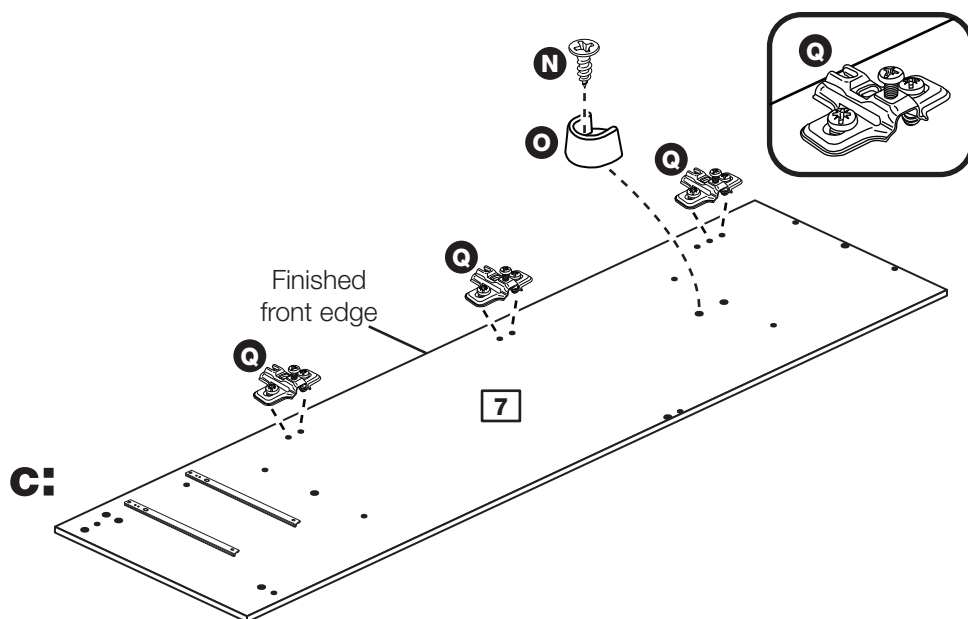
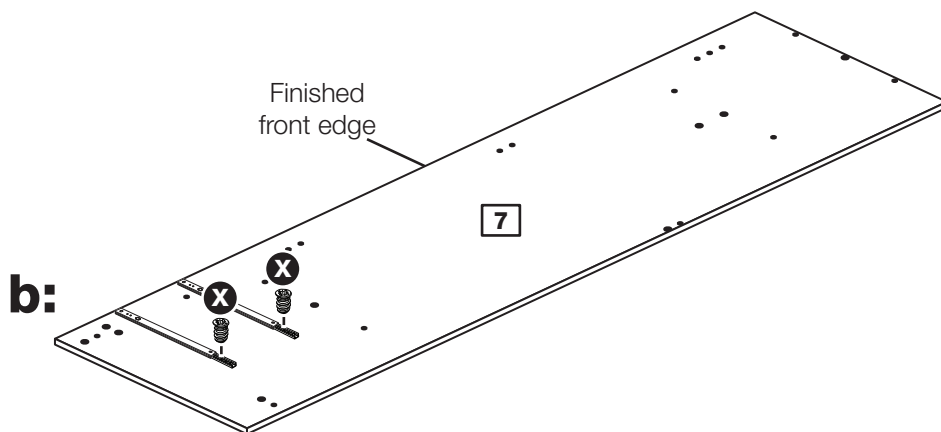
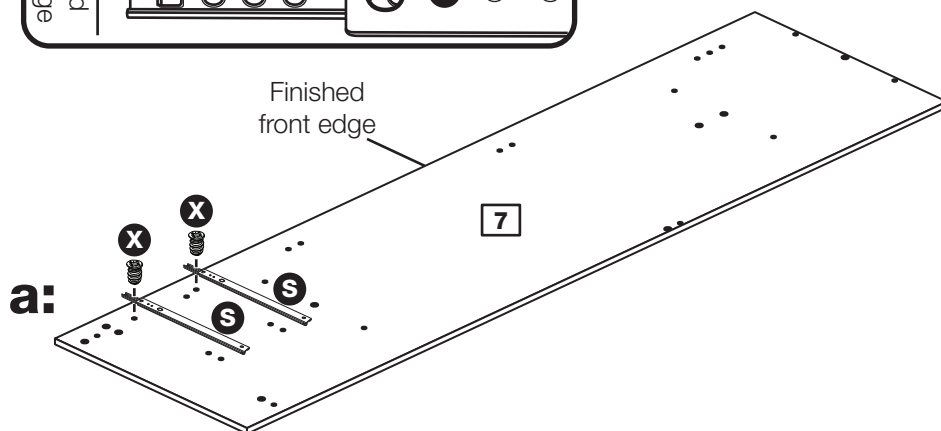
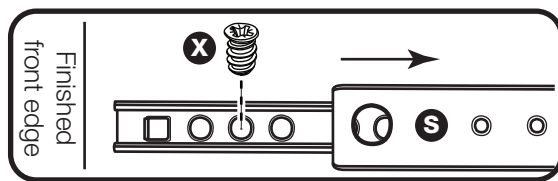
Prepare the left side

a: Place 2 runners **S** on the left side **7** as shown. Slide back the top of runner and use the 2nd hole from the front to fit the 1st screw **X**.

b: Slide the runner **S** back the other way and fit the 2nd screw **X** into the corresponding hole in the left side **7**.

c: Fit 3 hinge plates **Q** onto the left side **7** making sure that the slot is facing towards the finished front edge.

Push a rail holder **O** into the left side **7**. Make sure that it is fitted straight, in line with the panel edges and then secure with screw **N**.



Assembly Instructions

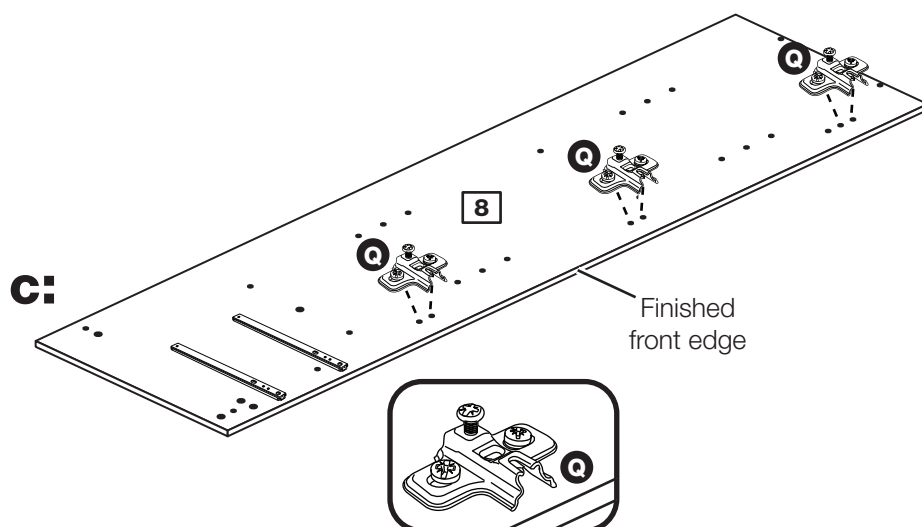
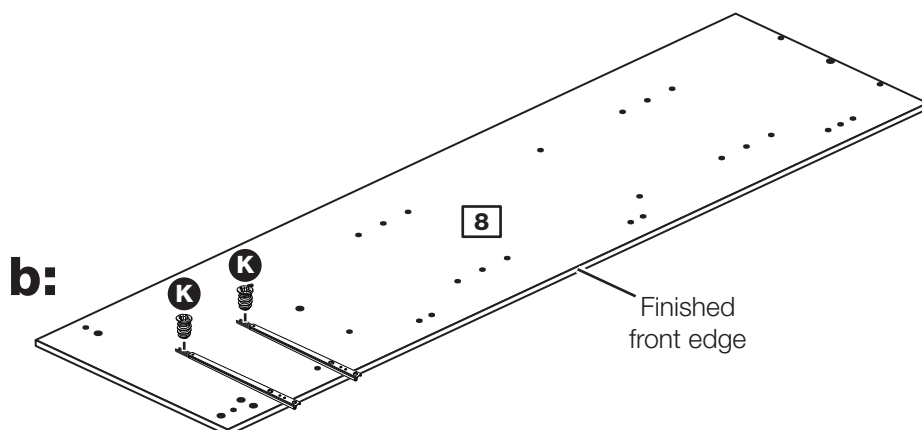
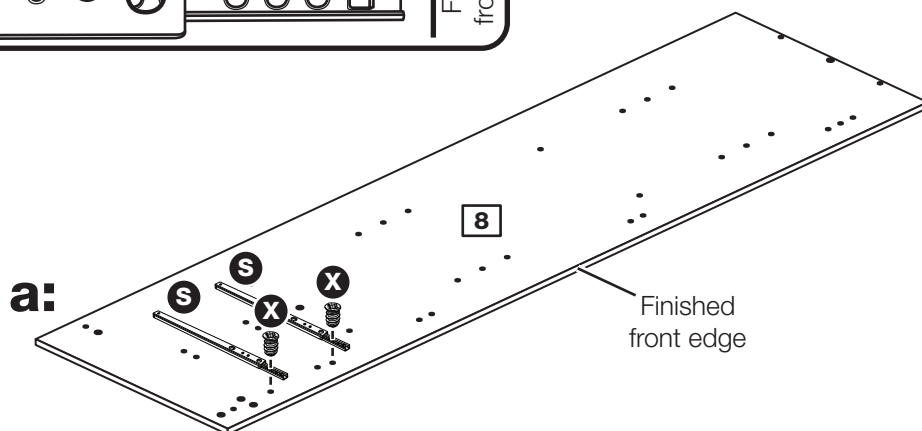
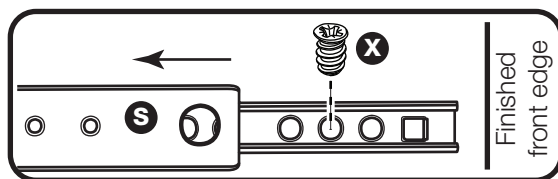
Step 9

Prepare the right side

a: Place 2 runners **S** on the right side **8** as shown. Slide back the top of runner and use the 2nd hole from the front to fit the 1st screw **X**.

b: Slide the runner **S** back the other way and fit the 2nd screw **X** into the corresponding hole in the right side **8**.

c: Fit 3 hinge plates **Q** onto the right side **8** making sure that the slot is facing towards the finished front edge.



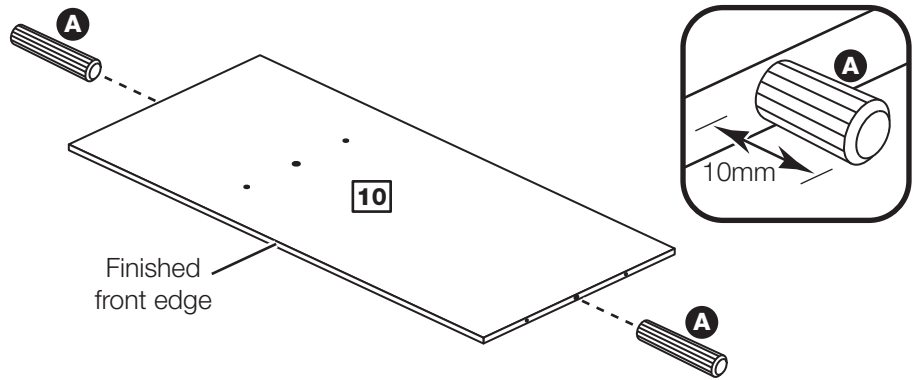
Assembly Instructions

Step 10

Prepare the top

Tap 2 wooden dowels **A** into the top **10**.

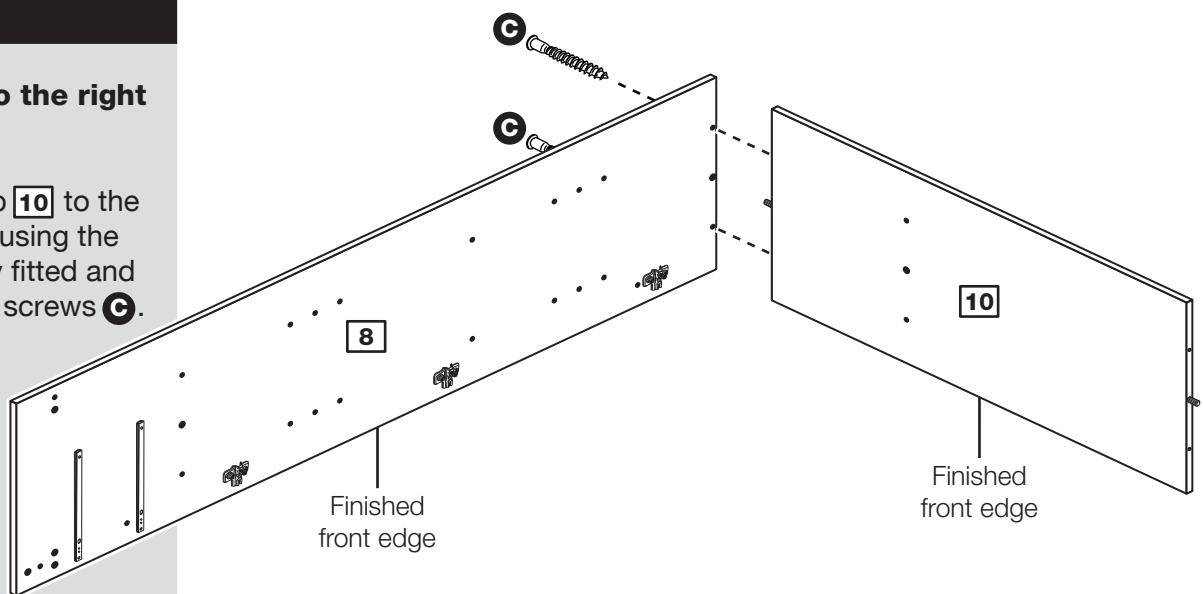
Note: Wooden dowels **must not** stick out from the edge by more than 10mm or they may damage other panels.



Step 11

Fit the top to the right side

Attach the top **10** to the right side **8** using the dowel already fitted and secure with 2 screws **C**.



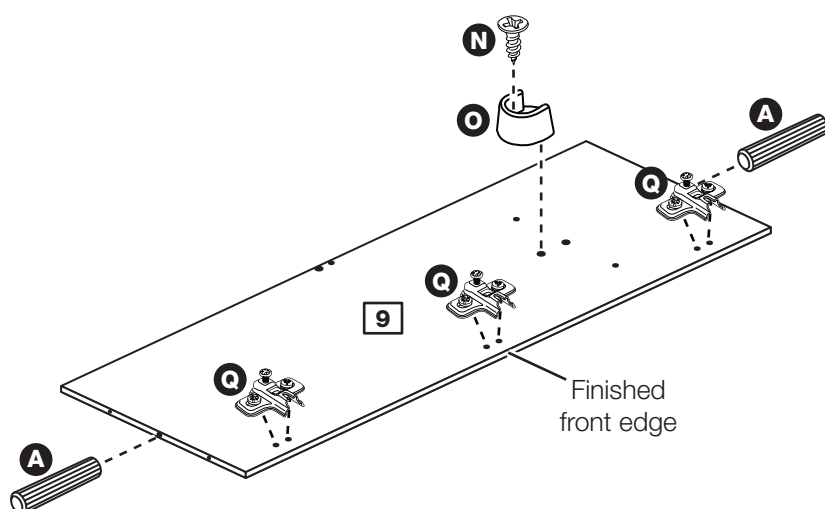
Step 12

Prepare the upright

Fit 3 hinge plates **Q** into the holes shown on the upright **9** making sure that the slot is facing towards the finished front edge.

Push a rail holder **O** into the upright **9**. Make sure that it is fitted straight, in line with the panel edges and then secure with screw **N**.

Tap 2 wooden dowels **A** into the upright **9**.

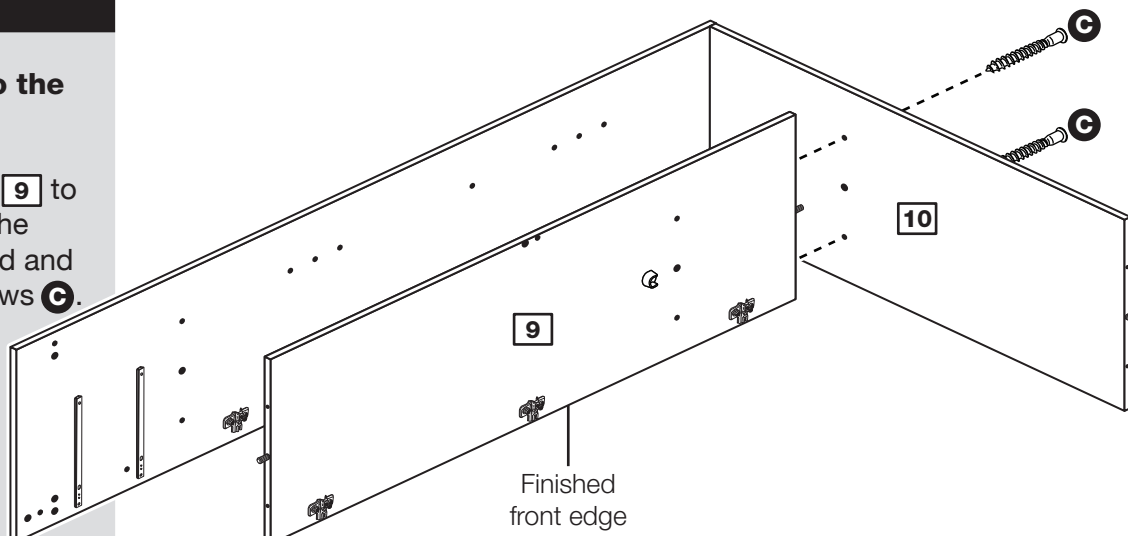


Assembly Instructions

Step 13

Fit the upright to the top

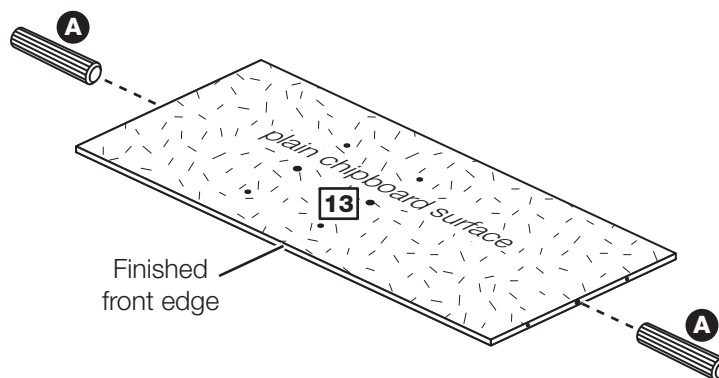
Attach the upright **9** to the top **10** using the dowel already fitted and secure with 2 screws **C**.



Step 14

Prepare the base

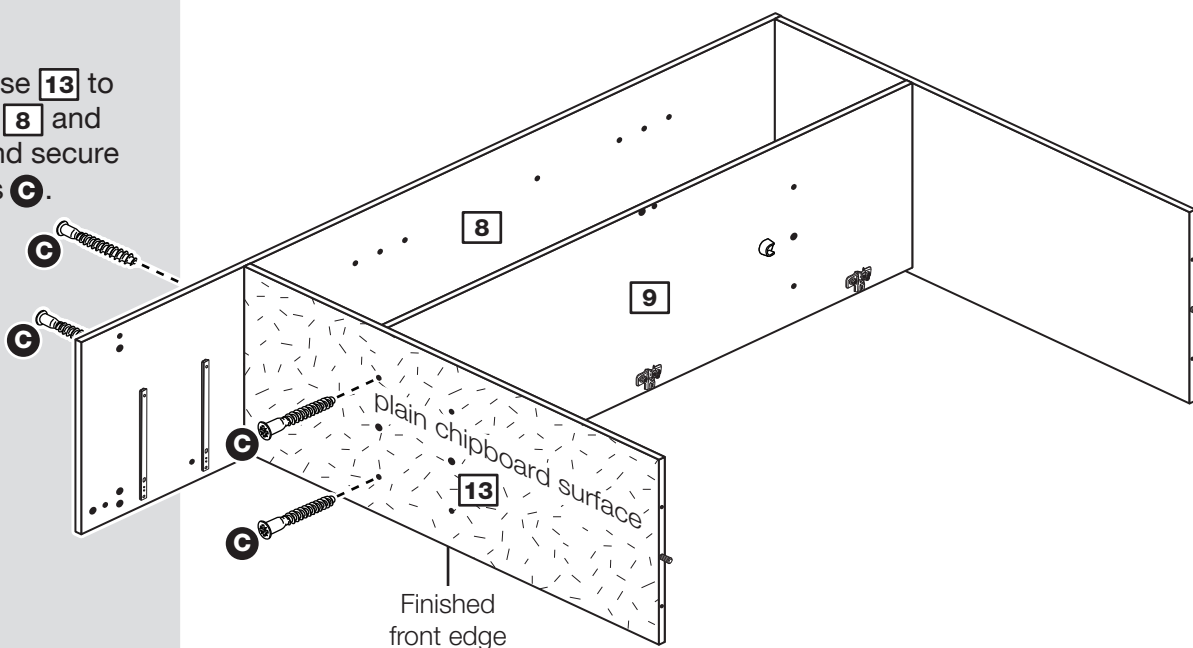
Tap 2 wooden dowels **A** into the base **13**.



Step 15

Fit the base

Attach the base **13** to the right side **8** and upright **9** and secure with 4 screws **C**.

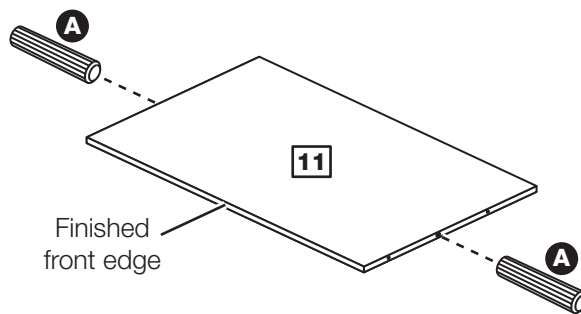


Assembly Instructions

Step 16

Prepare the horizontal

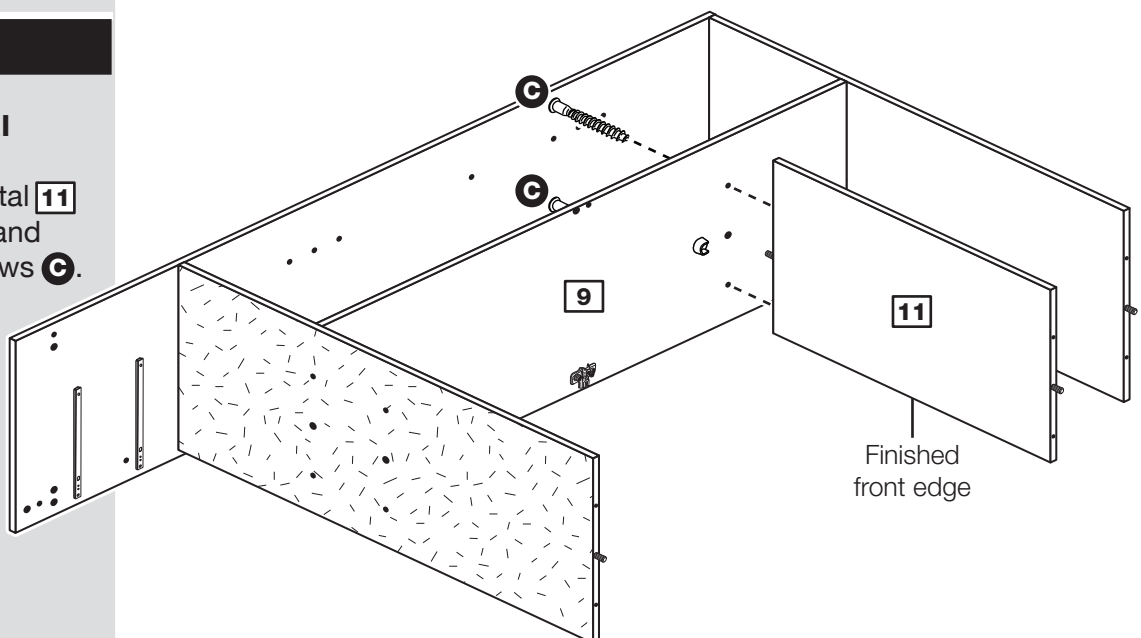
Tap 2 wooden dowels **A** into the horizontal **11**.



Step 17

Fit the horizontal

Attach the horizontal **11** to the upright **9** and secure with 2 screws **C**.



Assembly Instructions

Step 18

Prepare the divider

a: Place 2 runners **S** on the divider **12** as shown. Slide back the top of runner and use the 2nd hole from the front to fit the 1st screw **X**.

b: Slide the runner **S** back the other way and fit the 2nd screw **X** into the corresponding hole in the divider **12**.

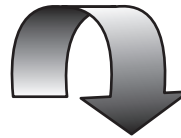
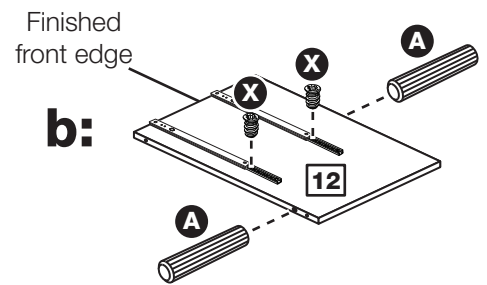
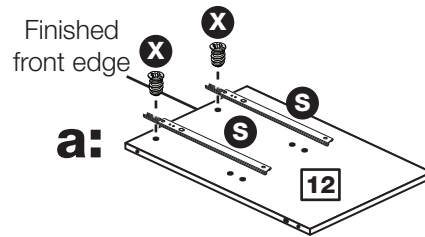
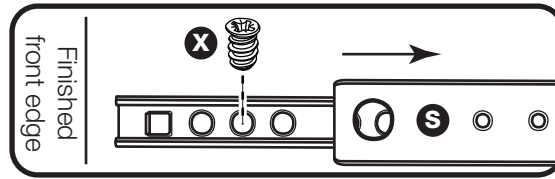
Tap 2 wooden dowels **A** into the divider **12**.

Turn the divider over

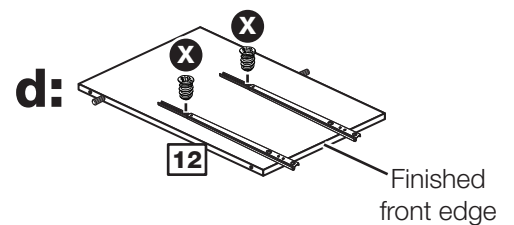
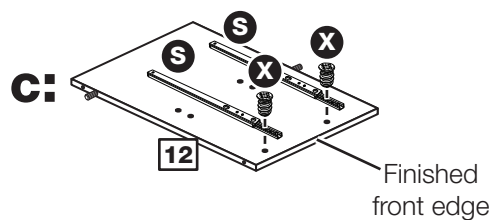
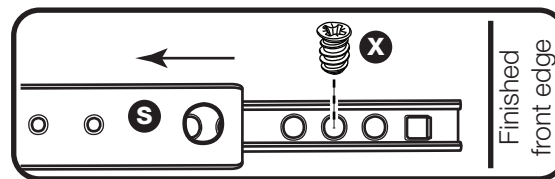
c: Place 2 runners **S** on the divider **12** as shown. Slide back the top of runner and use the 2nd hole from the front to fit the 1st screw **X**.

d: Slide the runner **S** back the other way and fit the 2nd screw **X** into the corresponding hole in the divider **12**.

Note: The colour of the divider may differ from the main unit colour or may be plain chipboard.



Turn the divider over

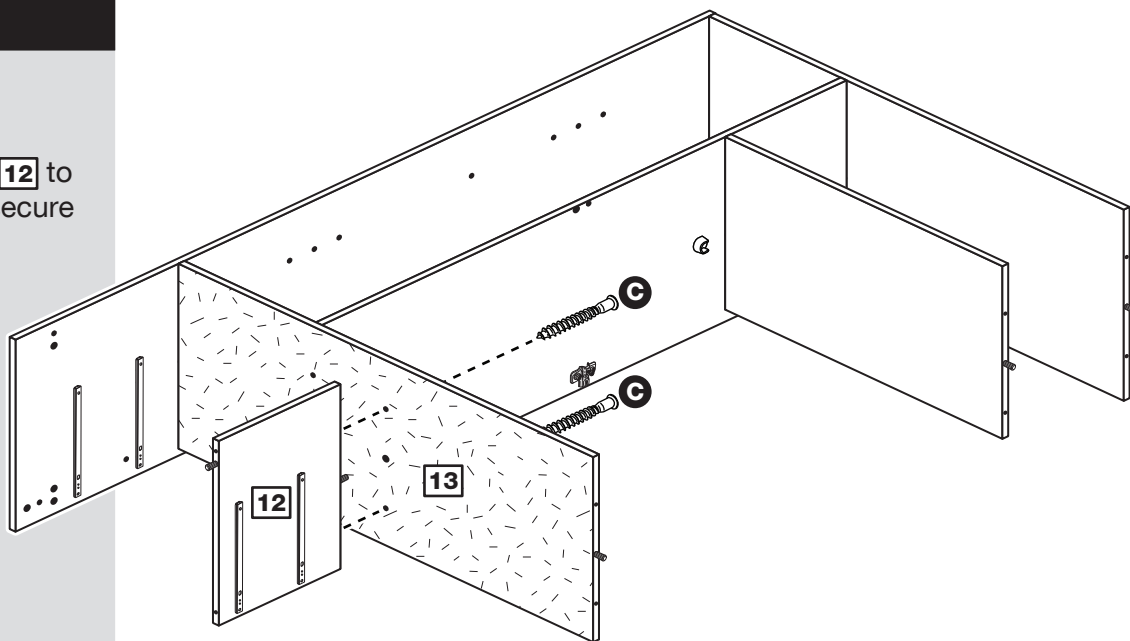


Assembly Instructions

Step 19

Fit the divider

Attach the divider **12** to the base **13** and secure with 2 screws **C**.



Step 20

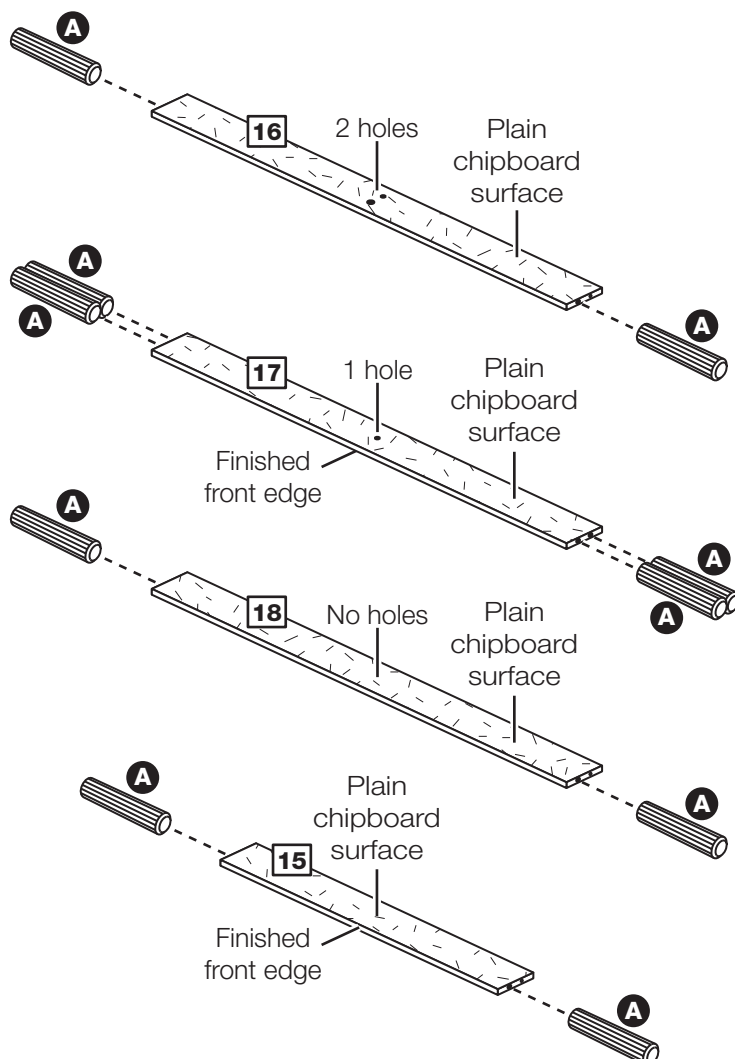
Prepare the base rail, rail, plinth and back rail

Tap 2 wooden dowels **A** into the base rail **16**.

Tap 4 wooden dowels **A** into the rail **17**.

Tap 2 wooden dowels **A** into the plinth **18**.

Tap 2 wooden dowels **A** into the back rail **15**.



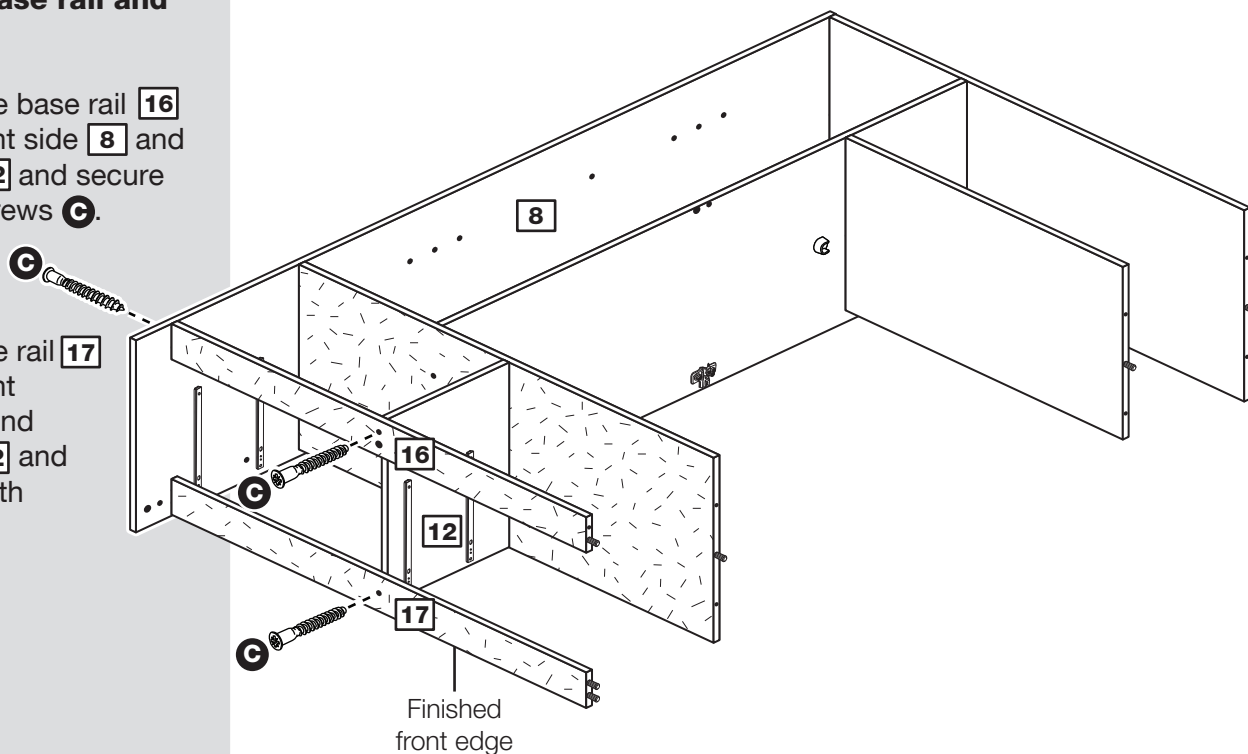
Assembly Instructions

Step 21

Fit the base rail and rail

Attach the base rail **16** to the right side **8** and divider **12** and secure with 2 screws **C**.

Attach the rail **17** to the right side **8** and divider **12** and secure with screw **C**.

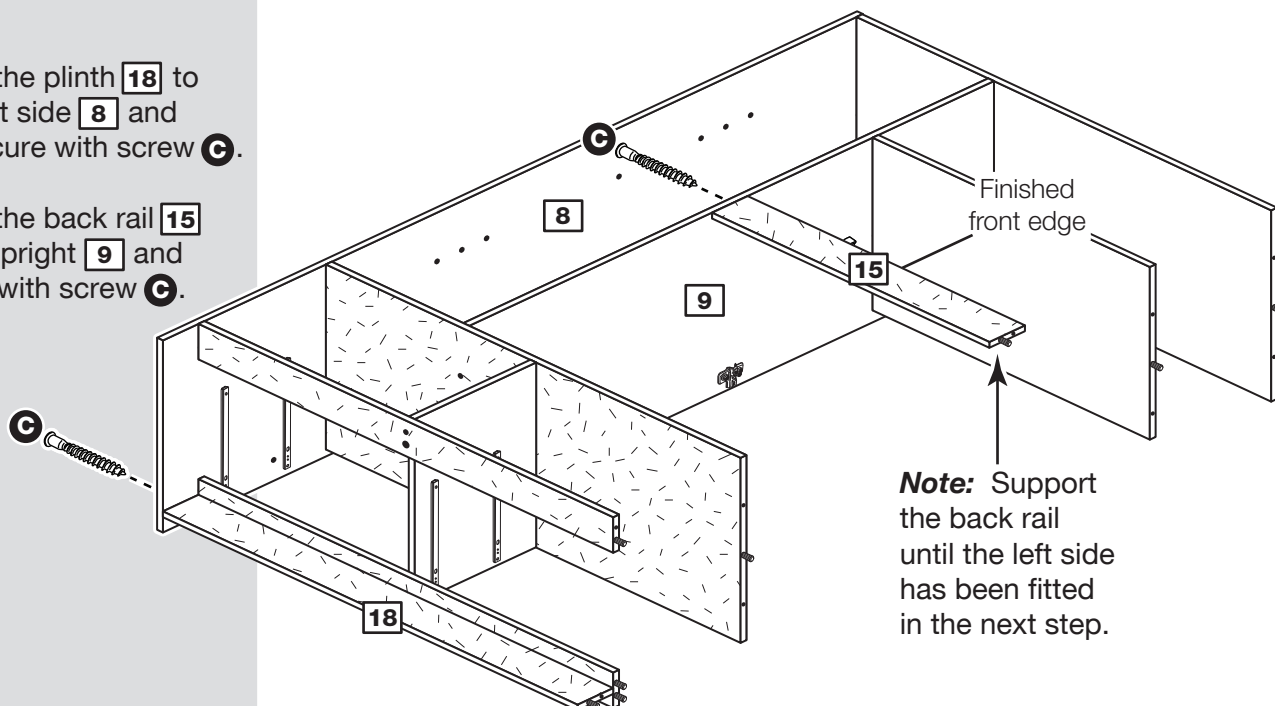


Step 22

Fit the plinth and back rail

Attach the plinth **18** to the right side **8** and secure with screw **C**.

Attach the back rail **15** to the upright **9** and secure with screw **C**.



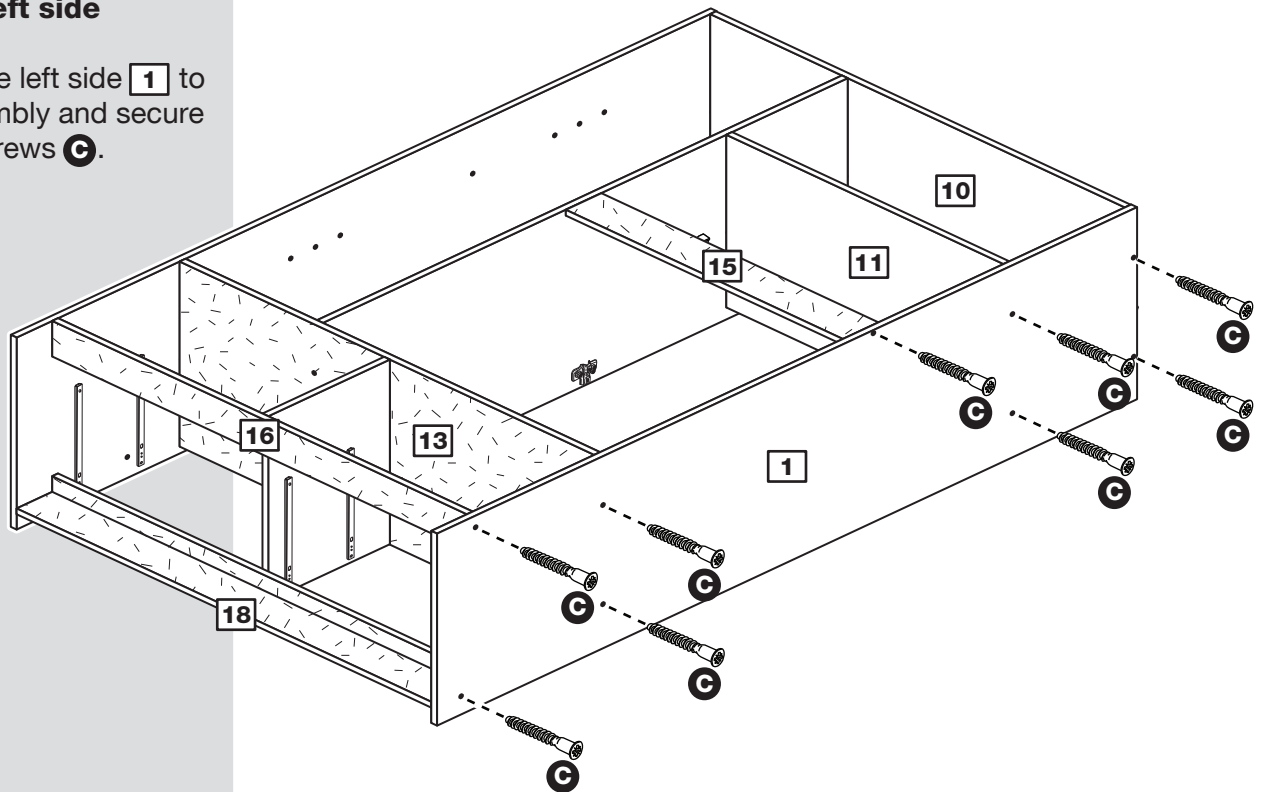
Note: Support the back rail until the left side has been fitted in the next step.

Assembly Instructions

Step 23

Fit the left side

Attach the left side **1** to the assembly and secure with 9 screws **C**.



Assembly Instructions

Step 24

Fit the back panel

a: Square up the unit by making sure that measurement **x to x** equals **y to y**.

Place the small back **21** and large back **22** down onto the unit as shown, with the white surface facing the inside of the unit.

Make sure that the 2 backs are pushed up tight against each other and that they meet in the centre of the upright panel's edge.

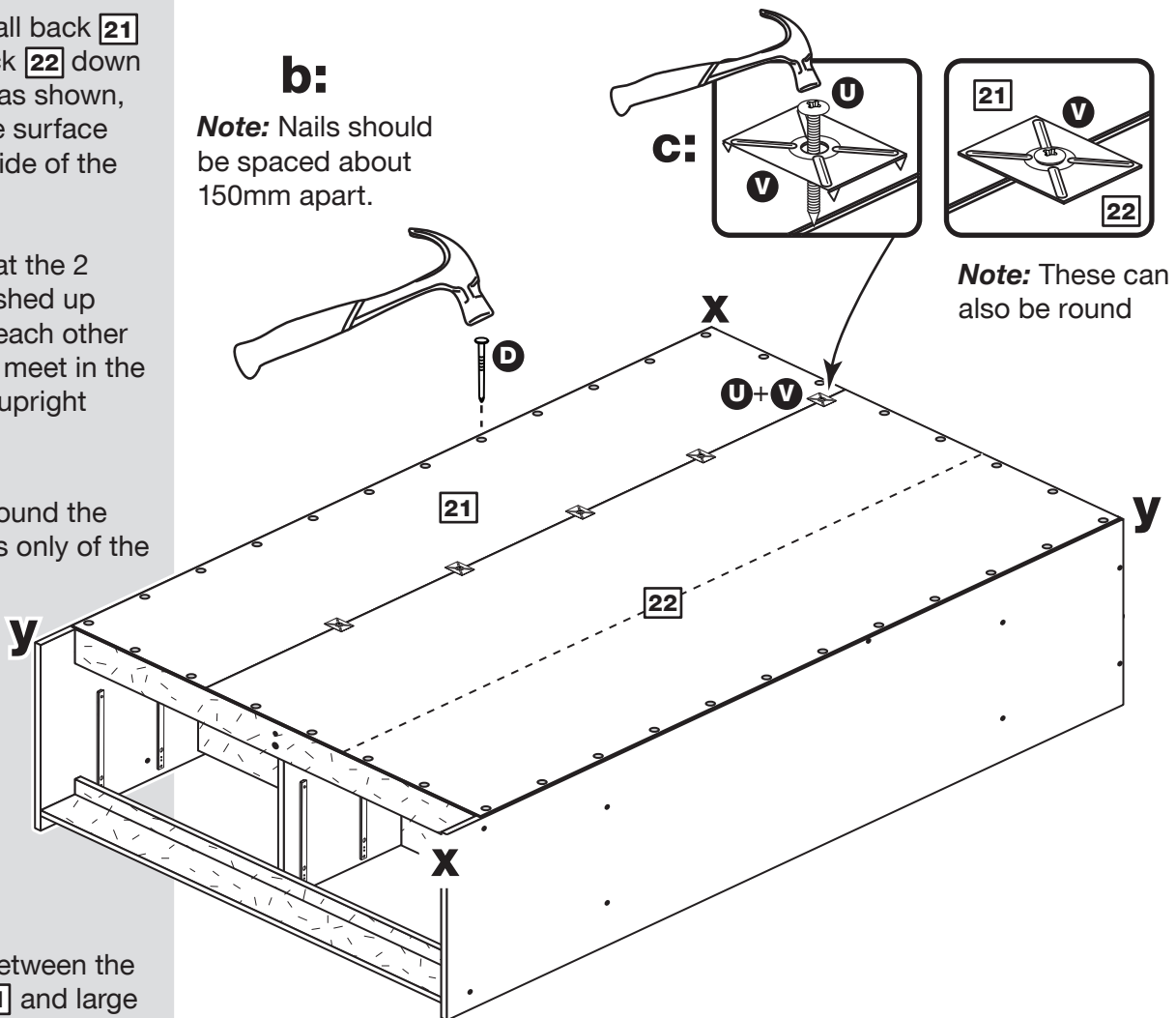
b: Nail **D** around the outside edges only of the 2 back panels **21** and **22**.

c: Push the nail screws **U** through the back holders **V** and tap them down between the small back **21** and large back **22** and into the back edge of the divider.

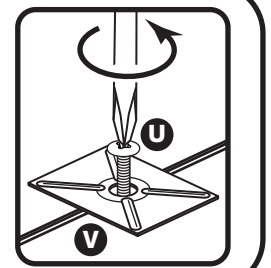
Keep tapping the nail screws **U** in until the back holders **V** dig into the small and large back.

a: The measurement from top corner X to bottom corner X must be equal to the measurement from top corner Y to bottom corner Y

b:
Note: Nails should be spaced about 150mm apart.



Note: If ever you need to take the backs off to dismantle the unit, the nail screws can be taken out using a screwdriver.



Assembly Instructions

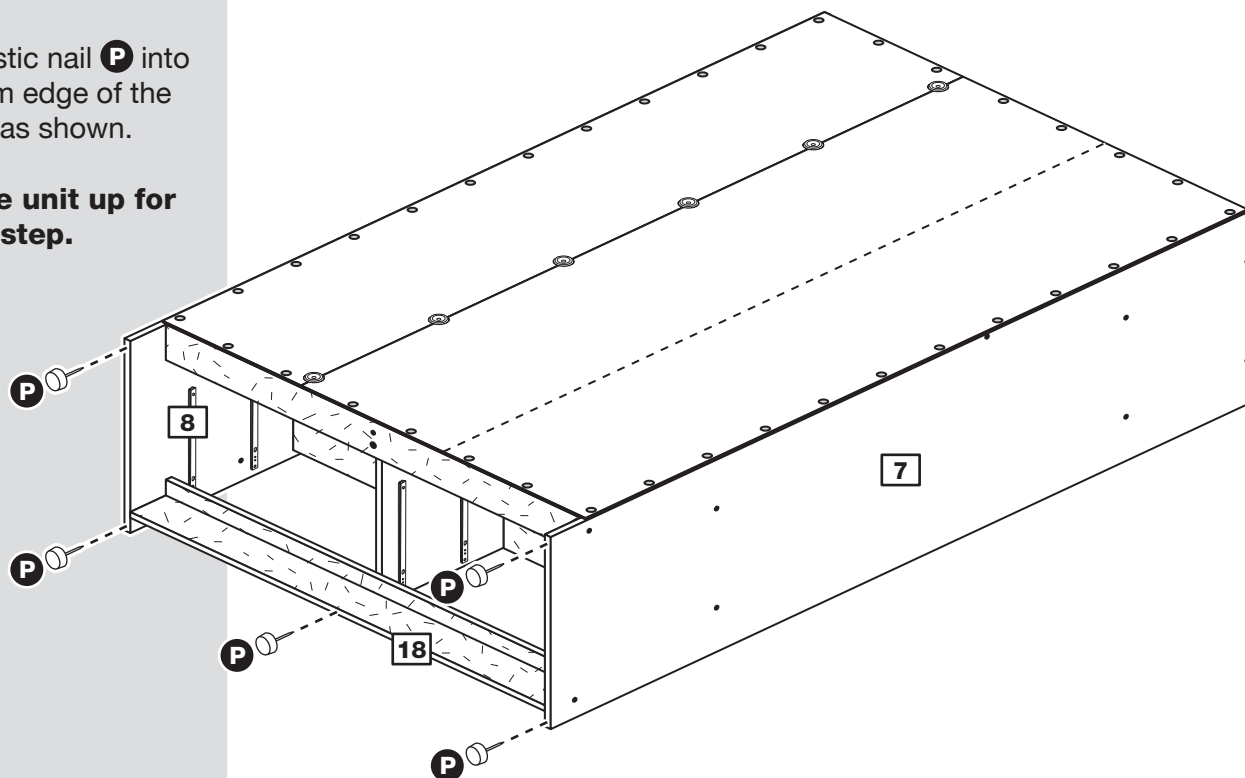
Step 25

Fit the 4 plastic nails

Tap 2 plastic nails **P** into the bottom edge of each side **7** and **8** as shown.

Tap 1 plastic nail **P** into the bottom edge of the plinth **18** as shown.

Stand the unit up for the next step.



Warning: The robe is heavy. Lift with care.

Assembly Instructions

Step 26

Fit the hanging rail and drawers

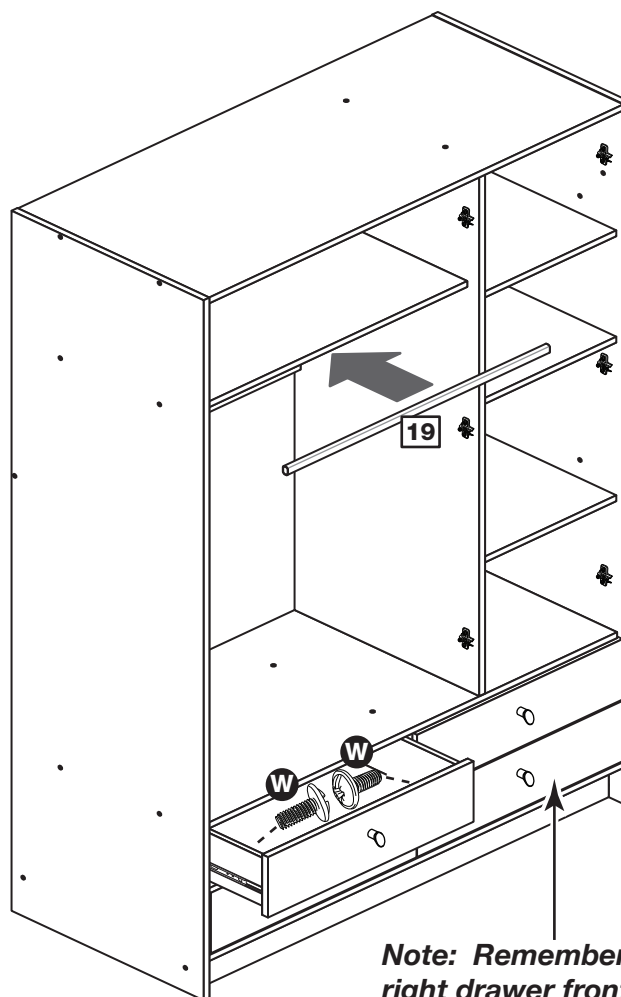
a: Push the hanging rail **19** into the rail holders **o** on the side panels.

b: Starting with the bottom drawer, slide both the runners **s** forward and locate the drawer sides **3** and **4** between them, lining up the holes in the drawer wrap with the 2nd 'threaded' holes in the runners **s**.

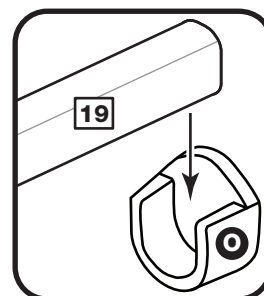
Working from the inside of the drawer, insert 2 screws **w** through the drawer sides and out into the 2nd threaded hole in the runner.

Note: Do not overtighten the screws.

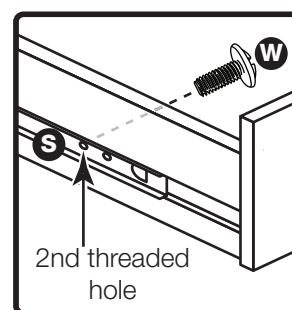
If they catch on the runner you may need to loosen them slightly.



a:



b:



Note: Remember the right drawer fronts have identification marks - refer back to step 1.

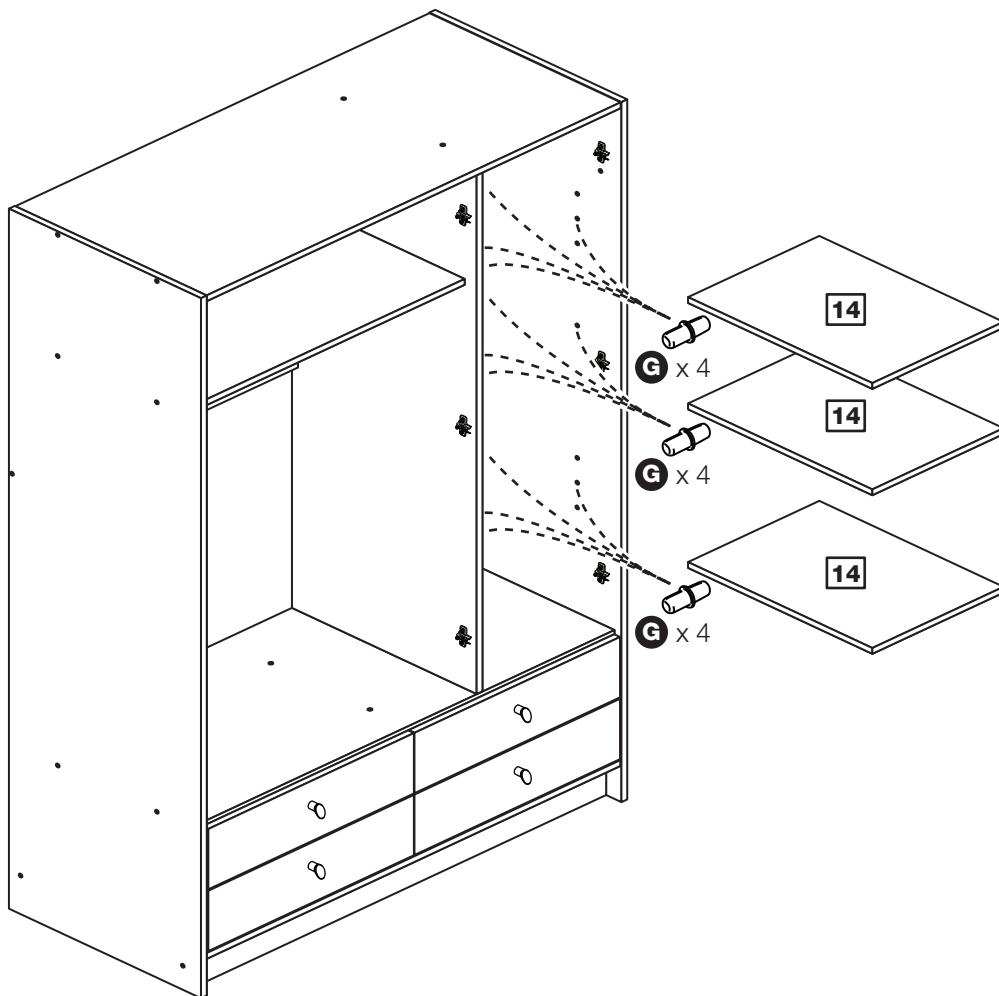
Assembly Instructions

Step 27

Fit the 3 loose shelves

Insert 4 shelf studs **G** for each of the shelves.

Slide in the 3 loose shelves **14**, placing them on top of the shelf studs **G**.



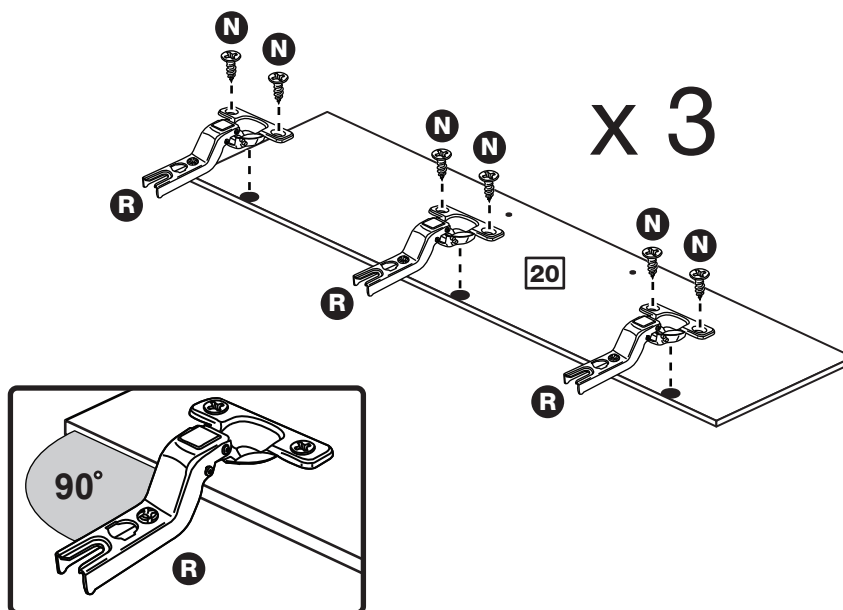
Step 28

Prepare the 3 doors

Push fit 3 hinges **R** into each of the 3 doors **20**.

Secure each hinge with 2 screws **N**.

Note: Before securing with the screws, make sure that the hinges are positioned at 90 degrees with the edge of the door.



Assembly Instructions

Step 29

Drill a handle hole in small door

Important: Please follow these instructions carefully.

Lay the 3 doors **20** down onto a smooth surface.

Check that the hinges and holes are in the same place as the diagrams.

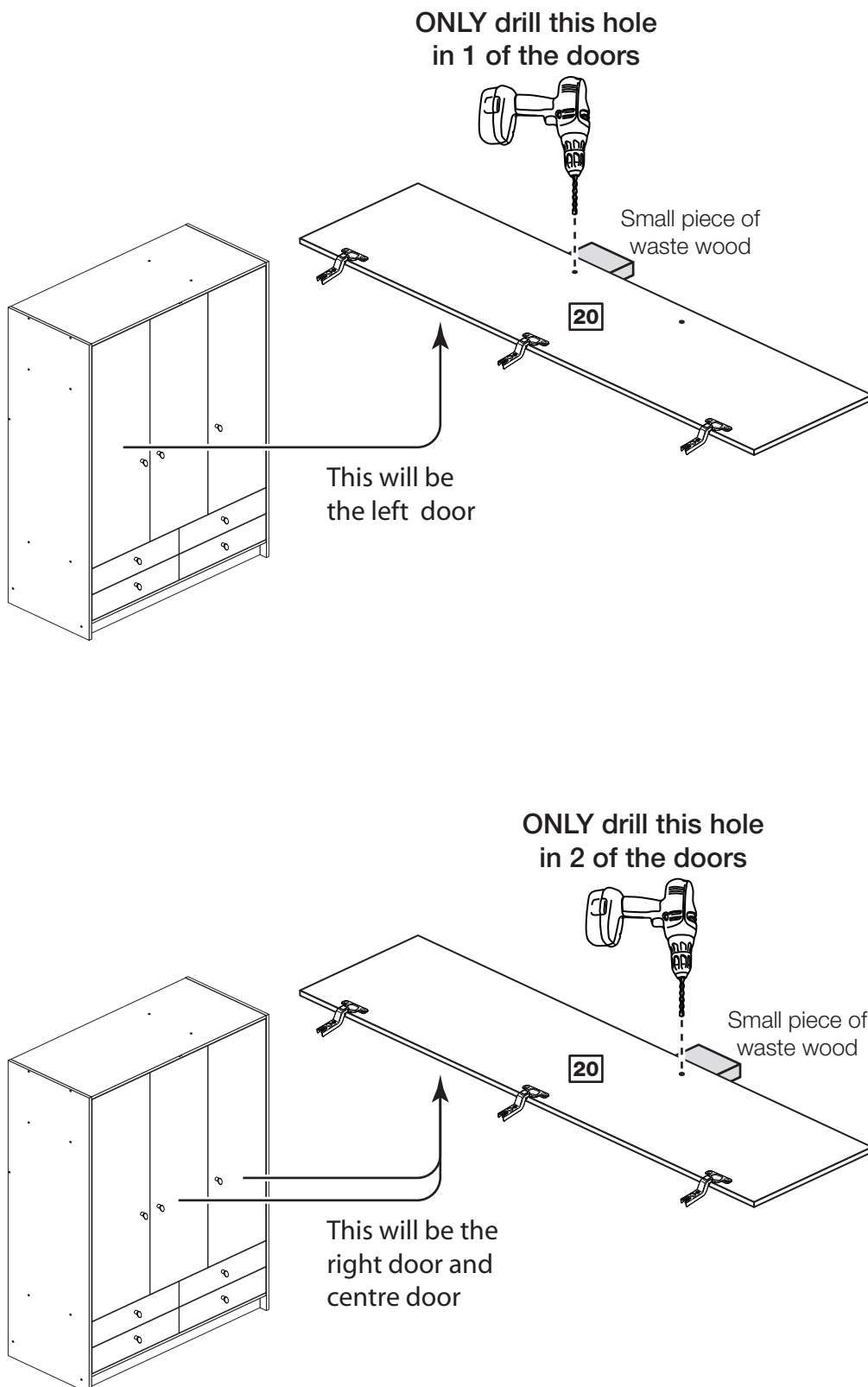
Note: We recommend the use of a small piece of waste wood, placed behind the hole while drilling, to reduce the possibility of any breakout.

Using the pilot hole in the rear face of the door, drill through the hole indicated opposite, using a 2.5mm diameter drill.

Turn the door over and open out the 2.5mm hole that you have just drilled by drilling back through it with a 5mm drill.

IMPORTANT

Carefully choose which hole you need to drill in each door



Assembly Instructions

Step 30

Fit doors and handles

Note: The easiest way to attach each door **20** is to fit the top hinge first, then align and fit the other hinges.

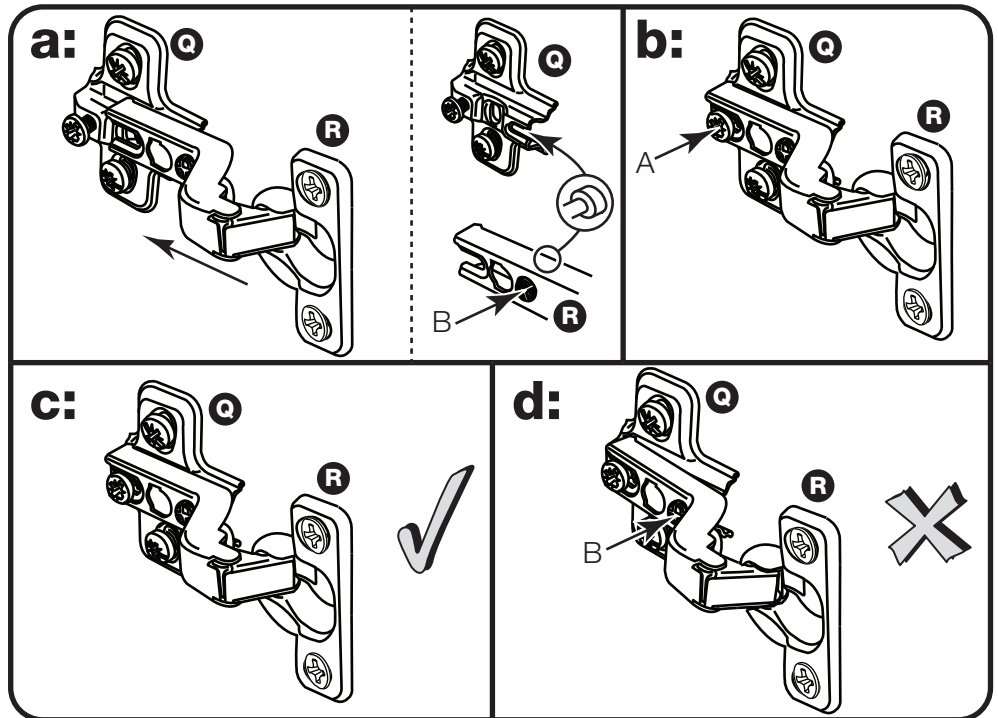
a: Push the hinge **R** onto the front part of the hinge plate **Q**. The recess at the bottom of screw B goes into the slot in the hinge plate.

b: Keep the hinge **R** FLAT against the hinge plate **Q** as you slide it across as far as it will go. Tighten screw A.

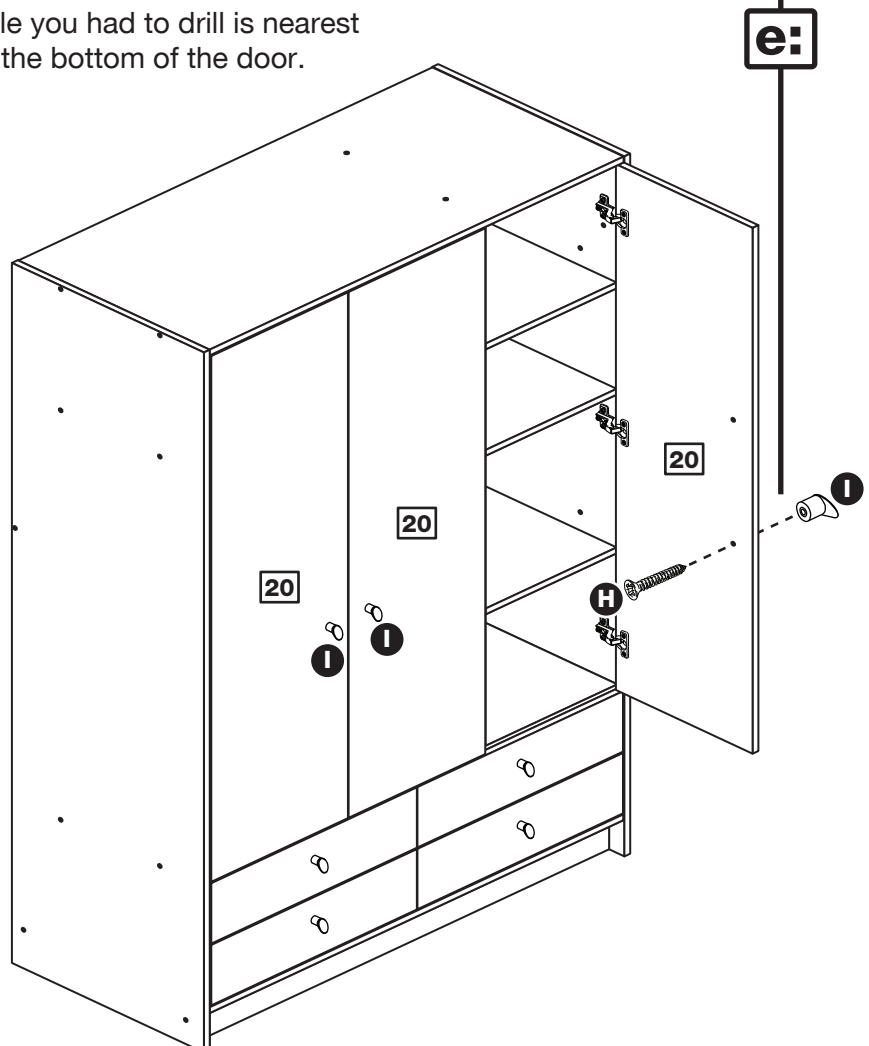
c: The hinge **R** must be flat against the hinge plate **Q** prior to any adjustment.

d: The hinge **R** must NOT be AT AN ANGLE to the hinge plate **Q** when assembled. This would indicate that the recess at the bottom of screw B had not located in the slot in the hinge plate and the hinge would not be secure. Remove the hinge from the hinge plate and then re-assemble being careful to follow instructions a-c.

e: Attach a handle **I** to each of the 3 doors **20** using screws **H**.



Note: When fitting the doors, make sure that the handle hole you had to drill is nearest to the bottom of the door.



Assembly Instructions

Step 31

Adjust the doors if needed

a: Before adjusting the doors, use a spirit level to check the base (or top) of the unit is level, front-to-back and side-to-side in the 3 positions shown. Use suitable packing pieces (not supplied) to make the unit level BEFORE making any adjustment to the hinges, as shown.

b: Height adjustment.

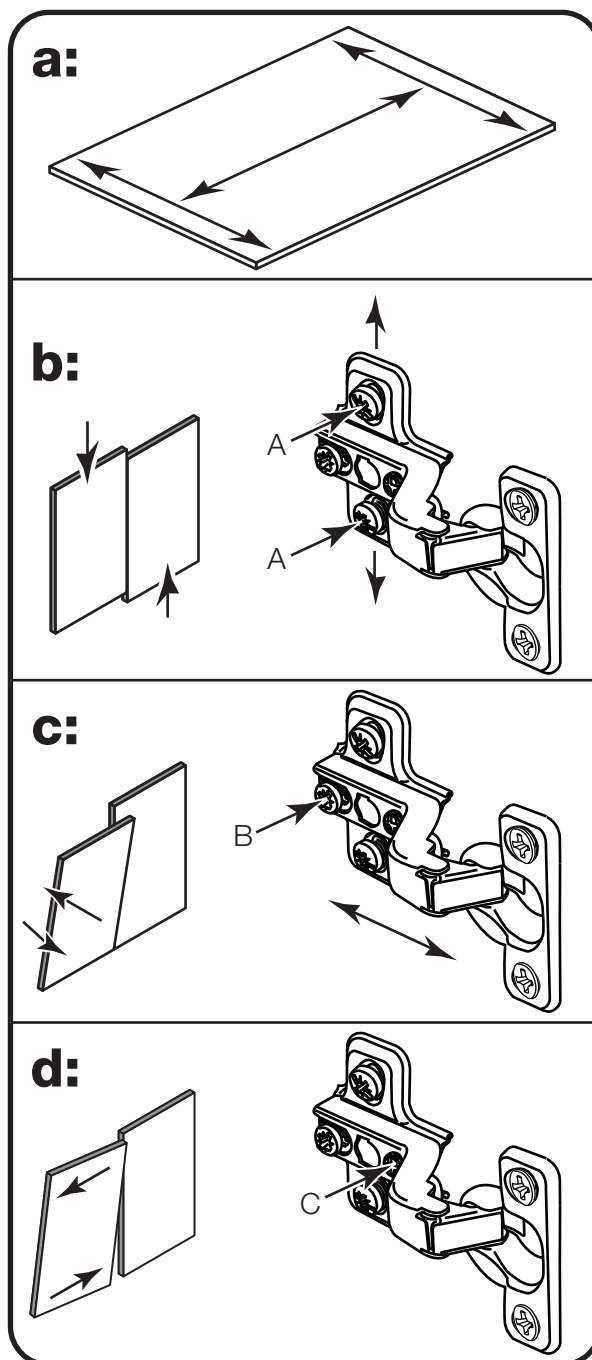
Loosen screws A on hinge plates and move door up or down as required. Retighten screw A.

c: Forward and Back adjustment.

Loosen screw B on hinge plate and move door in or out as required. Retighten screw B.

d: Sideways adjustment.

To move door 'out' loosen screw C. To move door 'in' tighten screw C.



Assembly Instructions

Step 32

Joining units together

Fittings have been supplied so you are able to join units together.

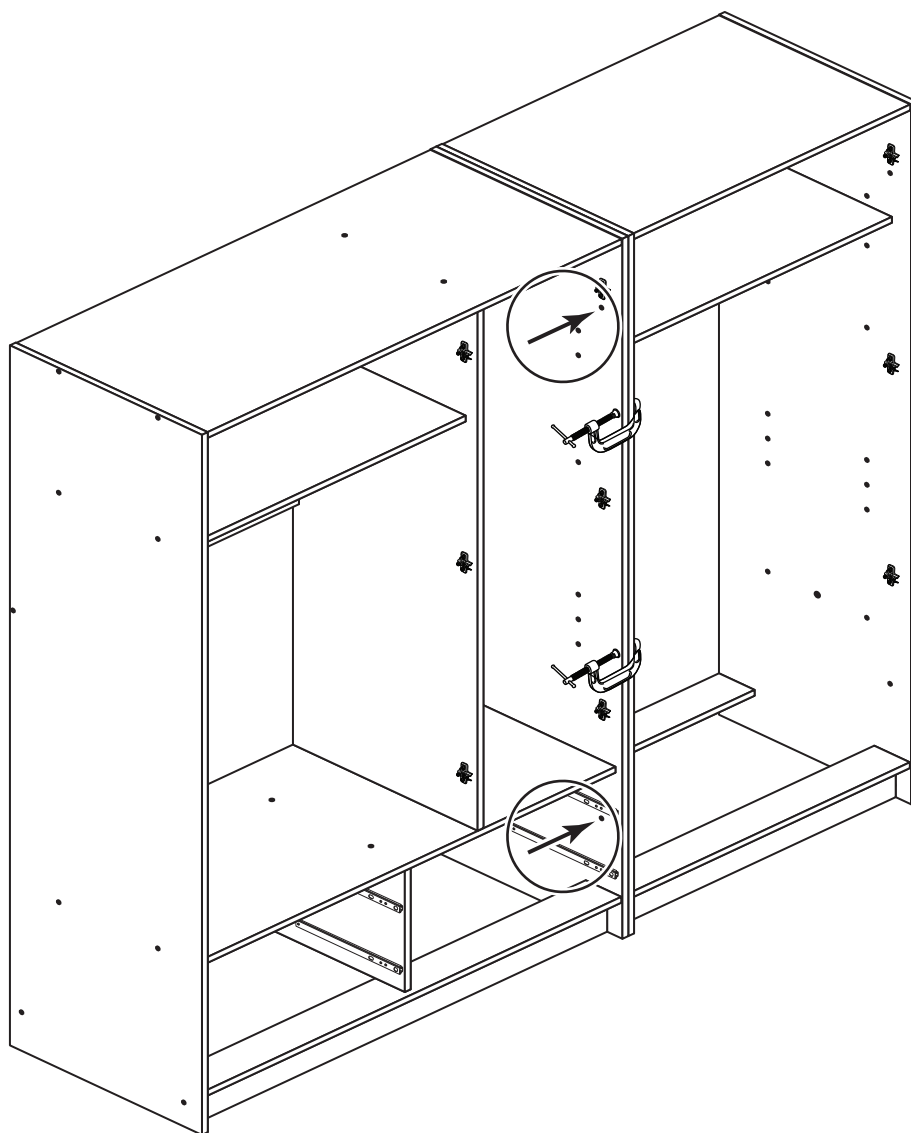
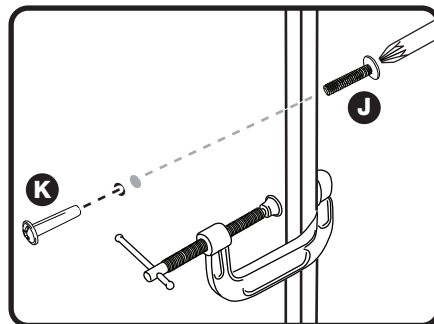
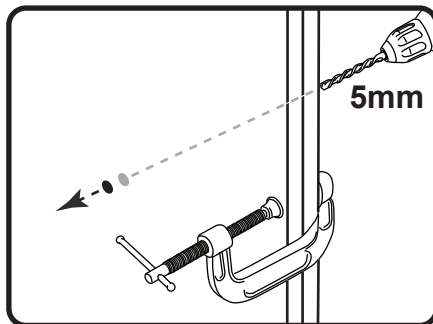
Make sure that your first unit is level.

Push the other unit up against the first unit and ensure both units are level.

Check that the ends are flush and in line, then clamp them together.

Using a 5mm drill bit, drill through the 2 holes (shown circled) in the side panel into the adjoining side panel of the other unit.

Push the connecting sleeves **K** into the holes and then screw the connecting bolts **J** in from the other side.



Assembly Instructions

Step 33

Attach bracket to top

To prevent possible overbalancing, we recommend that this unit is secured to a suitable wall by use of the bracket **L** fitted to the top of the unit.

Fixings are not supplied, as they will need to suit the wall type and the length of screw will depend on the distance from the back of the unit to the wall.

Fix the bracket **L** loosely onto the top of the unit using screw **M** and mark the wall for the wall fixing.

Swivel the bracket **L** away from the wall and drill a hole in the wall using a suitable drill bit and fit your wall fixing.

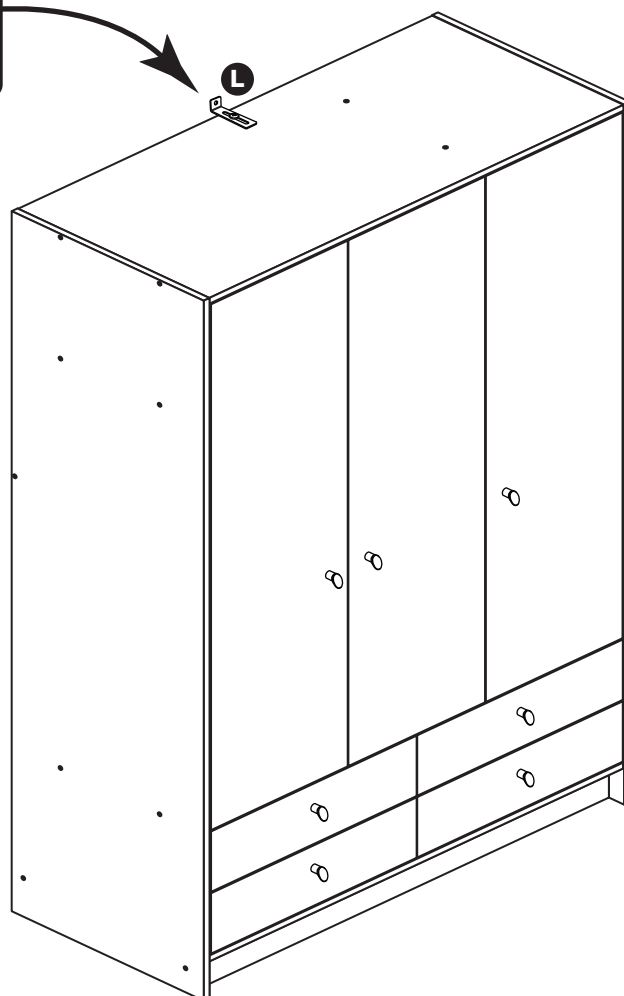
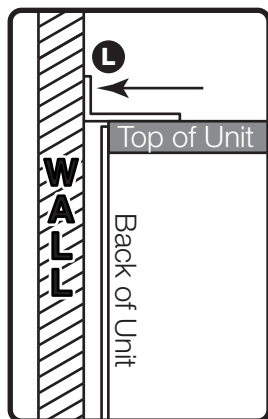
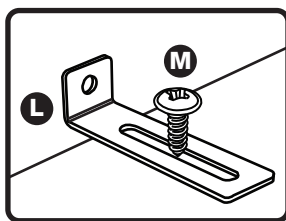
Swivel the bracket **L** back and fix the bracket to the wall, then tighten screw **M**.

Note: Take care when drilling the wall that you do not drill into any pipes, wires etc. If in doubt, consult an expert.

Assembly is complete



Warning: The unit is heavy. Lift with care.



If you need help or have damaged or missing parts, call the Customer Helpline: 08456 400800 and quote the reference numbers on the component pages.

Argos Ltd, 489-499 Avebury Boulevard, Central Milton Keynes, MK9 2NW

Malibu - 4 Drawer 3 Door Robe

Assembly Instructions - Please keep for future reference

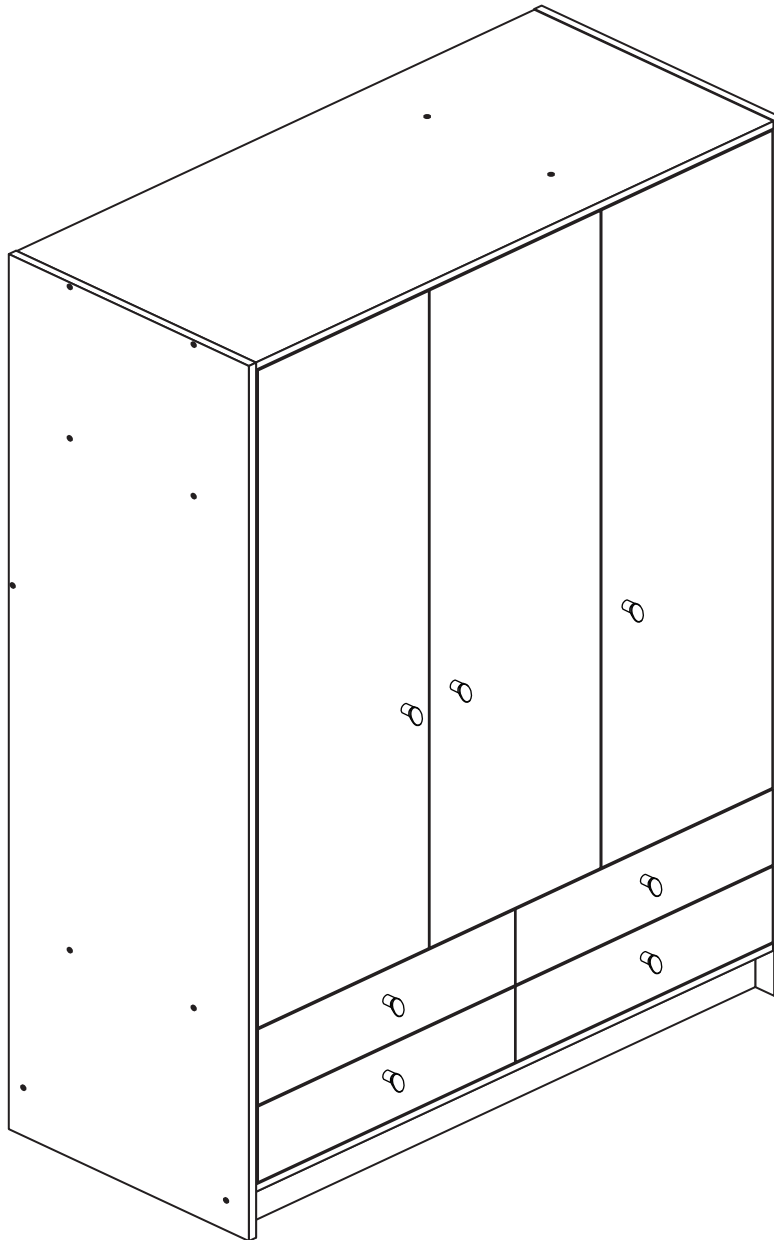
264/1003

248/3326

248/5410

274/5930

259/1689



Dimensions

Width - 110cm

Depth - 50cm

Height - 181cm



MADE IN
BRITAIN

Important - Please read these instructions fully before starting assembly

If you need help or have damaged or missing parts, call the Customer Helpline: 03456 400800



Safety and Care Advice

Important - Please read these instructions fully before starting assembly

- **Warning:** This unit weighs approximately 79kgs. Please lift with care.
- Check you have all the components and tools listed on pages 2 and 3.
- Remove all fittings from the plastic bags and separate them into their groups.
- Keep children and animals away from the work area, small parts could choke if swallowed.
- Parts of the assembly will be easier with 2 people.

- Make sure you have enough space to layout the parts before starting.
- Do not stand or put weight on the product, this could cause damage.
- Assemble the item as close to its final position (in the same room) as possible.
- Assemble on a soft level surface to avoid damaging the unit or your floor (use opened out unit carton).



• We do not recommend the use of power drill/drivers **for inserting screws**, as this could damage the unit. Only use hand screwdrivers.

- **Safety note:** It is recommended that this unit is secured to a wall using the overbalance protector kit supplied or, an alternative fixing method of your choice.
- Dispose of all packaging carefully and responsibly.

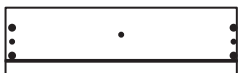
Care and maintenance

- Only clean using a damp cloth and mild detergent, do not use bleach or abrasive cleaners.
- From time to time check that there are no loose screws on this unit.
- This product should not be discarded with household waste. Take to your local authority waste disposal centre.

Components - Panels

If you have damaged or missing components, call the **Customer Helpline: 03456 400800** quoting the reference numbers below

Please check you have all the panels listed below



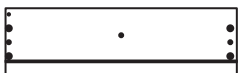
1 Left Drawer Front (D2884A)
(531 x 156mm) x 2



3 Left Drawer Side (W370-124LH)
(370 x 124mm) x 4



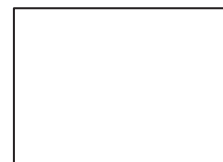
5 Drawer Back (W495-124BCK)
(495 x 124mm) x 4



2 Right Drawer Front (D2885A)
(531 x 156mm) x 2



4 Right Drawer Side (W370-124RH)
(370 x 124mm) x 4

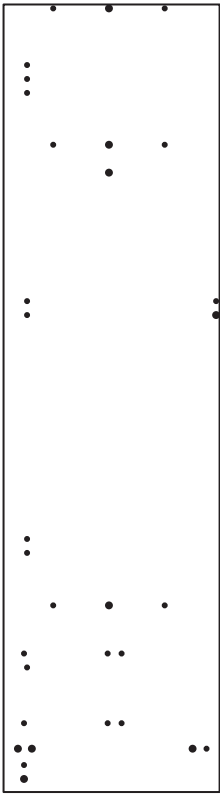


6 Drawer Base (T506-367)
(506 x 367mm) x 4

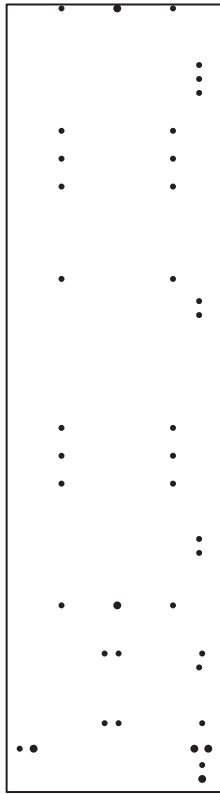
Components - Panels

If you have damaged or missing components, call the **Customer Helpline: 03456 400800** quoting the reference numbers below

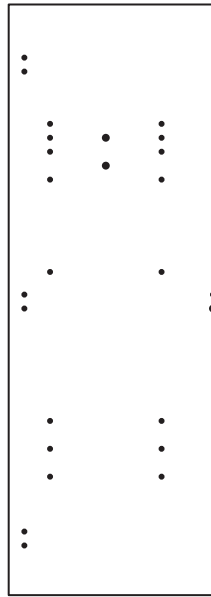
Please check you have all the panels listed below



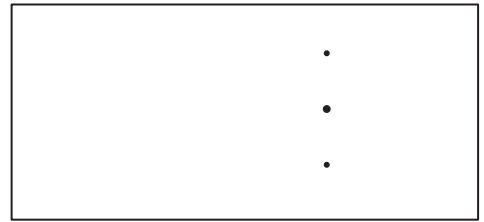
7 Left Side (D2876A)
(1808 x 496mm)



8 Right Side (D2877A)
(1808 x 496mm)



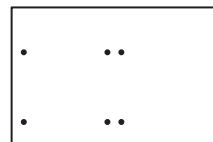
9 Upright (D2878A)
(1356 x 477mm)



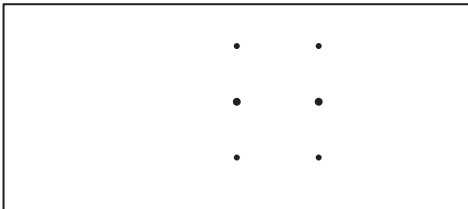
10 Top (D2837A)
(1071 x 494mm)



11 Horizontal (D2880A)
(716 x 446mm)



12 Divider (D2879A)
(314 x 477mm)



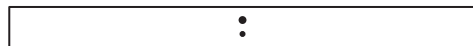
13 Base (D2881A)
(1071 x 478mm)



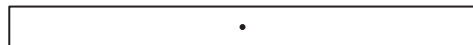
14 Loose Shelf (D2843A)
(339 x 476mm) x 3



15 Back Rail (D2847A)
(716 x 92mm)



16 Base Rail (D2882A)
(1071 x 92mm)



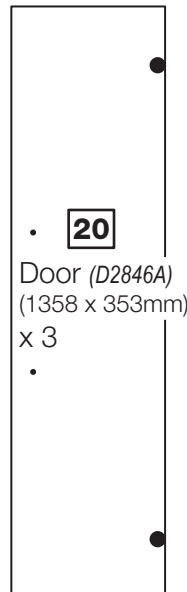
17 Rail (D2883A)
(1071 x 92mm)



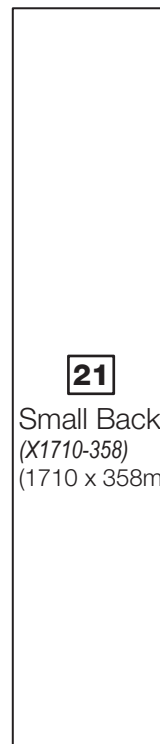
18 Plinth (D2844A)
(1071 x 92mm)



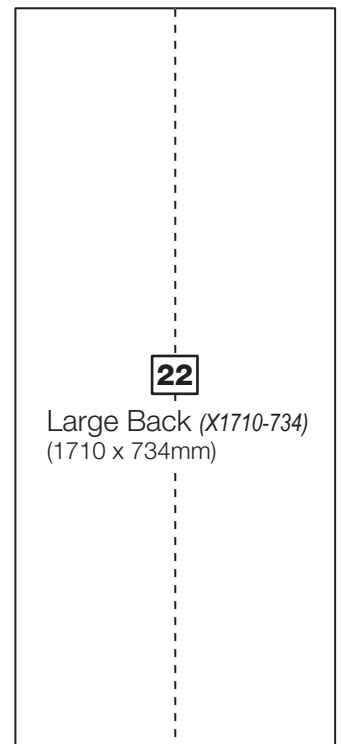
19 Hanging Rail (FHR704)
(704mm long)



20 Door (D2846A)
(1358 x 353mm)
x 3



21 Small Back (X1710-358)
(1710 x 358mm)



22 Large Back (X1710-734)
(1710 x 734mm)


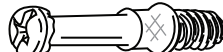

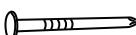






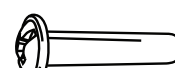



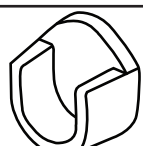
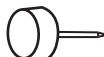

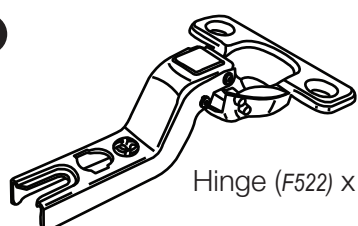



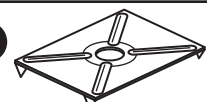
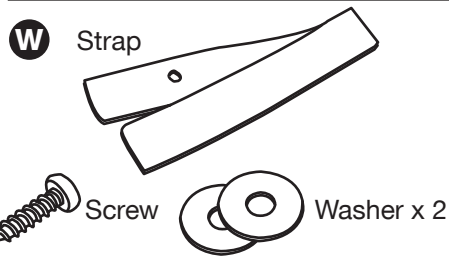


Components - Fittings

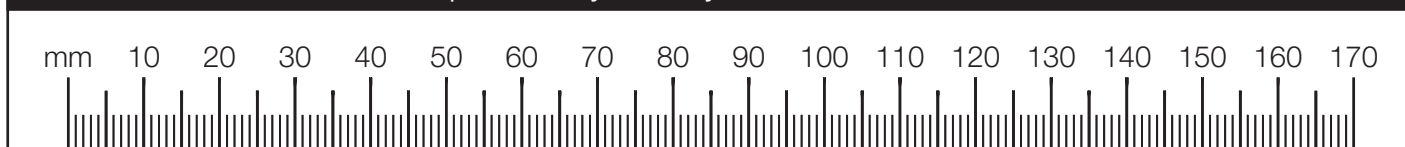
If you have damaged or missing components, call the **Customer Helpline: 03456 400800** quoting the reference numbers below

Please check you have all the fittings listed below

Note: The quantities below are the correct amount to complete the assembly. In some cases more fittings may be supplied than are required.

A  Wooden dowel (F22) x 20	B  Metal dowel (F901) x 8	C  40mm Screw (F910) x 26												
D  Nail (F51) x 33	E  Wedgifix (F639) x 8	F  Small locking nut (F3) x 8												
G  Shelf stud (F110) x 12	H  25mm Screw (F50) x 7	I  Handle (F631) x 7												
J  19mm Connecting bolt (F461) x 2	K  25mm Connecting sleeve (F432) x 2	L  9mm Screw (F73) x 16												
M  9mm Screw (F74) x 8	N  13mm Screw (F63) x 20	O  Rail holder (F1014) x 2												
P  Plastic Nail (F91) x 5	Q  Hinge plate (F523) x 9	R  Hinge (F522) x 9												
S  Drawer runner (F1004) x 8														
T  Knock-in Peg (F1716Y) x 16	U  Nail screw (F277) x 5	V  *These can also be round Back holder (F276) x 5												
W  Strap Screw Washer x 2 Overbalance protector kit (F269) x 1	Tools required <table border="0"> <tr> <td>Rule</td> <td>Hammer</td> <td>Cross-head screwdriver</td> </tr> <tr> <td>Square</td> <td>Bradawl</td> <td>Eye protection (when using a hammer or drill)</td> </tr> <tr> <td>Scissors</td> <td>Electric drill</td> <td></td> </tr> <tr> <td>Spirit level</td> <td>Step ladder</td> <td></td> </tr> </table>		Rule	Hammer	Cross-head screwdriver	Square	Bradawl	Eye protection (when using a hammer or drill)	Scissors	Electric drill		Spirit level	Step ladder	
Rule	Hammer	Cross-head screwdriver												
Square	Bradawl	Eye protection (when using a hammer or drill)												
Scissors	Electric drill													
Spirit level	Step ladder													

Ruler - Use this ruler to help correctly identify the screws



Assembly Instructions

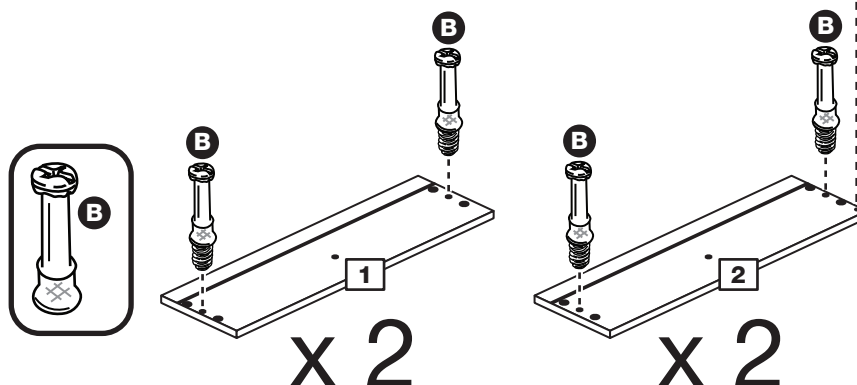
If you have damaged or missing components, call the Customer Helpline: 03456 400800 quoting the reference numbers below

Step 1

Prepare the 4 drawer fronts

Screw 2 metal dowels **B** into the 2 left drawer fronts **1** and the 2 right drawer fronts **2**.

Note: Tighten the metal dowels up fully against the panels.



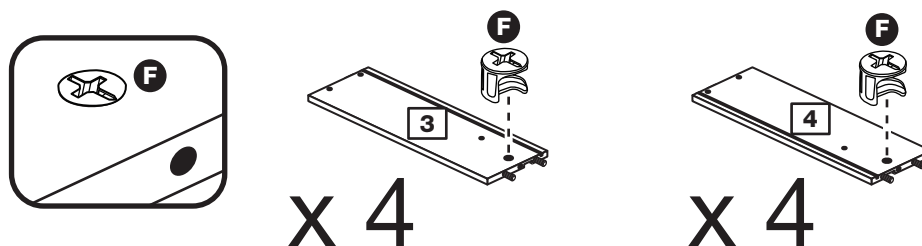
Note: The small right drawer front has a shallow identification mark.

Step 2

Prepare 4 pairs of drawer sides

Insert a small locking nut **F** into the hole shown on the left drawer side **3** and the right drawer side **4**.

Note: The arrow on the locking nut **must** point towards the hole in the edge of the panel.



Note: Due to the manufacturing process, the holes for the locking nut can be on either surface of the drawer sides.

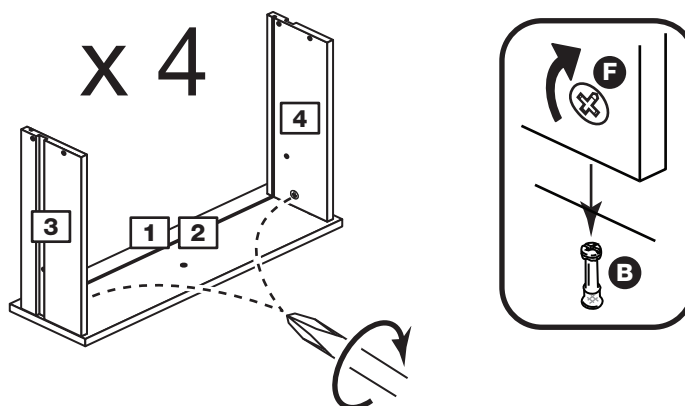
Step 3

Attach the drawer sides to the drawer fronts

Push the left drawer sides **3** and right drawer sides **4** onto the back of the 4 drawer fronts **1** and **2**.

Turn the small locking nuts **F** on the left drawer side **3** and right drawer side **4**.

Note: Turn the locking nuts **F** clockwise to secure panels - more than 1/2 a turn.



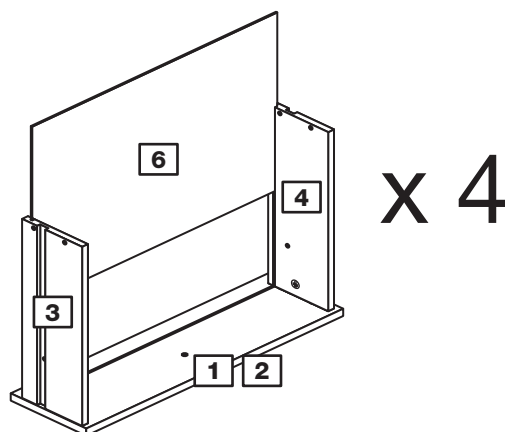
Note: The locking nuts can be on either surface of the drawer sides. Make sure that the small groove is on the inside, as shown.

Assembly Instructions

Step 4

Fit the drawer base

Slide the drawer base **6** down the grooves in the drawer sides **3** and **4** and down into the groove in the drawer fronts **1** and **2**.

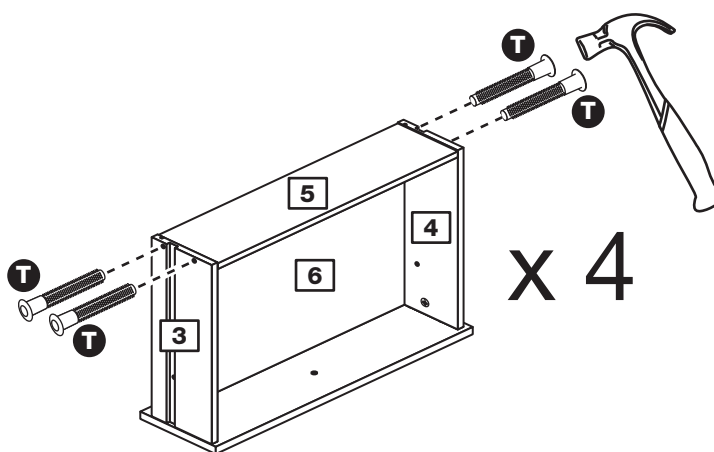


Step 5

Fit the drawer back

Fit the drawer back **5** between the drawer sides **3** and **4**. Make sure that the drawer base **6** fits into the groove in the drawer back **5**.

Hold the drawer back **5** in position and tap the knock-in pegs **T** through the holes in the drawer sides **3** and **4**.

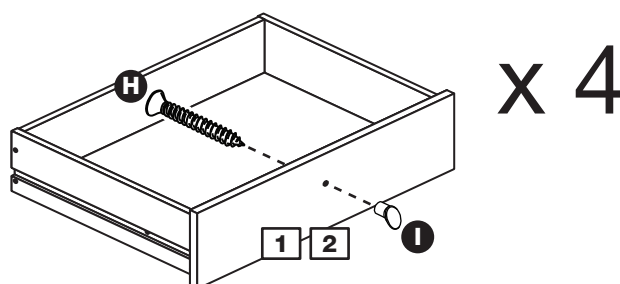


Step 6

Attach the handles

Attach a handle **I** to each of the drawer fronts **1** and **2** using screw **H**.

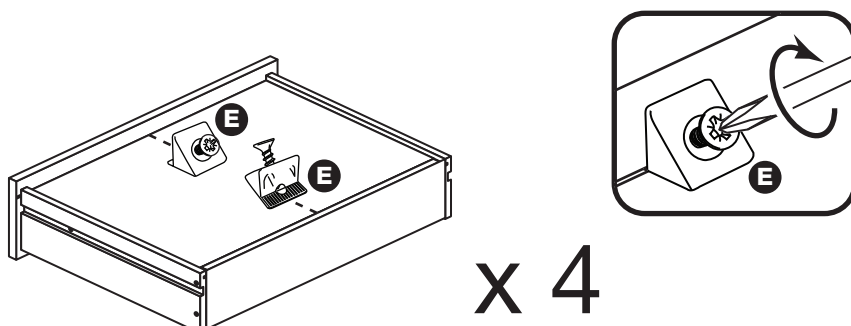
Note: Do not overtighten the screw.



Step 7

Fit the wedgifixes

Turn the drawer assemblies over and slide 2 wedgifixes **E** into the front and back grooves, as shown, and tighten up the screws.



Assembly Instructions

Step 8

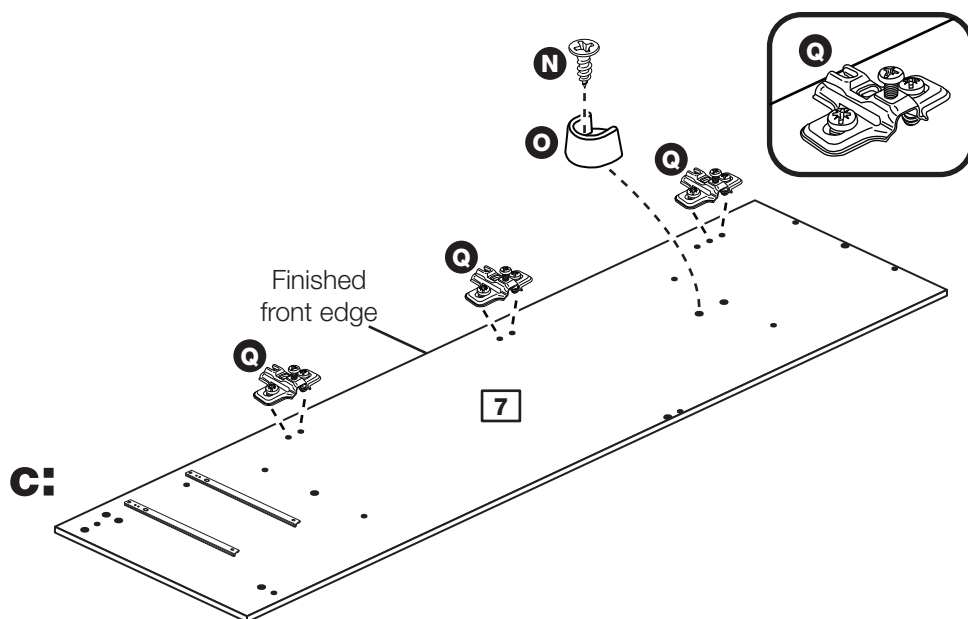
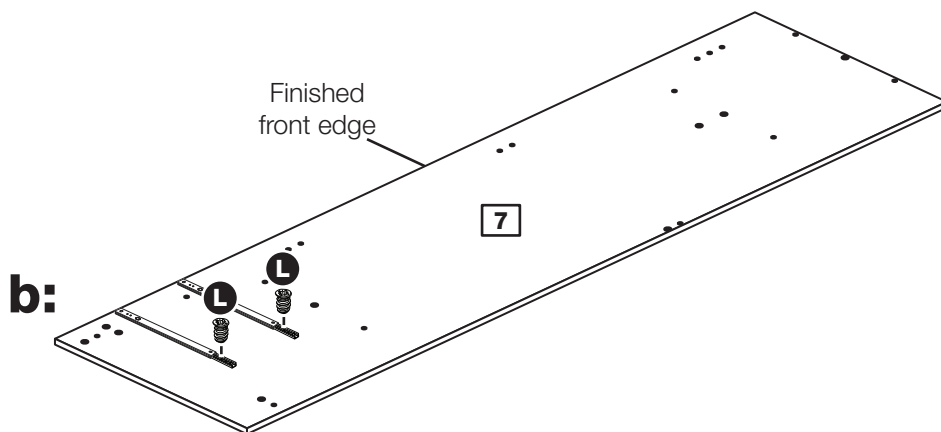
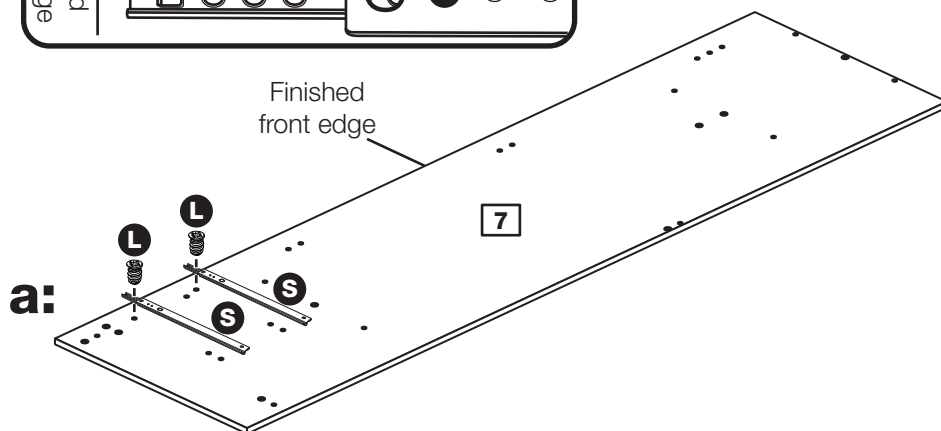
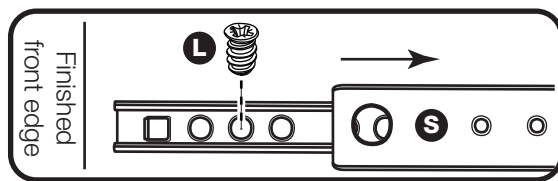
Prepare the left side

a: Place 2 runners **S** on the left side **7** as shown. Slide back the top of runner and use the 2nd hole from the front to fit the 1st screw **L**.

b: Slide the runner **S** back the other way and fit the 2nd screw **L** into the corresponding hole in the left side **7**.

c: Fit 3 hinge plates **Q** onto the left side **7** making sure that the slot is facing towards the finished front edge.

Push a rail holder **O** into the left side **7**. Make sure that it is fitted straight, in line with the panel edges and then secure with screw **N**.



Assembly Instructions

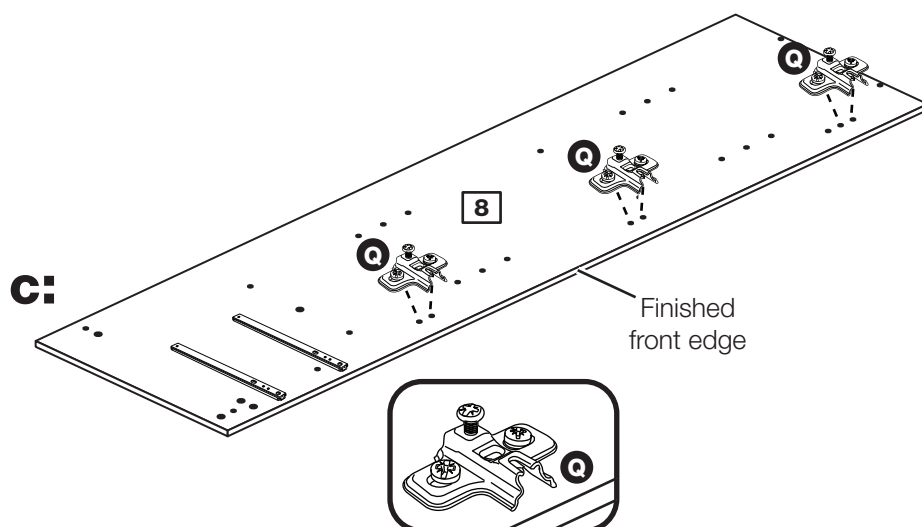
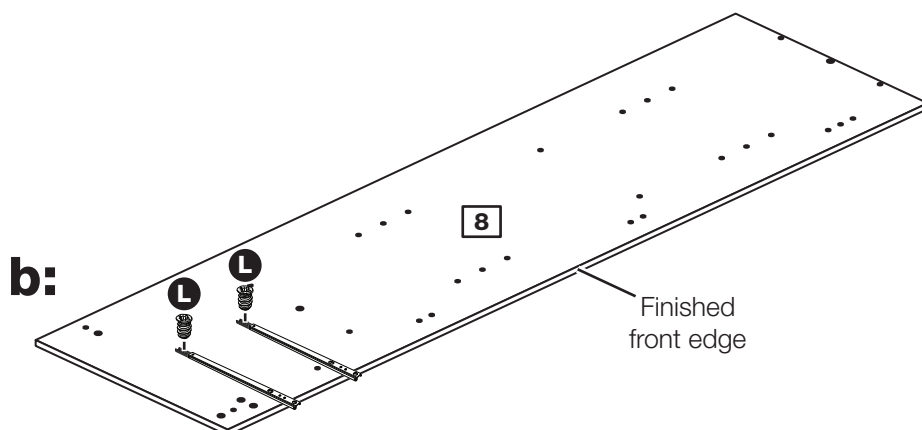
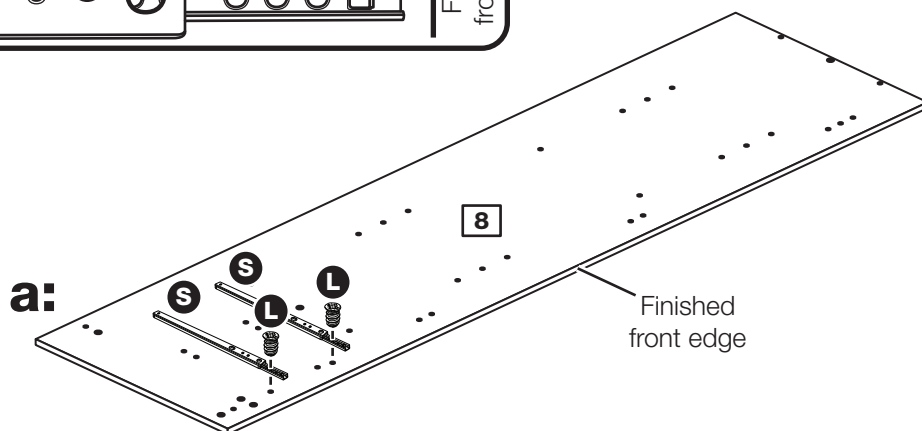
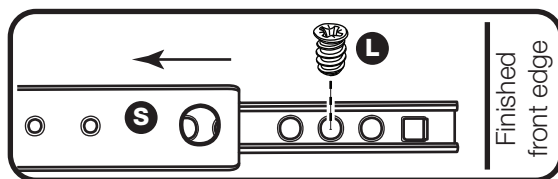
Step 9

Prepare the right side

a: Place 2 runners **S** on the right side **8** as shown. Slide back the top of runner and use the 2nd hole from the front to fit the 1st screw **L**.

b: Slide the runner **S** back the other way and fit the 2nd screw **L** into the corresponding hole in the right side **8**.

c: Fit 3 hinge plates **Q** onto the right side **8** making sure that the slot is facing towards the finished front edge.



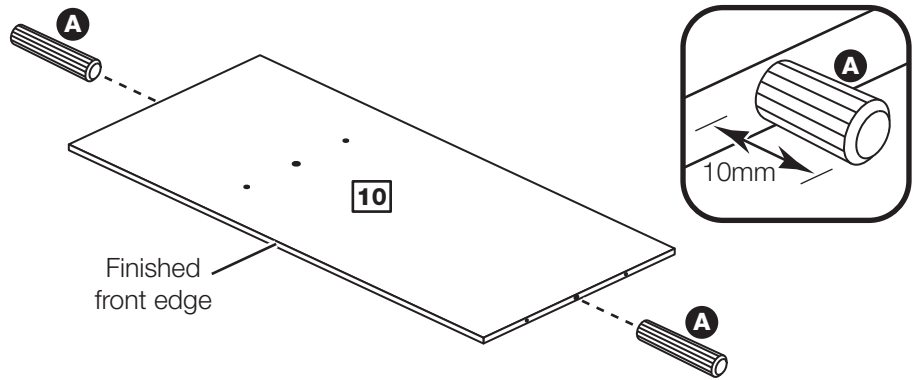
Assembly Instructions

Step 10

Prepare the top

Tap 2 wooden dowels **A** into the top **10**.

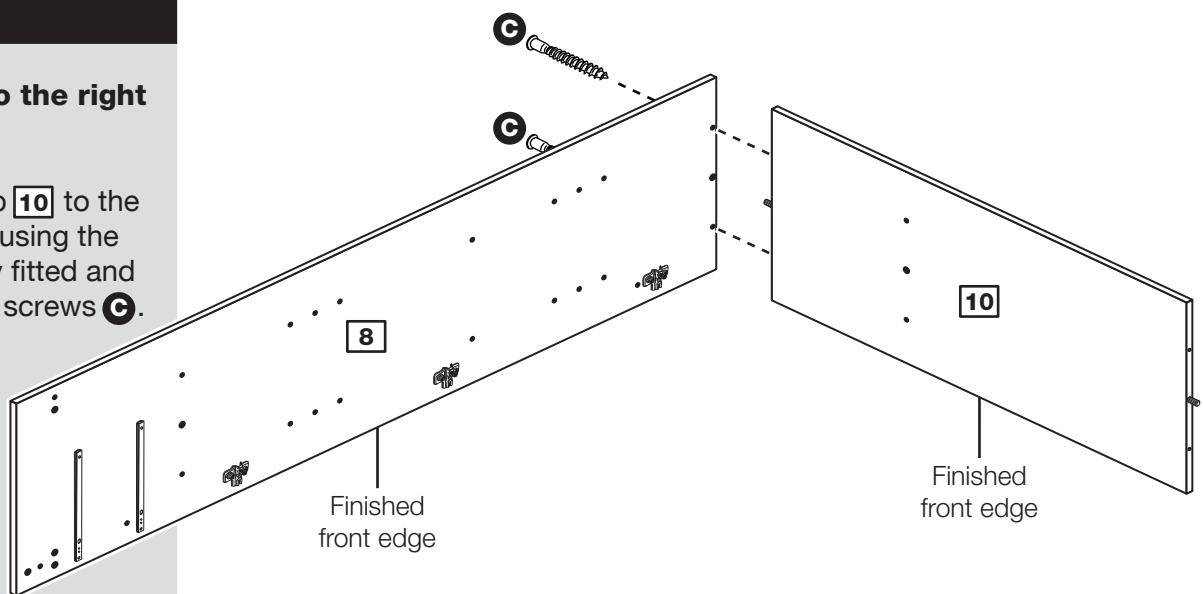
Note: Wooden dowels **must not** stick out from the edge by more than 10mm or they may damage other panels.



Step 11

Fit the top to the right side

Attach the top **10** to the right side **8** using the dowel already fitted and secure with 2 screws **C**.



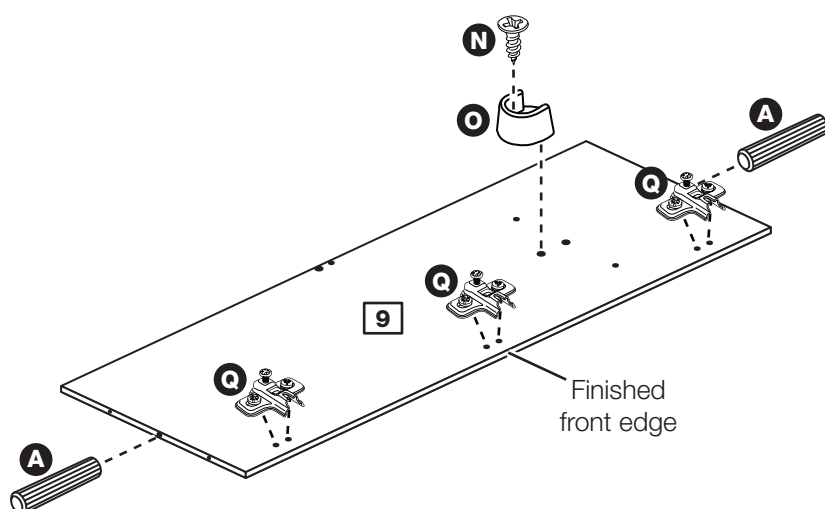
Step 12

Prepare the upright

Fit 3 hinge plates **Q** into the holes shown on the upright **9** making sure that the slot is facing towards the finished front edge.

Push a rail holder **O** into the upright **9**. Make sure that it is fitted straight, in line with the panel edges and then secure with screw **N**.

Tap 2 wooden dowels **A** into the upright **9**.

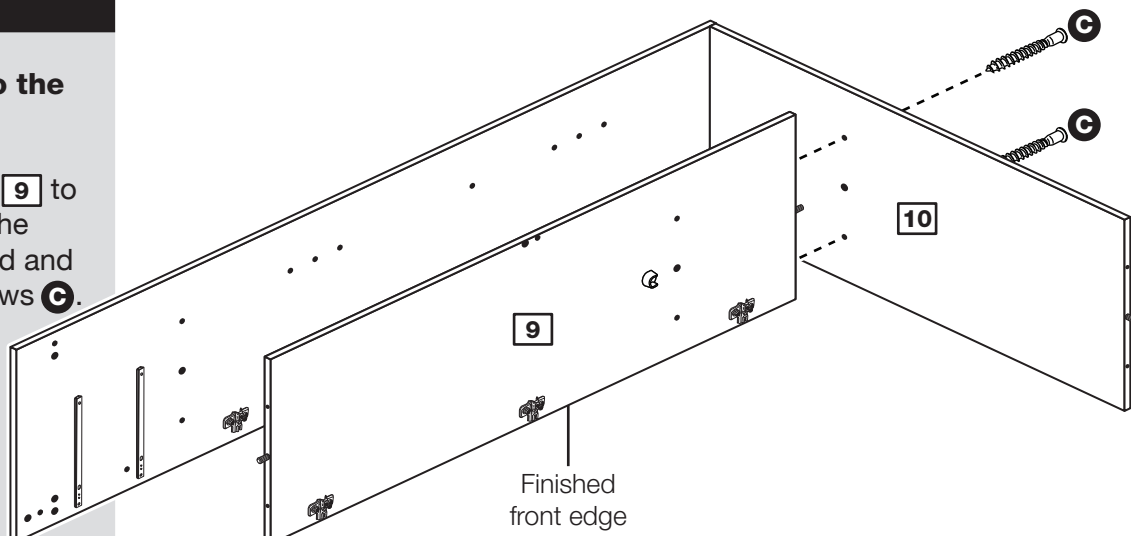


Assembly Instructions

Step 13

Fit the upright to the top

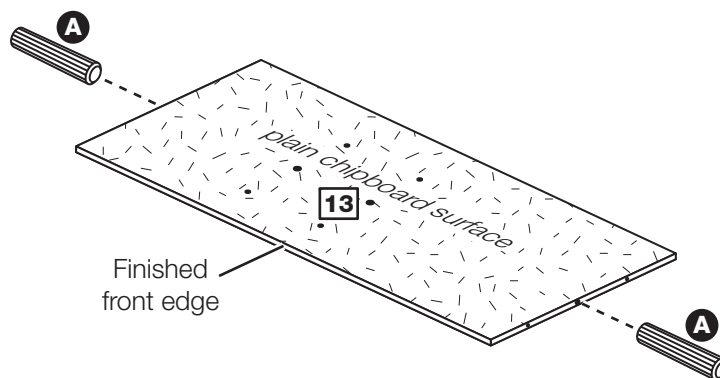
Attach the upright **9** to the top **10** using the dowel already fitted and secure with 2 screws **C**.



Step 14

Prepare the base

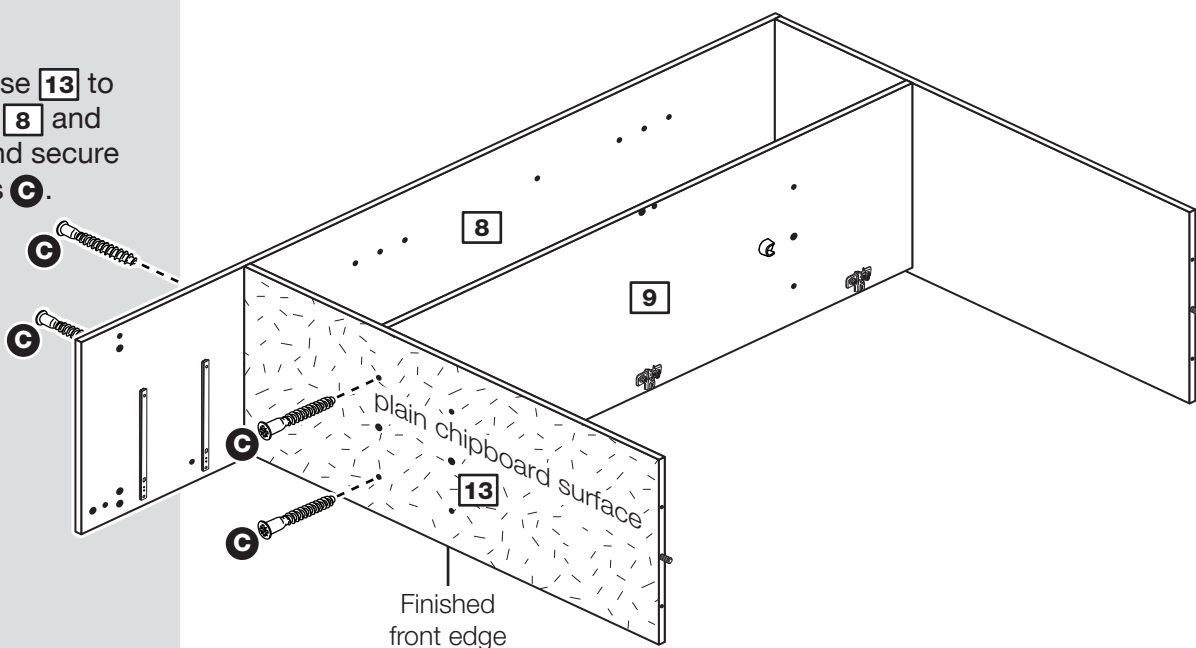
Tap 2 wooden dowels **A** into the base **13**.



Step 15

Fit the base

Attach the base **13** to the right side **8** and upright **9** and secure with 4 screws **C**.

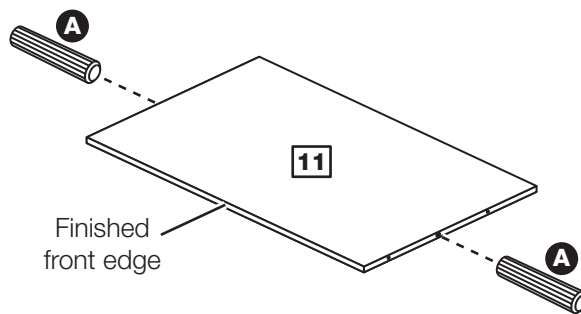


Assembly Instructions

Step 16

Prepare the horizontal

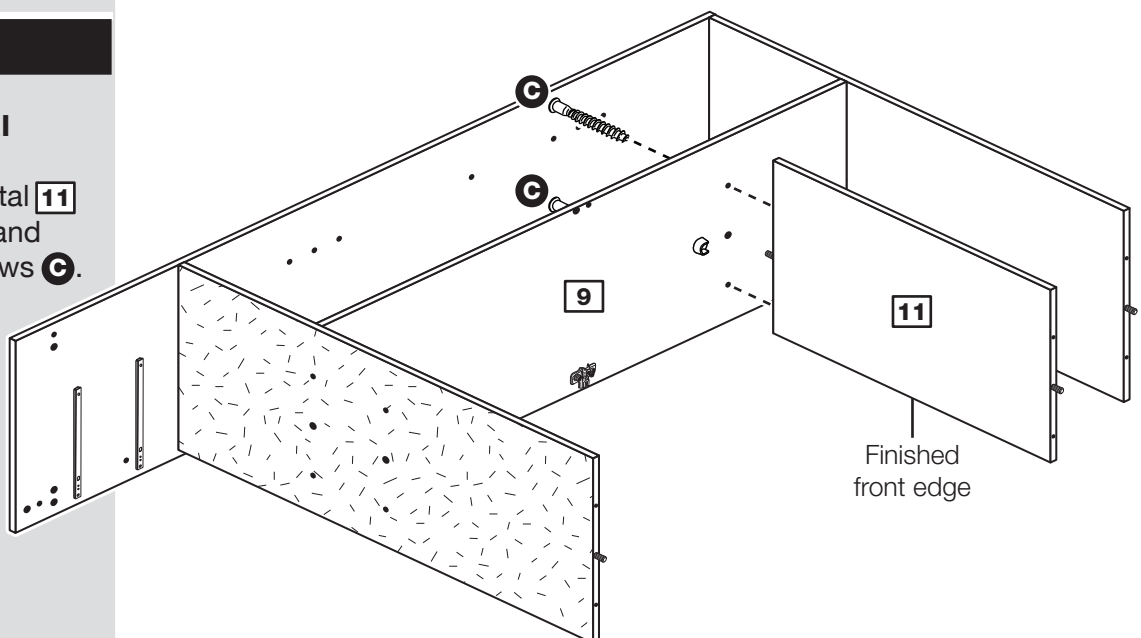
Tap 2 wooden dowels **A** into the horizontal **11**.



Step 17

Fit the horizontal

Attach the horizontal **11** to the upright **9** and secure with 2 screws **C**.



Assembly Instructions

Step 18

Prepare the divider

a: Place 2 runners **S** on the divider **12** as shown. Slide back the top of runner and use the 2nd hole from the front to fit the 1st screw **L**.

b: Slide the runner **S** back the other way and fit the 2nd screw **L** into the corresponding hole in the divider **12**.

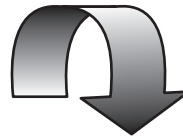
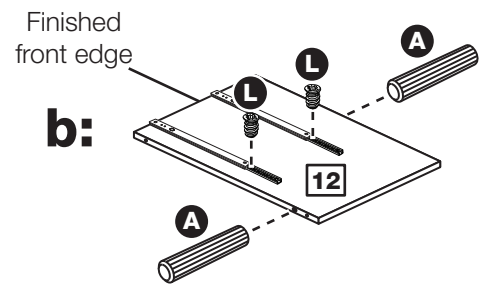
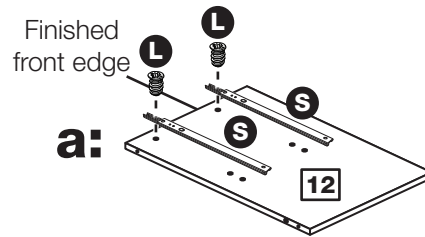
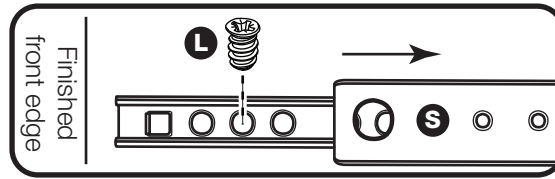
Tap 2 wooden dowels **A** into the divider **12**.

Turn the divider over

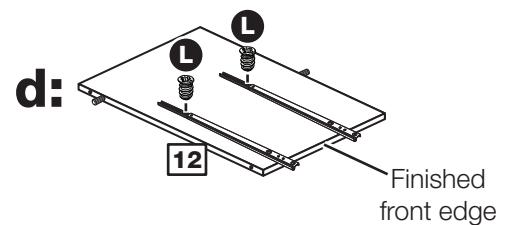
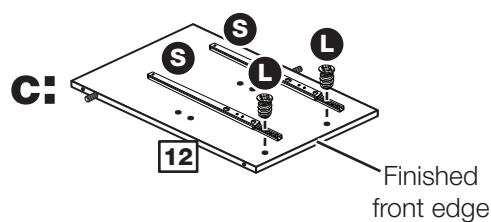
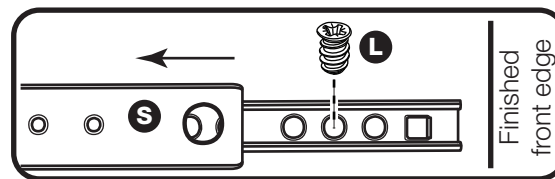
c: Place 2 runners **S** on the divider **12** as shown. Slide back the top of runner and use the 2nd hole from the front to fit the 1st screw **L**.

d: Slide the runner **S** back the other way and fit the 2nd screw **L** into the corresponding hole in the divider **12**.

Note: The colour of the divider may differ from the main unit colour or may be plain chipboard.



Turn the divider over

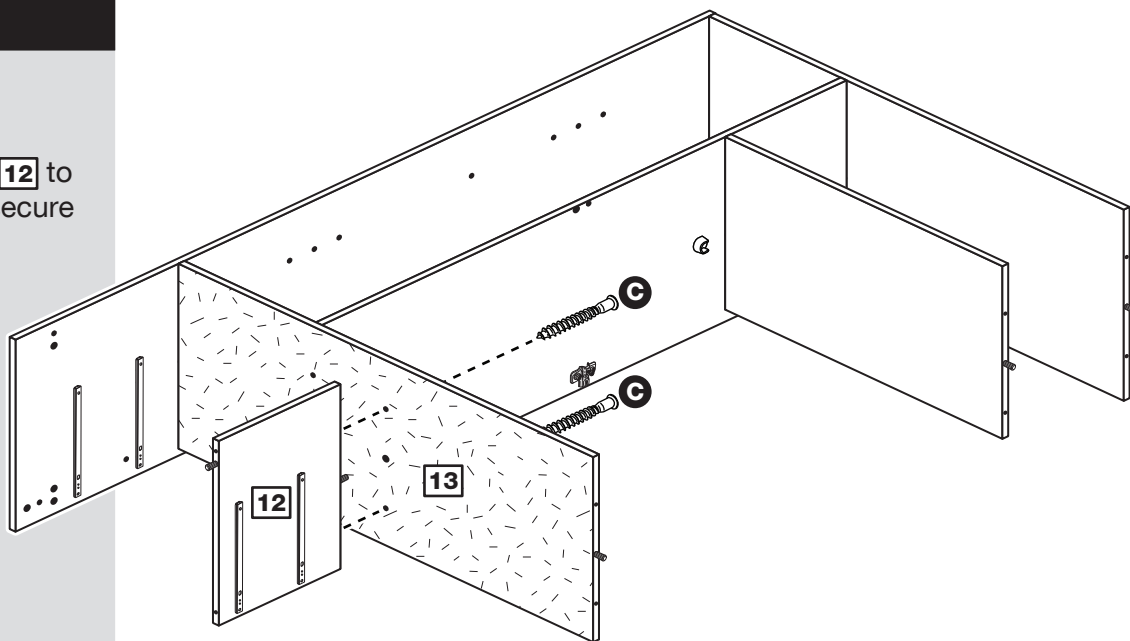


Assembly Instructions

Step 19

Fit the divider

Attach the divider **12** to the base **13** and secure with 2 screws **C**.



Step 20

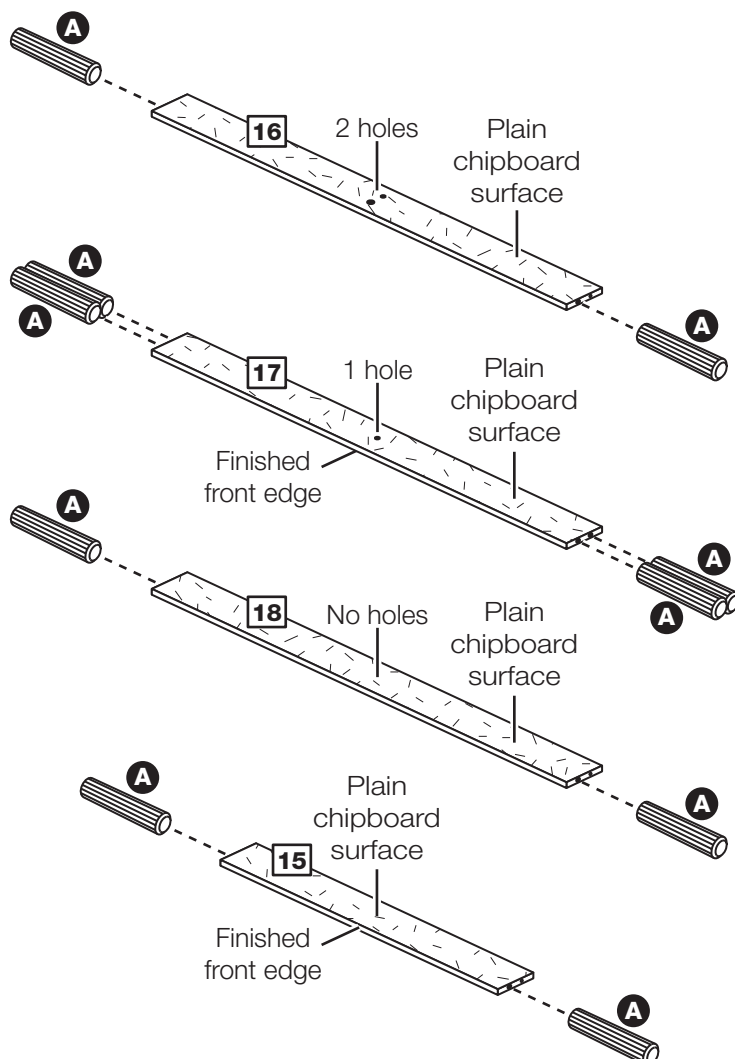
Prepare the base rail, rail, plinth and back rail

Tap 2 wooden dowels **A** into the base rail **16**.

Tap 4 wooden dowels **A** into the rail **17**.

Tap 2 wooden dowels **A** into the plinth **18**.

Tap 2 wooden dowels **A** into the back rail **15**.



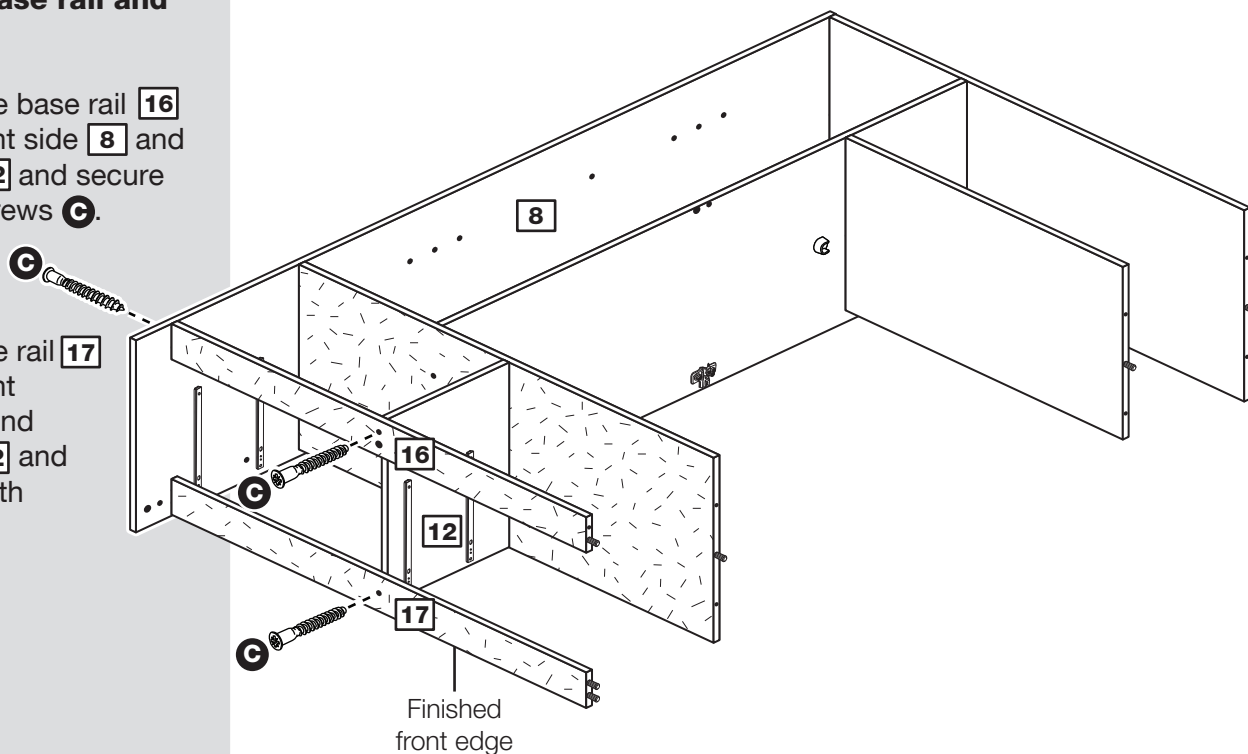
Assembly Instructions

Step 21

Fit the base rail and rail

Attach the base rail **16** to the right side **8** and divider **12** and secure with 2 screws **C**.

Attach the rail **17** to the right side **8** and divider **12** and secure with screw **C**.

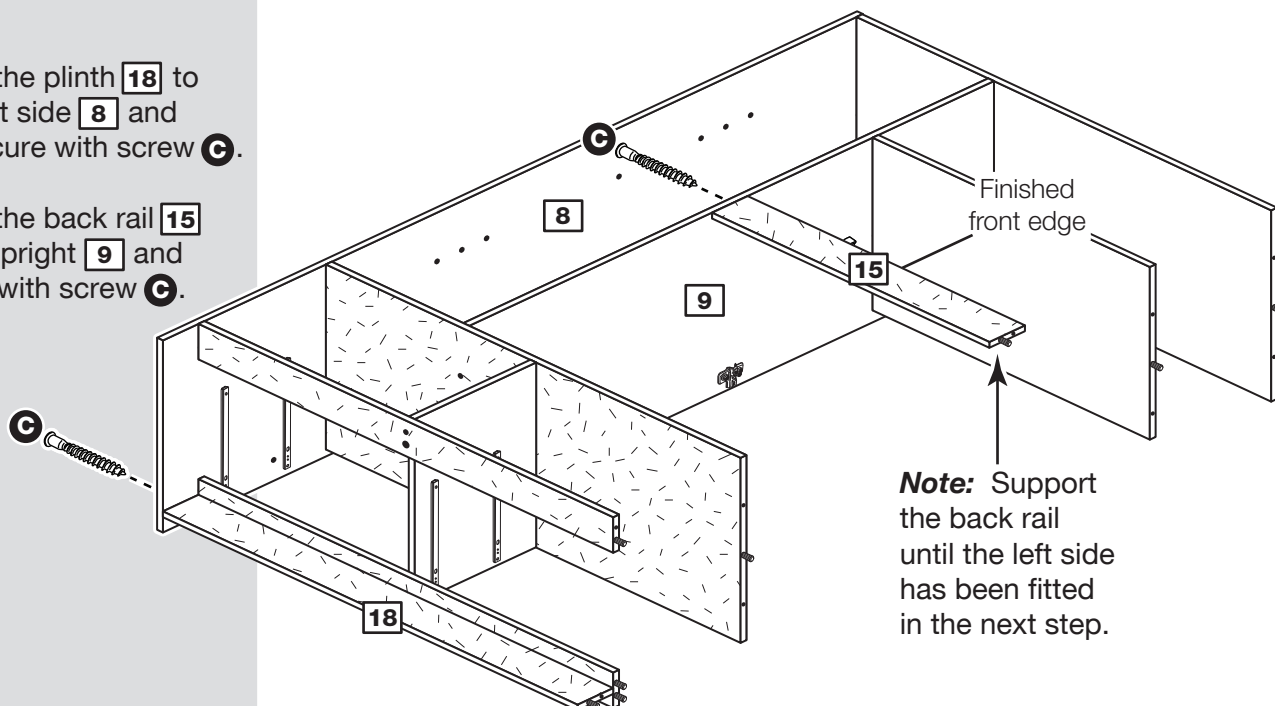


Step 22

Fit the plinth and back rail

Attach the plinth **18** to the right side **8** and secure with screw **C**.

Attach the back rail **15** to the upright **9** and secure with screw **C**.



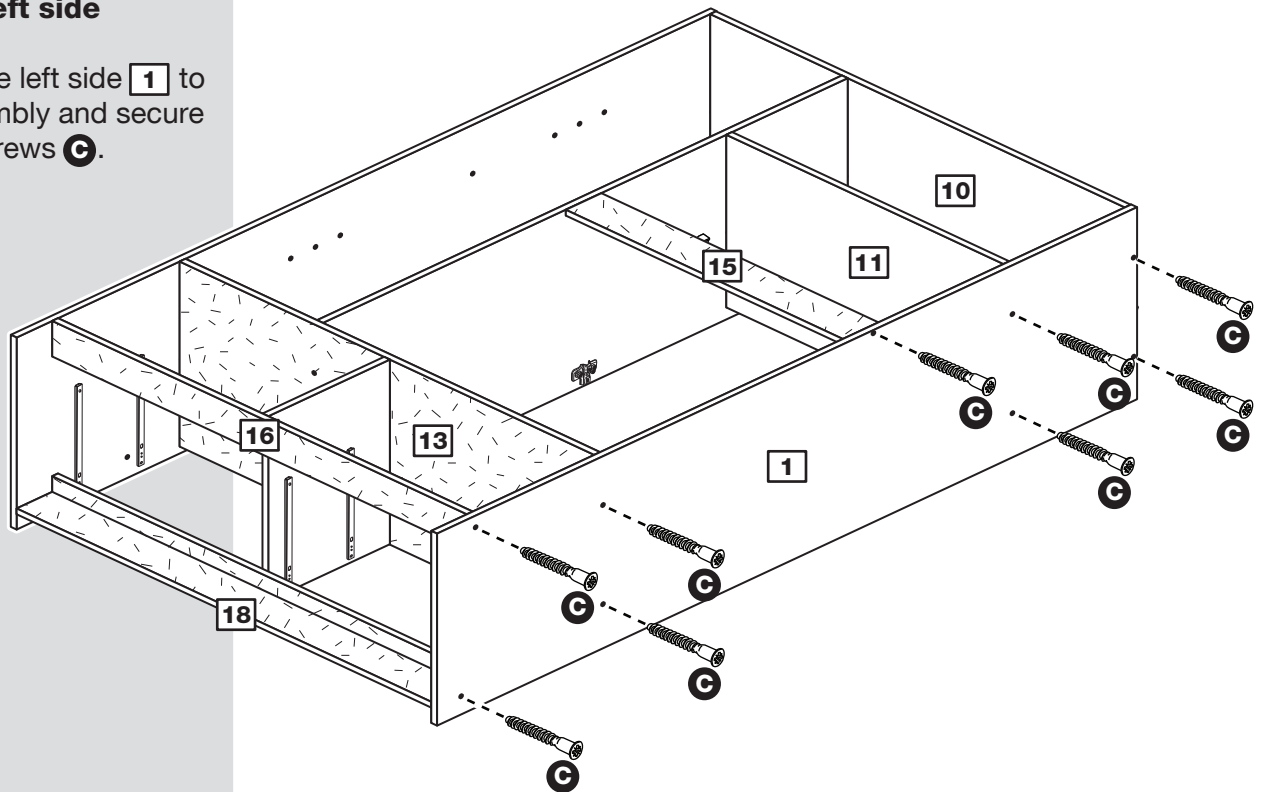
Note: Support the back rail until the left side has been fitted in the next step.

Assembly Instructions

Step 23

Fit the left side

Attach the left side **1** to the assembly and secure with 9 screws **C**.



Assembly Instructions

Step 24

Fit the back panel

a: Square up the unit by making sure that measurement **x** to **x** equals **y** to **y**.

Place the small back **21** and large back **22** down onto the unit as shown, with the white surface facing the inside of the unit.

Make sure that the 2 backs are pushed up tight against each other and that they meet in the centre of the upright panel's edge.

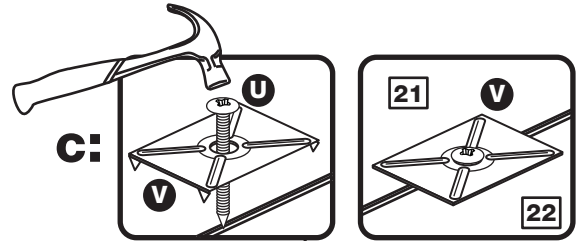
b: Nail **D** around the outside edges only of the 2 back panels **21** and **22**.

c: Push the nail screws **U** through the back holders **V** and tap them down between the small back **21** and the large back **22** and into the back edge of the divider.

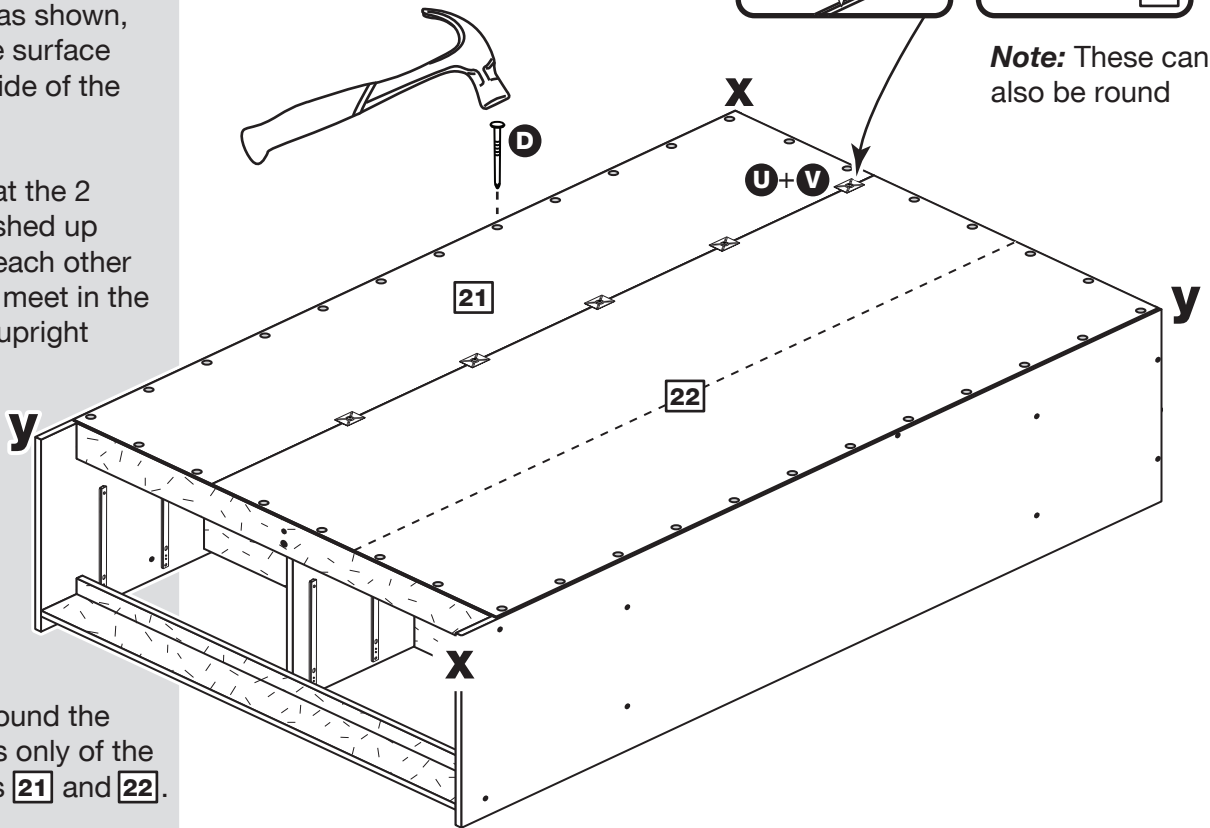
Keep tapping the nail screws **U** in until the back holders **V** dig into the small and large back.

a: The measurement from top corner X to bottom corner X must be equal to the measurement from top corner Y to bottom corner Y

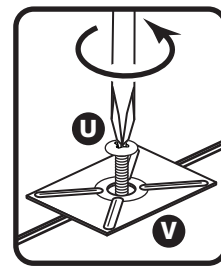
b:
Note: Nails should be spaced about 150mm apart.



Note: These can also be round



Note: If ever you need to take the backs off to dismantle the unit, the nail screws can be taken out using a screwdriver.



Assembly Instructions

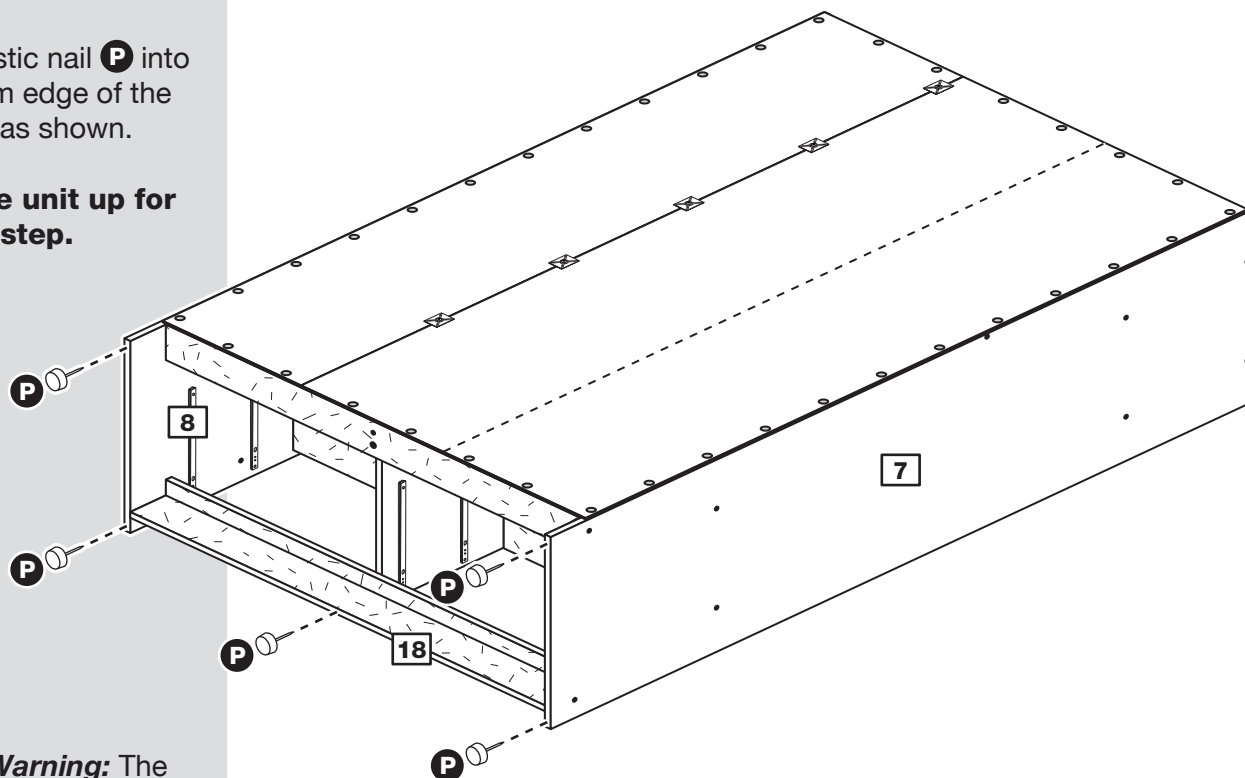
Step 25

Fit the 4 plastic nails

Tap 2 plastic nails **P** into the bottom edge of each side **7** and **8** as shown.

Tap 1 plastic nail **P** into the bottom edge of the plinth **18** as shown.

Stand the unit up for the next step.



Warning: The robe is heavy. Lift with care.

Assembly Instructions

Step 26

Fit the hanging rail and drawers

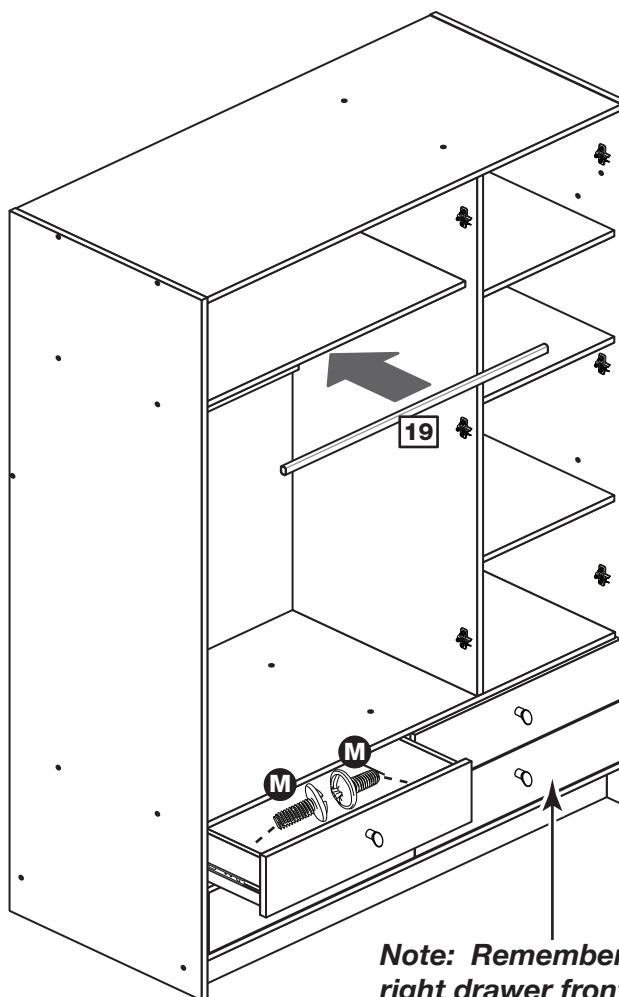
a: Push the hanging rail **19** into the rail holders **o** on the side panels.

b: Starting with the bottom drawer, slide both the runners **S** forward and locate the drawer sides **3** and **4** between them, lining up the holes in the drawer wrap with the 2nd 'threaded' holes in the runners **S**.

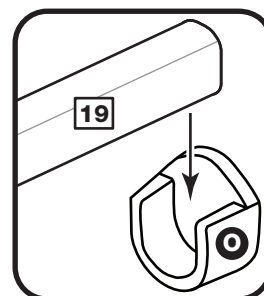
Working from the inside of the drawer, insert 2 screws **M** through the drawer sides and out into the 2nd threaded hole in the runner.

Note: Do not overtighten the screws.

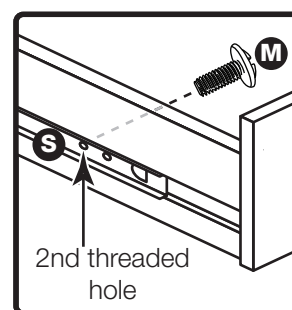
If they catch on the runner you may need to loosen them slightly.



a:



b:



Note: Remember the right drawer fronts have identification marks - refer back to step 1.

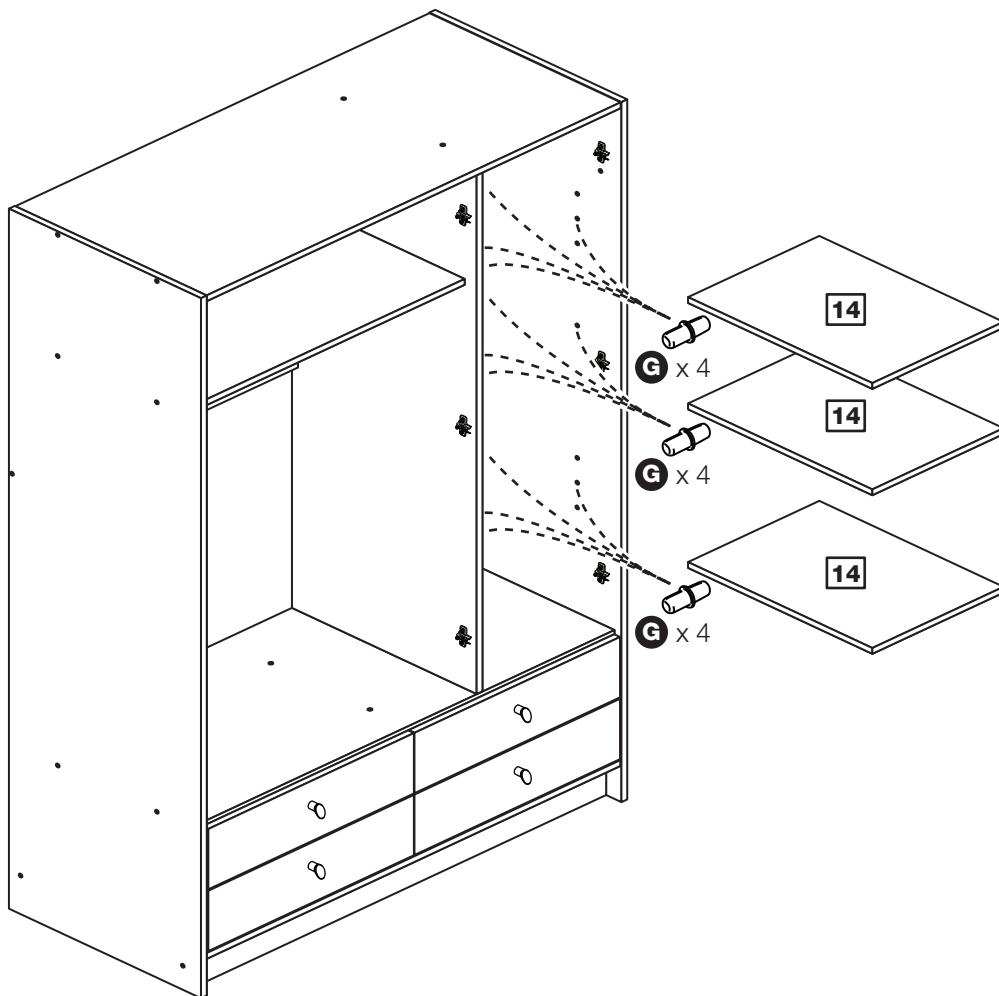
Assembly Instructions

Step 27

Fit the 3 loose shelves

Insert 4 shelf studs **G** for each of the shelves.

Slide in the 3 loose shelves **14**, placing them on top of the shelf studs **G**.



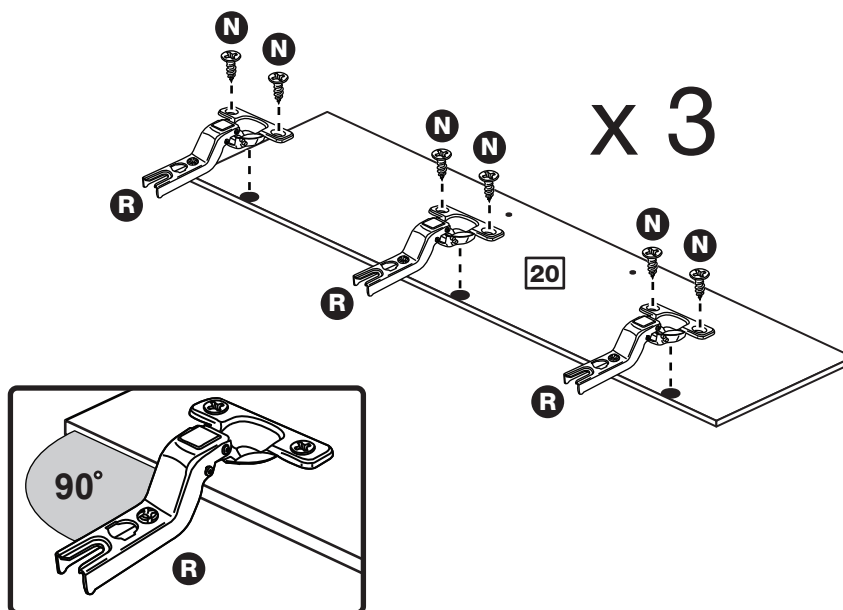
Step 28

Prepare the 3 doors

Push fit 3 hinges **R** into each of the 3 doors **20**.

Secure each hinge with 2 screws **N**.

Note: Before securing with the screws, make sure that the hinges are positioned at 90 degrees with the edge of the door.



Assembly Instructions

Step 29

Drill a handle hole in small door

Important: Please follow these instructions carefully.

Lay the 3 doors **20** down onto a smooth surface.

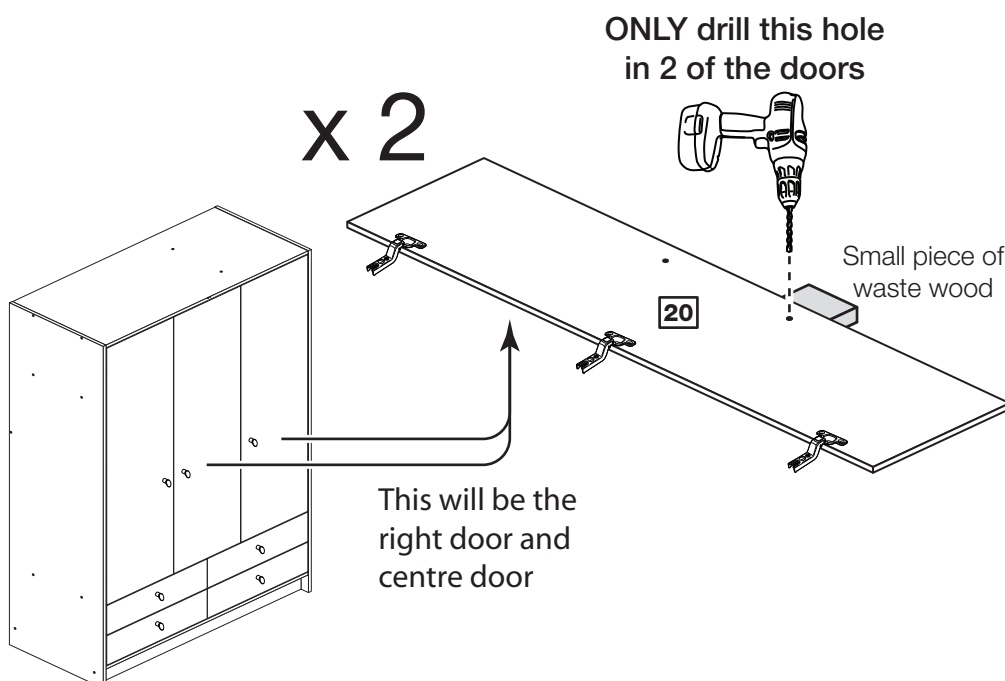
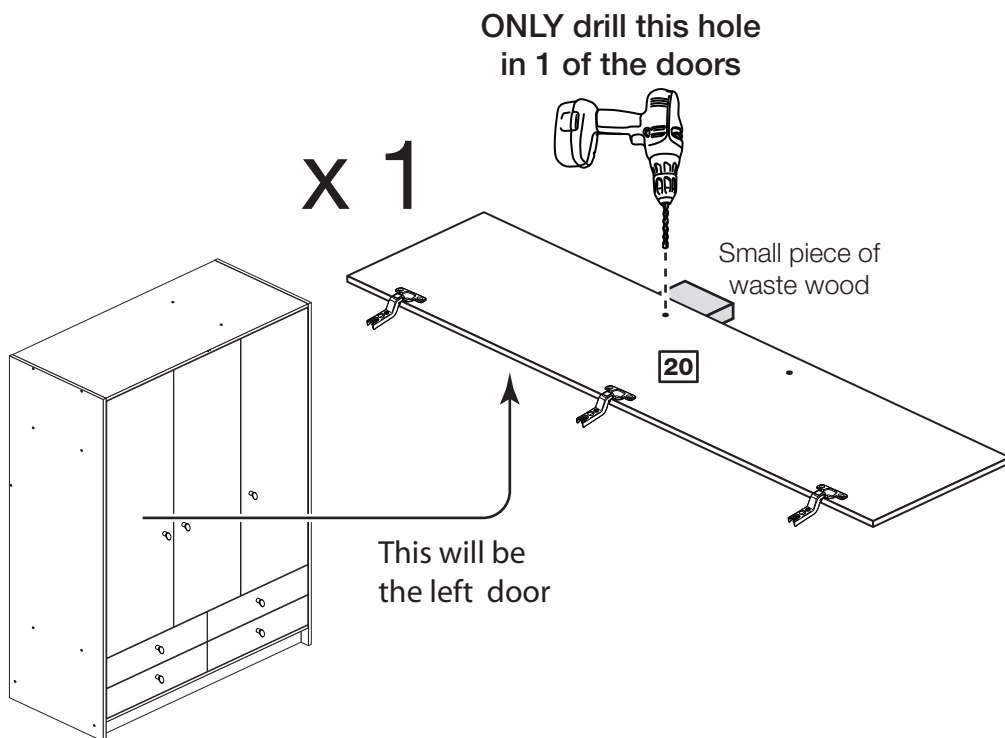
Check that the hinges and holes are in the same place as the diagrams.

Note: We recommend the use of a small piece of waste wood, placed behind the hole while drilling, to reduce the possibility of any breakout.

Using the pilot hole in the rear face of the door, drill through the hole indicated opposite, using a 2.5mm diameter drill.

Turn the door over and open out the 2.5mm hole that you have just drilled by drilling back through it with a 5mm drill.

IMPORTANT
Carefully choose which hole you need to drill in each door



Assembly Instructions

Step 30

Fit doors and handles

Note: The easiest way to attach each door **20** is to fit the top hinge first, then align and fit the other hinges.

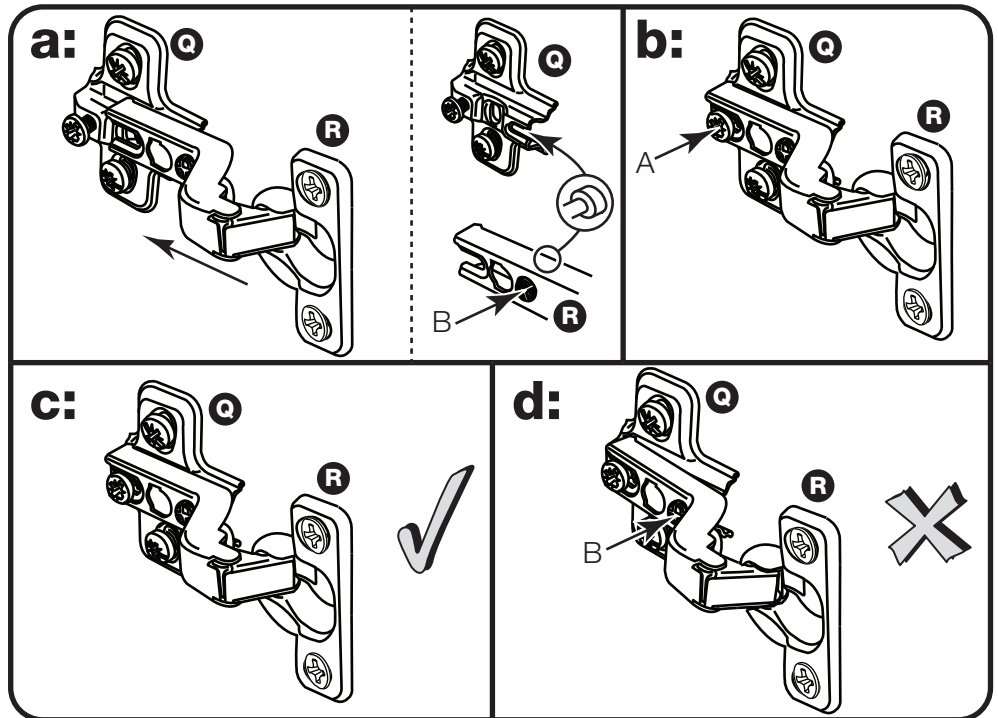
a: Push the hinge **R** onto the front part of the hinge plate **Q**. The recess at the bottom of screw B goes into the slot in the hinge plate.

b: Keep the hinge **R** FLAT against the hinge plate **Q** as you slide it across as far as it will go. Tighten screw A.

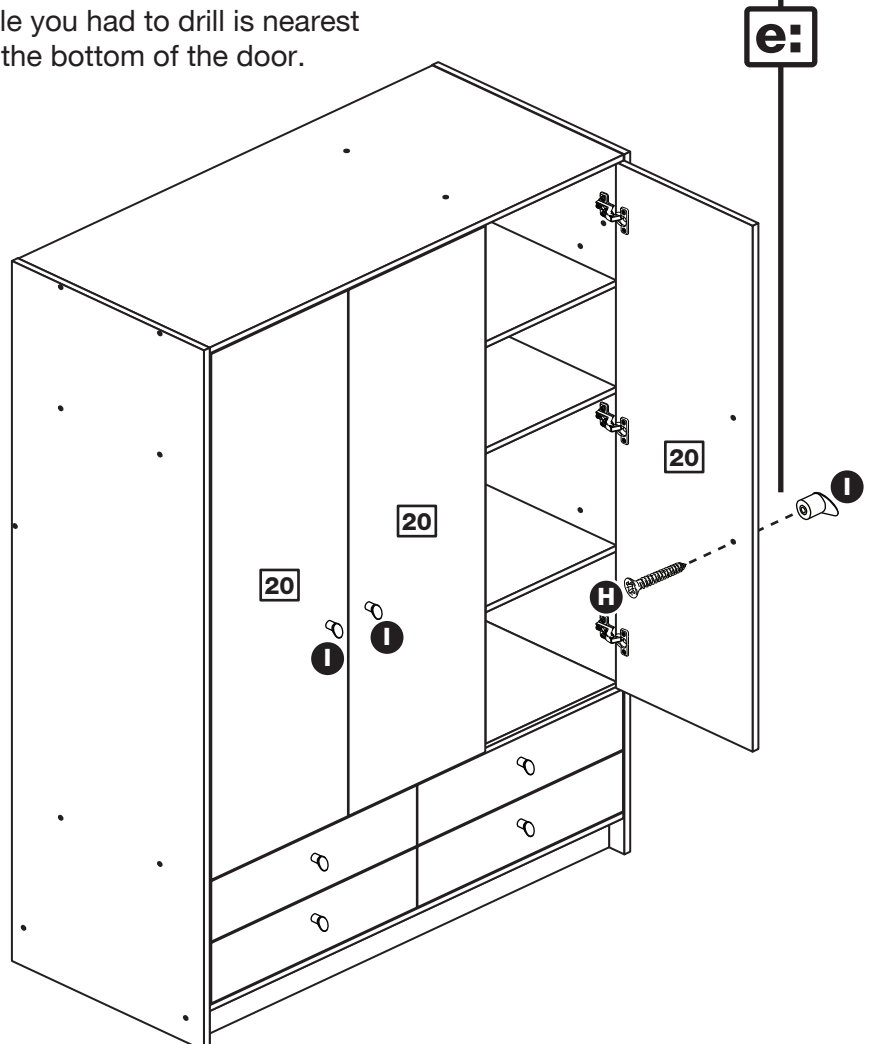
c: The hinge **R** must be flat against the hinge plate **Q** prior to any adjustment.

d: The hinge **R** must NOT be AT AN ANGLE to the hinge plate **Q** when assembled. This would indicate that the recess at the bottom of screw B had not located in the slot in the hinge plate and the hinge would not be secure. Remove the hinge from the hinge plate and then re-assemble being careful to follow instructions a-c.

e: Attach a handle **I** to each of the 3 doors **20** using screws **H**.



Note: When fitting the doors, make sure that the handle hole you had to drill is nearest to the bottom of the door.



Assembly Instructions

Step 31

Adjust the doors if needed

a: Before adjusting the doors, use a spirit level to check the base (or top) of the unit is level, front-to-back and side-to-side in the 3 positions shown. Use suitable packing pieces (not supplied) to make the unit level BEFORE making any adjustment to the hinges, as shown.

b: Height adjustment.

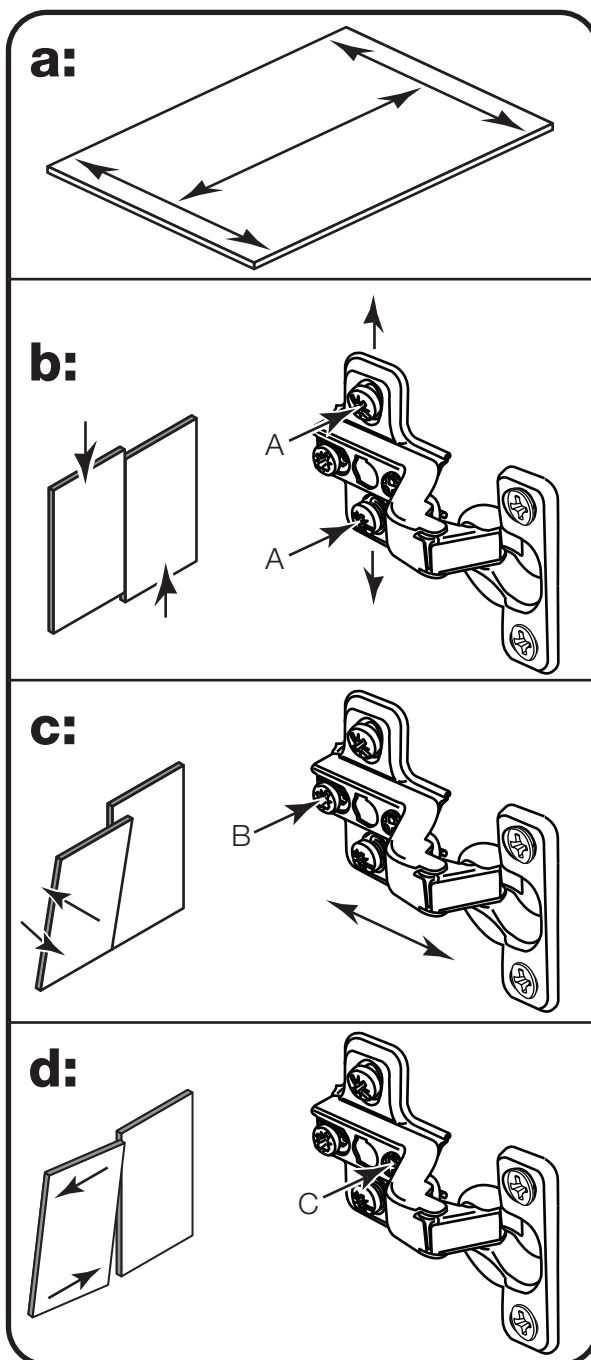
Loosen screws A on hinge plates and move door up or down as required. Retighten screw A.

c: Forward and Back adjustment.

Loosen screw B on hinge plate and move door in or out as required. Retighten screw B.

d: Sideways adjustment.

To move door 'out' loosen screw C. To move door 'in' tighten screw C.



Assembly Instructions

Step 32

Joining units together

Fittings have been supplied so you are able to join units together.

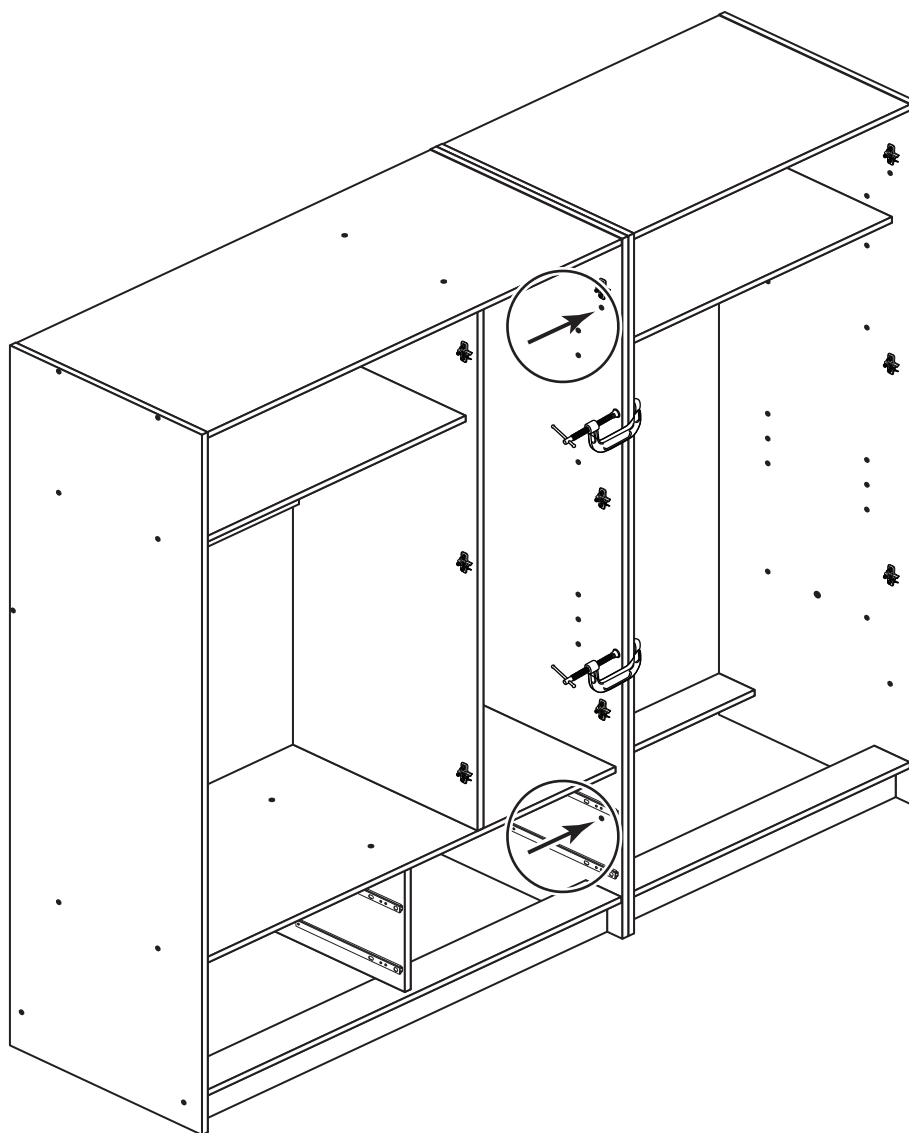
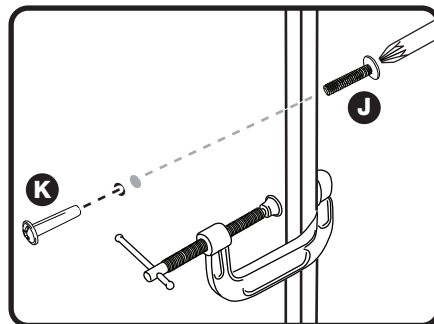
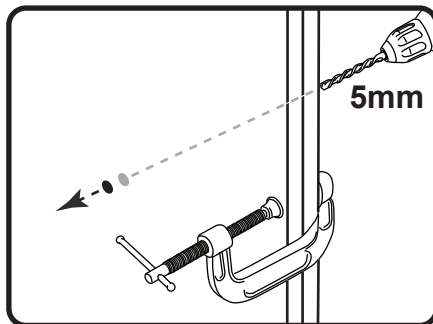
Make sure that your first unit is level.

Push the other unit up against the first unit and ensure both units are level.

Check that the ends are flush and in line, then clamp them together.

Using a 5mm drill bit, drill through the 2 holes (shown circled) in the side panel into the adjoining side panel of the other unit.

Push the connecting sleeves **K** into the holes and then screw the connecting bolts **J** in from the other side.



Assembly Instructions

Step 33

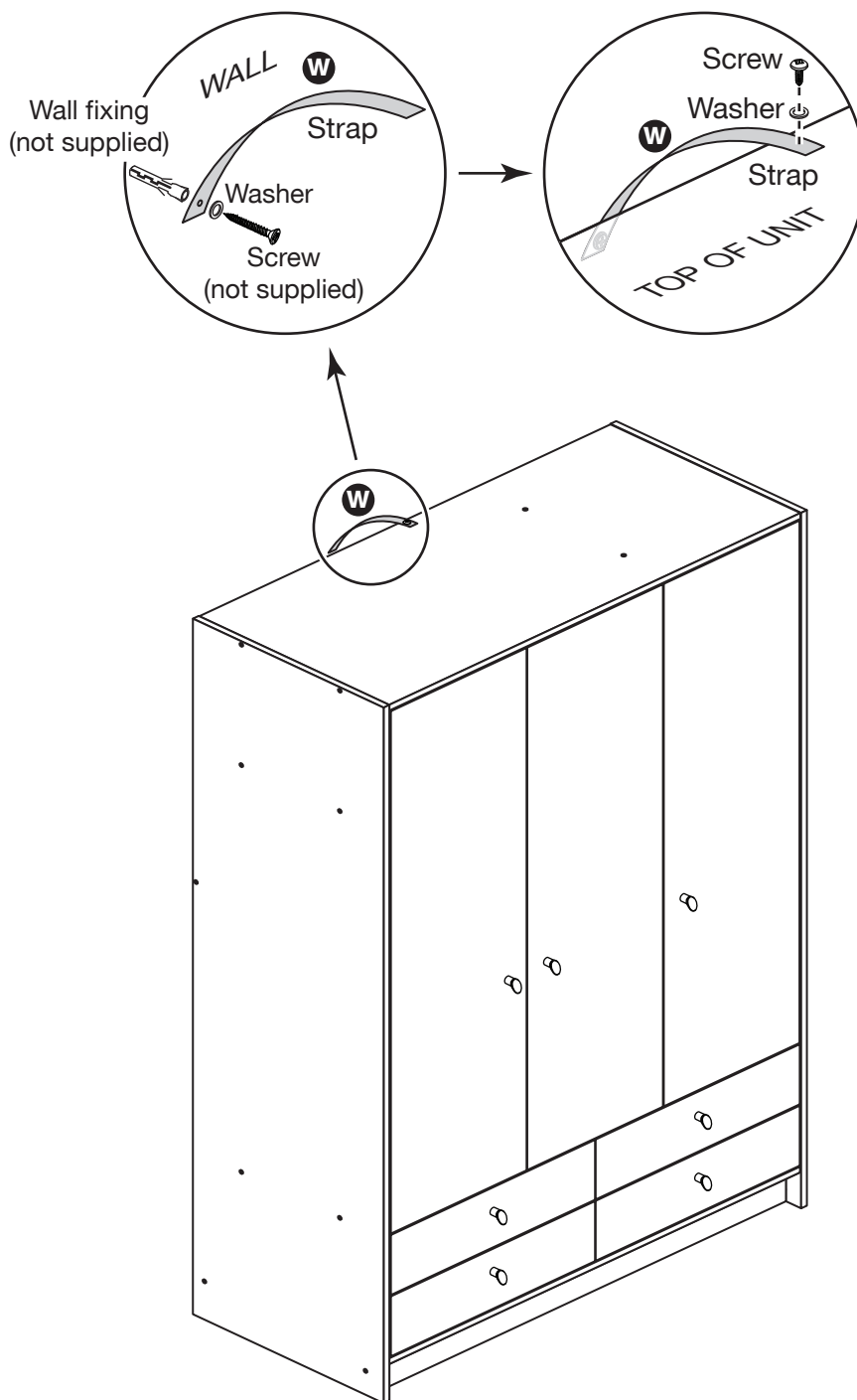
Fit the overbalance protector kit

To prevent possible overbalancing we recommend that this unit is secured to a suitable wall by fitting of the overbalance protector kit **W** to the unit, or an alternative fixing method of your choice.

Wall fixings are not supplied as they will need to suit the wall type.

Note: Take care when drilling the wall that you do not drill into any pipes, wires etc. If in doubt, consult an expert.

Assembly is complete



If you need help or have damaged or missing parts, call the Customer Helpline: 03456 400800 and quote the reference numbers on the component pages.

Argos Ltd, 489-499 Avebury Boulevard, Central Milton Keynes, MK9 2NW

Malibu - 4 Drawer 3 Door Robe

Assembly Instructions - Please keep for future reference

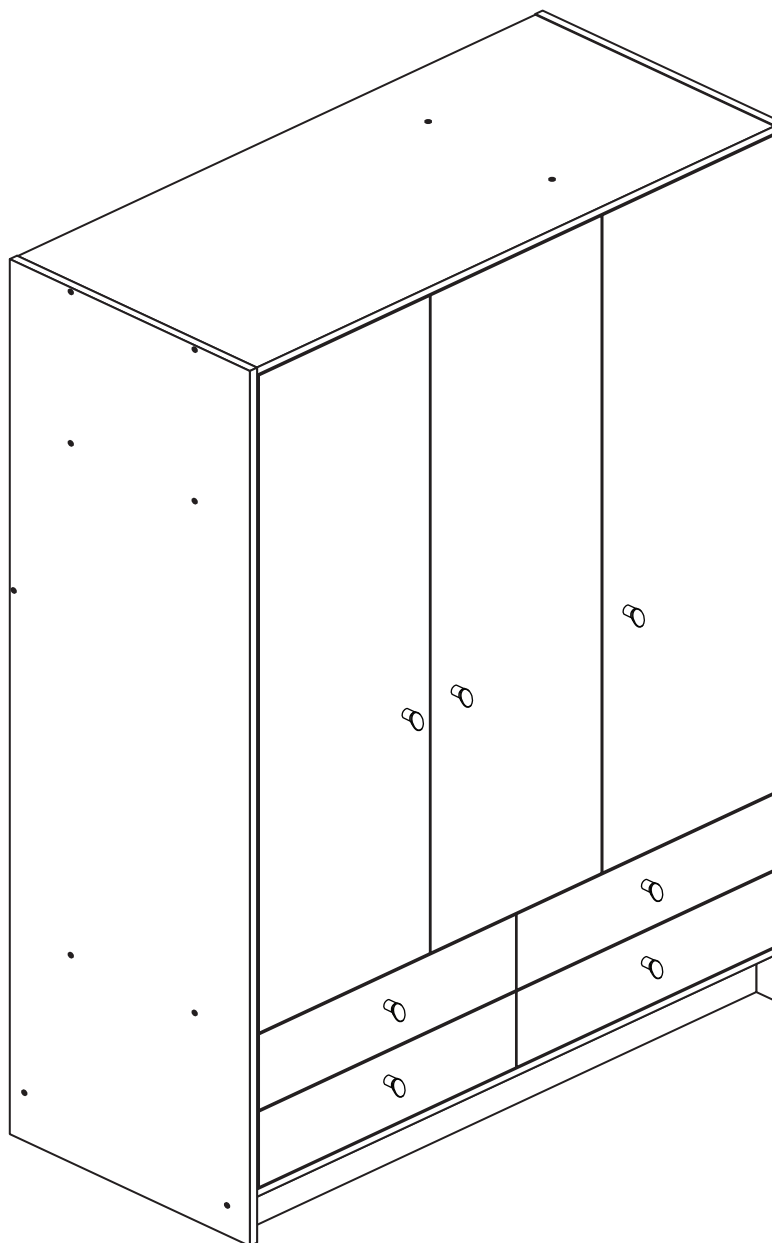
264/1003

248/3326

248/5410

274/5930

259/1689



Dimensions

Width - 110cm

Depth - 50cm

Height - 181cm



**MADE IN
BRITAIN**

Important - Please read these instructions fully before starting assembly

If you need help or have damaged or missing parts, call the **Customer Helpline: 03456 400800**



Safety and Care Advice

Important - Please read these instructions fully before starting assembly

- **Warning:** This unit weighs approximately 79kgs. Please lift with care.
- Check you have all the components and tools listed on pages 2 and 3.
- Remove all fittings from the plastic bags and separate them into their groups.
- Keep children and animals away from the work area, small parts could choke if swallowed.
- Parts of the assembly will be easier with 2 people.

- Make sure you have enough space to layout the parts before starting.
- Do not stand or put weight on the product, this could cause damage.
- Assemble the item as close to its final position (in the same room) as possible.
- Assemble on a soft level surface to avoid damaging the unit or your floor (use opened out unit carton).



• We do not recommend the use of power drill/drivers **for inserting screws**, as this could damage the unit. Only use hand screwdrivers.

- **Safety note:** It is recommended that this unit is secured to a wall using the overbalance protector kit supplied or, an alternative fixing method of your choice.
- Dispose of all packaging carefully and responsibly.

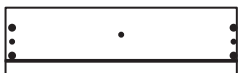
Care and maintenance

- Only clean using a damp cloth and mild detergent, do not use bleach or abrasive cleaners.
- From time to time check that there are no loose screws on this unit.
- This product should not be discarded with household waste. Take to your local authority waste disposal centre.

Components - Panels

If you have damaged or missing components, call the **Customer Helpline: 03456 400800** quoting the reference numbers below

Please check you have all the panels listed below



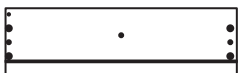
1 Left Drawer Front (D2884A)
(531 x 156mm) x 2



3 Left Drawer Side (W370-124LH)
(370 x 124mm) x 4



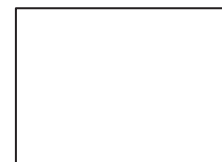
5 Drawer Back (W495-124BCK)
(495 x 124mm) x 4



2 Right Drawer Front (D2885A)
(531 x 156mm) x 2



4 Right Drawer Side (W370-124RH)
(370 x 124mm) x 4

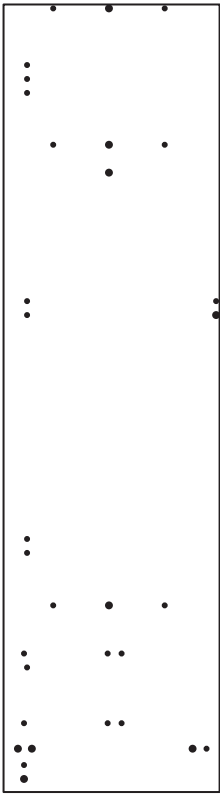


6 Drawer Base (T506-367)
(506 x 367mm) x 4

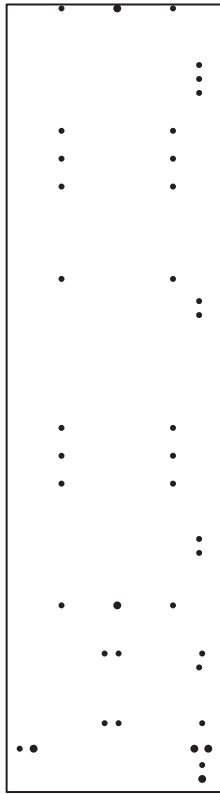
Components - Panels

If you have damaged or missing components, call the **Customer Helpline: 03456 400800** quoting the reference numbers below

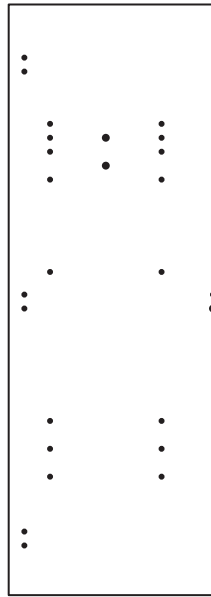
Please check you have all the panels listed below



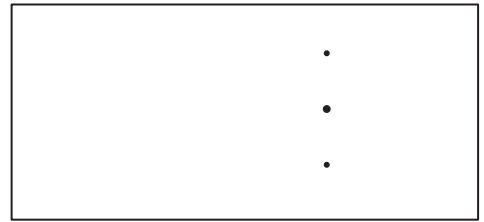
7 Left Side (D2876A)
(1808 x 496mm)



8 Right Side (D2877A)
(1808 x 496mm)



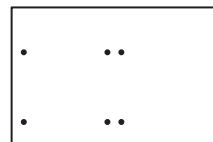
9 Upright (D2878A)
(1356 x 477mm)



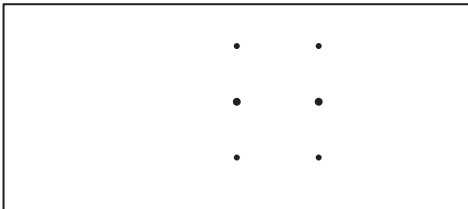
10 Top (D2837A)
(1071 x 494mm)



11 Horizontal (D2880A)
(716 x 446mm)



12 Divider (D2879A)
(314 x 477mm)



13 Base (D2881A)
(1071 x 478mm)



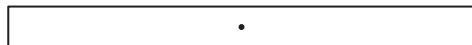
14 Loose Shelf (D2843A)
(339 x 476mm) x 3



15 Back Rail (D2847A)
(716 x 92mm)



16 Base Rail (D2882A)
(1071 x 92mm)



17 Rail (D2883A)
(1071 x 92mm)



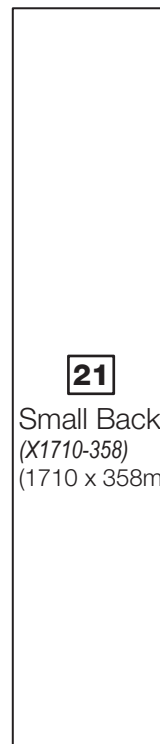
18 Plinth (D2844A)
(1071 x 92mm)



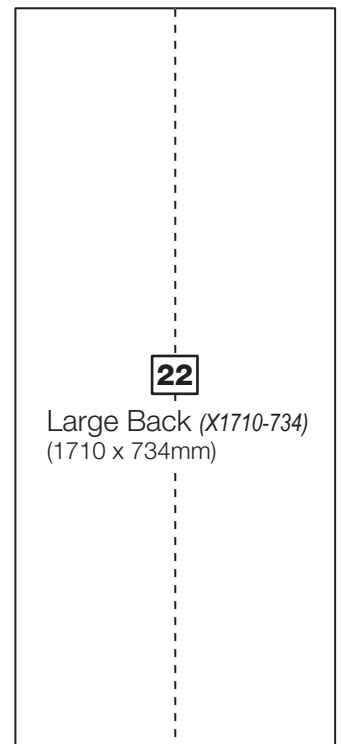
19 Hanging Rail (FHR704)
(704mm long)



20 Door (D2846A)
(1358 x 353mm)
x 3



21 Small Back (X1710-358)
(1710 x 358mm)



22 Large Back (X1710-734)
(1710 x 734mm)


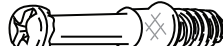

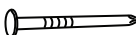






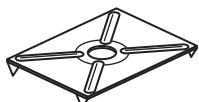




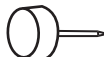

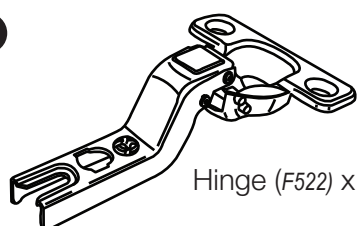


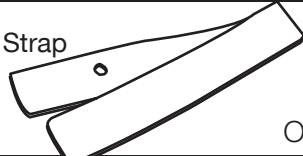




Components - Fittings

If you have damaged or missing components, call the **Customer Helpline: 03456 400800** quoting the reference numbers below

Please check you have all the fittings listed below

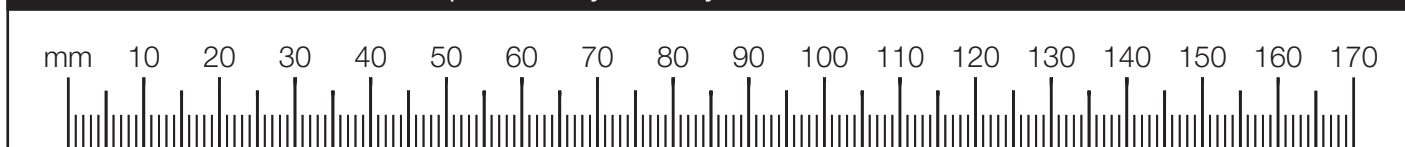
Note: The quantities below are the correct amount to complete the assembly. In some cases more fittings may be supplied than are required.

A  Wooden dowel (F22) x 20	B  Metal dowel (F901) x 8	C  40mm Screw (F910) x 26
D  Nail (F51) x 33	E  Wedgifix (F639) x 8	F  Small locking nut (F3) x 8
G  Shelf stud (F110) x 12	H  25mm Screw (F50) x 7	I  Handle (F631) x 7
J  Nail screw (F277) x 5	K  *These can also be round Back holder (F276) x 5	L  9mm Screw (F73) x 16
M  9mm Screw (F74) x 8	N  13mm Screw (F63) x 20	O  Rail holder (F1014) x 2
P  Plastic Nail (F91) x 5	Q  Hinge plate (F523) x 9	R  Hinge (F522) x 9
S  Drawer runner (F1004) x 8		
T  Knock-in Peg (F1716Y) x 16	U    Strap Screw Washer x 2 Overbalance protector kit (F269) x 1	

Tools required

Rule	Hammer	Cross-head screwdriver
Square	Bradawl	Eye protection (when using a hammer or drill)
Scissors	Electric drill	
Spirit level	Step ladder	

Ruler - Use this ruler to help correctly identify the screws



Assembly Instructions

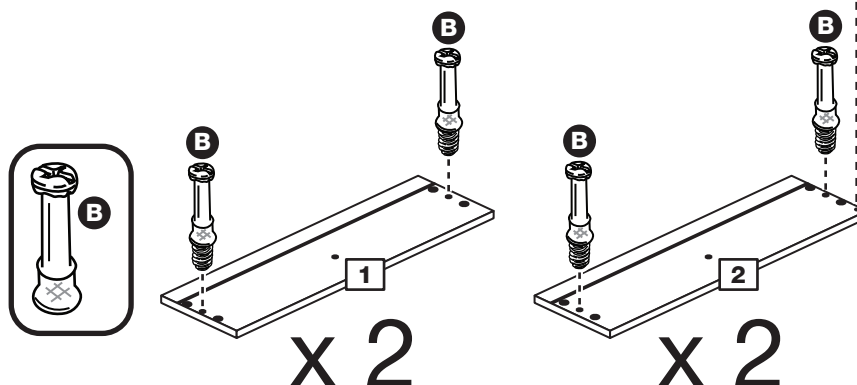
If you have damaged or missing components, call the
Customer Helpline: 03456 400800 quoting the reference
numbers below

Step 1

Prepare the 4 drawer fronts

Screw 2 metal dowels **B** into the 2 left drawer fronts **1** and the 2 right drawer fronts **2**.

Note: Tighten the metal dowels up fully against the panels.



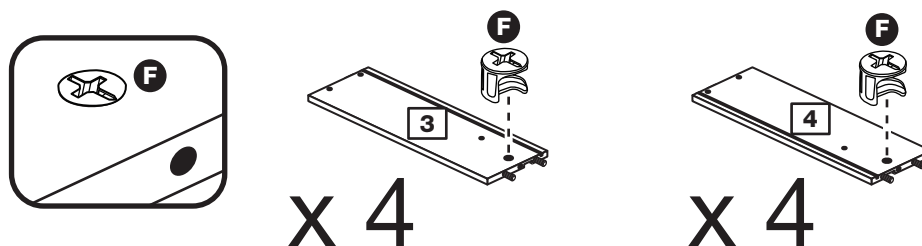
Note: The small right drawer front has a shallow identification mark.

Step 2

Prepare 4 pairs of drawer sides

Insert a small locking nut **F** into the hole shown on the left drawer side **3** and the right drawer side **4**.

Note: The arrow on the locking nut **must** point towards the hole in the edge of the panel.



Note: Due to the manufacturing process, the holes for the locking nut can be on either surface of the drawer sides.

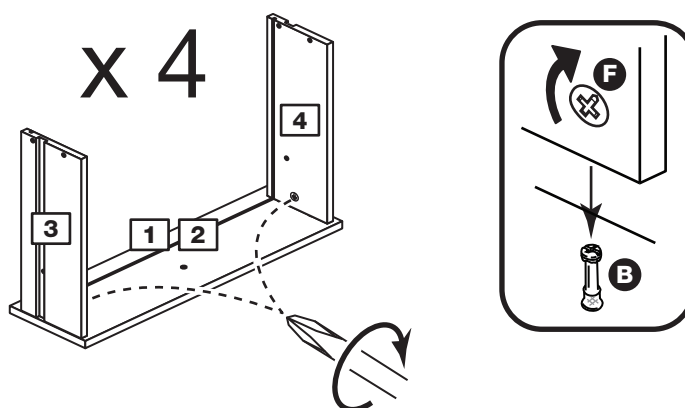
Step 3

Attach the drawer sides to the drawer fronts

Push the left drawer sides **3** and right drawer sides **4** onto the back of the 4 drawer fronts **1** and **2**.

Turn the small locking nuts **F** on the left drawer side **3** and right drawer side **4**.

Note: Turn the locking nuts **F** clockwise to secure panels - more than 1/2 a turn.



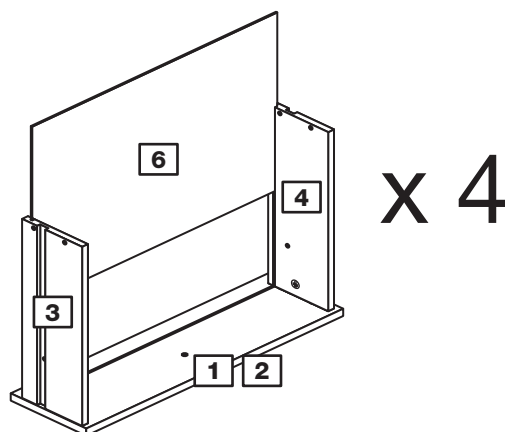
Note: The locking nuts can be on either surface of the drawer sides. Make sure that the small groove is on the inside, as shown.

Assembly Instructions

Step 4

Fit the drawer base

Slide the drawer base **6** down the grooves in the drawer sides **3** and **4** and down into the groove in the drawer fronts **1** and **2**.

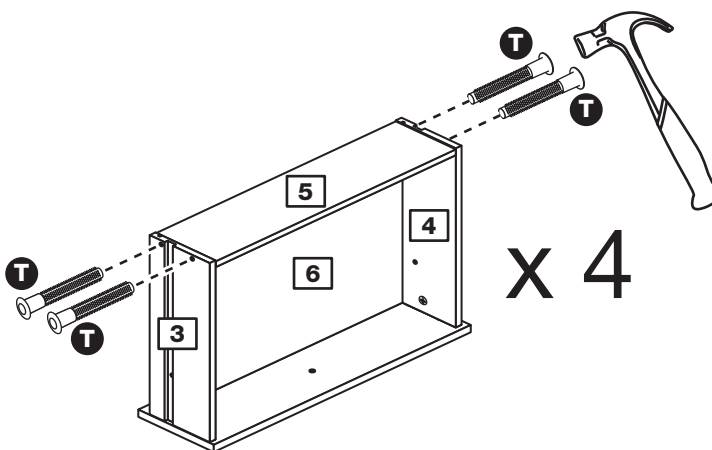


Step 5

Fit the drawer back

Fit the drawer back **5** between the drawer sides **3** and **4**. Make sure that the drawer base **6** fits into the groove in the drawer back **5**.

Hold the drawer back **5** in position and tap the knock-in pegs **T** through the holes in the drawer sides **3** and **4**.

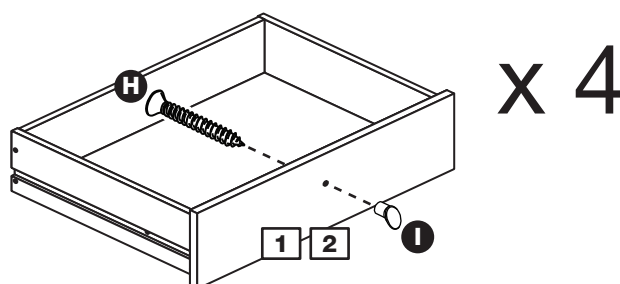


Step 6

Attach the handles

Attach a handle **I** to each of the drawer fronts **1** and **2** using screw **H**.

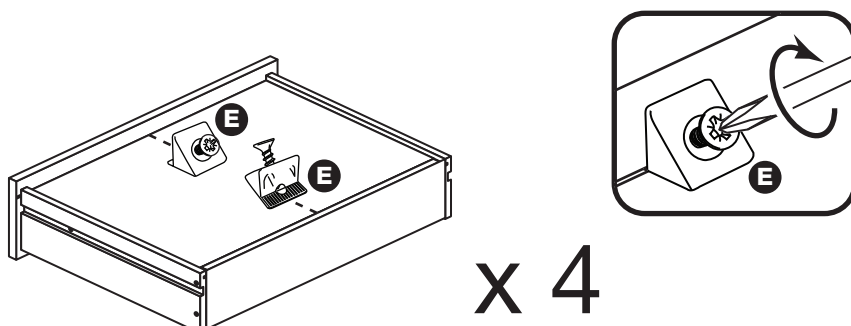
Note: Do not overtighten the screw.



Step 7

Fit the wedgifixes

Turn the drawer assemblies over and slide 2 wedgifixes **E** into the front and back grooves, as shown, and tighten up the screws.



Assembly Instructions

Step 8

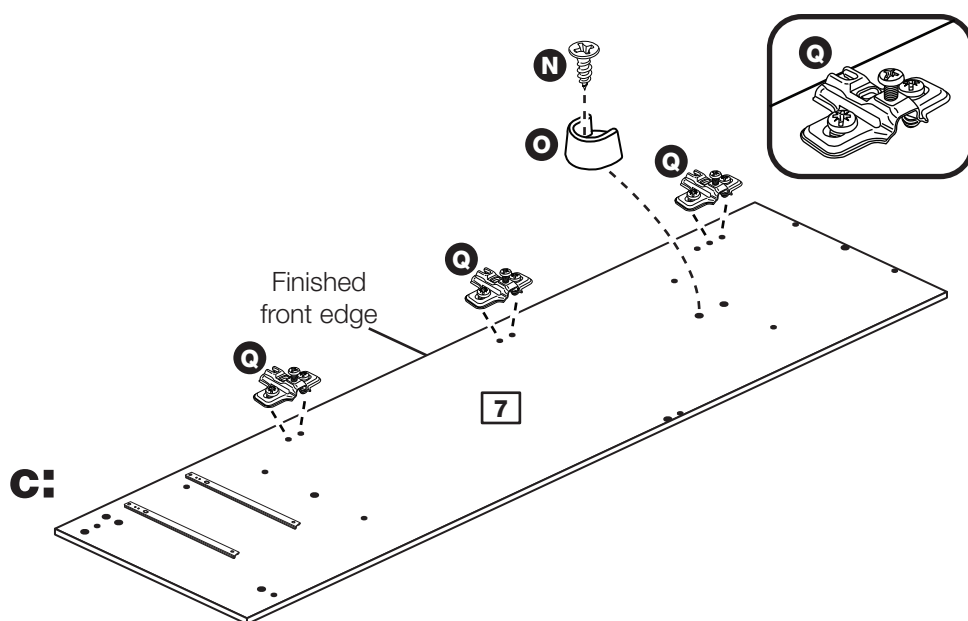
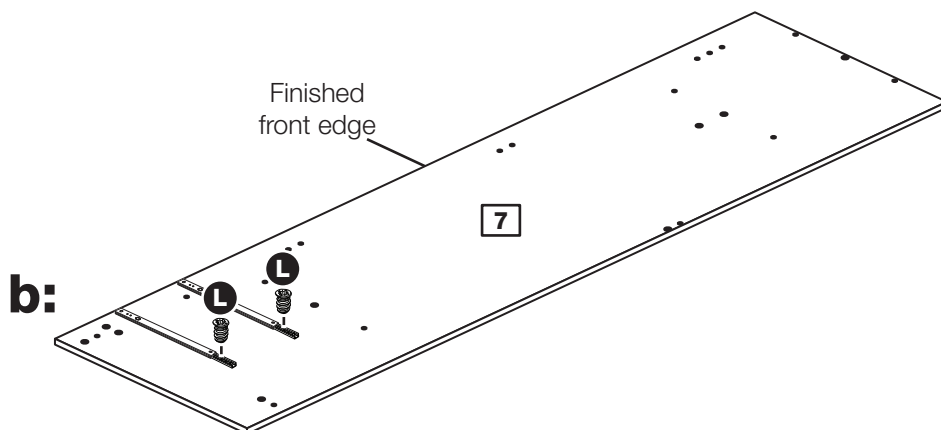
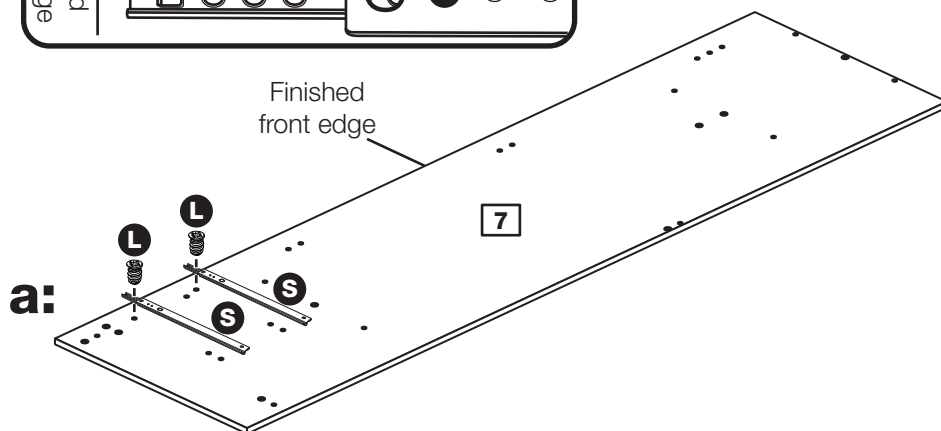
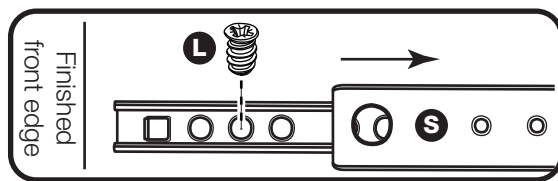
Prepare the left side

a: Place 2 runners **S** on the left side **7** as shown. Slide back the top of runner and use the 2nd hole from the front to fit the 1st screw **L**.

b: Slide the runner **S** back the other way and fit the 2nd screw **L** into the corresponding hole in the left side **7**.

c: Fit 3 hinge plates **Q** onto the left side **7** making sure that the slot is facing towards the finished front edge.

Push a rail holder **O** into the left side **7**. Make sure that it is fitted straight, in line with the panel edges and then secure with screw **N**.



Assembly Instructions

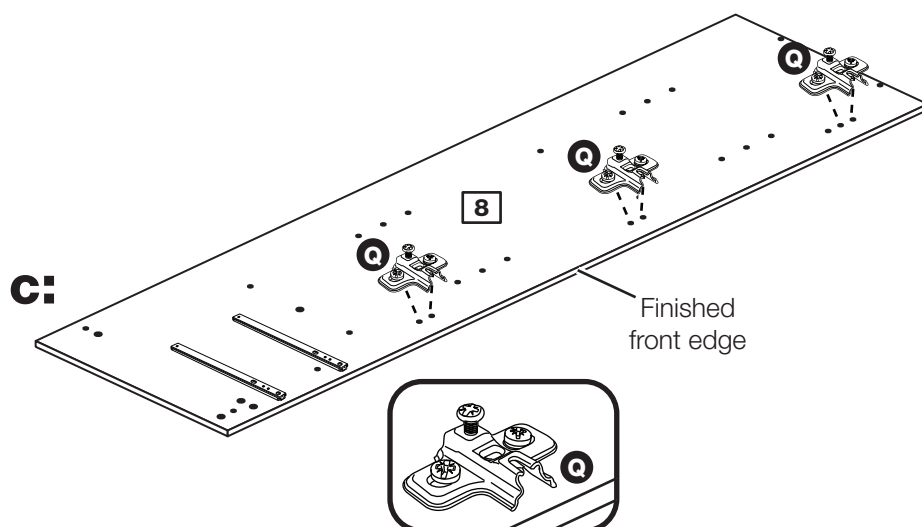
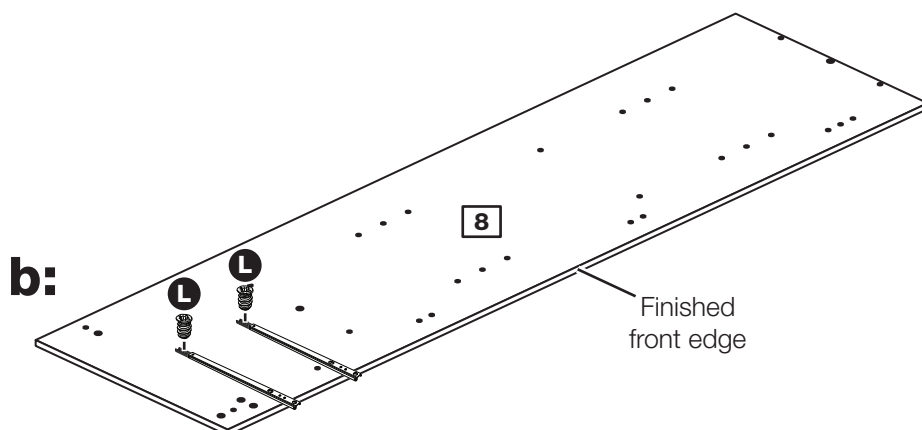
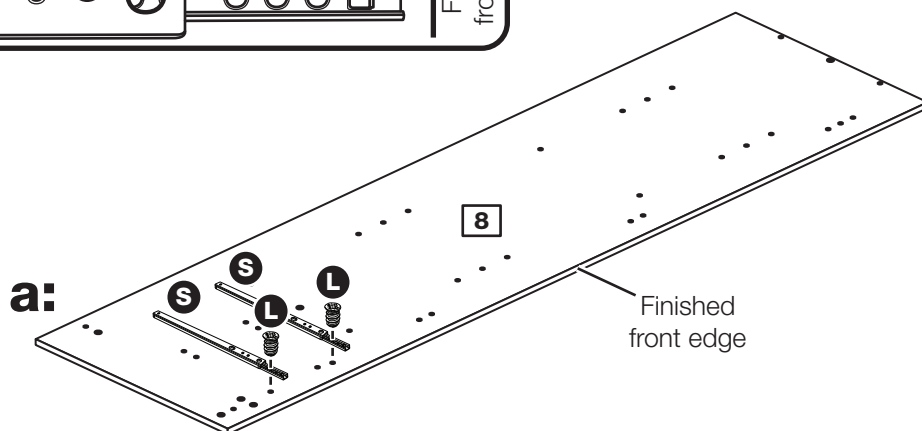
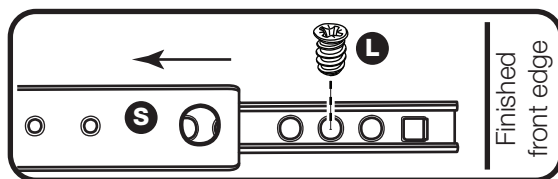
Step 9

Prepare the right side

a: Place 2 runners **S** on the right side **8** as shown. Slide back the top of runner and use the 2nd hole from the front to fit the 1st screw **L**.

b: Slide the runner **S** back the other way and fit the 2nd screw **L** into the corresponding hole in the right side **8**.

c: Fit 3 hinge plates **Q** onto the right side **8** making sure that the slot is facing towards the finished front edge.



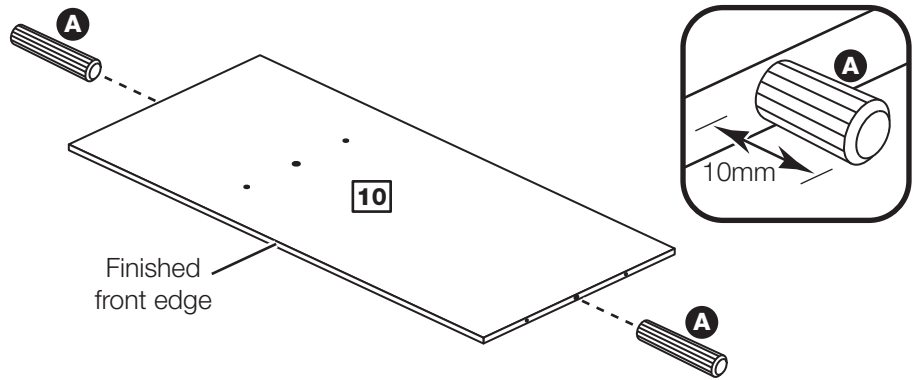
Assembly Instructions

Step 10

Prepare the top

Tap 2 wooden dowels **A** into the top **10**.

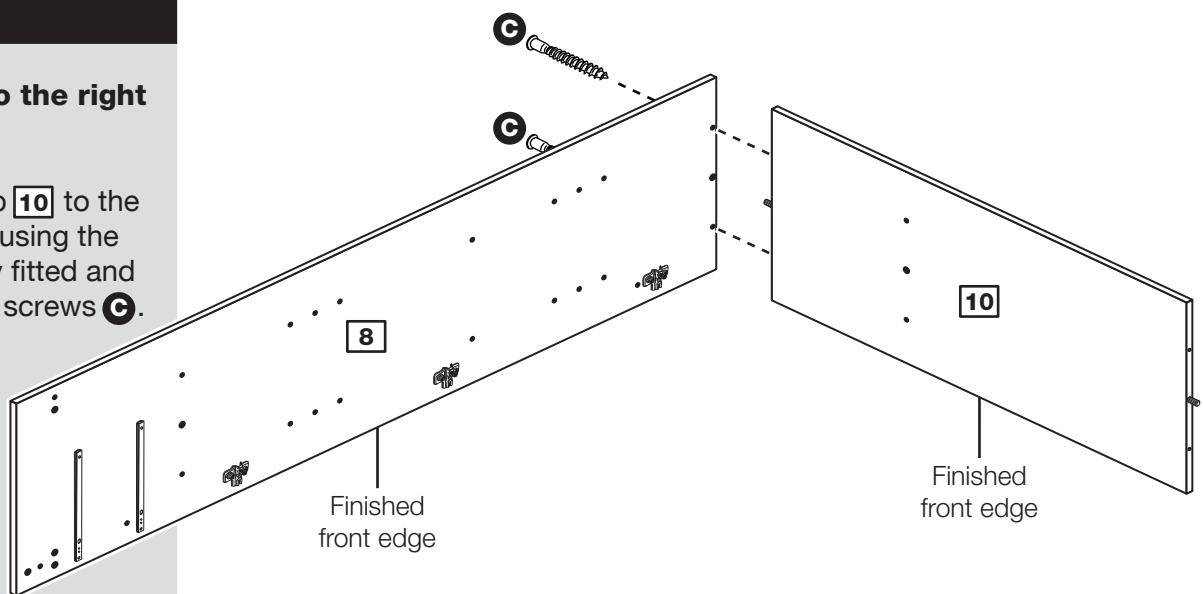
Note: Wooden dowels **must not** stick out from the edge by more than 10mm or they may damage other panels.



Step 11

Fit the top to the right side

Attach the top **10** to the right side **8** using the dowel already fitted and secure with 2 screws **C**.



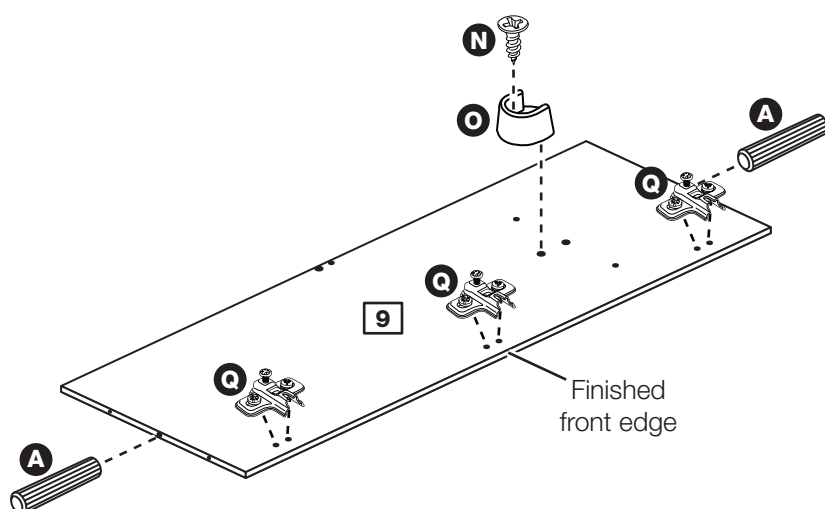
Step 12

Prepare the upright

Fit 3 hinge plates **Q** into the holes shown on the upright **9** making sure that the slot is facing towards the finished front edge.

Push a rail holder **O** into the upright **9**. Make sure that it is fitted straight, in line with the panel edges and then secure with screw **N**.

Tap 2 wooden dowels **A** into the upright **9**.

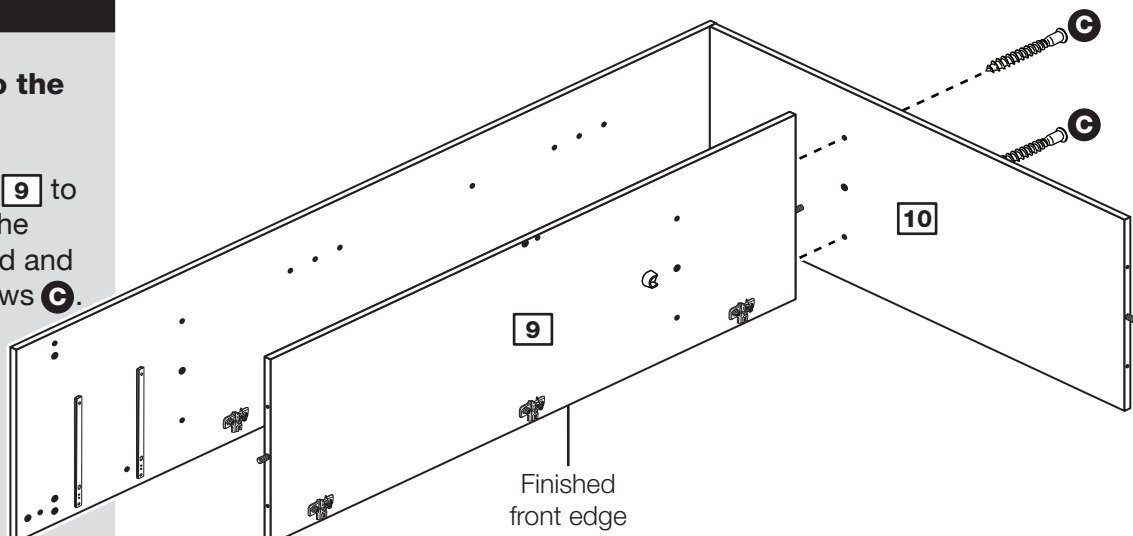


Assembly Instructions

Step 13

Fit the upright to the top

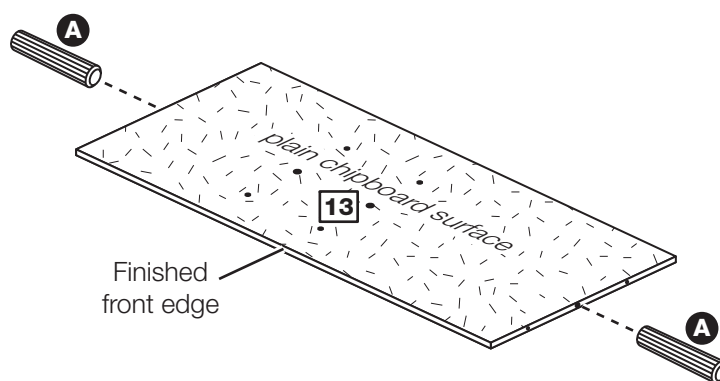
Attach the upright **9** to the top **10** using the dowel already fitted and secure with 2 screws **C**.



Step 14

Prepare the base

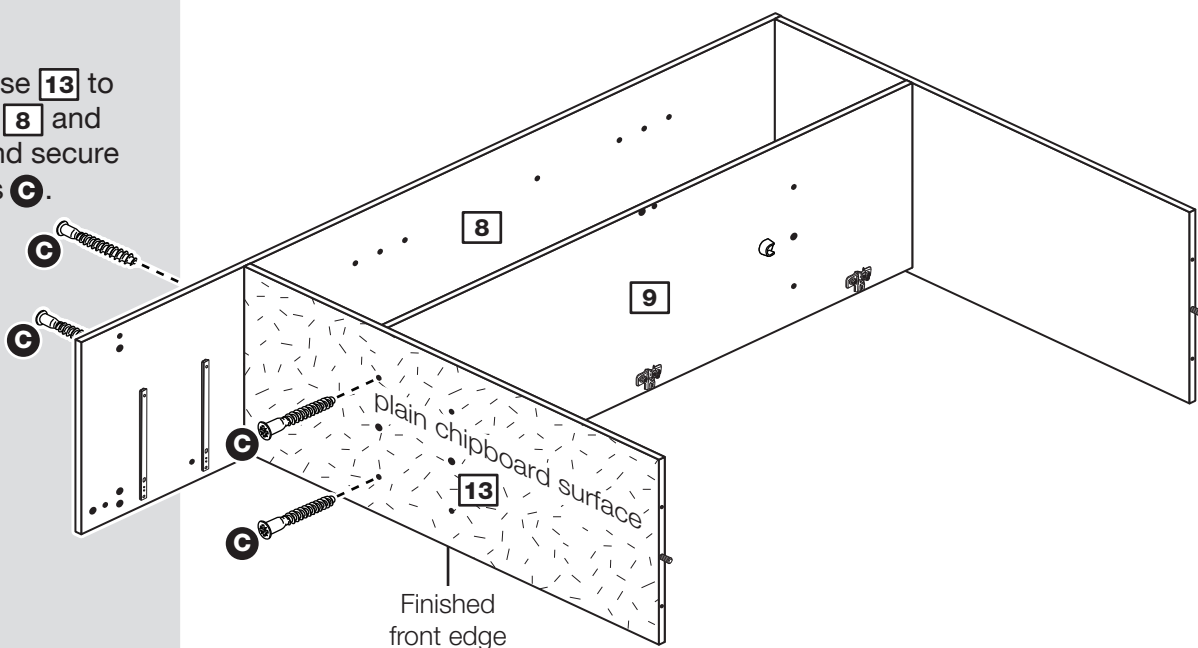
Tap 2 wooden dowels **A** into the base **13**.



Step 15

Fit the base

Attach the base **13** to the right side **8** and upright **9** and secure with 4 screws **C**.

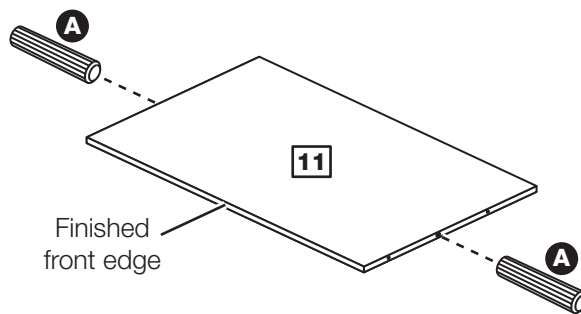


Assembly Instructions

Step 16

Prepare the horizontal

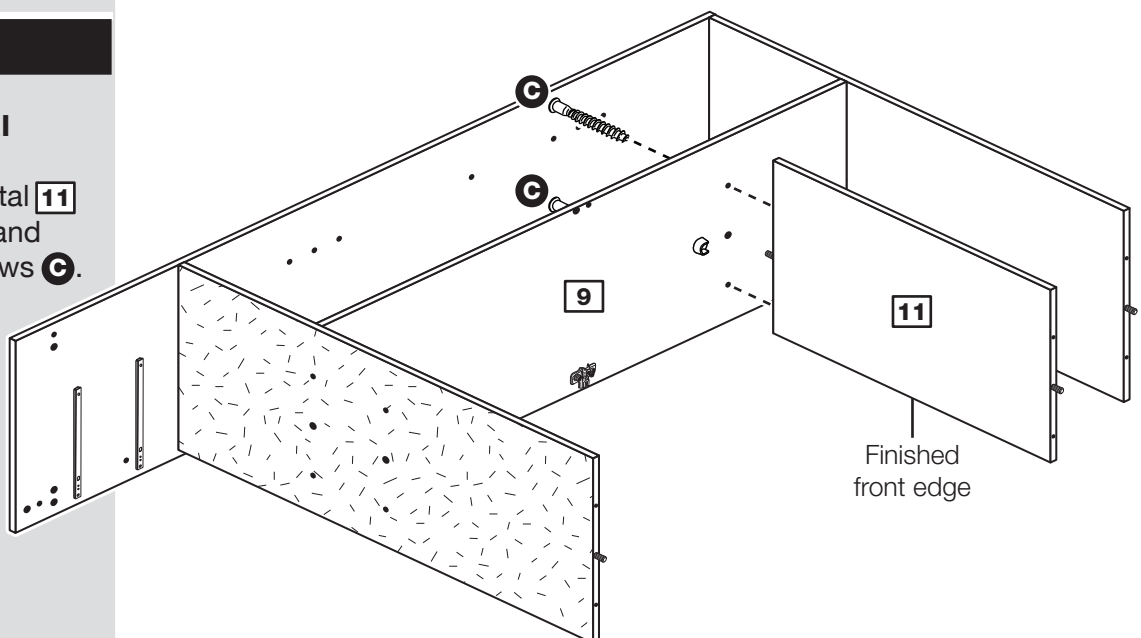
Tap 2 wooden dowels **A** into the horizontal **11**.



Step 17

Fit the horizontal

Attach the horizontal **11** to the upright **9** and secure with 2 screws **C**.



Assembly Instructions

Step 18

Prepare the divider

a: Place 2 runners **S** on the divider **12** as shown. Slide back the top of runner and use the 2nd hole from the front to fit the 1st screw **L**.

b: Slide the runner **S** back the other way and fit the 2nd screw **L** into the corresponding hole in the divider **12**.

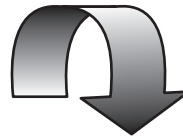
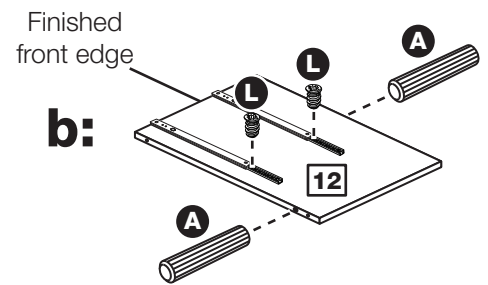
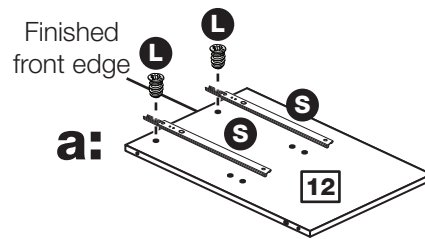
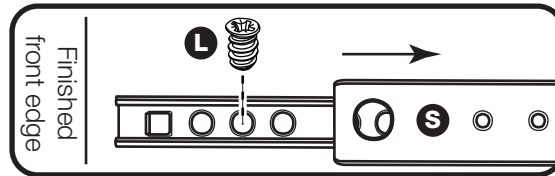
Tap 2 wooden dowels **A** into the divider **12**.

Turn the divider over

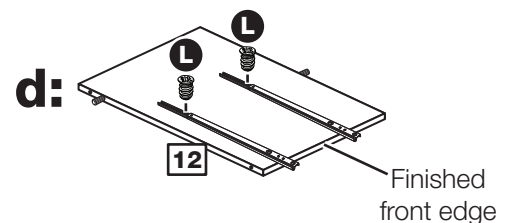
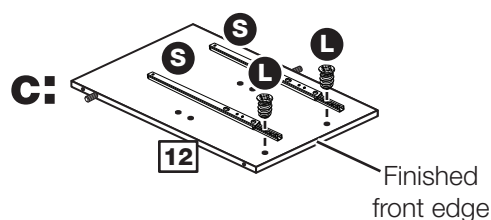
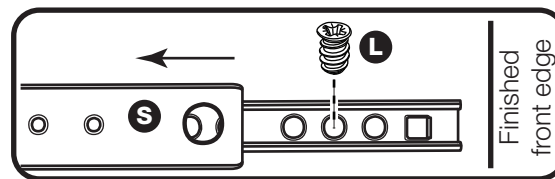
c: Place 2 runners **S** on the divider **12** as shown. Slide back the top of runner and use the 2nd hole from the front to fit the 1st screw **L**.

d: Slide the runner **S** back the other way and fit the 2nd screw **L** into the corresponding hole in the divider **12**.

Note: The colour of the divider may differ from the main unit colour or may be plain chipboard.



Turn the divider over

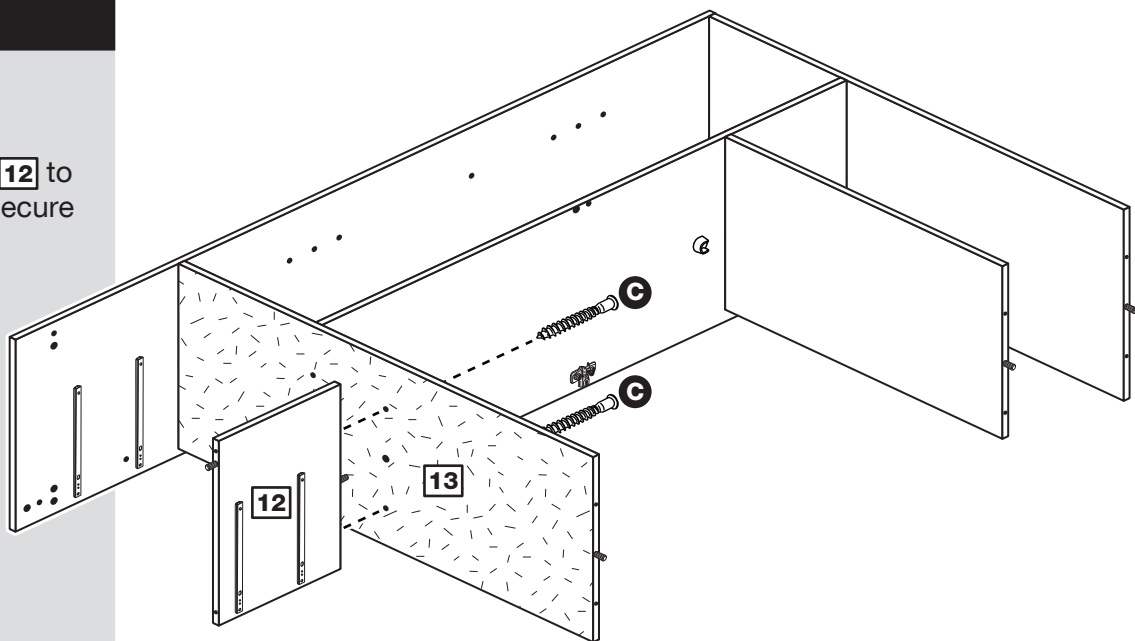


Assembly Instructions

Step 19

Fit the divider

Attach the divider **12** to the base **13** and secure with 2 screws **C**.



Step 20

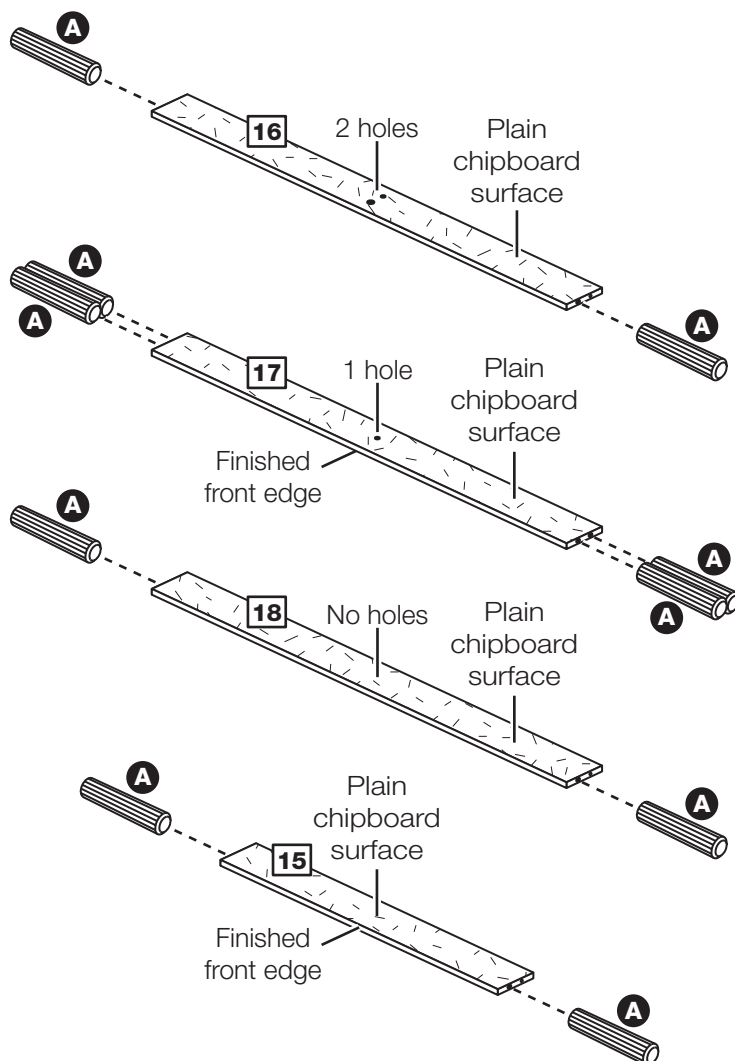
Prepare the base rail, rail, plinth and back rail

Tap 2 wooden dowels **A** into the base rail **16**.

Tap 4 wooden dowels **A** into the rail **17**.

Tap 2 wooden dowels **A** into the plinth **18**.

Tap 2 wooden dowels **A** into the back rail **15**.



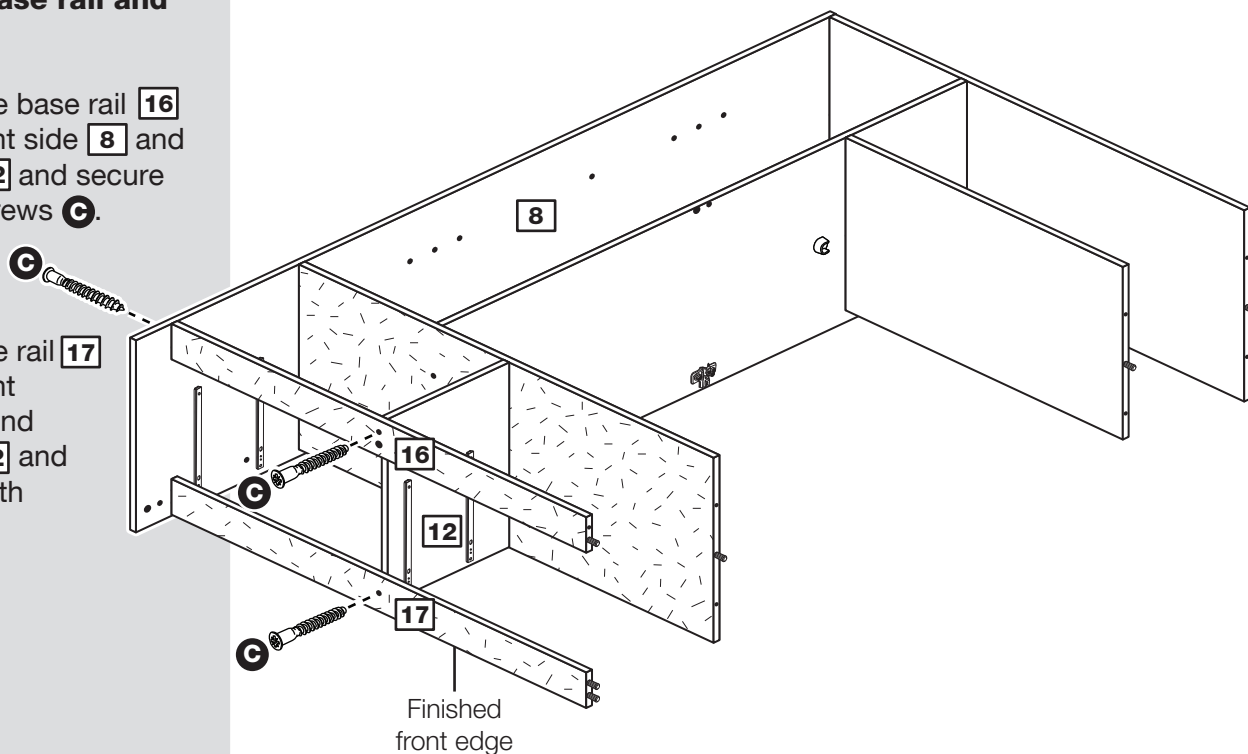
Assembly Instructions

Step 21

Fit the base rail and rail

Attach the base rail **16** to the right side **8** and divider **12** and secure with 2 screws **C**.

Attach the rail **17** to the right side **8** and divider **12** and secure with screw **C**.

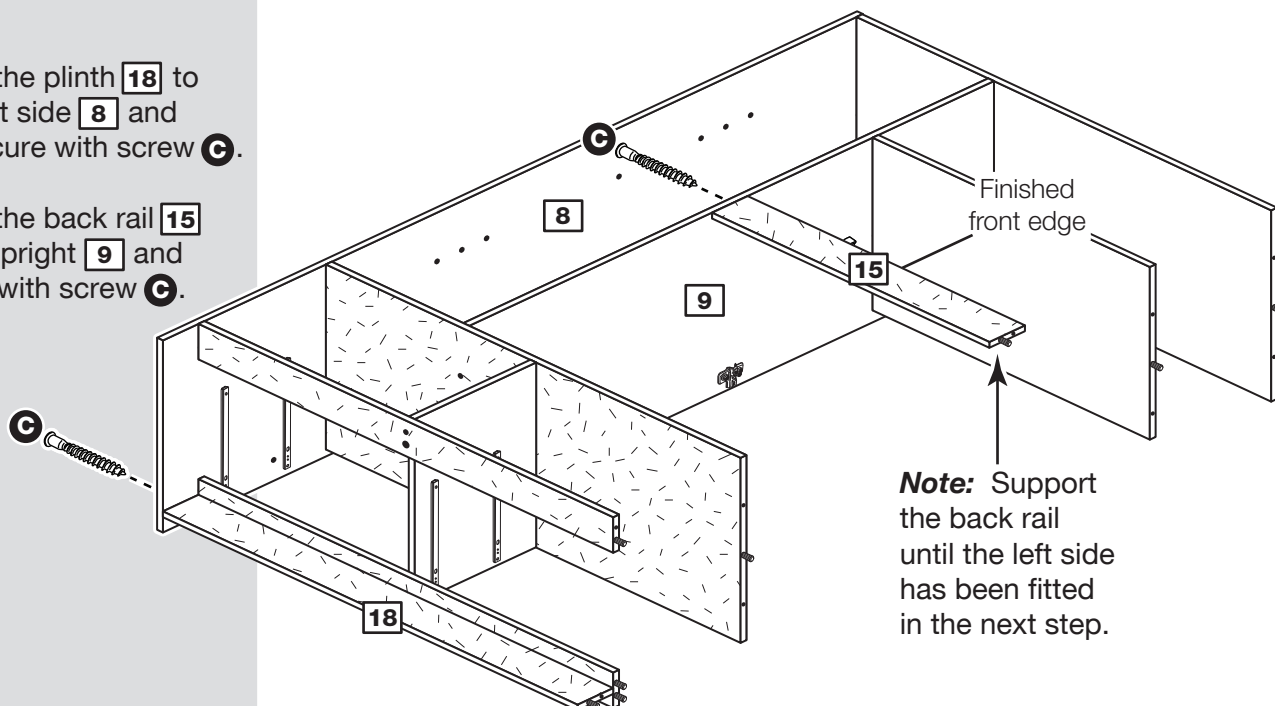


Step 22

Fit the plinth and back rail

Attach the plinth **18** to the right side **8** and secure with screw **C**.

Attach the back rail **15** to the upright **9** and secure with screw **C**.



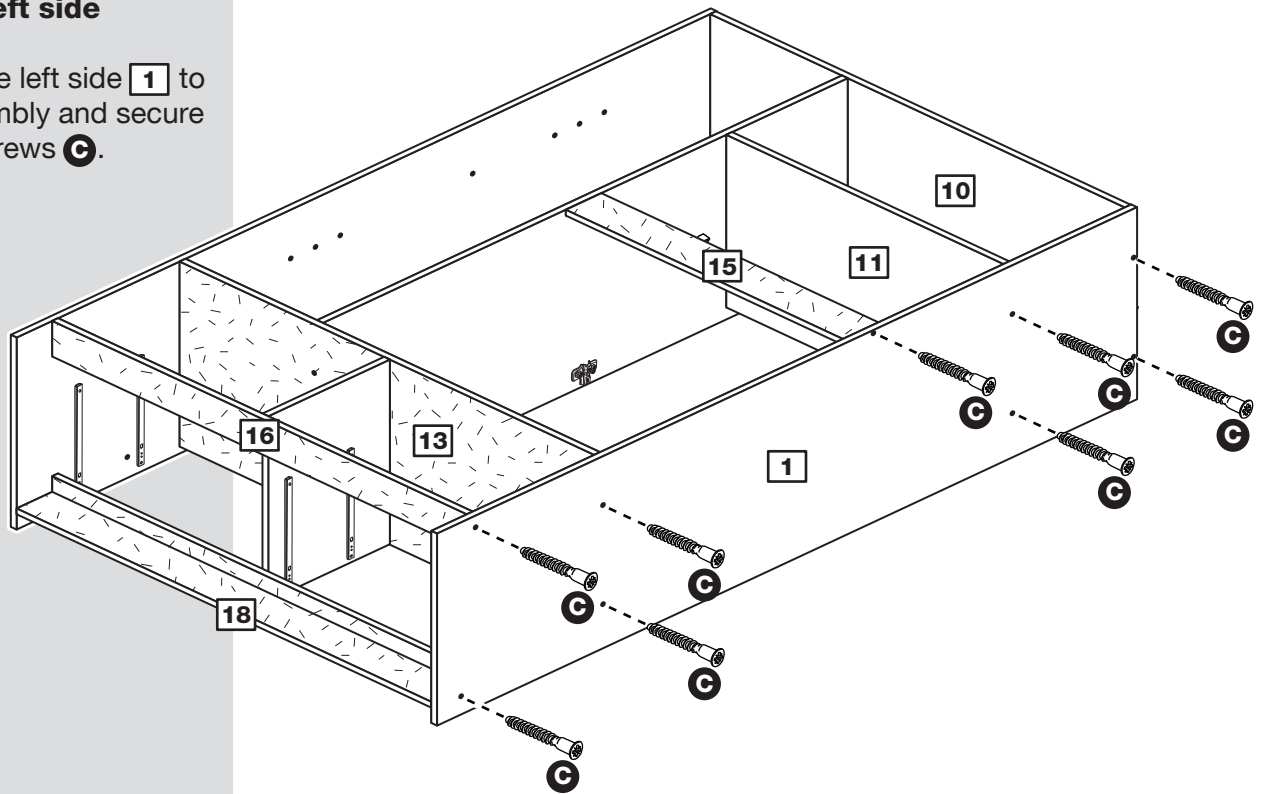
Note: Support the back rail until the left side has been fitted in the next step.

Assembly Instructions

Step 23

Fit the left side

Attach the left side **1** to the assembly and secure with 9 screws **C**.



Assembly Instructions

Step 24

Fit the back panel

a: Square up the unit by making sure that measurement **x to x** equals **y to y**.

Place the small back **21** and large back **22** down onto the unit as shown, with the white surface facing the inside of the unit.

Make sure that the 2 backs are pushed up tight against each other and that they meet in the centre of the upright panel's edge.

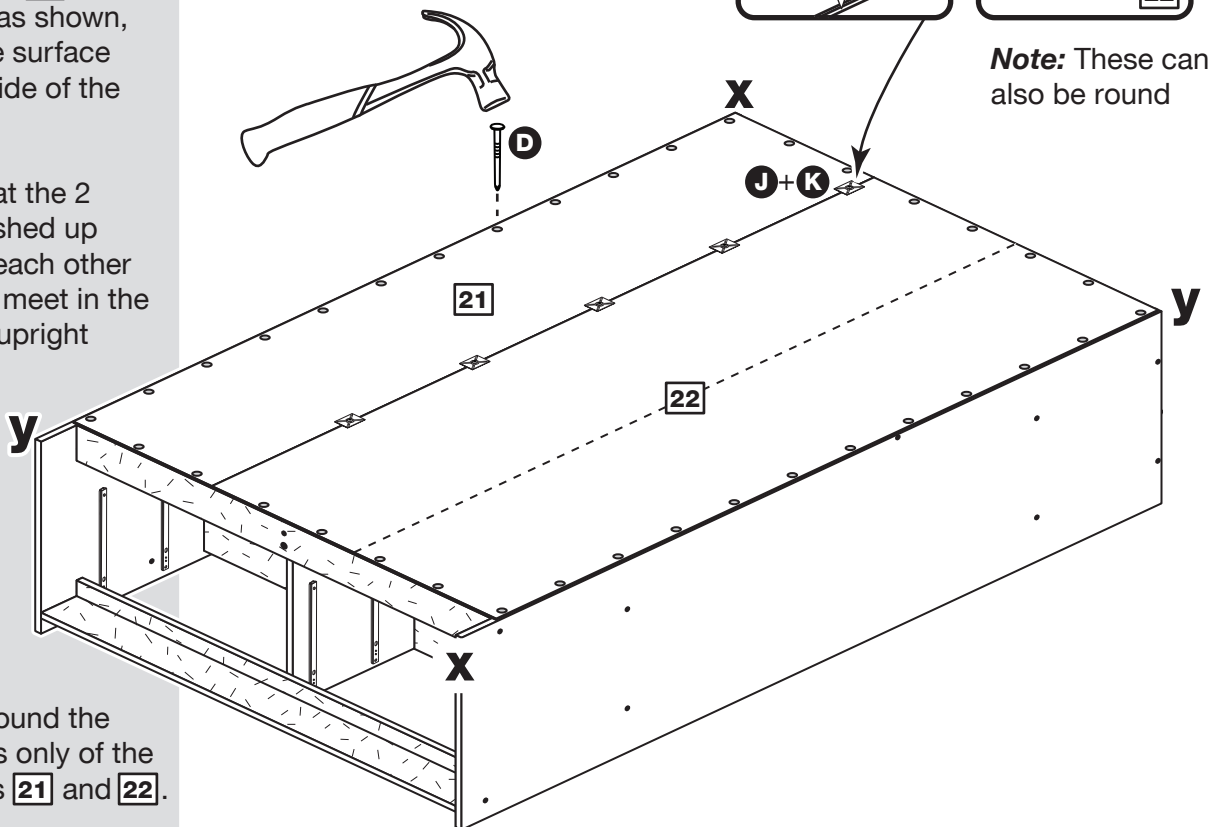
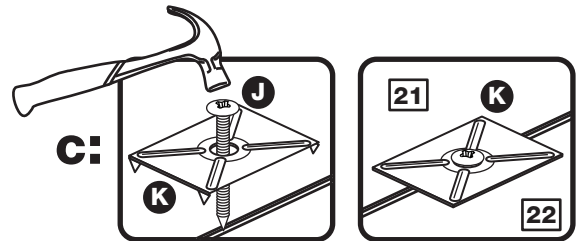
b: Nail **D** around the outside edges only of the 2 back panels **21** and **22**.

c: Push the nail screws **J** through the back holders **K** and tap them down between the small back **21** and the large back **22** and into the back edge of the divider.

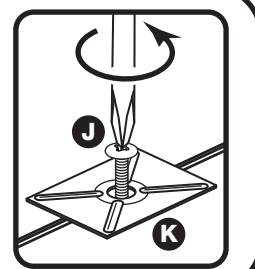
Keep tapping the nail screws **J** in until the back holders **K** dig into the small and large back.

a: The measurement from top corner X to bottom corner X must be equal to the measurement from top corner Y to bottom corner Y

b:
Note: Nails should be spaced about 150mm apart.



Note: If ever you need to take the backs off to dismantle the unit, the nail screws can be taken out using a screwdriver.



Assembly Instructions

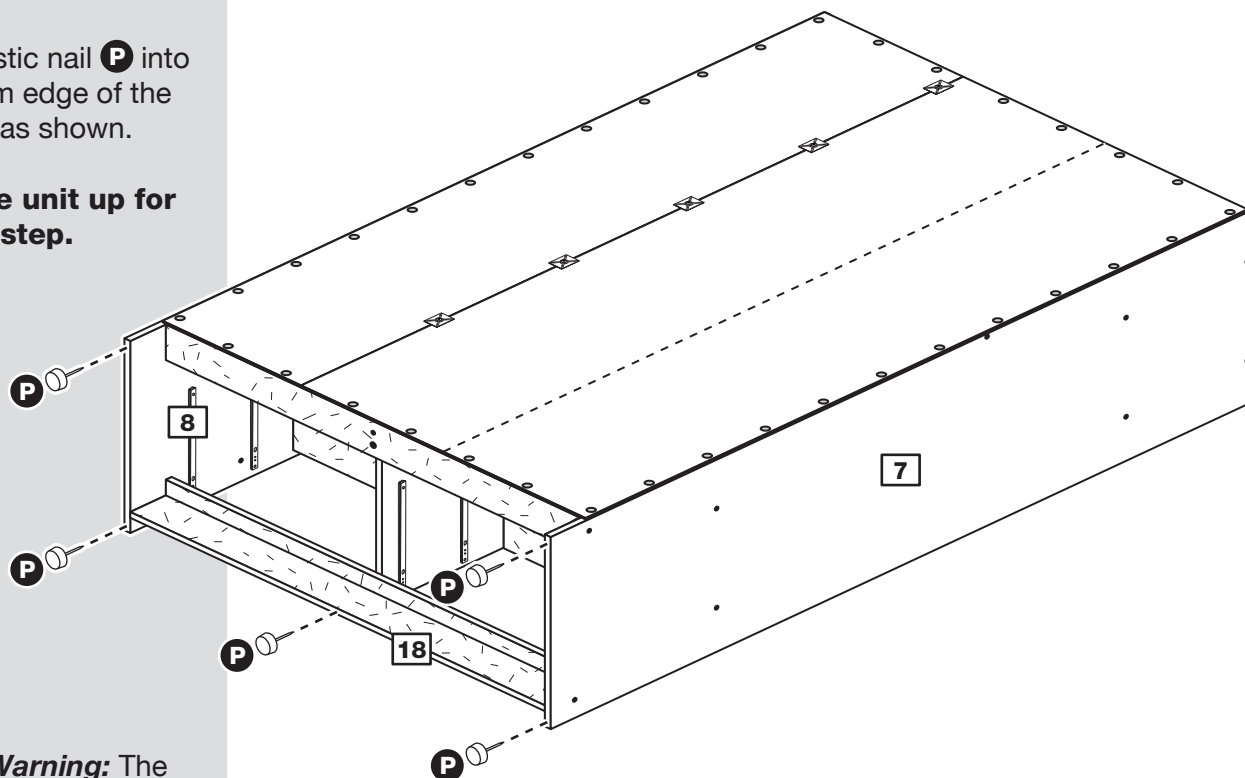
Step 25

Fit the 4 plastic nails

Tap 2 plastic nails **P** into the bottom edge of each side **7** and **8** as shown.

Tap 1 plastic nail **P** into the bottom edge of the plinth **18** as shown.

Stand the unit up for the next step.



Warning: The robe is heavy. Lift with care.

Assembly Instructions

Step 26

Fit the hanging rail and drawers

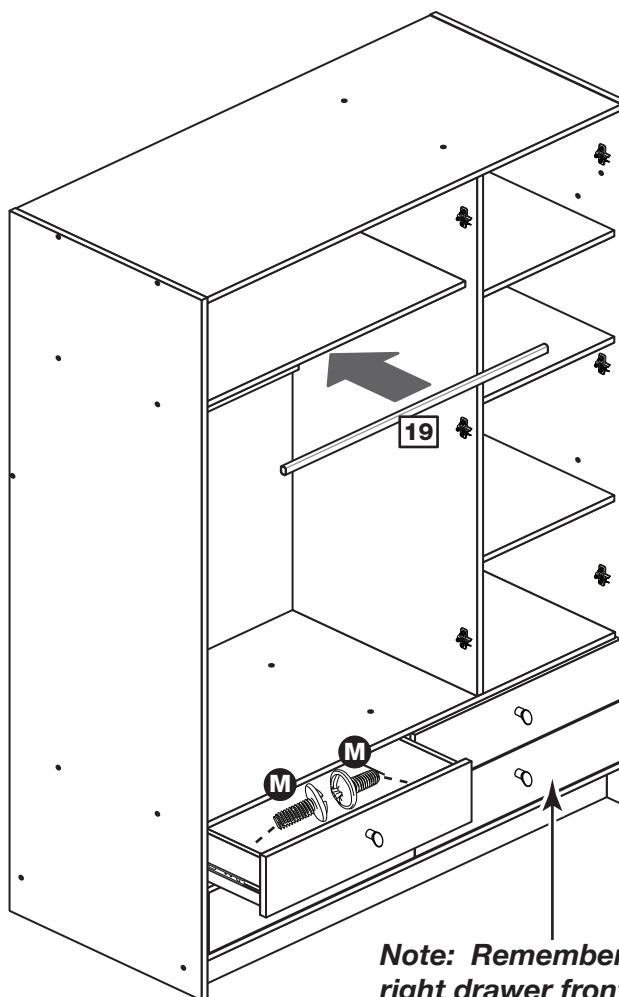
a: Push the hanging rail **19** into the rail holders **o** on the side panels.

b: Starting with the bottom drawer, slide both the runners **s** forward and locate the drawer sides **3** and **4** between them, lining up the holes in the drawer wrap with the 2nd 'threaded' holes in the runners **s**.

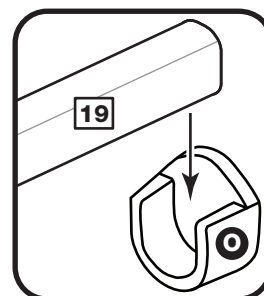
Working from the inside of the drawer, insert 2 screws **M** through the drawer sides and out into the 2nd threaded hole in the runner.

Note: Do not overtighten the screws.

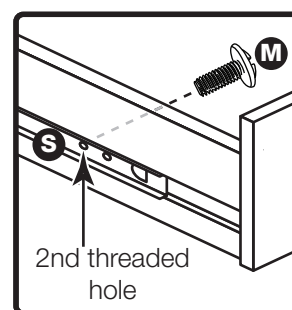
If they catch on the runner you may need to loosen them slightly.



a:



b:



Note: Remember the right drawer fronts have identification marks - refer back to step 1.

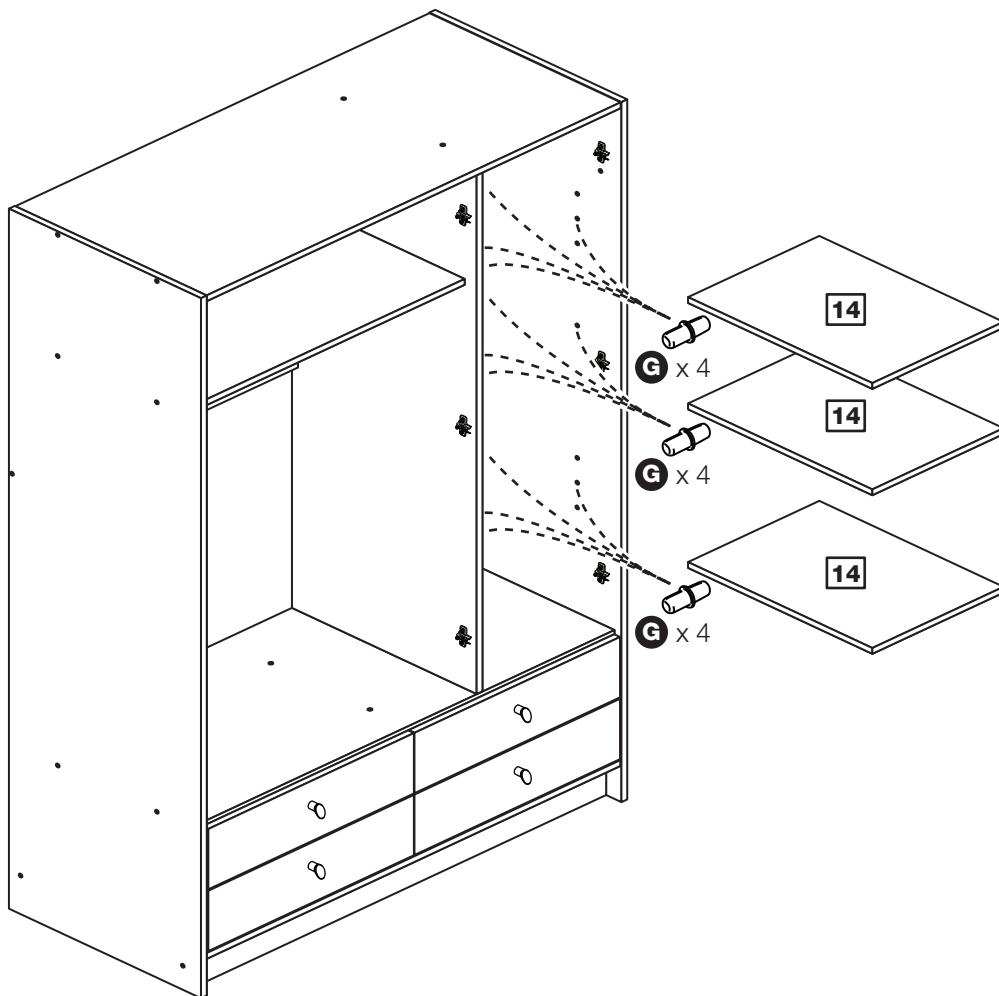
Assembly Instructions

Step 27

Fit the 3 loose shelves

Insert 4 shelf studs **G** for each of the shelves.

Slide in the 3 loose shelves **14**, placing them on top of the shelf studs **G**.



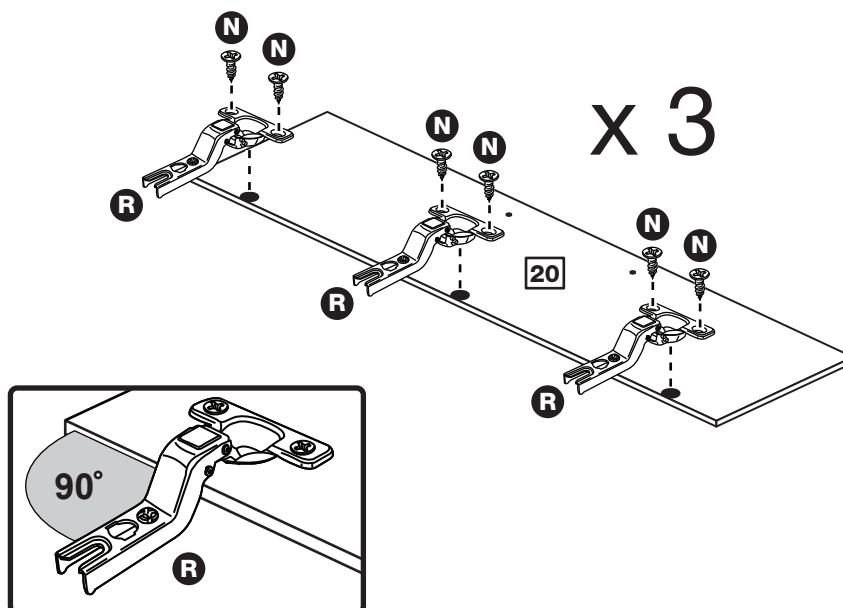
Step 28

Prepare the 3 doors

Push fit 3 hinges **R** into each of the 3 doors **20**.

Secure each hinge with 2 screws **N**.

Note: Before securing with the screws, make sure that the hinges are positioned at 90 degrees with the edge of the door.



Assembly Instructions

Step 29

Drill a handle hole in small door

Important: Please follow these instructions carefully.

Lay the 3 doors **20** down onto a smooth surface.

Check that the hinges and holes are in the same place as the diagrams.

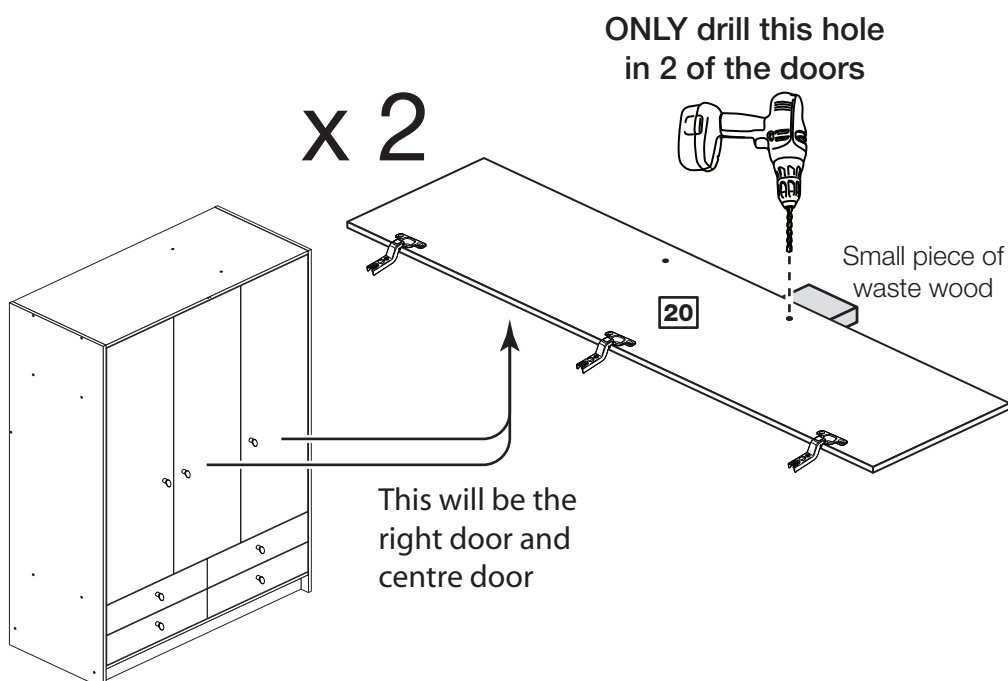
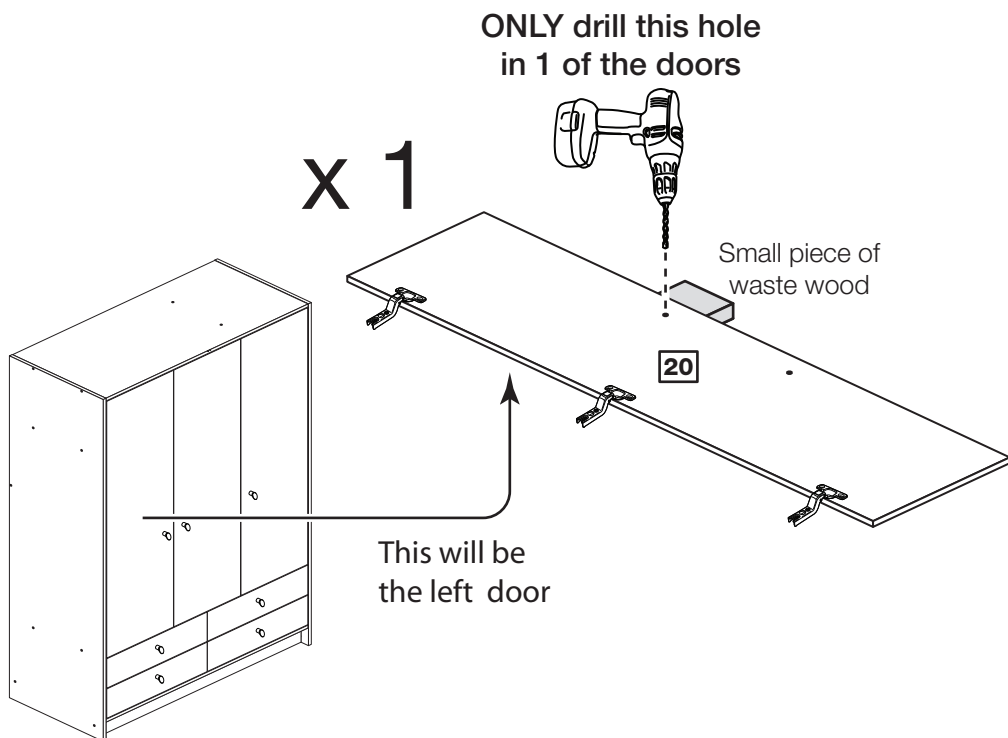
Note: We recommend the use of a small piece of waste wood, placed behind the hole while drilling, to reduce the possibility of any breakout.

Using the pilot hole in the rear face of the door, drill through the hole indicated opposite, using a 2.5mm diameter drill.

Turn the door over and open out the 2.5mm hole that you have just drilled by drilling back through it with a 5mm drill.

IMPORTANT

Carefully choose which hole you need to drill in each door



Assembly Instructions

Step 30

Fit doors and handles

Note: The easiest way to attach each door **20** is to fit the top hinge first, then align and fit the other hinges.

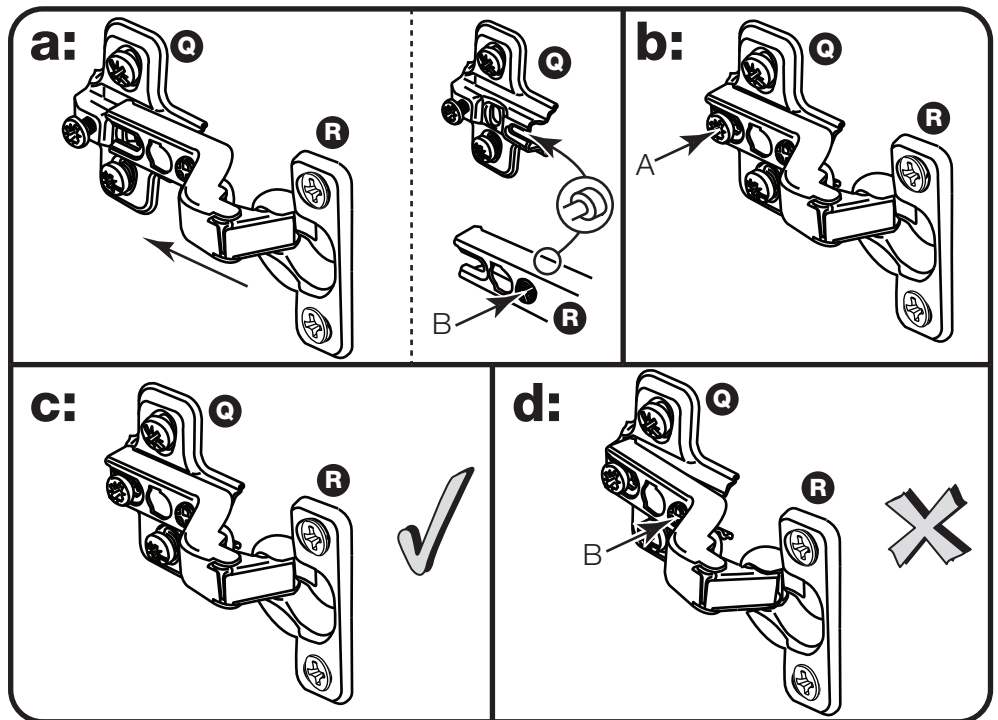
a: Push the hinge **R** onto the front part of the hinge plate **Q**. The recess at the bottom of screw B goes into the slot in the hinge plate.

b: Keep the hinge **R** FLAT against the hinge plate **Q** as you slide it across as far as it will go. Tighten screw A.

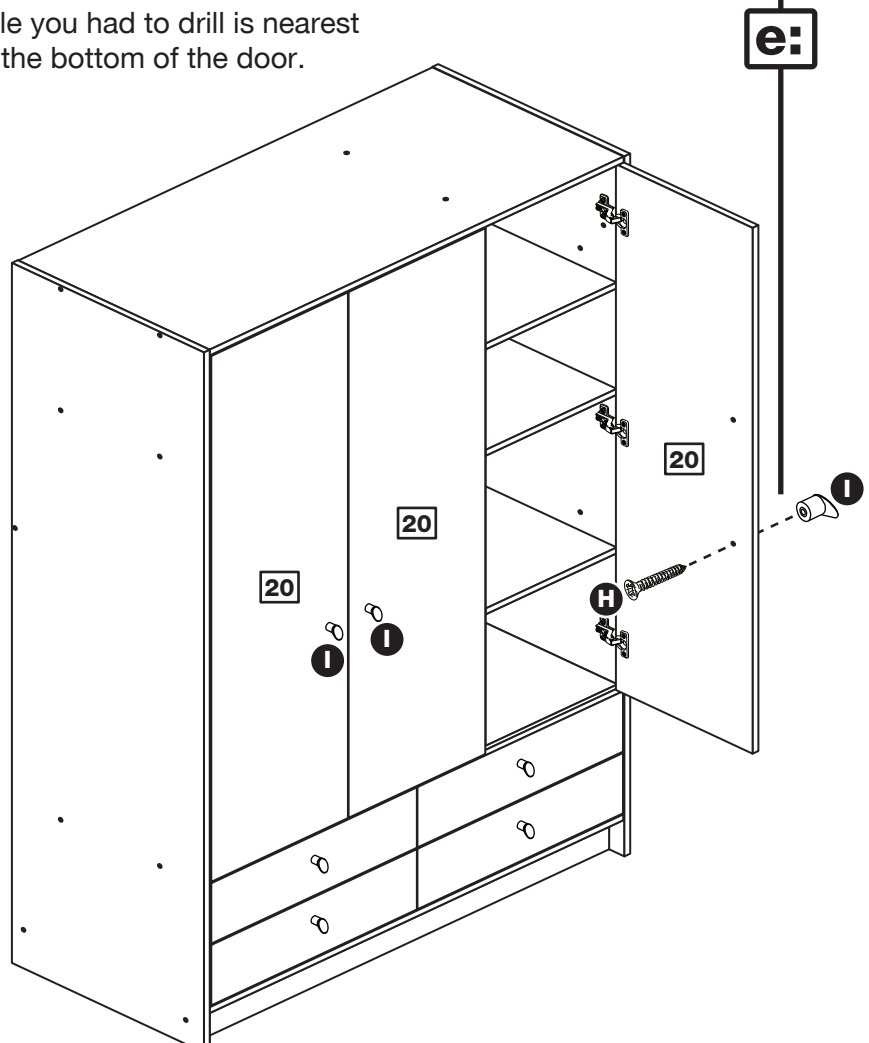
c: The hinge **R** must be flat against the hinge plate **Q** prior to any adjustment.

d: The hinge **R** must NOT be AT AN ANGLE to the hinge plate **Q** when assembled. This would indicate that the recess at the bottom of screw B had not located in the slot in the hinge plate and the hinge would not be secure. Remove the hinge from the hinge plate and then re-assemble being careful to follow instructions a-c.

e: Attach a handle **I** to each of the 3 doors **20** using screws **H**.



Note: When fitting the doors, make sure that the handle hole you had to drill is nearest to the bottom of the door.



Assembly Instructions

Step 31

Adjust the doors if needed

a: Before adjusting the doors, use a spirit level to check the base (or top) of the unit is level, front-to-back and side-to-side in the 3 positions shown. Use suitable packing pieces (not supplied) to make the unit level BEFORE making any adjustment to the hinges, as shown.

b: Height adjustment.

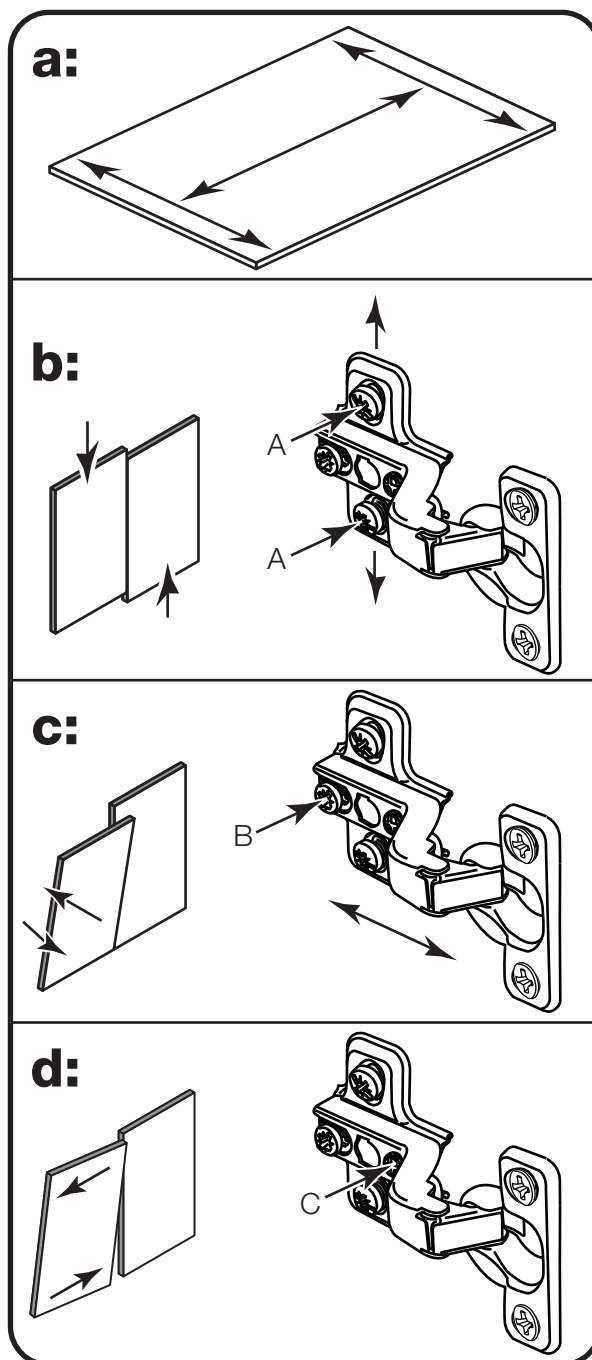
Loosen screws A on hinge plates and move door up or down as required. Retighten screw A.

c: Forward and Back adjustment.

Loosen screw B on hinge plate and move door in or out as required. Retighten screw B.

d: Sideways adjustment.

To move door 'out' loosen screw C. To move door 'in' tighten screw C.



Assembly Instructions

Step 32

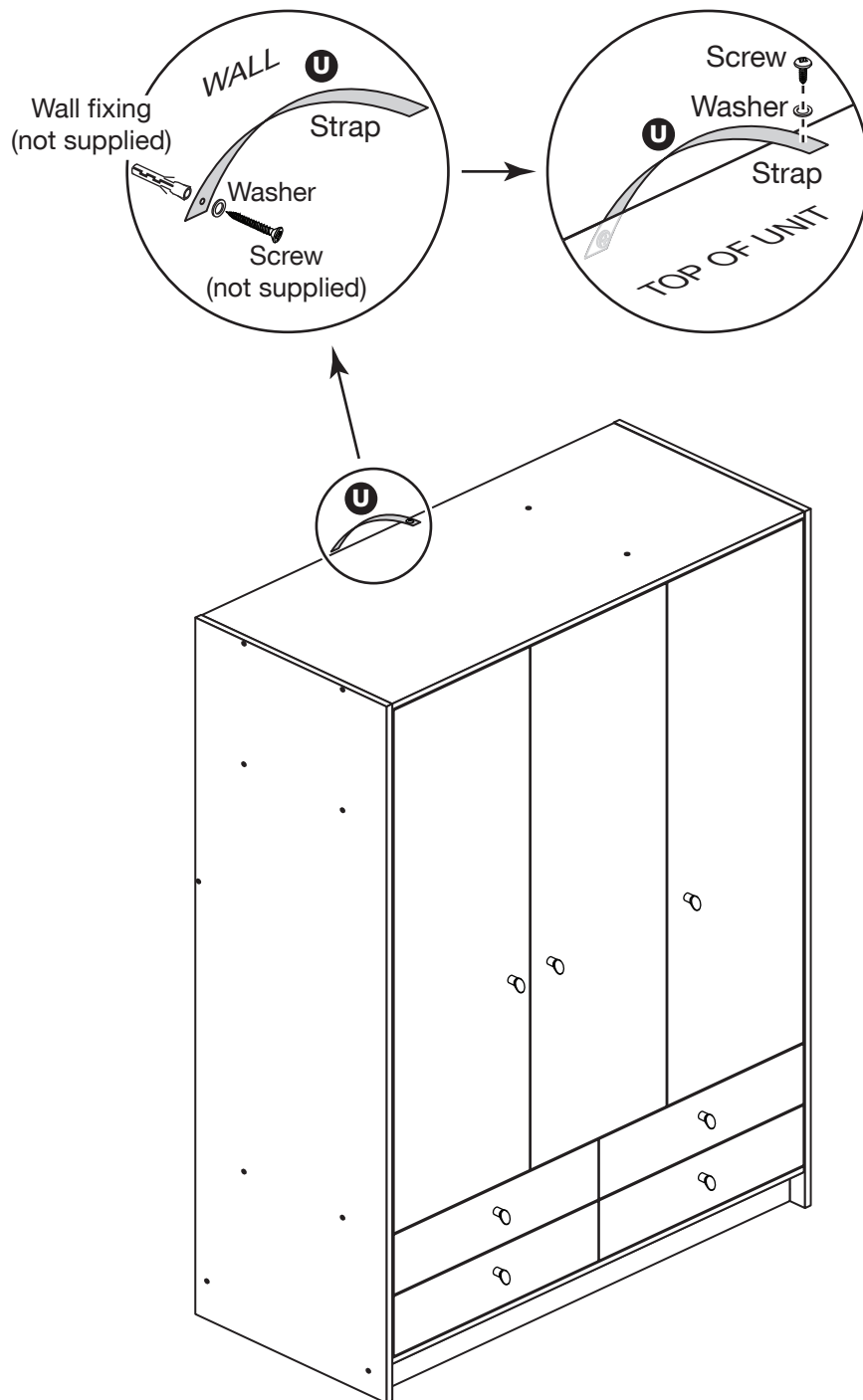
Fit the overbalance protector kit

To prevent possible overbalancing we recommend that this unit is secured to a suitable wall by fitting of the overbalance protector kit **U** to the unit, or an alternative fixing method of your choice.

Wall fixings are not supplied as they will need to suit the wall type.

Note: Take care when drilling the wall that you do not drill into any pipes, wires etc. If in doubt, consult an expert.

Assembly is complete



If you need help or have damaged or missing parts, call the Customer Helpline: 03456 400800 and quote the reference numbers on the component pages.

Argos Ltd, 489-499 Avebury Boulevard, Central Milton Keynes, MK9 2NW

