

New Hallingford 2 Door 3 Drawer Wardrobe

Assembly Instructions - Please keep for future reference

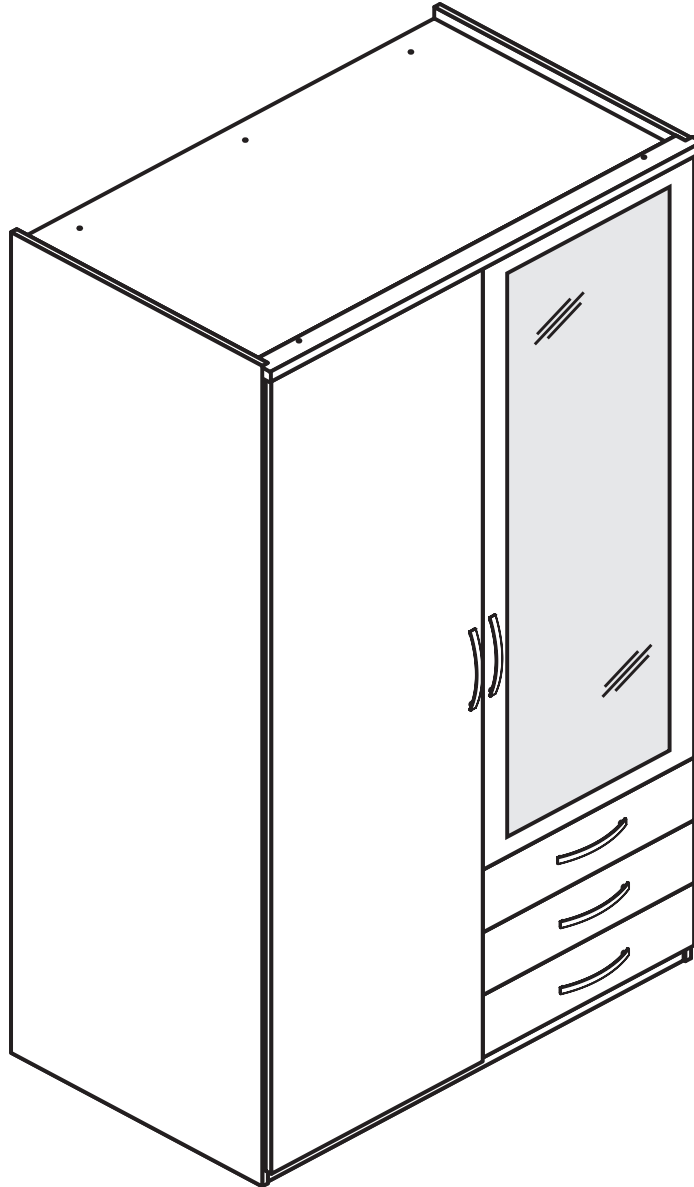
2274951

2498696

2684321

2599409

2328450



Dimensions

Width - 99,7cm

Depth - 60,3cm

Height - 205,7cm

Tip: To prevent damage, we recommend that you build your unit on the carton(s) it was packed in.

Important – Please read these instructions fully before starting assembly

If you need help or have damaged or missing parts, please visit: www.argos-support.co.uk or email: Help@ClickSpares.co.uk (quoting your original order number)

Alternatively, call the Spares Helpline on: **0370 112 1928**

For any other queries please contact the Customer Helpline on: **0345 640 2020**



Safety and Care Advice

Important – Please read these instructions fully before starting assembly

- Check you have all the components and tools listed on pages 2 and 3.
- Remove all fittings from the plastic bags and separate them into their groups.
- Keep children and animals away from the work area, small parts could choke if swallowed.
- Make sure you have enough space to layout the parts before starting.

- Do not stand or put weight on the product, this could cause damage.
- Assemble the item as close to its final position (in the same room) as possible.
- Assemble on a soft level surface to avoid damaging the unit or your floor.
- Parts of the assembly will be easier with 2 people.



power drill is set on a low torque setting.

Warning: Only use a manual screwdriver to attach the hinges.

- Dispose of all packaging carefully and responsibly.

Care and maintenance

- Only clean using a damp cloth and mild detergent, do not use bleach or abrasive cleaners.
- From time to time check that there are no loose screws on this unit.
- This product should not be discarded with household waste. Take to your local authority waste disposal centre.

Instruction video



• This manual is provided with an additional instruction video. If the icon on the right is displayed at a particular step in the manual, Follow the link: <http://nlink.nu/vid01> Or scan the QR code on the left with your phone.



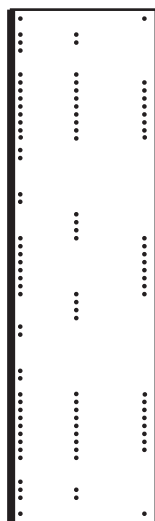
See page 1 for link to instruction video!

Note: if required the next page can be cut out and used as reference throughout the assembly. Keep this page with these instructions for future reference.

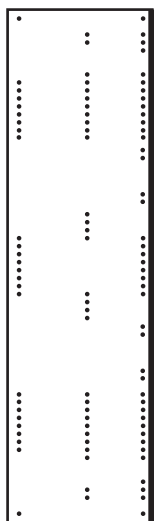
Components - Panels

For damaged or missing parts, please visit:
www.argos-support.co.uk or email: Help@ClickSpares.co.uk

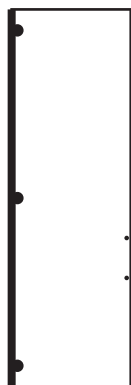
Please check you have all the panels listed below



1 Left side
(205.6 x 58cm)
P2349b



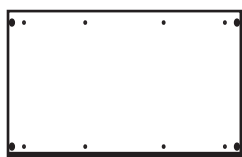
2 Right side
(205.6 x 58cm)
P2349b



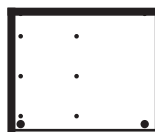
3 Mirror door small
(151.2 x 48.8cm)
PS3719



4 Door x 1
(199.2 x 48.8cm)
P3724



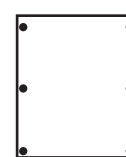
5 Top/Bottom x 2
(96.7 x 57.7cm)
P1341



6 Upright small
(47.5 x 57.7cm)
P2893



7 Large horizontal
(96.7 x 57.6cm)
P1342



8 Small horizontal
(47.6 x 57.6cm)
P1343



9 Drawer base x 3
(45.4 x 34.9cm)
BO33955B



10 Drawer wrap x 3
(35 x 46.7 x 10cm)
LA1869



11 Drawer front x 3
(48.8 x 15.7cm)
P4315



12 Foldy back
(199.3 x 98cm)
BO33933



13 Plinth front
(96.6 x 14cm)
P7334C



14 Plinth back
(96.6 x 5.4cm)
P7335C



15 Pelmet
(99.9 x 4.5cm)
FA247



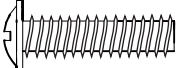









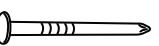
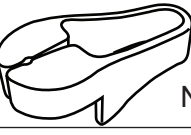




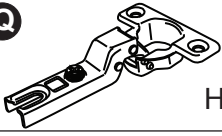
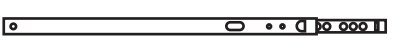
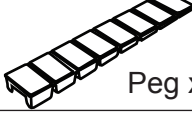



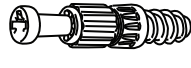

Components - Fittings

For damaged or missing parts, please visit: www.argos-support.co.uk or email: Help@ClickSpares.co.uk

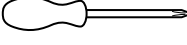
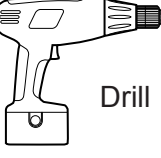


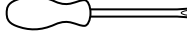
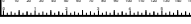
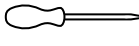






Please check you have all the fittings listed below

Note: The quantities below are the correct amount to complete the assembly. In some cases more fittings may be supplied than are required.

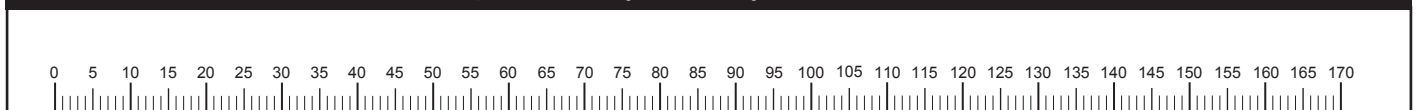
Fittings Drawers

B  20mm Screw x 10 FK1980	C  9mm Screw x 6 FK1981	H  24mm locking screw x 6 FK1011
J  Small locking nut x 6 FK1010	U  Drawerbase support x 6 FK1250	X  Glue x 1 FA1510
Fittings Carcase		
A  40mm Screw x 6 FK1324	D  15mm Screw x 13 FK1400	E  10mm Fixing screw drawer x 12 FK1301
F  12.5 mm Screw x 2 FK1309	K  Nail x 60 FA1515	L  Nail holder x 1 FK1419
M  Hanger rail support x 2 FK1217	N  Hanger rail large x 1 PM1884	O  15mm Screw x 12 FK1311
P  Hinge back x 6 FK1269	Q  Hinge door x 6 FK1268	R  Runner x 6 PM16951
S  Peg x 2 FK1234	T  Door/Drawer handle x 5 GR1975	V  Wall plug and parkerscrew x 1 ZF99936
G  L-Bracket x 1 FK1235	H  24mm locking screw x 22 FK1011	I  Large locking nut x 22 FK1012

Tools required

 Phillips screwdriver (medium & large)	 Drill	 Stairs	 Small hammer
 Flatblade screwdriver (medium)			 Ruler/tape measure
 Piercer (small)	 Spirit level		 Scissors
 5mm Suitable drill bit			
 5mm Suitable drill bit	 Setsquare		 Eye protection (when using a hammer or drill)

Ruler - Use this ruler to help correctly identify the screws



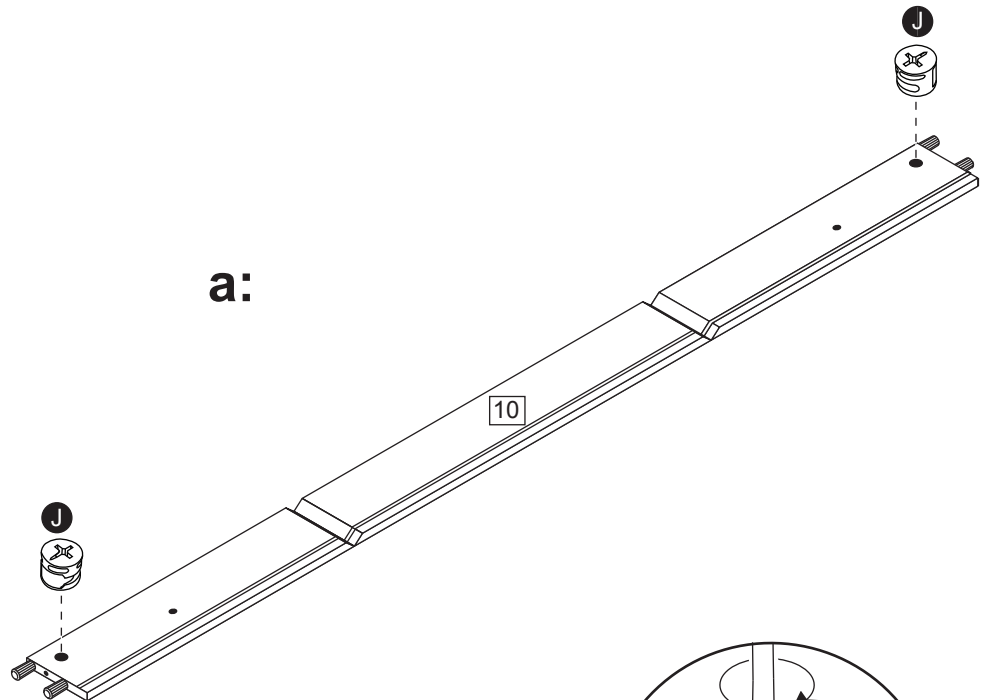
Assembly Instructions

Step 1

Drawer assembly x 3

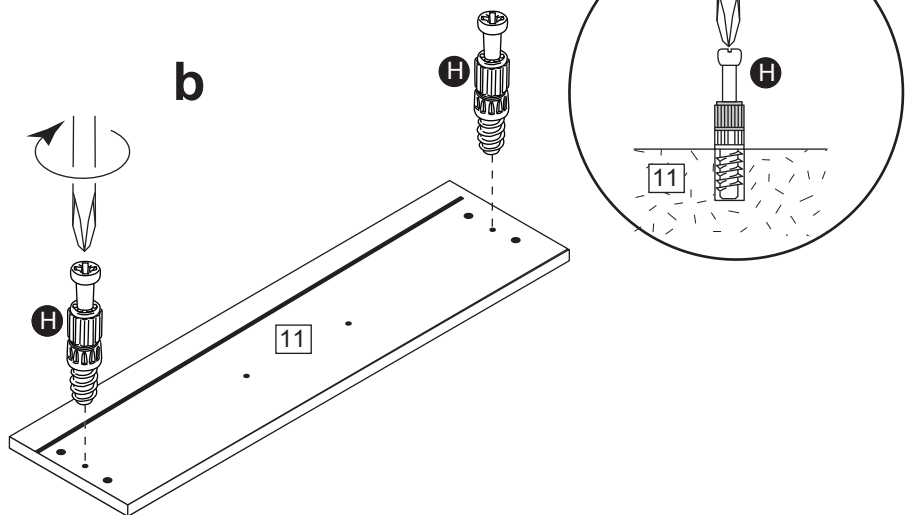
a: Insert two small locking nuts **J** into drawer wrap **10**.

Make sure the 'arrow' on **J** is pointing towards the hole in the edge of **10**.

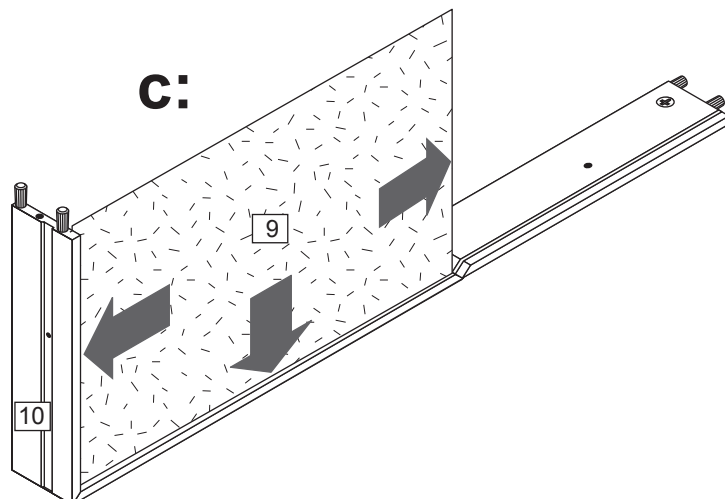


b: Screw 24mm locking screws **H** into holes shown on back of drawer front **11**.

Make sure 24mm locking screws **H** are tightened right up against drawer front **11**.



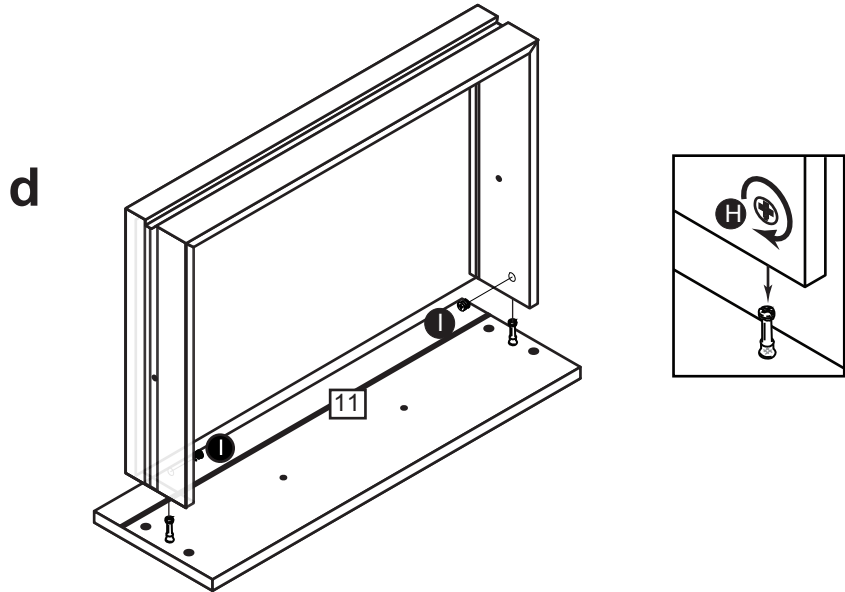
c: Slide drawer base **9** into grooves shown on drawer wrap **10**.



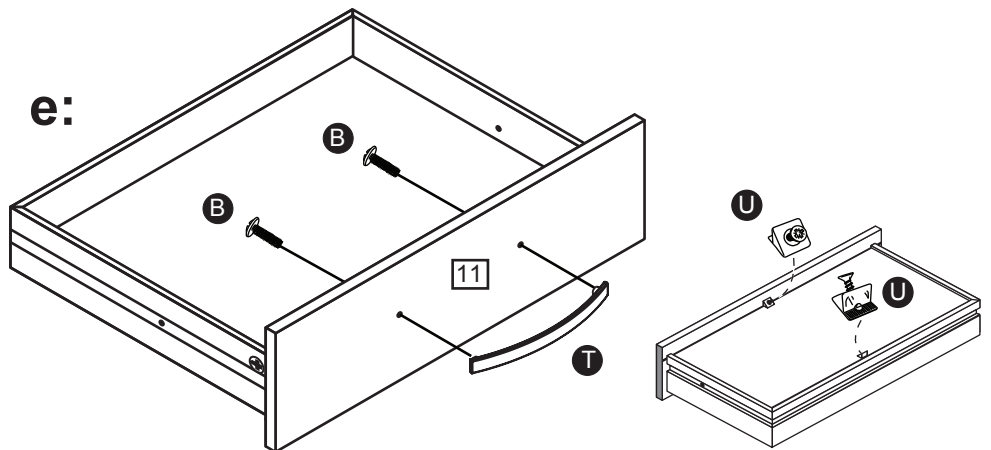
Assembly Instructions

Step 1 - continued

d: Turn the drawer wrap assembly over and push onto the drawer front **11**. Use a phillips or flatblade screwdriver, that is a good fit to turn 24mm locking screw **1** as far as it will go - more than 1/2 turn.



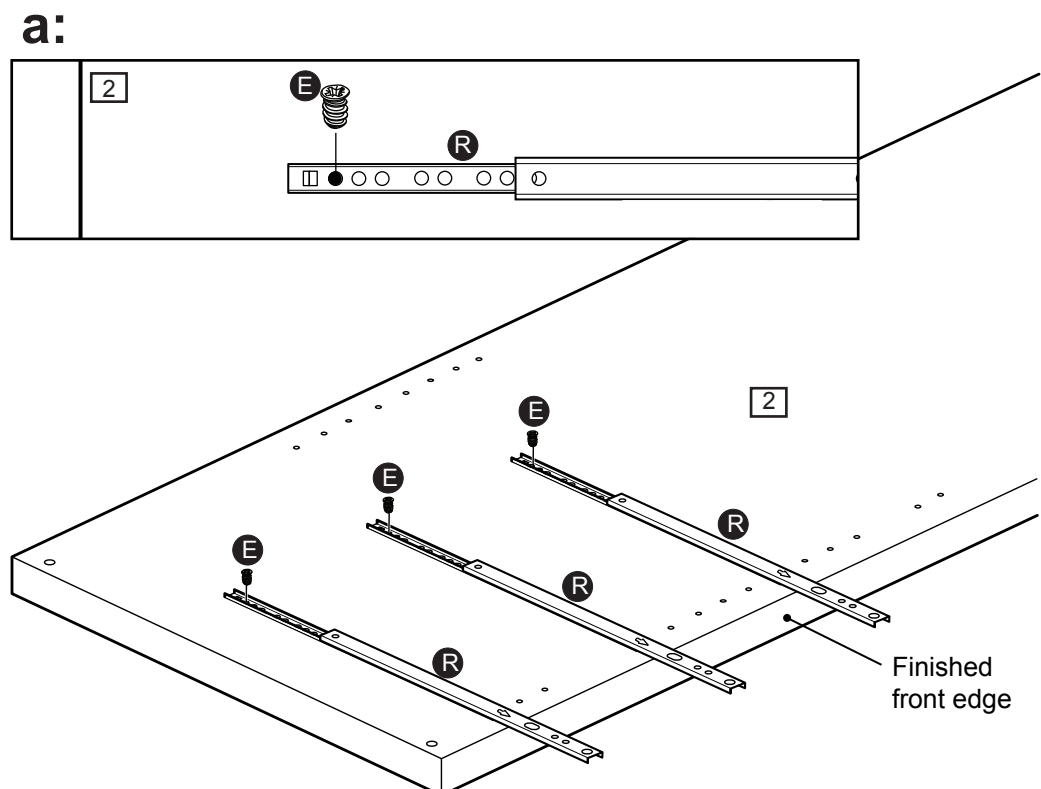
e: Fix drawer handle **T** onto drawer front **11** using 30mm screw **B**. Turn over drawer and slide drawerbasesupports **U** in corner as shown and fix them, using the attached screws.



Step 2

Attaching runners

a: Slide top of runners **R** forward and fix on right side **2** as shown using 10mm fixing screw drawer **E**.



Assembly Instructions

Step 2 - continued

b: Slide top of runners **R** back.

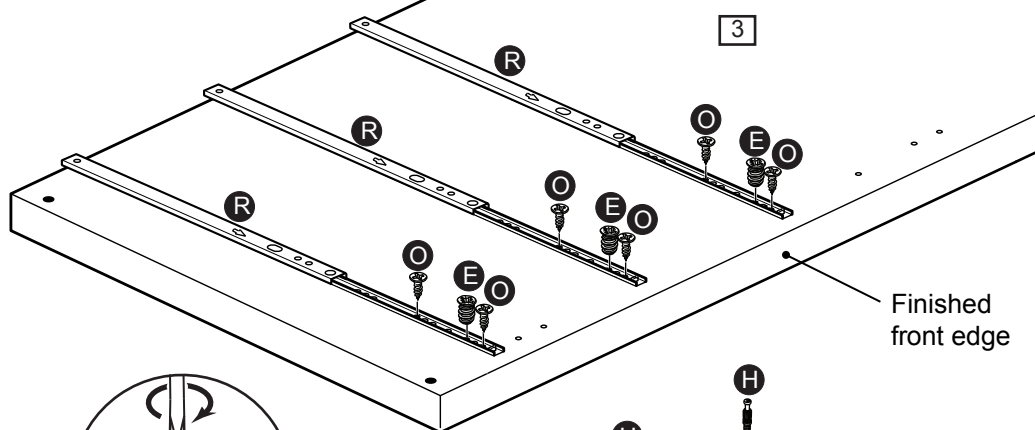
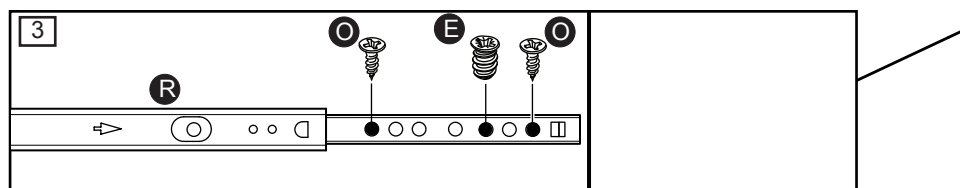
Fix through 3rd hole of runner **R** and pre-drilled holes of right side **2** using 10mm fixing screw drawer **E**.

Fix through 1st and 7th hole of runners **R** using 15mm screw **O**.

Note: there are no pre-drilled holes for 15mm screw **O**.

Repeat a and b on upright small **6**.

b



Step 3

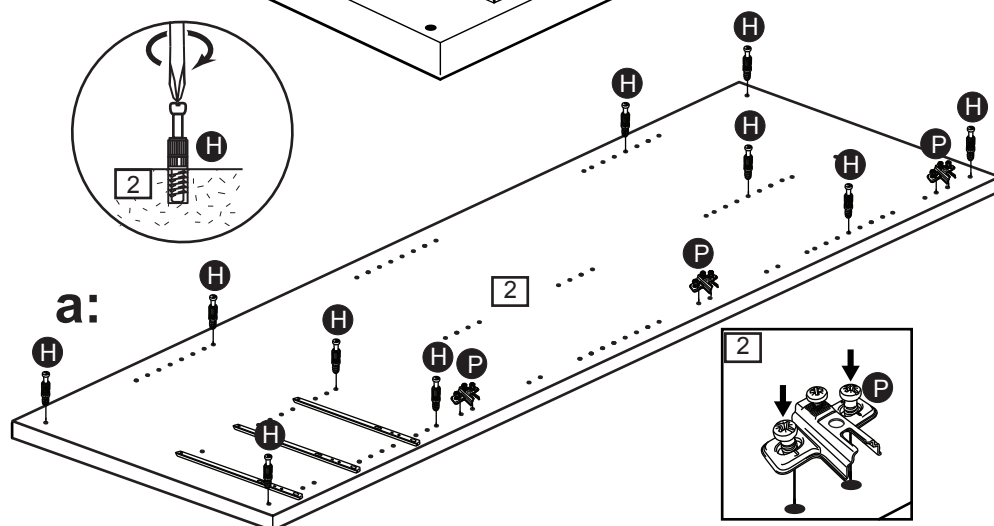
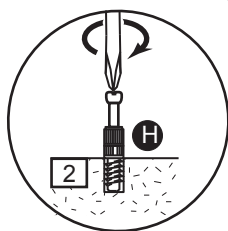
Insert fittings

a: Screw 24mm locking screw **H** into right side **2**.

Note: Insert 24mm locking screw **H** as far as shown.

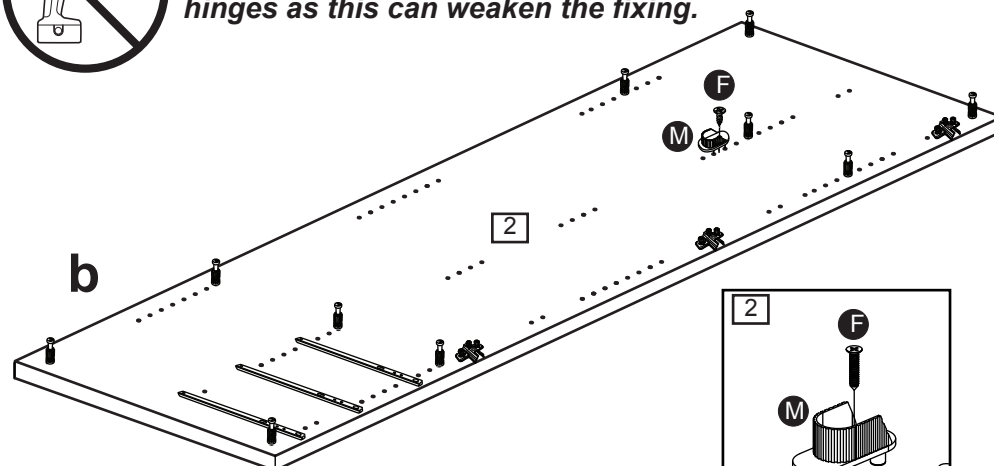
Do not over tighten.

Screw hinge back **P** onto right side **2**.



Warning: Do not use an electric screwdriver to attach the hinges as this can weaken the fixing.

b: Attach hanger rail support **M** using 12.5mm screw **F** onto right side **2**.



Assembly Instructions

Step 4

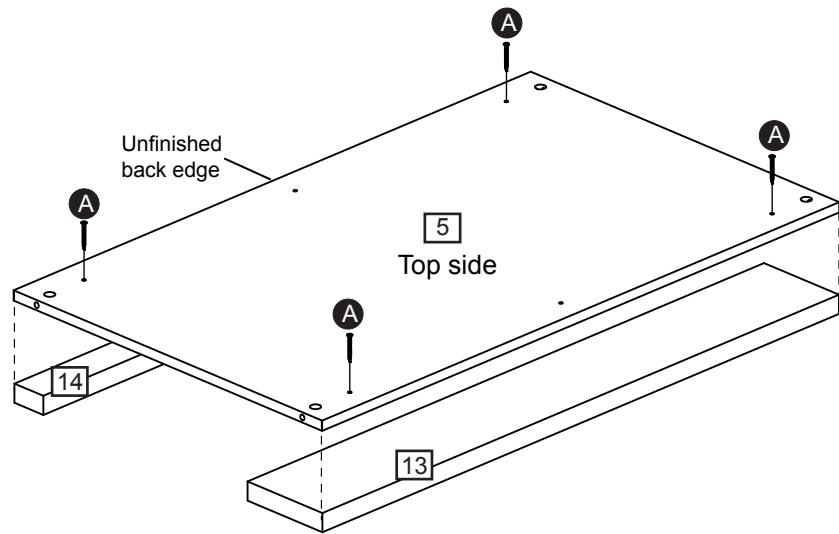
Attaching plinths

a: Align the sides of plinth front [13] with bottom [5] as shown and attach using 40mm screw **A**.

Note: there are no predrilled holes for 40mm screw **A**.

Note: top and bottom panels [5] are identical. Only prepare one of the panels at this stage. This will be the bottom panel

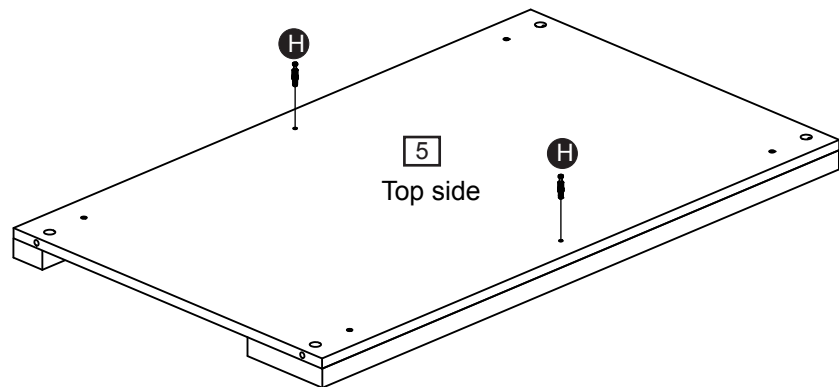
Repeat with plinth back [14].



Step 5

Insert locking screws

a: Screw 24mm locking screw **H** into bottom [5].



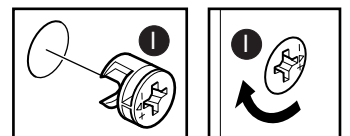
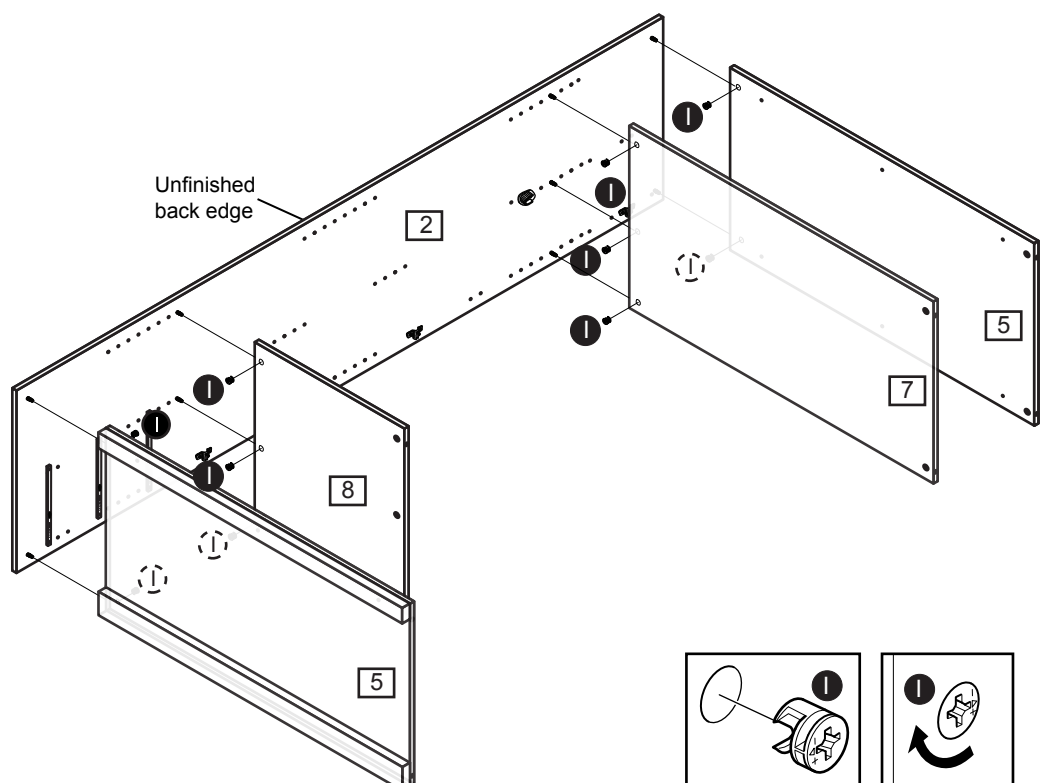
Step 6

Attaching panels

Position bottom [5], small horizontal [8], large horizontal [7] and top [5] onto right side [2].

Insert large locking nuts **1** into bottom [5], small horizontal [5], large horizontal [7] and top [5] where shown.

Use a screwdriver to turn locking nuts **1** clockwise to lock.

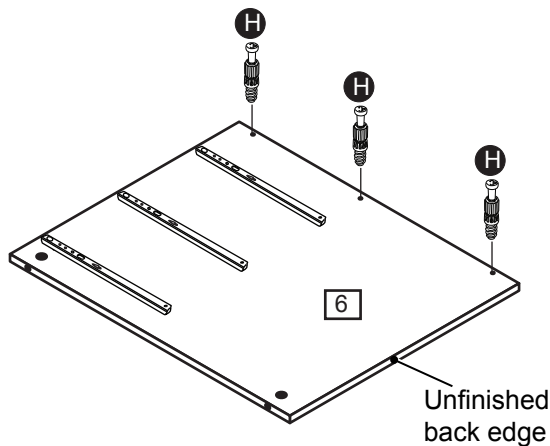


Assembly Instructions

Step 7

Insert locking screws

Screw 24mm locking screw **H** into upright small **6**.



Step 8

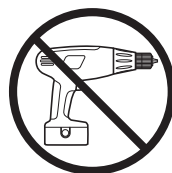
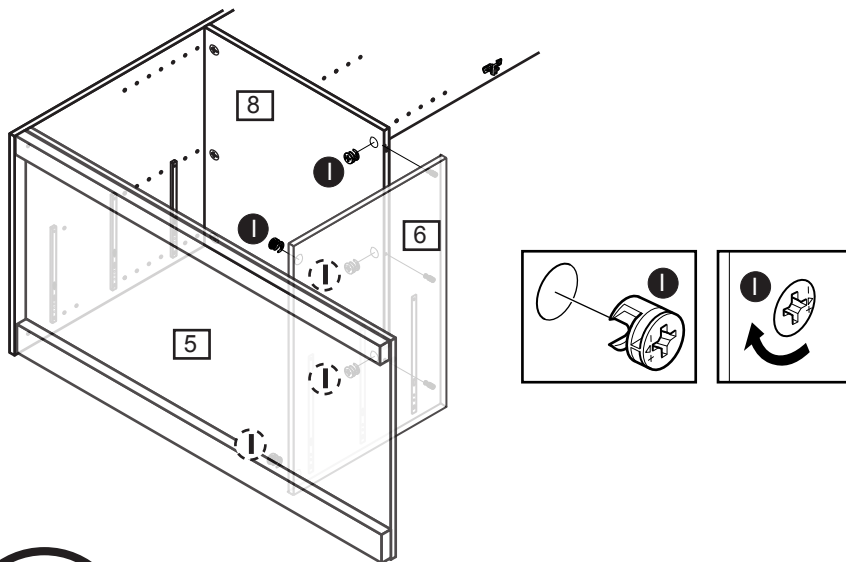
Attaching panels

Two people are needed here.

Position upright small **6** onto bottom **5** and small horizontal **8**.

Insert two Large locking nuts **1** into upright small **6** and small horizontal **8** where shown.

Use a screwdriver to turn locking nuts **1** clockwise to lock.



Warning: Do not use an electric screwdriver to attach the hinges as this can weaken the fixing.

Step 9

Insert fittings

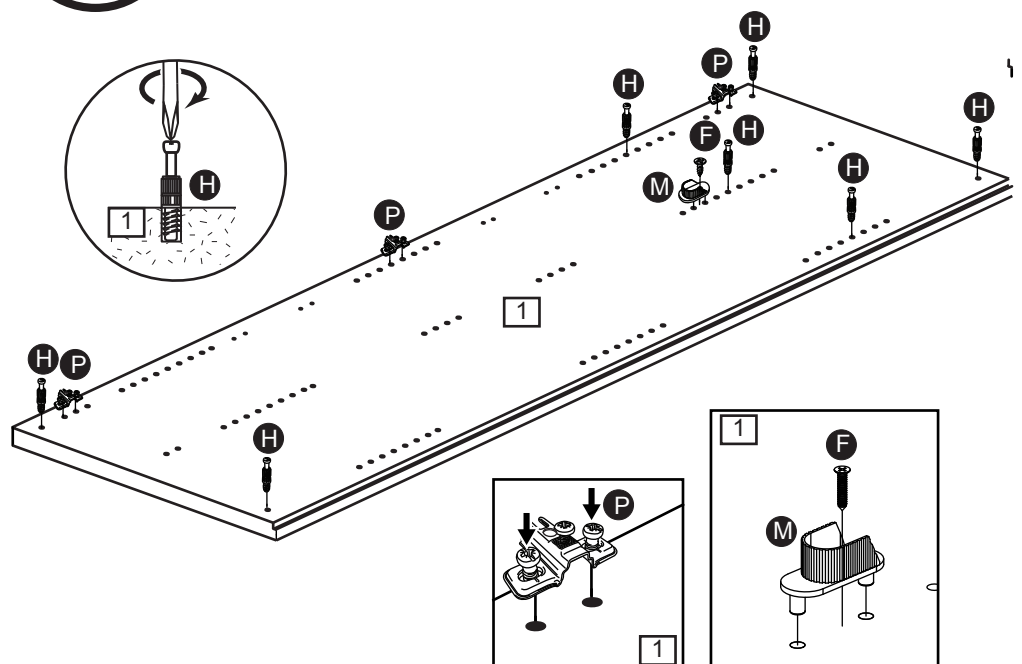
Screw 24mm locking screw **H** into left side **1**.

Note: Insert 24mm locking screw **H** as far as shown.

Do not over tighten.

Screw hinge back **P** onto upright **1**.

Attach hanger rail support **M** using 12.5mm screw **F** onto left side **2**.



Assembly Instructions

Step 10

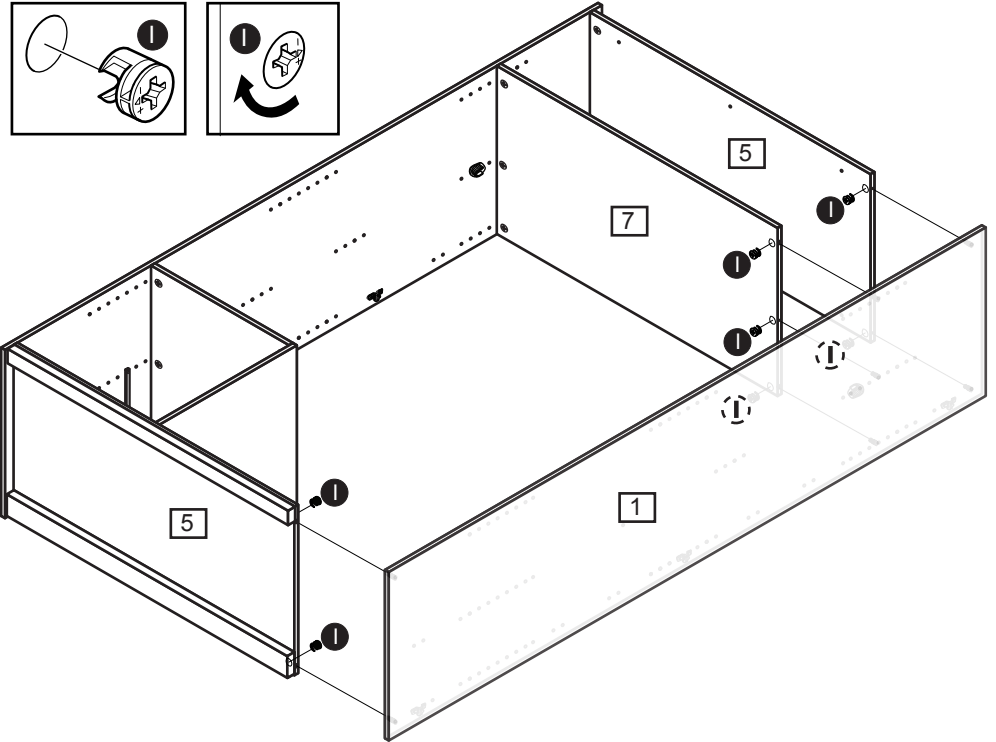
Attaching panel

Two people are needed here.

Position left side **1** onto bottom/top **5** and large horizontal **7**.

Insert large locking nuts **1** in top/bottom **5** and large horizontal **7**.

Use a screwdriver to turn locking nuts **1** clockwise to lock.



Step 11

Fitting back panel

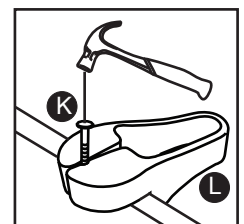
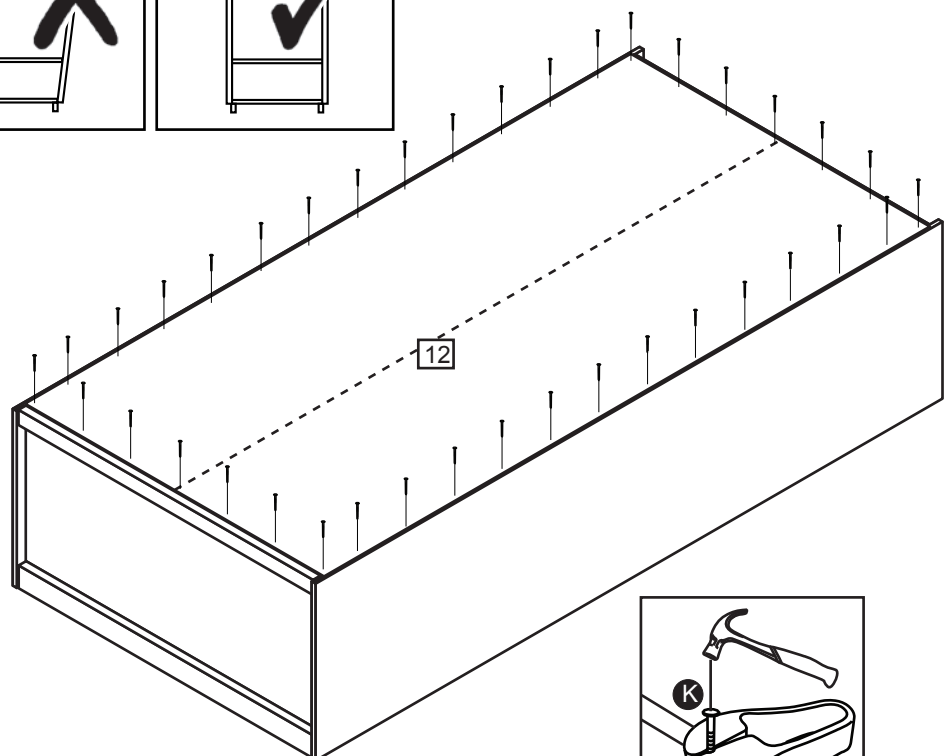
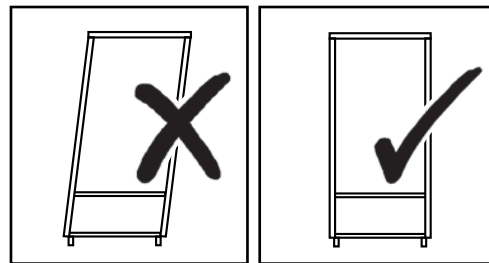
Attach foldy back **12** to back of wardrobe with the coloured surface facing the inside of the unit using nails **K** and.

Use nail holder **L** to hold the nails **K** vertical and at correct distance as you secure the foldy back **12**. Nails **K** should be spaced about 150mm apart.



Important:
Cabinet **MUST** be 'square' when back is attached.

Stand up the unit!
2 people required.



Assembly Instructions

Step 12

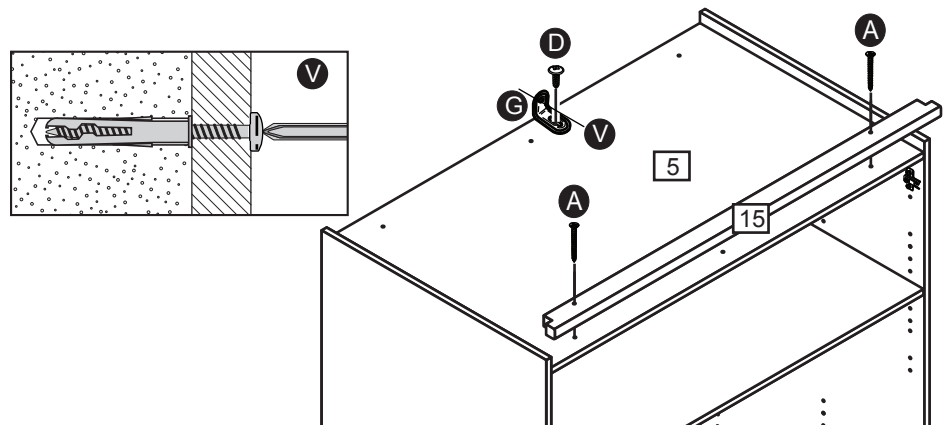
Attaching pelment and L-bracket

Position pelment [15] onto top [5] as shown, fix by using 40mm screws (A).

Position L-Bracket (G) onto top [5] as shown, fix by using 15mm screw (D).

Note: there are no pre-drilled holes for 15mm screw (D).

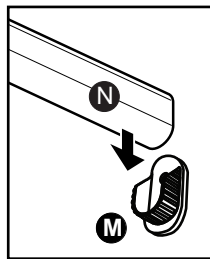
Use (V) to fix on the wall, please see last page for more information.



Step 13

Inserting hanger rails

Place hanger rail large (N) into hanger rail supports (M).



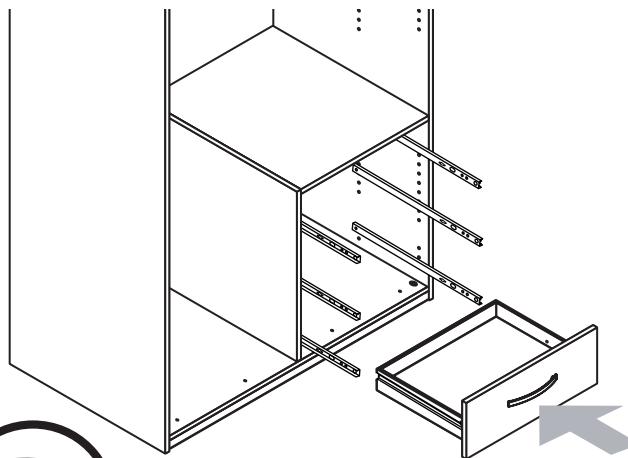
Step 14

Inserting drawers

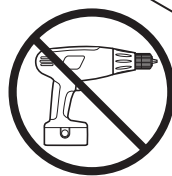
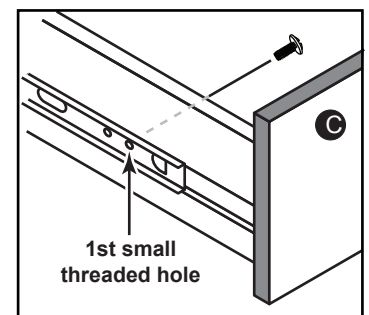
a: Pull runners out. Slide drawers onto runners so they butt up against back of drawer front.

b: Fix through drawer sides into runners using 9mm screws (C).

a:



b:



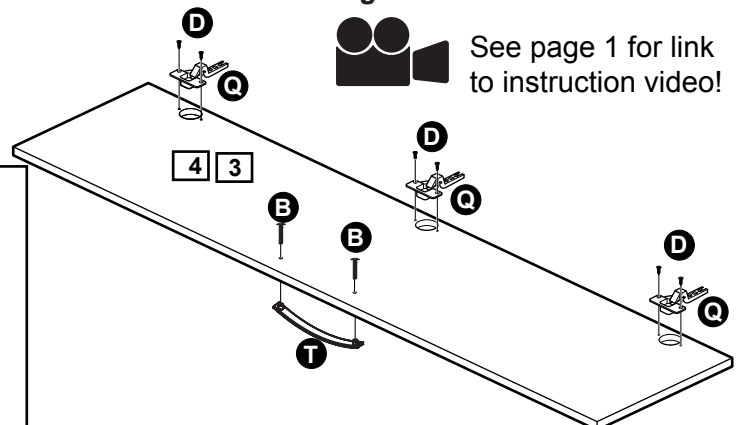
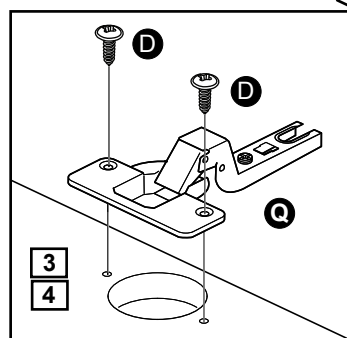
Warning: Do not use an electric screwdriver to attach the hinges as this can weaken the fixing.

Step 15

Fitting hinges to doors

Fix three hinge door (Q) to door [4] and mirror door small [3] using 15mm screws (D).

Attach door handles (T) using 30mm screws (B).



Assembly Instructions

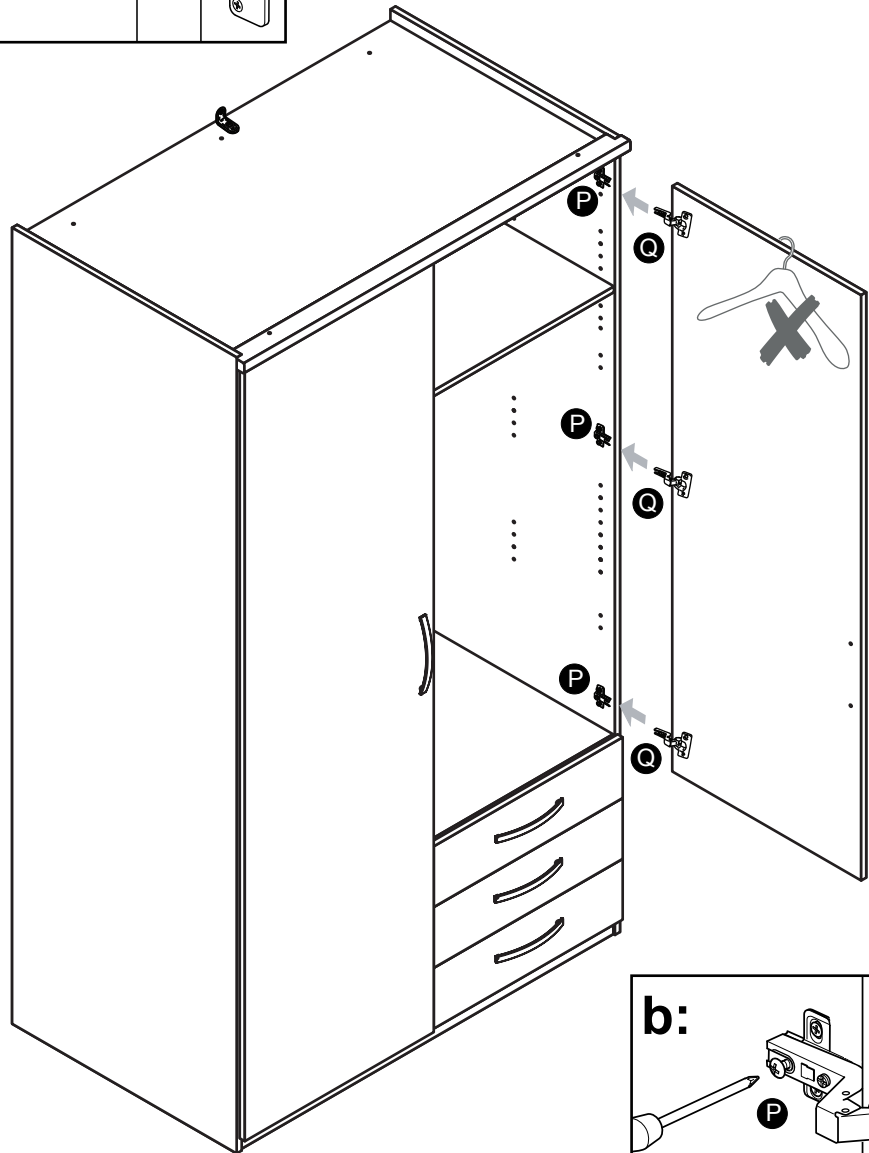
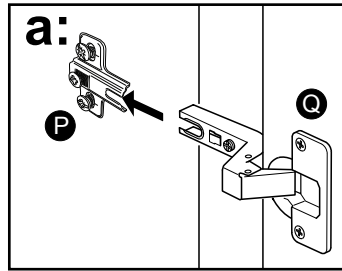
Step 16



See page 1 for link to instruction video!

Hanging doors

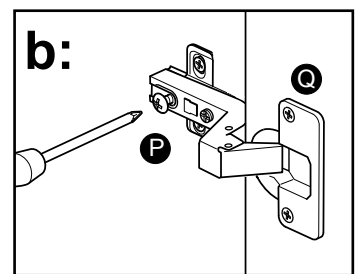
a: With help, slot hinge door **Q** onto hinge back **P**.



b: Tighten screw shown to lock hinges in position.

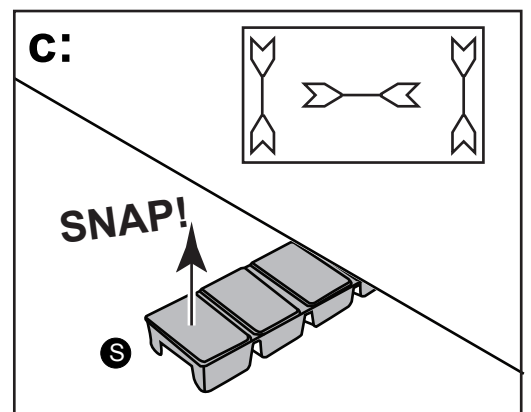
Repeat **a** and **b** for other door.

See 'Hinge adjustment' in step 17 if the doors need adjusting.



c: Before adjusting the doors, use a spirit level to check if the base of this unit is level front-to-back and side-to-side in the three positions shown.

Use pegs **S** to square your unit. Knock peg **S** in, as far as you require, under the ends of the unit and then snap off flush with the panel.



AssemblyInstructions

Step 17

Hinge adjustment

a: To move doors up or down: loosen screws shown and move doors to suit.

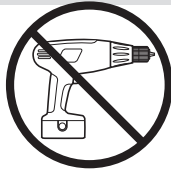
Once doors are aligned, re-tighten.

b: To move doors in or out: loosen screw shown and move doors to suit.

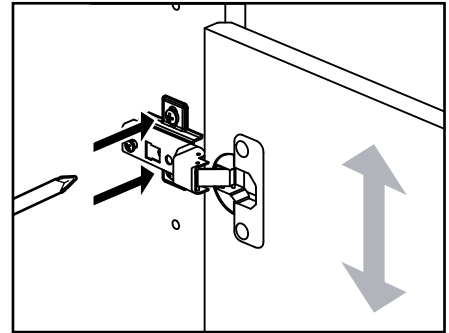
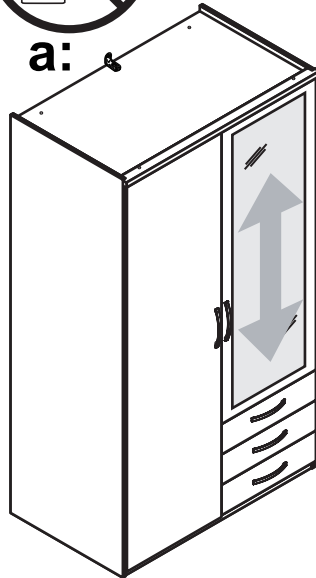
Re-tighten screws.

c: To move doors left or right: loosen screw shown and move doors to suit.

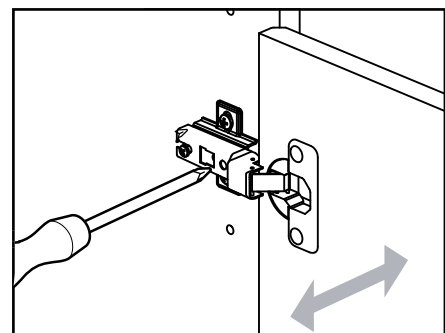
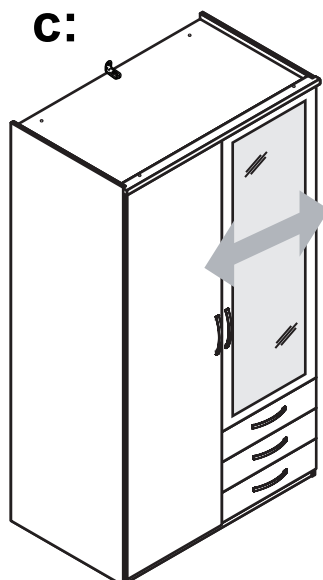
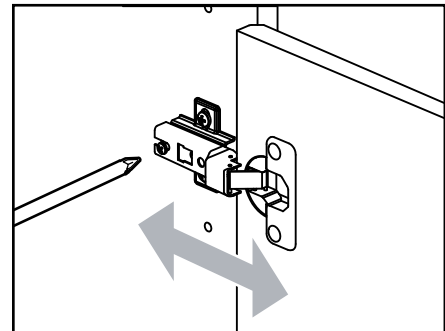
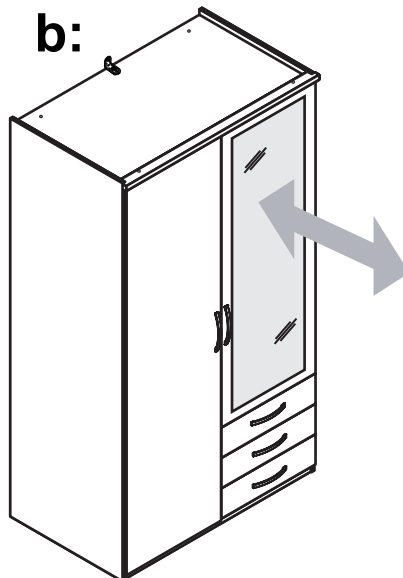
Re-tighten screws.



Warning: Do not use an electric screwdriver to attach the hinges as this can weaken the fixing.



See page 1 for link to instruction video!



A Guide to - Wall Mounting & Fixings

Important note:

If plastic wall plugs are supplied with your product:



- these are only suitable for use in masonry walls.

If you are in any doubt about the correct wall plugs for your wall, seek professional advice.


Failure of the product due to using incorrect fixings is the responsibility of the installer.



Important: When drilling into walls always check that there are no hidden wires or pipes etc.

Make sure that the screws and wall plugs being used are suitable for supporting your unit. Consult a qualified tradesperson if you are unsure.

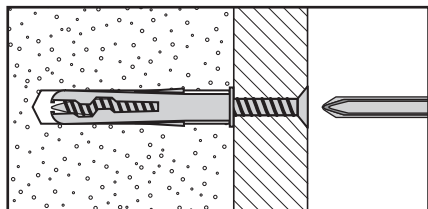
Hints:

- 1: **General rule:**  Always use a larger screw and wall plug if you are not sure.
- 2: Ensure you use the recommended drill bit to match the wall plug and hole size.
- 3: Ensure you drill the hole horizontally, do not force the drill or enlarge the hole.
- 4: Take extra care when drilling high walls, ceilings and ceramic tiles. Ensure wall plugs are inserted beyond the thickness of the ceramic tiles to avoid the tiles splitting or cracking.
- 5: Ensure wall plugs are well fitted and are a tight fit in the drilled hole.

Types of walls

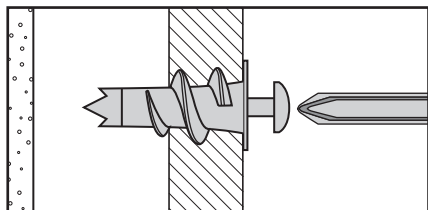
You can use one of the following types of wall plug if your walls are made of brick, breeze block, concrete, stone or wood.

No.1 "General Purpose" wall plug



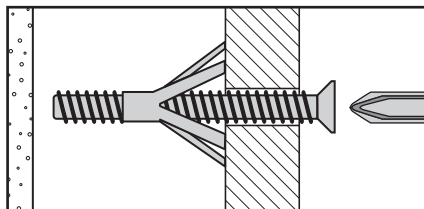
Generally aerated blocks should not be used to support heavy loads, use a specialist fitting in this case. For light loads, general purpose wall plugs can be used.

No.2 "Plasterboard" wall plug



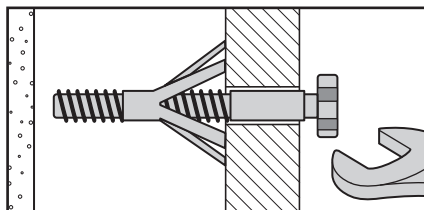
For use when attaching light loads on to plasterboard partitions.

No.3 "Cavity Fixing" wall plug



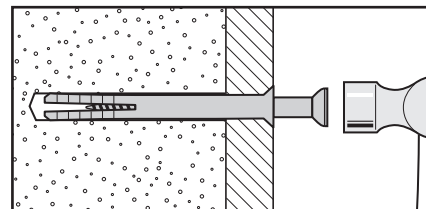
For use with plasterboard partitions or hollow wooden doors.

No.4 "Cavity Fixing-Heavy Duty" wall plug



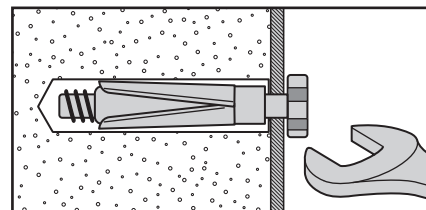
For use when fitting or supporting heavy loads such as shelving, wall cabinets and coat racks.

No.5 "Hammer Fixing" wall plug



For use with walls stuck with plasterboard. The hammer fixing allows it to be fixed to the wall rather than the plasterboard. Always check the fixing is secure to the retaining wall.

No.6 "Shield Anchor" wall plug Heavy loads



For use with heavier loads such as TV & HiFi speakers and satellite dishes etc.



Care & Maintenance

Safety: Always check the fitting and location to ensure your safety in and around the home.

Fitting: From time to time check the fitting to ensure the wall plugs or screws do not become loose.