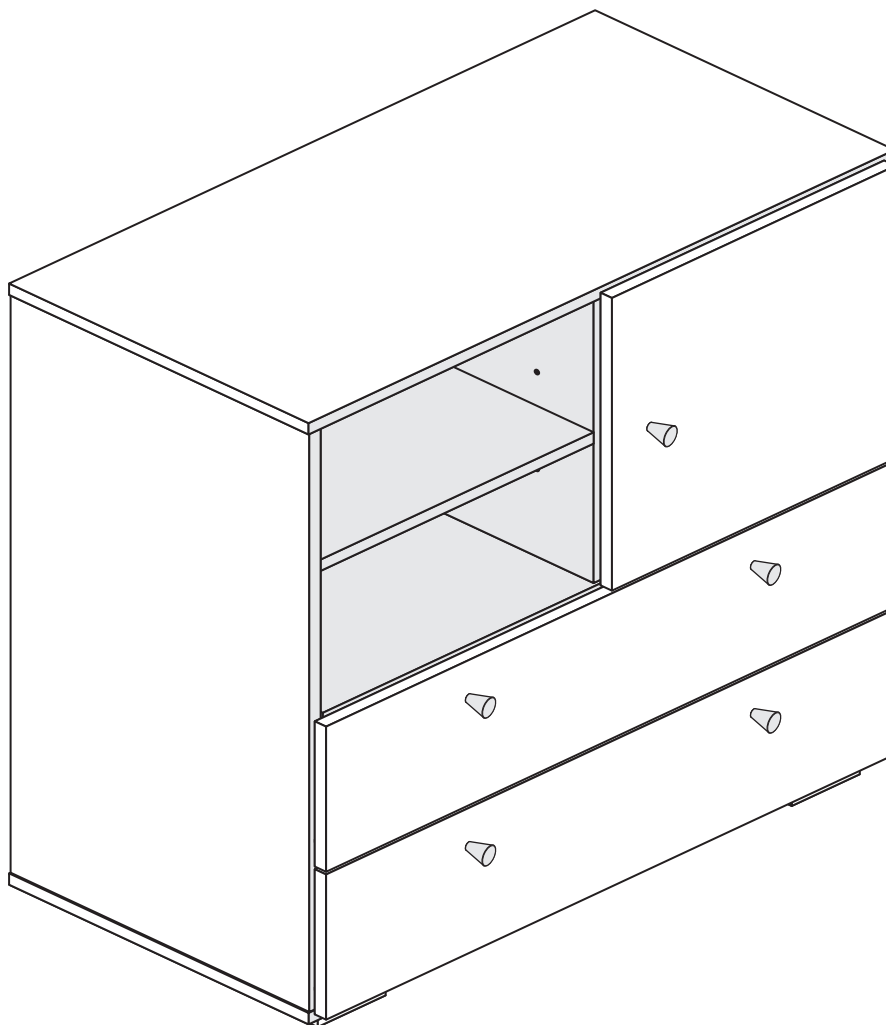


Zest - Media Unit

Assembly Instructions - Please keep for future reference

267/8454



Dimensions

Width - 77.5cm

Depth - 40cm

Height - 82cm



**MADE IN
BRITAIN**

Important - Please read these instructions fully before starting assembly

If you need help or have damaged or missing parts, call the **Customer Helpline: 08456 400800**



Safety and Care Advice

Important - Please read these instructions fully before starting assembly

- **Warning:** This unit weighs approximately 30kgs. Please lift with care.
- Check you have all the components and tools listed on pages 1, 2 and 3.
- Remove all fittings from the plastic bags and separate them into their groups.
- Keep children and animals away from the work area, small parts could choke if swallowed.
- Parts of the assembly will be easier with 2 people.

- Make sure you have enough space to layout the parts before starting.
- Do not stand or put weight on the product, this could cause damage.
- Assemble the item as close to its final position (in the same room) as possible.
- Assemble on a soft level surface to avoid damaging the unit or your floor (use opened out unit carton).



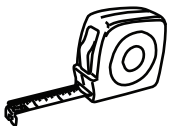
• We do not recommend the use of power drill/drivers **for inserting screws**, as this could damage the unit. Only use hand screwdrivers.

- **Safety note:** It is recommended that this unit is secured to a wall using the bracket supplied.
- Dispose of all packaging carefully and responsibly.

Care and maintenance

- Only clean using a damp cloth and mild detergent, do not use bleach or abrasive cleaners.
- From time to time check that there are no loose screws on this unit.
- This product should not be discarded with household waste. Take to your local authority waste disposal centre.

Tools required



Rule



Cross-head screwdriver



Scissors



Hammer



Eye protection (when using a hammer or drill)



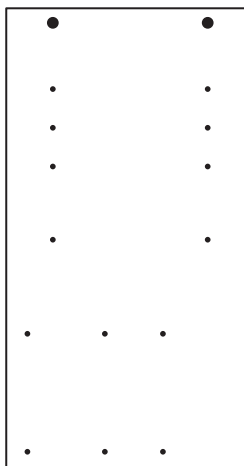
Electric drill (do not use for fitting screws)

Note: If required the next page can be cut out and used as reference throughout the assembly. Keep this page with these instructions for future reference.

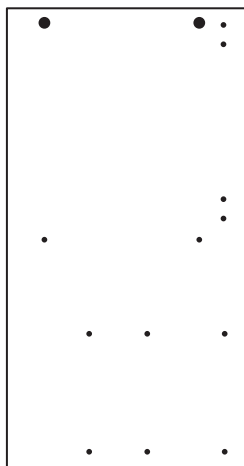
Components - Panels

If you have damaged or missing components, call the **Customer Helpline: 08456 400800** quoting the reference numbers below

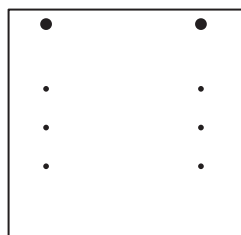
Please check you have all the panels listed below



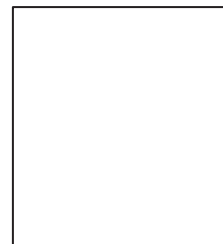
1 Left Side (D2960A)
(765 x 395mm)



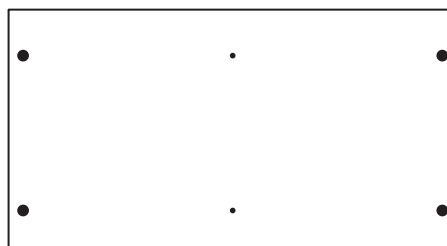
2 Right Side (D2961A)
(765 x 395mm)



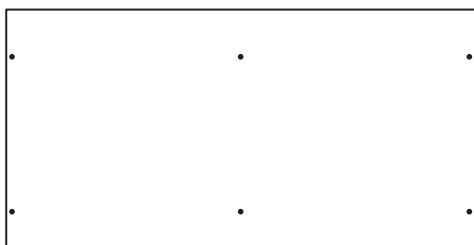
3 Upright (D2962A)
(375 x 393mm)



4 Loose Shelf (D2964A)
(362 x 392mm)



5 Horizontal (D2980A)
(741 x 394mm)



6 Top (D2959A)
(775 x 396mm)



8 Drawer Front (D2956A)
(753 x 192mm) x 2



7 Base (D2955A)
(775 x 395mm)



9 Left Drawer Side (W370-124LH)
(370 x 124mm) x 2



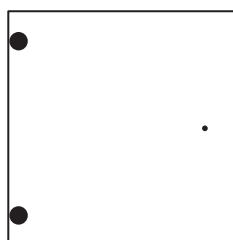
10 Right Drawer Side (W370-124RH)
(370 x 124mm) x 2



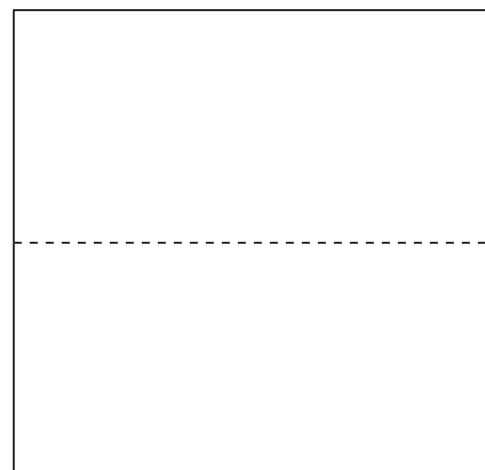
11 Drawer Back (W693-124)
(693 x 124mm) x 2



12 Drawer Base (T702-367)
(700 x 367mm) x 2



13 Door (D2965A)
(387 x 375mm)



14 Back (X791-769)
(791 x 769mm)

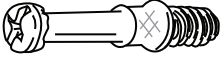










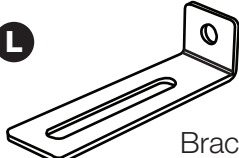
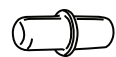
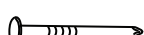
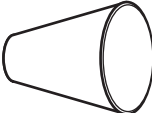


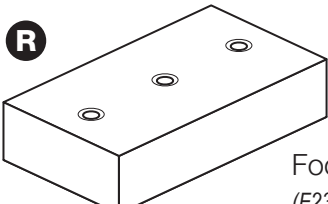



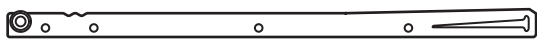



Components - Fittings

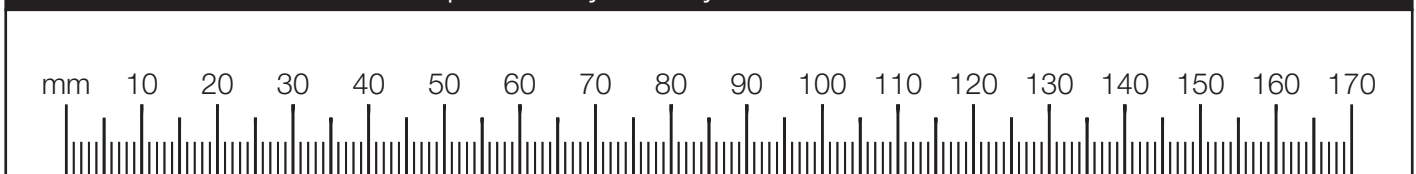
If you have damaged or missing components, call the **Customer Helpline: 08456 400800** quoting the reference numbers below

Please check you have all the fittings listed below

Note: The quantities below are the correct amount to complete the assembly. In some cases more fittings may be supplied than are required.

<p>A </p> <p>Metal dowel (F901) x 14</p>	<p>B </p> <p>Large locking nut (F900) x 10</p>	<p>C </p> <p>Small locking nut (F3) x 4</p>
<p>D </p> <p>40mm Screw (F910) x 6</p>	<p>E </p> <p>38mm Screw (F81) x 8</p>	<p>F </p> <p>32mm Screw (F72) x 5</p>
<p>G </p> <p>13mm Screw (F52) x 12</p>	<p>H </p> <p>13mm Screw (F63) x 16</p>	<p>I </p> <p>13mm Screw (F79) x 1</p>
<p>J </p> <p>Wedgefix (F639) x 8</p>	<p>K </p> <p>Knock-in Peg (F171GY) x 8</p>	<p>L </p> <p>Bracket (F327) x 1</p>
<p>M </p> <p>Shelf stud (F110) x 4</p>	<p>N </p> <p>Nail (F51) x 20</p>	<p>O </p> <p>Handle (F894GRN) x 5</p>
<p>P </p> <p>Hinge Plate (F521) x 2</p>	<p>Q </p> <p>Hinge (F520) x 2</p>	<p>R </p> <p>Foot (F233) x 4</p>
<p>S a  L Runner (F159) x 2  350mm long</p> <p>S b  R Runner (F160) x 2</p> <p>S c  L Runner (F161) x 2</p> <p>S d  R Runner (F162) x 2</p>		

Ruler - Use this ruler to help correctly identify the screws



Assembly Instructions

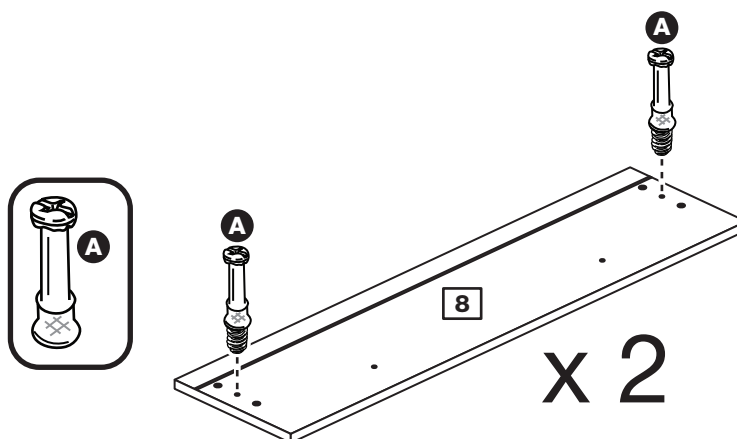
If you have damaged or missing components, call the
Customer Helpline: 08456 400800 quoting the reference
numbers below

Step 1

Prepare the 2 drawer fronts

Screw 2 metal dowels **A** into each of the 2 drawer fronts **8**.

Note: Tighten the metal dowels up fully against the panels.

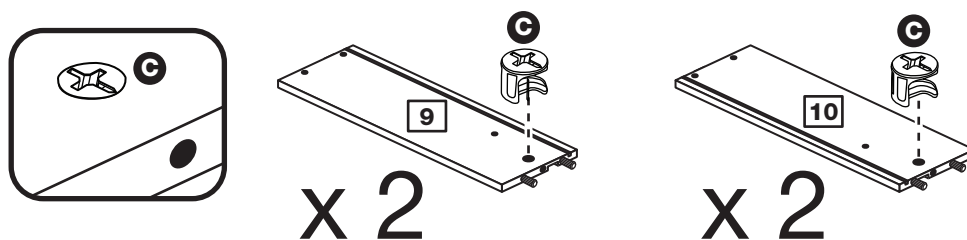


Step 2

Prepare the drawer sides

Insert a small locking nut **C** into the hole shown on the left drawer side **9** and the right drawer side **10**.

Note: The arrow on the locking nut **must** point towards the hole in the edge of the panel.



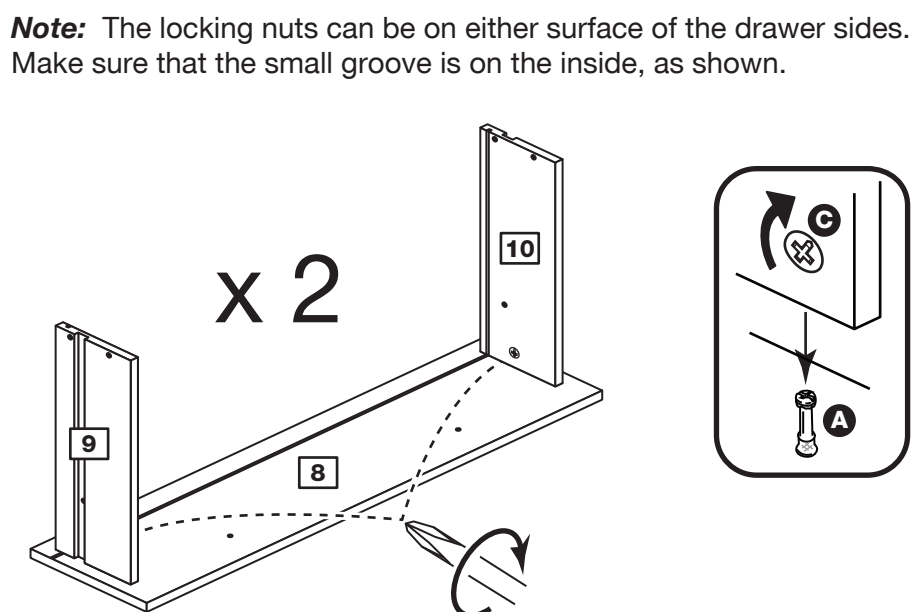
Step 3

Attach the drawer sides to the drawer fronts

Push the left drawer sides **9** and right drawer sides **10** onto the back of the drawer fronts **8**.

Turn the small locking nuts **C** on the left drawer side **9** and right drawer side **10**.

Note: Turn the locking nuts **C** clockwise to secure panels - more than 1/2 a turn.

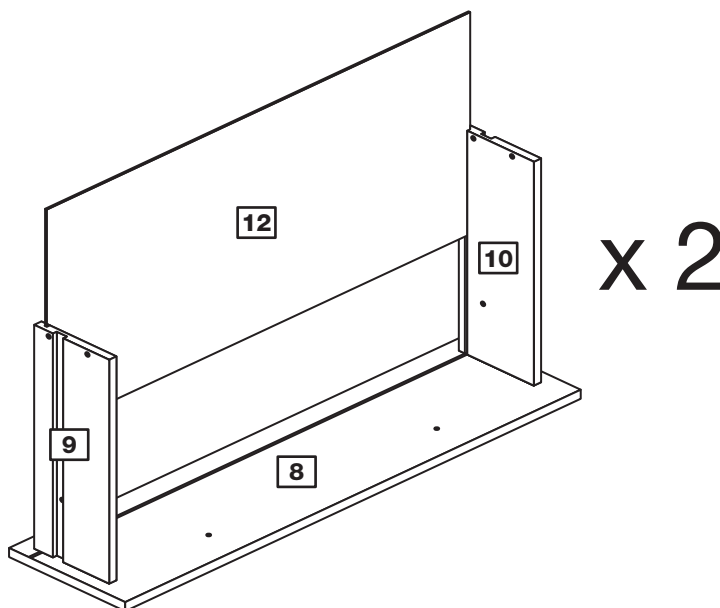


Assembly Instructions

Step 4

Fit the drawer base

Slide the drawer base **12** down the grooves in the drawer sides **9** and **10** and down into the groove in the drawer front **8**.

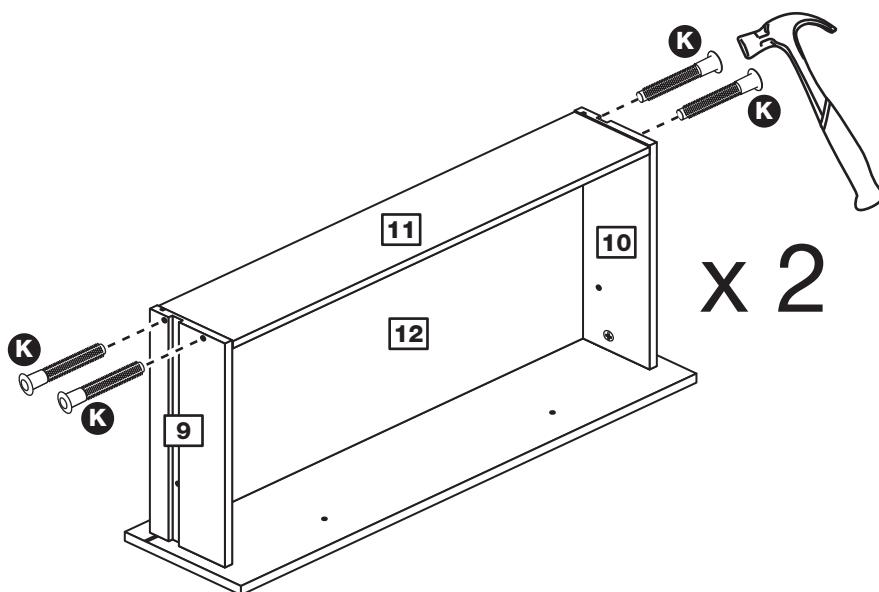


Step 5

Fit the drawer back

Fit the drawer back **11** between the drawer sides **9** and **10**. Make sure that the drawer base **12** fits into the groove in the drawer back **11**.

Hold the drawer back **11** in position and tap the knock-in pegs **K** through the holes in the drawer sides **9** and **10**.

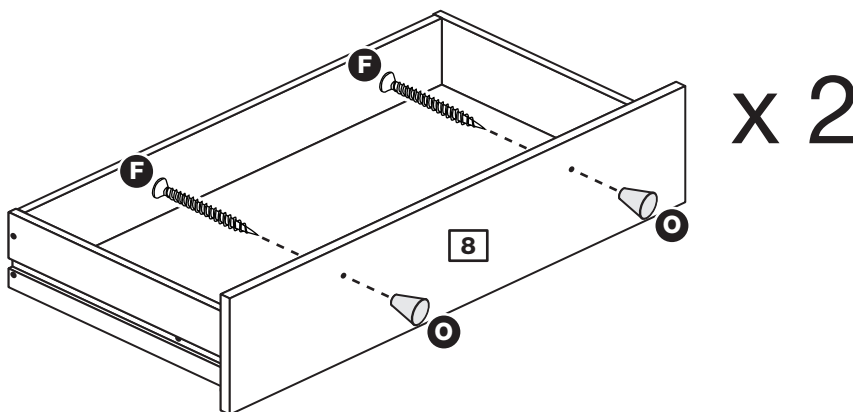


Step 6

Attach the handles

Attach 2 handles **O** to each of the drawer fronts **8** using screws **F**.

Note: Do not overtighten the screw.

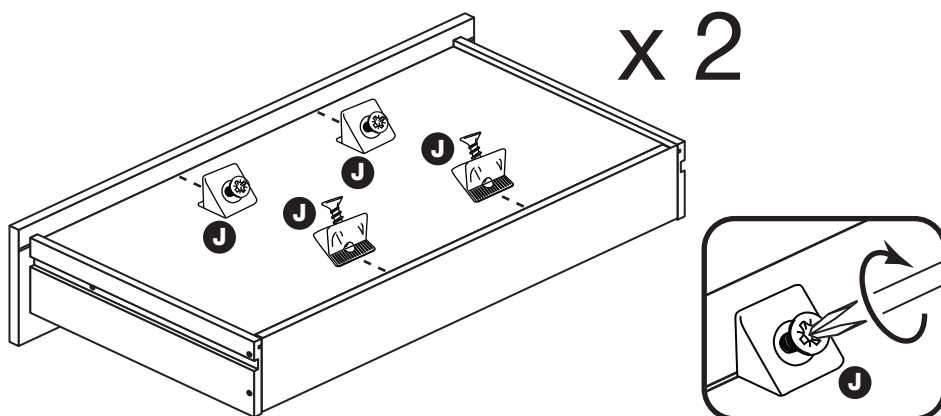


Assembly Instructions

Step 7

Fit the wedgexes

Turn the drawer assemblies over and slide 4 wedgexes **J** into the front and back grooves, as shown, and tighten up the screws.

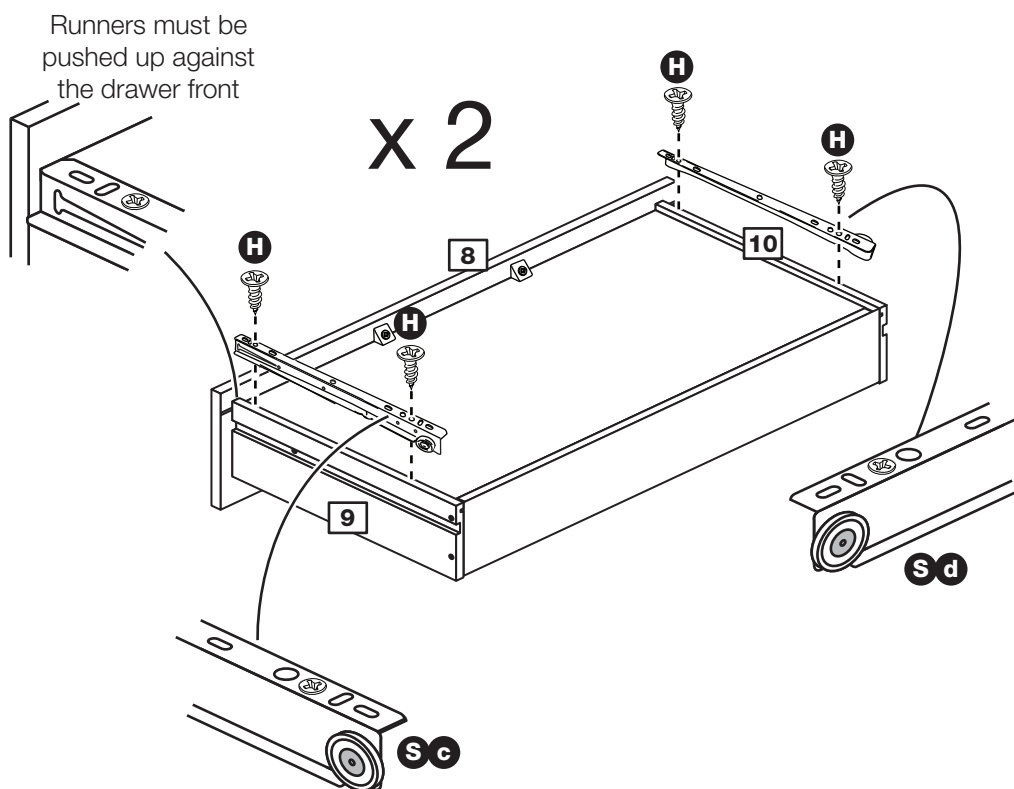


Step 8

Fit runners to the drawers

Fit the runner **S_c** to the bottom edge of the left drawer side **9**, as shown, making sure that it is pushed up against the back of the drawer front **8**. Use a bradawl to mark the fixing positions, then secure with 2 screws **H**.

Fit the runner **S_d** to the bottom edge of the right drawer side **10** using the same method.



Assembly Instructions

Step 9

Prepare the right side

Screw 2 metal dowels **A** into the right side **2**.

Insert 2 large locking nuts **B** into the right side **2**.

Note: The arrow on the locking nut **must** point towards the hole in the edge of the panel.

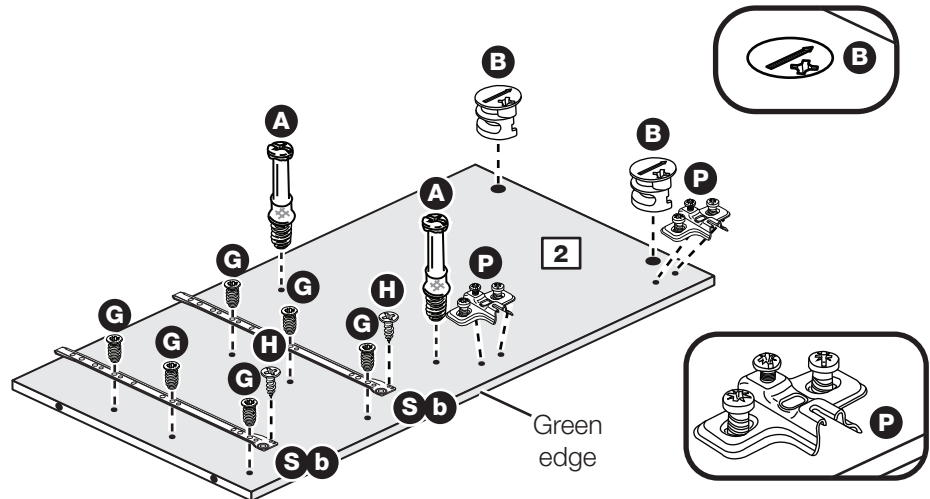
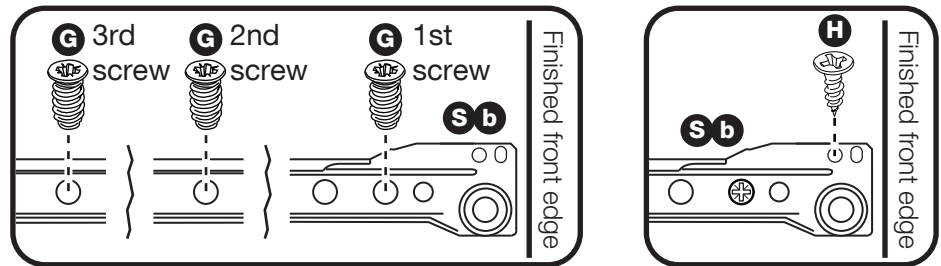
Fit 2 hinge plates **P** to the right side **2** making sure that the slot is facing towards the finished front edge.

Fit 2 runners **S b** to the right side **2**.

The 1st screw **G** uses the 2nd hole in from the front of the runner.

The 2nd and 3rd screws **G** use the holes that line up with the other panel holes.

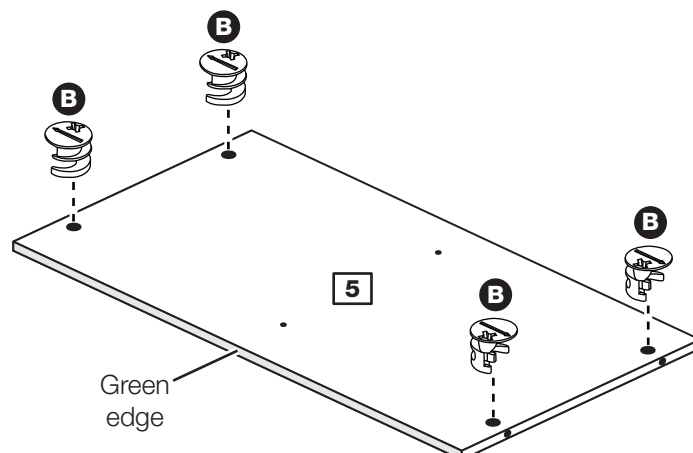
Fit a screw **H** into the 2nd hole in at the top of the runner **S b**.



Step 10

Prepare the horizontal

Insert 4 large locking nuts **B** into the horizontal **5**.



Assembly Instructions

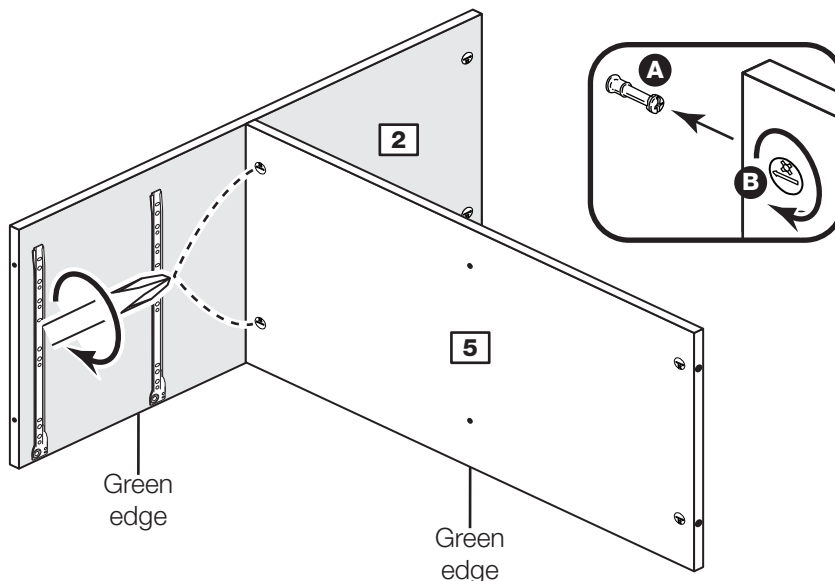
Step 11

Fit the horizontal to the right side

Push the horizontal **5** onto the right side **2**.

Use a screwdriver to tighten the 2 large locking nuts **B** fitted to the horizontal **5**.

Note: Turn the large locking nuts **B** as far as they will go - more than 1/2 a turn.



Step 12

Prepare the left side

Screw 2 metal dowels **A** into the left side **1**.

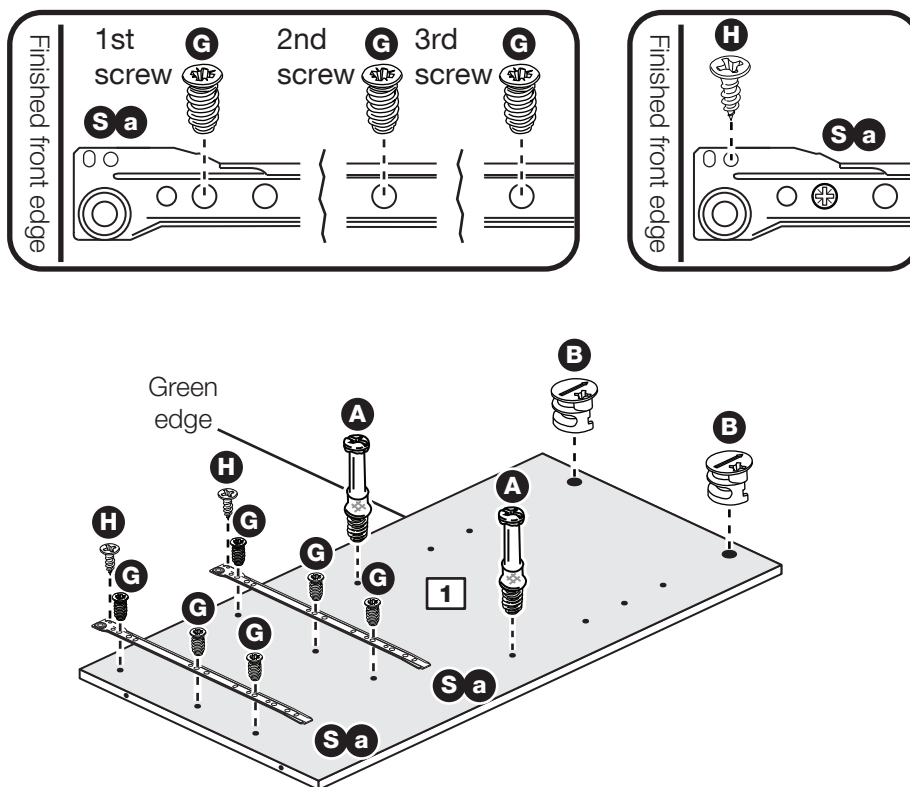
Insert 2 large locking nuts **B** into the left side **1**.

Fit 2 runners **S a** to the left side **1**.

The 1st screw **G** uses the 2nd hole from the front of the runner.

The 2nd and 3rd screws **G** use the holes that line up with the other panel holes.

Fit a screw **H** into the 2nd hole in at the top of the runner **S a**.



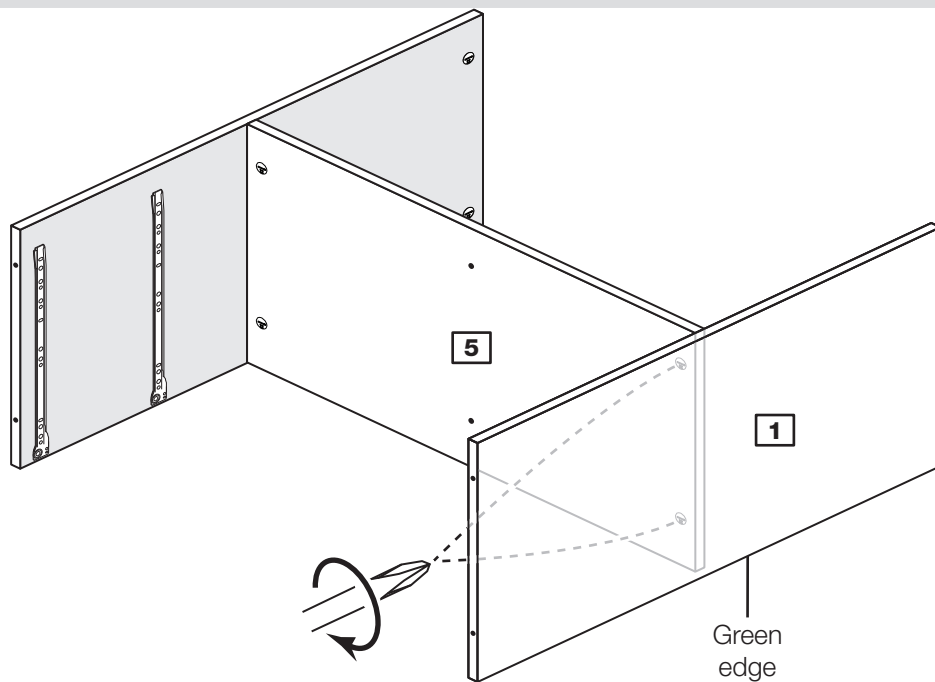
Assembly Instructions

Step 13

Fit the left side

Push the left side **1** onto the horizontal **5**.

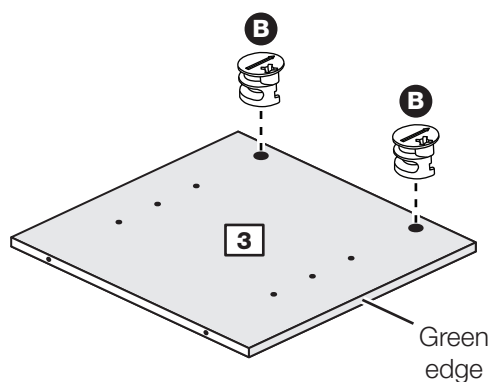
Use a screwdriver to tighten the 2 large locking nuts **B** fitted to the horizontal **5**.



Step 14

Prepare the upright

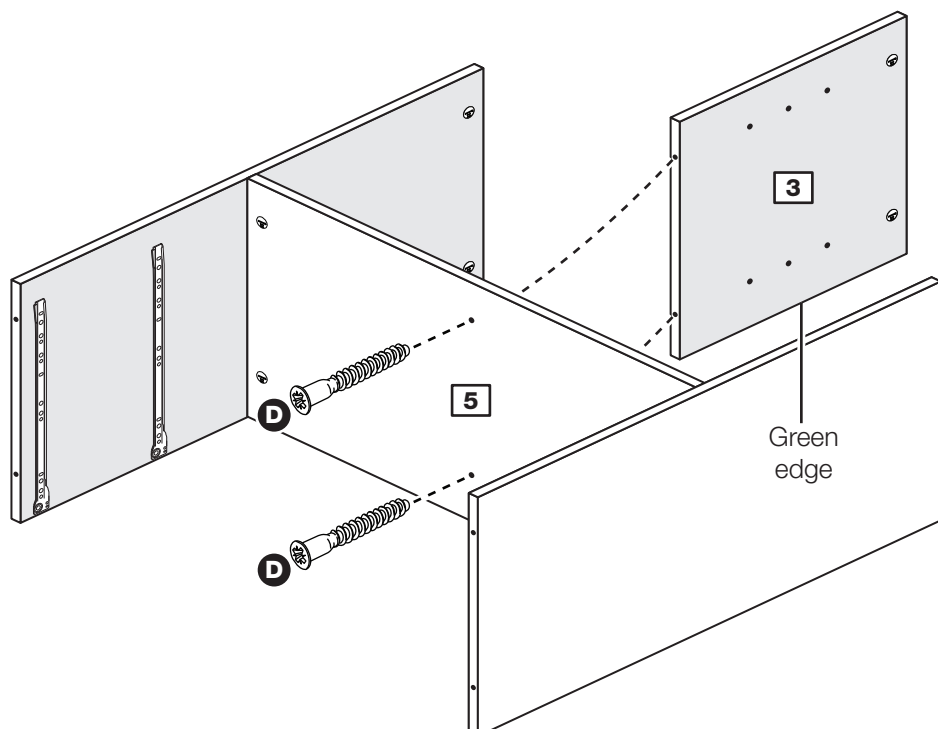
Insert 2 large locking nuts **B** into the upright **3**.



Step 15

Fit the upright

Fit the upright **3** onto the horizontal **5** using 2 screws **D**.



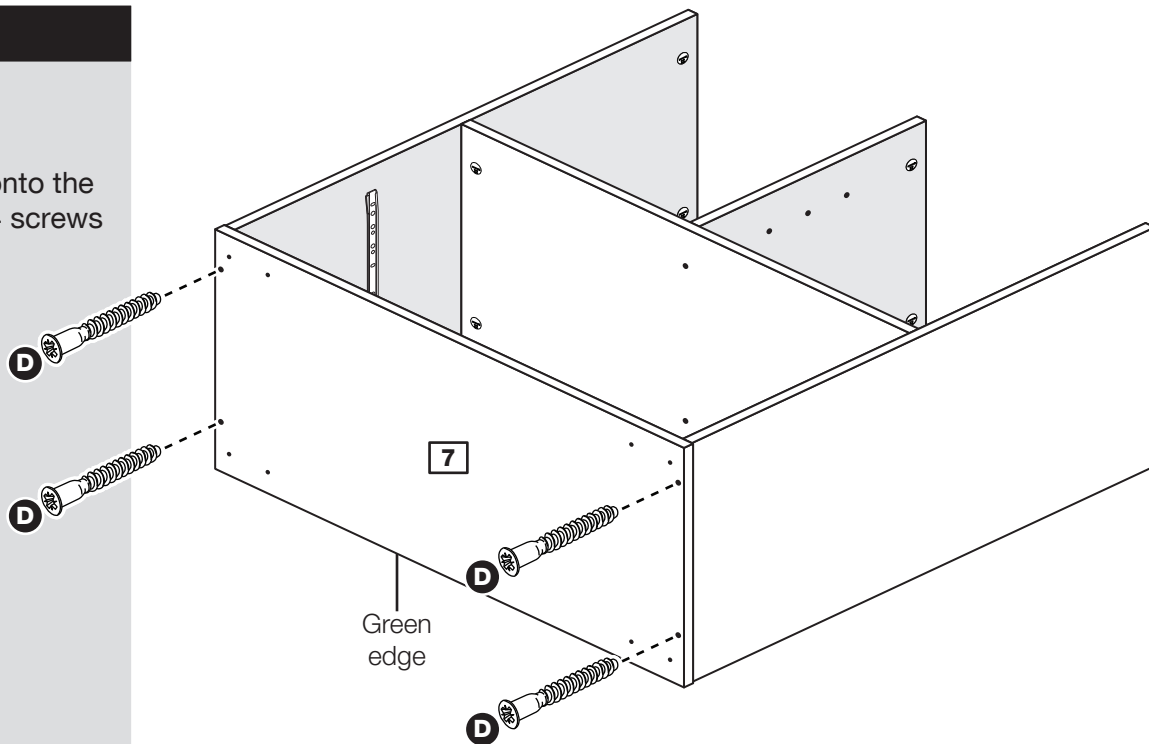
Assembly Instructions

Step 16

Fit the base

Fit the base **7** onto the assembly using 4 screws **D**.

D.

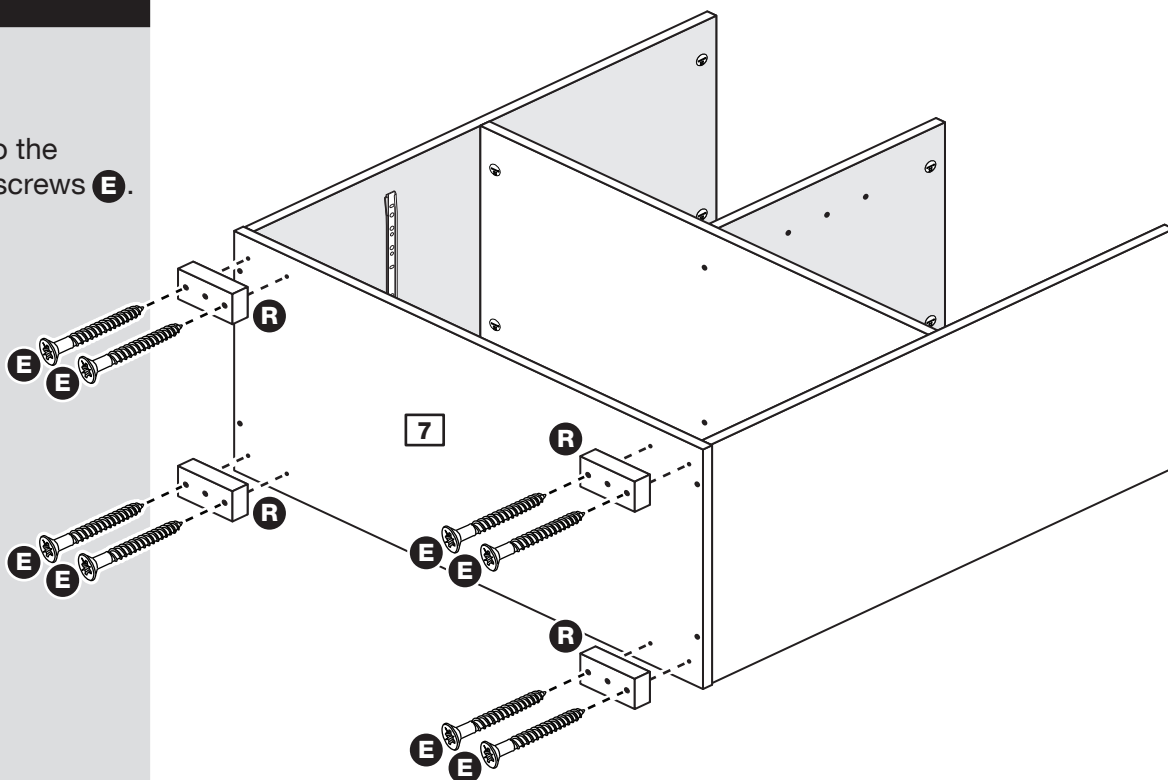


Step 17

Fit the feet

Fit the feet **R** to the base **7** using screws **E**.

E.



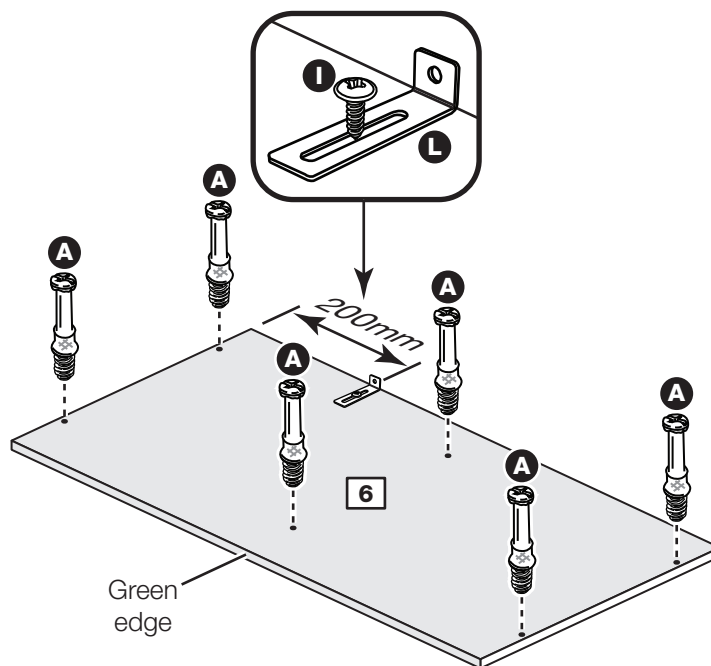
Assembly Instructions

Step 18

Prepare the top

Screw 6 metal dowels **A** into the top **6**.

Fix the bracket **L** to the top **6**, 200mm in from the side, as shown and flush to the back edge using screw **I**.

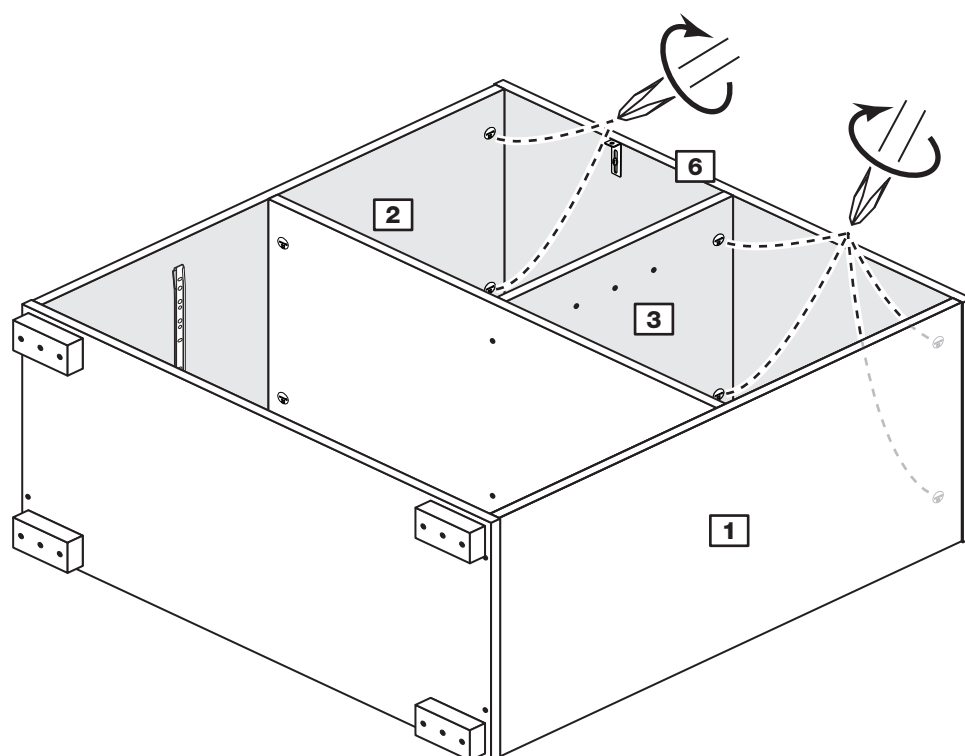


Step 19

Fit the top

Push the top **6** onto the assembly.

Use a screwdriver to tighten the 6 large locking nuts **B** fitted to the left side **1**, right side **2** and upright **3**.



Assembly Instructions

Step 20

Fit the back

a: Square up the unit by making sure that measurement **x** to **x** equals **y** to **y**.

b: Place the back **14** onto the unit.

Nail **N** around the outside edges of the back **14**.

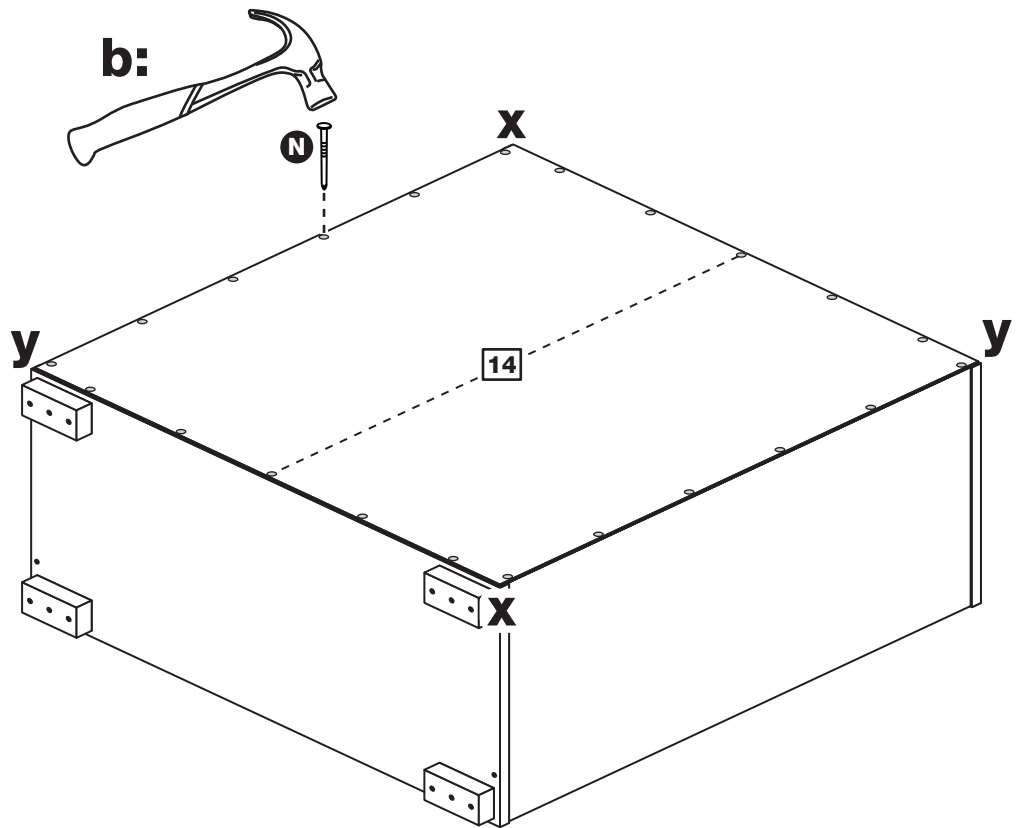
Note: Nails should be spaced about 150mm apart.

Stand the unit up for the next step.



Warning: The unit is heavy. Lift with care.

a: The measurement from top corner X to bottom corner X must be equal to the measurement from top corner Y to bottom corner Y



Step 21

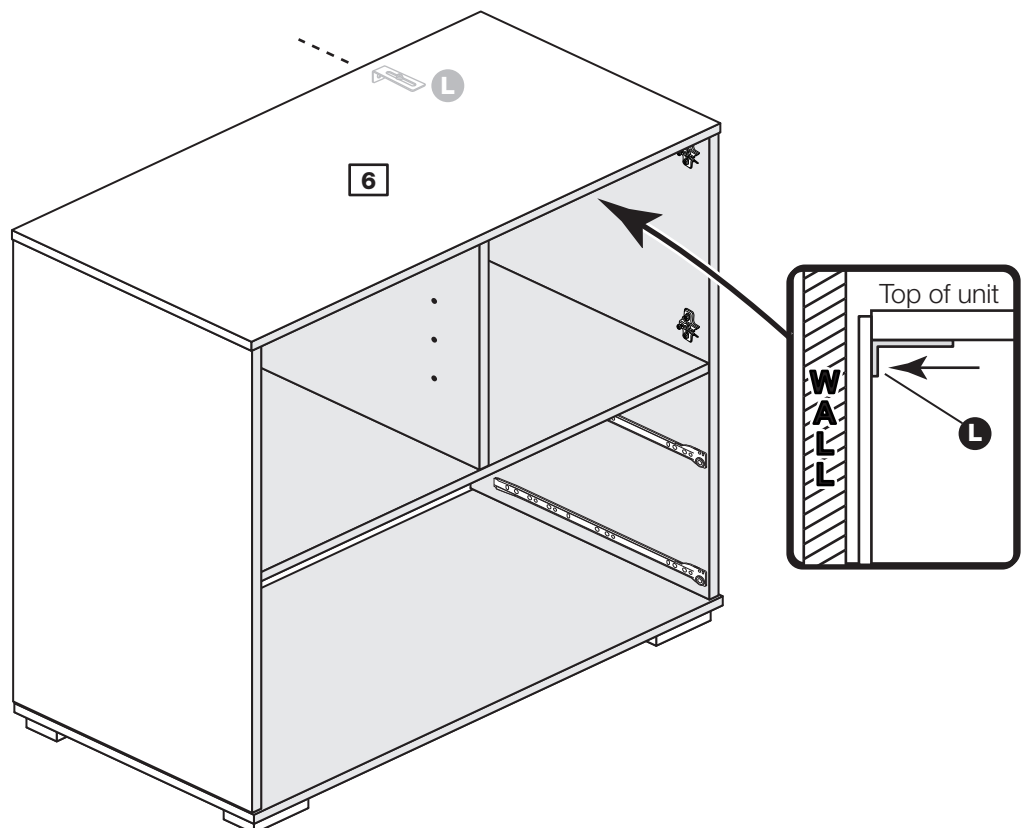
Secure unit to a wall

To prevent possible overbalancing we recommend that this unit is secured to a suitable wall by use of the metal bracket **L** fitted to the top **6**.

Fixings are not supplied as they will need to suit the wall type, and the length of screw will depend on the distance of the back of the unit to the wall.



Warning: Take care when drilling the wall that you do not drill into any pipes, wires etc. If in doubt, consult an expert.

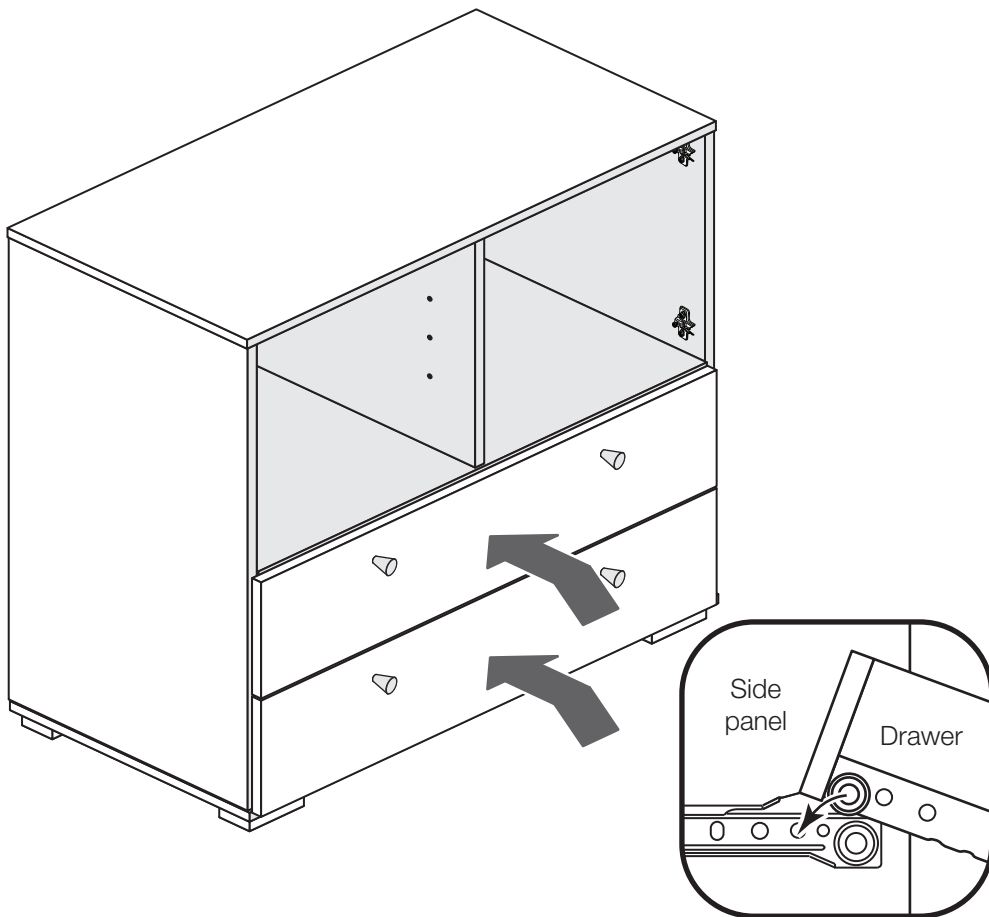


Assembly Instructions

Step 22

Fit the drawers

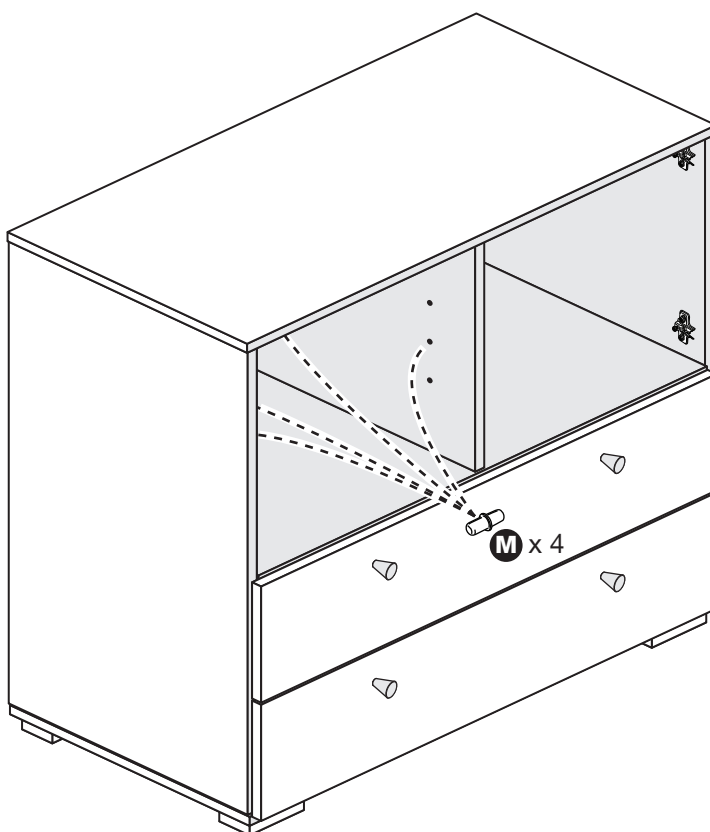
Slide the wheels of the runners fitted to the drawers, over the wheels of the runners fitted to the side panels and push the drawers into position.



Step 23

Fit the shelf studs

Insert 4 shelf studs **M** at the required height for the loose shelf **4**.

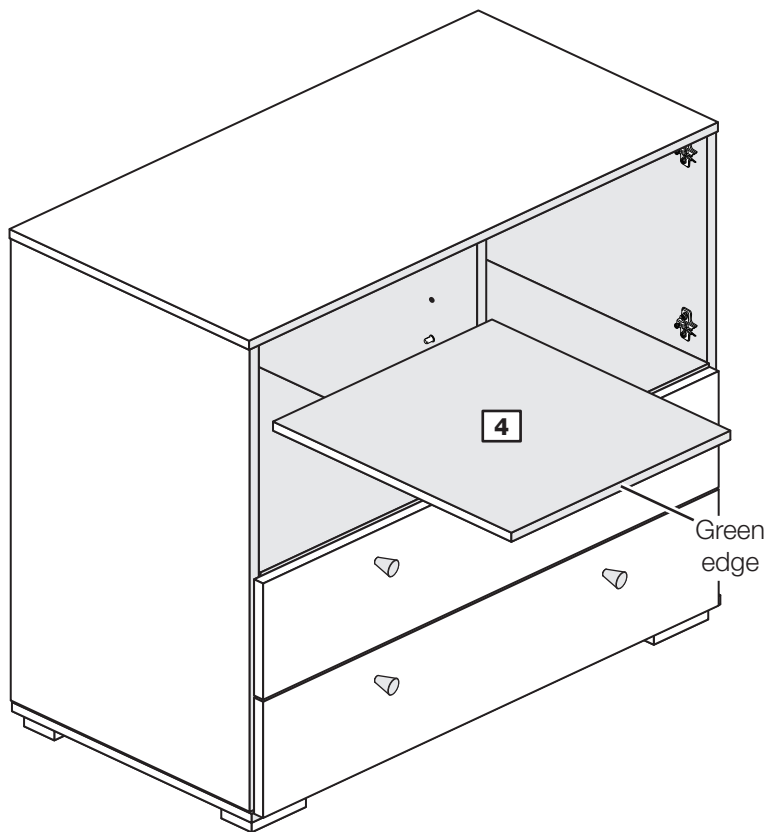


Assembly Instructions

Step 24

Fit the loose shelf

Lower the loose shelf **4** down onto the shelf studs **M**.



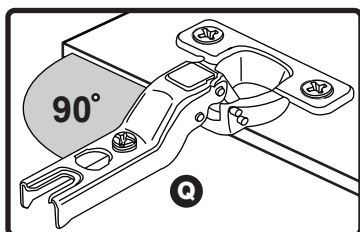
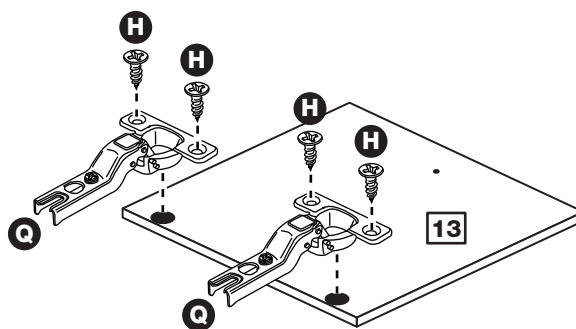
Step 25

Prepare door

Push fit the 2 hinges **Q** into the door **13**.

Secure each hinge with 2 screws **H**.

Note: Before securing with the screws, make sure that the hinges are positioned at 90 degrees with the edge of the door.



Assembly Instructions

Step 26

Fit the door and its handle

Note: The easiest way to attach the door **13** is to fit the top hinge first, then align and fit the other hinge.

a: Push the hinge **Q** onto the front part of the hinge plate **P**.

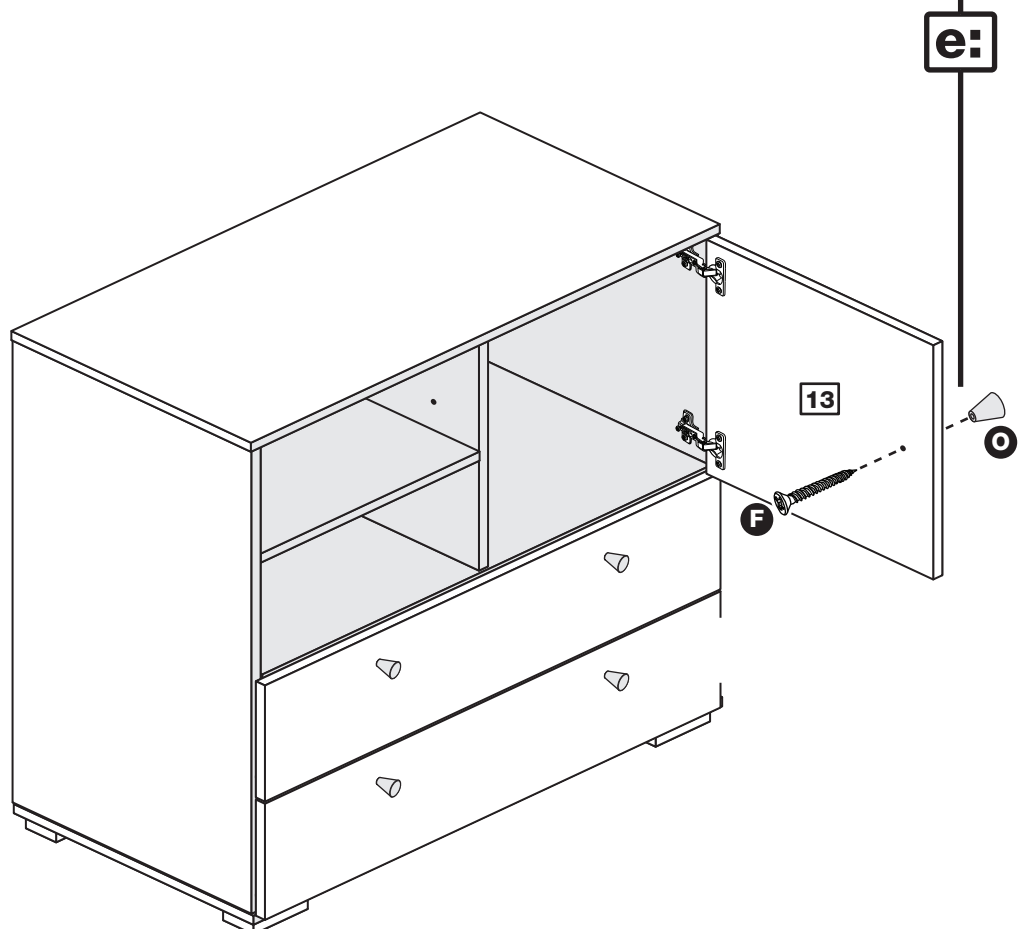
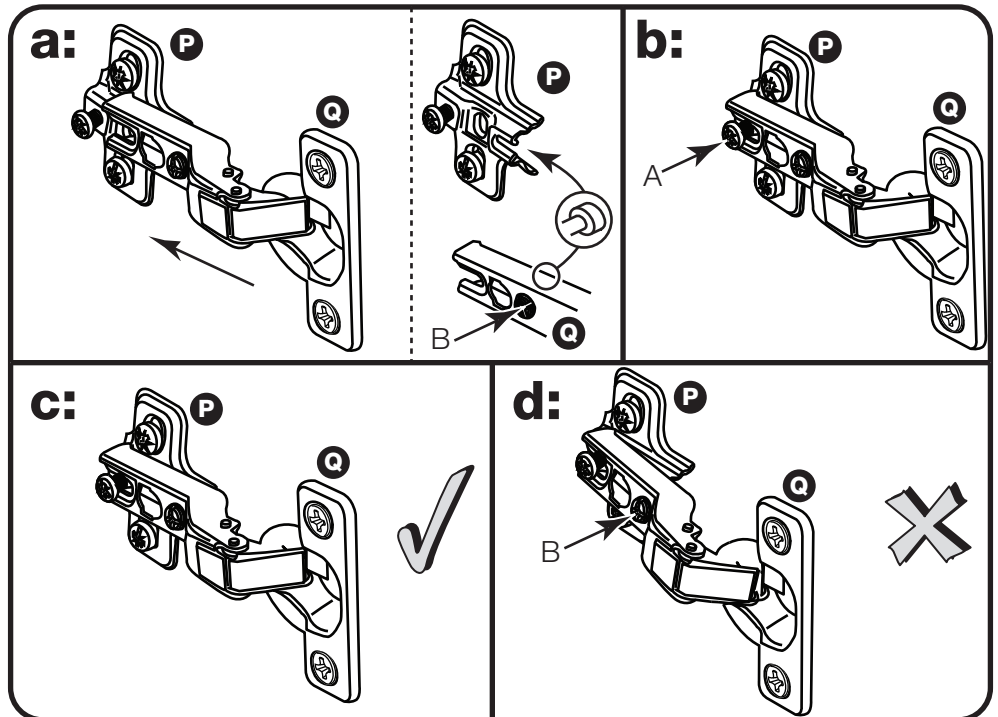
b: Keep the hinge **Q** FLAT against the hinge plate **P** as you slide it across as far as it will go. Tighten screw A.

c: The hinge **Q** must be flat against the hinge plate **P** prior to any adjustment.

d: The hinge **Q** must NOT be AT AN ANGLE to the hinge plate **P** when assembled. This would indicate that the recess at the bottom of screw B had not located in the slot in the hinge plate and the hinge would not be secure. Remove the hinge from the hinge plate and then re-assemble being careful to follow instructions a-c.

e: Attach a handle **O** to the door **13** using screw **F**.

Note: Do not overtighten screw **F**.



Assembly Instructions

Step 27

Adjust the door if needed

a: Before adjusting the door, use a spirit level to check the top (or base) of the unit is level, front-to-back and side-to-side in the 3 positions shown. Use suitable packing pieces (not supplied) to make the unit level BEFORE making any adjustment to the hinges, as shown.

b: Height adjustment.

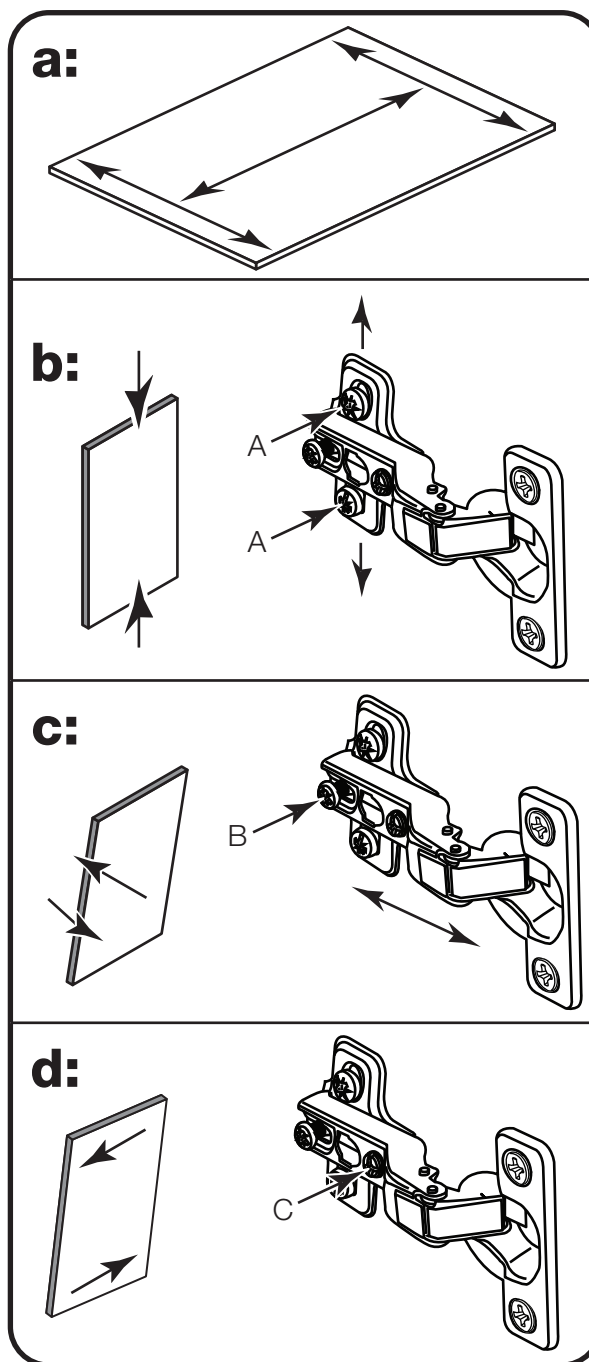
Loosen screws A on hinge plates and move door up or down as required. Retighten screw A.

c: Forward and Back adjustment.

Loosen screw B on hinge plate and move door in or out as required. Retighten screw B.

d: Sideways adjustment.

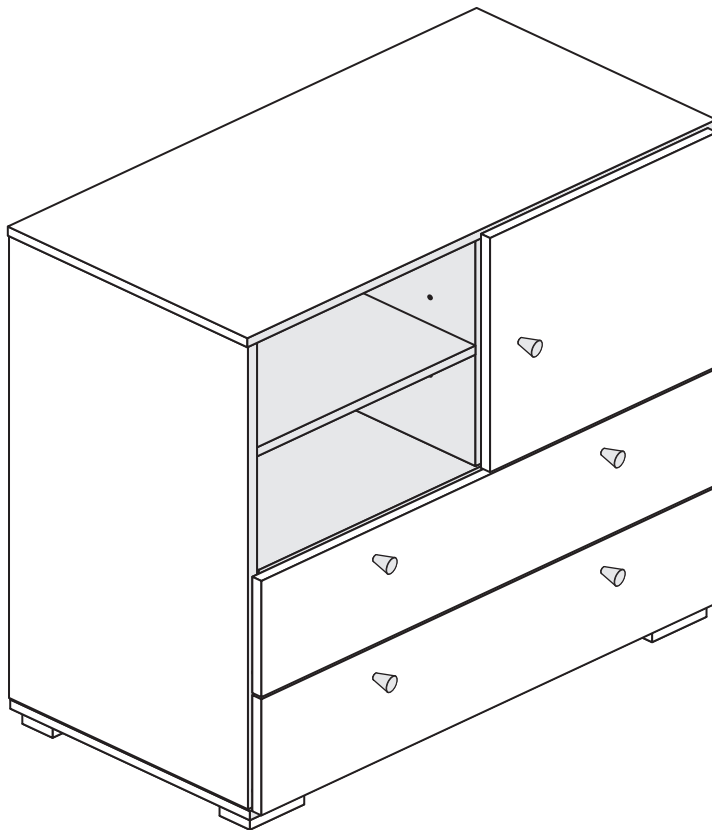
To move door 'out' loosen screw C. To move door 'in' tighten screw C.



Assembly Instructions

Step 28

Assembly is complete



If you need help or have damaged or missing parts, call the **Customer Helpline: 08456 400800** and quote the reference numbers on the component pages.
Argos Ltd, 489-499 Avebury Boulevard, Central Milton Keynes, MK9 2NW

