

# New Hallingford - 5+2 Drawer Chest

Assembly Instructions - Please keep for future reference

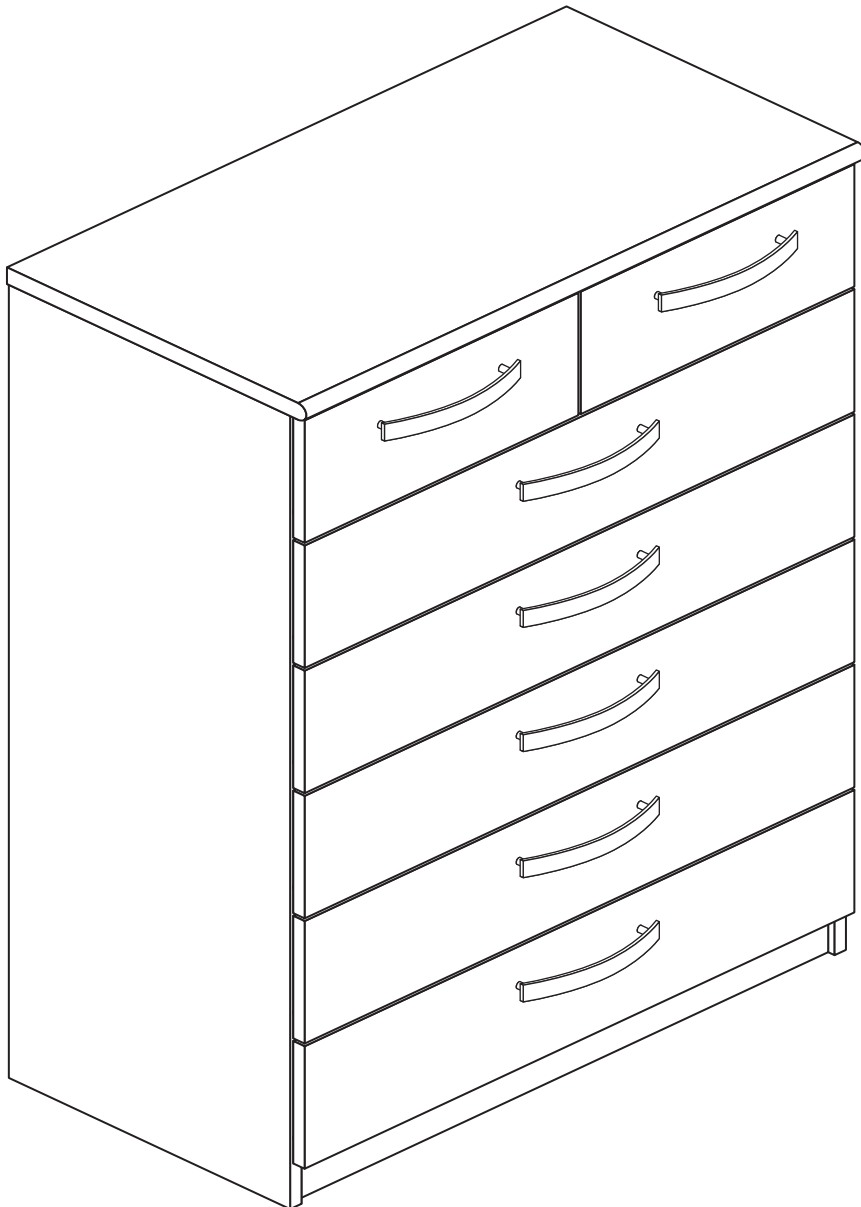
245/8629

244/8639

266/1708

258/7772

267/6401



## Dimensions

Width - 74cm

Depth - 40cm

Height - 107.5cm



**MADE IN  
BRITAIN**

**Important** - Please read these instructions fully before starting assembly

If you need help or have damaged or missing parts, call the **Customer Helpline: 0870 112 1928** or email: [Help@ClickSpares.co.uk](mailto:Help@ClickSpares.co.uk) (quoting your original order number)



# Safety and Care Advice

**Important - Please read these instructions fully before starting assembly**

- **Warning:** This unit weighs approximately 37kgs. Please lift with care.

- Check you have all the components and tools listed on pages 2 and 3.

- Remove all fittings from the plastic bags and separate them into their groups.

- Keep children and animals away from the work area, small parts could choke if swallowed.

- Parts of the assembly will be easier with 2 people.

- Make sure you have enough space to layout the parts before starting.

- Do not stand or put weight on the product, this could cause damage.

- Assemble the item as close to its final position (in the same room) as possible.

- Assemble on a soft level surface to avoid damaging the unit or your floor (use opened out unit carton).



- We do not recommend the use of power drill/drivers **for inserting screws**, as this could damage the unit. Only use hand screwdrivers.

- **Safety note:** It is recommended that this unit is secured to a wall using the bracket supplied.

- Dispose of all packaging carefully and responsibly.

## Care and maintenance

- Only clean using a damp cloth and mild detergent, do not use bleach or abrasive cleaners.

- From time to time check that there are no loose screws on this unit.

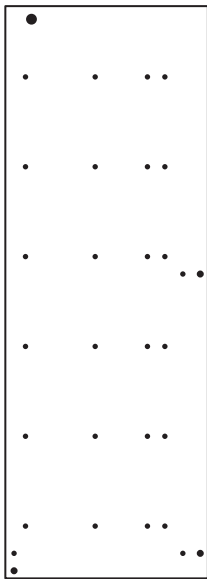
- This product should not be discarded with household waste. Take to your local authority waste disposal centre.

**Note:** If required the next page can be cut out and used as reference throughout the assembly. Keep this page with these instructions for future reference.

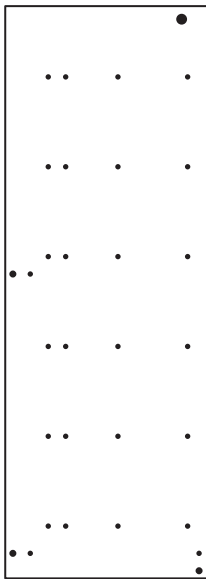
# Components - Panels

If you have damaged or missing components, call the **Customer Helpline: 0870 112 1928** or email: **Help@ClickSpares.co.uk** (quoting your original order number and the reference numbers below)

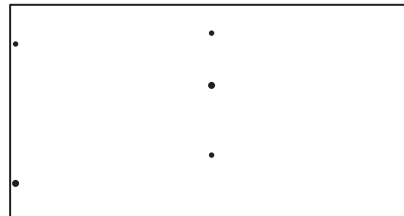
Please check you have all the panels listed below



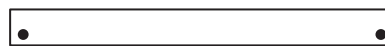
**1** Left Side (D2320B)  
(1051 x 372mm)



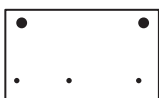
**2** Right Side (D2321B)  
(1051 x 372mm)



**3** Top (D2311A)  
(740 x 396mm)



**4** Rail (D2315A)  
(705 x 66mm) x 3



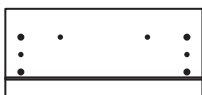
**5** Divider (D2314A)  
(165 x 282mm)



**6** Left Drawer Side (W370-124LH)  
(370 x 124mm) x 7



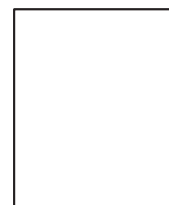
**7** Right Drawer Side (W370-124RH)  
(370 x 124mm) x 7



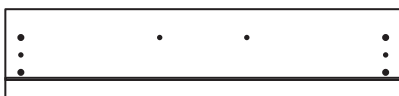
**8** Small Drawer Front (D2309A)  
(362 x 162mm) x 2



**9** Small Drawer Back (W291-124)  
(291 x 124mm) x 2



**10** Small Drawer Base (T304-367)  
(304 x 367mm) x 2



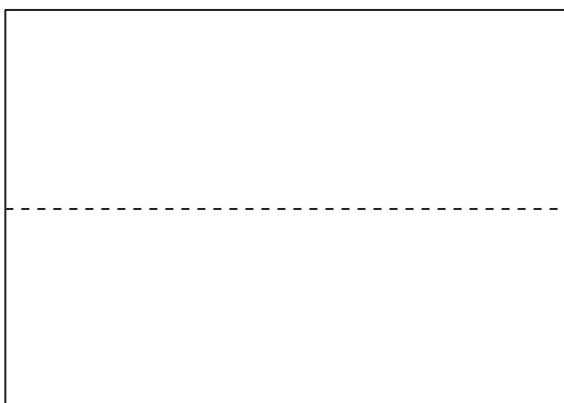
**11** Large Drawer Front (D2316A)  
(727 x 162mm) x 5



**12** Large Drawer Back (W657-124)  
(657 x 124mm) x 5



**13** Large Drawer Base (T668-367)  
(668 x 367mm) x 5



**14** Back (X1030-731)  
(1030 x 731mm)

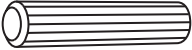
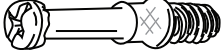



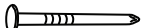



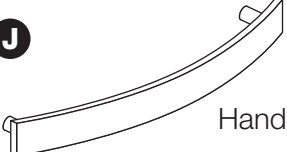

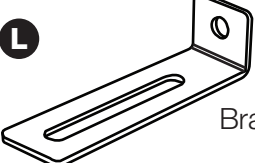



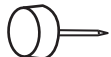
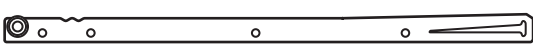
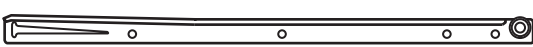


# Components - Fittings

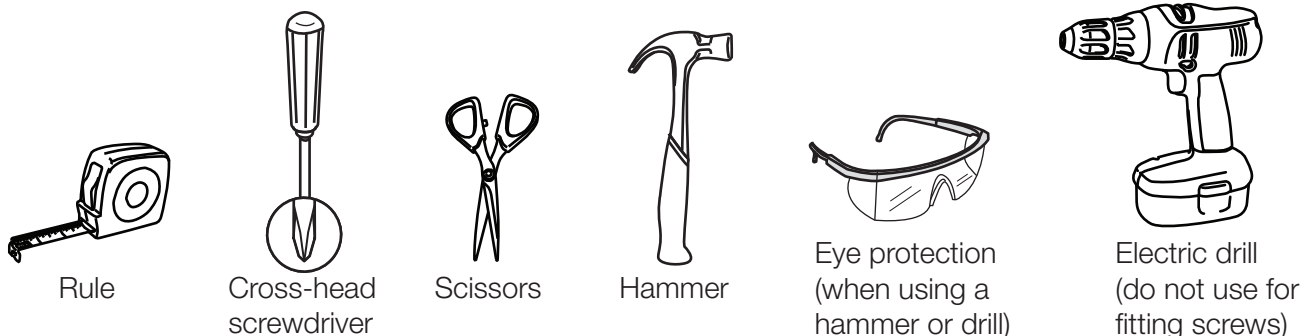
If you have damaged or missing components, call the **Customer Helpline: 0870 112 1928** or **email: Help@ClickSpares.co.uk** (quoting your original order number and the reference numbers below)

Please check you have all the fittings listed below

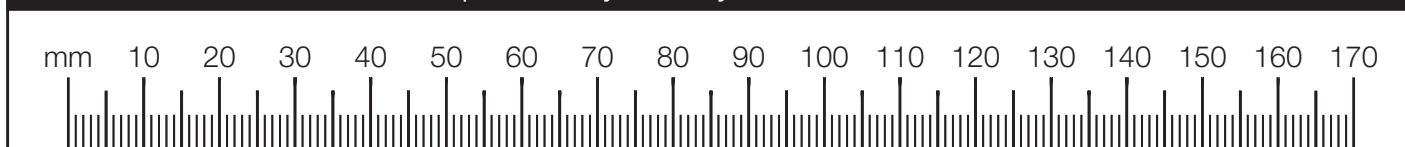
**Note:** The quantities below are the correct amount to complete the assembly. In some cases more fittings may be supplied than are required.

<b>A</b>  Wooden dowel (F22) x 9	<b>B</b>  Metal dowel (F901) x 24	<b>C</b>  Small locking nut (F3) x 14
<b>D</b>  Large locking nut (F900) x 10	<b>E</b>  Knock-in Peg (F171GY) x 28	<b>F</b>  Nail (F51) x 24
<b>G</b>  19mm Screw (F461) x 14	<b>H</b>  13mm Screw (F52) x 42	<b>I</b>  13mm Screw (F63) x 42
<b>J</b>  Handle (F278) x 7	<b>K</b>  13mm Screw (F79) x 1	<b>L</b>  Bracket (F327) x 1
<b>M a</b>  L Runner (F159) x 7 ← 350mm long →	<b>N</b>  Wedgefix (F639) x 24	
<b>M b</b>  R Runner (F160) x 7	<b>O</b>  Plastic Nail (F91) x 4	
<b>M c</b>  L Runner (F161) x 7		
<b>M d</b>  R Runner (F162) x 7		

## Tools required



**Ruler** - Use this ruler to help correctly identify the screws



# Assembly Instructions

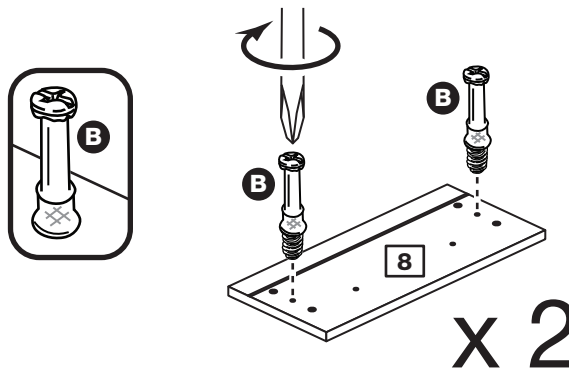
If you have damaged or missing components, call the Customer Helpline: 0870 112 1928 or email: [Help@ClickSpares.co.uk](mailto:Help@ClickSpares.co.uk) (quoting your original order number and the reference numbers below)

## Step 1

### Prepare the 2 small drawer fronts

Screw 2 metal dowels **B** into the holes shown on the back of each of the small drawer fronts **8**.

**Note:** Tighten the metal dowels up fully against the panels.

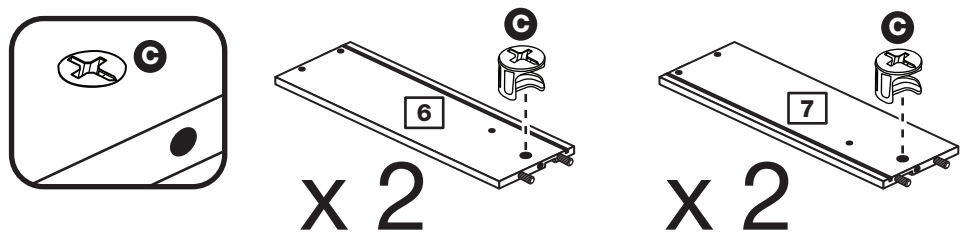


## Step 2

### Prepare the 2 sets of the drawer sides

Insert a small locking nut **C** into the hole shown on the left drawer side **6** and right drawer side **7**.

**Note:** The arrow on the locking nut **must** point towards the hole in the edge of the panel.



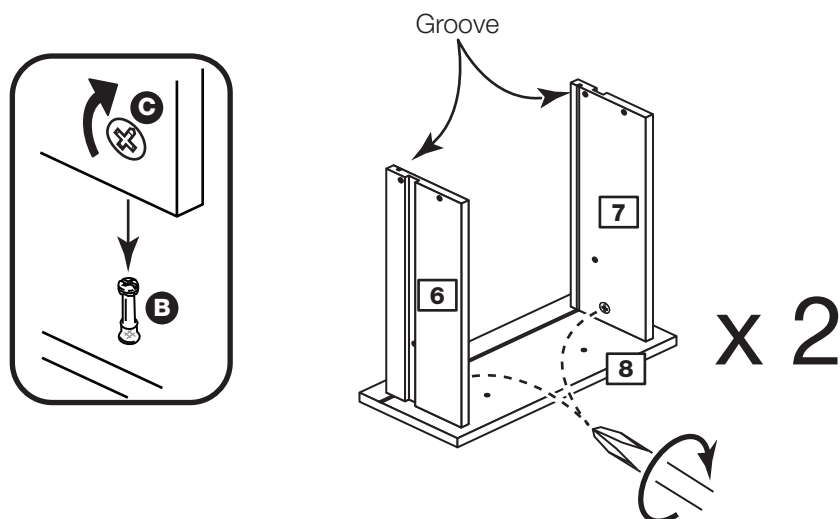
## Step 3

### Attach the drawer sides to the small drawer front

Push the left drawer side **6** and right drawer side **7** onto the back of the small drawer front **8**.

Turn the small locking nuts **C** on the left drawer side **6** and right drawer side **7**.

**Note:** Turn the locking nuts **C** clockwise to secure panels - more than 1/2 a turn.

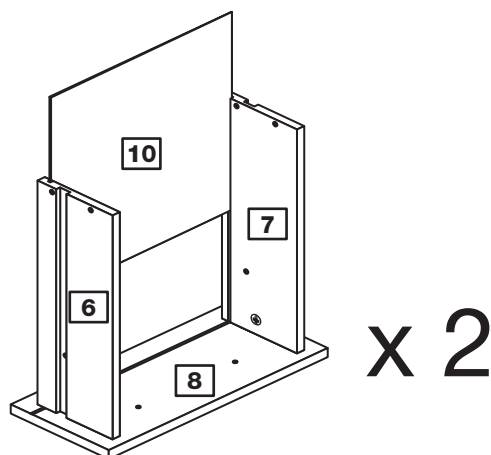


# Assembly Instructions

## Step 4

### Fit the small drawer base

Slide the small drawer base **10** down the grooves in the drawer sides **6** and **7** and down into the groove in the small drawer front **8**.



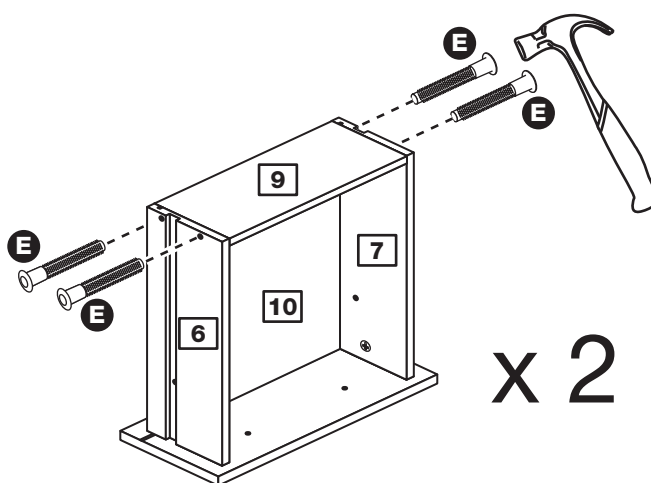
## Step 5

### Fit the small drawer back

Fit the small drawer back **9** between the drawer sides **6** and **7**.

Make sure that the small drawer base **10** fits into the groove in the small drawer back **9**.

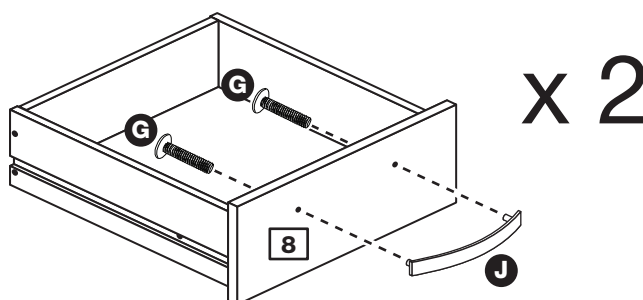
Hold the small drawer back **9** in position and tap the knock-in pegs **E** through the holes in the drawer sides **6** and **7**.



## Step 6

### Attach the handles

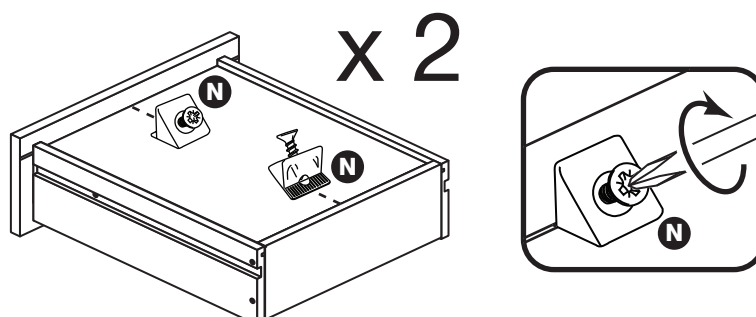
Attach a handle **J** to each of the small drawer fronts **8** using 2 screws **G**.



## Step 7

### Fit the wedgifixes

Turn the small drawer assemblies over and slide 2 wedgifixes **N** into the front and back grooves, as shown, and tighten up the screws.



# Assembly Instructions

## Step 8

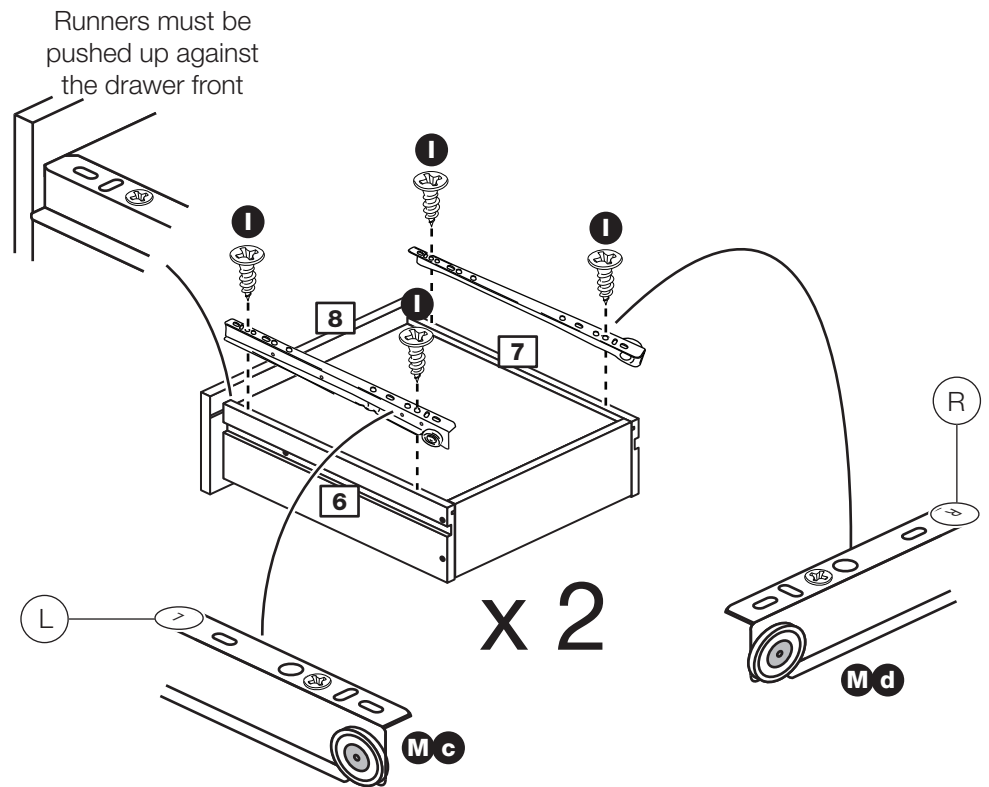
### Fit runners to the small drawers

Turn the 2 small drawer assemblies over.

Fit runner **Md**, marked with 'R', to the bottom edge of the right drawer side **7**, as shown, making sure that it is pushed up against the back of the small drawer front **8**.

Use a bradawl to mark the fixing positions, then secure with 2 screws **I**.

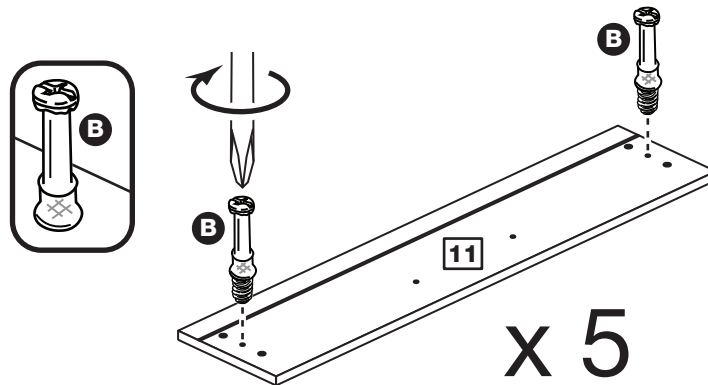
Fit runner **Mc**, marked 'L', to the bottom edge of the left drawer side **6** using the same method.



## Step 9

### Prepare the 5 large drawer fronts

Screw 2 metal dowels **B** into the holes shown on the back of each large drawer front **11**.

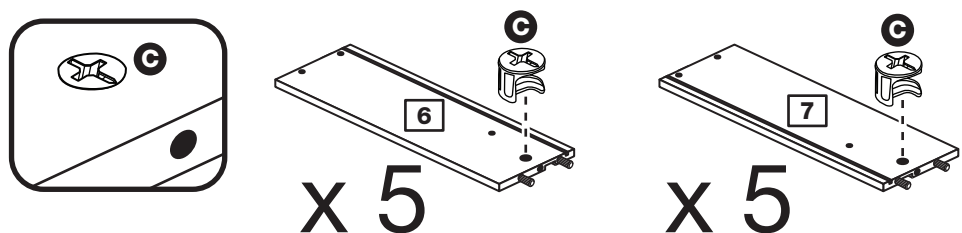


## Step 10

### Prepare 5 sets of drawer sides

Insert a small locking nut **C** into the hole shown on the left drawer side **6** and right drawer side **7**.

**Note:** The arrow on the locking nut **must** point towards the hole in the edge of the panel.



# Assembly Instructions

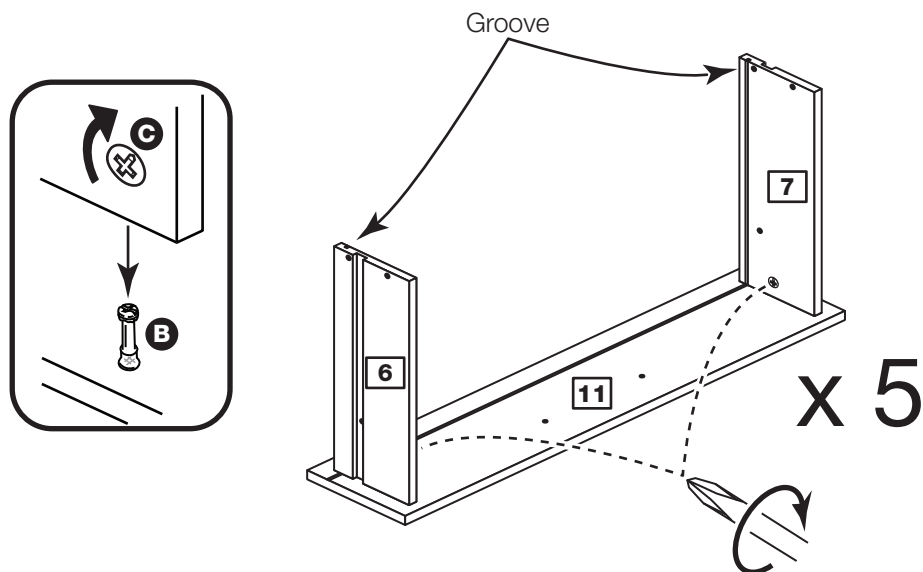
## Step 11

### Attach the drawer sides to the large drawer front

Push the left drawer side **6** and right drawer side **7** onto the back of the large drawer front **11**.

Turn the small locking nuts **C** on the left drawer side **6** and right drawer side **7**.

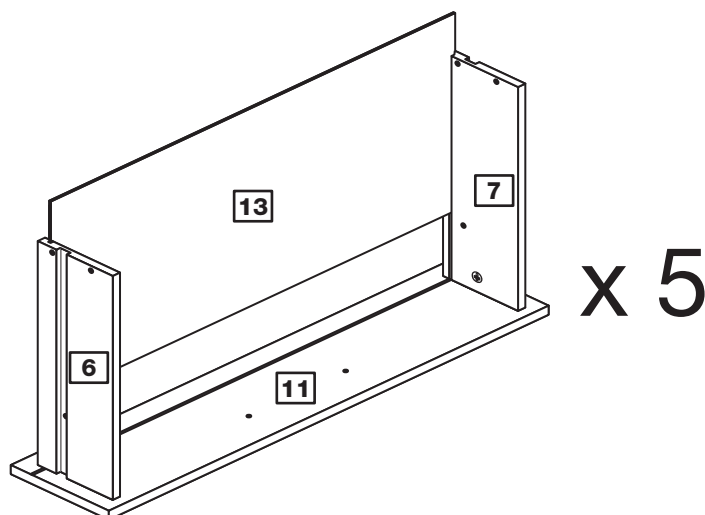
**Note:** Turn the locking nuts **C** clockwise to secure panels - more than 1/2 a turn.



## Step 12

### Fit the large drawer base

Slide the large drawer base **13** down the grooves in the drawer sides **6** and **7** and down into the groove in the large drawer front **11**.



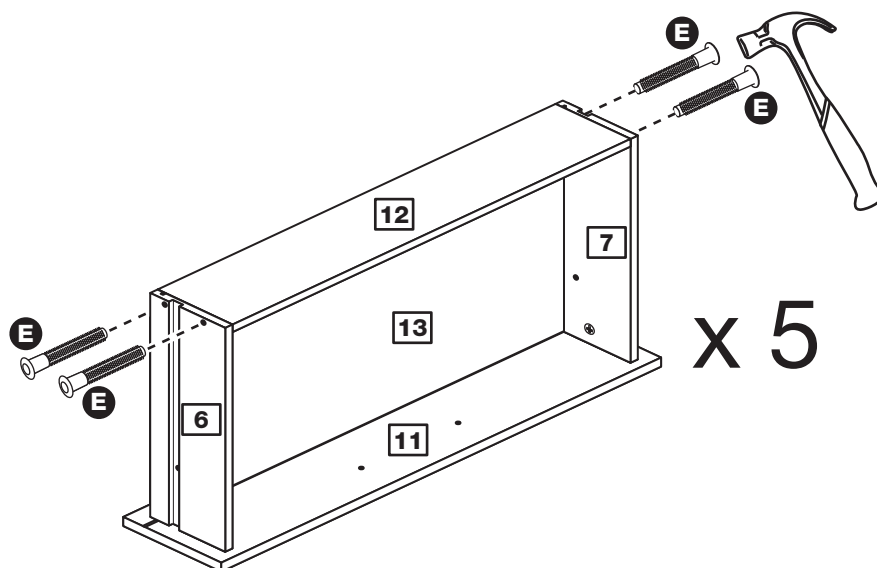
## Step 13

### Fit the large drawer back

Fit the drawer back **12** between the drawer sides **6** and **7**.

Make sure that the drawer base **13** fits into the groove in the drawer back **12**.

Hold the drawer back **12** in position and tap the knock-in pegs **E** through the holes in the drawer sides **6** and **7**.



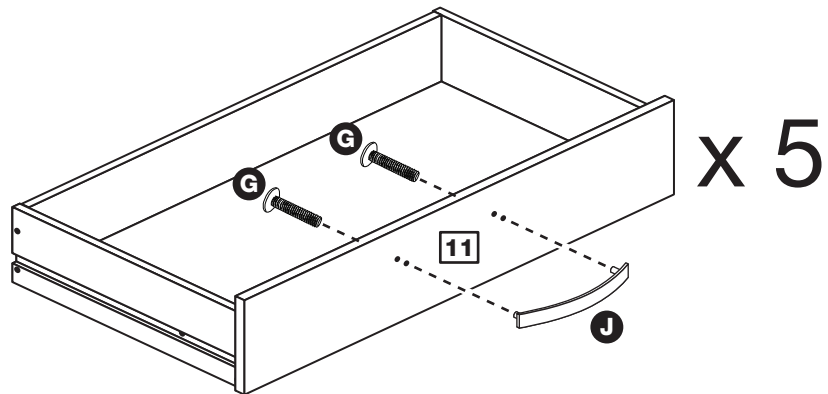


# Assembly Instructions

## Step 14

### Attach the handles

Attach a handle **J** to each of the large drawer fronts **11** using 2 screws **G**.

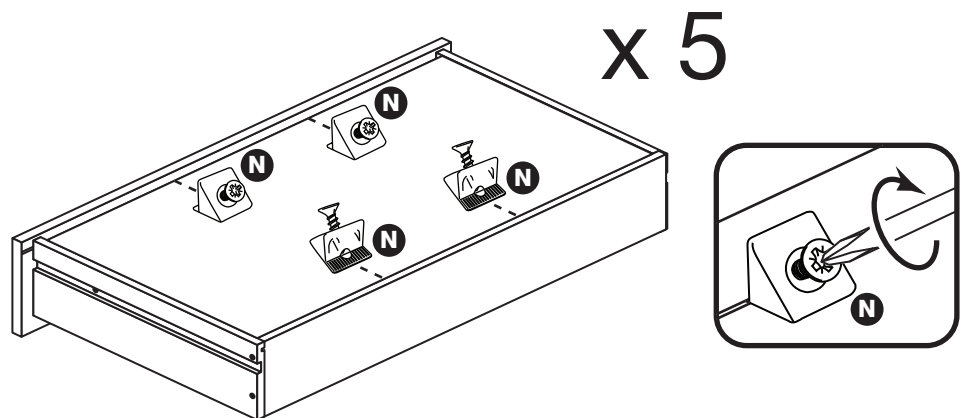


## Step 15

### Fit the wedgexes

**Note:** Before adding the wedgexes, make sure the assembled drawer is square.

Turn the drawer assemblies over and slide 4 wedgexes **N** into the front and back grooves, as shown, and tighten up the screws.



## Step 16

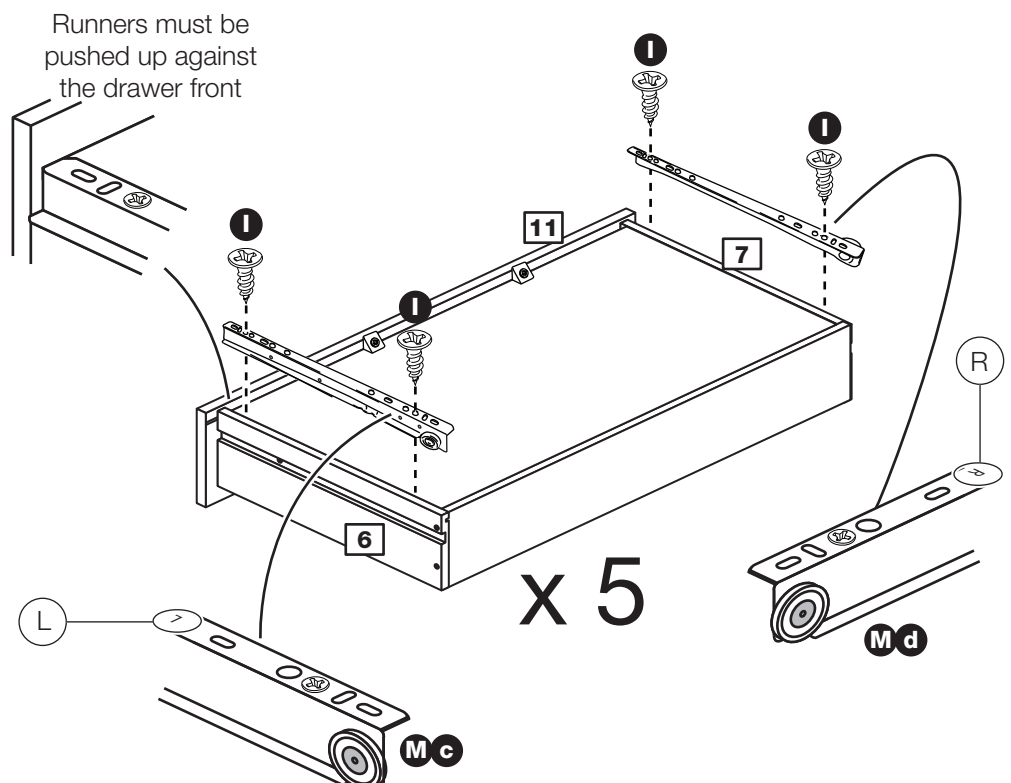
### Fit runners to the large drawers

Turn the 5 large drawer assemblies over.

Fit runner **Md**, marked with 'R', to the bottom edge of the right drawer side **7**, as shown, making sure that it is pushed up against the back of the large drawer front **11**.

Use a bradawl to mark the fixing positions, then secure with 2 screws **I**.

Fit runner **Mc**, marked 'L', to the bottom edge of the left drawer side **6** using the same method.



# Assembly Instructions

## Step 17

### Prepare the left side

**a:** Fit 6 runners **Ma** to the left side **1**.

The 1st screw **H** uses the 2nd hole in from the front of the runner.

The 2nd and 3rd screws **H** use the holes that line up with the other panel holes.

**b:** Fit a screw **I** into the 2nd hole in at the top of the runners **Ma**.

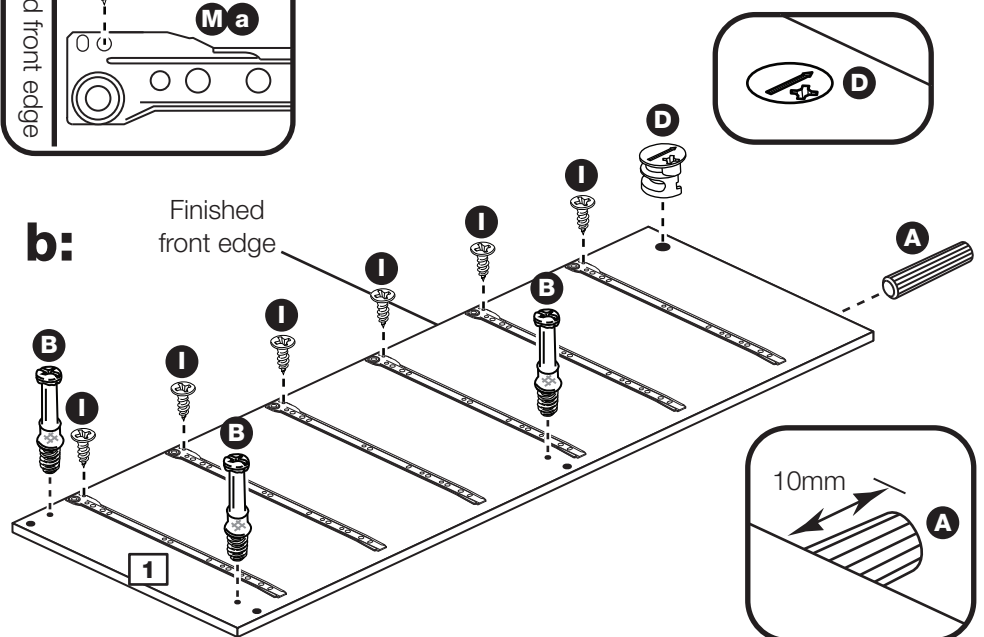
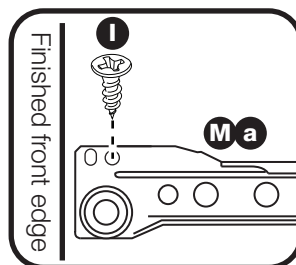
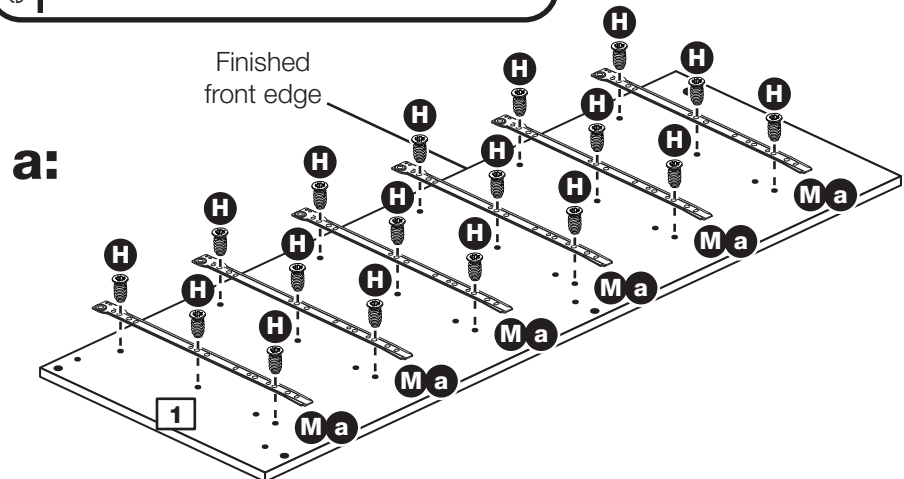
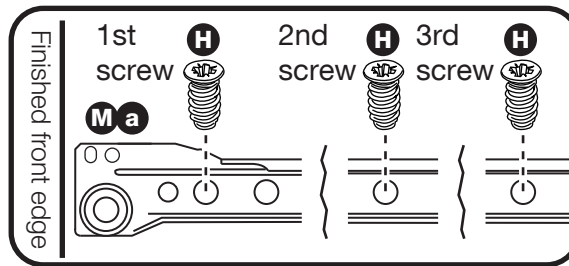
Screw 3 metal dowels **B** into the left side **1**.

Insert a large locking nut **D** into the left side **1**.

**Note:** The arrow on the locking nut **must** point towards the hole in the edge of the panel.

Tap a wooden dowel **A** into the left side **1**.

**Note:** Wooden dowels **must not** stick out from the edge by more than 10mm or they may damage other panels.



# Assembly Instructions

## Step 18

### Prepare the right side

**a:** Fit 6 runners **M b** to the right side **2**.

The 1st screw **H** uses the 2nd hole in from the front of the runner.

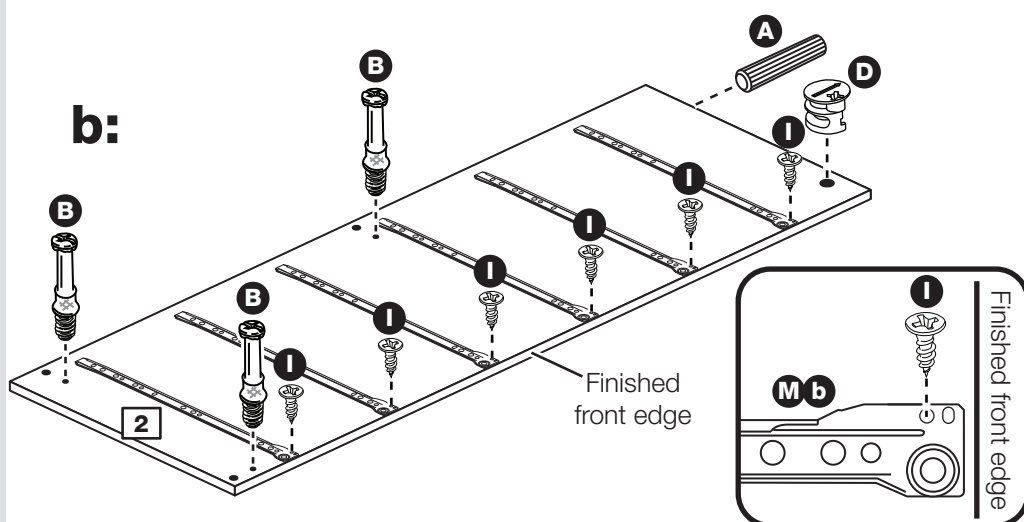
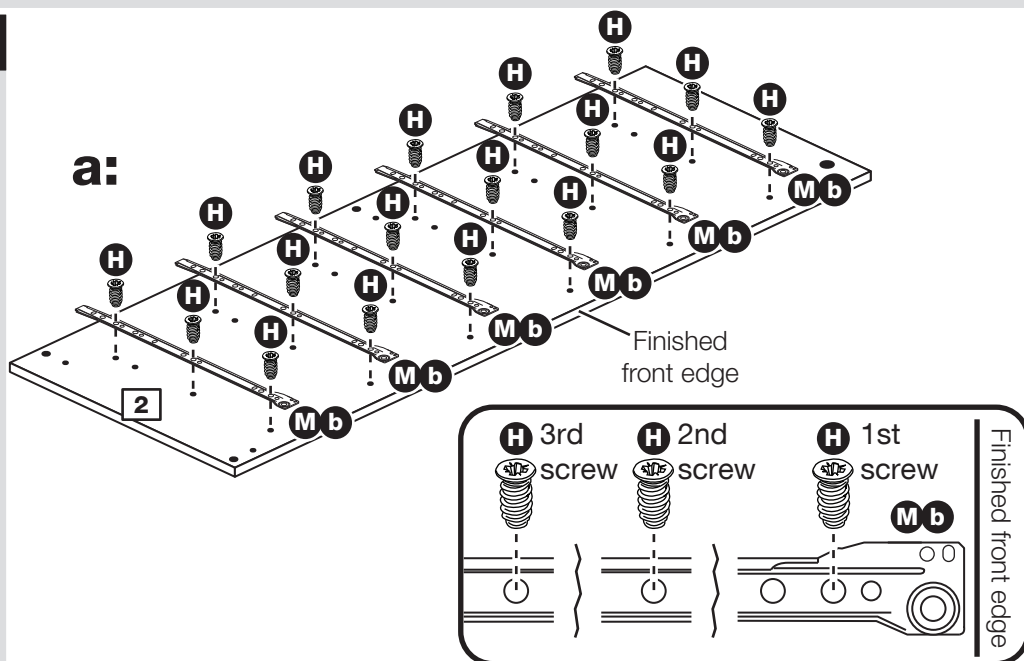
The 2nd and 3rd screws **H** use the holes that line up with the other panel holes.

**b:** Fit a screw **I** into the 2nd hole in at the top of the runner **M b**.

Screw 3 metal dowels **B** into the right side **2**.

Insert a large locking nut **D** into the right side **2**.

Tap a wooden dowel **A** into the right side **2**.

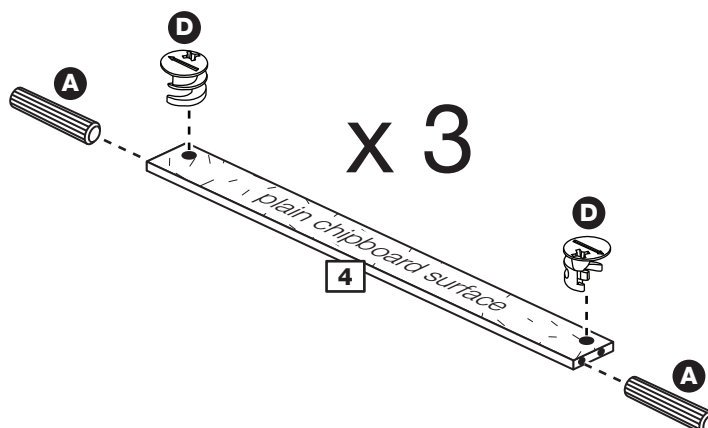


## Step 19

### Prepare the 3 rails

Tap 2 wooden dowels **A** into each rail **4**.

Insert 2 large locking nuts **D** into each rail **4**.



# Assembly Instructions

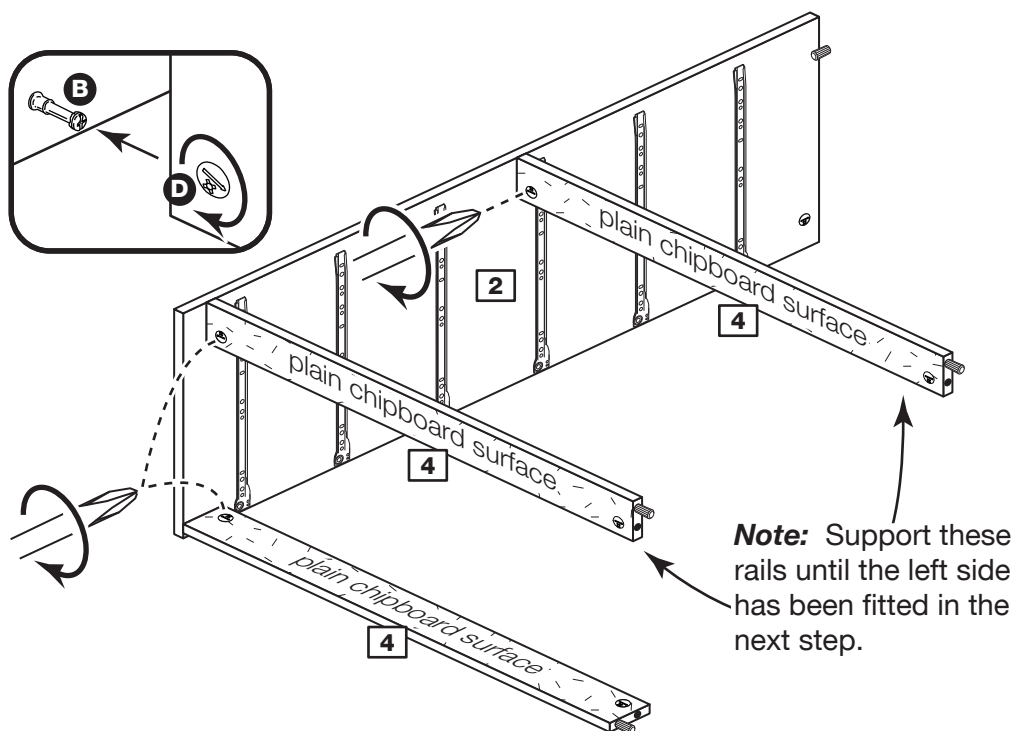
## Step 20

### Join the right side and rails

Push the 3 rails **4** onto the right side **2**.

Use a screwdriver to tighten the 3 large locking nuts **D** fitted to the rails **4**.

**Note:** Turn the large locking nuts **D** as far as they will go - more than 1/2 a turn.

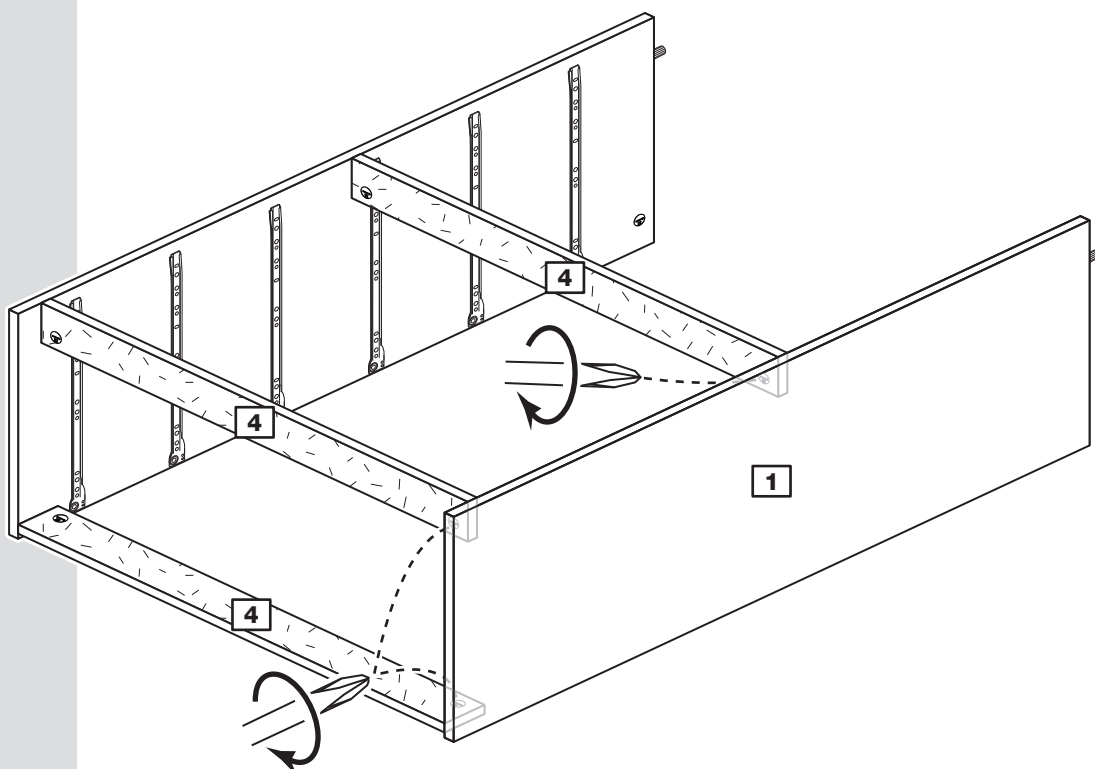


## Step 21

### Fit the left side

Push the left side **1** onto the 3 rails **4**.

Use a screwdriver to tighten the 3 large locking nuts **D** fitted to the rails **4**.



# Assembly Instructions

## Step 22

### Prepare both surfaces of the divider

**Note:** The colour of the divider may differ from the main unit colour.

**a:** Fit a runner **M b** to the divider **5**.

The 1st screw **H** uses the 2nd hole in from the front of the runner.

The 2nd and 3rd screws **H** use the holes that line up with the other panel holes.

**b:** Fit a screw **I** into the 2nd hole in at the top of the runner **M b**.

Insert 2 large locking nuts **D** into the divider **5**.

### Turn the divider over

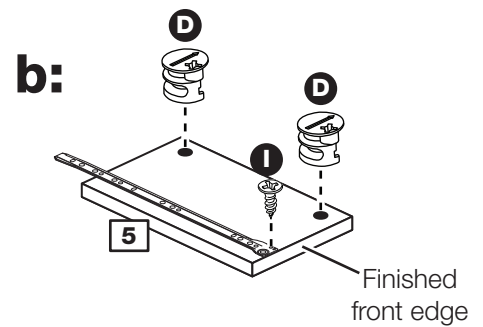
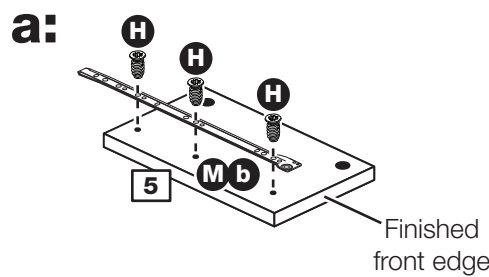
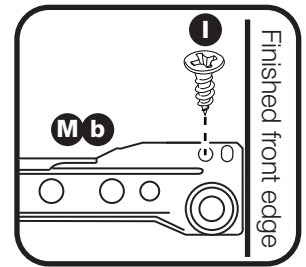
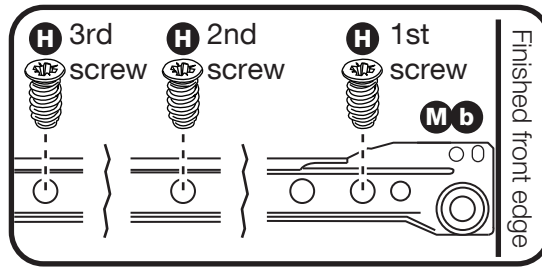
**c:** Fit a runner **M a** to the divider **5**.

The 1st screw **H** uses the 2nd hole in from the front of the runner.

The 2nd and 3rd screws **H** use the holes that line up with the other panel holes.

**d:** Fit a screw **I** into the 2nd hole in at the top of the runner **M a**.

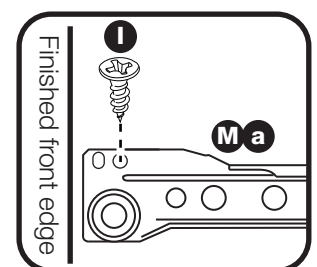
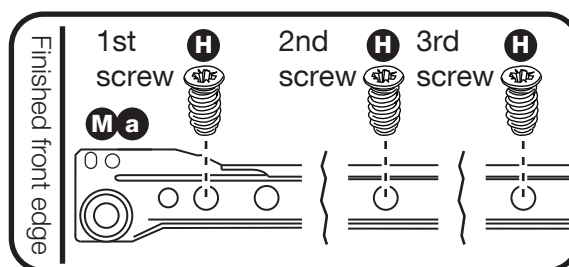
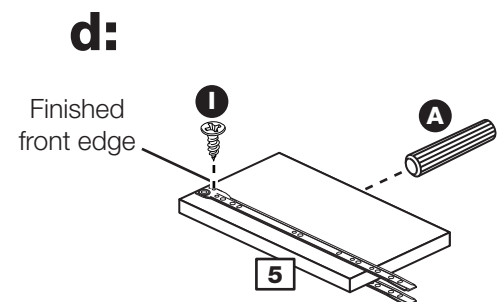
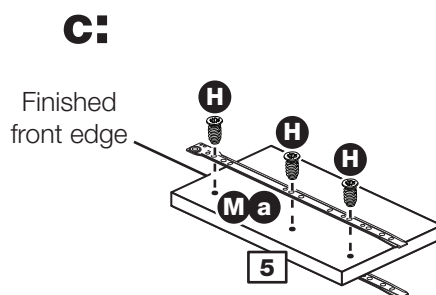
Tap a wooden dowel **A** into the divider **5**.



**Note:** Due to the manufacturing process, the 2 holes for the large locking nut can be on either surface of the divider.



Turn the divider over



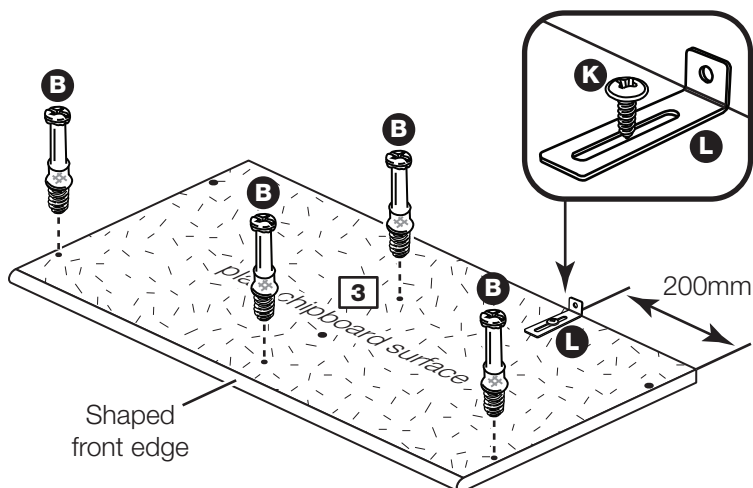
# Assembly Instructions

## Step 23

### Prepare the top

Screw 4 metal dowels **B** into the top **3**.

Fix the bracket **L**, 200mm in from the side of the top **3** and flush to the back edge, using screw **K**.

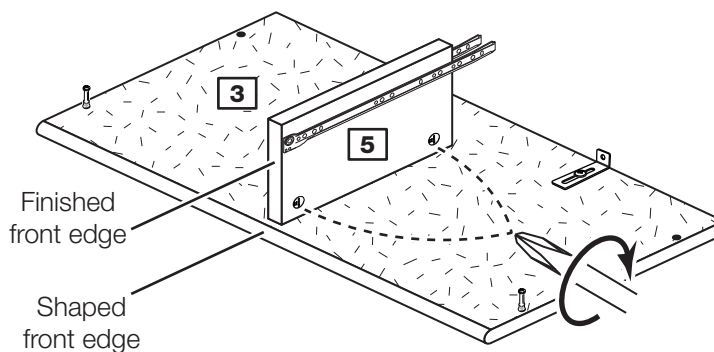


## Step 24

### Join the divider and top

Push the divider **5** onto the top **3**.

Use a screwdriver to tighten the 2 large locking nuts **D** fitted to the divider **5**.

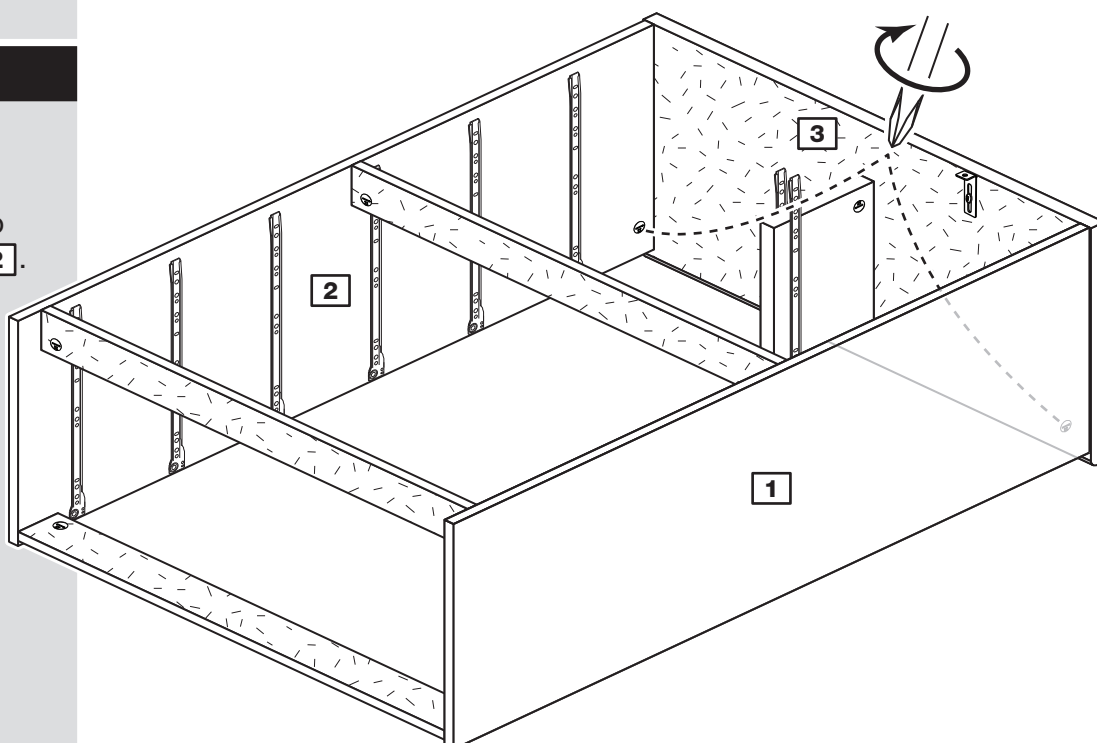


## Step 25

### Fit the top

Push the top **3** onto the 2 sides **1** and **2**.

Use a screwdriver to tighten the 2 large locking nuts **D** fitted to the sides **1** and **2**.





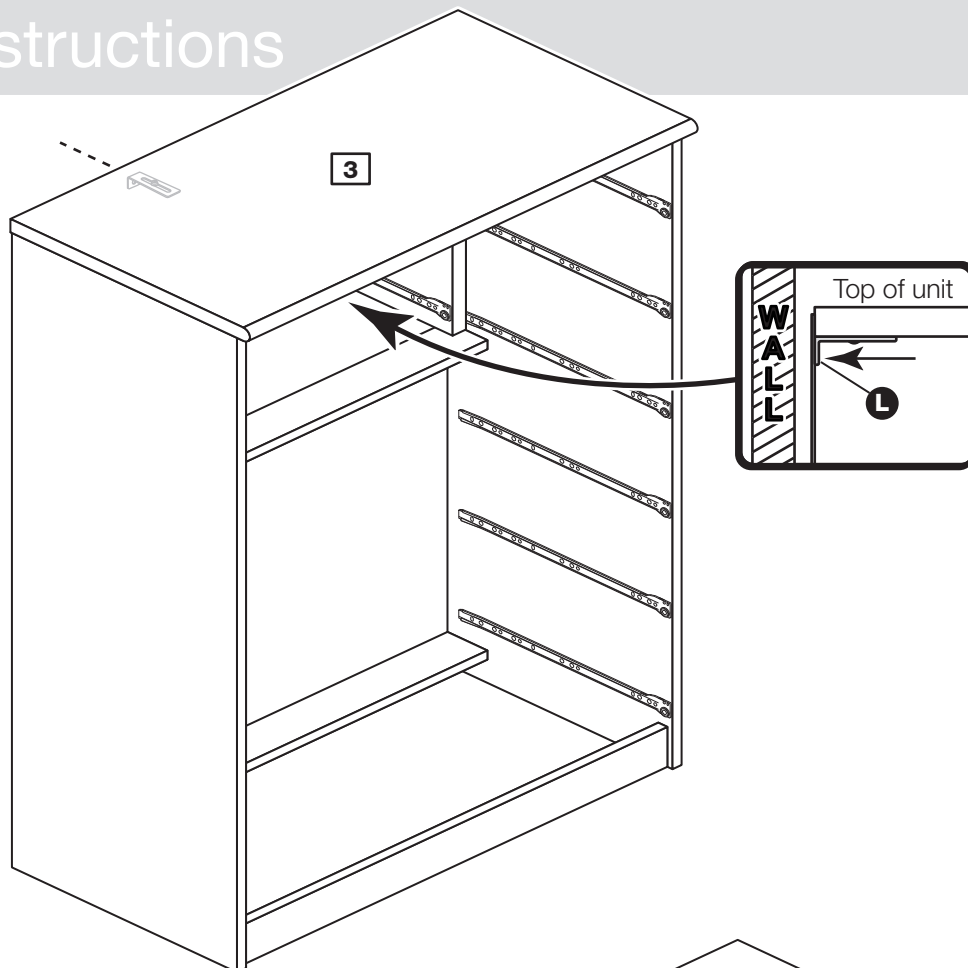
# Assembly Instructions

## Step 28

### Fit the drawers

Slide the wheels of the runners fitted to the drawers, over the wheels of the runners fitted to the unit and push the drawers into position.

**Assembly is complete**

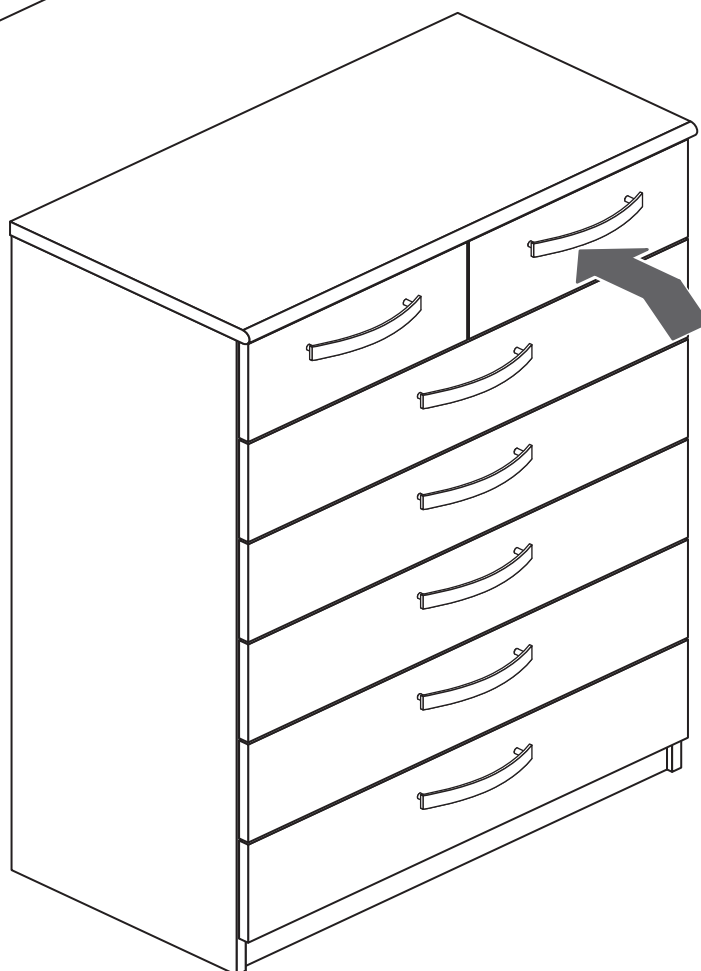
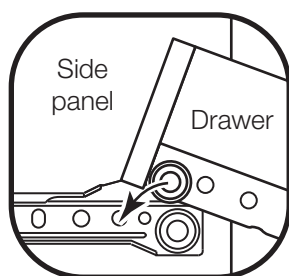


## Step 29

### Fit the drawers

Slide the wheels of the runners fitted to the drawers, over the wheels of the runners fitted to the unit and push the drawers into position.

**Assembly is complete**



If you need help or have damaged or missing parts, call the **Customer Helpline: 0870 112 1928** or email: [Help@ClickSpares.co.uk](mailto:Help@ClickSpares.co.uk) (quoting your original order number and the reference numbers on the component pages)  
Argos Ltd, 489-499 Avebury Boulevard, Central Milton Keynes, MK9 2NW



# New Hallingford - 5+2 Drawer Chest

Assembly Instructions - Please keep for future reference

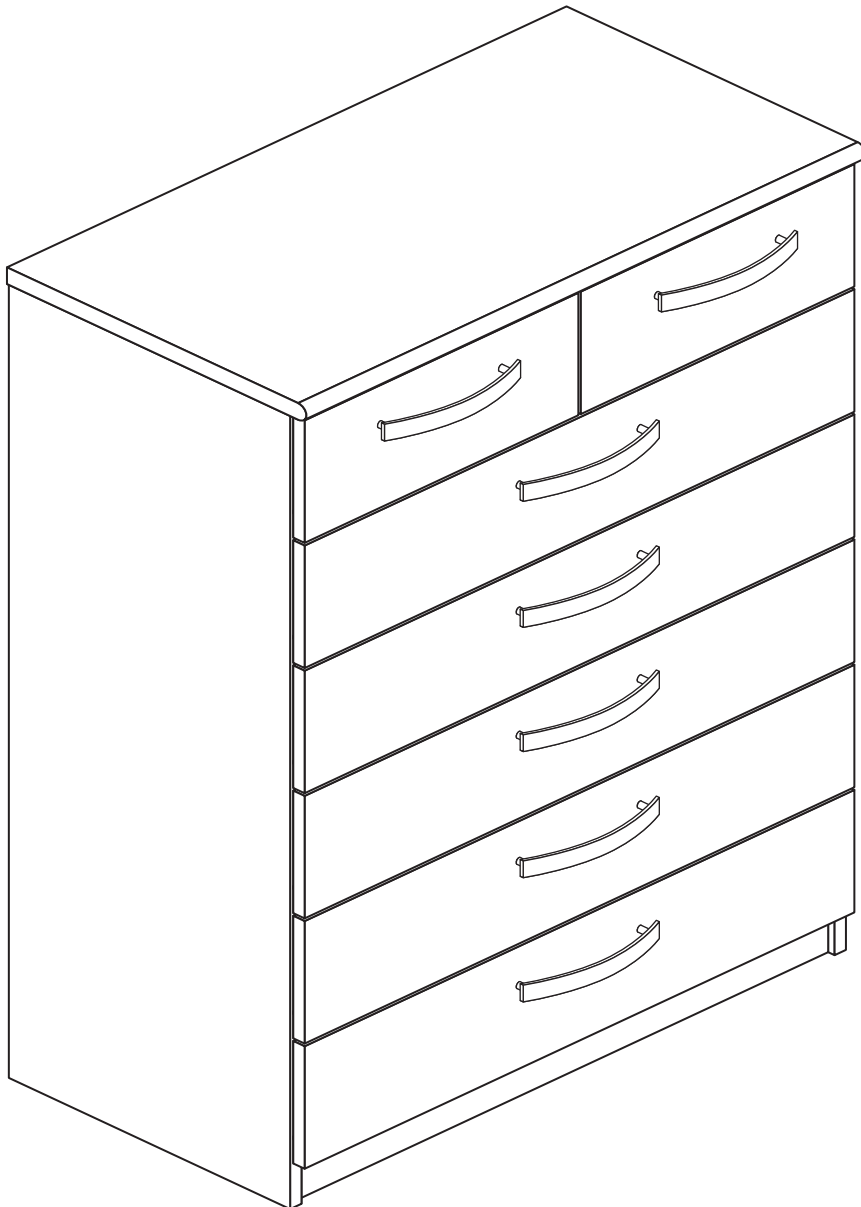
245/8629

244/8639

266/1708

258/7772

267/6401



## Dimensions

Width - 74cm

Depth - 40cm

Height - 107.5cm



**MADE IN  
BRITAIN**

**Important** - Please read these instructions fully before starting assembly

If you need help or have damaged or missing parts, call the **Customer Helpline: 0870 112 1928** or email: [Help@ClickSpares.co.uk](mailto:Help@ClickSpares.co.uk) (quoting your original order number)



# Safety and Care Advice

**Important - Please read these instructions fully before starting assembly**

- **Warning:** This unit weighs approximately 37kgs. Please lift with care.

- Check you have all the components and tools listed on pages 2 and 3.

- Remove all fittings from the plastic bags and separate them into their groups.

- Keep children and animals away from the work area, small parts could choke if swallowed.

- Parts of the assembly will be easier with 2 people.

- Make sure you have enough space to layout the parts before starting.

- Do not stand or put weight on the product, this could cause damage.

- Assemble the item as close to its final position (in the same room) as possible.

- Assemble on a soft level surface to avoid damaging the unit or your floor (use opened out unit carton).



- We do not recommend the use of power drill/drivers **for inserting screws**, as this could damage the unit. Only use hand screwdrivers.

- **Safety note:** It is recommended that this unit is secured to a wall using the bracket supplied.

- Dispose of all packaging carefully and responsibly.

## Care and maintenance

- Only clean using a damp cloth and mild detergent, do not use bleach or abrasive cleaners.

- From time to time check that there are no loose screws on this unit.

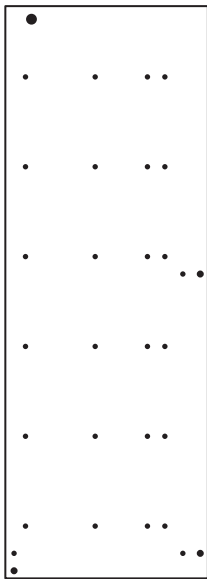
- This product should not be discarded with household waste. Take to your local authority waste disposal centre.

**Note:** If required the next page can be cut out and used as reference throughout the assembly. Keep this page with these instructions for future reference.

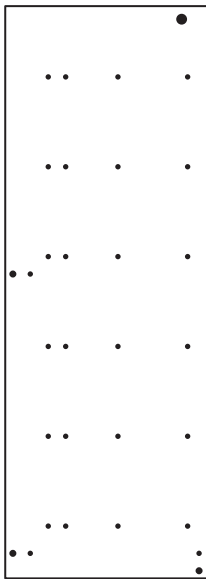
# Components - Panels

If you have damaged or missing components, call the **Customer Helpline: 0870 112 1928** or email: **Help@ClickSpares.co.uk** (quoting your original order number and the reference numbers below)

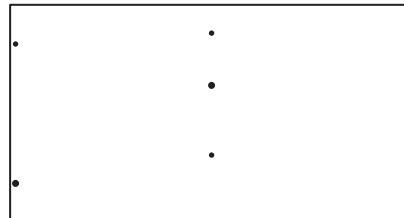
Please check you have all the panels listed below



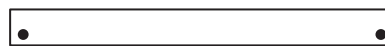
**1** Left Side (D2320B)  
(1051 x 372mm)



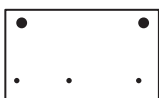
**2** Right Side (D2321B)  
(1051 x 372mm)



**3** Top (D2311A)  
(740 x 396mm)



**4** Rail (D2315A)  
(705 x 66mm) x 3



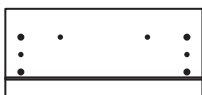
**5** Divider (D2314A)  
(165 x 282mm)



**6** Left Drawer Side (W370-124LH)  
(370 x 124mm) x 7



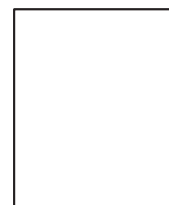
**7** Right Drawer Side (W370-124RH)  
(370 x 124mm) x 7



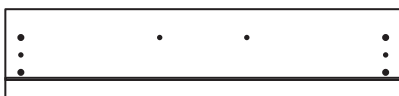
**8** Small Drawer Front (D2309A)  
(362 x 162mm) x 2



**9** Small Drawer Back (W291-124)  
(291 x 124mm) x 2



**10** Small Drawer Base (T304-367)  
(304 x 367mm) x 2



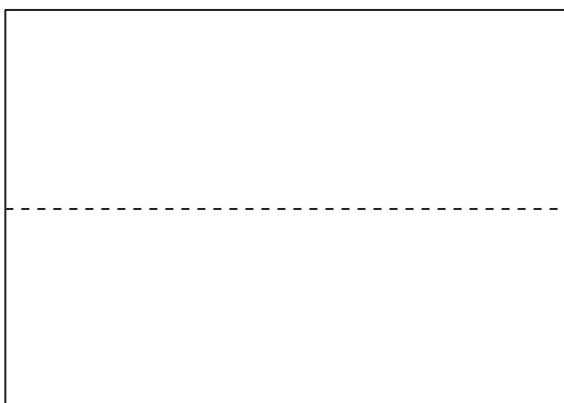
**11** Large Drawer Front (D2316A)  
(727 x 162mm) x 5



**12** Large Drawer Back (W657-124)  
(657 x 124mm) x 5



**13** Large Drawer Base (T668-367)  
(668 x 367mm) x 5



**14** Back (X1030-731)  
(1030 x 731mm)

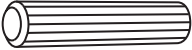
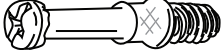



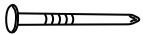



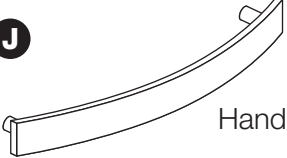




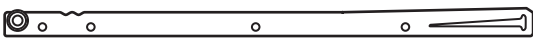

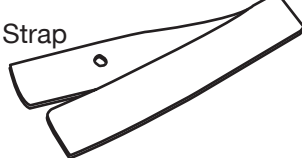




# Components - Fittings

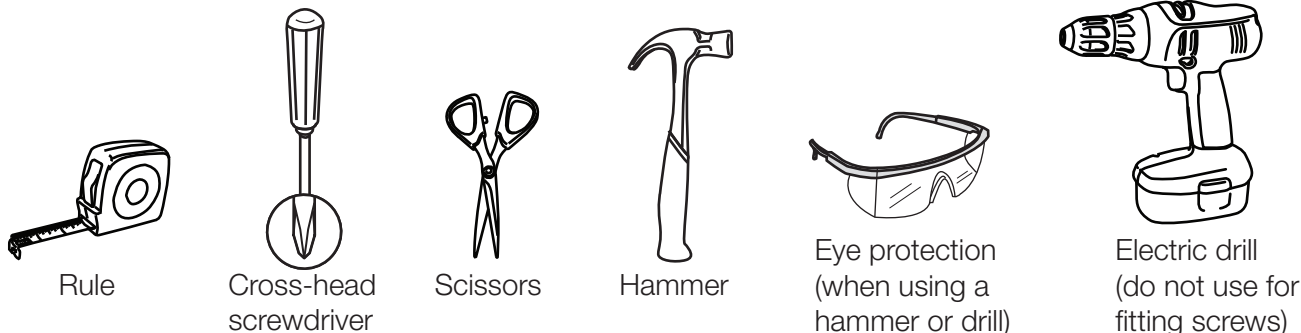
If you have damaged or missing components, call the **Customer Helpline: 0870 112 1928** or **email: Help@ClickSpares.co.uk** (quoting your original order number and the reference numbers below)

Please check you have all the fittings listed below

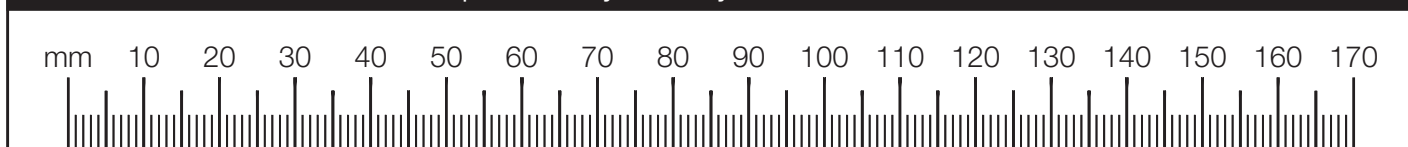
**Note:** The quantities below are the correct amount to complete the assembly. In some cases more fittings may be supplied than are required.

<p><b>A</b> </p> <p>Wooden dowel (F22) x 9</p>	<p><b>B</b> </p> <p>Metal dowel (F901) x 24</p>	<p><b>C</b> </p> <p>Small locking nut (F3) x 14</p>
<p><b>D</b> </p> <p>Large locking nut (F900) x 10</p>	<p><b>E</b> </p> <p>Knock-in Peg (F171GY) x 28</p>	<p><b>F</b> </p> <p>Nail (F51) x 24</p>
<p><b>G</b> </p> <p>19mm Screw (F461) x 14</p>	<p><b>H</b> </p> <p>13mm Screw (F52) x 42</p>	<p><b>I</b> </p> <p>13mm Screw (F63) x 42</p>
<p><b>J</b> </p> <p>Handle (F278) x 7</p>	<p><b>K</b> </p> <p>Wedgefix (F639) x 24</p>	<p><b>L</b> </p> <p>Plastic Nail (F91) x 4</p>
<p><b>M a</b>  L Runner (F159) x 7 ← 350mm long →</p> <p><b>M b</b>  R Runner (F160) x 7</p> <p><b>M c</b>  L Runner (F161) x 7</p> <p><b>M d</b>  R Runner (F162) x 7</p>	<p><b>N</b>  Strap</p> <p> Screw  Washer x 2</p> <p>Overbalance protector kit (F269) x 1</p>	

## Tools required



**Ruler** - Use this ruler to help correctly identify the screws



# Assembly Instructions

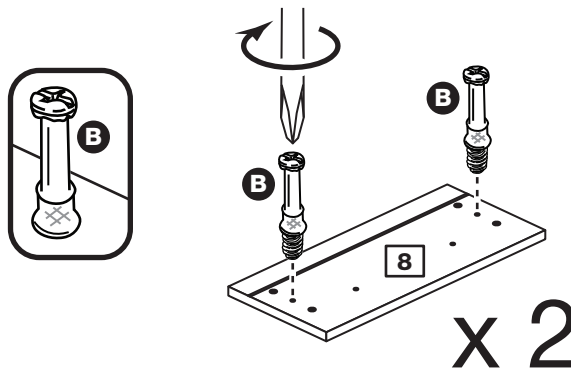
If you have damaged or missing components, call the Customer Helpline: 0870 112 1928 or email: [Help@ClickSpares.co.uk](mailto:Help@ClickSpares.co.uk) (quoting your original order number and the reference numbers below)

## Step 1

### Prepare the 2 small drawer fronts

Screw 2 metal dowels **B** into the holes shown on the back of each of the small drawer fronts **8**.

**Note:** Tighten the metal dowels up fully against the panels.

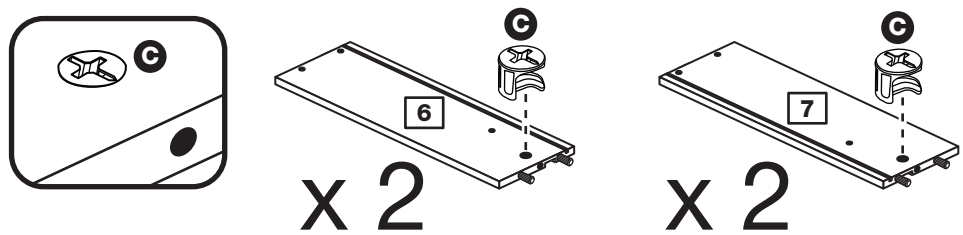


## Step 2

### Prepare the 2 sets of the drawer sides

Insert a small locking nut **C** into the hole shown on the left drawer side **6** and right drawer side **7**.

**Note:** The arrow on the locking nut **must** point towards the hole in the edge of the panel.



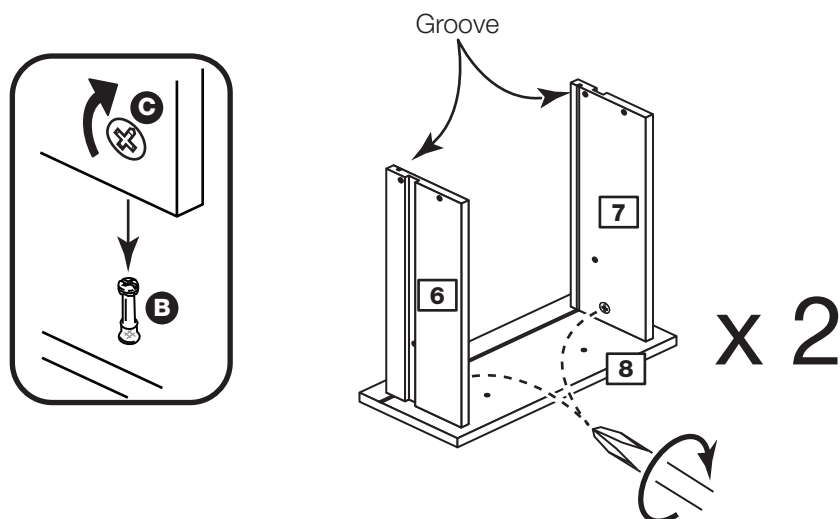
## Step 3

### Attach the drawer sides to the small drawer front

Push the left drawer side **6** and right drawer side **7** onto the back of the small drawer front **8**.

Turn the small locking nuts **C** on the left drawer side **6** and right drawer side **7**.

**Note:** Turn the locking nuts **C** clockwise to secure panels - more than 1/2 a turn.

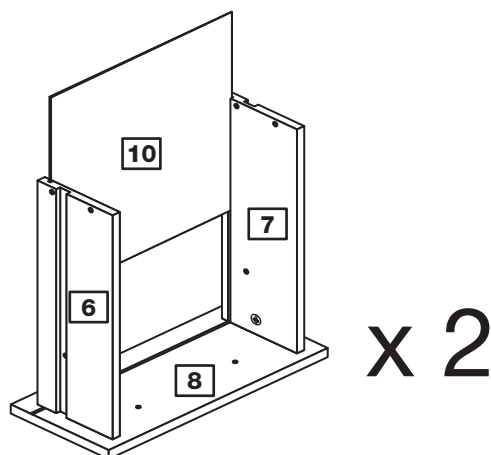


# Assembly Instructions

## Step 4

### Fit the small drawer base

Slide the small drawer base **10** down the grooves in the drawer sides **6** and **7** and down into the groove in the small drawer front **8**.



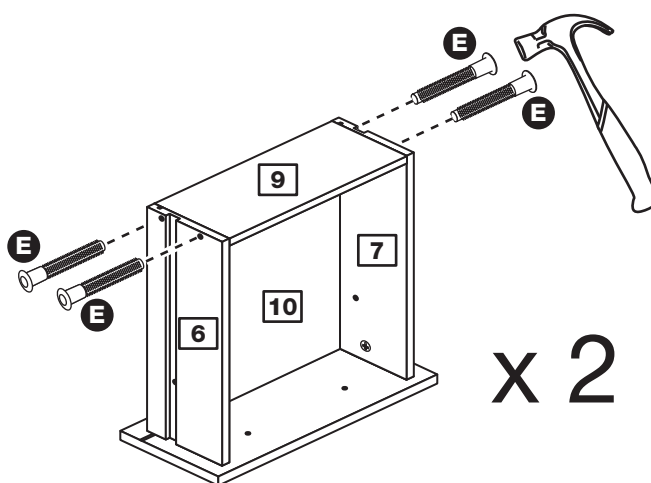
## Step 5

### Fit the small drawer back

Fit the small drawer back **9** between the drawer sides **6** and **7**.

Make sure that the small drawer base **10** fits into the groove in the small drawer back **9**.

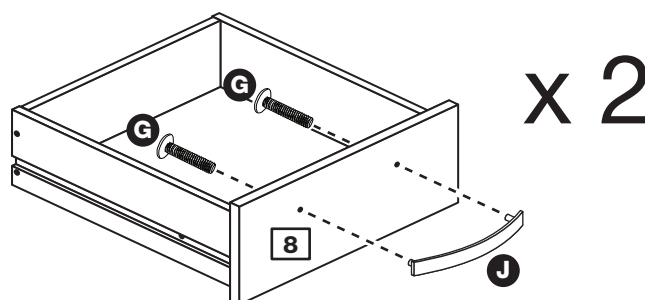
Hold the small drawer back **9** in position and tap the knock-in pegs **E** through the holes in the drawer sides **6** and **7**.



## Step 6

### Attach the handles

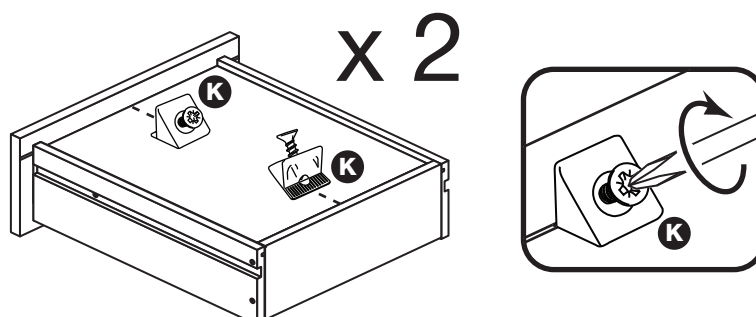
Attach a handle **J** to each of the small drawer fronts **8** using 2 screws **G**.



## Step 7

### Fit the wedgifixes

Turn the small drawer assemblies over and slide 2 wedgifixes **K** into the front and back grooves, as shown, and tighten up the screws.



# Assembly Instructions

## Step 8

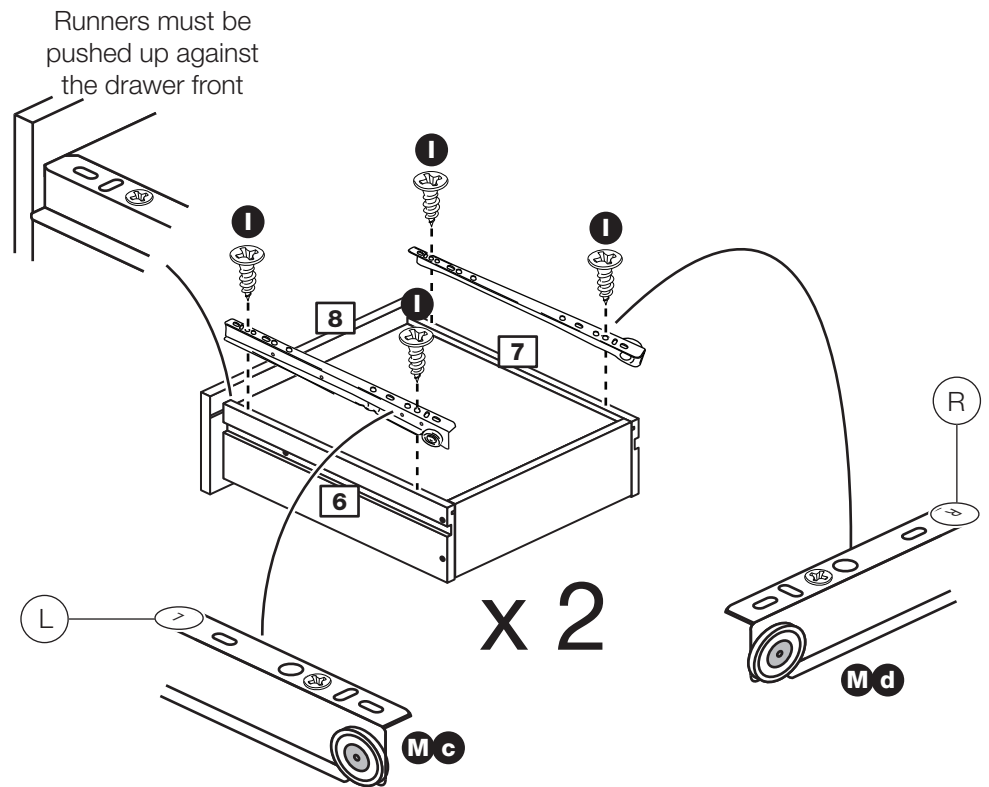
### Fit runners to the small drawers

Turn the 2 small drawer assemblies over.

Fit runner **Md**, marked with 'R', to the bottom edge of the right drawer side **7**, as shown, making sure that it is pushed up against the back of the small drawer front **8**.

Use a bradawl to mark the fixing positions, then secure with 2 screws **I**.

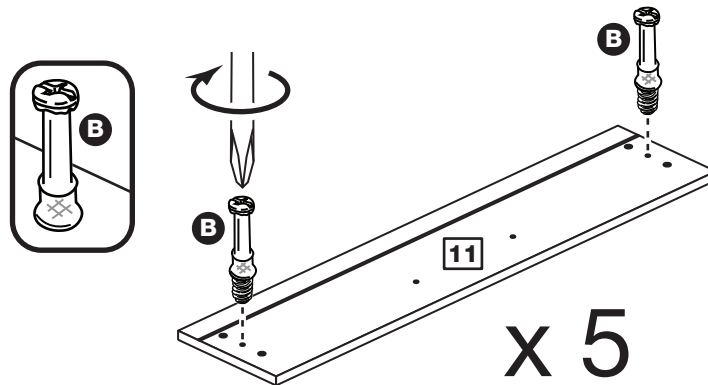
Fit runner **Mc**, marked 'L', to the bottom edge of the left drawer side **6** using the same method.



## Step 9

### Prepare the 5 large drawer fronts

Screw 2 metal dowels **B** into the holes shown on the back of each large drawer front **11**.

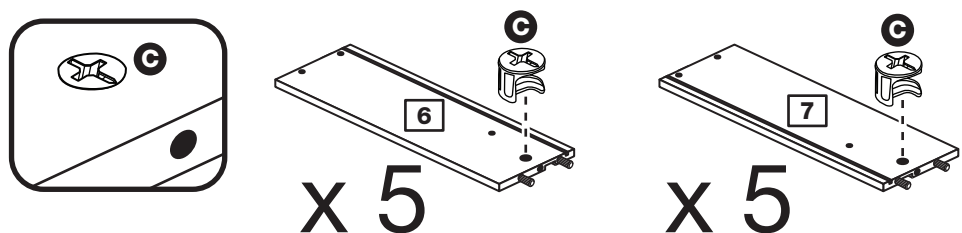


## Step 10

### Prepare 5 sets of drawer sides

Insert a small locking nut **C** into the hole shown on the left drawer side **6** and right drawer side **7**.

**Note:** The arrow on the locking nut **must** point towards the hole in the edge of the panel.



# Assembly Instructions

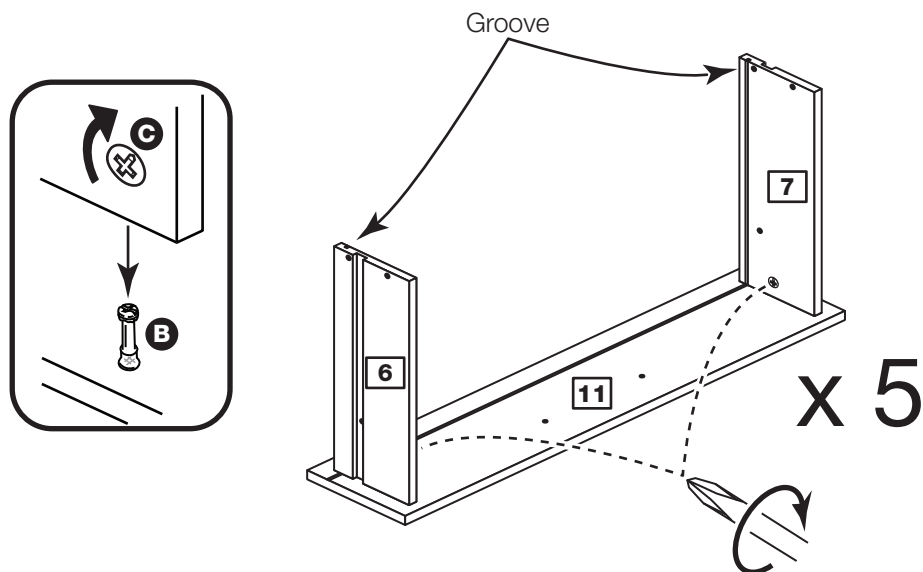
## Step 11

### Attach the drawer sides to the large drawer front

Push the left drawer side **6** and right drawer side **7** onto the back of the large drawer front **11**.

Turn the small locking nuts **C** on the left drawer side **6** and right drawer side **7**.

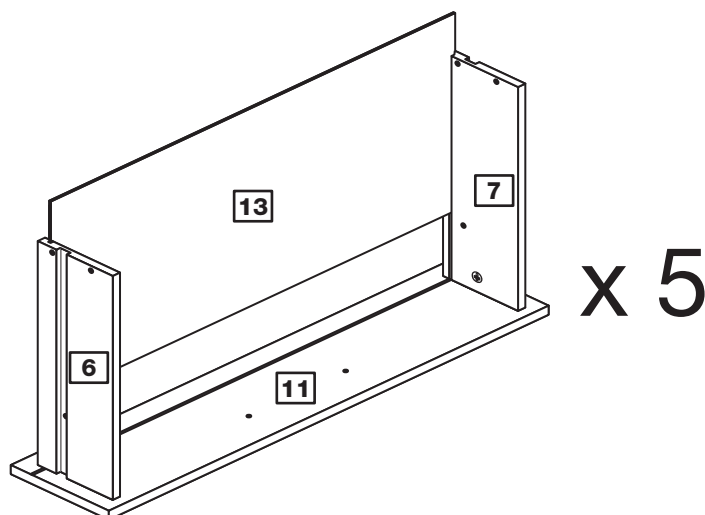
**Note:** Turn the locking nuts **C** clockwise to secure panels - more than 1/2 a turn.



## Step 12

### Fit the large drawer base

Slide the large drawer base **13** down the grooves in the drawer sides **6** and **7** and down into the groove in the large drawer front **11**.



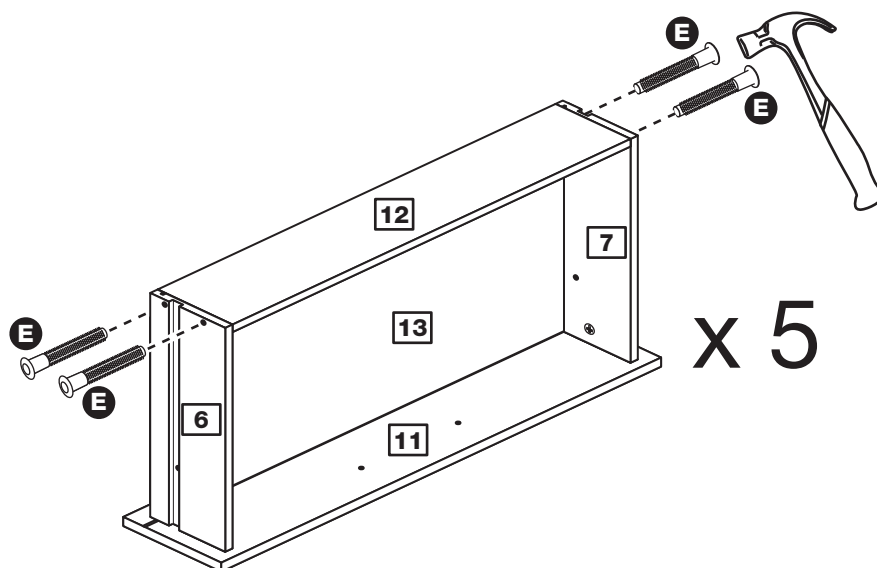
## Step 13

### Fit the large drawer back

Fit the drawer back **12** between the drawer sides **6** and **7**.

Make sure that the drawer base **13** fits into the groove in the drawer back **12**.

Hold the drawer back **12** in position and tap the knock-in pegs **E** through the holes in the drawer sides **6** and **7**.



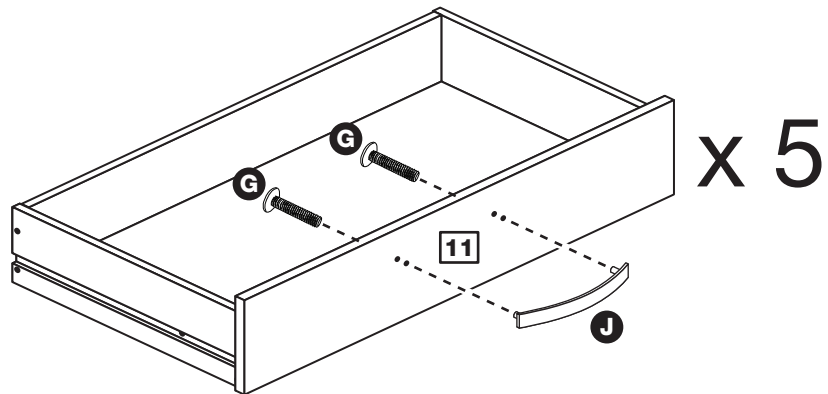


# Assembly Instructions

## Step 14

### Attach the handles

Attach a handle **J** to each of the large drawer fronts **11** using 2 screws **G**.

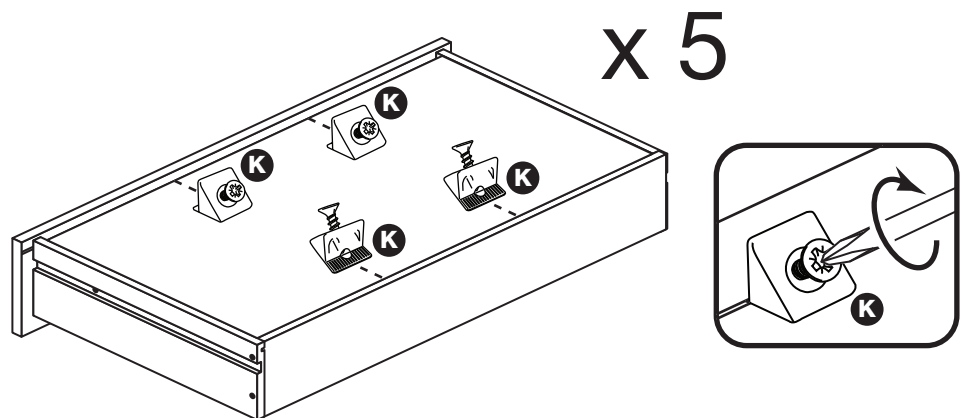


## Step 15

### Fit the wedgexes

**Note:** Before adding the wedgexes, make sure the assembled drawer is square.

Turn the drawer assemblies over and slide 4 wedgexes **K** into the front and back grooves, as shown, and tighten up the screws.



## Step 16

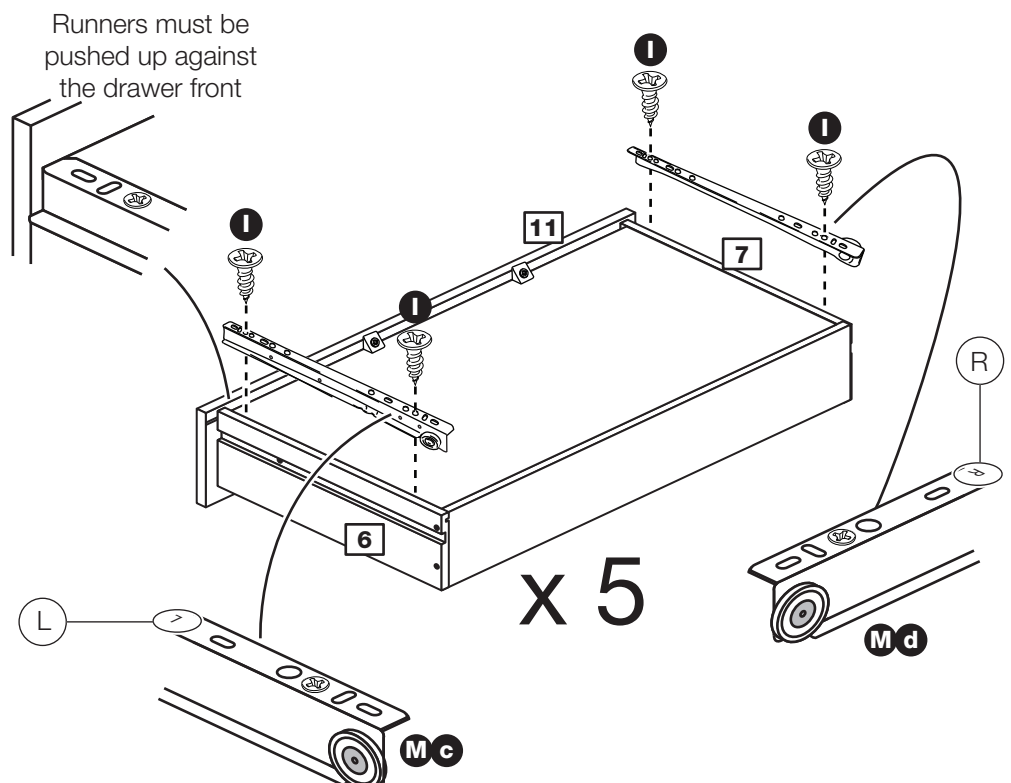
### Fit runners to the large drawers

Turn the 5 large drawer assemblies over.

Fit runner **Md**, marked with 'R', to the bottom edge of the right drawer side **7**, as shown, making sure that it is pushed up against the back of the large drawer front **11**.

Use a bradawl to mark the fixing positions, then secure with 2 screws **I**.

Fit runner **Mc**, marked 'L', to the bottom edge of the left drawer side **6** using the same method.



# Assembly Instructions

## Step 17

### Prepare the left side

**a:** Fit 6 runners **Ma** to the left side **1**.

The 1st screw **H** uses the 2nd hole in from the front of the runner.

The 2nd and 3rd screws **H** use the holes that line up with the other panel holes.

**b:** Fit a screw **I** into the 2nd hole in at the top of the runners **Ma**.

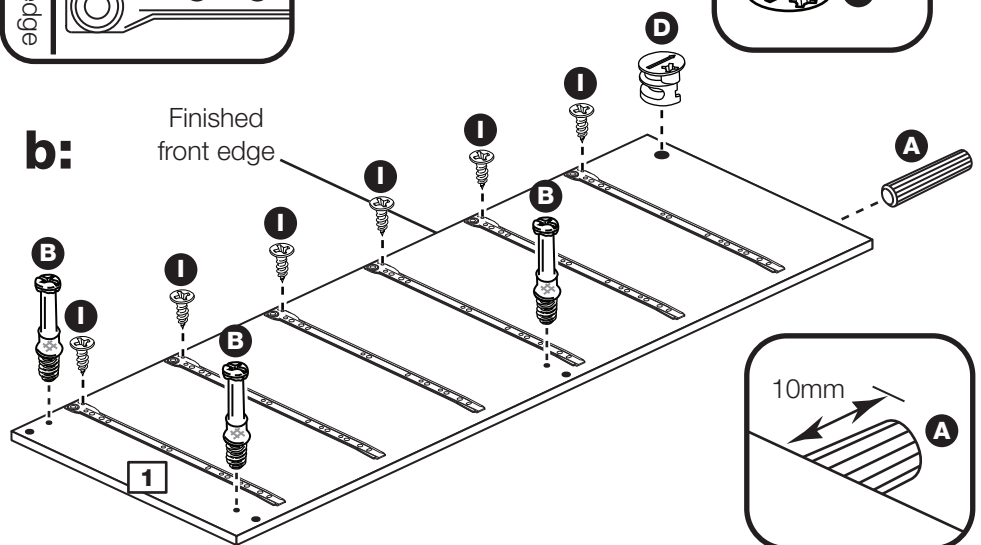
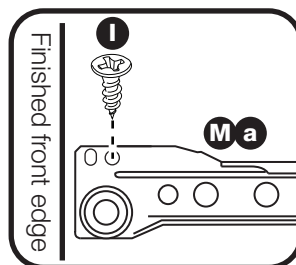
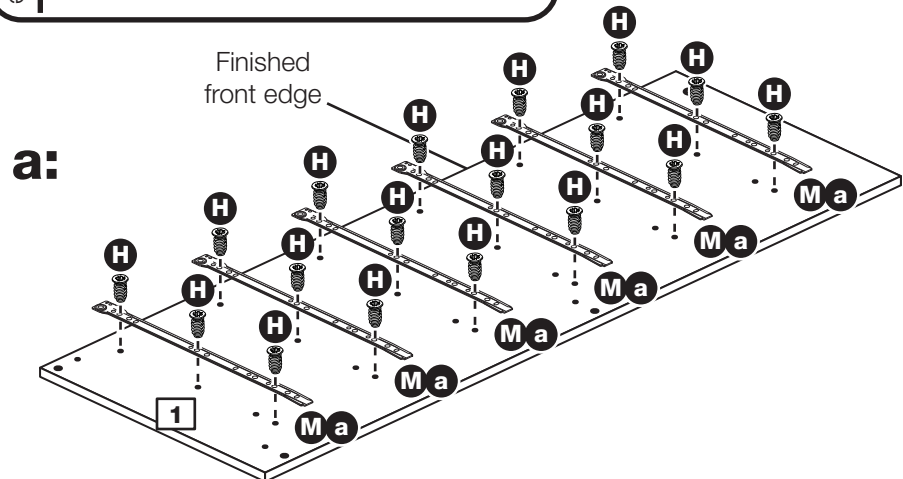
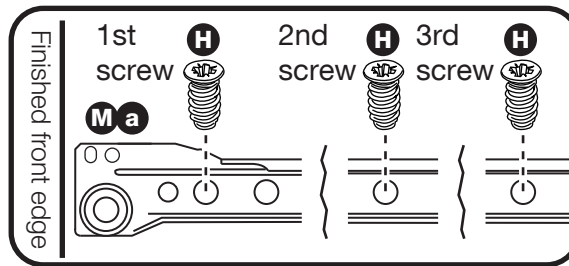
Screw 3 metal dowels **B** into the left side **1**.

Insert a large locking nut **D** into the left side **1**.

**Note:** The arrow on the locking nut **must** point towards the hole in the edge of the panel.

Tap a wooden dowel **A** into the left side **1**.

**Note:** Wooden dowels **must not** stick out from the edge by more than 10mm or they may damage other panels.



# Assembly Instructions

## Step 18

### Prepare the right side

**a:** Fit 6 runners **M b** to the right side **2**.

The 1st screw **H** uses the 2nd hole in from the front of the runner.

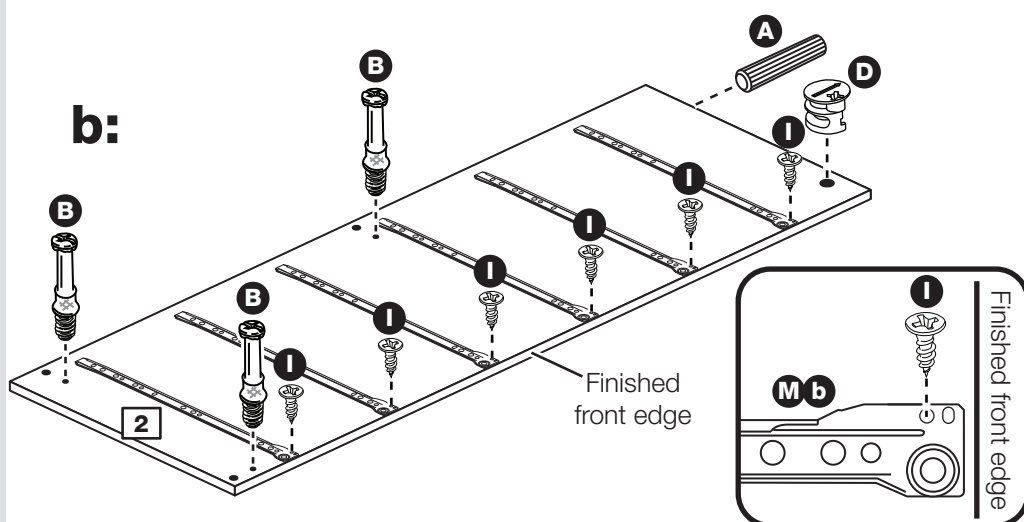
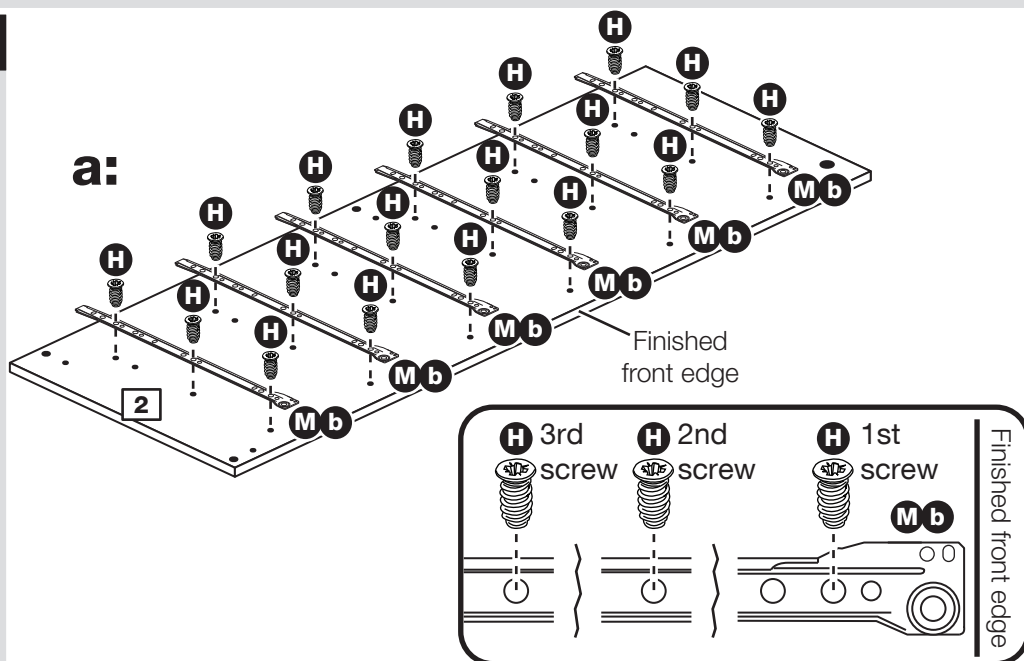
The 2nd and 3rd screws **H** use the holes that line up with the other panel holes.

**b:** Fit a screw **I** into the 2nd hole in at the top of the runner **M b**.

Screw 3 metal dowels **B** into the right side **2**.

Insert a large locking nut **D** into the right side **2**.

Tap a wooden dowel **A** into the right side **2**.

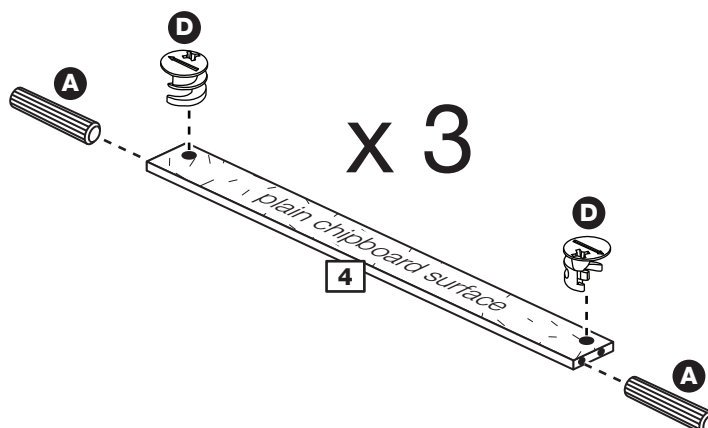


## Step 19

### Prepare the 3 rails

Tap 2 wooden dowels **A** into each rail **4**.

Insert 2 large locking nuts **D** into each rail **4**.



# Assembly Instructions

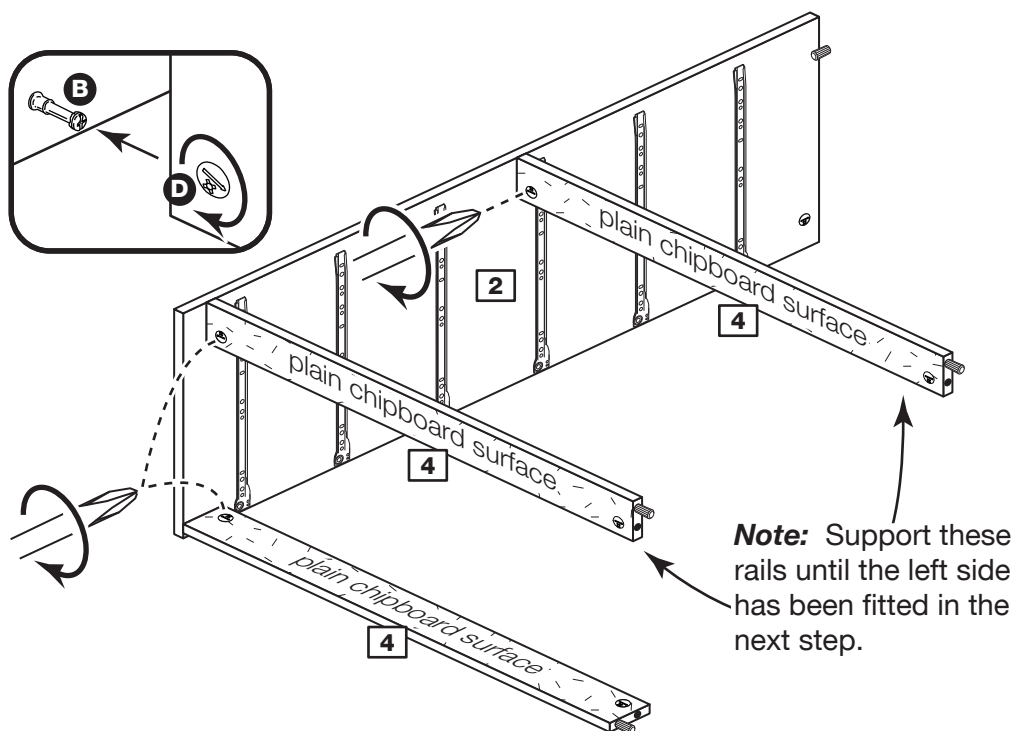
## Step 20

### Join the right side and rails

Push the 3 rails **4** onto the right side **2**.

Use a screwdriver to tighten the 3 large locking nuts **D** fitted to the rails **4**.

**Note:** Turn the large locking nuts **D** as far as they will go - more than 1/2 a turn.

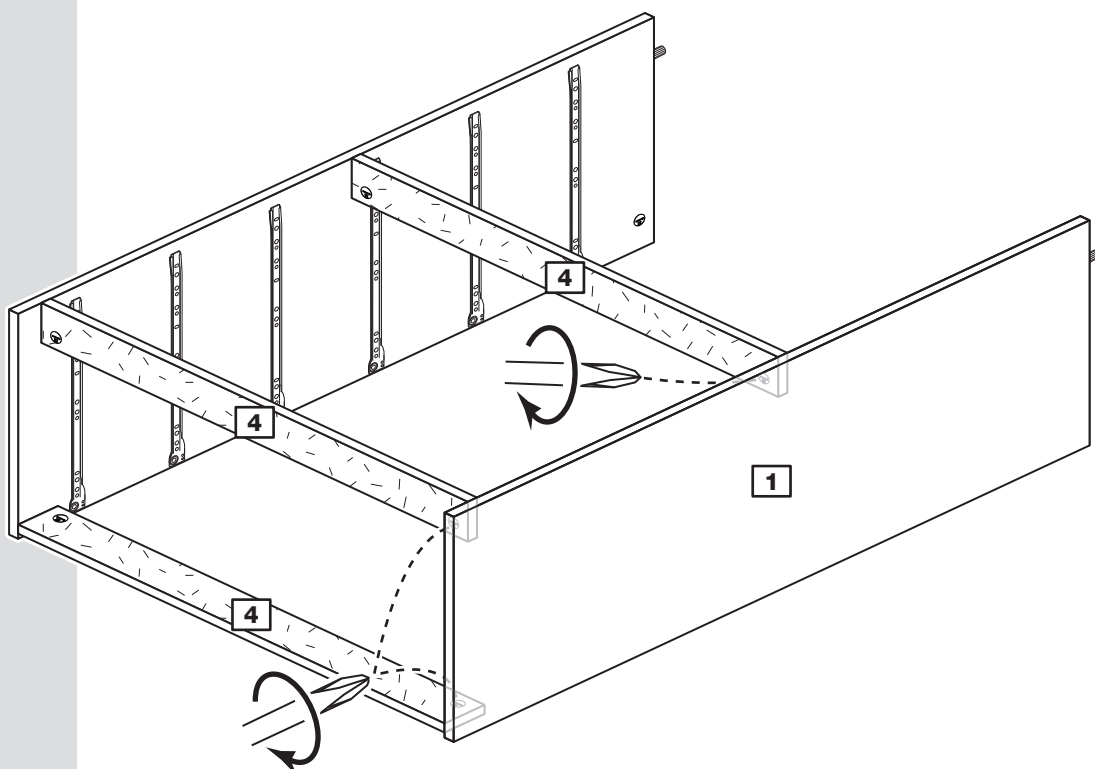


## Step 21

### Fit the left side

Push the left side **1** onto the 3 rails **4**.

Use a screwdriver to tighten the 3 large locking nuts **D** fitted to the rails **4**.



# Assembly Instructions

## Step 22

### Prepare both surfaces of the divider

**Note:** The colour of the divider may differ from the main unit colour.

**a:** Fit a runner **M b** to the divider **5**.

The 1st screw **H** uses the 2nd hole in from the front of the runner.

The 2nd and 3rd screws **H** use the holes that line up with the other panel holes.

**b:** Fit a screw **I** into the 2nd hole in at the top of the runner **M b**.

Insert 2 large locking nuts **D** into the divider **5**.

### Turn the divider over

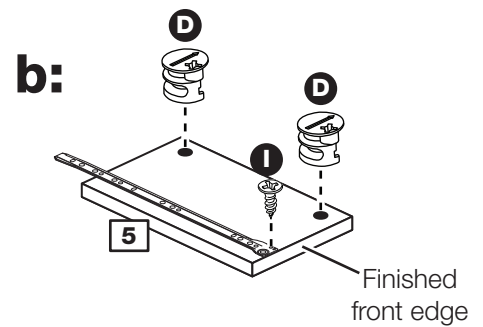
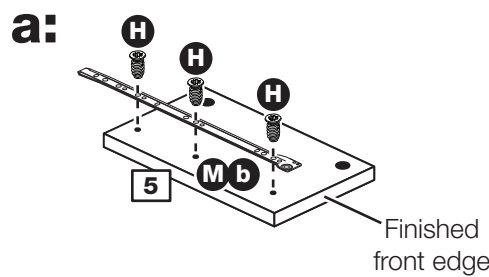
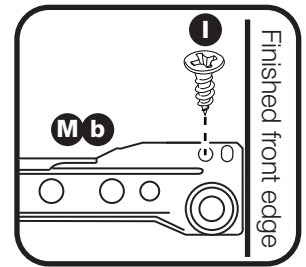
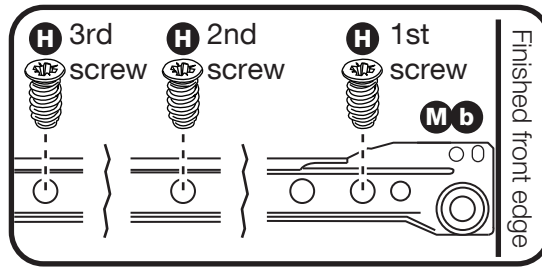
**c:** Fit a runner **M a** to the divider **5**.

The 1st screw **H** uses the 2nd hole in from the front of the runner.

The 2nd and 3rd screws **H** use the holes that line up with the other panel holes.

**d:** Fit a screw **I** into the 2nd hole in at the top of the runner **M a**.

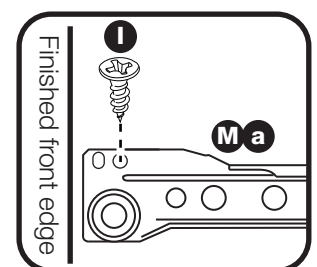
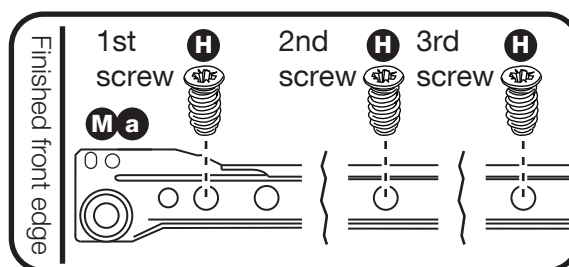
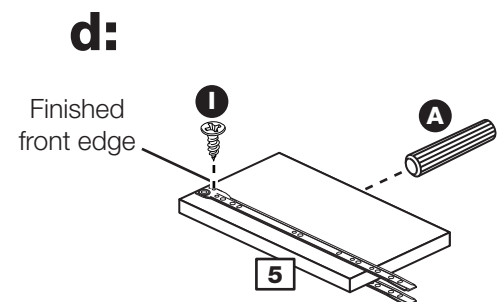
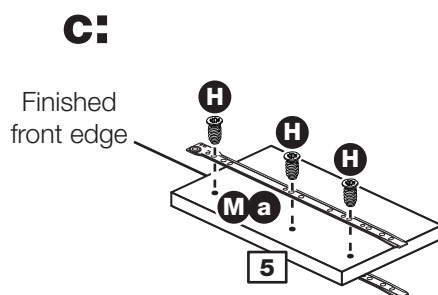
Tap a wooden dowel **A** into the divider **5**.



**Note:** Due to the manufacturing process, the 2 holes for the large locking nut can be on either surface of the divider.



Turn the divider over

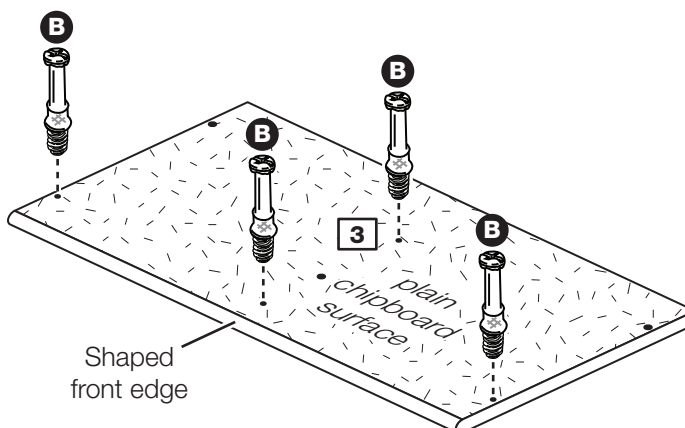


# Assembly Instructions

## Step 23

### Prepare the top

Screw 4 metal dowels **B** into the top **3**.

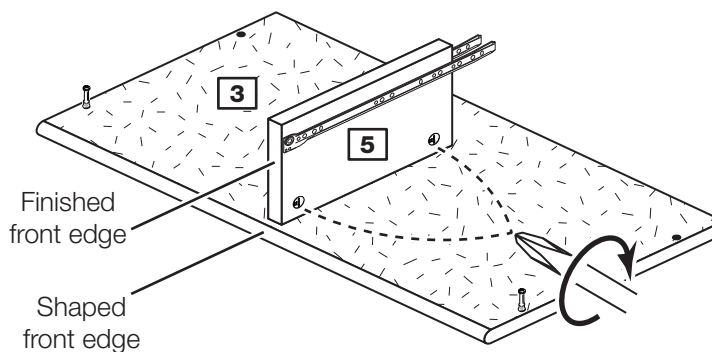


## Step 24

### Join the divider and top

Push the divider **5** onto the top **3**.

Use a screwdriver to tighten the 2 large locking nuts **D** fitted to the divider **5**.

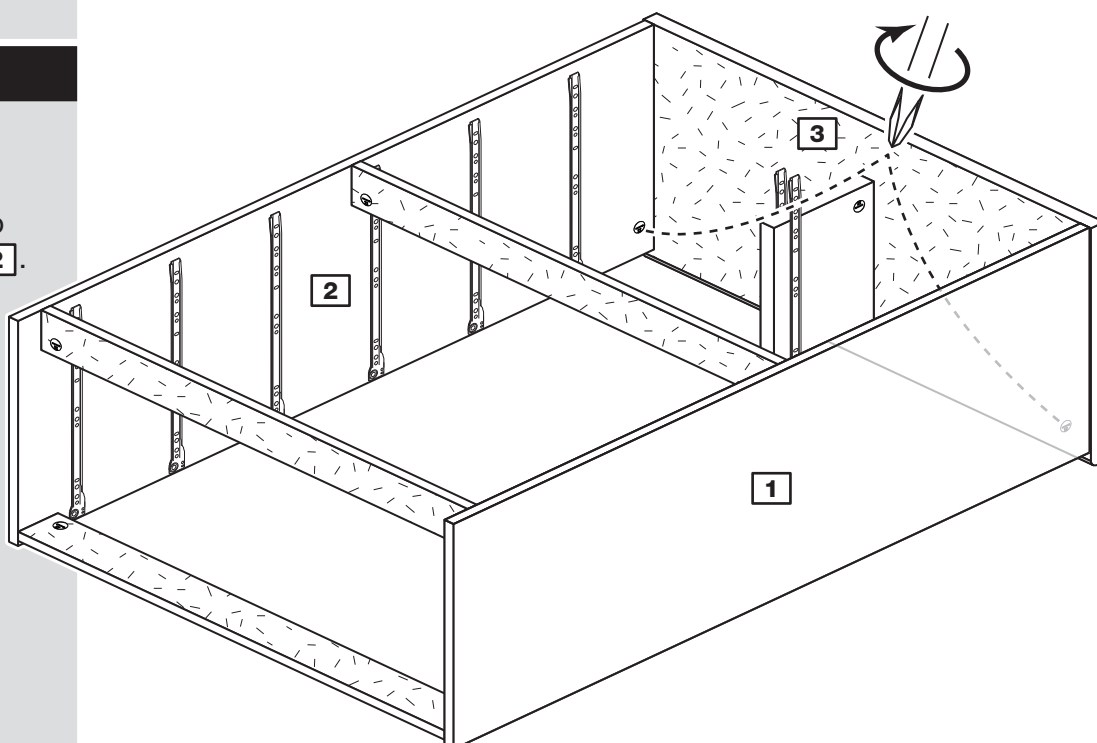


## Step 25

### Fit the top

Push the top **3** onto the 2 sides **1** and **2**.

Use a screwdriver to tighten the 2 large locking nuts **D** fitted to the sides **1** and **2**.

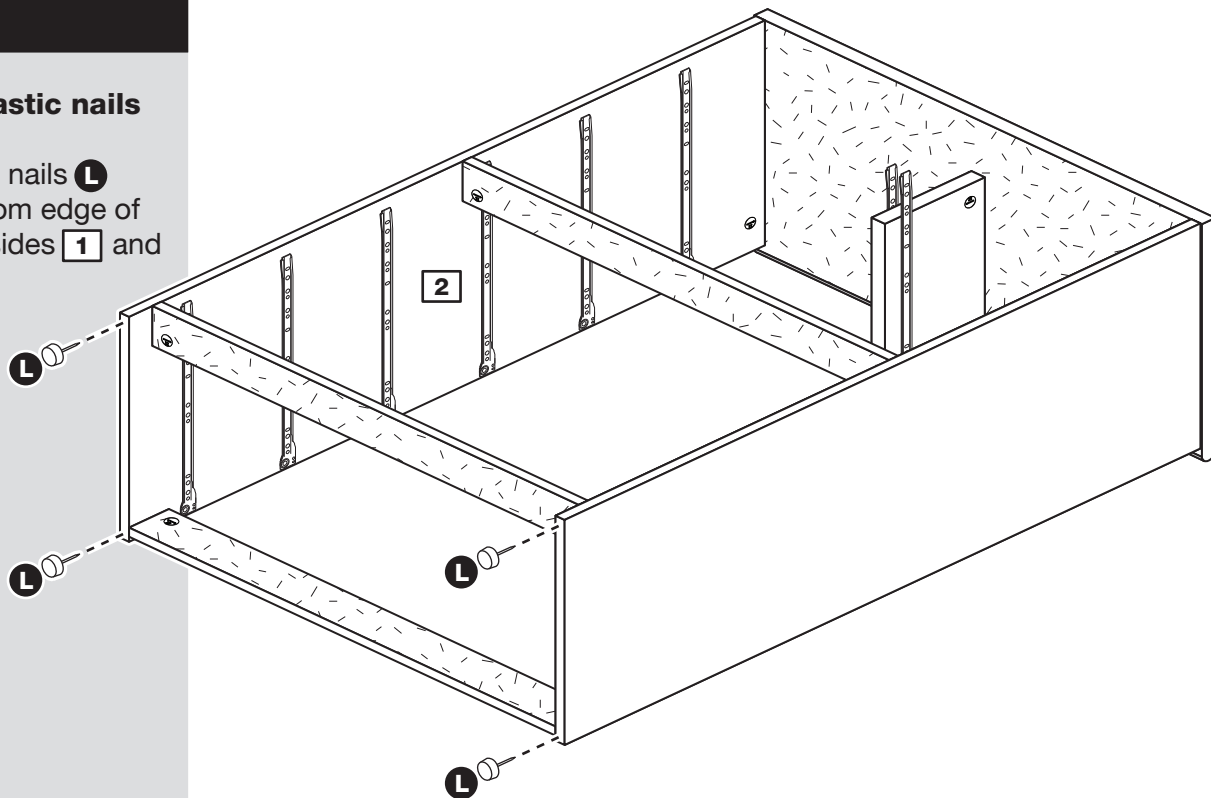


# Assembly Instructions

## Step 26

### Fit the 4 plastic nails

Tap 2 plastic nails **L** into the bottom edge of each of the sides **1** and **2**.



## Step 27

### Fit the back

**a:** Square up the unit by making sure that measurement **x to x** equals **y to y**.

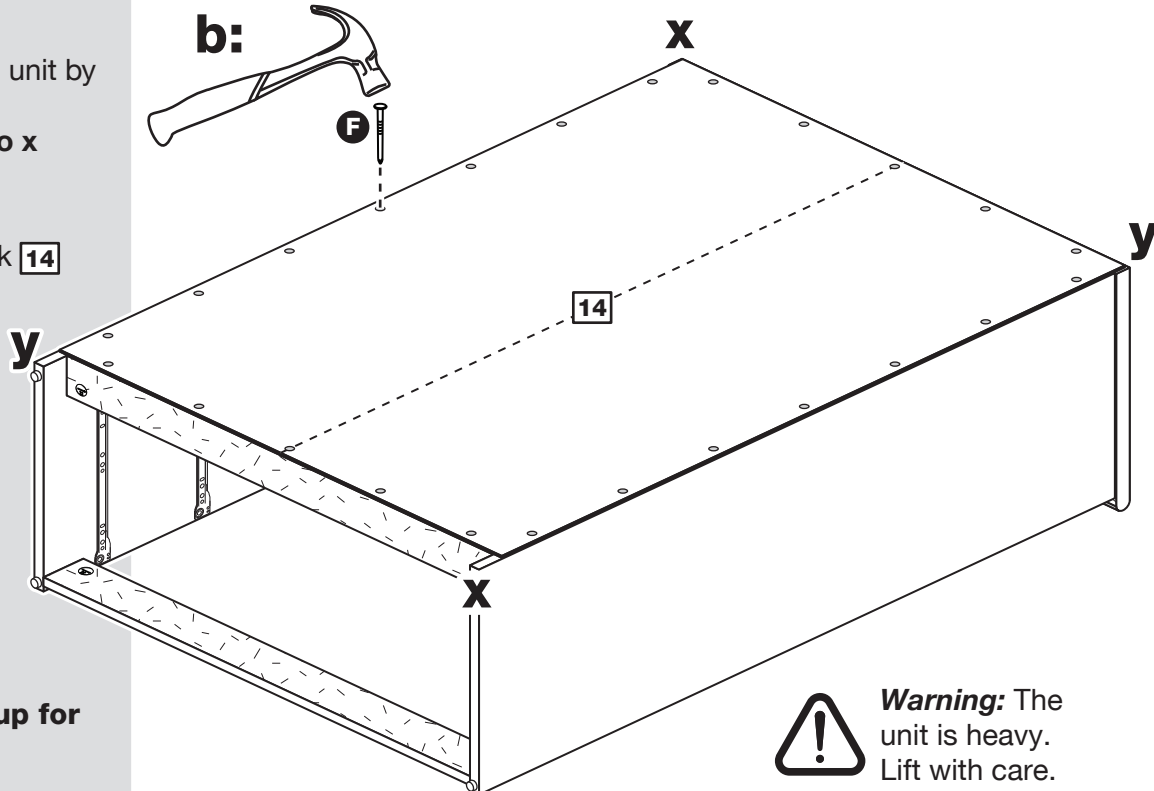
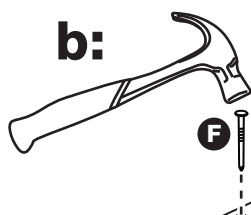
**b:** Place the back **14** onto the unit.

Nail **F** around the outside edges of the back **14**.

**Note:** Nails should be spaced about 150mm apart.

**Stand the unit up for the next step.**

**a:** The measurement from top corner X to bottom corner X must be equal to the measurement from top corner Y to bottom corner Y



**Warning:** The unit is heavy. Lift with care.

# Assembly Instructions

## Step 28

### Fit the overbalance protector kit and the drawers

To prevent possible overbalancing we recommend that this unit is secured to a suitable wall by fitting of the overbalance protector kit **N** to the unit, or an alternative fixing method of your choice.

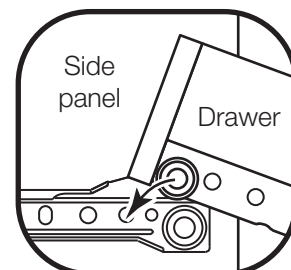
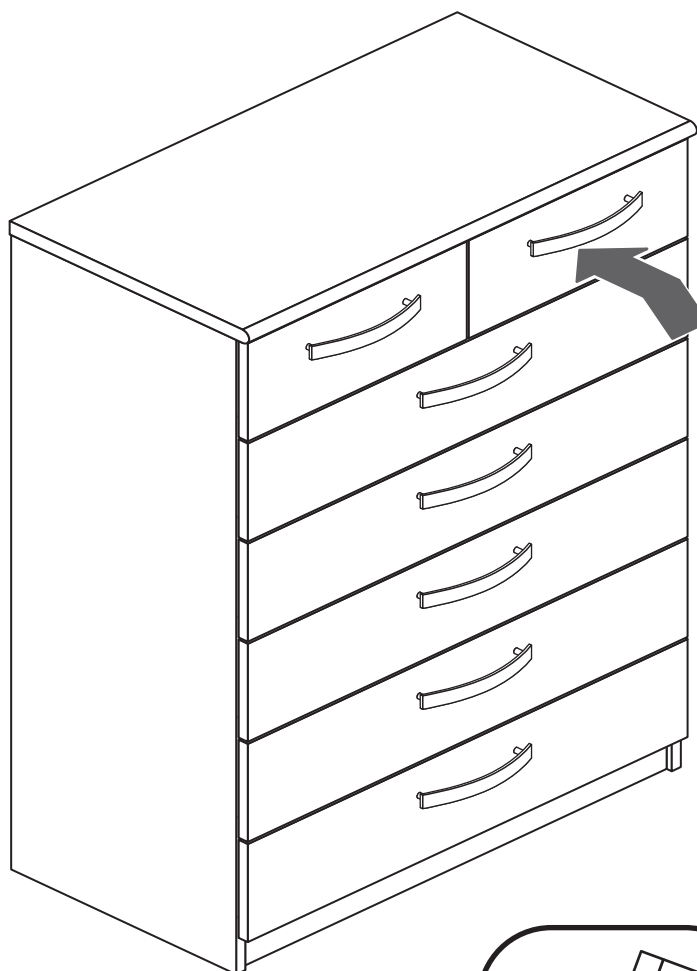
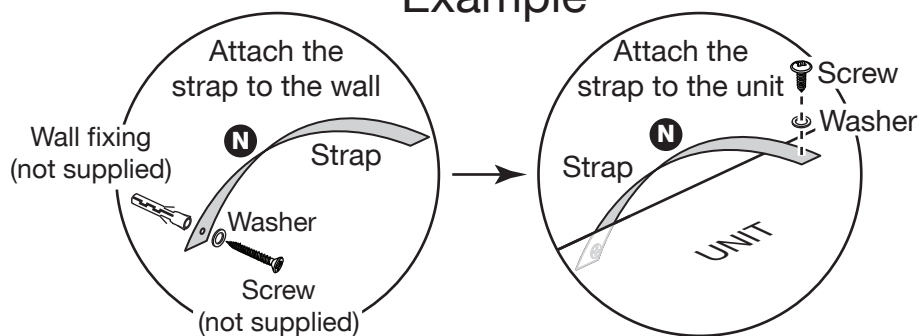
Wall fixings are not supplied as they will need to suit the wall type.

**Note:** Take care when drilling the wall that you do not drill into any pipes, wires etc. If in doubt, consult an expert.

Slide the wheels of the runners fitted to the drawers, over the wheels of the runners fitted to the unit and push the drawers into position.

**Assembly is complete**

### Example



If you need help or have damaged or missing parts, call the **Customer Helpline: 0870 112 1928** or email: [Help@ClickSpares.co.uk](mailto:Help@ClickSpares.co.uk) (quoting your original order number and the reference numbers on the component pages)  
Argos Ltd, 489-499 Avebury Boulevard, Central Milton Keynes, MK9 2NW