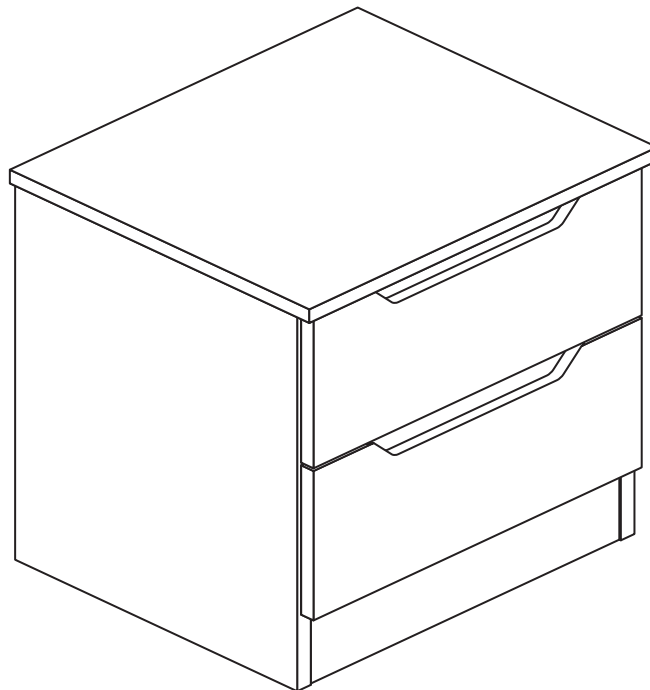




# FIRST TEAM

## FURNITURE



### Assembly Instructions

IMPORTANT - Carefully read these instructions before starting the assembly  
Please keep for future reference



MADE IN  
BRITAIN

#### Dimensions

Width - 46cm

Depth - 40cm

Height - 52cm



# Safety and Care Advice

**Important** - Please read these instructions fully before starting assembly

- **Warning:** This unit weighs approximately 13kgs. Please lift with care.

- Check you have all the components and tools listed on pages 2 and 3.

- Remove all fittings from the plastic bags and separate them into their groups.

- Keep children and animals away from the work area, small parts could choke if swallowed.

- Parts of the assembly will be easier with 2 people.

- Make sure you have enough space to layout the parts before starting.

- Do not stand or put weight on the product, this could cause damage.

- Assemble the item as close to its final position (in the same room) as possible.

- Assemble on a soft level surface to avoid damaging the unit or your floor (use opened out unit carton).



- We do not recommend the use of power drill/drivers **for inserting screws**, as this could damage the unit. Only use hand screwdrivers.

- **Safety note:** If there is any chance of this unit being pulled over by children etc. it is recommended that the unit is secured to a wall using suitable fixings (not supplied).

- Dispose of all packaging carefully and responsibly.

## Care and maintenance

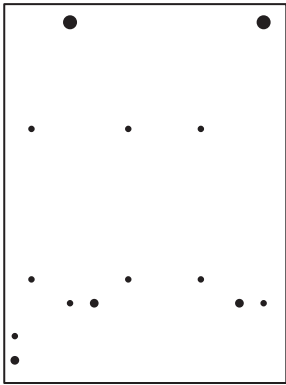
- Only clean using a damp cloth and mild detergent, do not use bleach or abrasive cleaners.

- From time to time check that there are no loose screws on this unit.

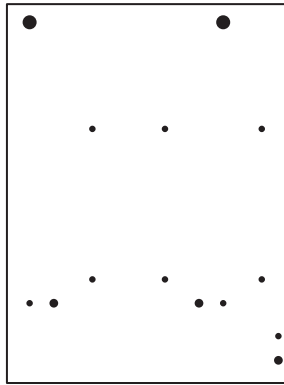
- This product should not be discarded with household waste. Take to your local authority waste disposal centre.

**Note:** If required the next page can be cut out and used as reference throughout the assembly. Keep this page with these instructions for future reference.

# Panels - Please check you have all the panels listed below



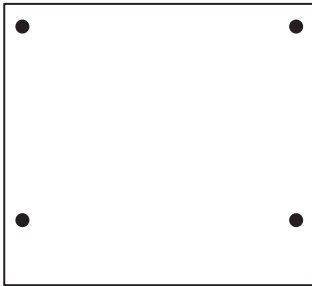
**1** Left Side (*D2899A*)  
(501 x 373mm)



**2** Right Side (*D2900A*)  
(501 x 373mm)



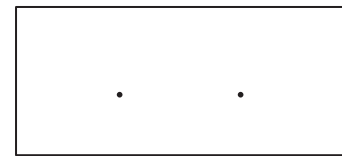
**3** Top (*D2898A*)  
(460 X 396mm)



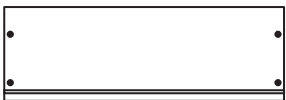
**4** Base (*D2901A*)  
(410 x 372mm)



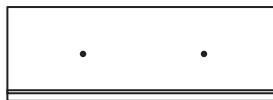
**5** Plinth (*D2902A*)  
(410 x 96mm)



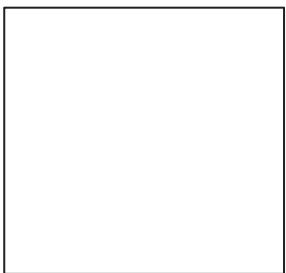
**6** Drawer Front (*D2909A*)  
(434 x 196mm) x 2



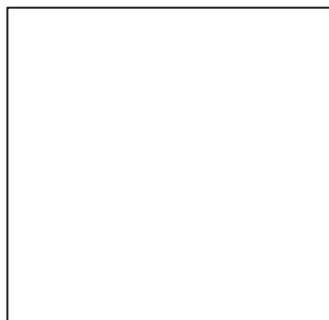
**7** Wrap Side (*W370-124*)  
(370 x 124mm) x 4



**8** Drawer Wrap (*AW359-124*)  
(359 x 124mm) x 4



**9** Drawer Base (*T370-352*)  
(370 x 352mm) x 2

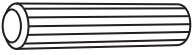
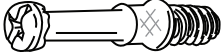

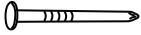






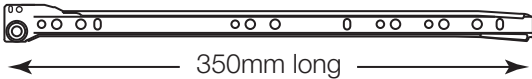

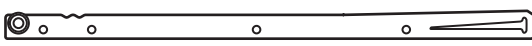
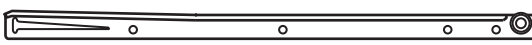


**10** Back (*X434-415*)  
(434 x 415mm)

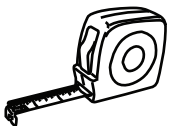


# Fittings – Please check you have all the fittings listed below

**Note:** The quantities below are the correct amount to complete the assembly. In some cases more fittings may be supplied than are required.

<p><b>A</b> </p> <p>Wooden dowel (F22) x 10</p>	<p><b>B</b> </p> <p>Metal dowel (F901) x 10</p>	<p><b>C</b> </p> <p>Large locking nut (F900) x 10</p>
<p><b>D</b> </p> <p>Nail (F51) x 12</p>	<p><b>E</b> </p> <p>Wedgefix (F639) x 4</p>	<p><b>F</b> </p> <p>Plastic Nail (F91) x 4</p>
<p><b>G</b> </p> <p>25mm Screw (F281) x 4</p>	<p><b>H</b> </p> <p>13mm Screw (F52) x 12</p>	<p><b>I</b> </p> <p>13mm Screw (F63) x 12</p>
<p><b>J</b> </p> <p>Knock-in Peg (F171WH) x 16</p>	<p><b>K a</b>  L Runner (F159) x 2 ← 350mm long →</p> <p><b>K b</b>  R Runner (F160) x 2</p> <p><b>K c</b>  L Runner (F161) x 2</p> <p><b>K d</b>  R Runner (F162) x 2</p>	

## Tools required



Rule



Cross-head screwdriver



Scissors

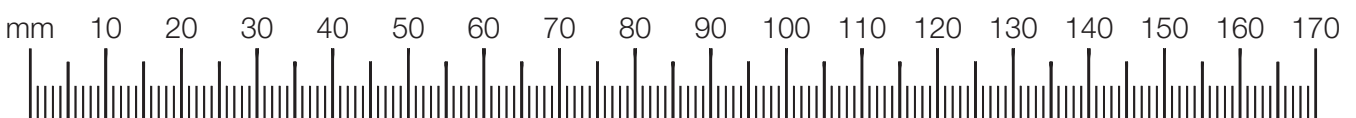


Hammer



Eye protection  
(when using a hammer or drill)

## Ruler - Use this ruler to help correctly identify the screws



# Assembly Instructions

## Step 1

### Prepare the Left Side

**a:** Fit 2 runners **K a** to the left side **1**.

The 1st screw **H** uses the 2nd hole in from the front of the runner.

The 2nd and 3rd screws **H** use the holes that line up with the other panel holes.

**b:** Fit a screw **I** into the 2nd hole in at the top of the runner **K a**.

**c:** Tap 2 wooden dowels **A** into the left side **1**.

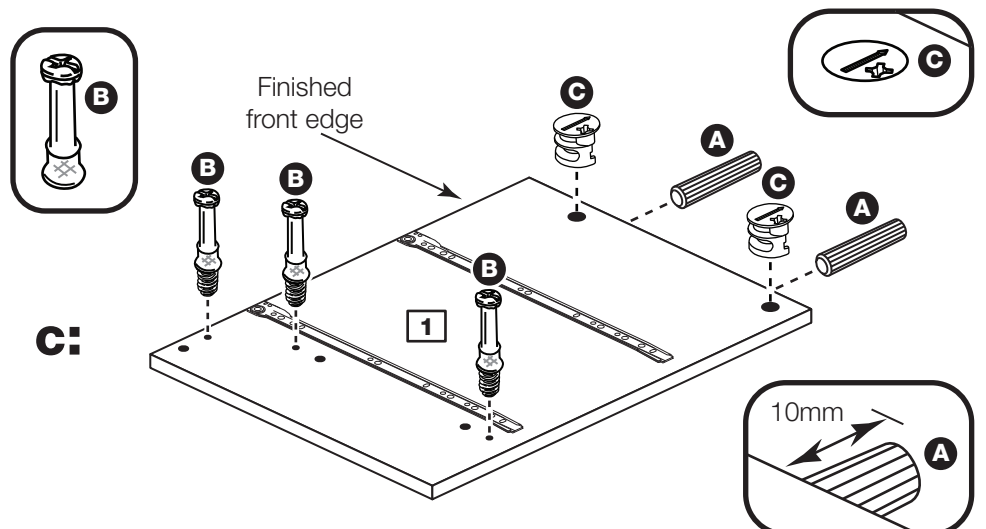
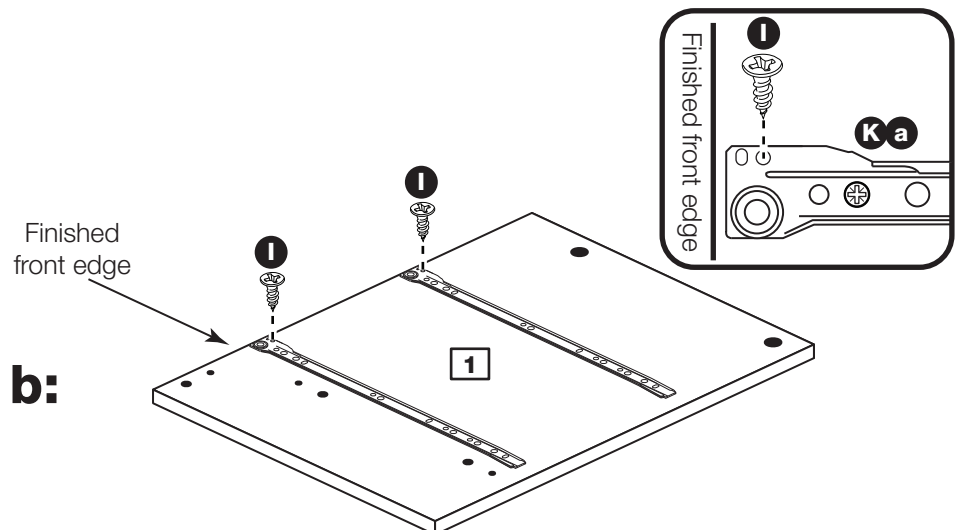
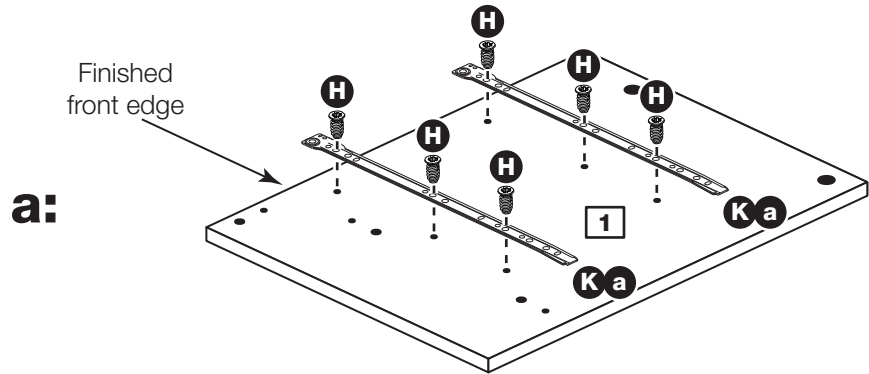
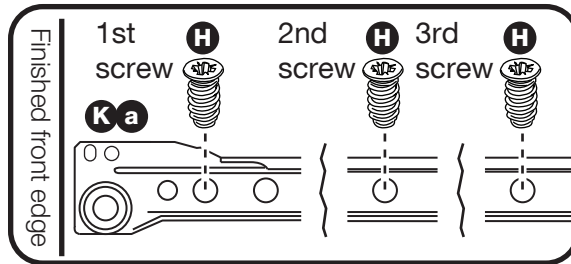
**Note:** Wooden dowels **must not** stick out from the edge by more than 10mm or they may damage other panels.

Screw 3 metal dowels **B** into the left side **1**.

**Note:** Tighten the metal dowels up fully against the panels.

Insert 2 large locking nuts **C** into the left side **1**.

**Note:** The arrow on the locking nuts **must** point towards the hole in the edge of the panel.



# Assembly Instructions

## Step 2

### Prepare the Right Side

**a:** Fit 2 runners **Kb** to the right side **2**.

The 1st screw **H** uses the 2nd hole in from the front of the runner.

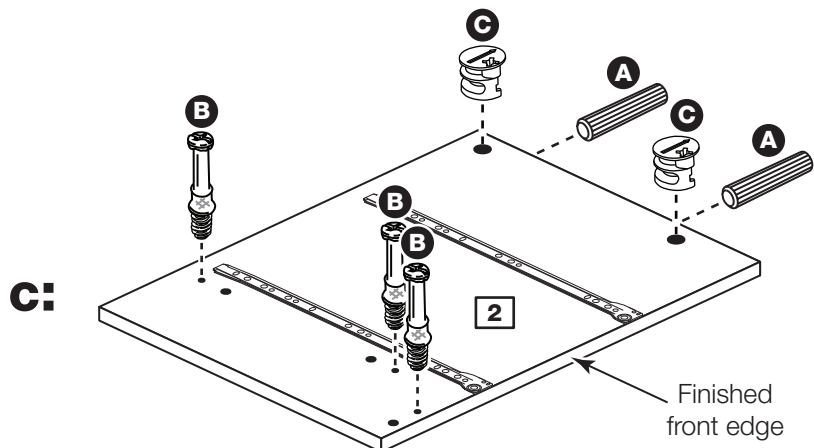
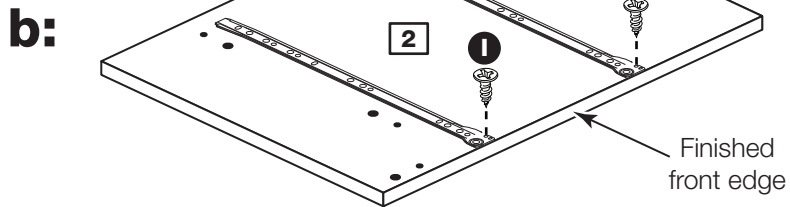
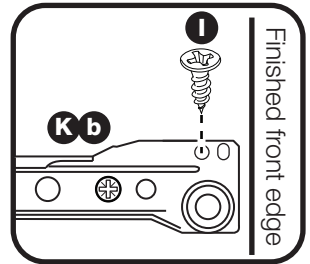
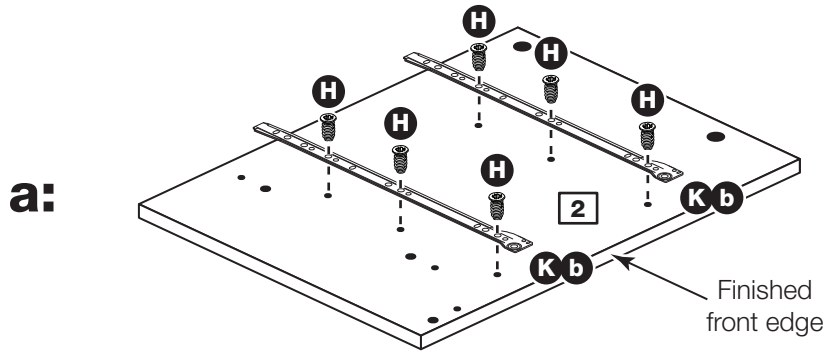
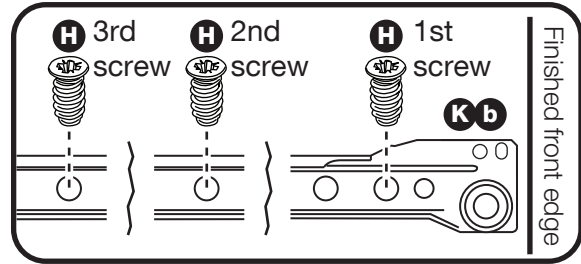
The 2nd and 3rd screws **H** use the holes that line up with the other panel holes.

**b:** Fit a screw **I** into the 2nd hole in at the top of the runner **Kb**.

**c:** Tap 2 wooden dowels **A** into the right side **2**.

Screw 3 metal dowels **B** into the right side **2**.

Insert 2 large locking nuts **C** into the right side **2**.



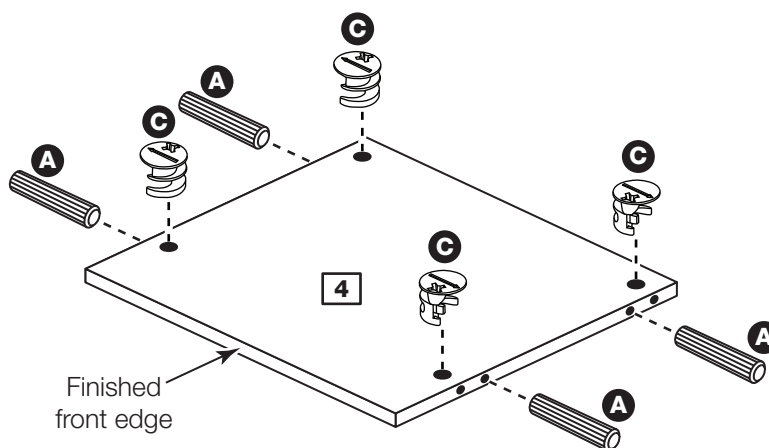
# Assembly Instructions

## Step 3

### Prepare the Base

Tap 4 wooden dowels **A** into the base **4**.

Insert 4 large locking nuts **C** into the base **4**.



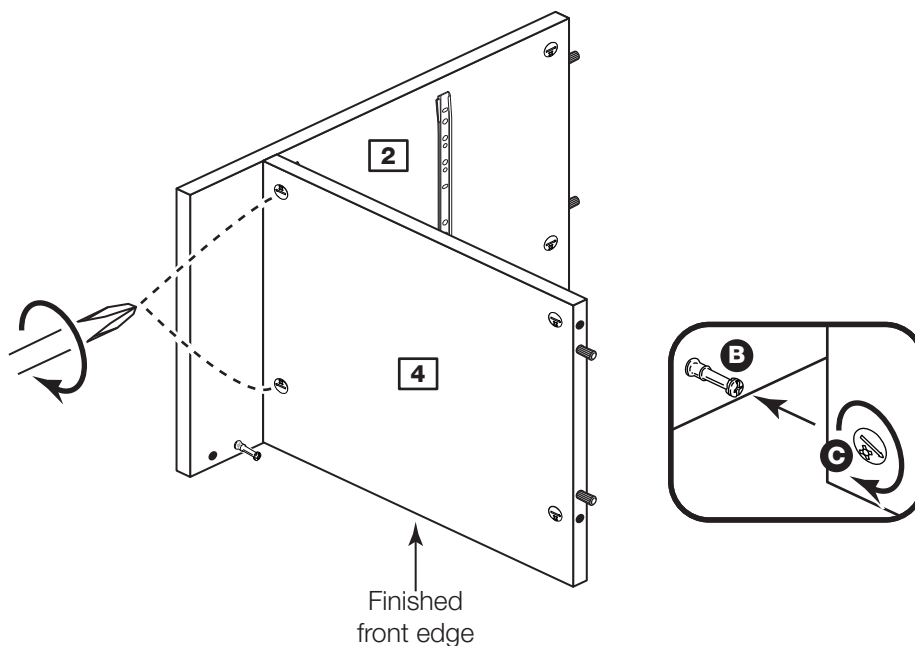
## Step 4

### Fit the Base to the Right Side

Push the base **4** onto the right side **2**.

Use a screwdriver to tighten the 2 large locking nuts **C** fitted to the base **4**.

**Note:** Turn the large locking nuts **C** as far as they will go - more than 1/2 a turn.

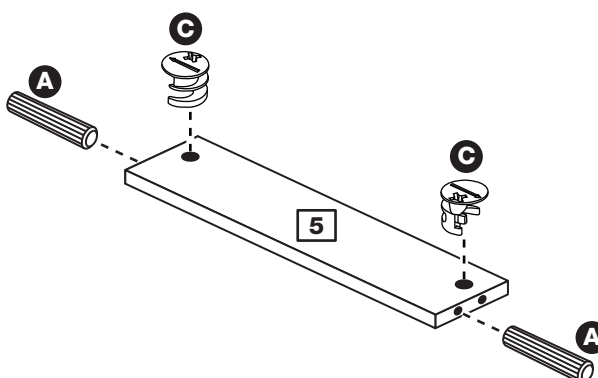


## Step 5

### Prepare the Plinth

Tap 2 wooden dowels **A** into the plinth **5**.

Insert 2 large locking nuts **C** into the plinth **5**.



# Assembly Instructions

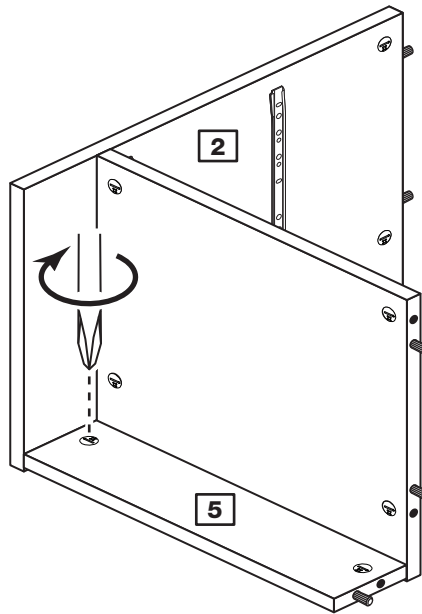
## Step 6

### Fit the Plinth to the Right Side

Push the plinth **5** onto the right side **2**.

Use a screwdriver to tighten the large locking nut **C** fitted to plinth **5**.

**Note:** Turn the large locking nut **C** as far as it will go - more than 1/2 a turn.

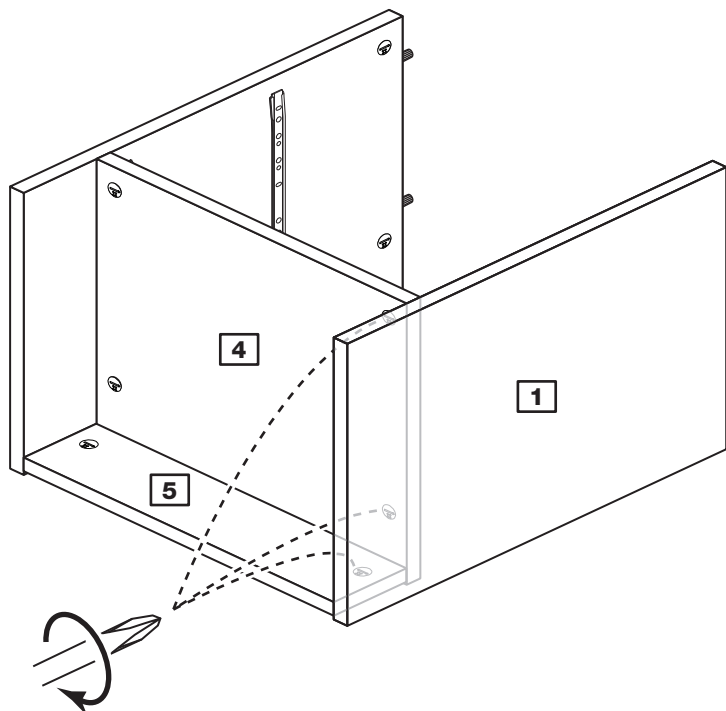


## Step 7

### Fit the Left Side

Push the left side **1** onto the assembly.

Use a screwdriver to tighten the 3 large locking nuts **C** fitted to the base **4** and the plinth **5**.



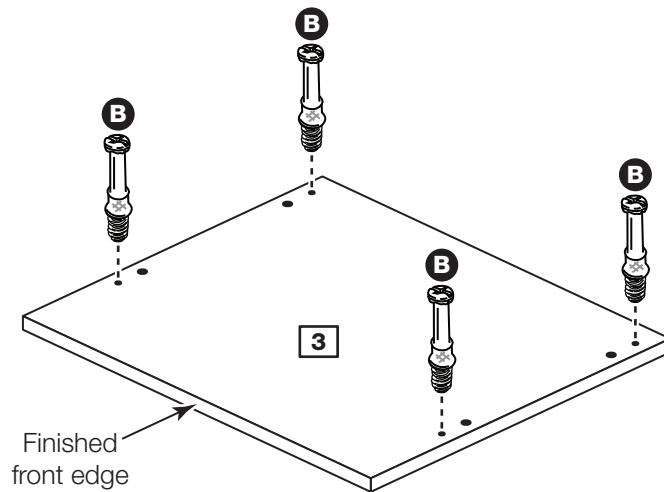


# Assembly Instructions

## Step 8

### Prepare the Top

Screw 4 metal dowels **B** into the Top **3**.

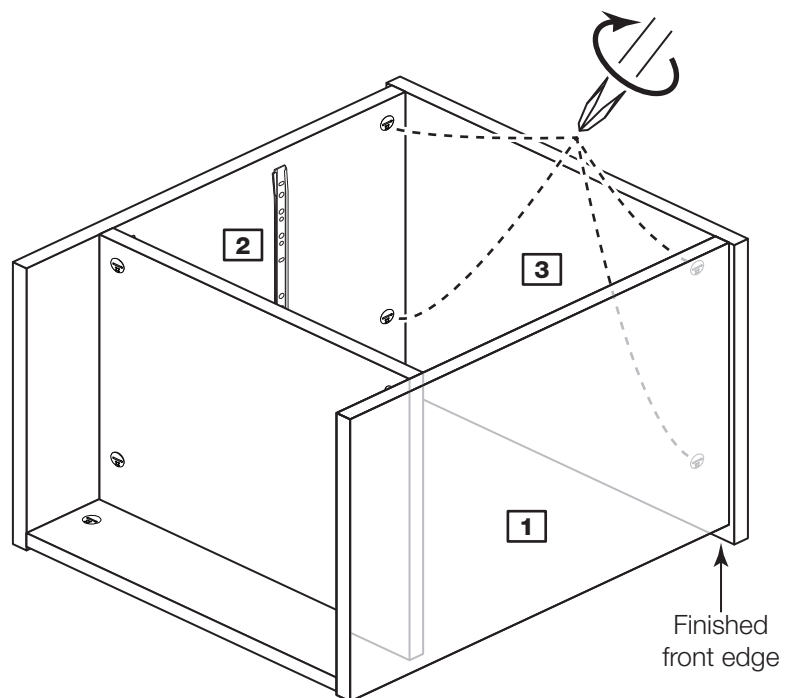


## Step 9

### Fit the Top

Push the Top **3** onto the assembly.

Use a screwdriver to tighten the 4 large locking nuts **C** fitted to the side panels **1** and **2**.

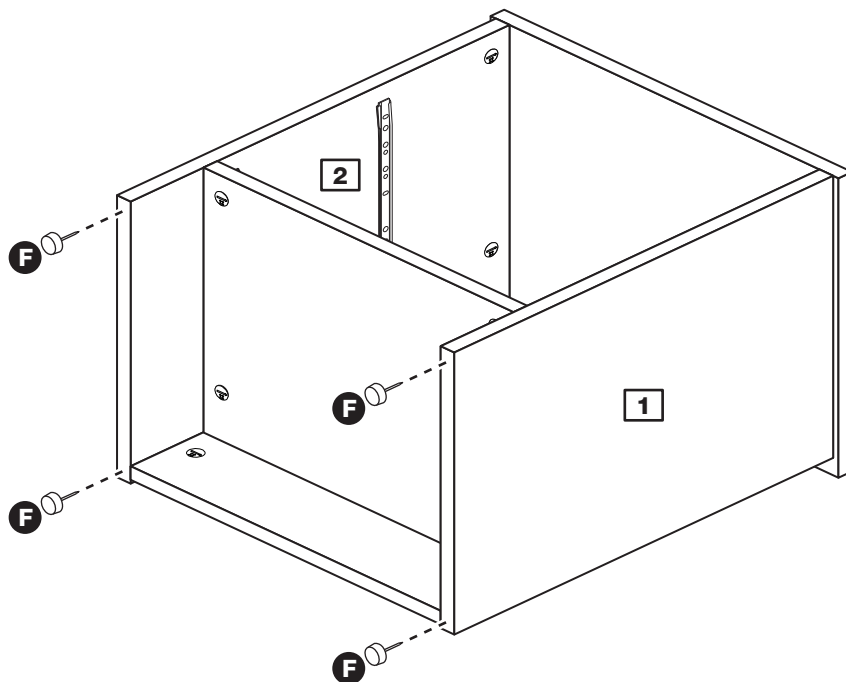


# Assembly Instructions

## Step 10

### Fit the 4 Plastic Nails

Tap 2 plastic nails **F** into the bottom edge of each of the sides **1** and **2**.



## Step 11

### Fit the Back

**a:** Square up the unit by making sure that measurement **x to x** equals **y to y**.

**b:** Place the back **10** onto the unit.

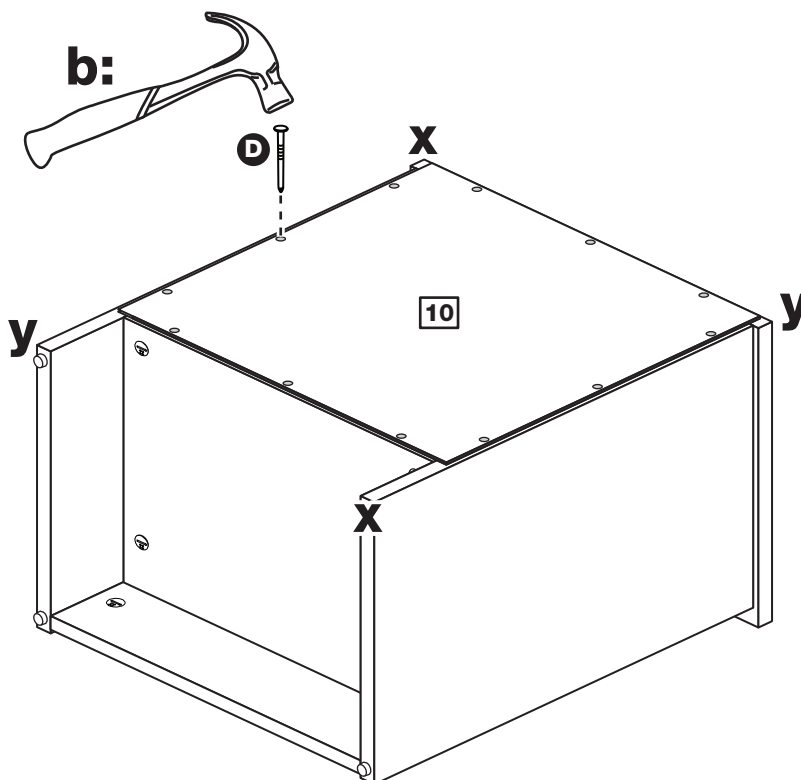
Nail **D** around the outside edges of the back **10**.

**Note:** Nails should be spaced about 150mm apart.

**Stand the unit up for the next step.**

**Warning:** The unit is heavy. Lift with care.

**a:** The measurement from top corner X to bottom corner X must be equal to the measurement from top corner Y to bottom corner Y



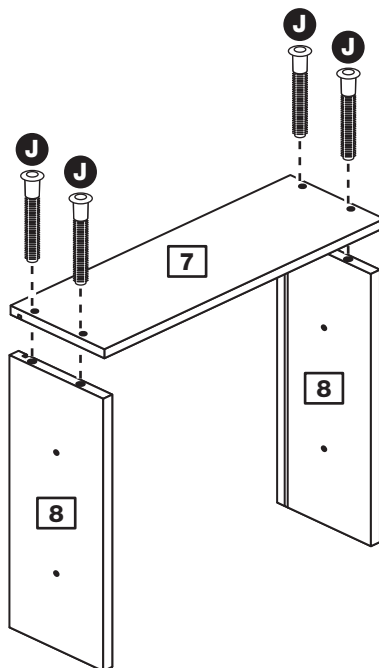
# Assembly Instructions

## Step 12

### Fit a Wrap Side to the Drawer Wraps

Position a wrap side **7** onto 2 drawer wraps **8**, as shown.

Tap 4 knock-in pegs **J** through the holes in the wrap side **7** and into the drawer wraps **8**.

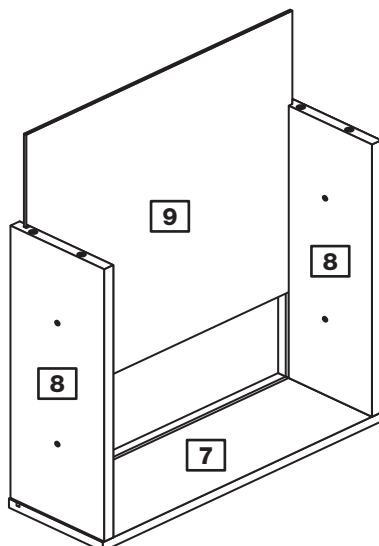


x 2

## Step 13

### Fit the Drawer Base

Turn the assembly over and slide the drawer base **9** down the grooves in the drawer wraps **8** and down into the groove in the wrap side **7**.



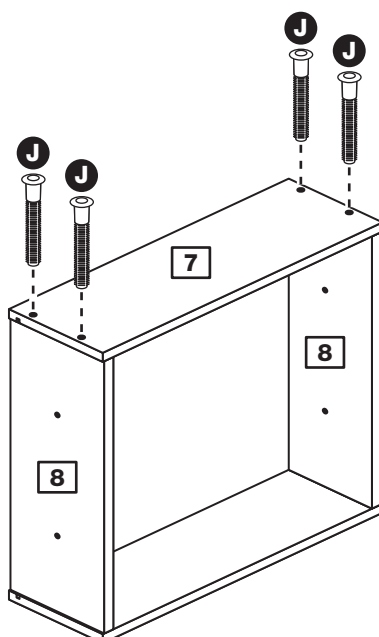
x 2

## Step 14

### Fit the other Wrap Side

Position a wrap side **7** onto the 2 drawer wraps **8**, as shown.

Tap 4 knock-in pegs **J** through the holes in the wrap side **7** and into the drawer wraps **8**.



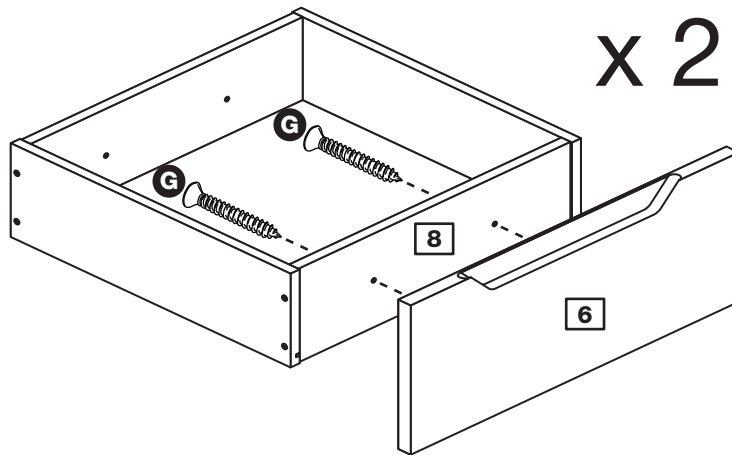
x 2

# Assembly Instructions

## Step 15

### Fit the Drawer Fronts

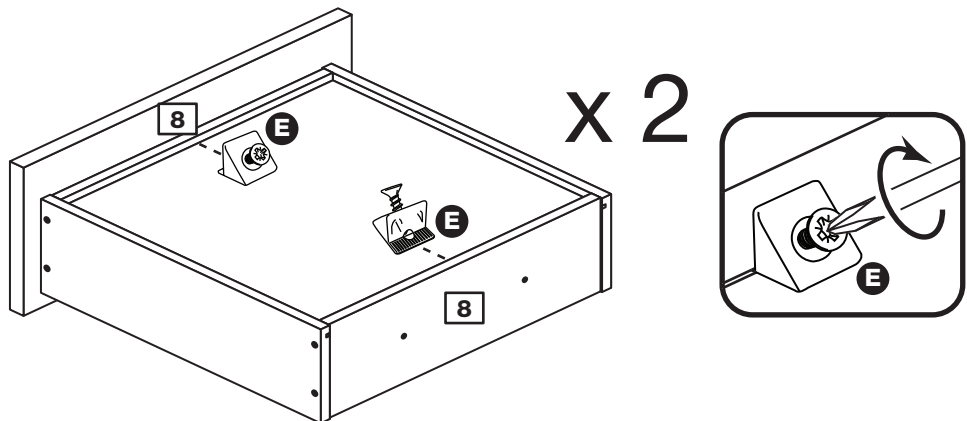
Fit a drawer front **6** to one of the drawer wraps **8** using 2 screws **G**.



## Step 16

### Fit the wedgfixes

Turn the 2 drawer assemblies over and slide 2 wedgfixes **E** into the grooves of the drawer wraps **8**, as shown, and tighten up the screws.

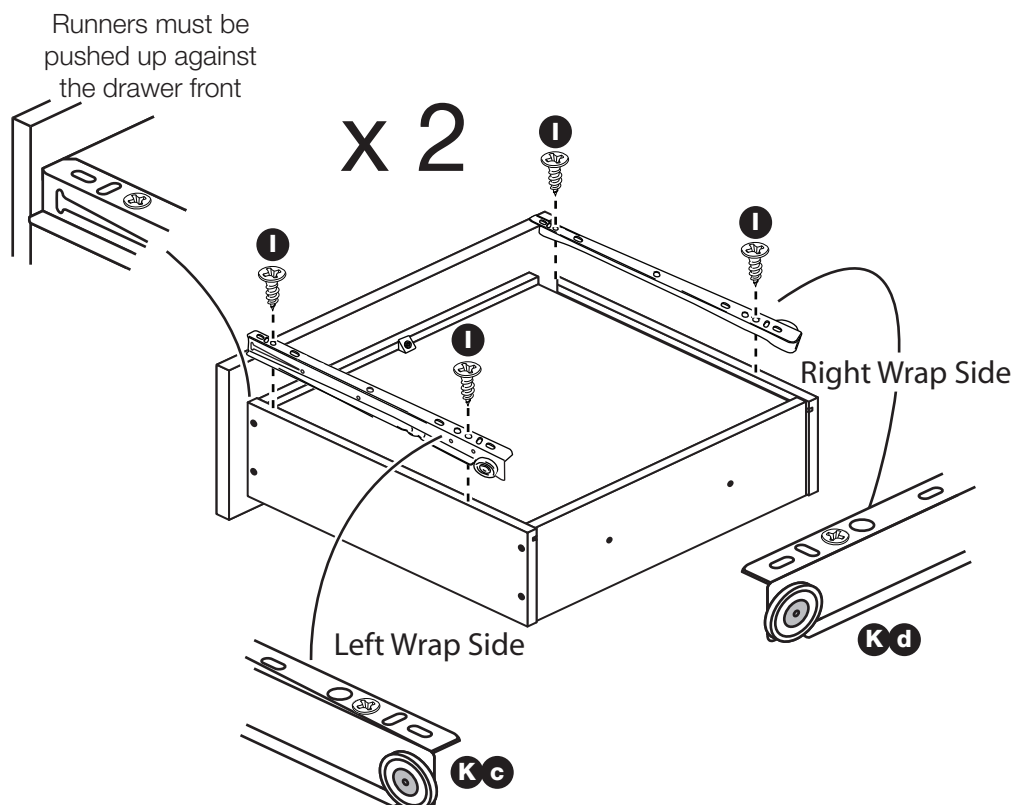


## Step 17

### Fit the Runners to the Drawers

Fit the runner **Kc** to the bottom edge of the left wrap side **7**, as shown, making sure that it is pushed up against the back of the drawer front **6**. Use a bradawl to mark the fixing positions, then secure with 2 screws **I**.

Fit the runner **Kd** to the bottom edge of the right wrap side **7** using the same method.



# Assembly Instructions

## Step 18

### Fit the drawers

Slide the wheels of the runners fitted to the drawers, over the wheels of the runners fitted to the side panels and push the drawers into position.

**Assembly is complete**

