

DREW

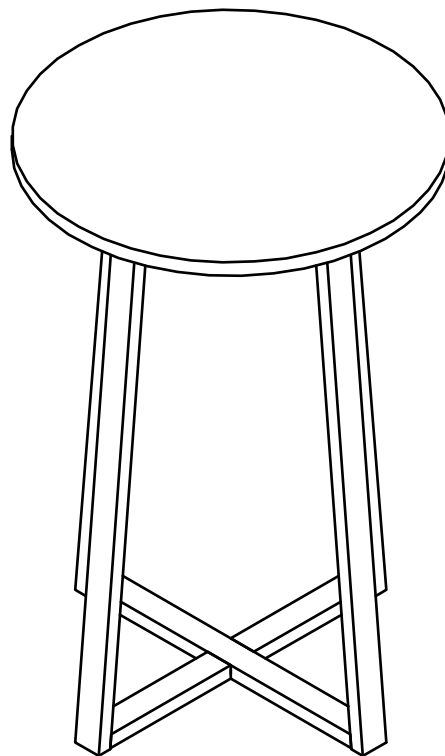
Small Occ Table

habitat 

Ø40x59.5cm

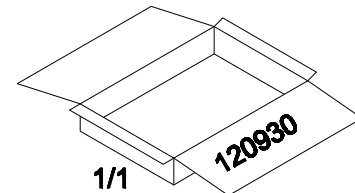
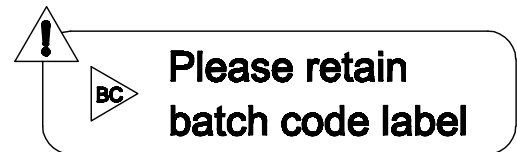
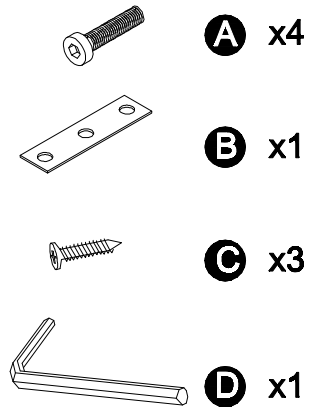
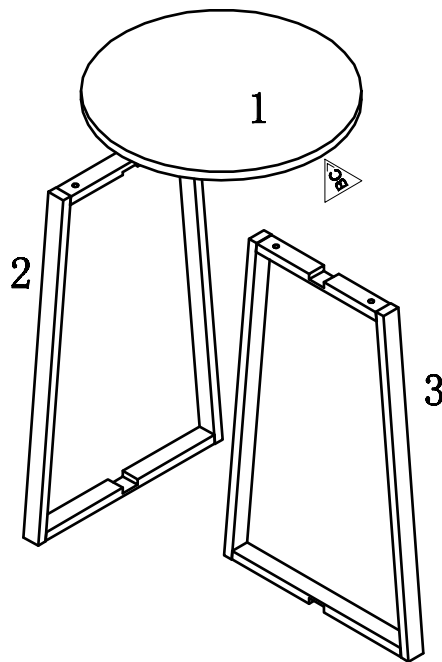
120930

DREW-SOC-AW14-A



habitat 

Components



Assembly Instructions

please keep safe for future reference

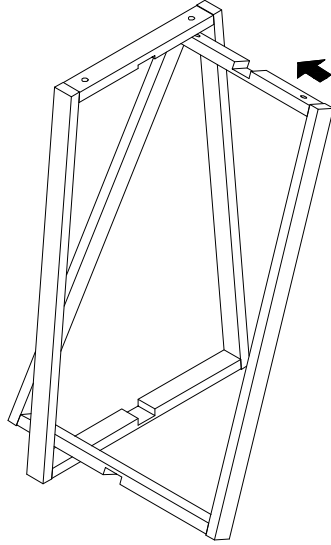
Before assembling the furniture please identify all component parts. It would be sensible to assemble the furniture as close to its final position as possible.

Do not place furniture directly in front of radiators, fires or any other source of heat.

Ensure the surface on which you are assembling the furniture is flat and clear of anything that might scratch it.

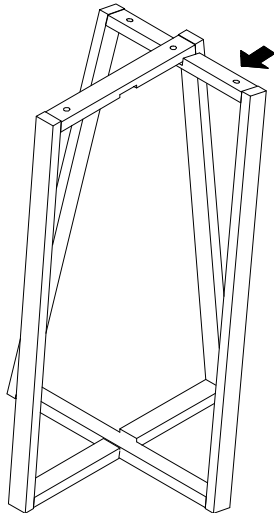
Check all packaging carefully for hardware and parts before discarding it.

1



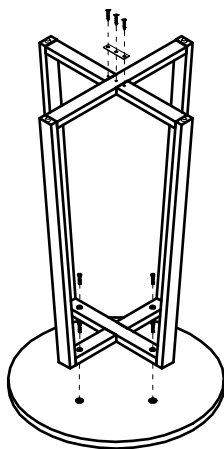
Put one leg into the other on diagonal

2



Match the notch of the legs with each other.

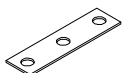
3



Attach the intalled legs to the table top by using hex flat screws , tighten firmly with hex wrench then fix the legs by using the mending plate and screws with screwdriver(not provided).



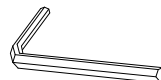
A x4



B x1



C x3



D x1

Care Instructions

Cleaning of Solid Timber / Veneers and Lacquered Surface.

Any spillage should be removed immediately by using a damp cloth, then wiping dry the surface with a clean dry duster. Repeat this procedure for periodic cleaning. The use of furniture polishes or sprays is not necessary or recommended.

If you have any comments or suggestions regarding this product, assembly instructions or service received, please enquire at your nearest store or contact us on our website at: www.habitat.co.uk or write to us at:

Habitat Retail Ltd. 489 - 499 Avebury Boulevard,
Milton Keynes MK9 2NW

