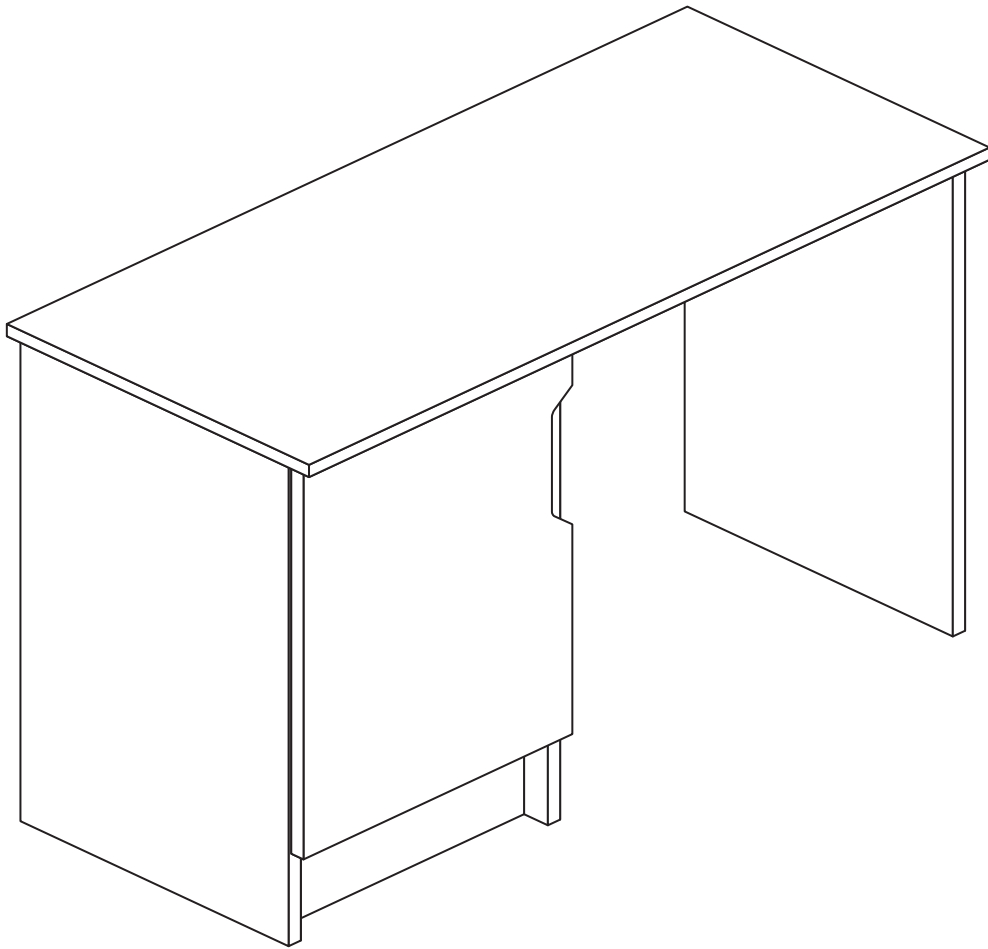




FIRST TEAM

FURNITURE



Assembly Instructions

IMPORTANT - Carefully read these instructions before starting the assembly
Please keep for future reference



**MADE IN
BRITAIN**

Dimensions

Width - 100cm

Depth - 44.5cm

Height - 72.5cm



Safety and Care Advice

Important - Please read these instructions fully before starting assembly

- **Warning:** This unit weighs approximately 21kgs. Please lift with care.

- Check you have all the components and tools listed on pages 2 and 3.

- Remove all fittings from the plastic bags and separate them into their groups.

- Keep children and animals away from the work area, small parts could choke if swallowed.

- Parts of the assembly will be easier with 2 people.

- Make sure you have enough space to layout the parts before starting.

- Do not stand or put weight on the product, this could cause damage.

- Assemble the item as close to its final position (in the same room) as possible.

- Assemble on a soft level surface to avoid damaging the unit or your floor (use opened out unit carton).



- We do not recommend the use of power drill/drivers **for inserting screws**, as this could damage the unit. Only use hand screwdrivers.

- **Safety note:** If there is any chance of this unit being pulled over by children etc. it is recommended that the unit is secured to a wall using suitable fixings (not supplied).

- Dispose of all packaging carefully and responsibly.

Care and maintenance

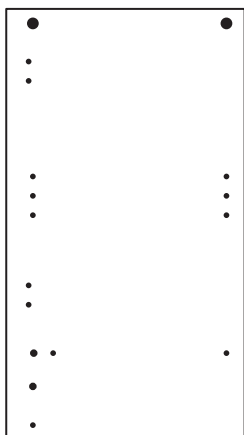
- Only clean using a damp cloth and mild detergent, do not use bleach or abrasive cleaners.

- From time to time check that there are no loose screws on this unit.

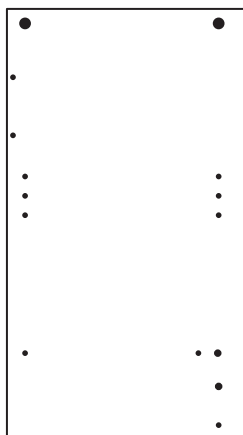
- This product should not be discarded with household waste. Take to your local authority waste disposal centre.

Note: If required the next page can be cut out and used as reference throughout the assembly. Keep this page with these instructions for future reference.

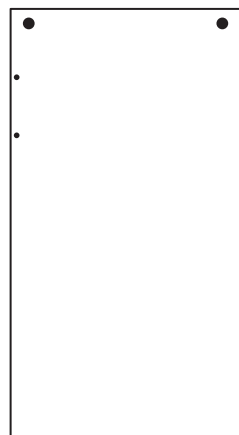
Panels - Please check you have all the panels listed below



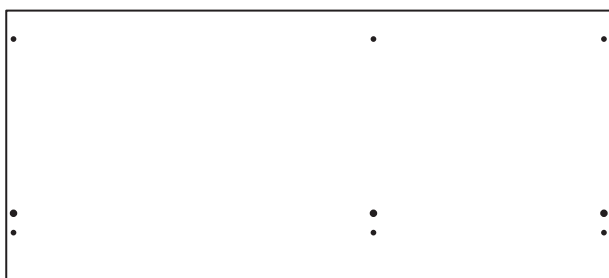
1 Left Side (D2989A)
(706 x 394mm)



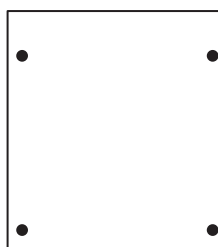
2 Upright (D2981A)
(706 x 394mm)



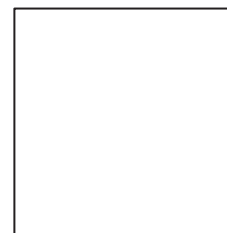
3 Right Side (D2982A)
(706 x 394mm)



4 Top (D2985A)
(1000 x 444mm)



5 Base (D2984A)
(363 x 392mm)



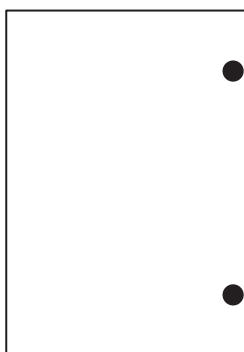
6 Shelf (D2986A)
(363 x 373mm)



7 Plinth (D2988A)
(363 x 127mm)



8 Modesty (D2987A)
(577 x 157mm)



9 Door (D2983A)
(570 x 396mm)


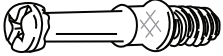

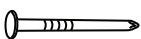



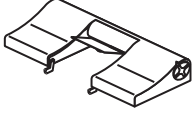
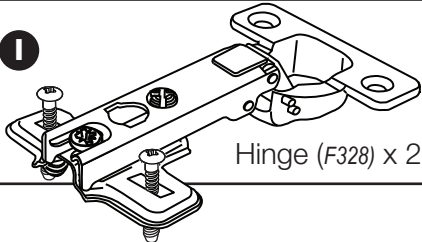


10 Back (X575-387)
(575 x 387mm)

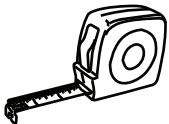


Fittings – Please check you have all the fittings listed below

Note: The quantities below are the correct amount to complete the assembly. In some cases more fittings may be supplied than are required.

<p>A </p> <p>Wooden Dowel (F22) x 7</p>	<p>B </p> <p>Metal Dowel (F901) x 16</p>	<p>C </p> <p>Large Locking Nut (F900) x 16</p>
<p>D </p> <p>Nail (F51) x 11</p>	<p>E </p> <p>Plastic Nail (F91) x 6</p>	<p>F </p> <p>13mm Screw (F63) x 4</p>
<p>G </p> <p>Shelf Stud (F110) x 4</p>	<p>H </p> <p>Soft Close (F320) x 1</p>	<p>I </p> <p>Hinge (F328) x 2</p>

Tools required



Rule



Cross-head screwdriver



Scissors

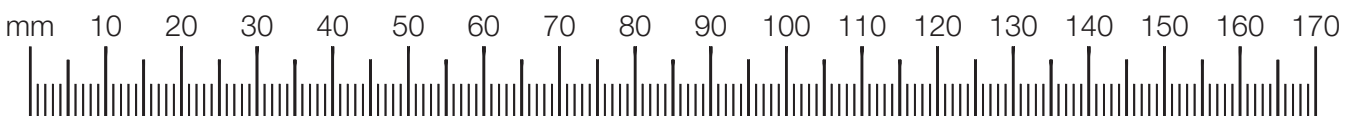


Hammer



Eye protection
(when using a hammer or drill)

Ruler - Use this ruler to help correctly identify the screws



Assembly Instructions

Step 1

Prepare the Upright

Tap a wooden dowel **A** into the upright **2**.

Note: Wooden dowels **must not** stick out from the edge by more than 10mm or they may damage other panels.

Screw 3 metal dowels **B** into the upright **2**.

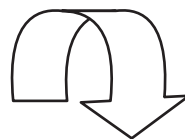
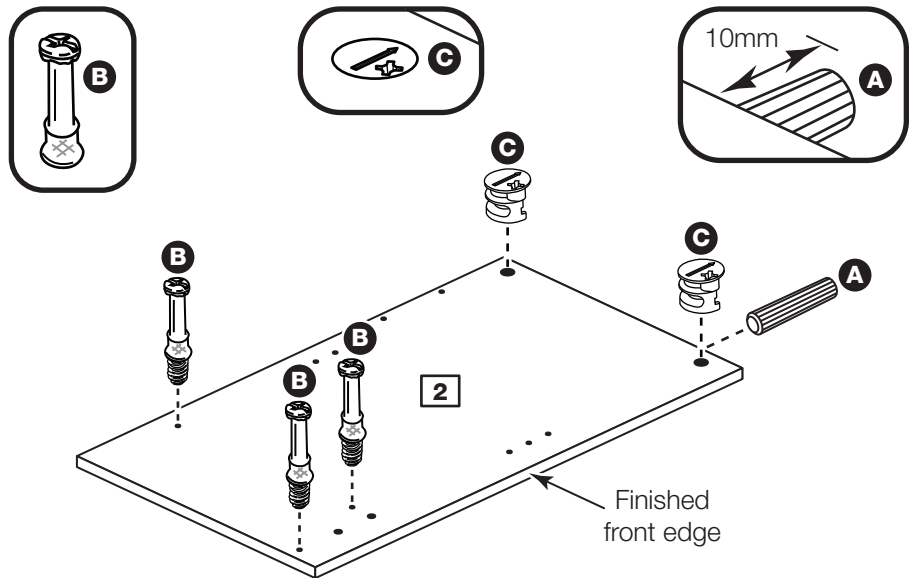
Note: Tighten the metal dowels up fully against the panels.

Insert 2 large locking nuts **C** into the upright **2**.

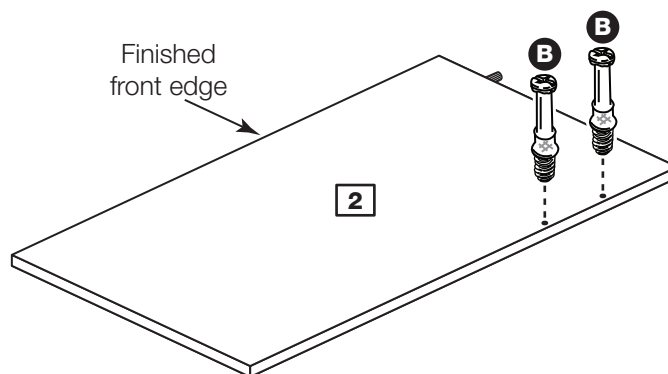
Note: The arrow on the locking nuts **must** point towards the hole in the edge of the panel.

Turn the upright over

Screw 2 metal dowels **B** into the upright **2**.



Turn the upright over

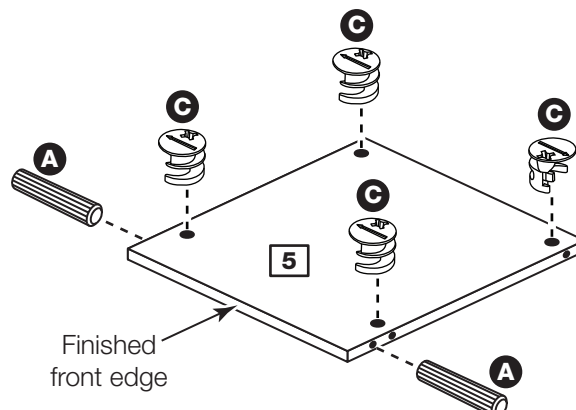


Step 2

Prepare the Base

Tap 2 wooden dowels **A** into the base **5**.

Insert 4 large locking nuts **C** into the base **5**.



Assembly Instructions

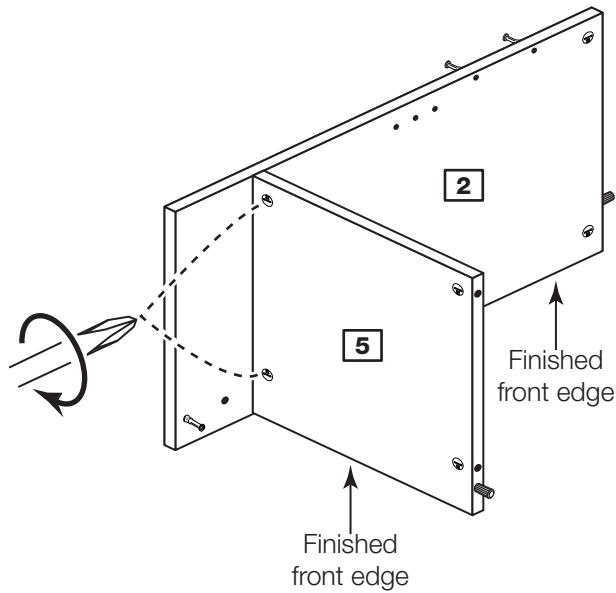
Step 3

Fit the Base to the Upright

Push the base **5** onto the upright **2**.

Use a screwdriver to tighten the 2 large locking nuts **C** fitted to the base **5**.

Note: Turn the large locking nuts **C** as far as they will go - more than 1/2 a turn.

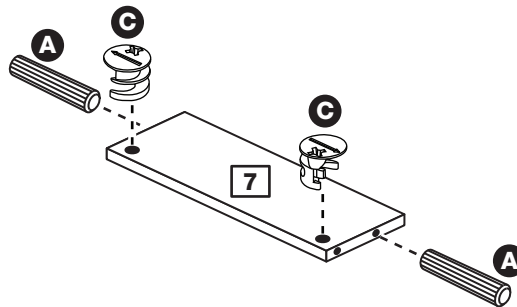


Step 4

Prepare the Plinth

Tap 2 wooden dowels **A** into the plinth **7**.

Insert 2 large locking nuts **C** into the plinth **7**.



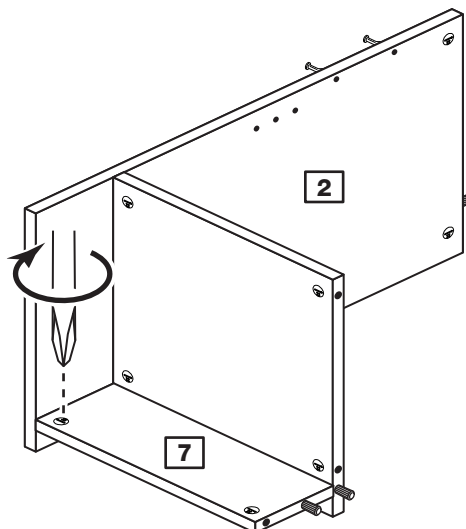
Step 5

Fit the Plinth to the Upright

Push the plinth **7** onto the upright **2**.

Use a screwdriver to tighten the large locking nut **C** fitted to plinth **7**.

Note: Turn the large locking nut **C** as far as it will go - more than 1/2 a turn.



Assembly Instructions

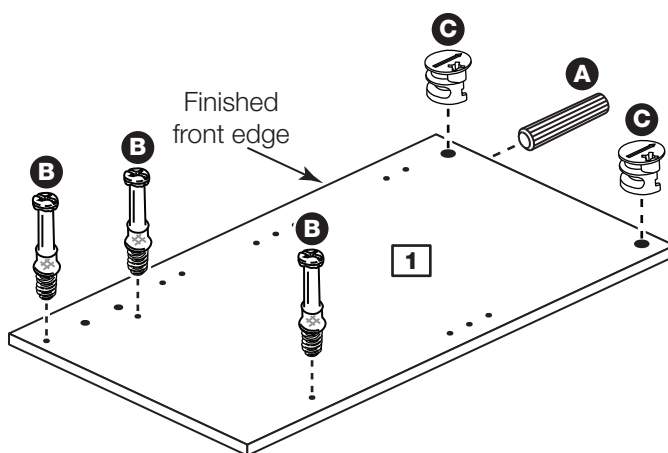
Step 6

Prepare the Left Side

Tap a wooden dowel **A** into the left side **1**.

Screw 3 metal dowels **B** into the left side **1**.

Insert 2 large locking nuts **C** into the left side **1**.

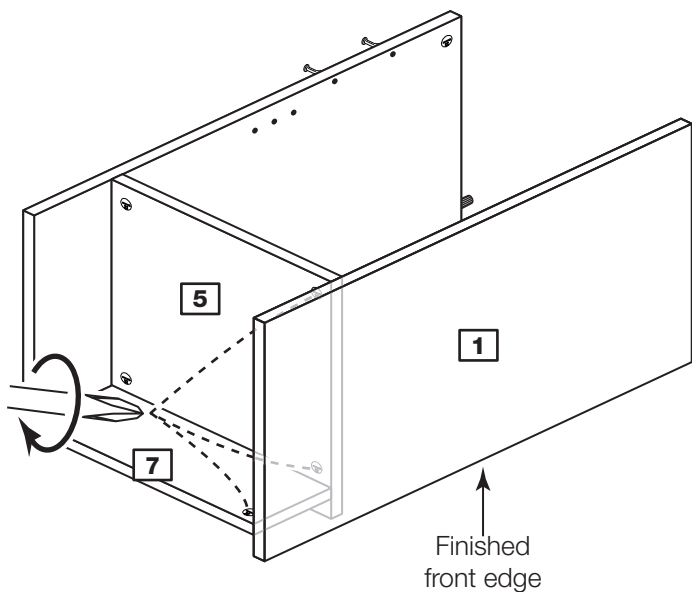


Step 7

Fit the Left Side

Push the left side **1** onto the assembly.

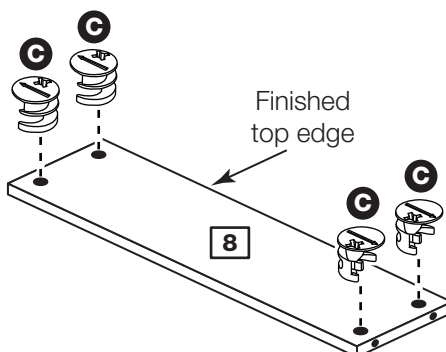
Use a screwdriver to tighten the 3 large locking nuts **C** fitted to the base **5** and the plinth **7**.



Step 8

Prepare the Modesty

Insert 4 large locking nuts **C** into the modesty **8**.



Assembly Instructions

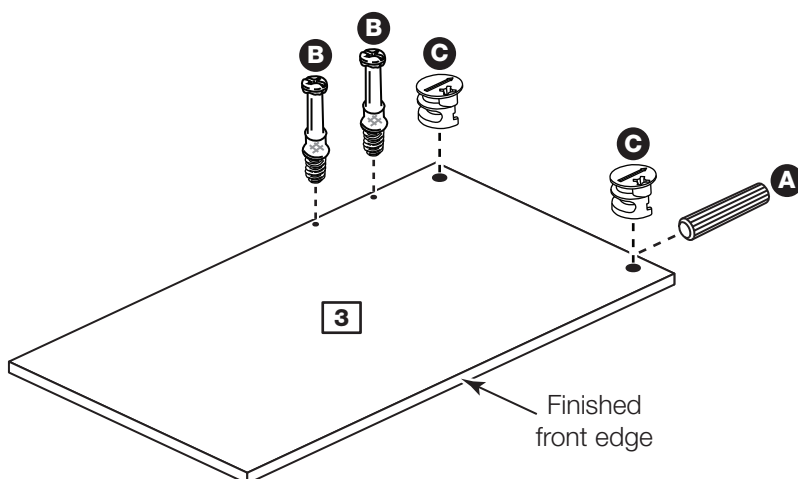
Step 9

Prepare the Right Side

Tap a wooden dowel **A** into the right side **3**.

Screw 2 metal dowels **B** into the right side **3**.

Insert 2 large locking nuts **C** into the right side **3**.



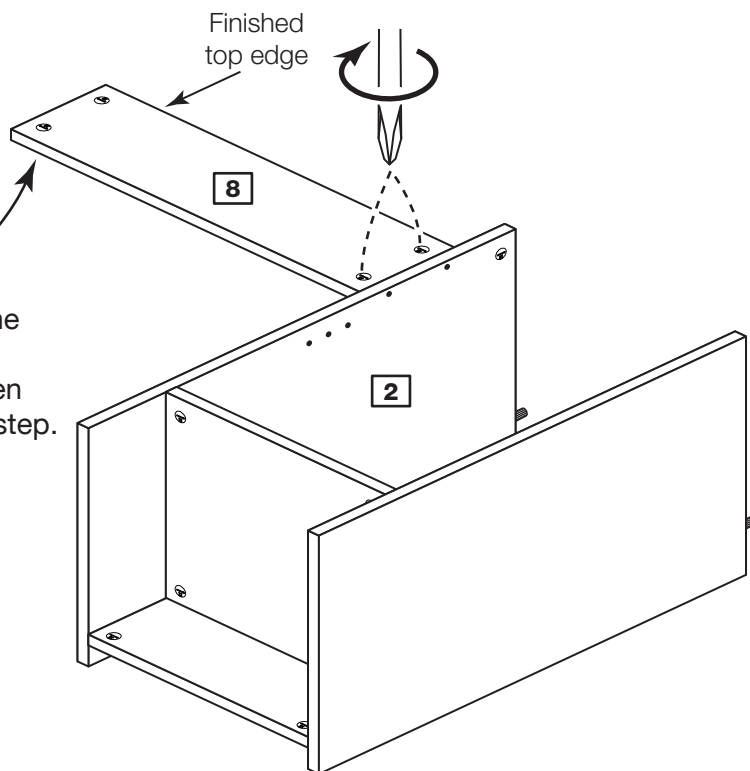
Step 10

Fit the Modesty

Push the modesty **8** onto the upright **2**.

Use a screwdriver to tighten the 2 large locking nuts **C** fitted to the modesty **8**.

Note: Support the modesty until the right side has been fitted in the next step.



Assembly Instructions

Step 11

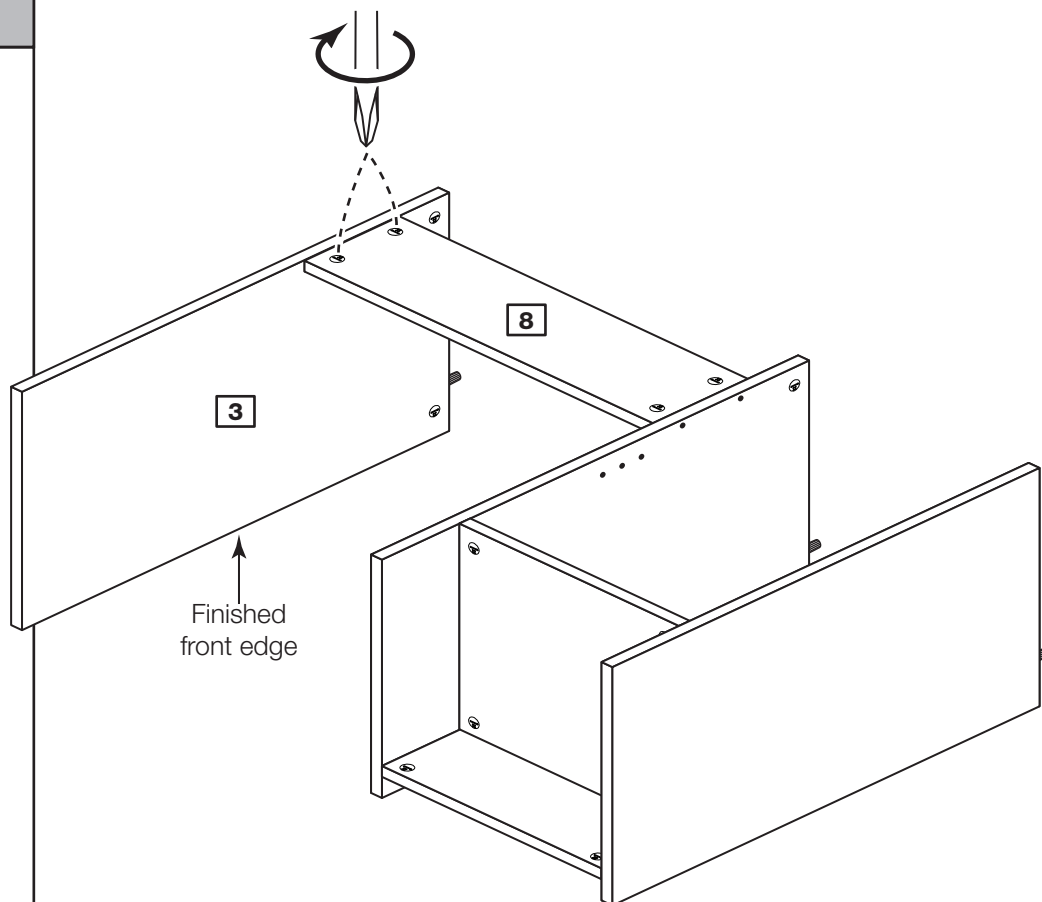
Fit the Right Side

Push the right side **3** onto the modesty **8**.

Use a screwdriver to tighten the 2 large locking nuts **C** fitted to the modesty **8**.

Carefully stand the unit up.

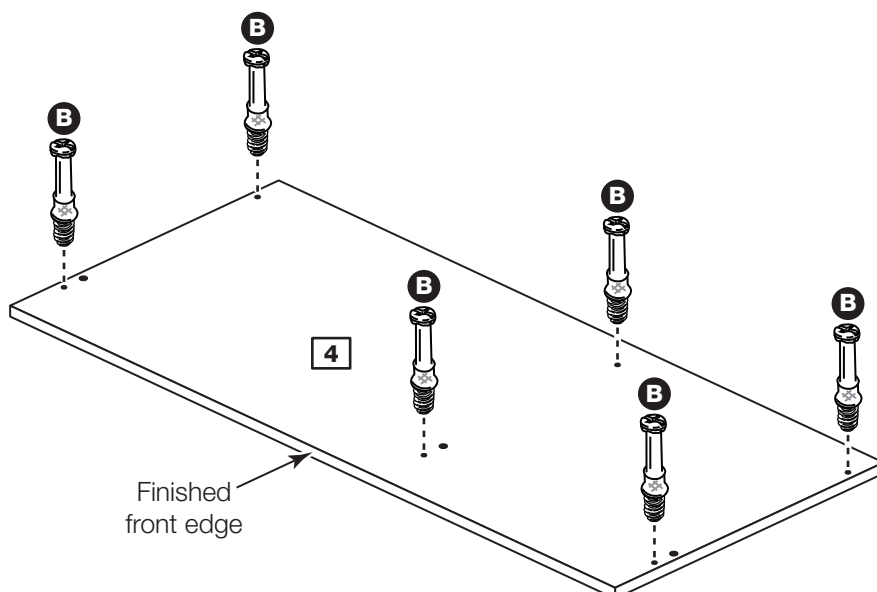
Warning: The unit is heavy. Lift with care.



Step 12

Prepare the Top

Screw 6 metal dowels **B** into the top **4**.



Assembly Instructions

Step 13

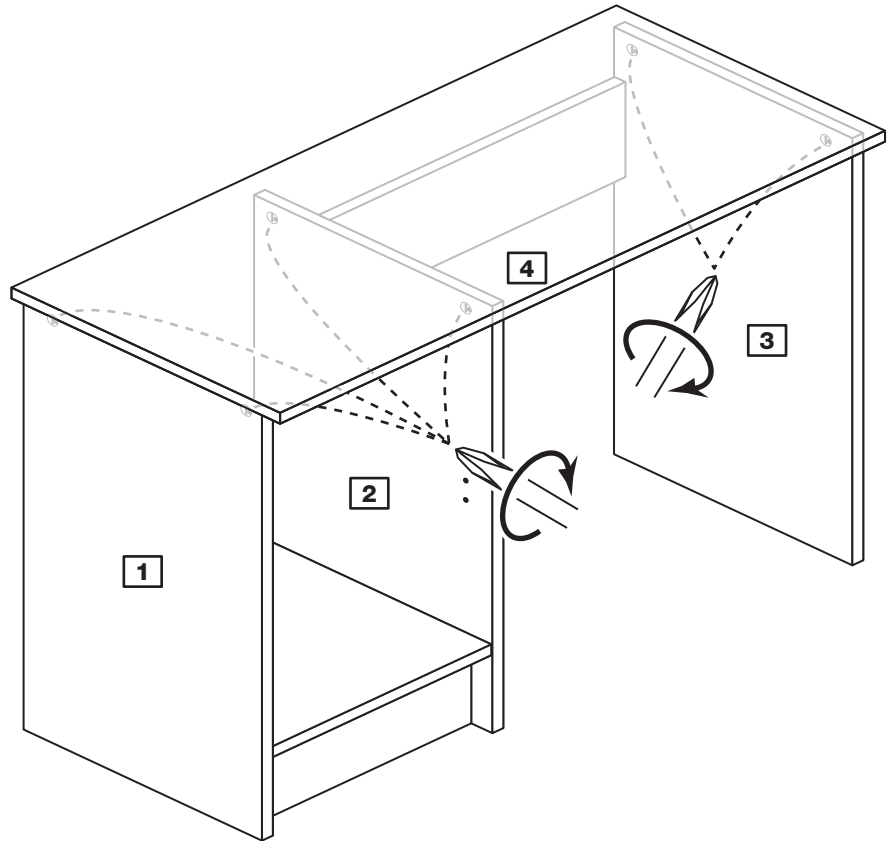
Fit the Top

Push the top **4** down onto the assembly.

Use a screwdriver to tighten the 6 large locking nuts **C** fitted to the left side **1**, the upright **2** and the right side **3**.

Carefully lay the unit back down onto its front edges.

Warning: The unit is heavy. Lift with care.



Step 14

Fit the Back

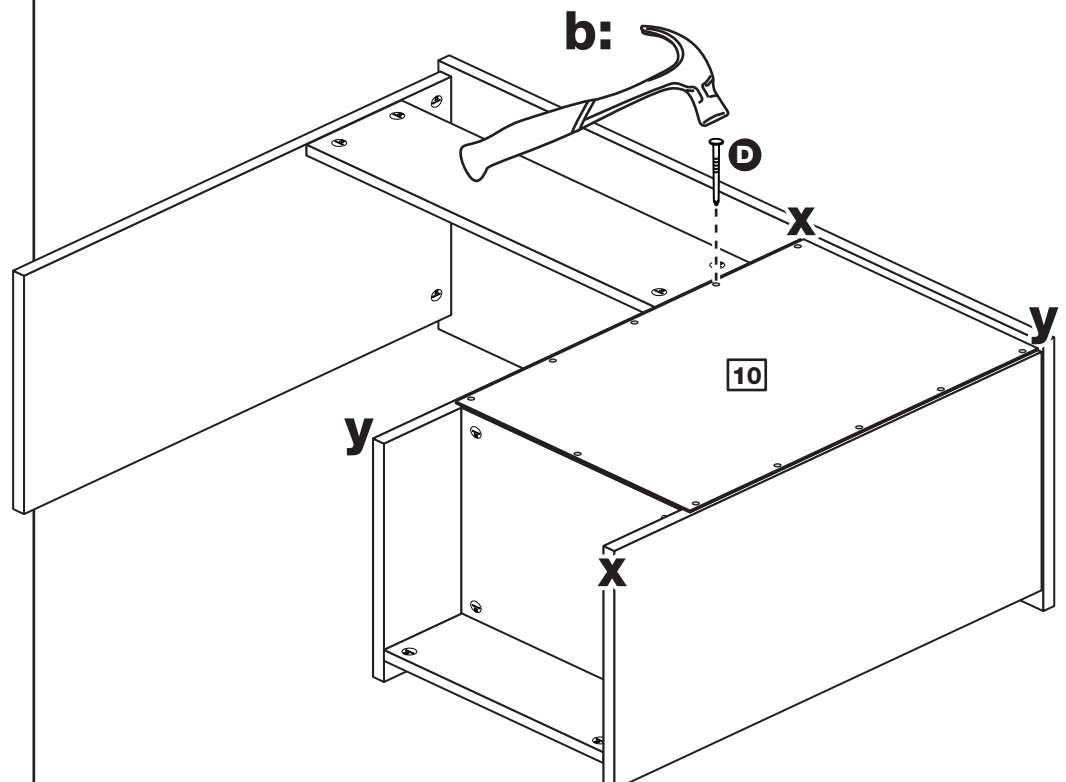
a: Square up the unit by making sure that measurement **x to x** equals **y to y**.

b: Place the back **10** onto the unit.

Nail **D** around the 3 outside edges of the back **10**, as shown

Note: Nails should be evenly spaced apart.

a: The measurement from top corner X to bottom corner X must be equal to the measurement from top corner Y to bottom corner Y

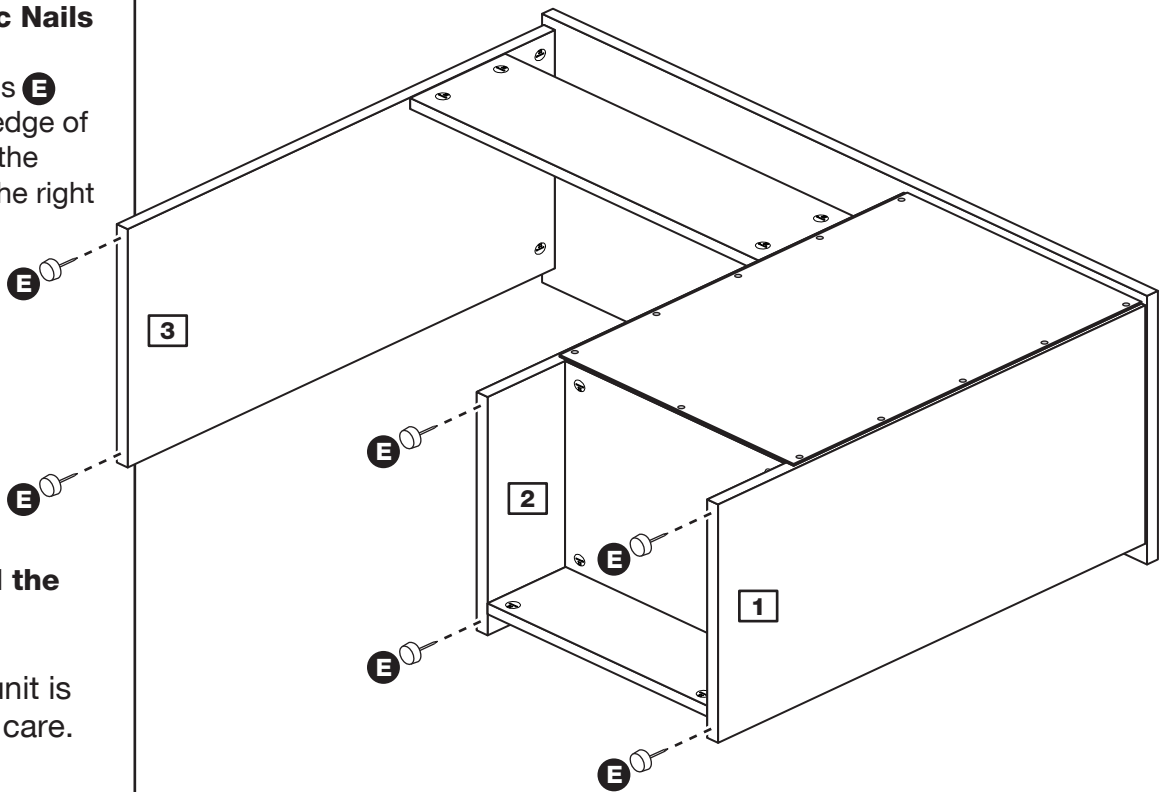


Assembly Instructions

Step 15

Fit the 6 Plastic Nails

Tap 2 plastic nails **E** into the bottom edge of the left side **1**, the upright **2** and the right side **3**.



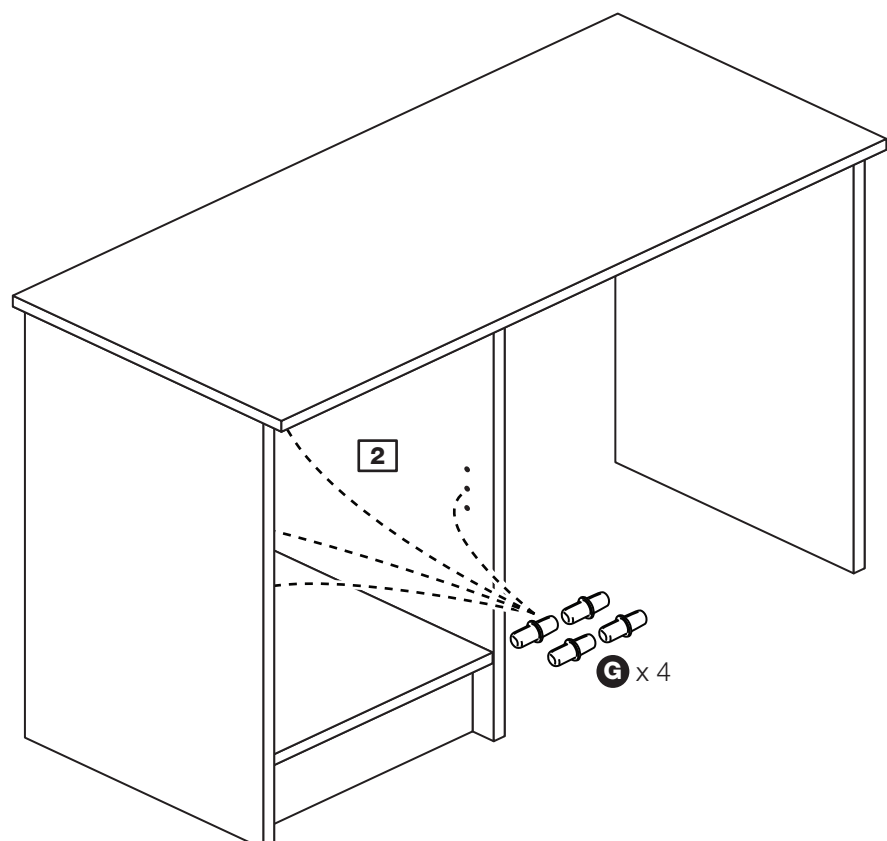
Carefully stand the unit back up.

Warning: The unit is heavy. Lift with care.

Step 16

Fit the Shelf Studs

Insert the 4 shelf studs **G** at the required height, into the holes on the left side **1** and upright **2**.

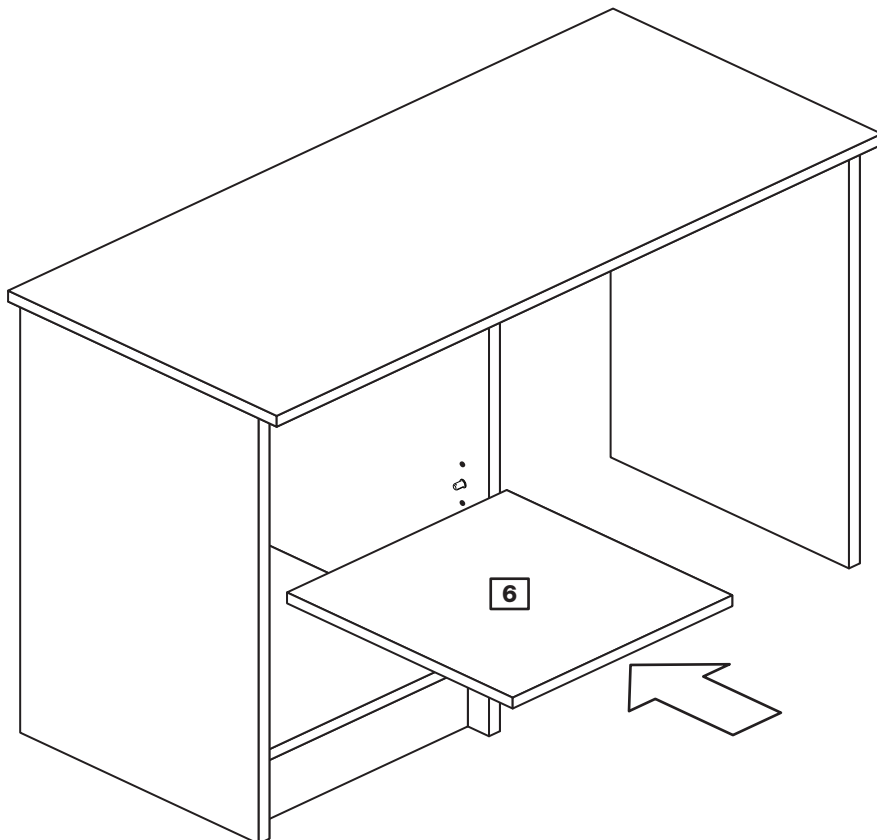


Assembly Instructions

Step 17

Fit the Shelf

Slide in the shelf **6** to rest on top of the 4 shelf studs.



Step 18

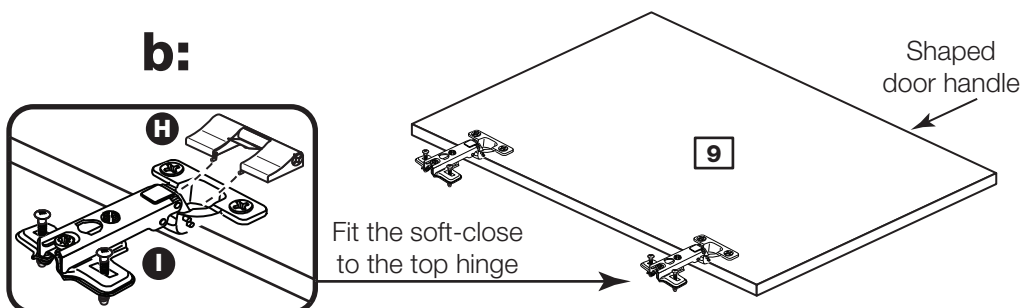
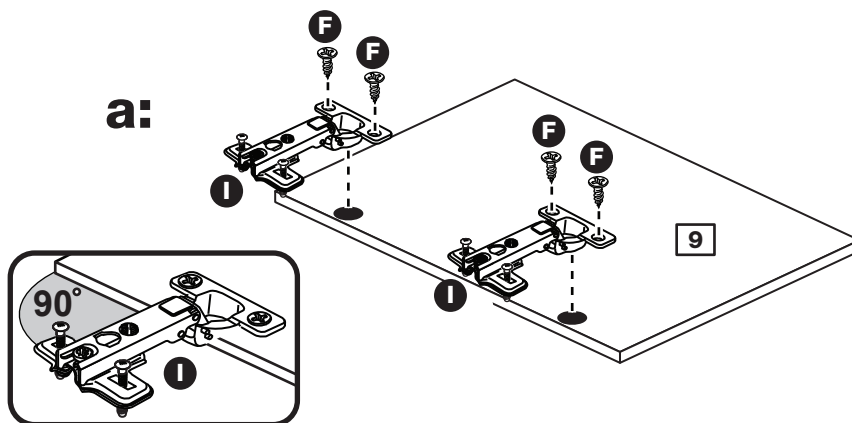
Prepare the Door

a: Push fit 2 hinges **I** into the door **9**.

Secure each hinge with 2 screws **F**.

Note: Before securing with the screws, make sure that the hinges are positioned at 90 degrees with the edge of the door.

b: Fit the soft-close **H** to the top hinge **I**. Press the hooks on the soft-close into the holes on the hinge and press down to click into place.



Assembly Instructions

Step 19

Fit the Door

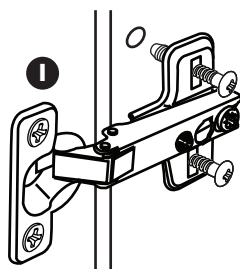
2 people are needed here

Hold the door **9** in position and line up the 2 screws in the top hinge **1** with the 2 holes at the top of the left side **1** and push them into place.

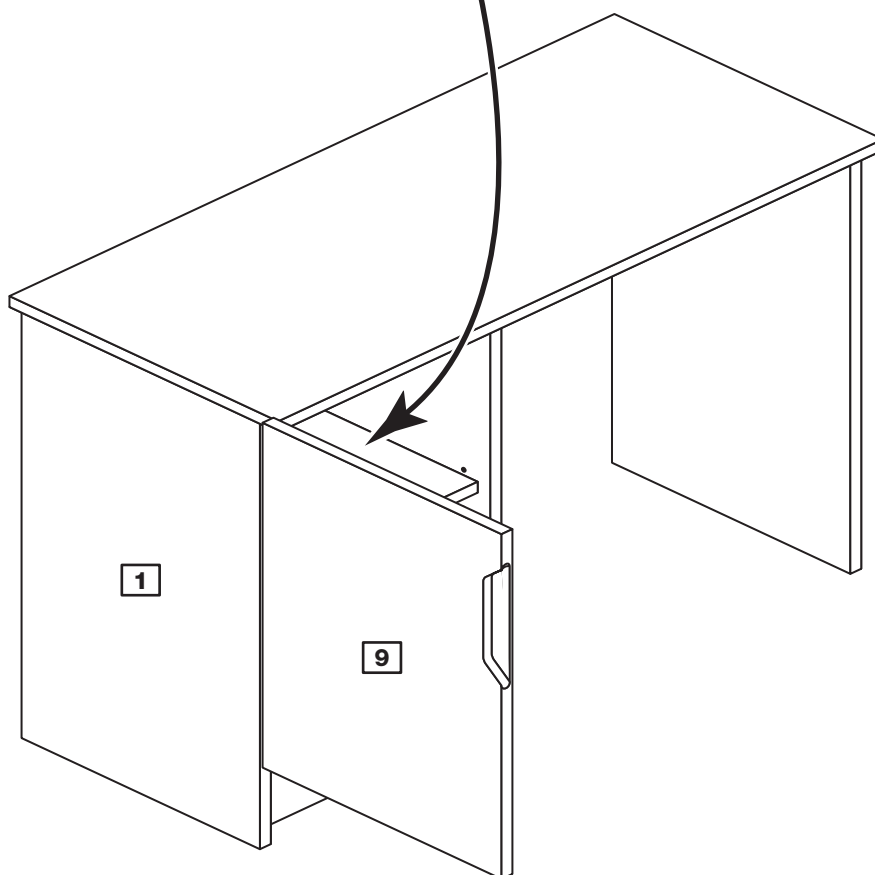
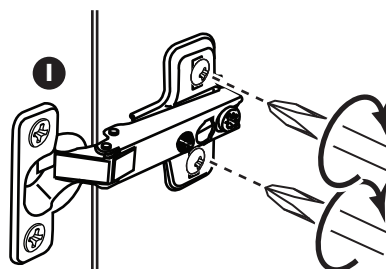
Now push the other hinge **1** into place.

When both of the hinges have been pushed into place, tighten the 2 screws on each hinge.

Press the screws into the holes in the panels



When the hinges have been pushed in, tighten up their screws



Assembly Instructions

Step 20

Adjust the door if needed

a: Before adjusting the door, use a spirit level to check the top (or base) of the unit is level, front-to-back and side-to-side in the 3 positions shown. Use suitable packing pieces (not supplied) to make the unit level BEFORE making any adjustment to the hinges, as shown.

b: Height adjustment.

Loosen screws A on hinge plates and move door up or down as required. Retighten screw A.

c: Forward and Back adjustment.

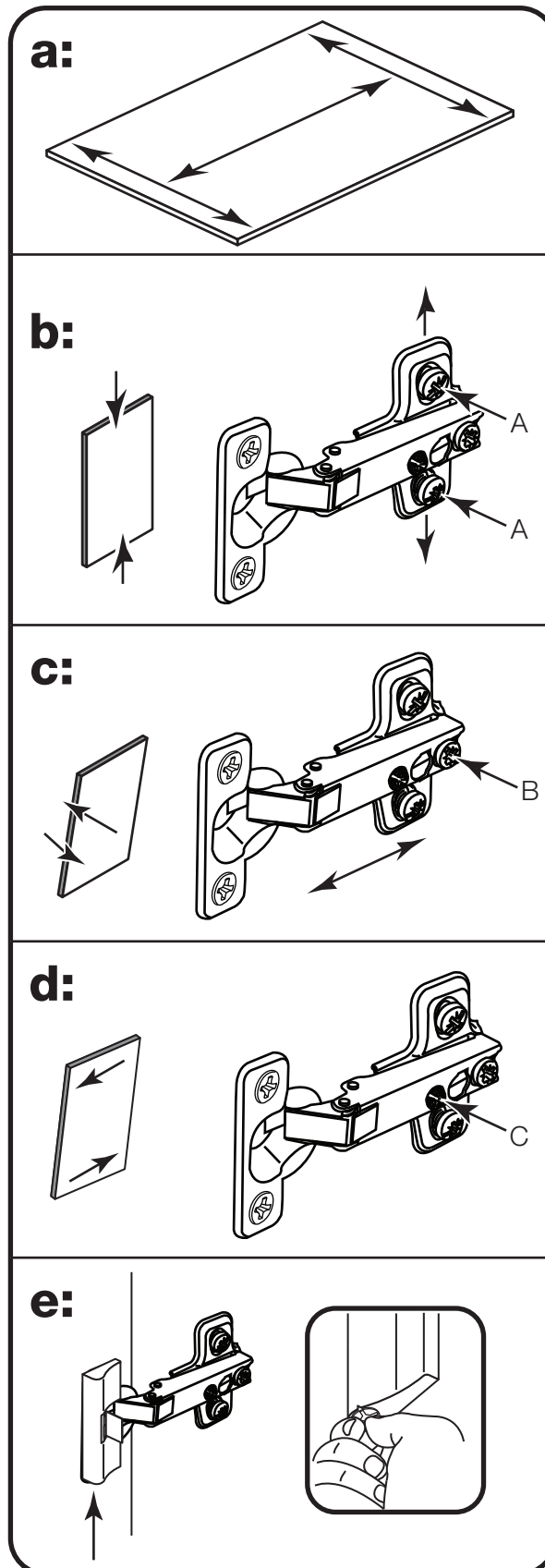
Loosen screw B on hinge plate and move door in or out as required. Retighten screw B.

d: Sideways adjustment.

To move door 'out' loosen screw C. To move door 'in' tighten screw C.

e: Soft-close adjustment.

To adjust the damping force on the soft-close fitting, turn towards the '+' to increase and towards the '-' to decrease.



Assembly Instructions

Step 21

**You have completed
the assembly.**

