

TATSUMA

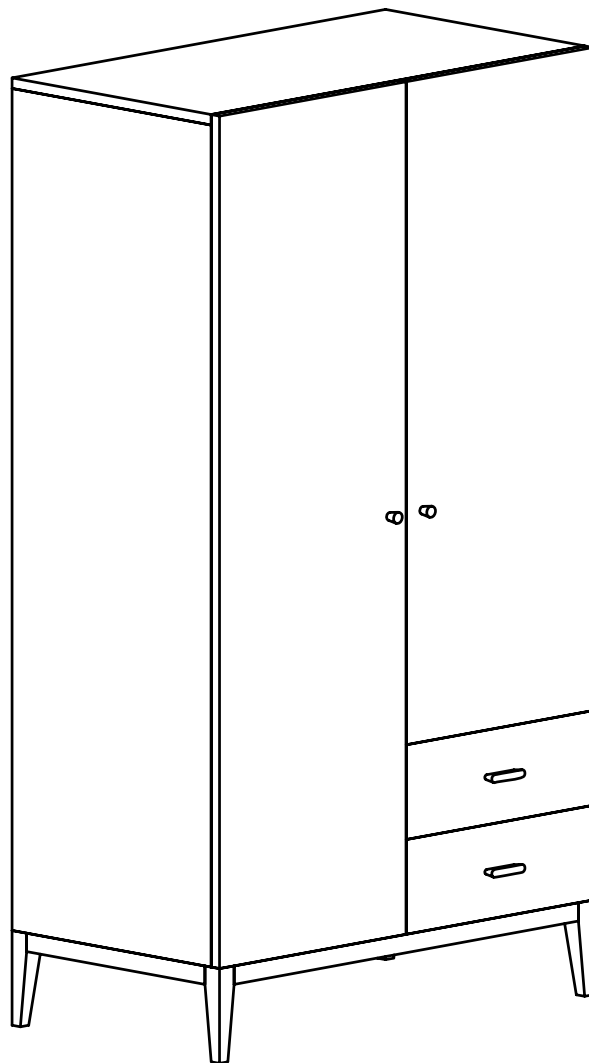
Wardrobe

180 x 90 x 50 cm

241148

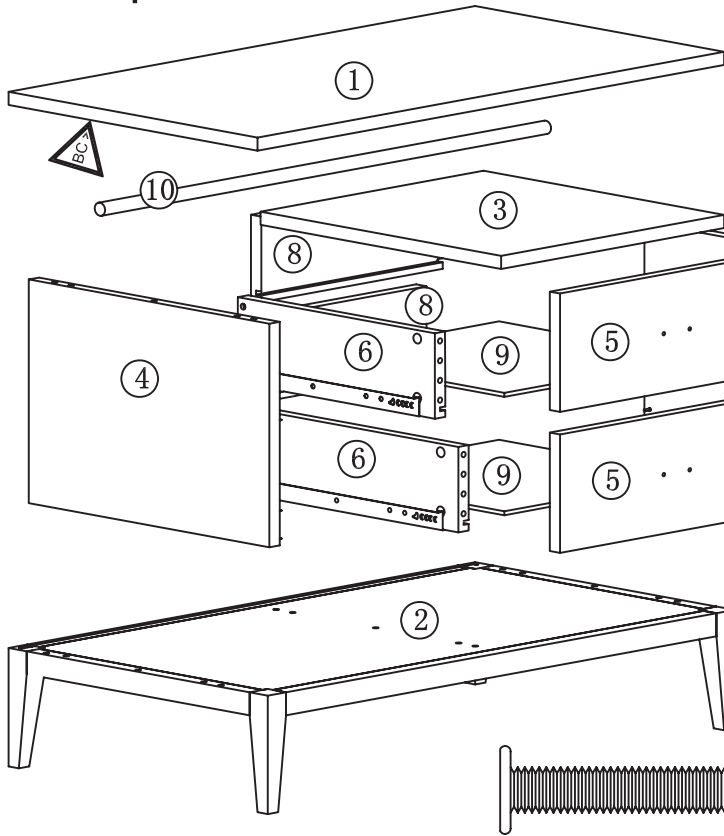
TATS-WA-SS14-A


Advanced assembly
Montage pour
bricoleur avertis
Montaje avanzado
Montage höheren
Schwierigkeitsgrades











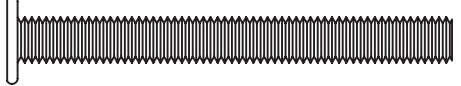









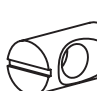

habitat 

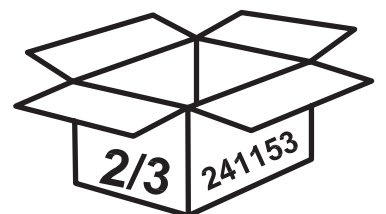
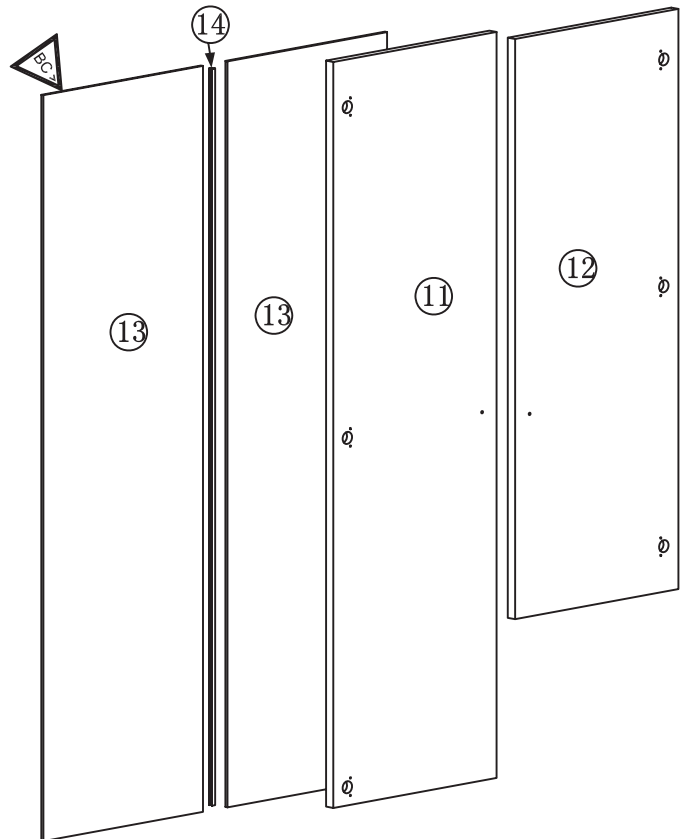
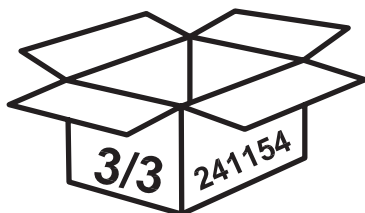
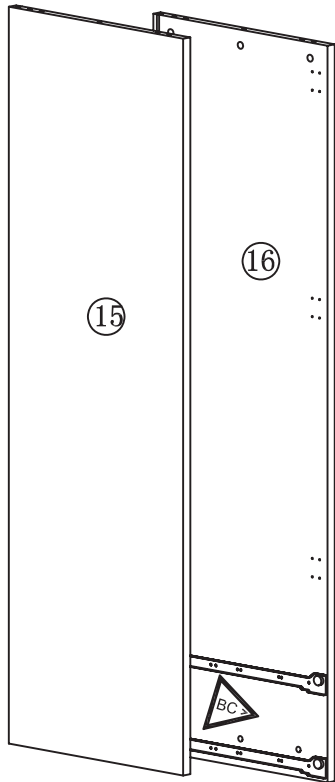
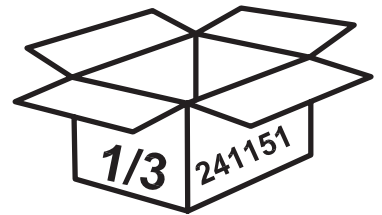
Components



 Please retain batch code label

-  R X 2
-  S X 1
-  T X 1
-  P X 9
-  Q X 9
-  A X 6
-  B X 6
-  C X 8
-  D X 6
-  E X 36
-  K X 9

-  F X 4
-  G X 2
-  H X 2
-  I X 20
-  J X 20
-  L X 22
-  M X 2
-  N X 9
-  O X 1



Assembly Instructions

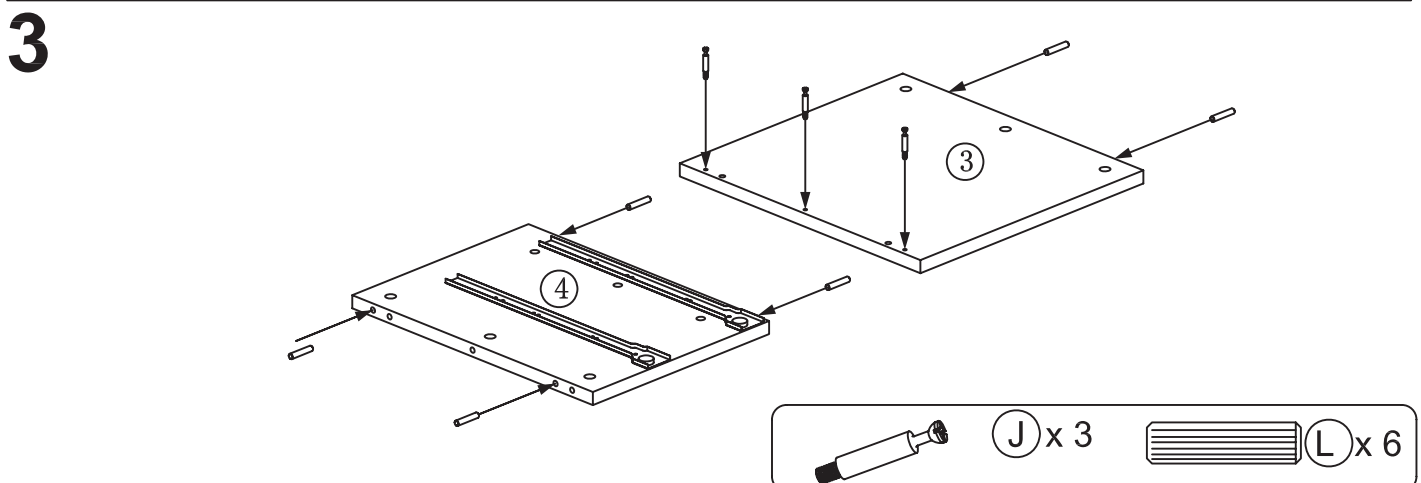
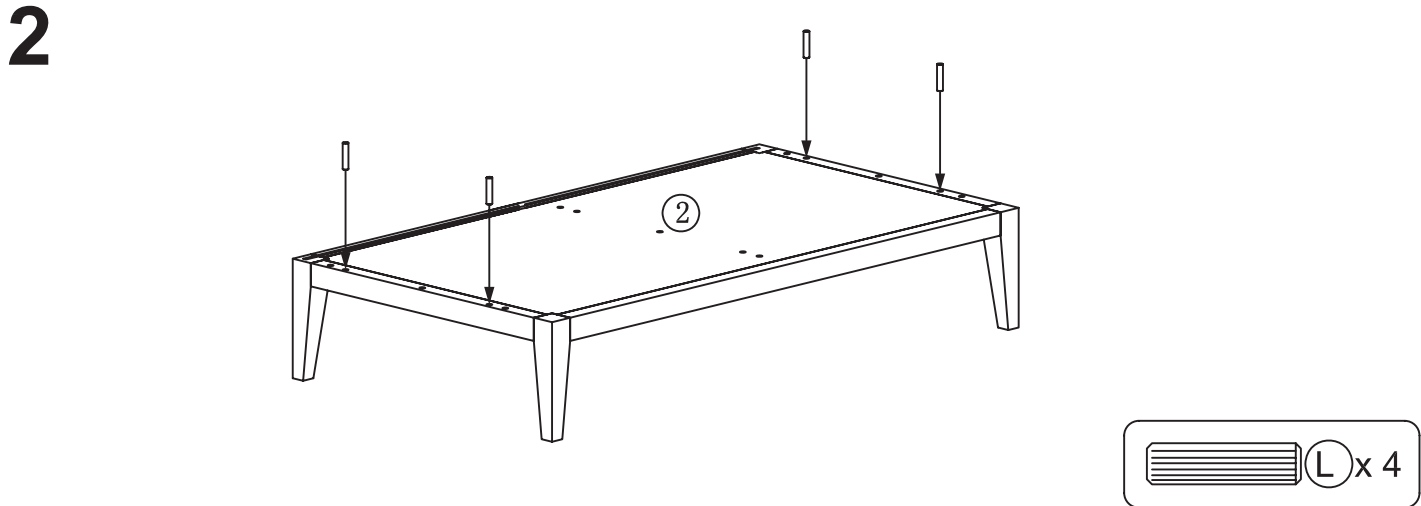
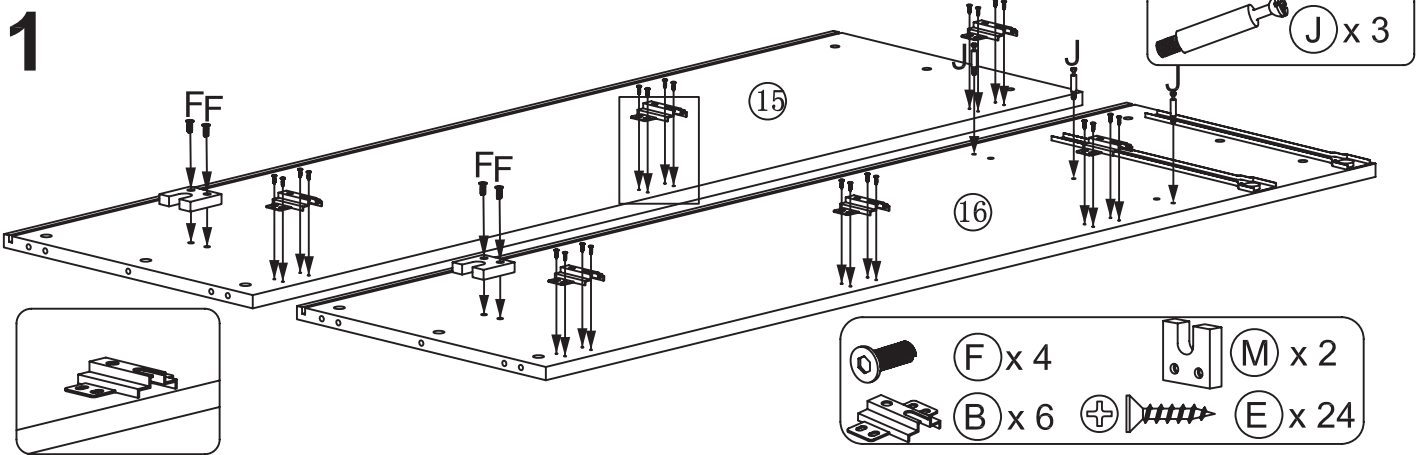
Please keep safe for future reference

Before assembling the furniture please identify all component parts.

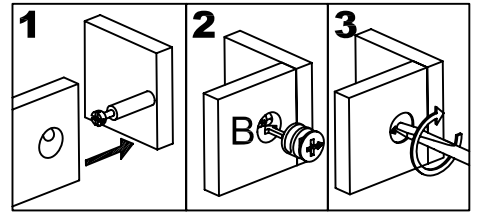
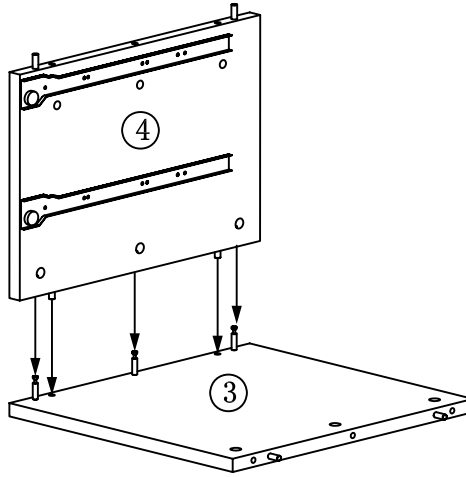
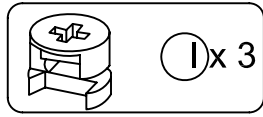
It would be sensible to assemble the furniture as close to its final position as possible.

Do not place furniture directly in front of radiators, fires or any source of heat. Ensure the surface on which you are assembling the furniture is flat and clear of anything that might scratch it.

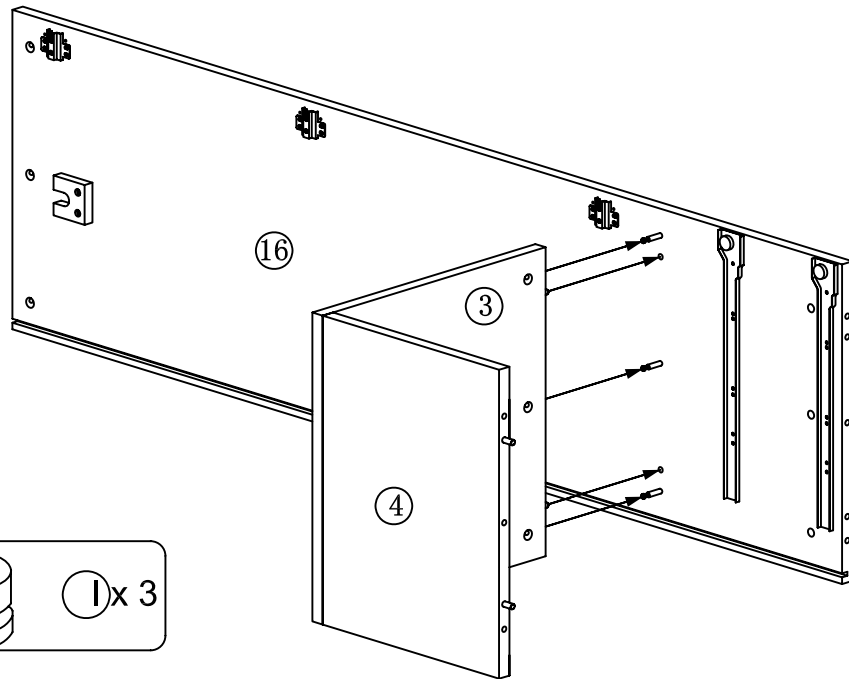
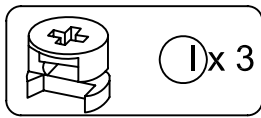
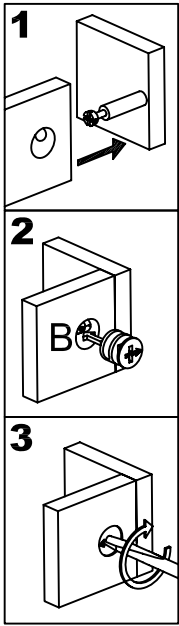
Check all packaging carefully for components and fittings before discarding it.



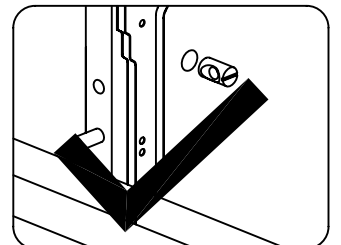
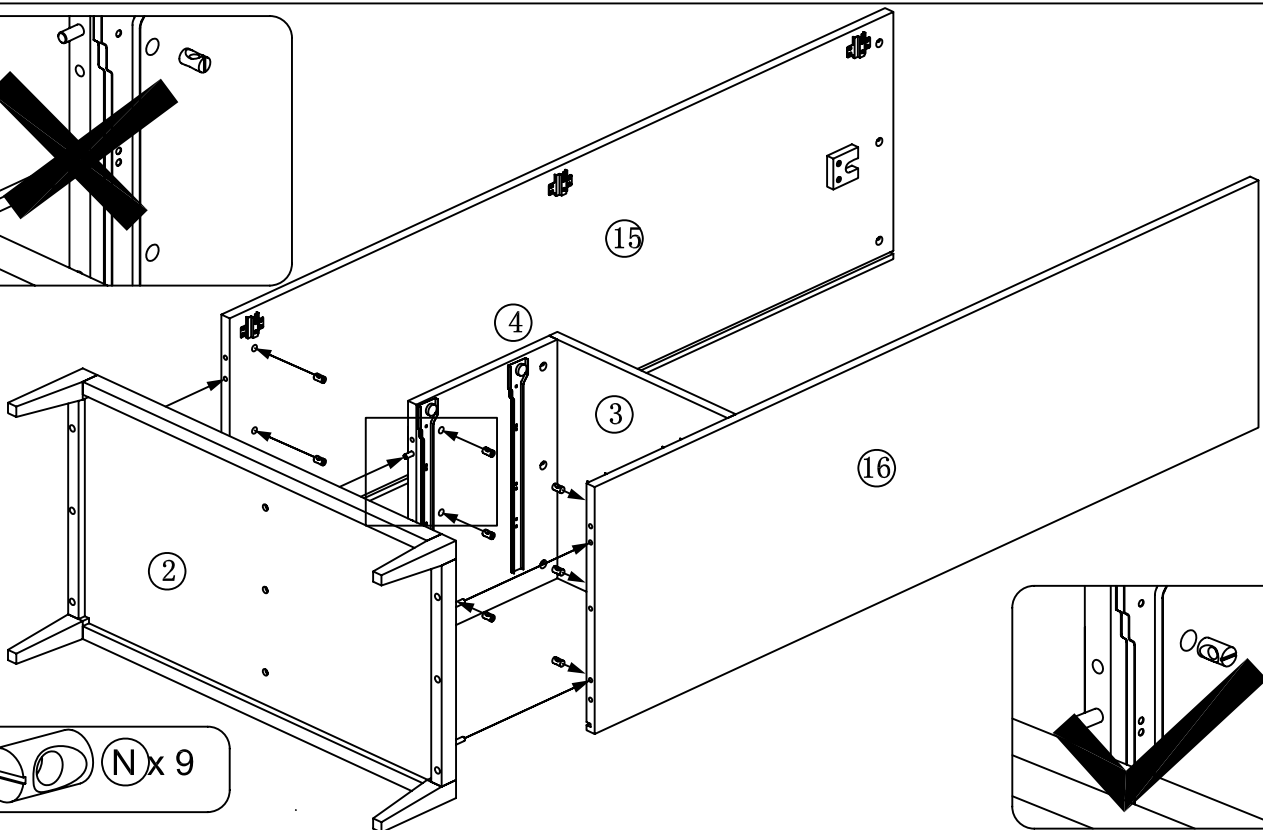
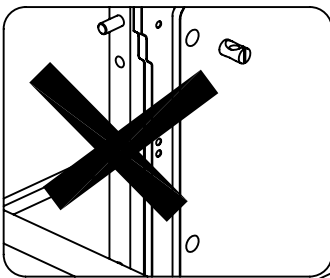
4



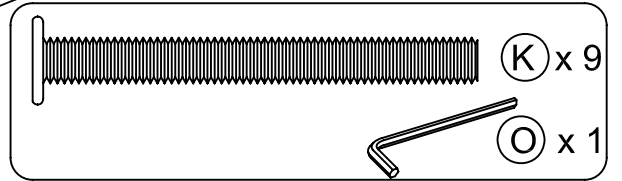
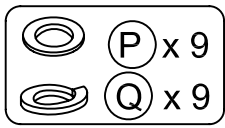
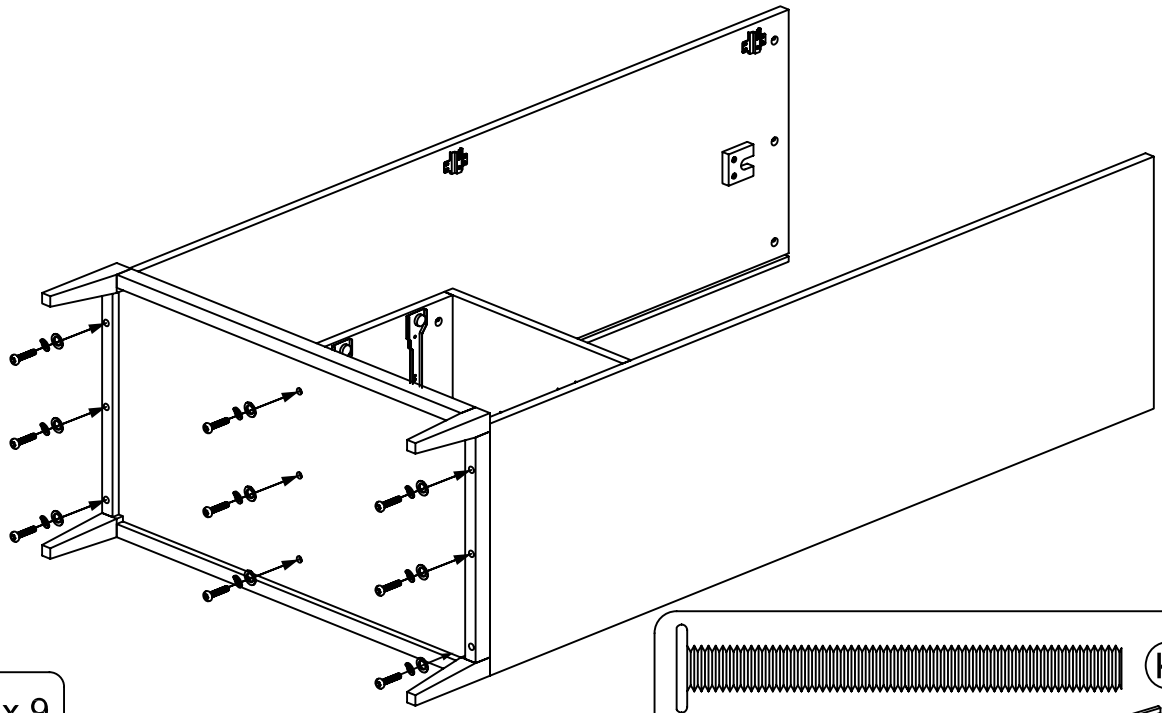
5



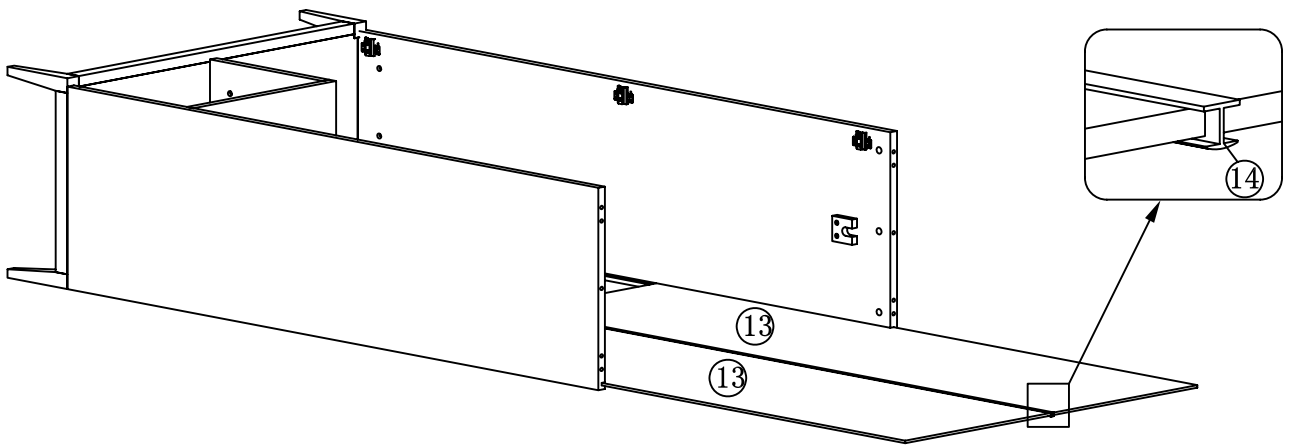
6



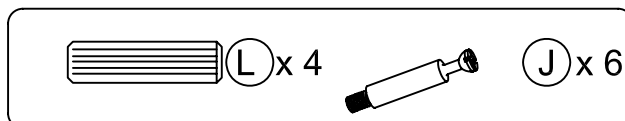
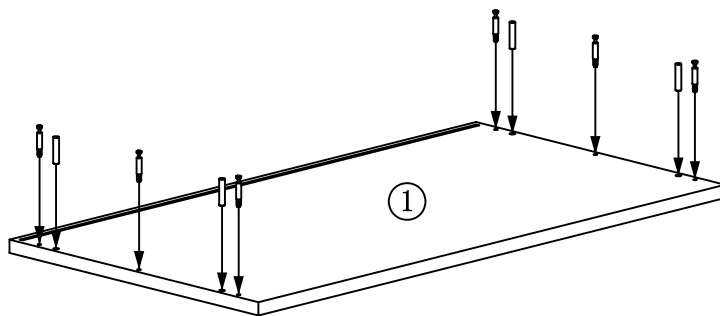
7



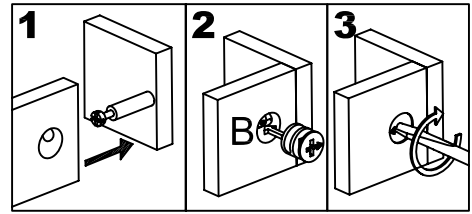
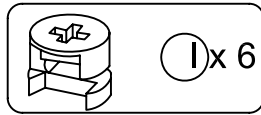
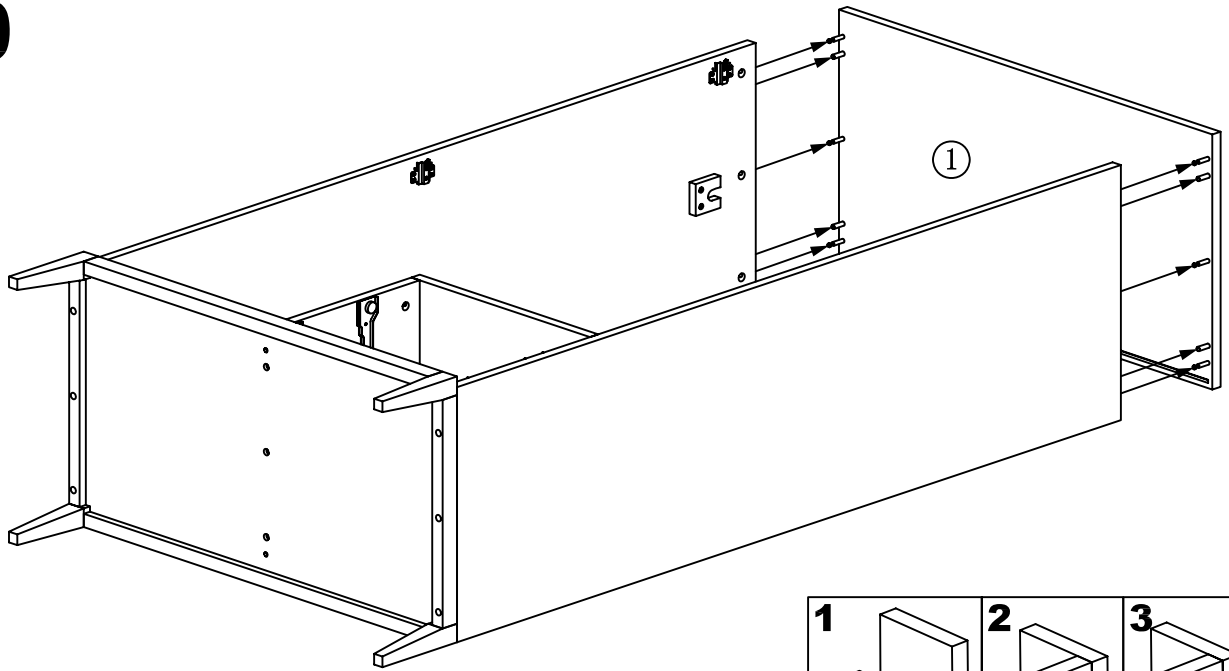
8



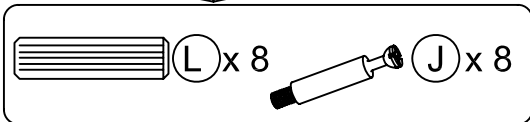
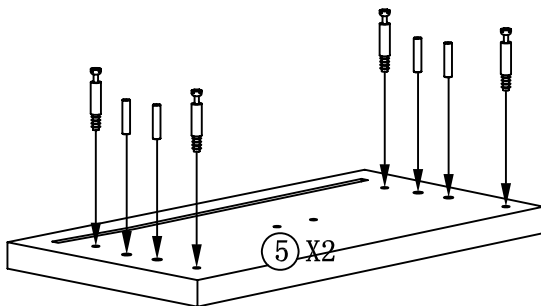
9



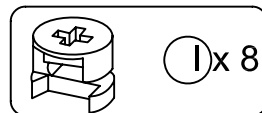
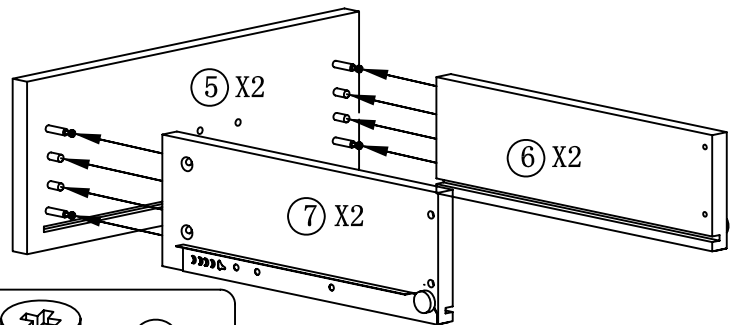
10



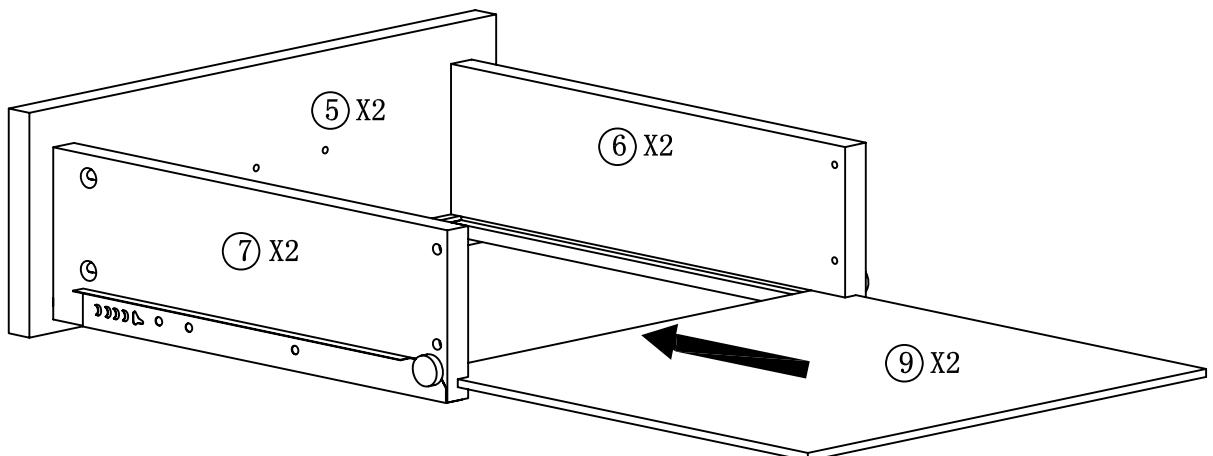
11



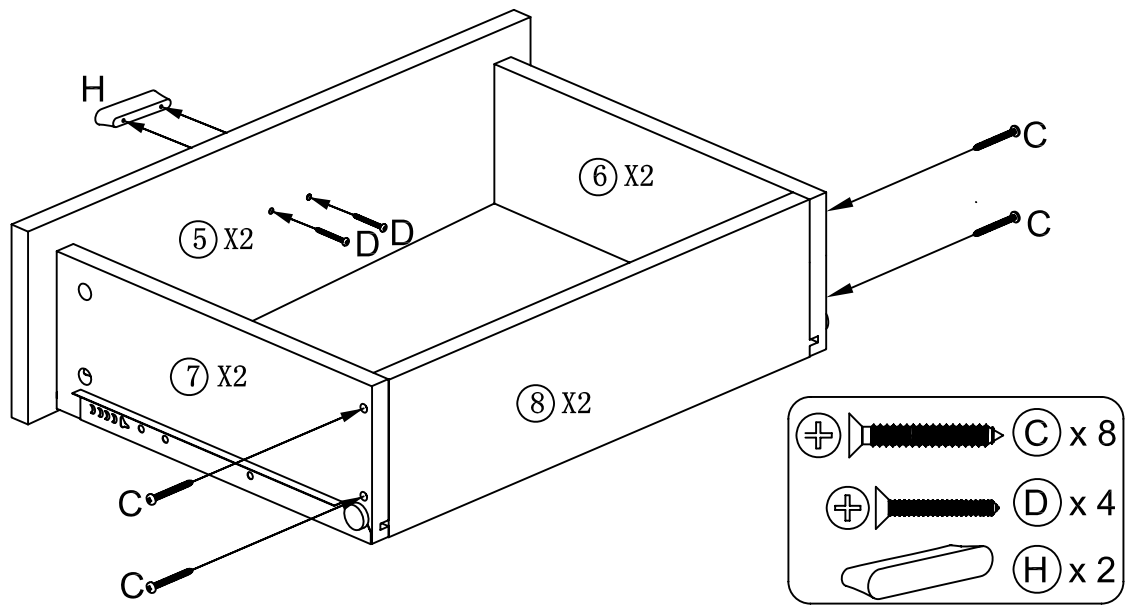
12



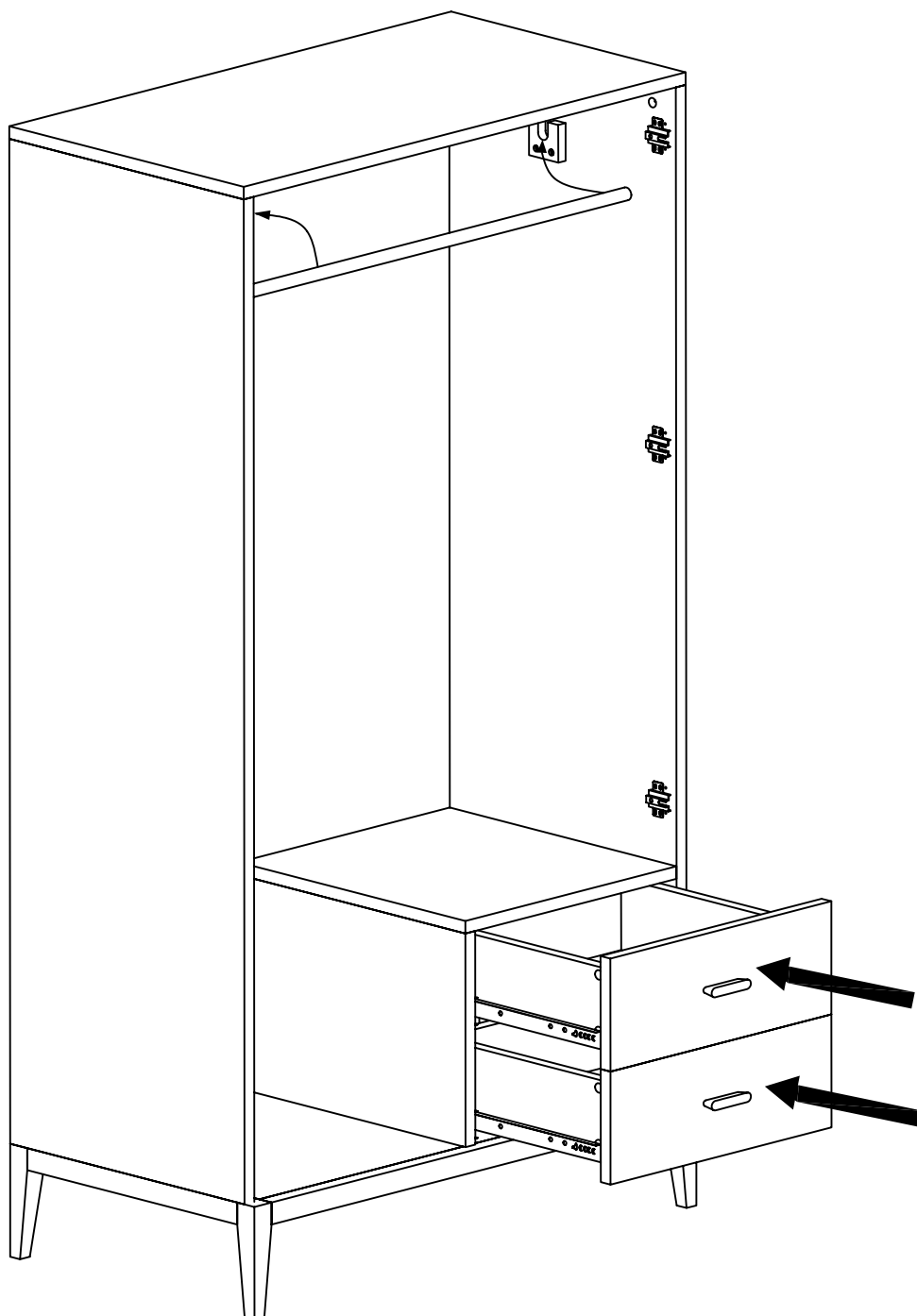
13



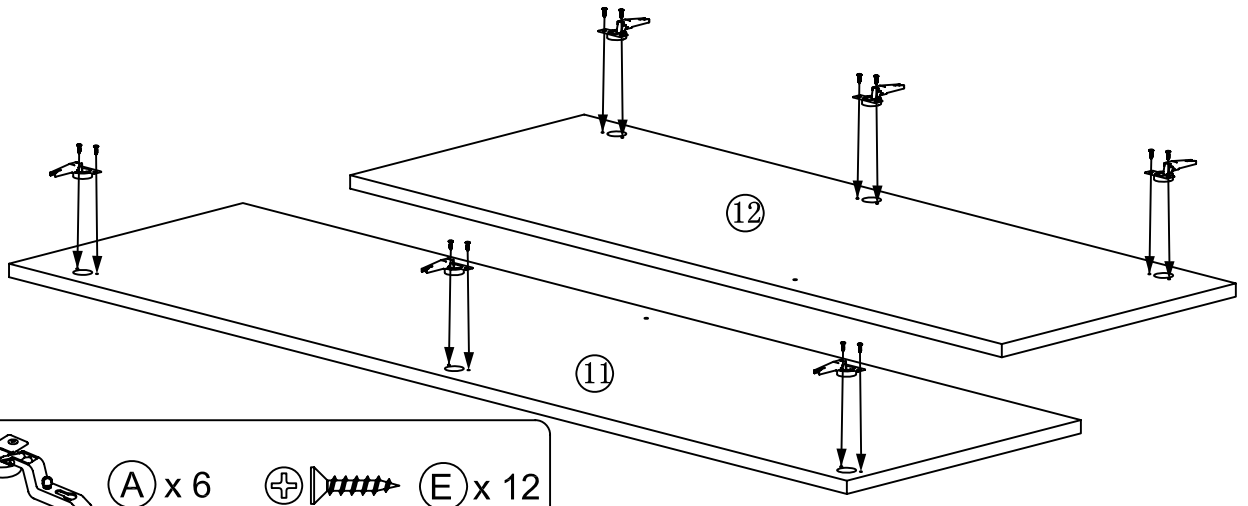
14



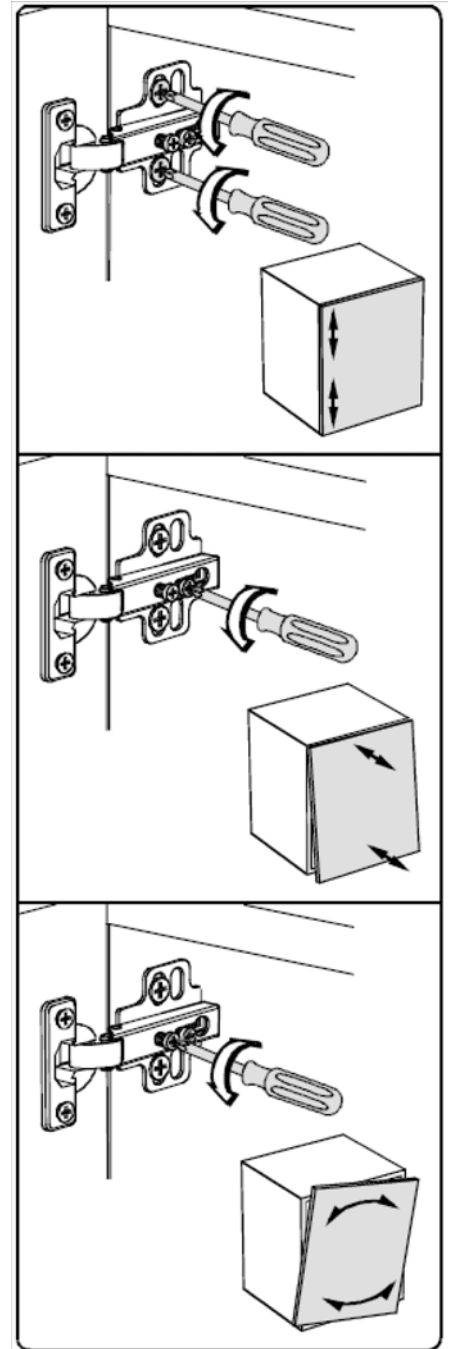
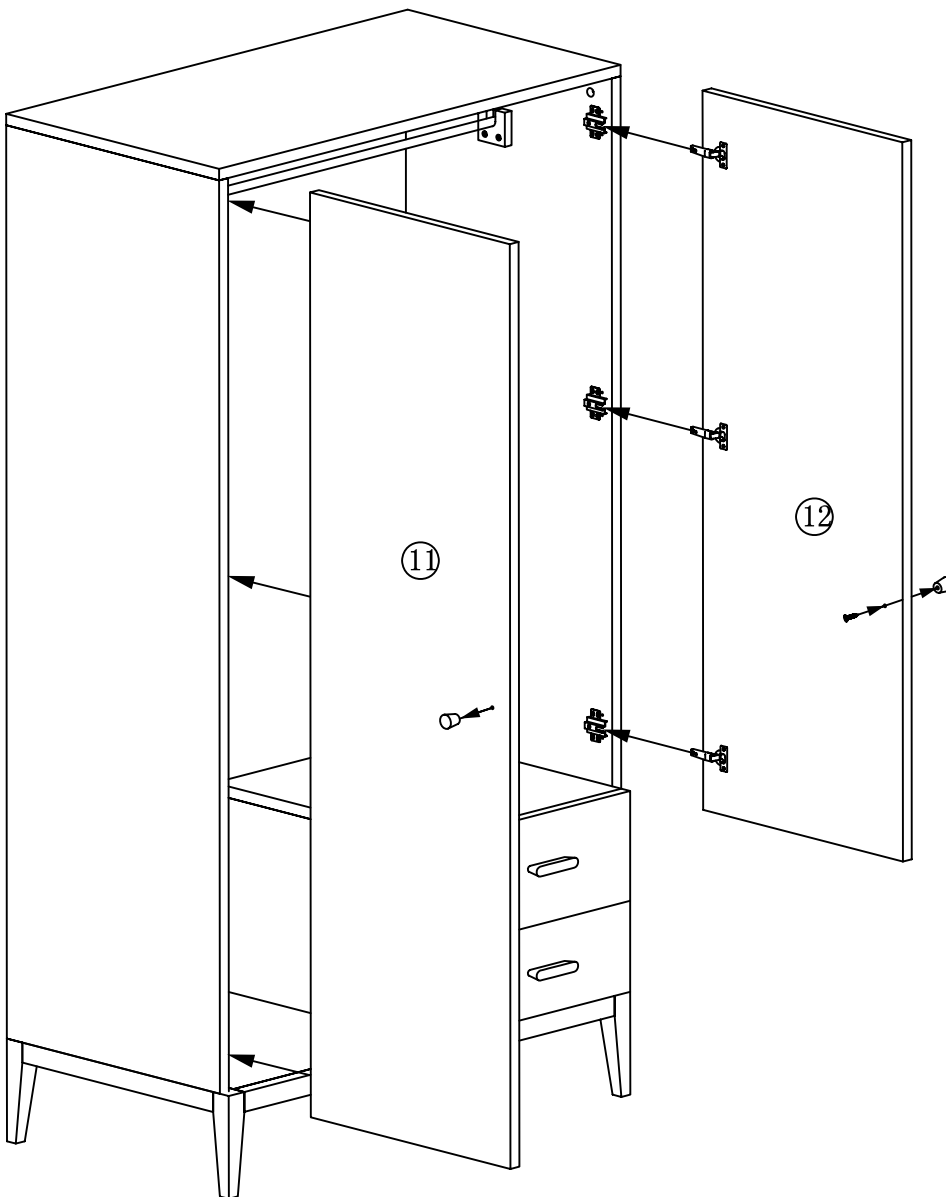
15



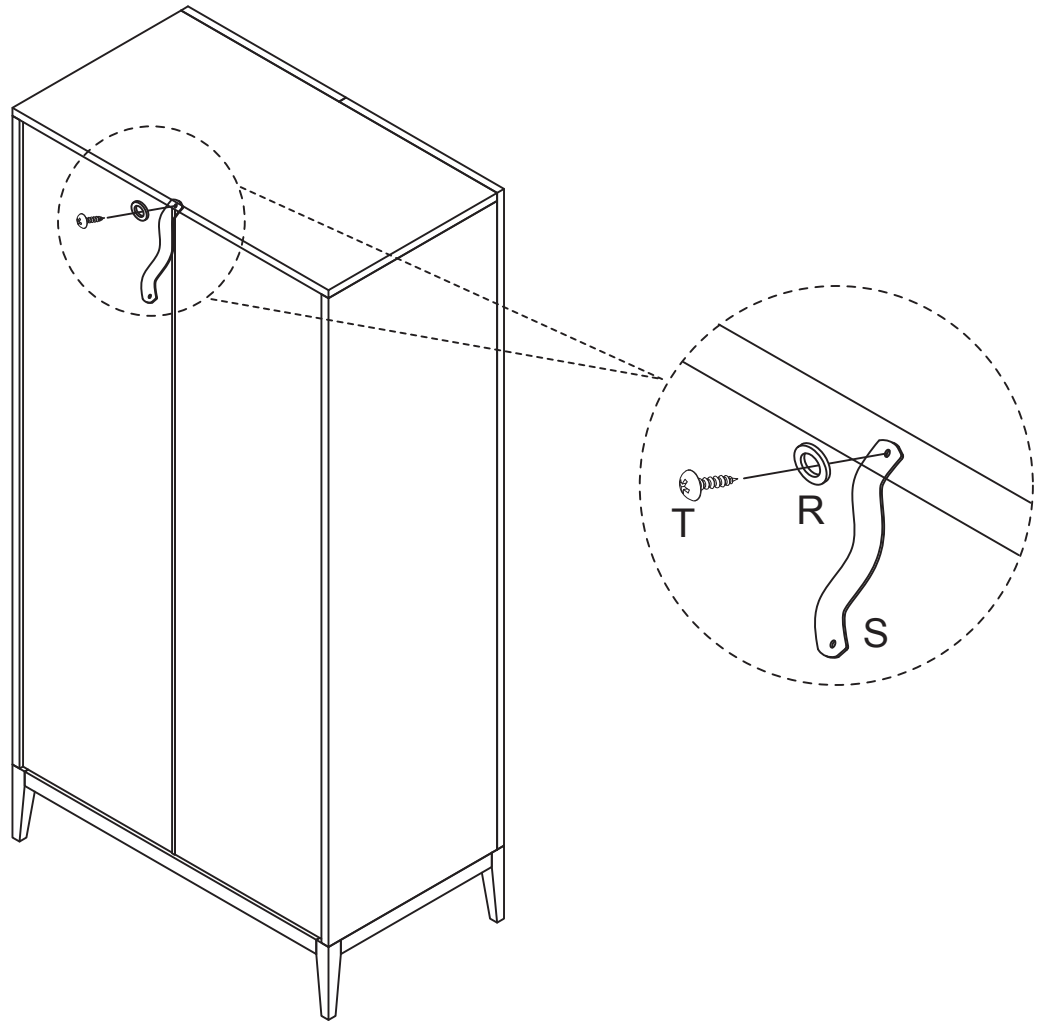
16



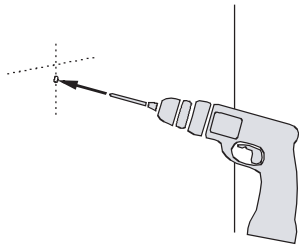
17



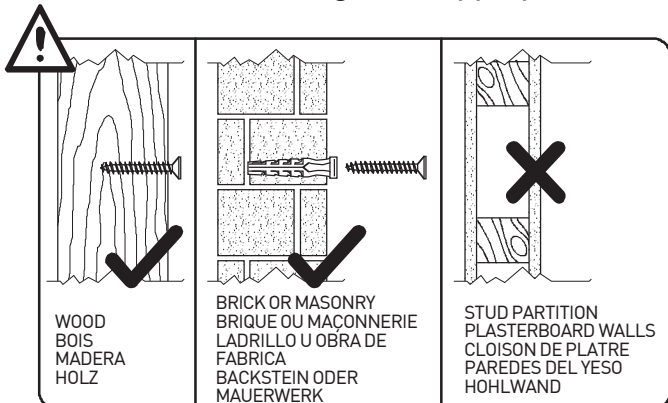
18



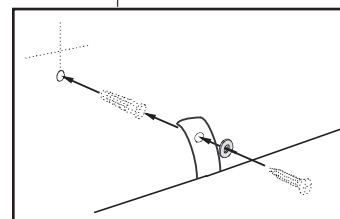
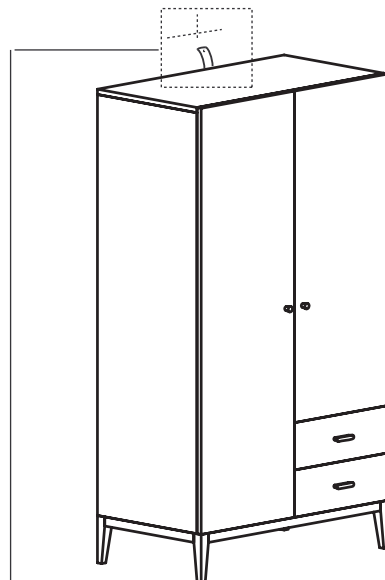
19



Because of the variety of different wall types, Habitat cannot provide you with the exact fittings to fix this product. It is necessary that you identify the type of wall you intend to fix this item onto and contact your local hardware store to get the appropriate fittings.



20



Care Instructions

Cleaning of Solid Timber / Veneers and Lacquered Surfaces

Any spillage should be removed immediately by using a damp cloth, then wiping dry the surface with a clean duster.

Repeat this procedure for periodic cleaning.

The use of furniture polishes or sprays is not necessary or recommended.

If for any reason you should have problems with your Habitat product please contact the store from which you purchased your product.

If you have any comments or suggestions regarding this product, assembly instructions or service received, please enquire at your nearest store or contact us on our website at :-

www.habitat.co.uk

Or write to us at :-

Habitat Retail Ltd. 489 - 499 Avebury Boulevard, Milton Keynes MK9 2NW

