

Malibu - 4+2 Drawer Chest

Assembly Instructions - Please keep for future reference

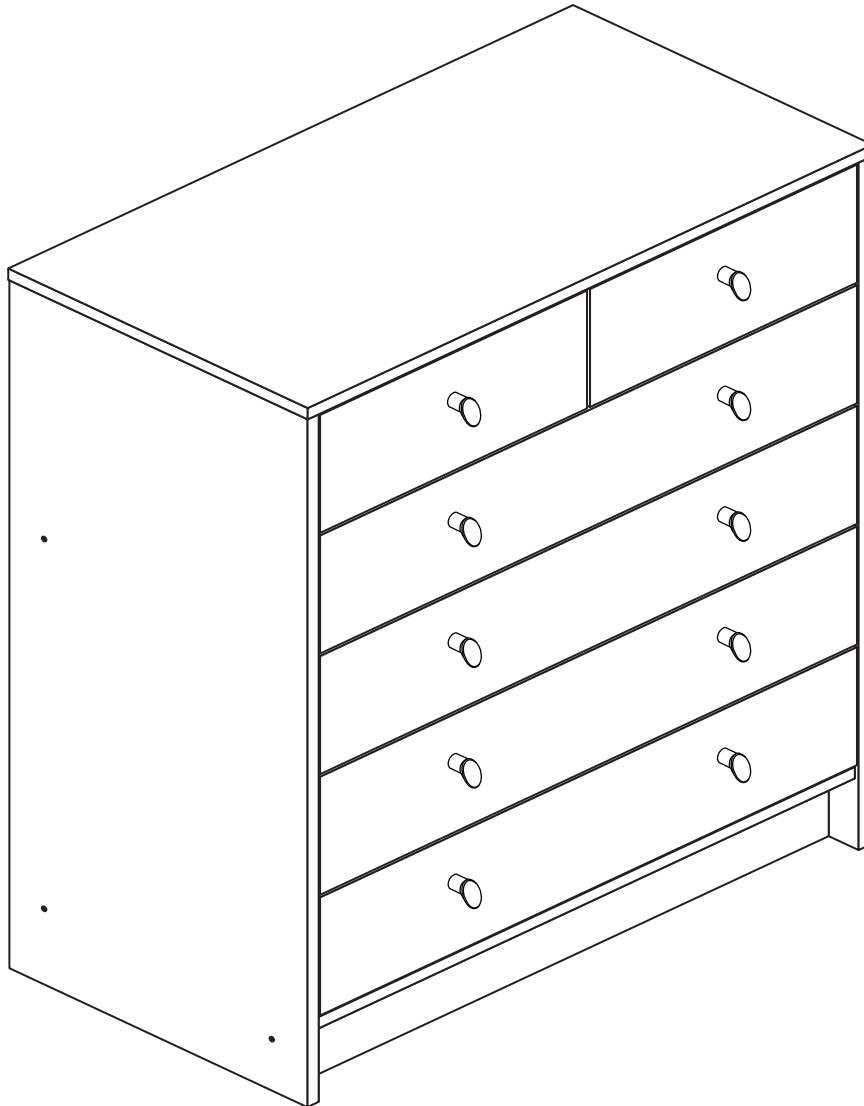
266/1605

244/3971

275/3654

249/4119

275/2875



Dimensions

Width - 75cm

Depth - 40cm

Height - 93cm



**MADE IN
BRITAIN**

Important - Please read these instructions fully before starting assembly

If you need help or have damaged or missing parts, call the **Customer Helpline: 08456 400800**



Safety and Care Advice

Important - Please read these instructions fully before starting assembly

- **Warning:** This unit weighs approximately 31kgs. Please lift with care.

- Check you have all the components and tools listed on pages 2 and 3.

- Remove all fittings from the plastic bags and separate them into their groups.

- Keep children and animals away from the work area, small parts could choke if swallowed.

- Parts of the assembly will be easier with 2 people.

- Make sure you have enough space to layout the parts before starting.

- Do not stand or put weight on the product, this could cause damage.

- Assemble the item as close to its final position (in the same room) as possible.

- Assemble on a soft level surface to avoid damaging the unit or your floor (use opened out unit carton).



- We do not recommend the use of power drill/drivers **for inserting screws**, as this could damage the unit. Only use hand screwdrivers.

- **Safety note:** It is recommended that this unit is secured to a wall using the bracket supplied.

- Dispose of all packaging carefully and responsibly.

Care and maintenance

- Only clean using a damp cloth and mild detergent, do not use bleach or abrasive cleaners.

- From time to time check that there are no loose screws on this unit.

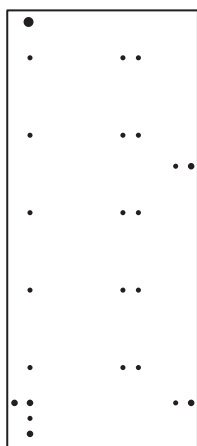
- This product should not be discarded with household waste. Take to your local authority waste disposal centre.

Note: If required the next page can be cut out and used as reference throughout the assembly. Keep this page with these instructions for future reference.

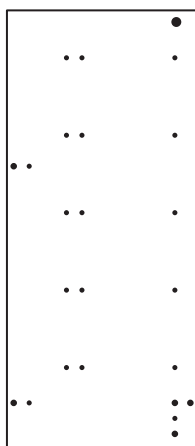
Components - Panels

If you have damaged or missing components, call the
Customer Helpline: 08456 400800 quoting the reference
 numbers below

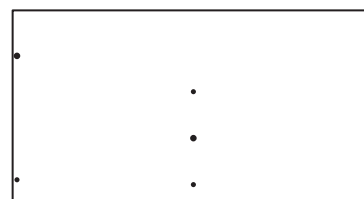
Please check you have all the panels listed below



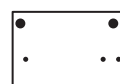
1 Left Side (D2775A)
(911 x 394mm)



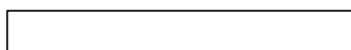
2 Right Side (D2776A)
(911 x 394mm)



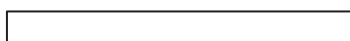
3 Top (D2774A)
(747 x 396mm)



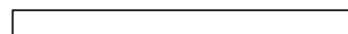
4 Divider (D2777A)
(160 x 238mm)



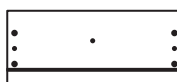
5 Plinth (D2778A)
(714 x 92mm)



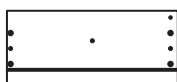
6 Rail (D2780A)
(714 x 72mm)



7 Back Rail (D2779A)
(714 x 60mm) x 2



8 Small Left Drawer
Front (D2781A)
(353 x 156mm)



9 Small Right Drawer
Front (D2782A)
(353 x 156mm)



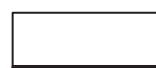
10 Large Drawer Front (D2783A)
(710 x 156mm) x 4



11 Left Drawer Side (W370-124LH)
(370 x 124mm) x 6



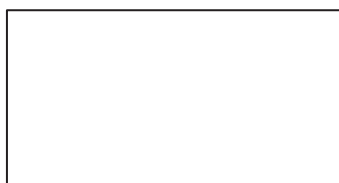
12 Right Drawer Side (W370-124RH)
(370 x 124mm) x 6



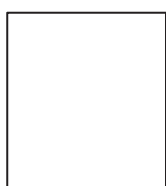
13 Small Drawer Back (W317-124)
(317 x 124mm) x 2



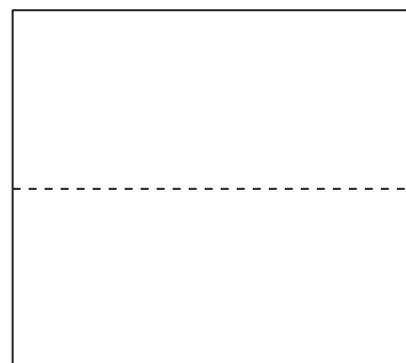
14 Large Drawer Back (W682-124)
(682 x 124mm) x 4



16 Large Drawer Base (T693-367)
(693 x 367mm) x 4



15 Small Drawer Base (T328-367)
(328 x 367mm) x 2



17 Back (X829-738)
(829 x 738mm)

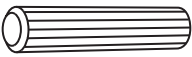
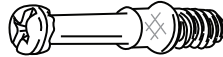

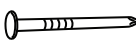







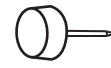


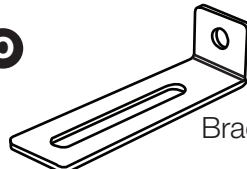



Components - Fittings

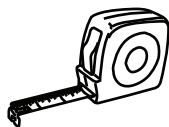
If you have damaged or missing components, call the **Customer Helpline: 08456 400800** quoting the reference numbers below

Please check you have all the fittings listed below

Note: The quantities below are the correct amount to complete the assembly. In some cases more fittings may be supplied than are required.

<p>A </p> <p>Wooden dowel (F22) x 13</p>	<p>B </p> <p>Metal dowel (F901) x 16</p>	<p>C </p> <p>Knock-in Peg (F171GY) x 24</p>
<p>D </p> <p>Nail (F51) x 22</p>	<p>E </p> <p>Large locking nut (F900) x 4</p>	<p>F </p> <p>Small locking nut (F3) x 12</p>
<p>G </p> <p>40mm Screw (F910) x 6</p>	<p>H </p> <p>25mm Screw (F50) x 10</p>	<p>I </p> <p>13mm Screw (F79) x 1</p>
<p>J </p> <p>9mm Screw (F74) x 12</p>	<p>K </p> <p>9mm Screw (F73) x 24</p>	<p>L </p> <p>Plastic Nail (F91) x 4</p>
<p>M </p> <p>Wedgifix (F639) x 20</p>	<p>N </p> <p>Handle (F631) x 10</p>	<p>O </p> <p>Bracket (F327) x 1</p>
<p>P </p> <p>Drawer runner (F1004) x 12</p>		

Tools required



Rule



Cross-head screwdriver



Scissors



Hammer



Eye protection (when using a hammer or drill)



Electric drill (do not use for fitting screws)

Ruler - Use this ruler to help correctly identify the screws

mm 10 20 30 40 50 60 70 80 90 100 110 120 130 140 150 160 170

Assembly Instructions

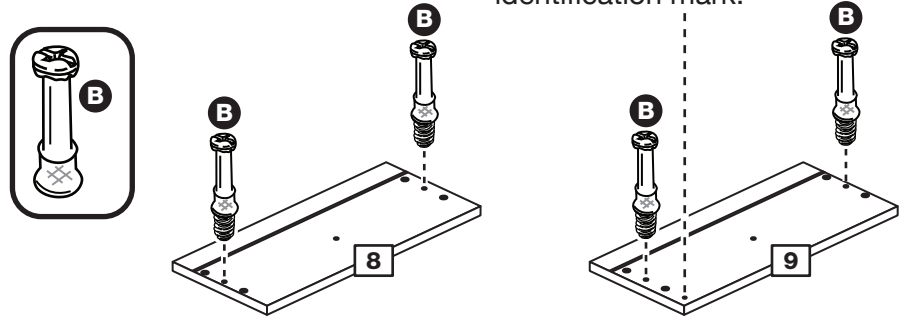
If you have damaged or missing components, call the **Customer Helpline: 08456 400800** quoting the reference numbers below

Step 1

Prepare the 2 small drawer fronts

Screw 2 metal dowels **B** into the small left drawer front **8** and the small right drawer front **9**.

Note: Tighten the metal dowels up fully against the panels.



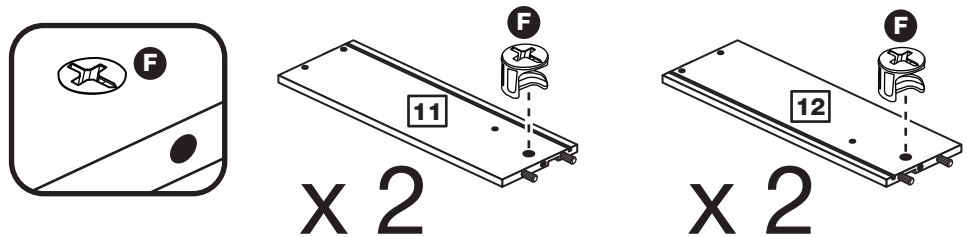
Note: The small right drawer front has a shallow identification mark.

Step 2

Prepare 2 pairs of drawer sides

Insert a small locking nut **F** into the hole shown on the left drawer side **11** and the right drawer side **12**.

Note: The arrow on the locking nut **must** point towards the hole in the edge of the panel.



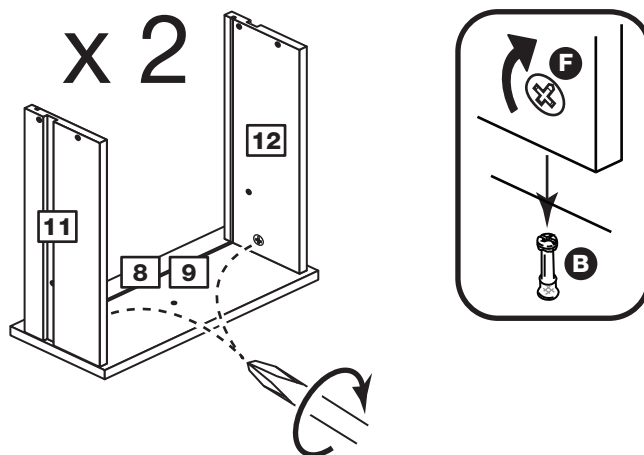
Step 3

Attach the drawer sides to the small drawer fronts

Push the left drawer sides **11** and right drawer sides **12** onto the back of the 2 small drawer fronts **8** and **9**.

Turn the small locking nuts **F** on the left drawer side **11** and right drawer side **12**.

Note: Turn the locking nuts **F** clockwise to secure panels - more than 1/2 a turn.

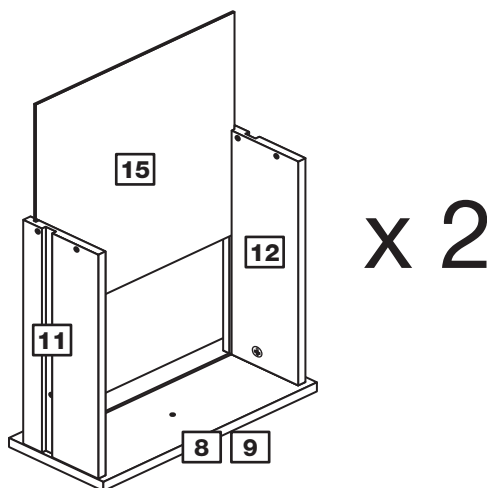


Assembly Instructions

Step 4

Fit the small drawer base

Slide the small drawer base **15** down the grooves in the drawer sides **11** and **12** and down into the groove in the small drawer fronts **8** and **9**.

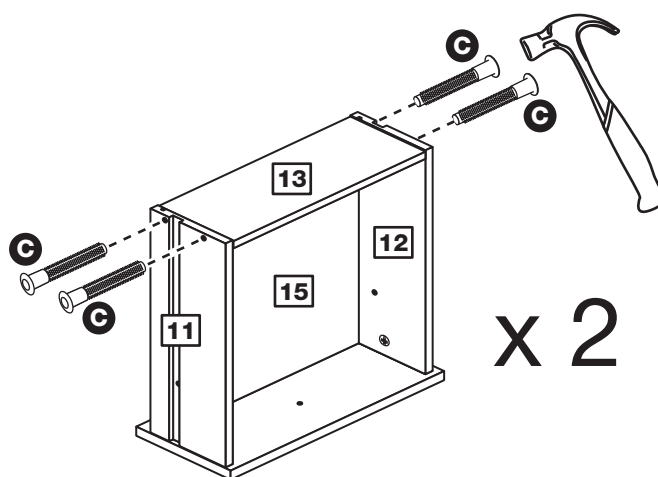


Step 5

Fit the small drawer back

Fit the small drawer back **13** between the drawer sides **11** and **12**. Make sure that the small drawer base **15** fits into the groove in the small drawer back **13**.

Hold the small drawer back **13** in position and tap the knock-in pegs **C** through the holes in the drawer sides **11** and **12**.

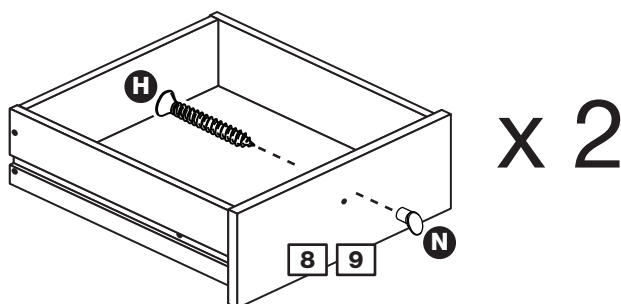


Step 6

Attach the handles

Attach a handle **N** to each small drawer front **8** and **9** using screw **H**.

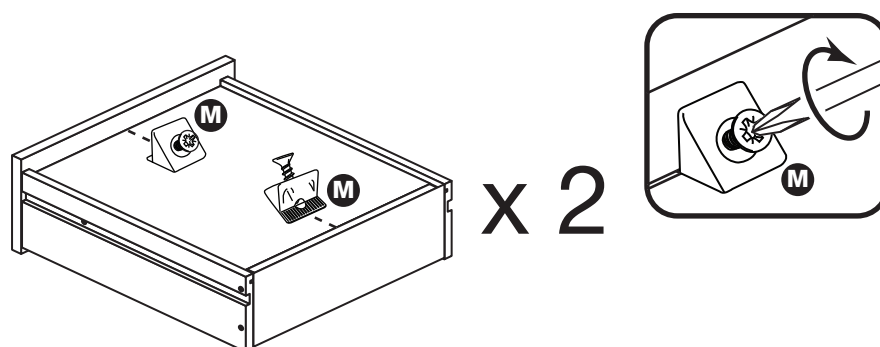
Note: Do not overtighten the screw.



Step 7

Fit the wedgexes

Turn the drawer assemblies over and slide 2 wedgexes **M** into the front and back grooves, as shown, and tighten up the screws.



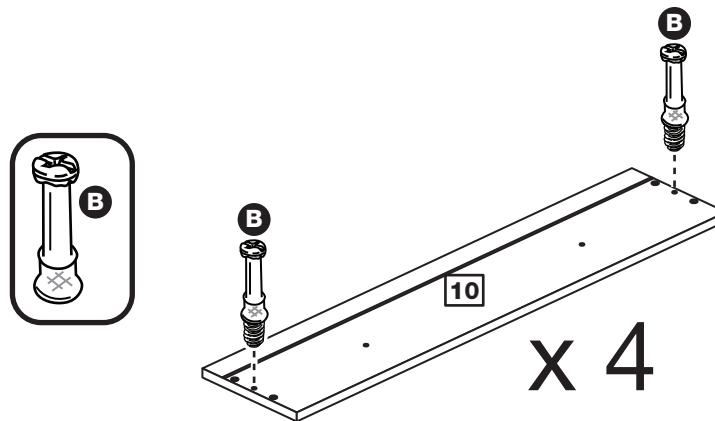
Assembly Instructions

Step 8

Prepare the large drawer fronts

Screw 2 metal dowels **B** into each of the large drawer fronts **10**.

Note: Tighten the metal dowels up fully against the panels.

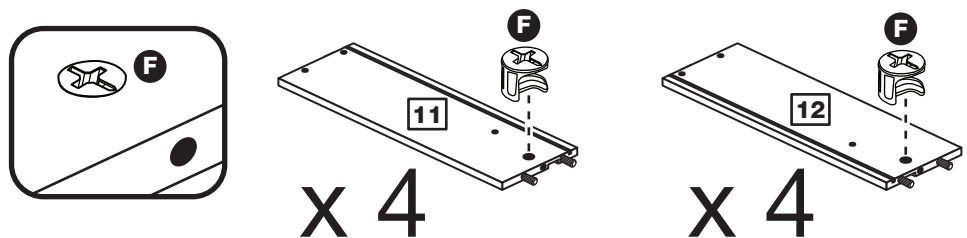


Step 9

Prepare 4 pairs of the drawer sides

Insert a small locking nut **F** into the hole shown on the left drawer side **11** and the right drawer side **12**.

Note: The arrow on the locking nut **must** point towards the hole in the edge of the panel.



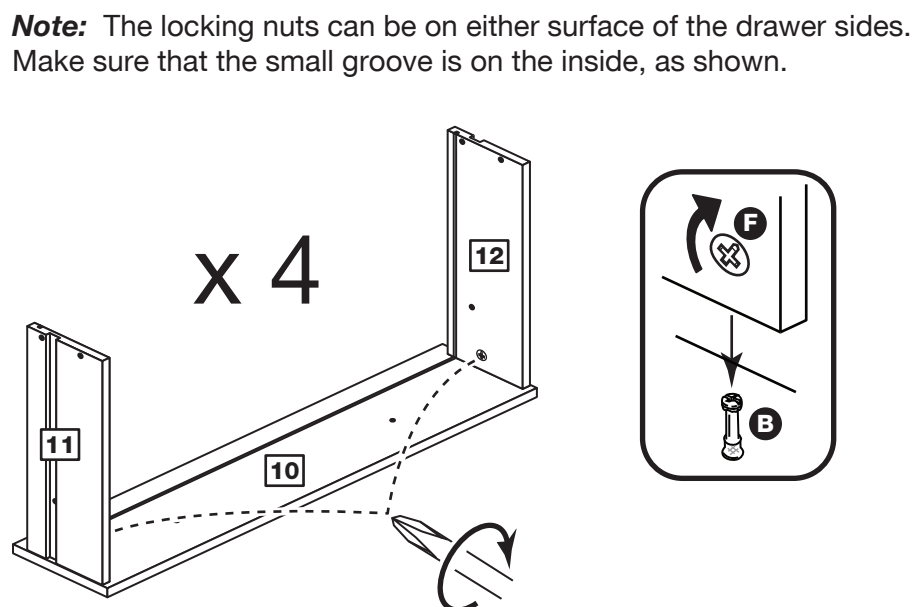
Step 10

Attach the drawer sides to the large drawer fronts

Push the left drawer sides **11** and right drawer sides **12** onto the back of the 4 large drawer fronts **10**.

Turn the small locking nuts **F** on the left drawer side **11** and right drawer side **12**.

Note: Turn the locking nuts **F** clockwise to secure panels - more than 1/2 a turn.

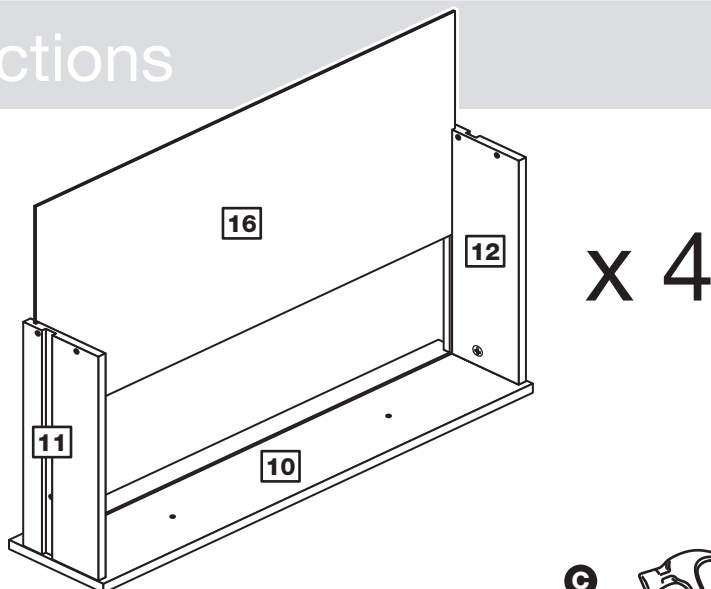


Assembly Instructions

Step 11

Fit the large drawer base

Slide the large drawer base **16** down the grooves in the drawer sides **11** and **12** and down into the groove in the large drawer fronts **10**.



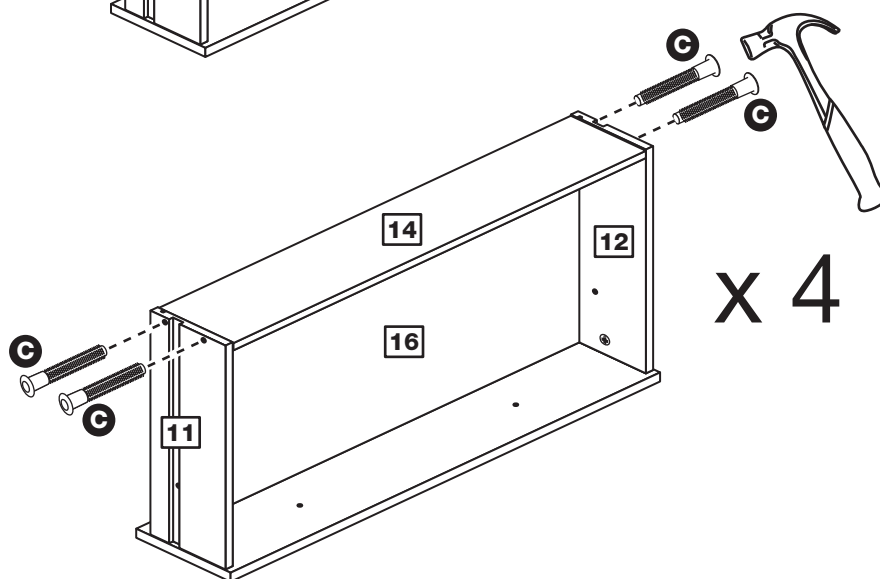
Step 12

Fit the large drawer back

Fit the large drawer back **14** between the drawer sides **11** and **12**.

Make sure that the large drawer base **16** fits into the groove in the large drawer back **14**.

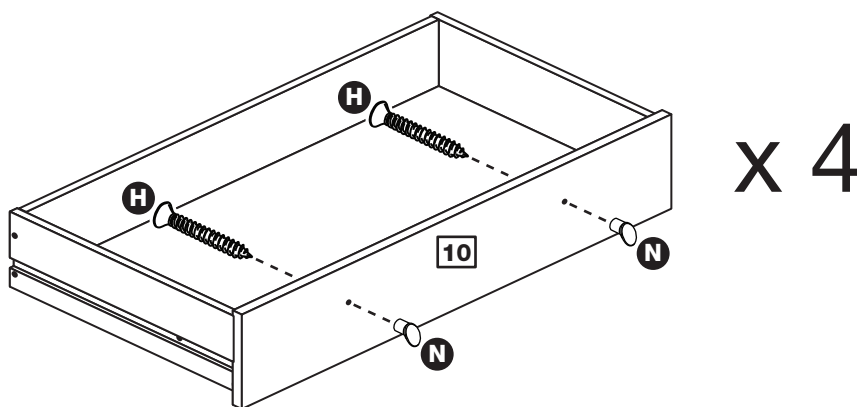
Hold the large drawer back **14** in position and tap the knock-in pegs **C** through the holes in the drawer sides **11** and **12**.



Step 13

Attach the handles

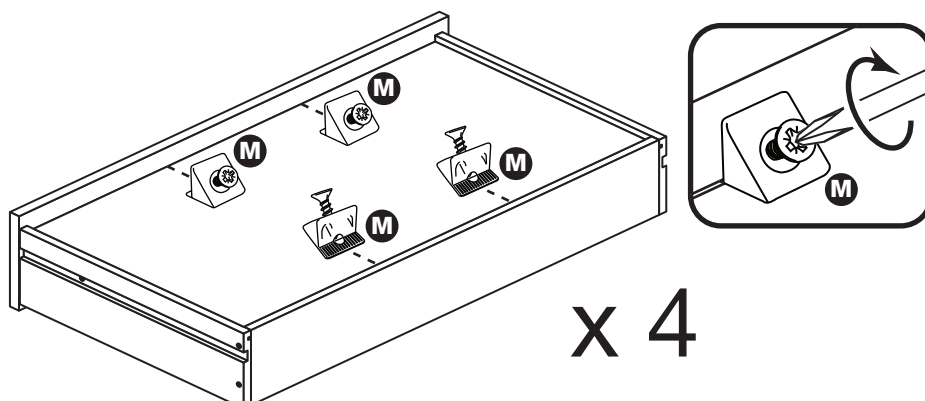
Attach 2 handles **N** to each of the large drawer fronts **10** using 2 screws **H**.



Step 14

Fit the wedgifixes

Turn the large drawer assemblies over and slide 4 wedgifixes **M** into the front and back grooves, as shown, and tighten up the screws.



Assembly Instructions

Step 15

Prepare the left side

a: Place 5 runners **P** on the left side **1** as shown. Slide back the top of runner and use the 2nd hole from the front to fit the 1st screw **K**.

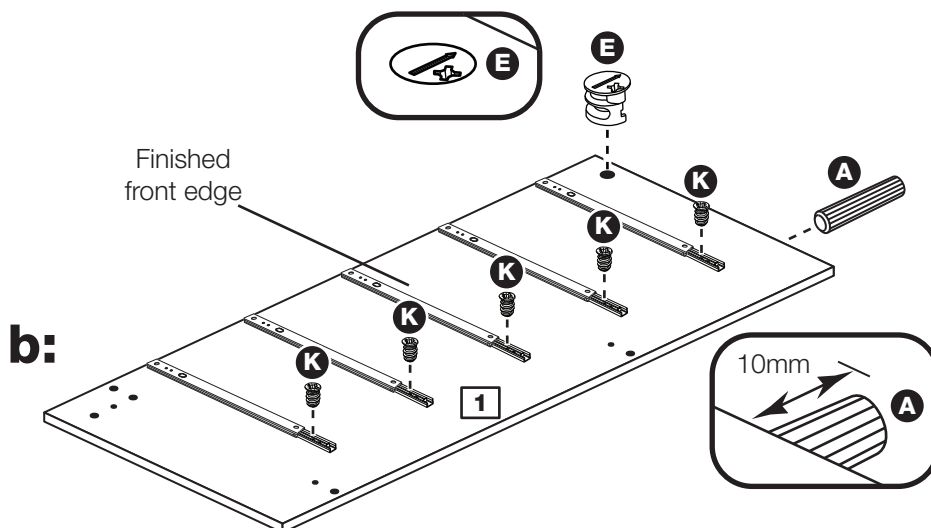
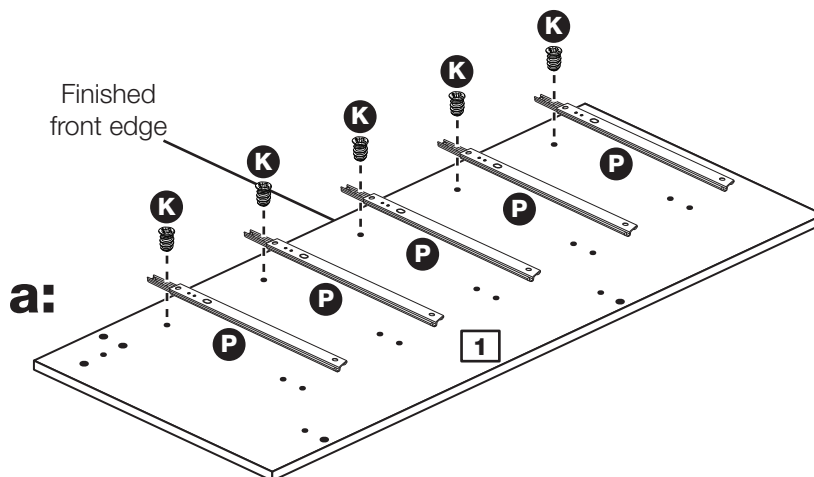
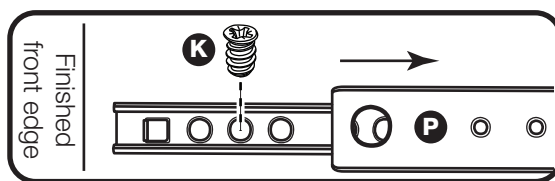
b: Slide the runner **P** back the other way and fit the 2nd screw **K** into the corresponding hole in the left side **1**.

Insert a large locking nut **E** into the left side **1**.

Note: The arrow on the locking nuts **must** point towards the hole in the edge of the panel.

Tap a wooden dowel **A** into the left side **1**.

Note: Wooden dowels **must not** stick out from the edge by more than 10mm or they may damage other panels.



Assembly Instructions

Step 16

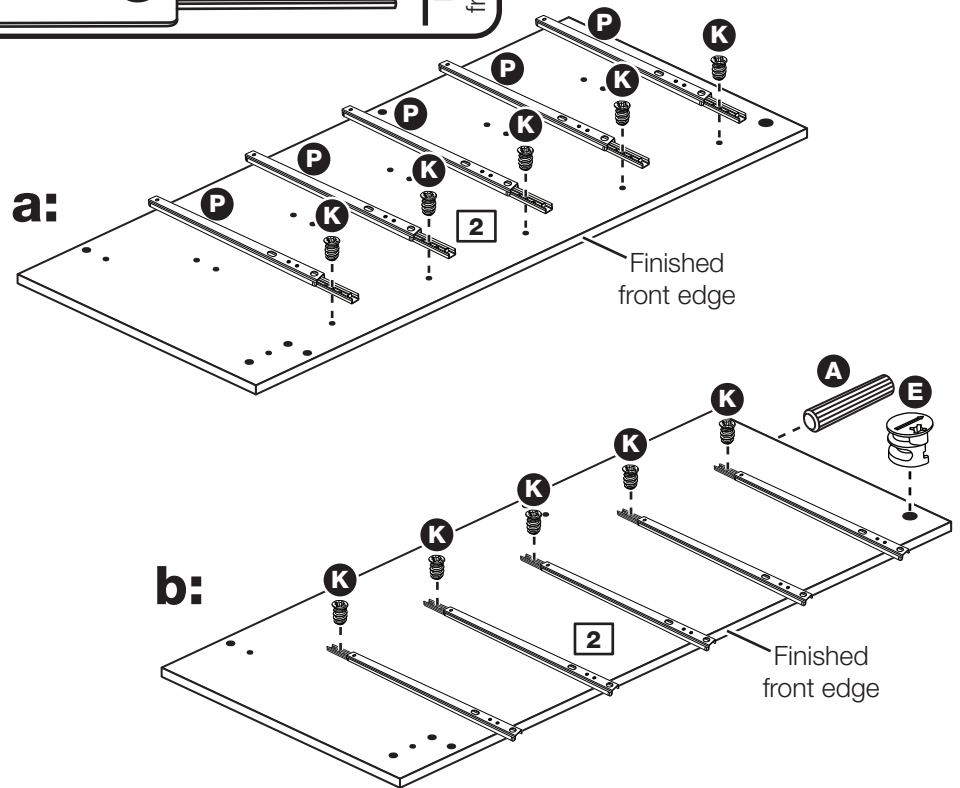
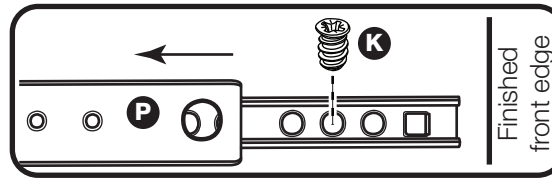
Prepare the right side

a: Place 5 runners **P** on the right side **2** as shown. Slide back the top of runner and use the 2nd hole from the front to fit the 1st screw **K**.

b: Slide the runner **P** back the other way and fit the 2nd screw **K** into the corresponding hole in the right side **2**.

Insert a large locking nut **E** into the right side **2**.

Tap a wooden dowel **A** into the right side **2**.



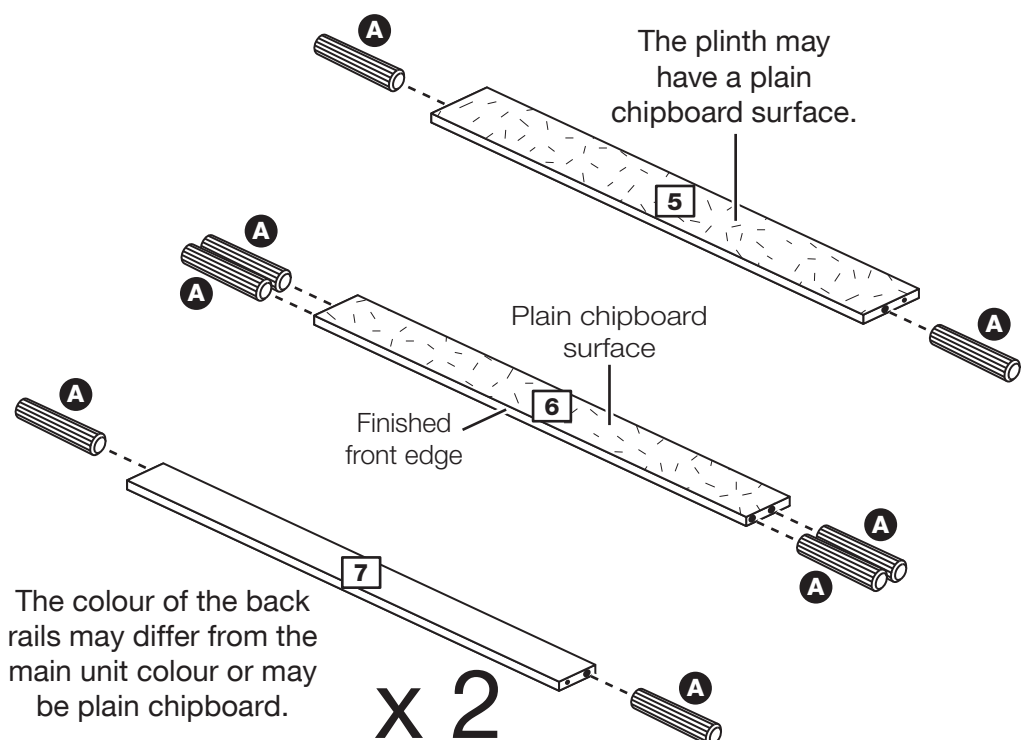
Step 17

Prepare the plinth, rail and 2 back rails

Tap 2 wooden dowels **A** into the plinth **5**.

Tap 4 wooden dowels **A** into the rail **6**.

Tap 2 wooden dowels **A** into each of the 2 back rails **7**.

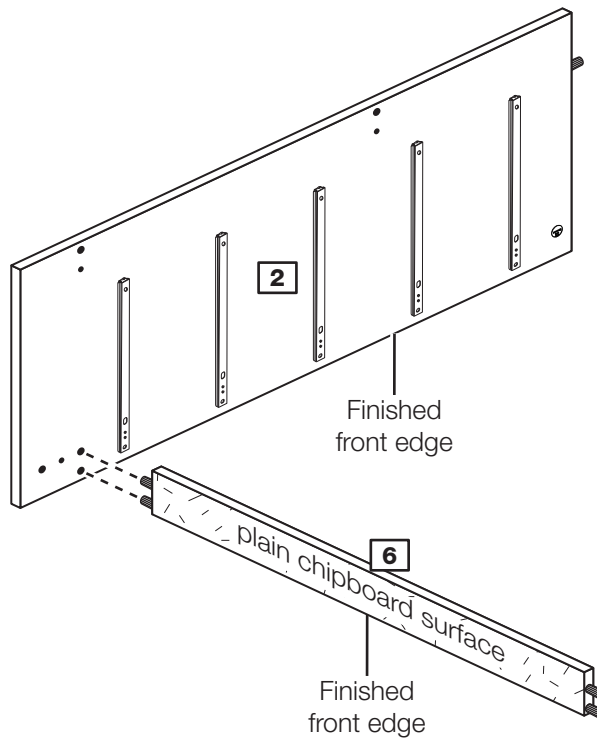


Assembly Instructions

Step 18

Fit the rail to the right side

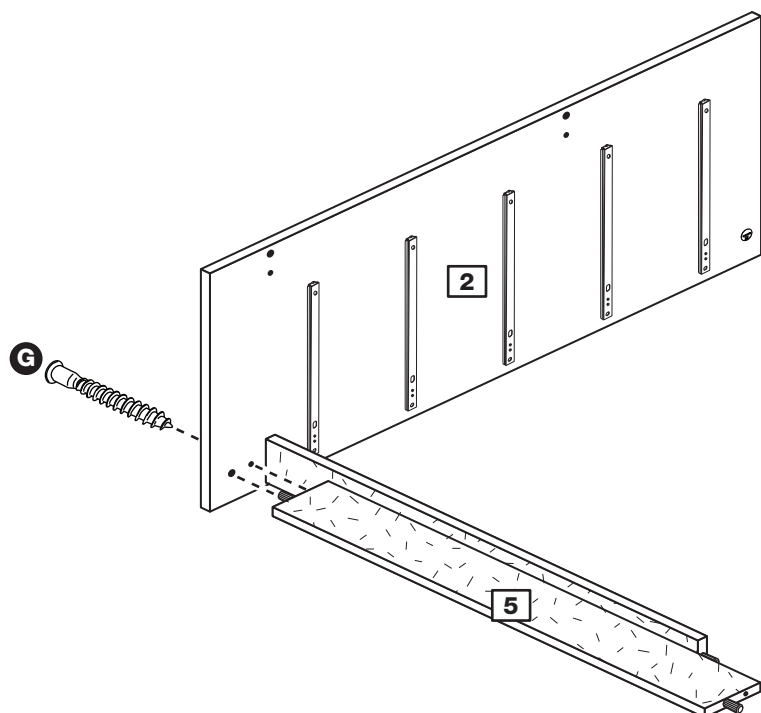
Push the rail **6** onto the right side **2** as shown .



Step 19

Fit the plinth to the right side

Push the plinth **5** onto the right side **2** and secure it with screw **G**.

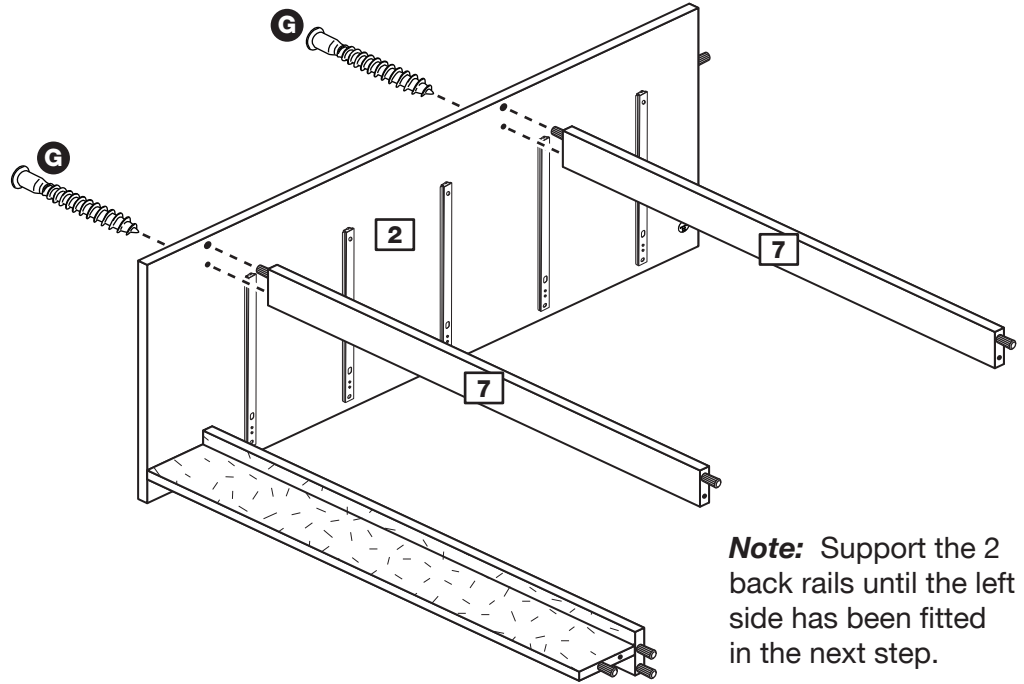


Assembly Instructions

Step 20

Fit the back rails to the right side

Push the 2 back rails **7** onto the right side **2** and secure them with screws **G**.

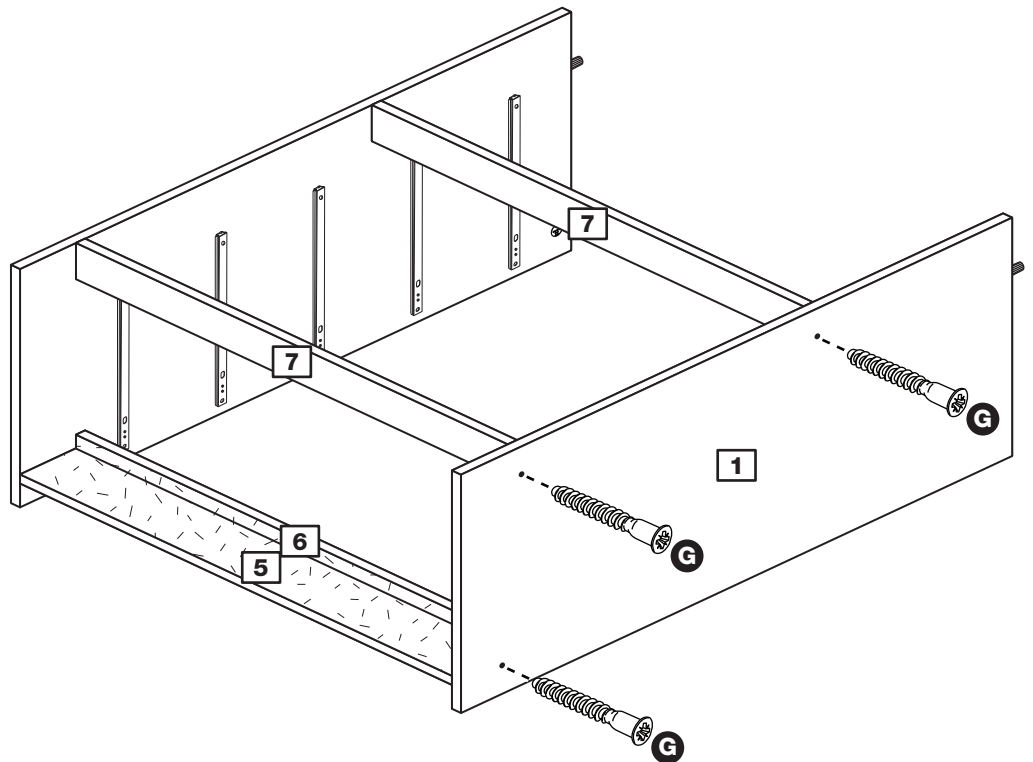


Note: Support the 2 back rails until the left side has been fitted in the next step.

Step 21

Fit the left side

Push the left side **1** onto the assembly and secure it with screws **G**.



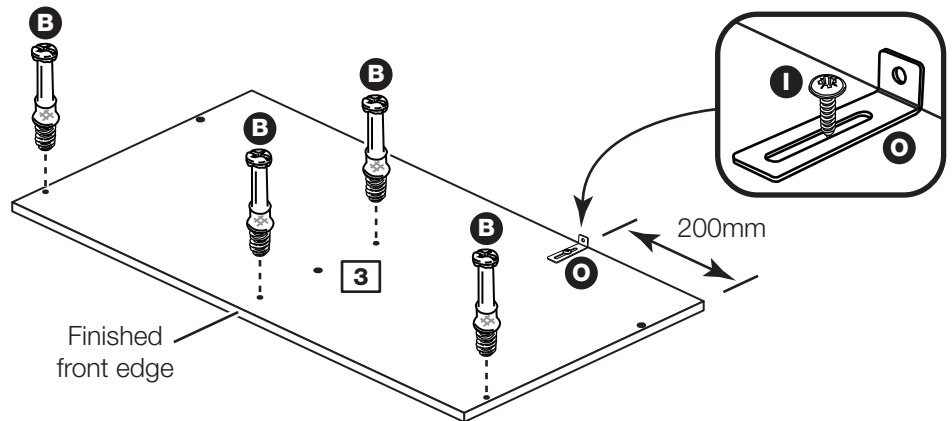
Assembly Instructions

Step 22

Prepare the top

Screw 4 metal dowels **B** into the top **3**.

Fix a bracket **O** flush to the back edge of the top **3** and 200mm in from the end using screw **I**.



Step 23

Prepare the divider

a: Place a runner **P** on the divider **4** as shown. Slide back the top of runner and use the 2nd hole from the front to fit the 1st screw **K**.

b: Slide the runner **P** back the other way and fit the 2nd screw **K** into the corresponding hole in the divider **4**.

Insert 2 large locking nuts **E** into the divider **4**.

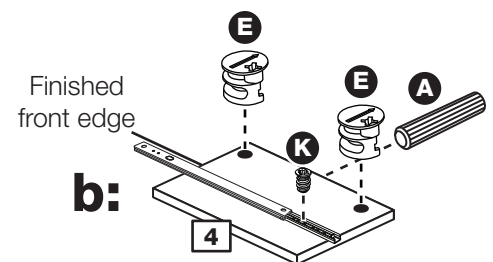
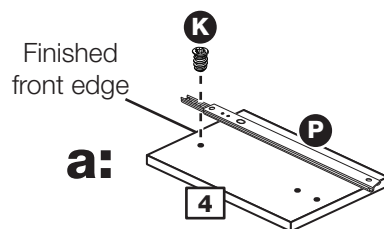
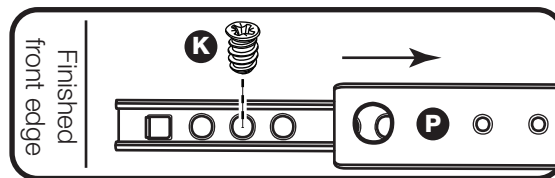
Tap a wooden dowel **A** into the divider **4**.

Turn the divider over

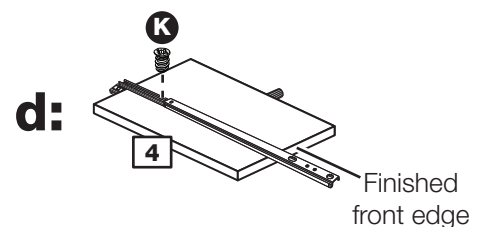
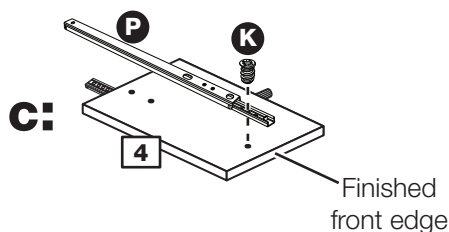
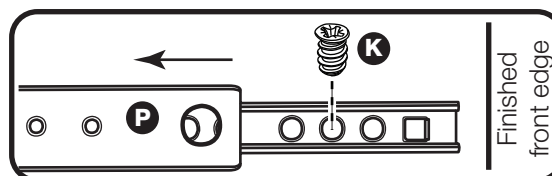
c: Place a runner **P** on the divider **4** as shown. Slide back the top of runner and use the 2nd hole from the front to fit the 1st screw **K**.

d: Slide the runner **P** back the other way and fit the 2nd screw **K** into the corresponding hole in the divider **4**.

Note: Due to the manufacturing process, the 2 holes for the large locking nut can be on either surface of the divider.



Turn the divider over



Assembly Instructions

Step 24

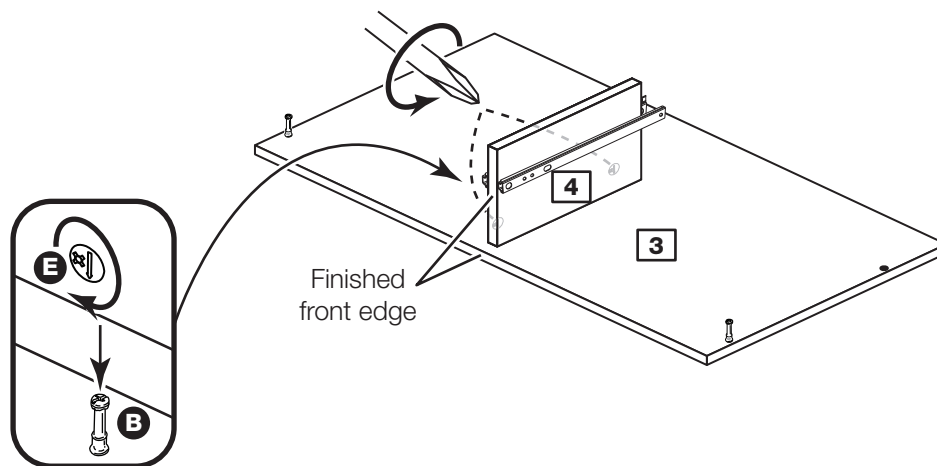
Fit the divider to the top

Push the divider **4** onto the top **3**.

Use a screwdriver to tighten the 2 large locking nuts **E** fitted to the divider **4**.

Note: Turn the large locking nuts **E** as far as they will go - more than 1/2 a turn.

Remember: The large locking nuts can be on either surface of the divider.

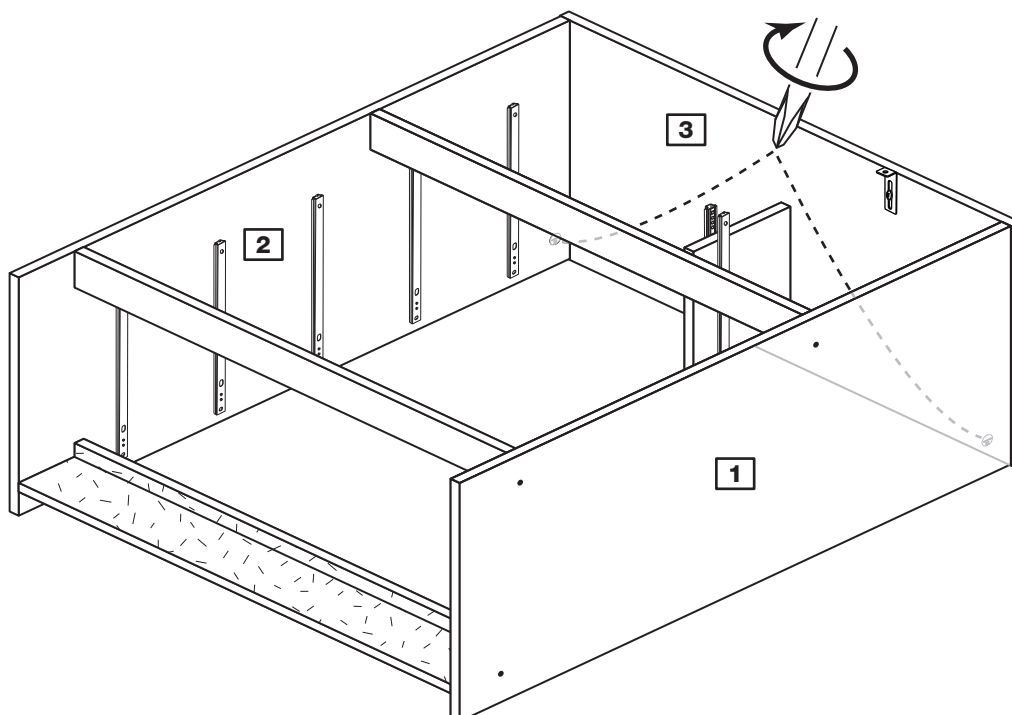


Step 25

Fit the top

Push the top **3** onto the sides **1** and **2**.

Use a screwdriver to tighten the 2 large locking nuts **E** fitted to the sides **1** and **2**.



Assembly Instructions

Step 26

Fit the back

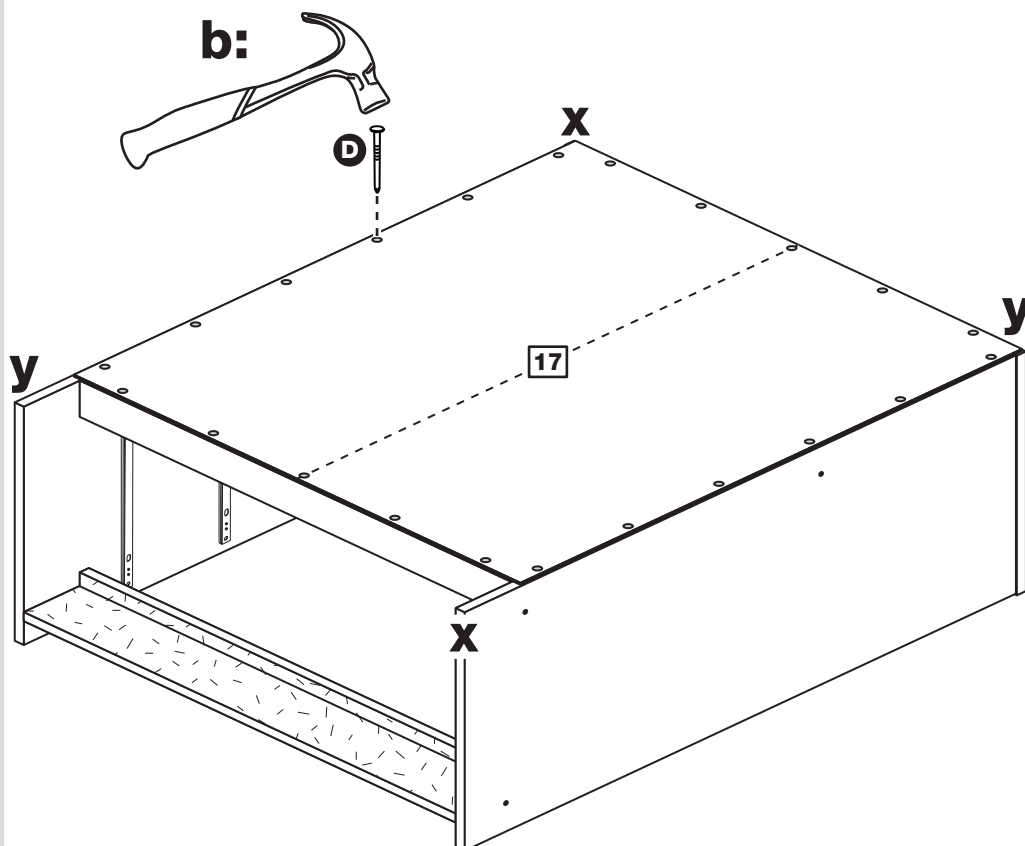
a: Square up the unit by making sure that measurement **x to x** equals **y to y**.

b: Place the back **17** down onto the unit, as shown.

Nail **D** around the outside edges of the back **17**.

Note: Nails should be spaced about 150mm apart.

a: The measurement from top corner X to bottom corner X must be equal to the measurement from top corner Y to bottom corner Y

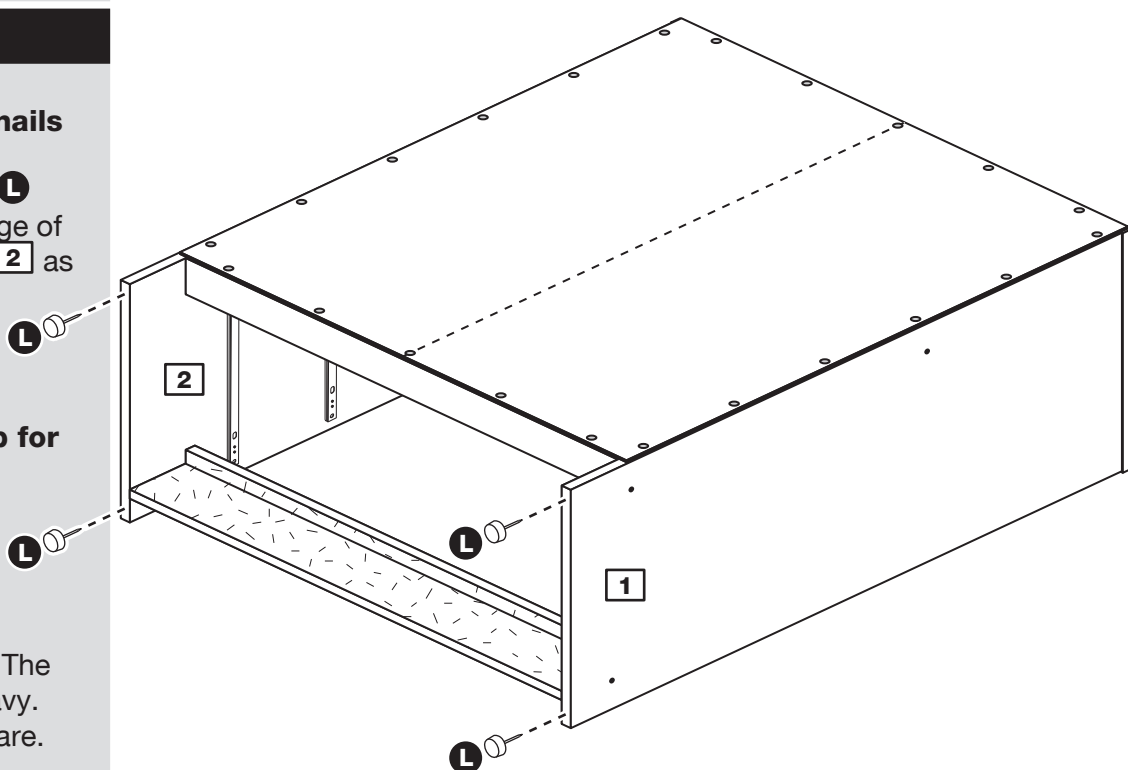


Step 27

Fit the 4 plastic nails

Tap 2 plastic nails **L** into the bottom edge of each side **1** and **2** as shown.

Stand the unit up for the next step.



Warning: The unit is heavy. Lift with care.

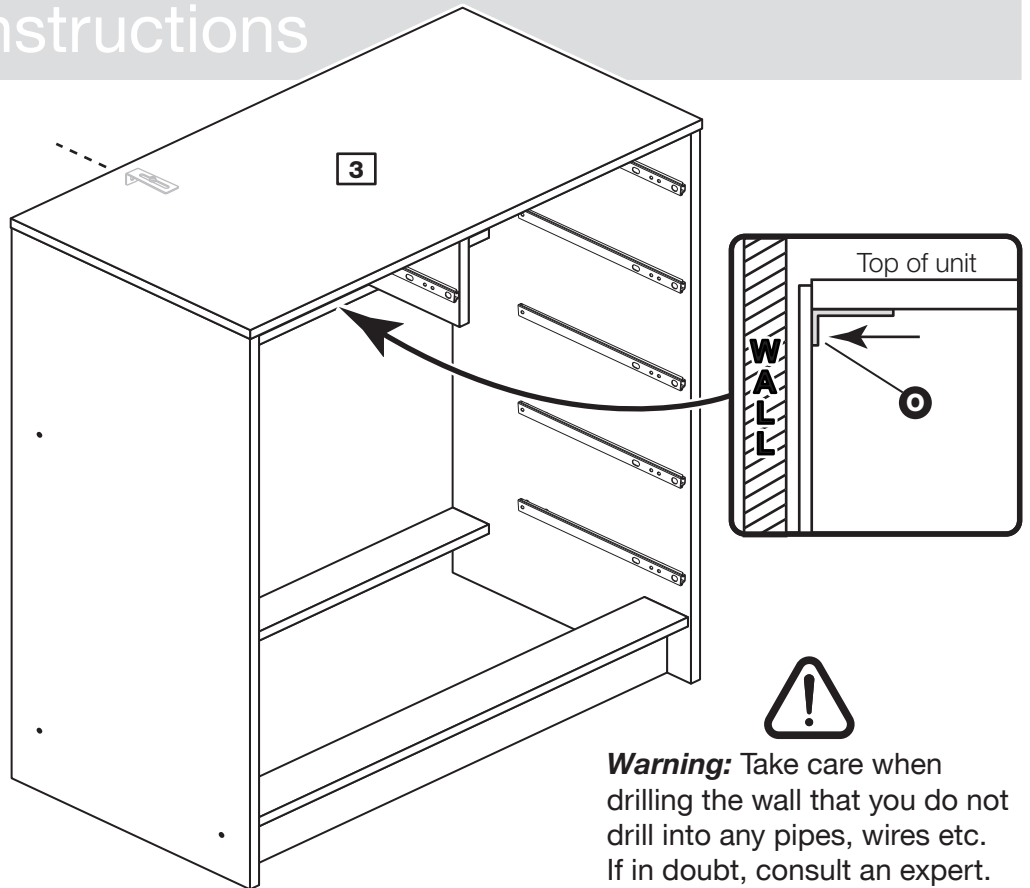
Assembly Instructions

Step 28

Secure unit to a wall

To prevent possible overbalancing we recommend that this unit is secured to a suitable wall by use of the metal bracket **ⓐ** fitted to the top **3**.

Fixings are not supplied as they will need to suit the wall type, and the length of screw will depend on the distance of the back of the unit to the wall.



Step 29

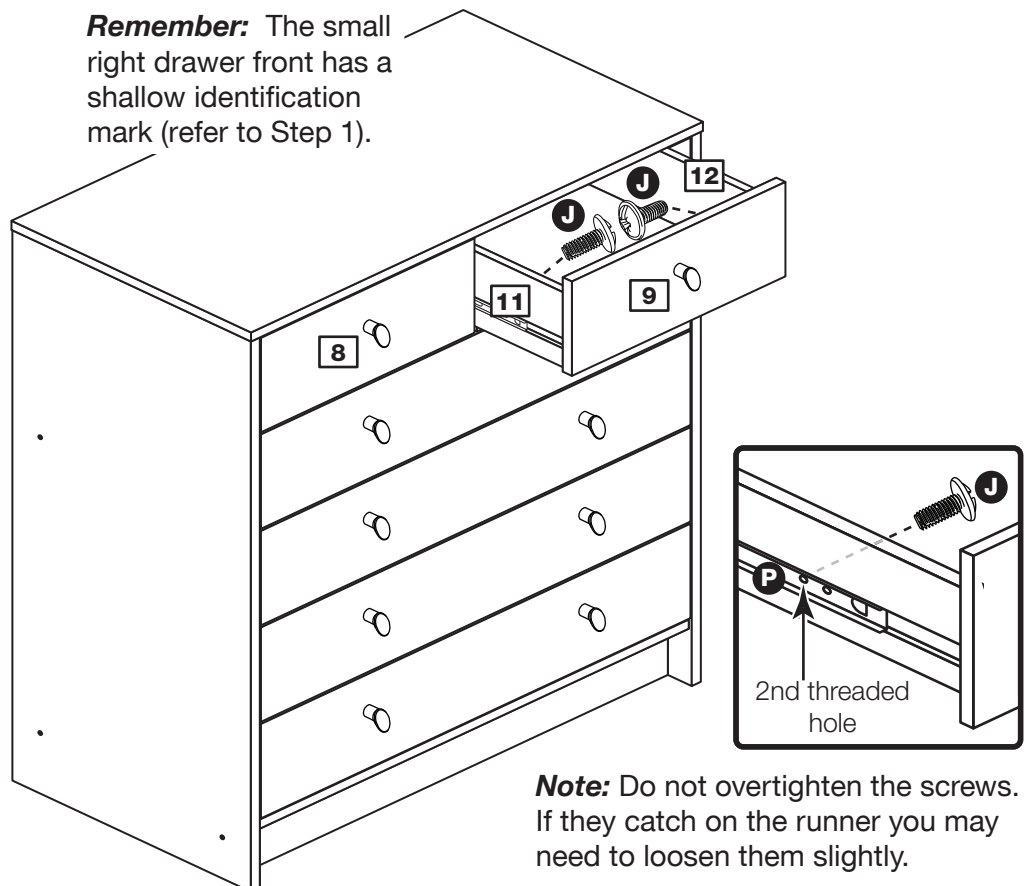
Fit the drawers

Starting with the bottom drawer, slide both the runners **Ⓟ** forward and locate the drawer sides **11** and **12** between them, lining up the holes in the drawer wrap with the 2nd 'threaded' holes in the runners **Ⓟ**.

Working from the inside of the drawer, insert 2 screws **Ⓠ** through the drawer sides and out into the 2nd threaded hole in the runner.

Assembly is complete

Remember: The small right drawer front has a shallow identification mark (refer to Step 1).



If you need help or have damaged or missing parts, call the Customer Helpline: 08456 400800 and quote the reference numbers on the component pages.

Argos Ltd, 489-499 Avebury Boulevard, Central Milton Keynes, MK9 2NW

Malibu - 4+2 Drawer Chest

Assembly Instructions - Please keep for future reference

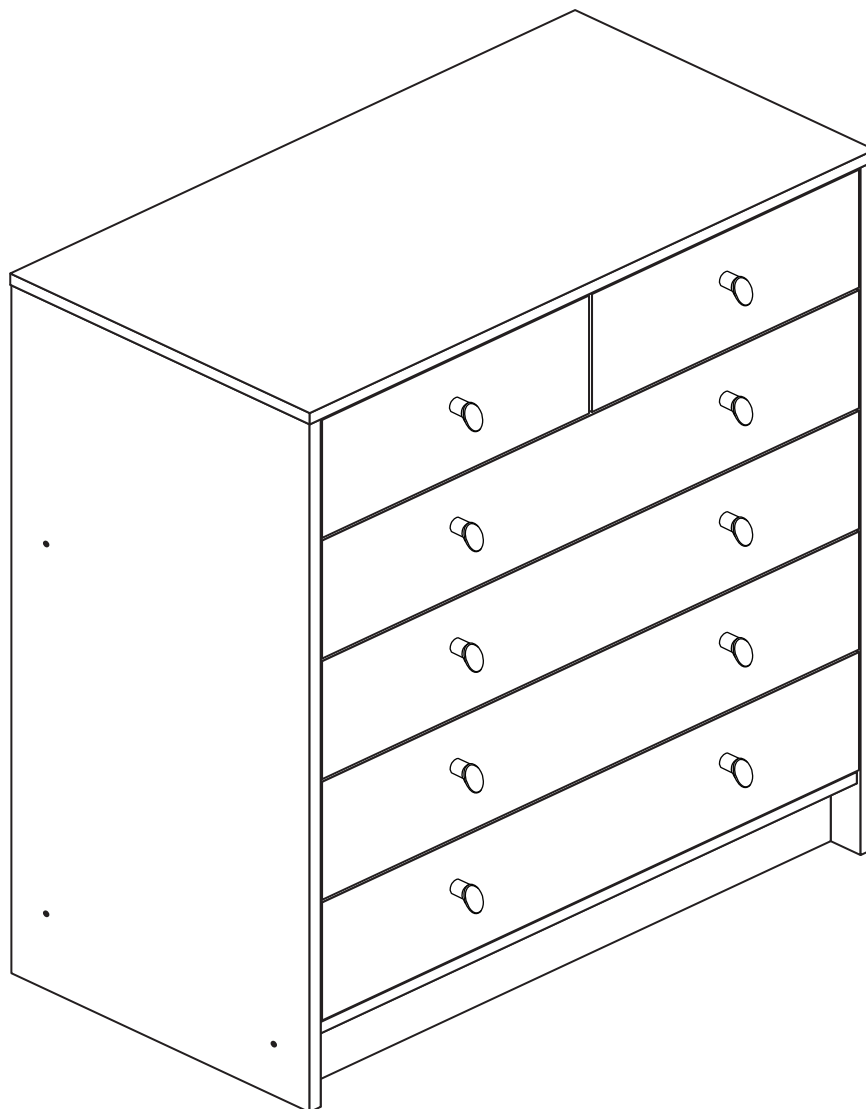
266/1605

244/3971

275/3654

249/4119

275/2875



Dimensions

Width - 75cm

Depth - 40cm

Height - 93cm



**MADE IN
BRITAIN**

Important - Please read these instructions fully before starting assembly

If you need help or have damaged or missing parts, call the **Customer Helpline: 08456 400800**



Safety and Care Advice

Important - Please read these instructions fully before starting assembly

- **Warning:** This unit weighs approximately 31kgs. Please lift with care.

- Check you have all the components and tools listed on pages 2 and 3.

- Remove all fittings from the plastic bags and separate them into their groups.

- Keep children and animals away from the work area, small parts could choke if swallowed.

- Parts of the assembly will be easier with 2 people.

- Make sure you have enough space to layout the parts before starting.

- Do not stand or put weight on the product, this could cause damage.

- Assemble the item as close to its final position (in the same room) as possible.

- Assemble on a soft level surface to avoid damaging the unit or your floor (use opened out unit carton).



- We do not recommend the use of power drill/drivers **for inserting screws**, as this could damage the unit. Only use hand screwdrivers.

- **Safety note:** It is recommended that this unit is secured to a wall using the bracket supplied.

- Dispose of all packaging carefully and responsibly.

Care and maintenance

- Only clean using a damp cloth and mild detergent, do not use bleach or abrasive cleaners.

- From time to time check that there are no loose screws on this unit.

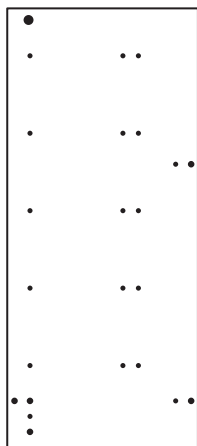
- This product should not be discarded with household waste. Take to your local authority waste disposal centre.

Note: If required the next page can be cut out and used as reference throughout the assembly. Keep this page with these instructions for future reference.

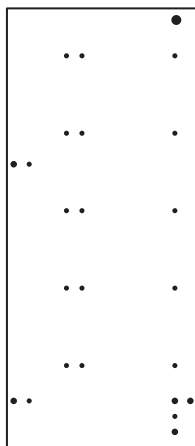
Components - Panels

If you have damaged or missing components, call the **Customer Helpline: 08456 400800** quoting the reference numbers below

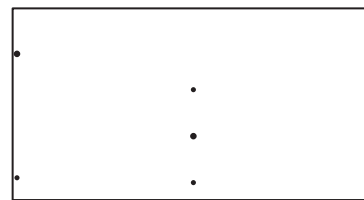
Please check you have all the panels listed below



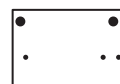
1 Left Side (D2775A)
(911 x 394mm)



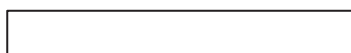
2 Right Side (D2776A)
(911 x 394mm)



3 Top (D2774B)
(747 x 396mm)



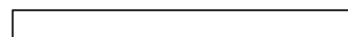
4 Divider (D2777A)
(160 x 238mm)



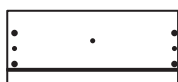
5 Plinth (D2778A)
(714 x 92mm)



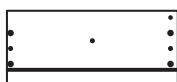
6 Rail (D2780A)
(714 x 72mm)



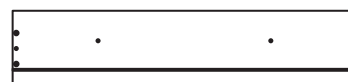
7 Back Rail (D2779A)
(714 x 60mm) x 2



8 Small Left Drawer Front (D2781A)
(353 x 156mm)



9 Small Right Drawer Front (D2782A)
(353 x 156mm)



10 Large Drawer Front (D2783A)
(710 x 156mm) x 4



11 Left Drawer Side (W370-124LH)
(370 x 124mm) x 6



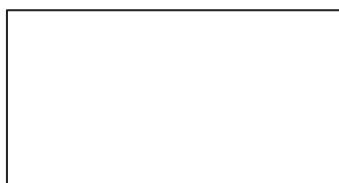
12 Right Drawer Side (W370-124RH)
(370 x 124mm) x 6



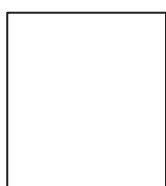
13 Small Drawer Back (W317-124)
(317 x 124mm) x 2



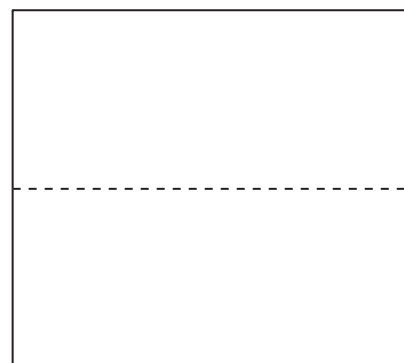
14 Large Drawer Back (W682-124)
(682 x 124mm) x 4



16 Large Drawer Base (T693-367)
(693 x 367mm) x 4



15 Small Drawer Base (T328-367)
(328 x 367mm) x 2



17 Back (X829-738)
(829 x 738mm)

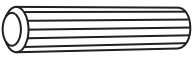
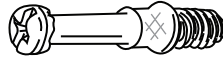

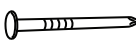







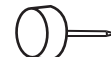


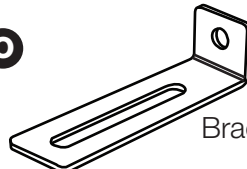



Components - Fittings

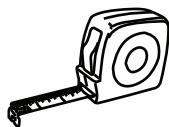
If you have damaged or missing components, call the **Customer Helpline: 08456 400800** quoting the reference numbers below

Please check you have all the fittings listed below

Note: The quantities below are the correct amount to complete the assembly. In some cases more fittings may be supplied than are required.

<p>A </p> <p>Wooden dowel (F22) x 13</p>	<p>B </p> <p>Metal dowel (F901) x 16</p>	<p>C </p> <p>Knock-in Peg (F171GY) x 24</p>
<p>D </p> <p>Nail (F51) x 22</p>	<p>E </p> <p>Large locking nut (F900) x 4</p>	<p>F </p> <p>Small locking nut (F3) x 12</p>
<p>G </p> <p>40mm Screw (F910) x 6</p>	<p>H </p> <p>25mm Screw (F50) x 10</p>	<p>I </p> <p>13mm Screw (F79) x 1</p>
<p>J </p> <p>9mm Screw (F74) x 12</p>	<p>K </p> <p>9mm Screw (F73) x 24</p>	<p>L </p> <p>Plastic Nail (F91) x 4</p>
<p>M </p> <p>Wedgex (F639) x 20</p>	<p>N </p> <p>Handle (F631) x 10</p>	<p>O </p> <p>Bracket (F327) x 1</p>
<p>P </p> <p>Drawer runner (F1004) x 12</p>		

Tools required



Rule



Cross-head screwdriver



Scissors



Hammer

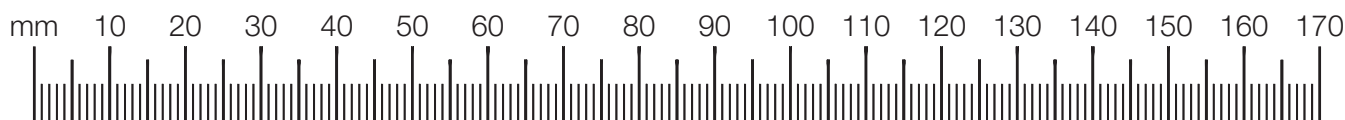


Eye protection (when using a hammer or drill)



Electric drill (do not use for fitting screws)

Ruler - Use this ruler to help correctly identify the screws



Assembly Instructions

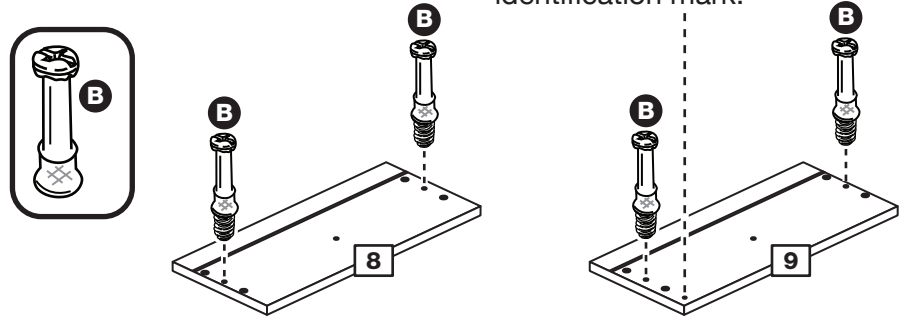
If you have damaged or missing components, call the **Customer Helpline: 08456 400800** quoting the reference numbers below

Step 1

Prepare the 2 small drawer fronts

Screw 2 metal dowels **B** into the small left drawer front **8** and the small right drawer front **9**.

Note: Tighten the metal dowels up fully against the panels.



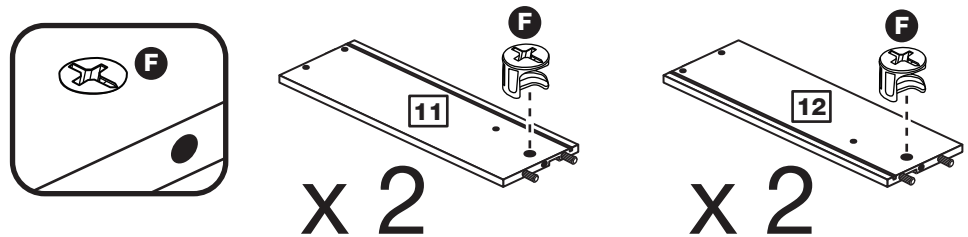
Note: The small right drawer front has a shallow identification mark.

Step 2

Prepare 2 pairs of drawer sides

Insert a small locking nut **F** into the hole shown on the left drawer side **11** and the right drawer side **12**.

Note: The arrow on the locking nut **must** point towards the hole in the edge of the panel.



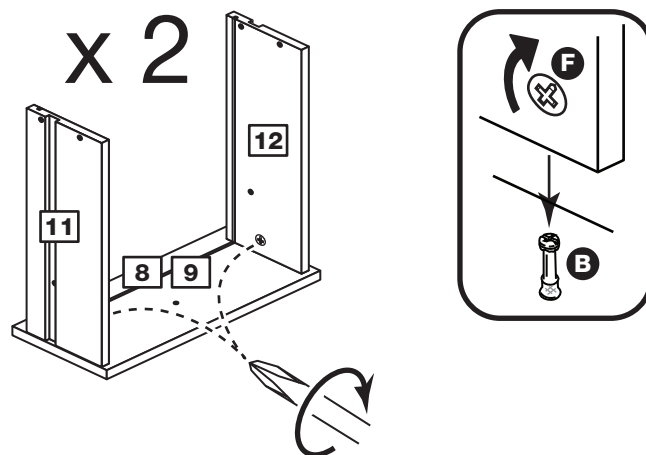
Step 3

Attach the drawer sides to the small drawer fronts

Push the left drawer sides **11** and right drawer sides **12** onto the back of the 2 small drawer fronts **8** and **9**.

Turn the small locking nuts **F** on the left drawer side **11** and right drawer side **12**.

Note: Turn the locking nuts **F** clockwise to secure panels - more than 1/2 a turn.

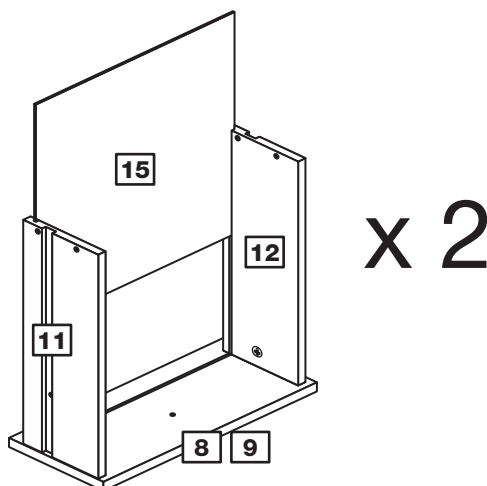


Assembly Instructions

Step 4

Fit the small drawer base

Slide the small drawer base **15** down the grooves in the drawer sides **11** and **12** and down into the groove in the small drawer fronts **8** and **9**.

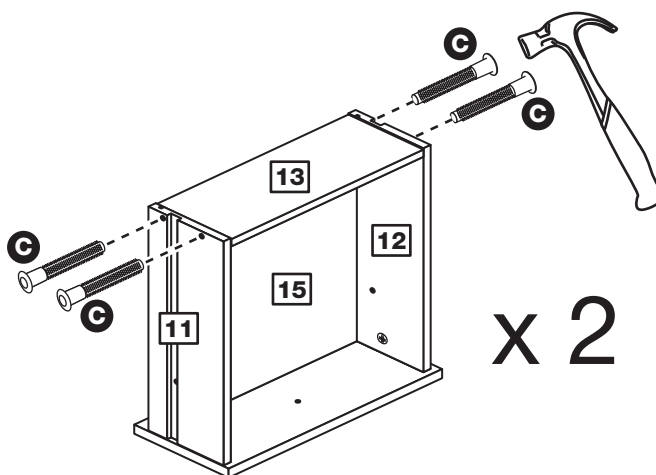


Step 5

Fit the small drawer back

Fit the small drawer back **13** between the drawer sides **11** and **12**. Make sure that the small drawer base **15** fits into the groove in the small drawer back **13**.

Hold the small drawer back **13** in position and tap the knock-in pegs **C** through the holes in the drawer sides **11** and **12**.

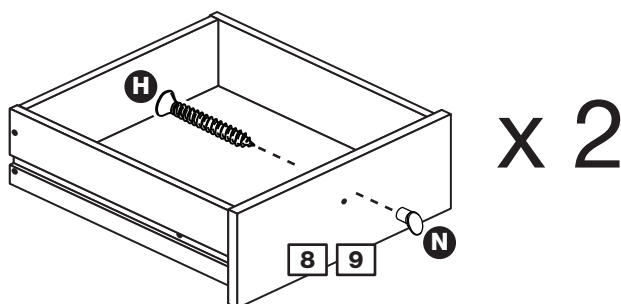


Step 6

Attach the handles

Attach a handle **N** to each small drawer front **8** and **9** using screw **H**.

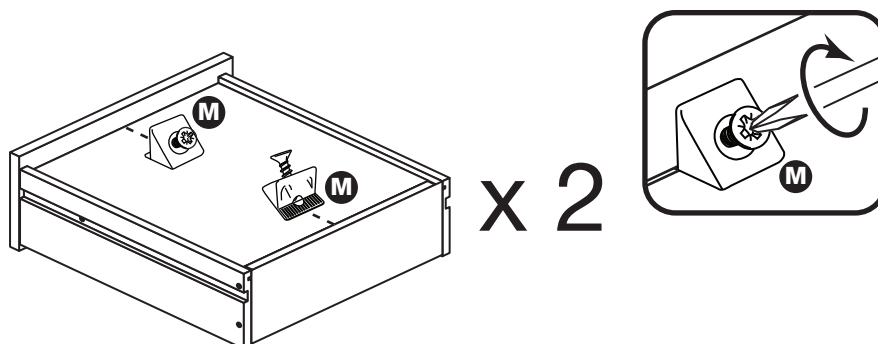
Note: Do not overtighten the screw.



Step 7

Fit the wedgexes

Turn the drawer assemblies over and slide 2 wedgexes **M** into the front and back grooves, as shown, and tighten up the screws.



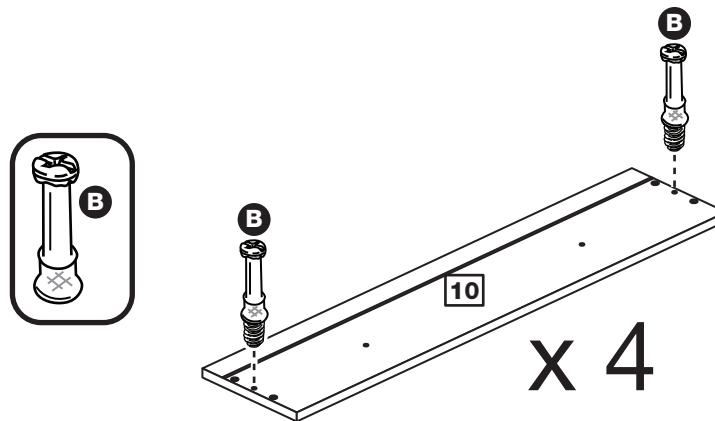
Assembly Instructions

Step 8

Prepare the large drawer fronts

Screw 2 metal dowels **B** into each of the large drawer fronts **10**.

Note: Tighten the metal dowels up fully against the panels.



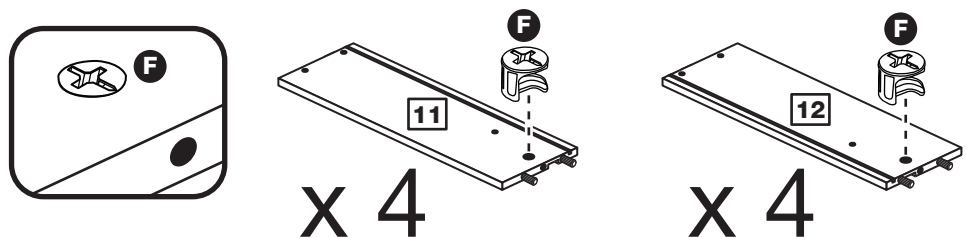
Step 9

Prepare 4 pairs of the drawer sides

Insert a small locking nut **F** into the hole shown on the left drawer side **11** and the right drawer side **12**.

Note: The arrow on the locking nut **must** point towards the hole in the edge of the panel.

Note: Due to the manufacturing process, the holes for the locking nut can be on either surface of the drawer sides.



Step 10

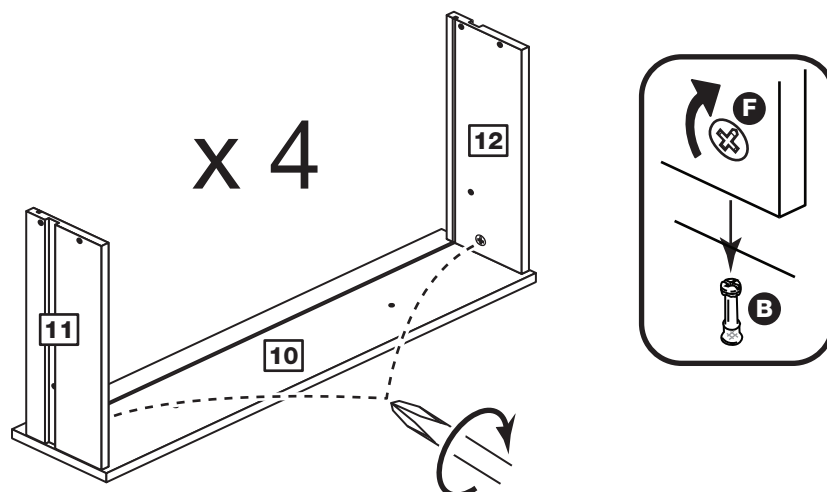
Attach the drawer sides to the large drawer fronts

Push the left drawer sides **11** and right drawer sides **12** onto the back of the 4 large drawer fronts **10**.

Turn the small locking nuts **F** on the left drawer side **11** and right drawer side **12**.

Note: Turn the locking nuts **F** clockwise to secure panels - more than 1/2 a turn.

Note: The locking nuts can be on either surface of the drawer sides. Make sure that the small groove is on the inside, as shown.

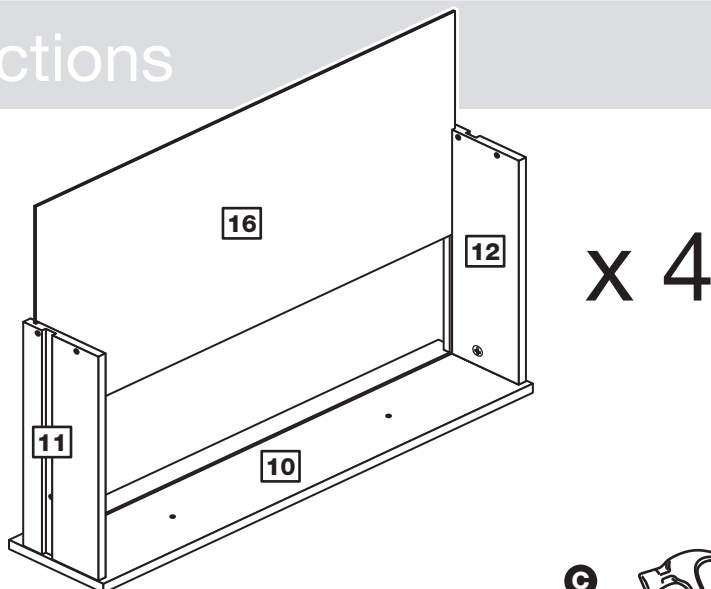


Assembly Instructions

Step 11

Fit the large drawer base

Slide the large drawer base **16** down the grooves in the drawer sides **11** and **12** and down into the groove in the large drawer fronts **10**.



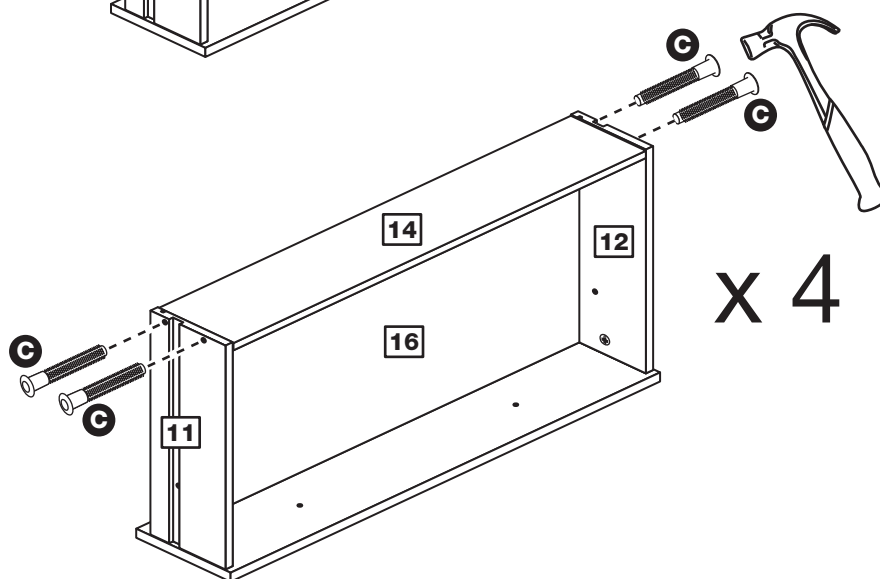
Step 12

Fit the large drawer back

Fit the large drawer back **14** between the drawer sides **11** and **12**.

Make sure that the large drawer base **16** fits into the groove in the large drawer back **14**.

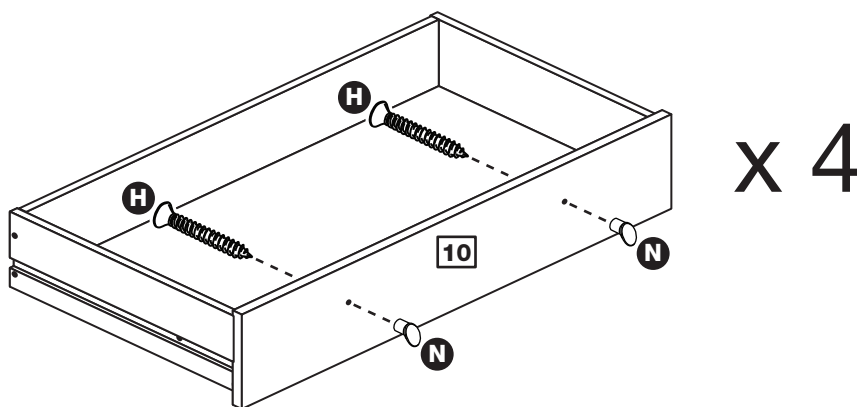
Hold the large drawer back **14** in position and tap the knock-in pegs **C** through the holes in the drawer sides **11** and **12**.



Step 13

Attach the handles

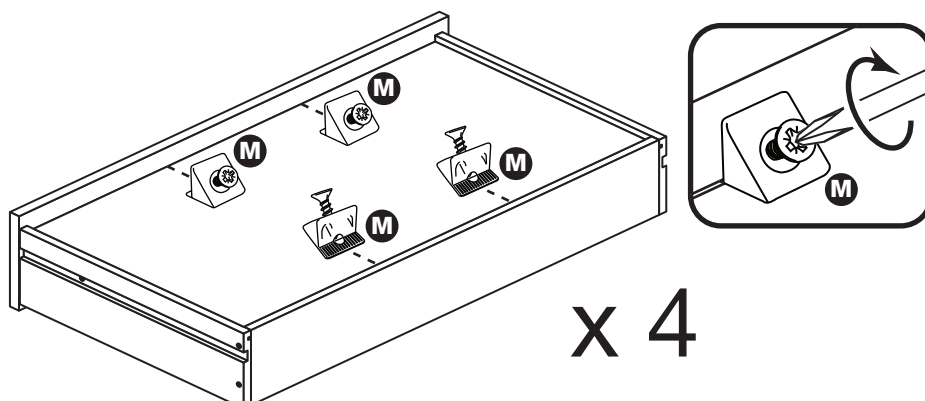
Attach 2 handles **N** to each of the large drawer fronts **10** using 2 screws **H**.



Step 14

Fit the wedgifixes

Turn the large drawer assemblies over and slide 4 wedgifixes **M** into the front and back grooves, as shown, and tighten up the screws.



Assembly Instructions

Step 15

Prepare the left side

a: Place 5 runners **P** on the left side **1** as shown. Slide back the top of runner and use the 2nd hole from the front to fit the 1st screw **K**.

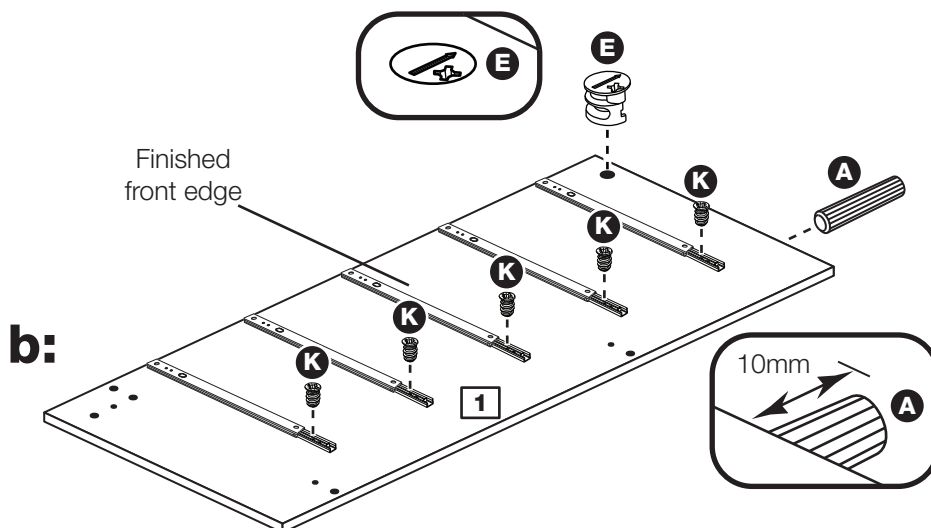
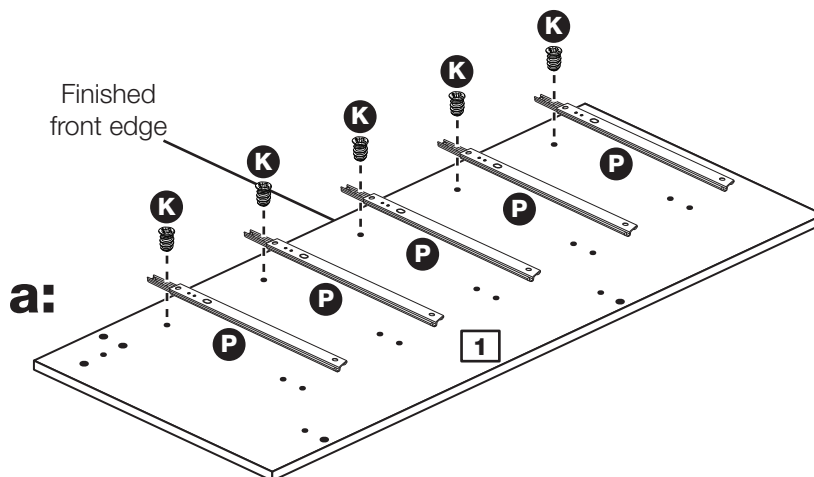
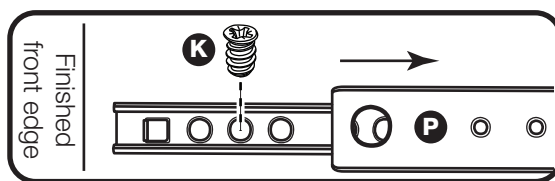
b: Slide the runner **P** back the other way and fit the 2nd screw **K** into the corresponding hole in the left side **1**.

Insert a large locking nut **E** into the left side **1**.

Note: The arrow on the locking nuts **must** point towards the hole in the edge of the panel.

Tap a wooden dowel **A** into the left side **1**.

Note: Wooden dowels **must not** stick out from the edge by more than 10mm or they may damage other panels.



Assembly Instructions

Step 16

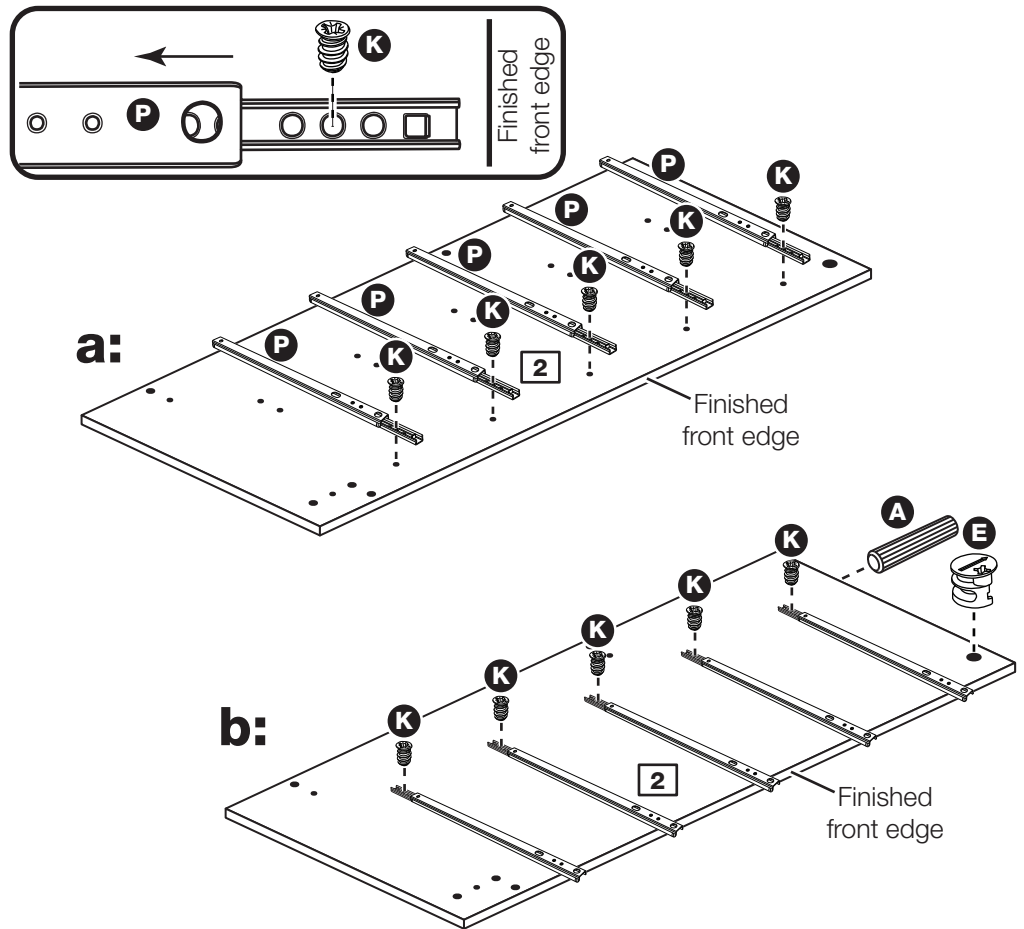
Prepare the right side

a: Place 5 runners **P** on the right side **2** as shown. Slide back the top of runner and use the 2nd hole from the front to fit the 1st screw **K**.

b: Slide the runner **P** back the other way and fit the 2nd screw **K** into the corresponding hole in the right side **2**.

Insert a large locking nut **E** into the right side **2**.

Tap a wooden dowel **A** into the right side **2**.



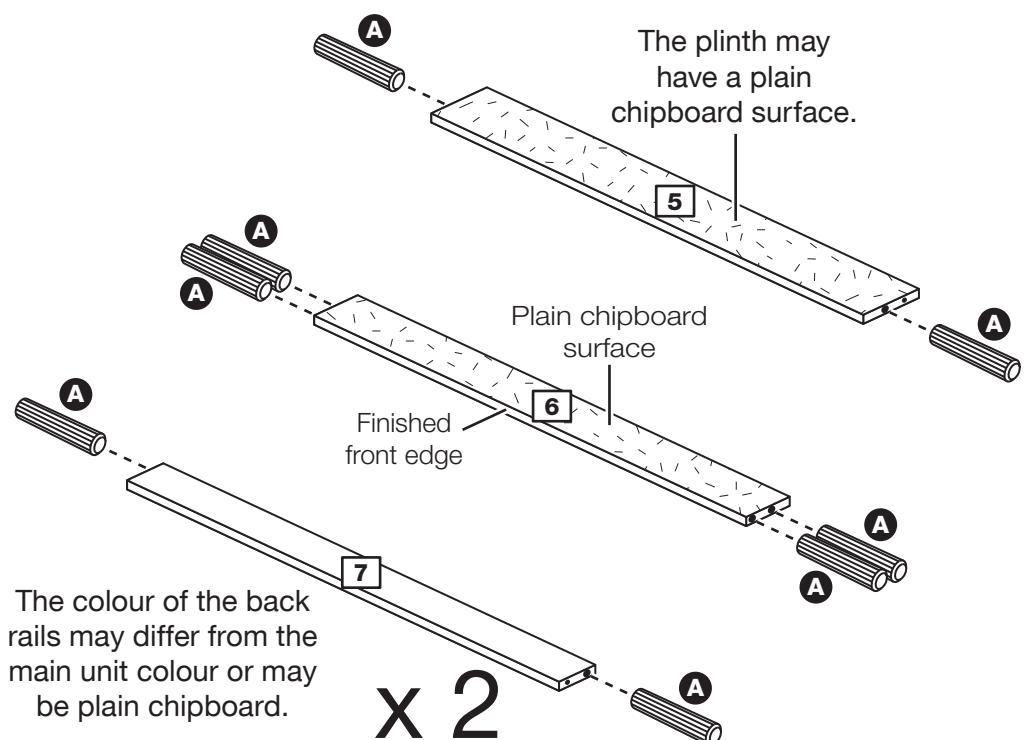
Step 17

Prepare the plinth, rail and 2 back rails

Tap 2 wooden dowels **A** into the plinth **5**.

Tap 4 wooden dowels **A** into the rail **6**.

Tap 2 wooden dowels **A** into each of the 2 back rails **7**.

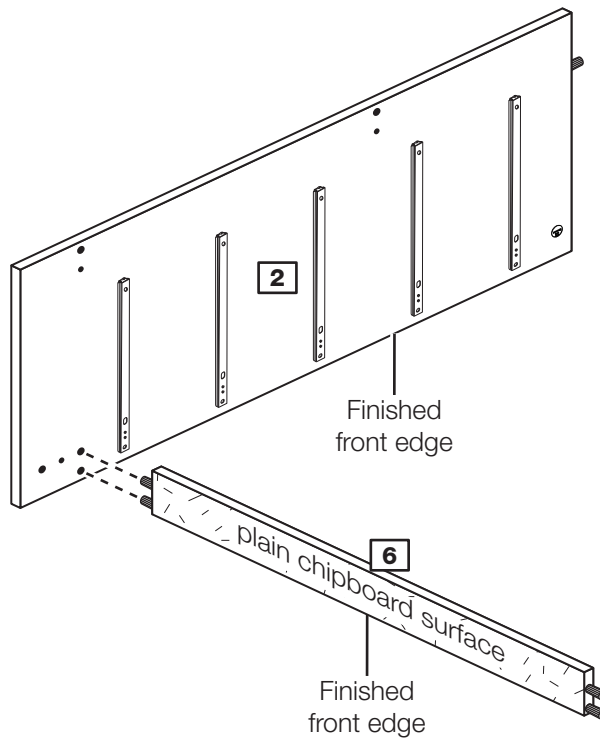


Assembly Instructions

Step 18

Fit the rail to the right side

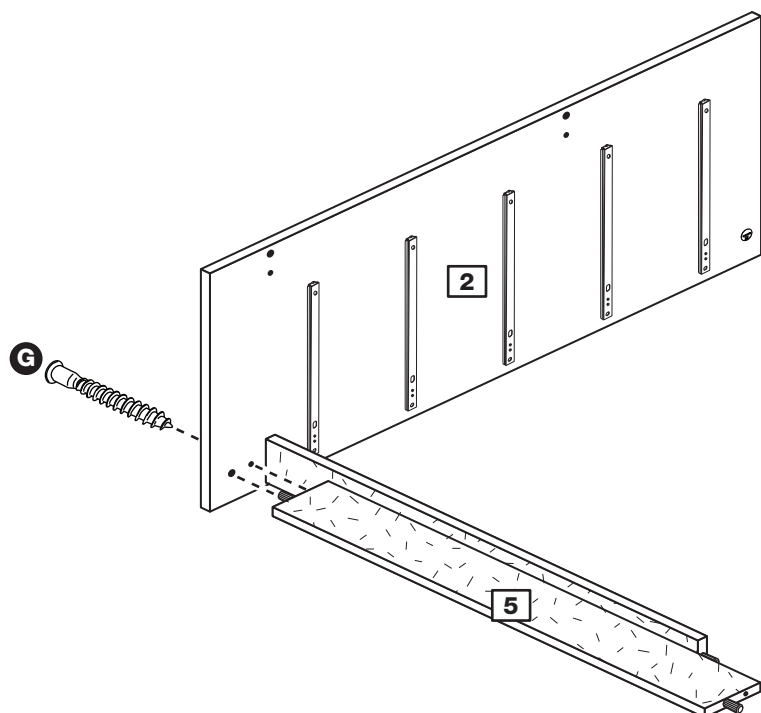
Push the rail **6** onto the right side **2** as shown .



Step 19

Fit the plinth to the right side

Push the plinth **5** onto the right side **2** and secure it with screw **G**.

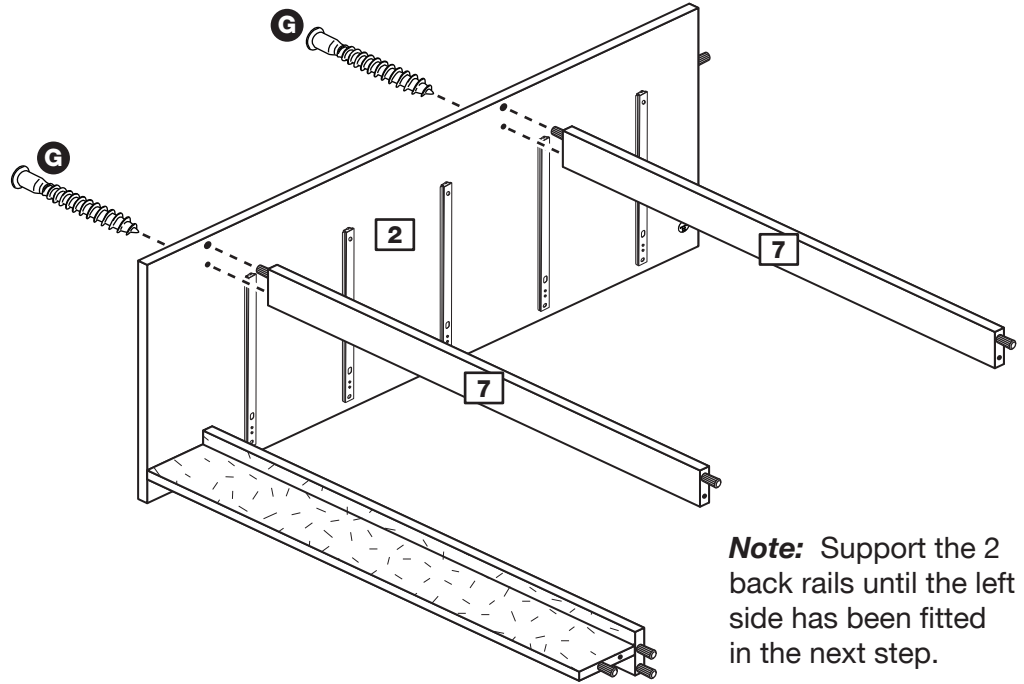


Assembly Instructions

Step 20

Fit the back rails to the right side

Push the 2 back rails **7** onto the right side **2** and secure them with screws **G**.

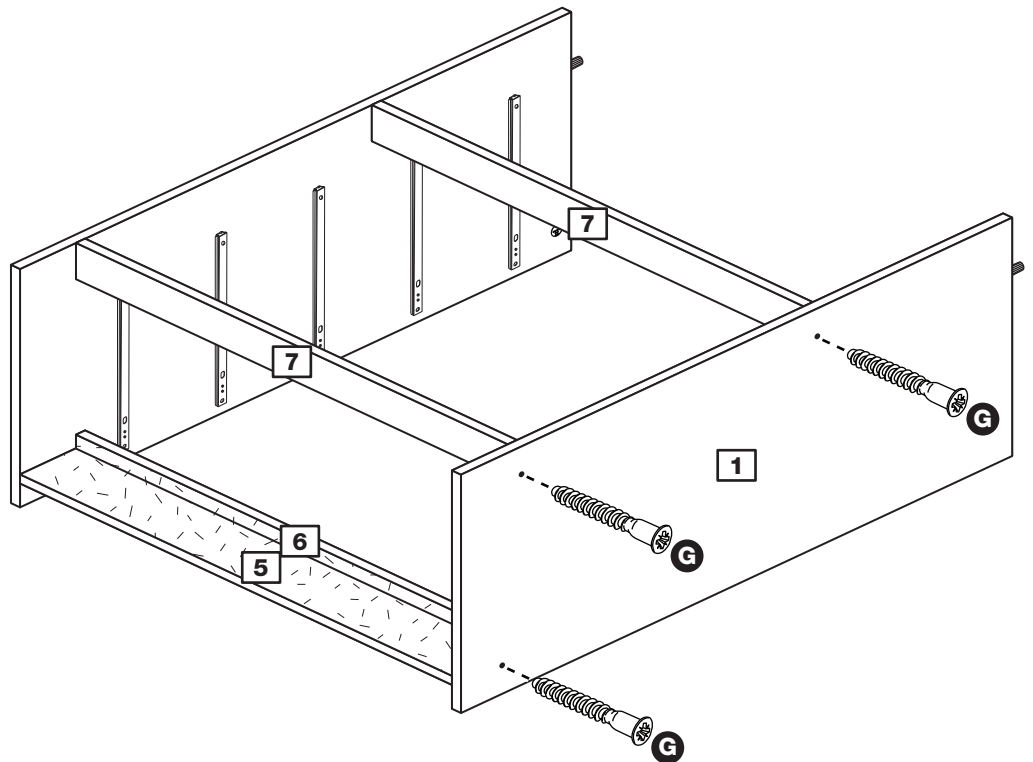


Note: Support the 2 back rails until the left side has been fitted in the next step.

Step 21

Fit the left side

Push the left side **1** onto the assembly and secure it with screws **G**.



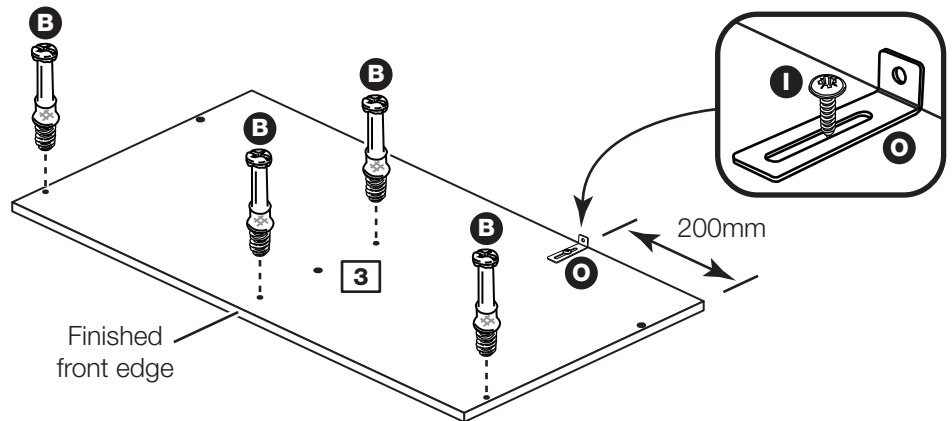
Assembly Instructions

Step 22

Prepare the top

Screw 4 metal dowels **B** into the top **3**.

Fix a bracket **O** flush to the back edge of the top **3** and 200mm in from the end using screw **I**.



Step 23

Prepare the divider

a: Place a runner **P** on the divider **4** as shown. Slide back the top of runner and use the 2nd hole from the front to fit the 1st screw **K**.

b: Slide the runner **P** back the other way and fit the 2nd screw **K** into the corresponding hole in the divider **4**.

Insert 2 large locking nuts **E** into the divider **4**.

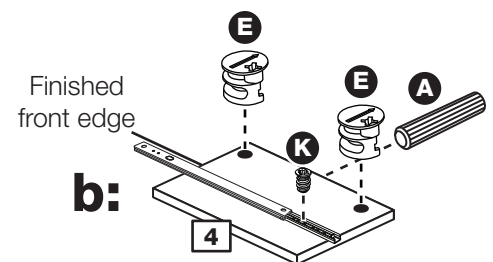
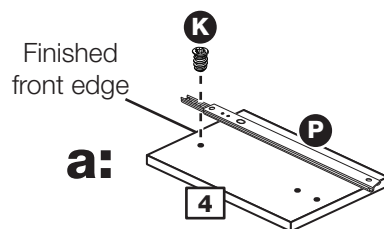
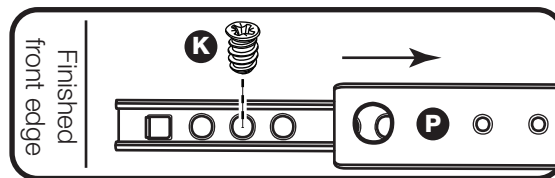
Tap a wooden dowel **A** into the divider **4**.

Turn the divider over

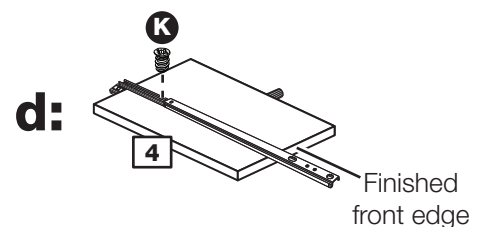
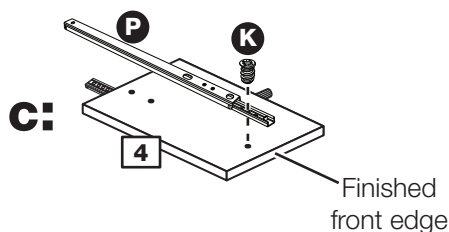
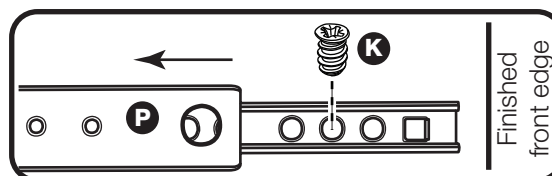
c: Place a runner **P** on the divider **4** as shown. Slide back the top of runner and use the 2nd hole from the front to fit the 1st screw **K**.

d: Slide the runner **P** back the other way and fit the 2nd screw **K** into the corresponding hole in the divider **4**.

Note: Due to the manufacturing process, the 2 holes for the large locking nut can be on either surface of the divider.



Turn the divider over



Assembly Instructions

Step 24

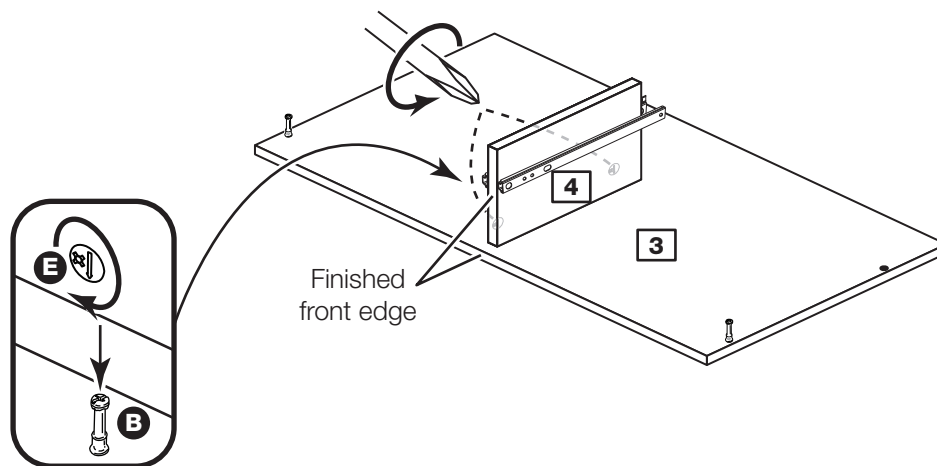
Fit the divider to the top

Push the divider **4** onto the top **3**.

Use a screwdriver to tighten the 2 large locking nuts **E** fitted to the divider **4**.

Note: Turn the large locking nuts **E** as far as they will go - more than 1/2 a turn.

Remember: The large locking nuts can be on either surface of the divider.

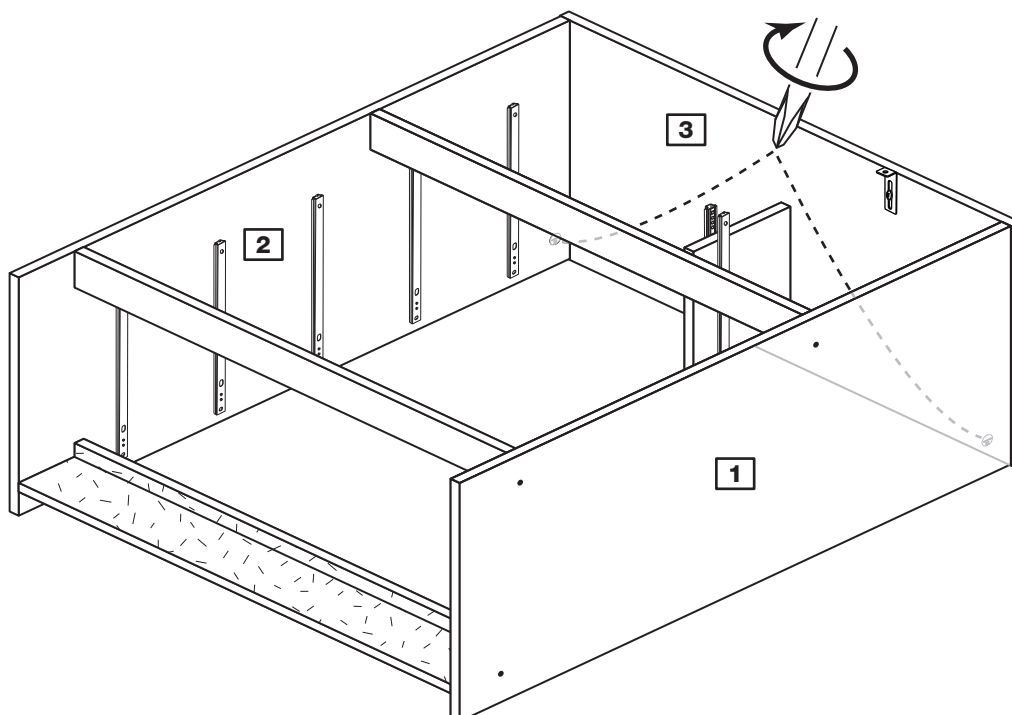


Step 25

Fit the top

Push the top **3** onto the sides **1** and **2**.

Use a screwdriver to tighten the 2 large locking nuts **E** fitted to the sides **1** and **2**.



Assembly Instructions

Step 26

Fit the back

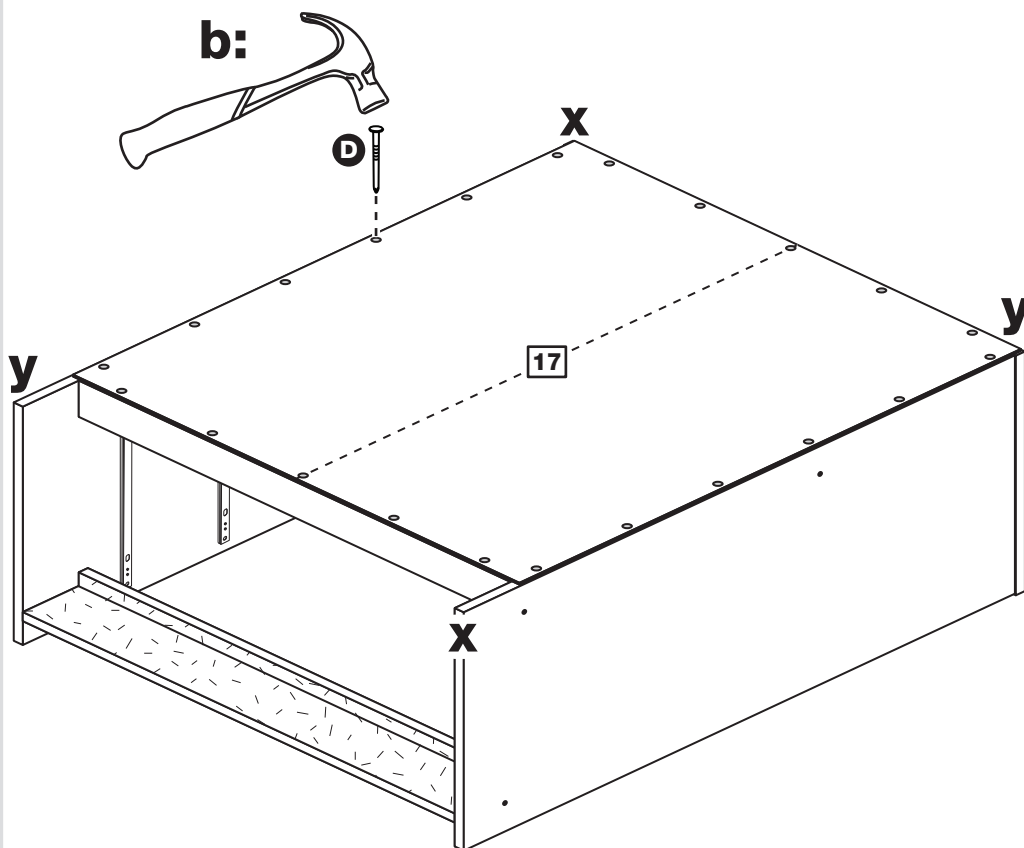
a: Square up the unit by making sure that measurement **x** to **x** equals **y** to **y**.

b: Place the back **17** down onto the unit, as shown.

Nail **D** around the outside edges of the back **17**.

Note: Nails should be spaced about 150mm apart.

a: The measurement from top corner X to bottom corner X must be equal to the measurement from top corner Y to bottom corner Y

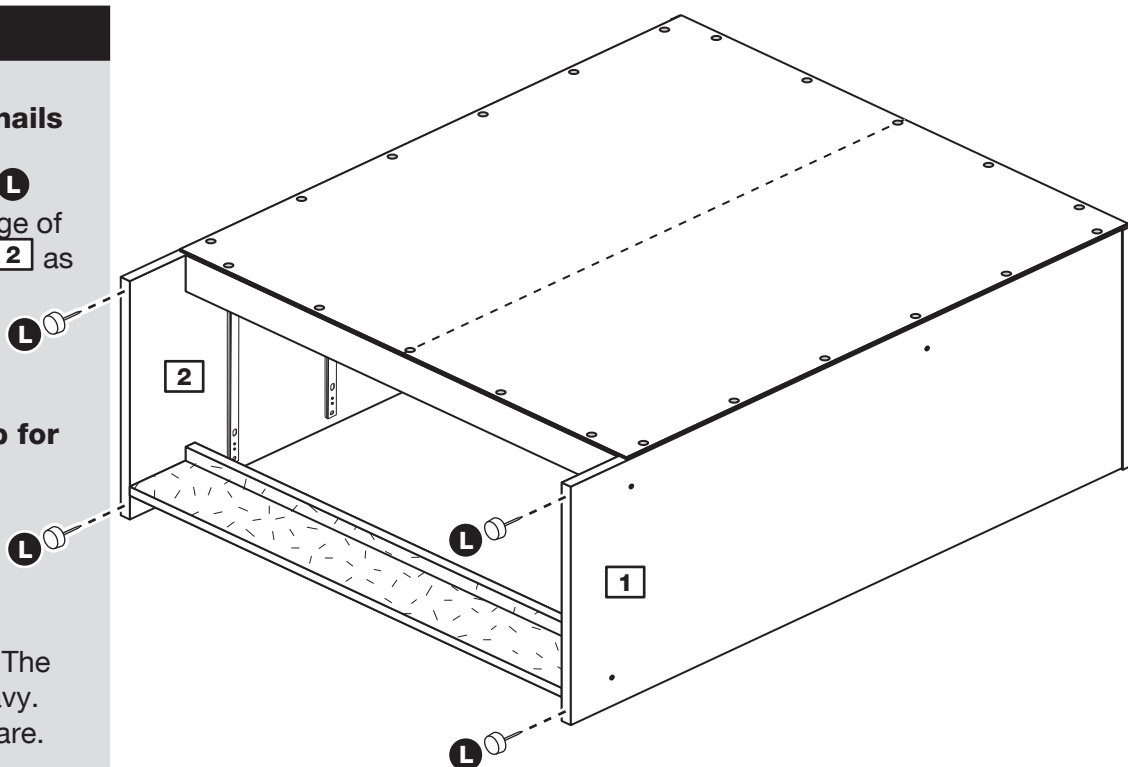


Step 27

Fit the 4 plastic nails

Tap 2 plastic nails **L** into the bottom edge of each side **1** and **2** as shown.

Stand the unit up for the next step.



Warning: The unit is heavy. Lift with care.

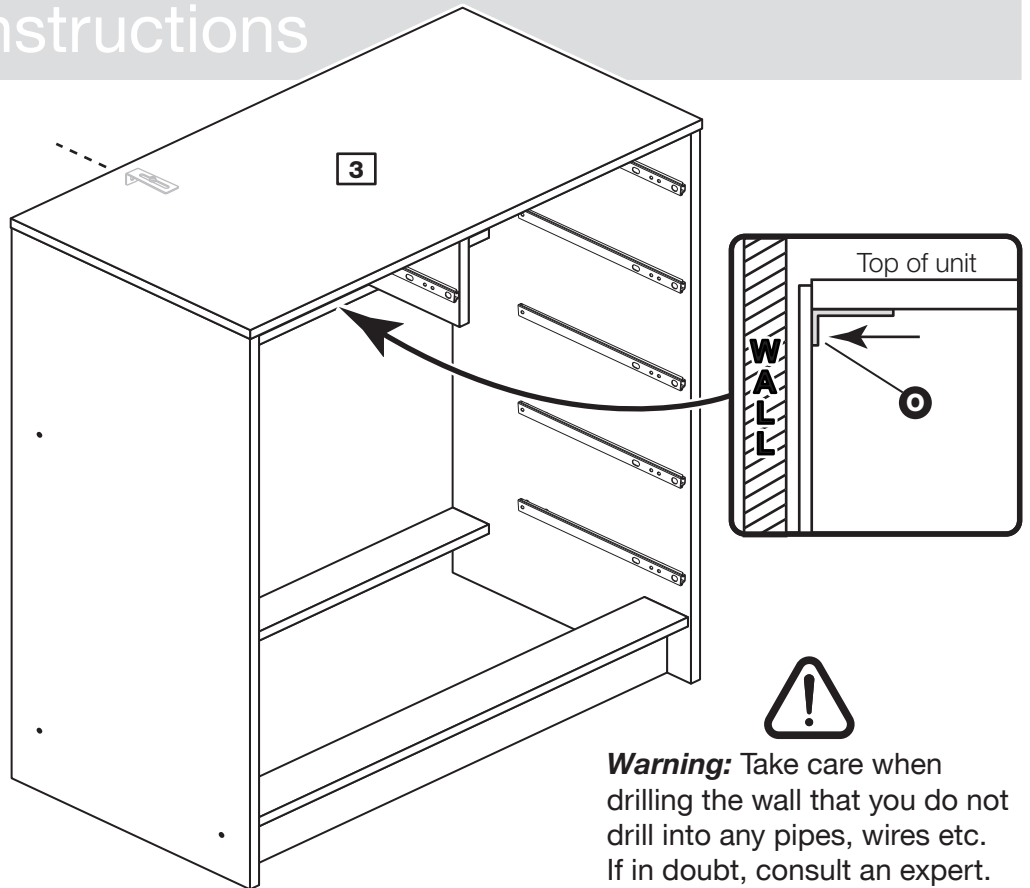
Assembly Instructions

Step 28

Secure unit to a wall

To prevent possible overbalancing we recommend that this unit is secured to a suitable wall by use of the metal bracket **ⓐ** fitted to the top **3**.

Fixings are not supplied as they will need to suit the wall type, and the length of screw will depend on the distance of the back of the unit to the wall.



Step 29

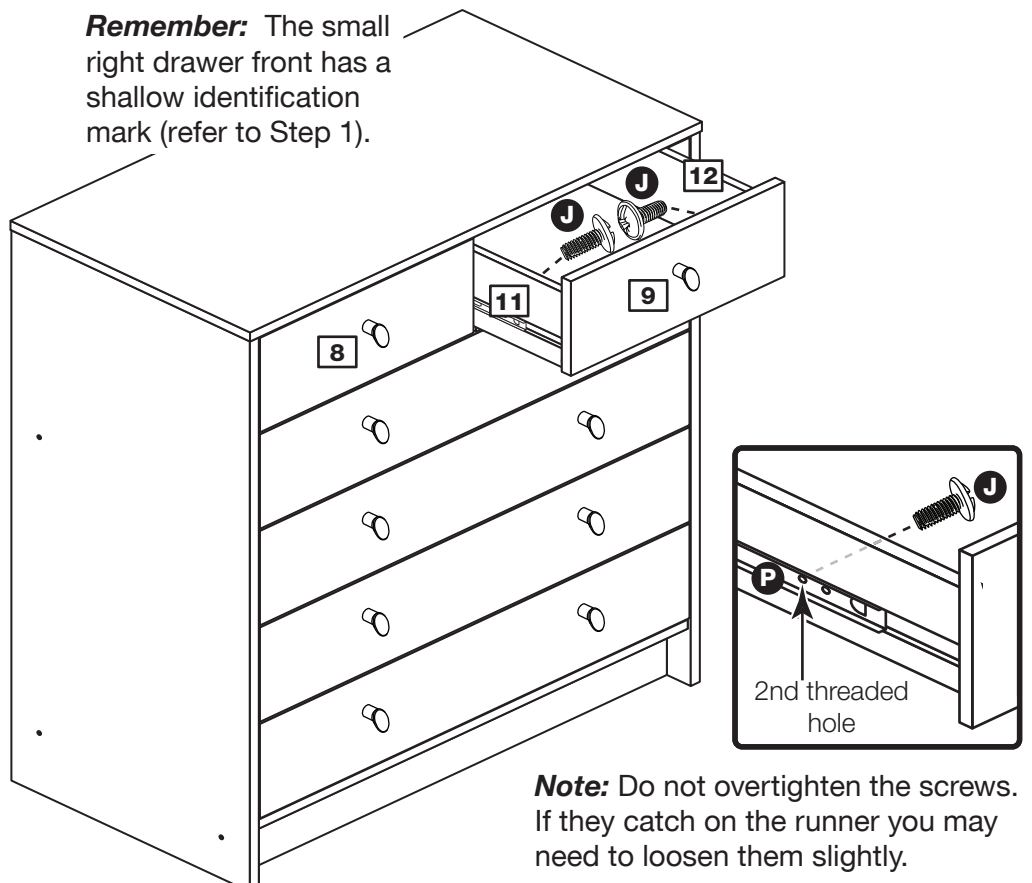
Fit the drawers

Starting with the bottom drawer, slide both the runners **Ⓟ** forward and locate the drawer sides **11** and **12** between them, lining up the holes in the drawer wrap with the 2nd 'threaded' holes in the runners **Ⓟ**.

Working from the inside of the drawer, insert 2 screws **Ⓠ** through the drawer sides and out into the 2nd threaded hole in the runner.

Assembly is complete

Remember: The small right drawer front has a shallow identification mark (refer to Step 1).



If you need help or have damaged or missing parts, call the Customer Helpline: 08456 400800 and quote the reference numbers on the component pages.

Argos Ltd, 489-499 Avebury Boulevard, Central Milton Keynes, MK9 2NW

Malibu - 4+2 Drawer Chest

Assembly Instructions - Please keep for future reference

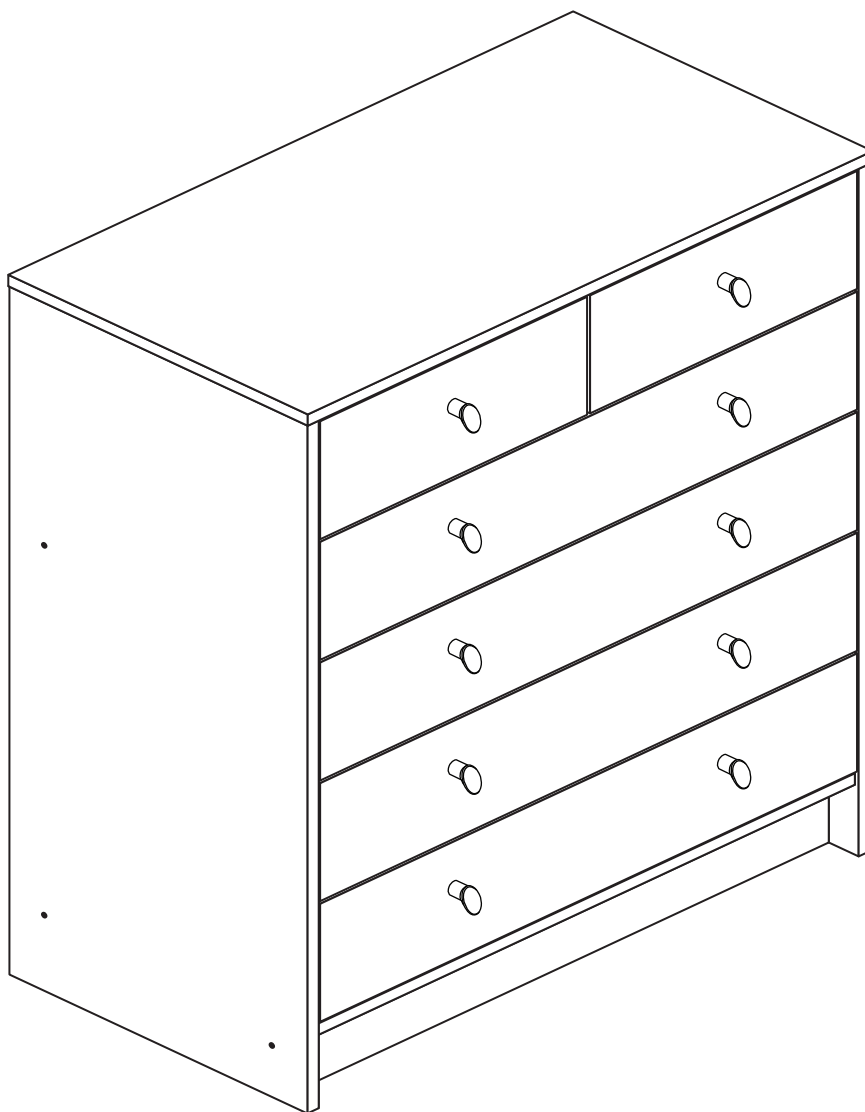
266/1605

244/3971

275/3654

249/4119

275/2875



Dimensions

Width - 75cm

Depth - 40cm

Height - 93cm



**MADE IN
BRITAIN**

Important - Please read these instructions fully before starting assembly

If you need help or have damaged or missing parts, call the **Customer Helpline: 03456 400800**



Safety and Care Advice

Important - Please read these instructions fully before starting assembly

- **Warning:** This unit weighs approximately 31kgs. Please lift with care.

- Check you have all the components and tools listed on pages 2 and 3.

- Remove all fittings from the plastic bags and separate them into their groups.

- Keep children and animals away from the work area, small parts could choke if swallowed.

- Parts of the assembly will be easier with 2 people.

- Make sure you have enough space to layout the parts before starting.

- Do not stand or put weight on the product, this could cause damage.

- Assemble the item as close to its final position (in the same room) as possible.

- Assemble on a soft level surface to avoid damaging the unit or your floor (use opened out unit carton).



- We do not recommend the use of power drill/drivers **for inserting screws**, as this could damage the unit. Only use hand screwdrivers.

- **Safety note:** It is recommended that this unit is secured to a wall using the overbalance protector kit supplied or, an alternative fixing method of your choice.

- Dispose of all packaging carefully and responsibly.

Care and maintenance

- Only clean using a damp cloth and mild detergent, do not use bleach or abrasive cleaners.

- From time to time check that there are no loose screws on this unit.

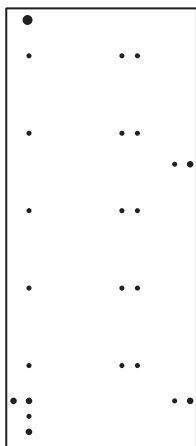
- This product should not be discarded with household waste. Take to your local authority waste disposal centre.

Note: If required the next page can be cut out and used as reference throughout the assembly. Keep this page with these instructions for future reference.

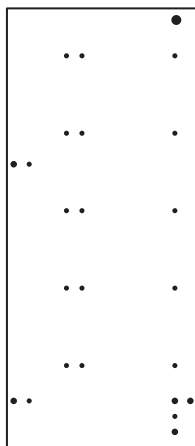
Components - Panels

If you have damaged or missing components, call the
Customer Helpline: 03456 400800 quoting the reference
 numbers below

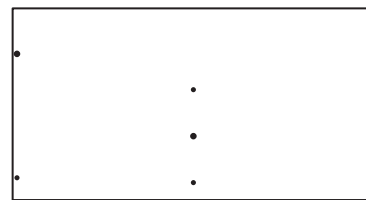
Please check you have all the panels listed below



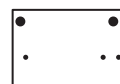
1 Left Side (D2775A)
(911 x 394mm)



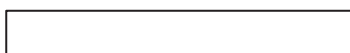
2 Right Side (D2776A)
(911 x 394mm)



3 Top (D2774B)
(747 x 396mm)



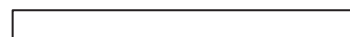
4 Divider (D2777A)
(160 x 238mm)



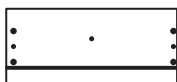
5 Plinth (D2778A)
(714 x 92mm)



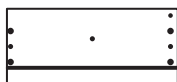
6 Rail (D2780A)
(714 x 72mm)



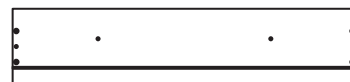
7 Back Rail (D2779A)
(714 x 60mm) x 2



8 Small Left Drawer
Front (D2781A)
(353 x 156mm)



9 Small Right Drawer
Front (D2782A)
(353 x 156mm)



10 Large Drawer Front (D2783A)
(710 x 156mm) x 4



11 Left Drawer Side (W370-124LH)
(370 x 124mm) x 6



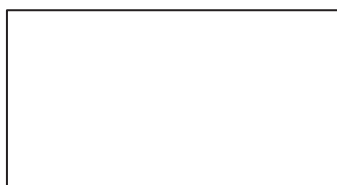
12 Right Drawer Side (W370-124RH)
(370 x 124mm) x 6



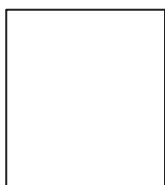
13 Small Drawer Back (W317-124)
(317 x 124mm) x 2



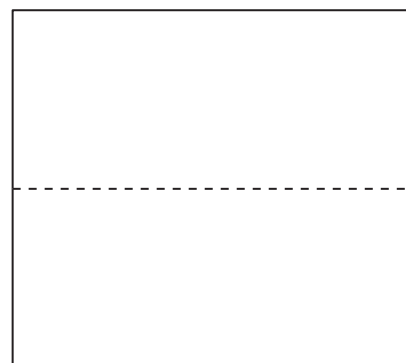
14 Large Drawer Back (W682-124)
(682 x 124mm) x 4



16 Large Drawer Base (T693-367)
(693 x 367mm) x 4



15 Small Drawer Base (T328-367)
(328 x 367mm) x 2



17 Back (X829-738)
(829 x 738mm)

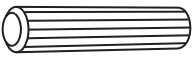
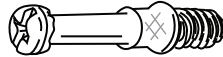

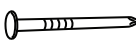







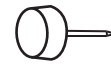

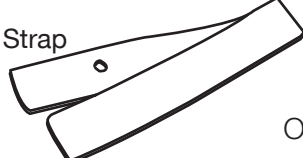





Components - Fittings

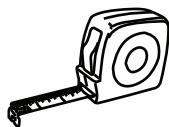
If you have damaged or missing components, call the **Customer Helpline: 03456 400800** quoting the reference numbers below

Please check you have all the fittings listed below

Note: The quantities below are the correct amount to complete the assembly. In some cases more fittings may be supplied than are required.

<p>A </p> <p>Wooden dowel (F22) x 13</p>	<p>B </p> <p>Metal dowel (F901) x 16</p>	<p>C </p> <p>Knock-in Peg (F171GY) x 24</p>
<p>D </p> <p>Nail (F51) x 22</p>	<p>E </p> <p>Large locking nut (F900) x 4</p>	<p>F </p> <p>Small locking nut (F3) x 12</p>
<p>G </p> <p>40mm Screw (F910) x 6</p>	<p>H </p> <p>25mm Screw (F50) x 10</p>	<p>I </p> <p>Handle (F631) x 10</p>
<p>J </p> <p>9mm Screw (F74) x 12</p>	<p>K </p> <p>9mm Screw (F73) x 24</p>	<p>L </p> <p>Plastic Nail (F91) x 4</p>
<p>M </p> <p>Wedgifix (F639) x 20</p>	<p>N   Screw  Washer x 2</p> <p>Overbalance protector kit (F269) x 1</p>	
<p>O </p> <p>Drawer runner (F1004) x 12</p>		

Tools required



Rule



Cross-head screwdriver



Scissors



Hammer

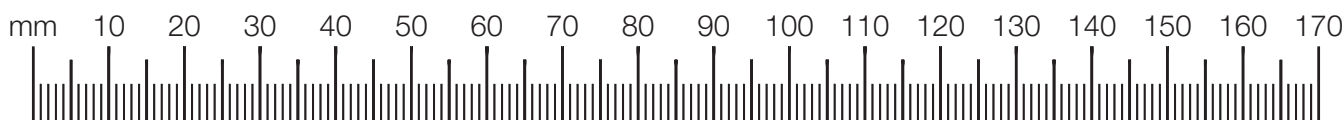


Eye protection (when using a hammer or drill)



Electric drill (do not use for fitting screws)

Ruler - Use this ruler to help correctly identify the screws



Assembly Instructions

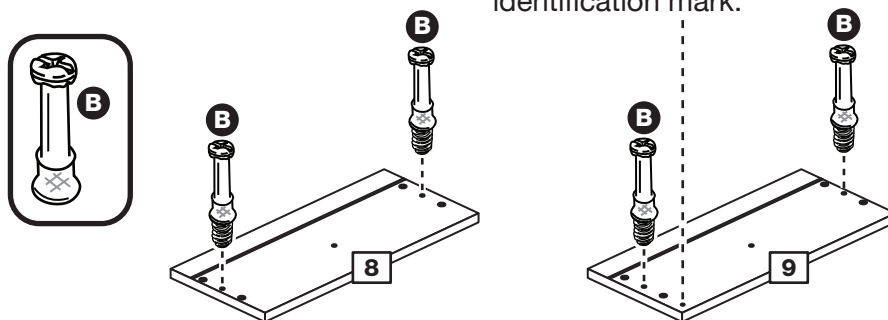
If you have damaged or missing components, call the **Customer Helpline: 03456 400800** quoting the reference numbers below

Step 1

Prepare the 2 small drawer fronts

Screw 2 metal dowels **B** into the small left drawer front **8** and the small right drawer front **9**.

Note: Tighten the metal dowels up fully against the panels.



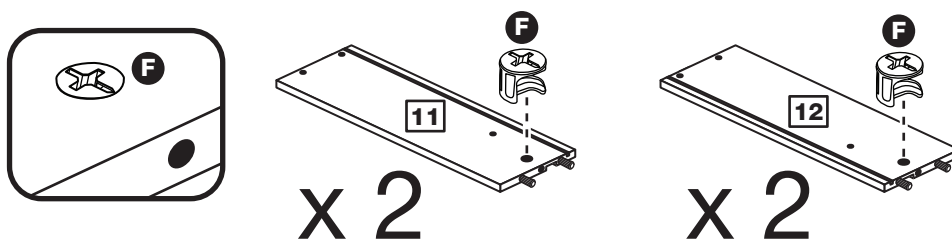
Note: The small right drawer front has a shallow identification mark.

Step 2

Prepare 2 pairs of drawer sides

Insert a small locking nut **F** into the hole shown on the left drawer side **11** and the right drawer side **12**.

Note: The arrow on the locking nut **must** point towards the hole in the edge of the panel.



Step 3

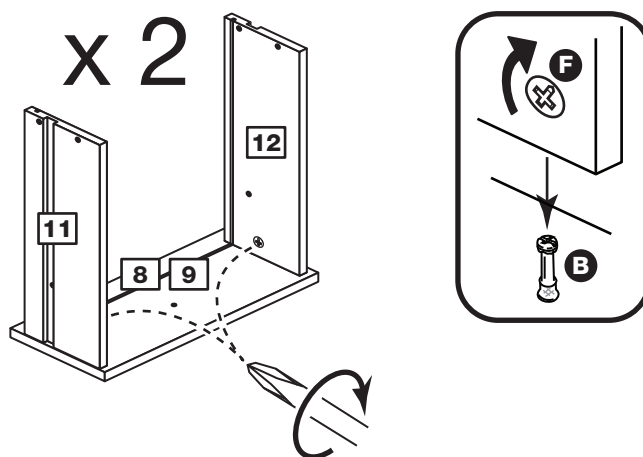
Attach the drawer sides to the small drawer fronts

Push the left drawer sides **11** and right drawer sides **12** onto the back of the 2 small drawer fronts **8** and **9**.

Turn the small locking nuts **F** on the left drawer side **11** and right drawer side **12**.

Note: Turn the locking nuts **F** clockwise to secure panels - more than 1/2 a turn.

Note: The locking nuts can be on either surface of the drawer sides. Make sure that the small groove is on the inside, as shown.

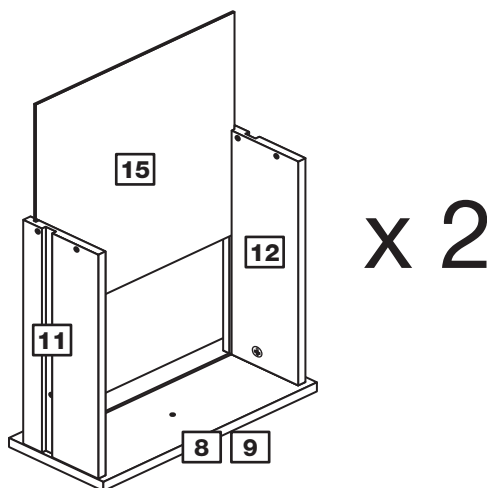


Assembly Instructions

Step 4

Fit the small drawer base

Slide the small drawer base **15** down the grooves in the drawer sides **11** and **12** and down into the groove in the small drawer fronts **8** and **9**.

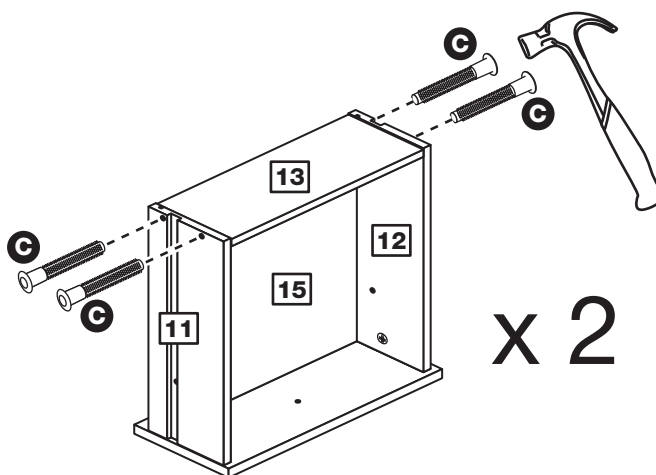


Step 5

Fit the small drawer back

Fit the small drawer back **13** between the drawer sides **11** and **12**. Make sure that the small drawer base **15** fits into the groove in the small drawer back **13**.

Hold the small drawer back **13** in position and tap the knock-in pegs **C** through the holes in the drawer sides **11** and **12**.

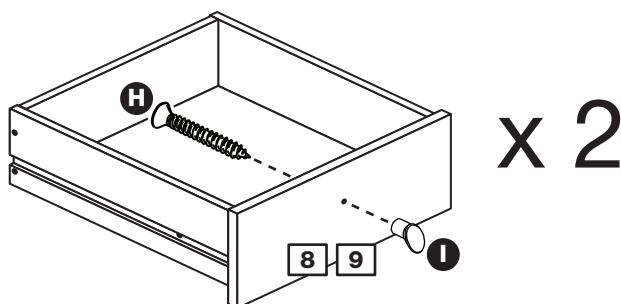


Step 6

Attach the handles

Attach a handle **I** to each small drawer front **8** and **9** using screw **H**.

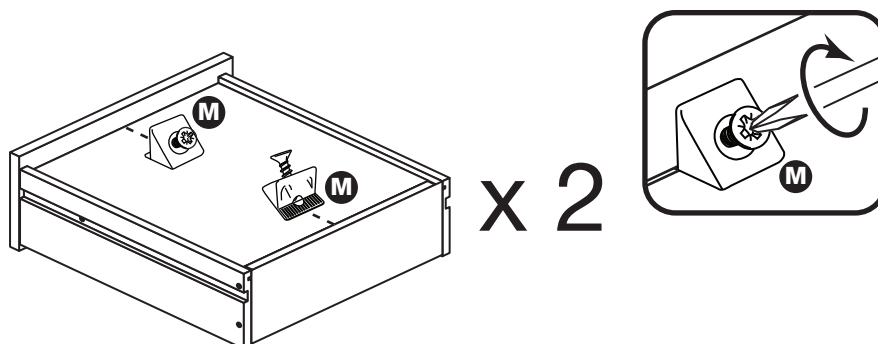
Note: Do not overtighten the screw.



Step 7

Fit the wedgexes

Turn the drawer assemblies over and slide 2 wedgexes **M** into the front and back grooves, as shown, and tighten up the screws.



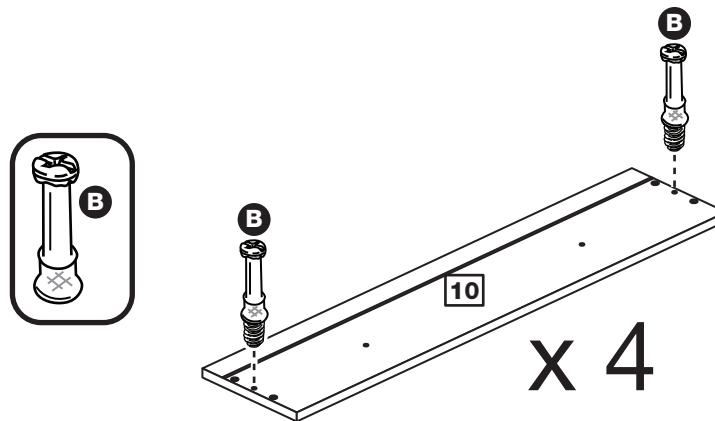
Assembly Instructions

Step 8

Prepare the large drawer fronts

Screw 2 metal dowels **B** into each of the large drawer fronts **10**.

Note: Tighten the metal dowels up fully against the panels.

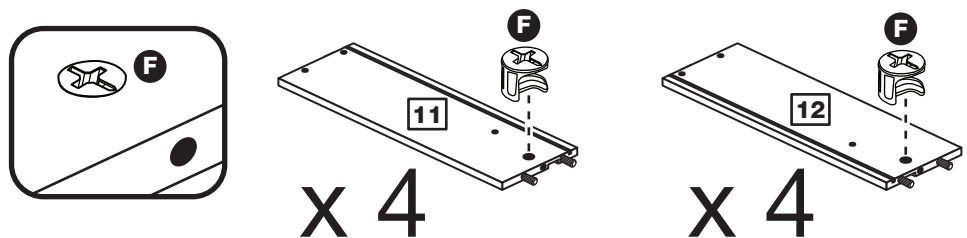


Step 9

Prepare 4 pairs of the drawer sides

Insert a small locking nut **F** into the hole shown on the left drawer side **11** and the right drawer side **12**.

Note: The arrow on the locking nut **must** point towards the hole in the edge of the panel.



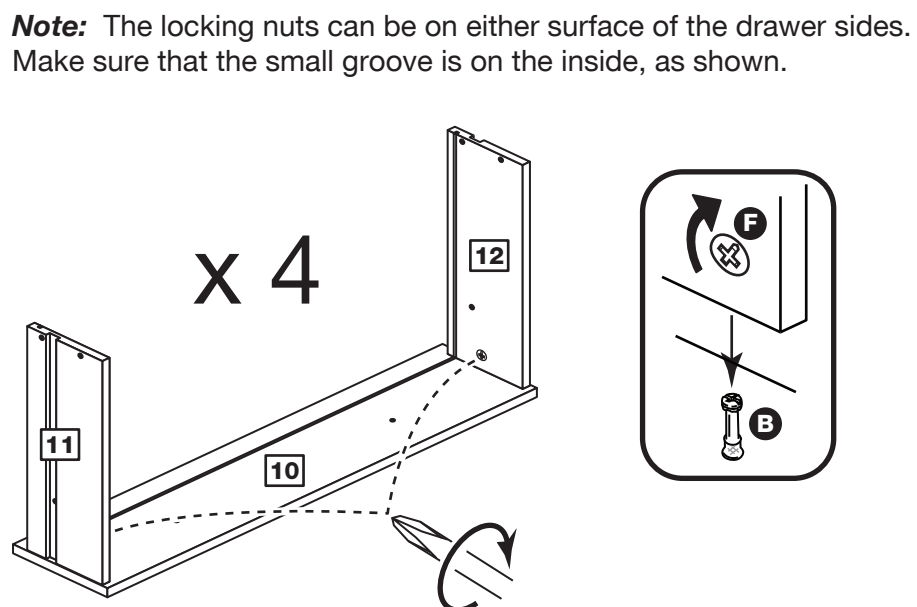
Step 10

Attach the drawer sides to the large drawer fronts

Push the left drawer sides **11** and right drawer sides **12** onto the back of the 4 large drawer fronts **10**.

Turn the small locking nuts **F** on the left drawer side **11** and right drawer side **12**.

Note: Turn the locking nuts **F** clockwise to secure panels - more than 1/2 a turn.

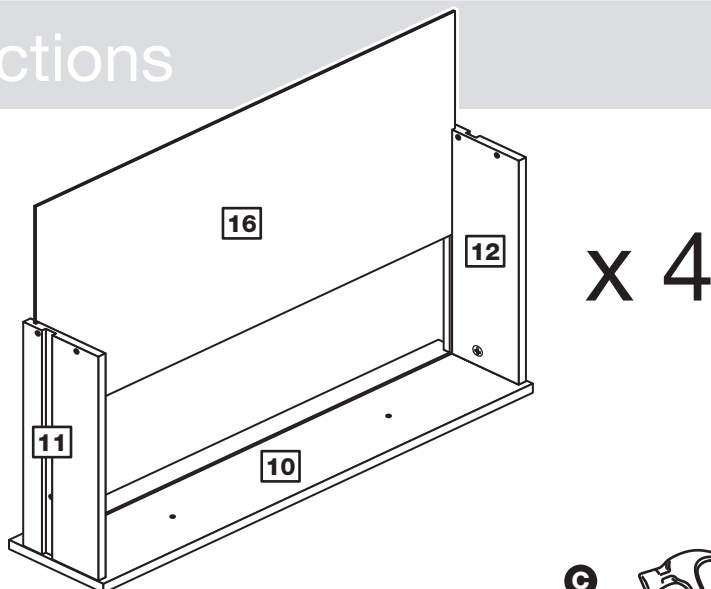


Assembly Instructions

Step 11

Fit the large drawer base

Slide the large drawer base **16** down the grooves in the drawer sides **11** and **12** and down into the groove in the large drawer fronts **10**.



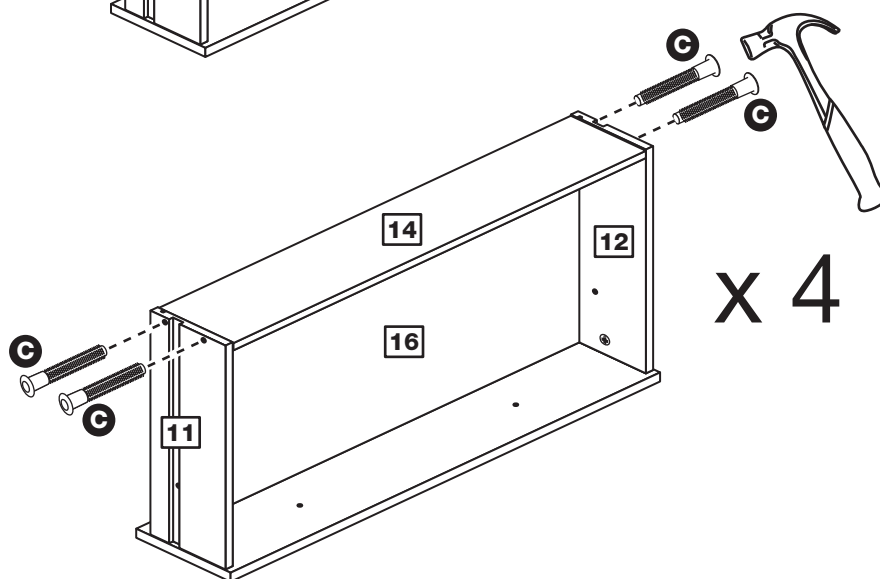
Step 12

Fit the large drawer back

Fit the large drawer back **14** between the drawer sides **11** and **12**.

Make sure that the large drawer base **16** fits into the groove in the large drawer back **14**.

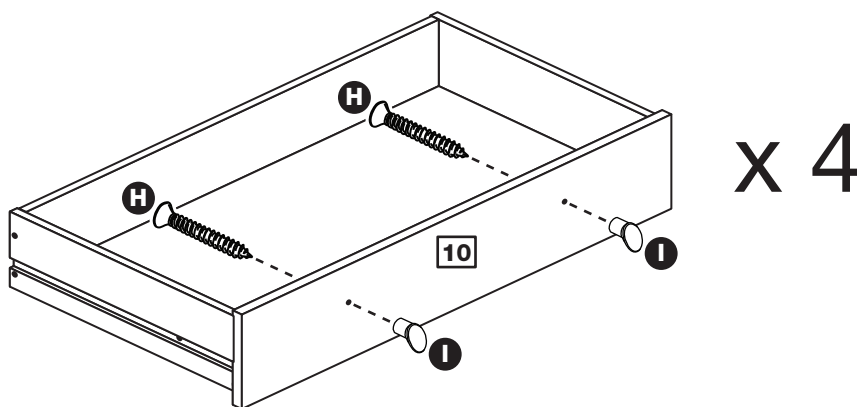
Hold the large drawer back **14** in position and tap the knock-in pegs **C** through the holes in the drawer sides **11** and **12**.



Step 13

Attach the handles

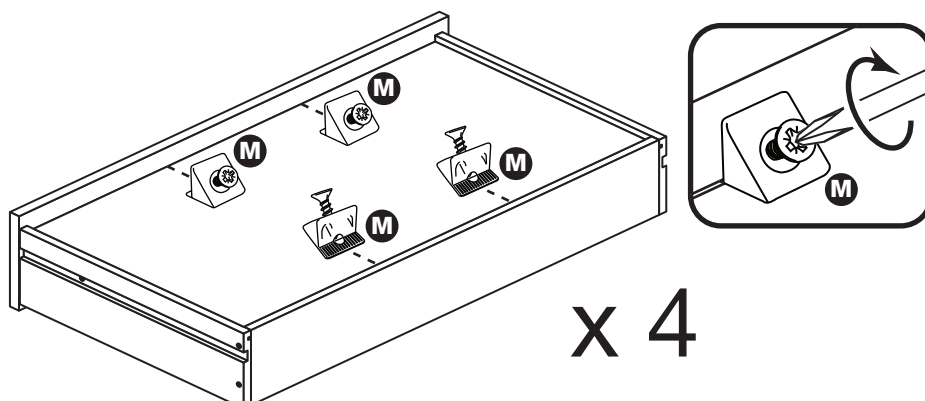
Attach 2 handles **I** to each of the large drawer fronts **10** using 2 screws **H**.



Step 14

Fit the wedgifixes

Turn the large drawer assemblies over and slide 4 wedgifixes **M** into the front and back grooves, as shown, and tighten up the screws.



Assembly Instructions

Step 15

Prepare the left side

a: Place 5 runners **O** on the left side **1** as shown. Slide back the top of runner and use the 2nd hole from the front to fit the 1st screw **K**.

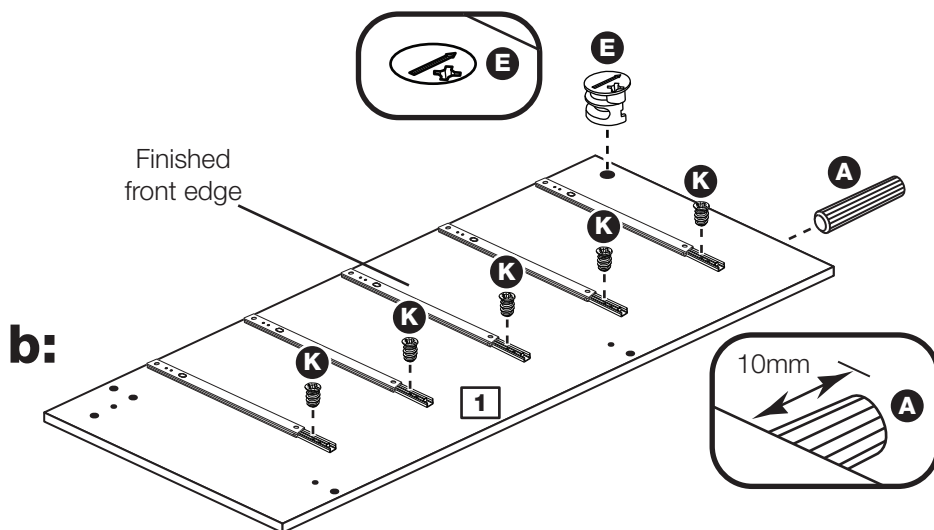
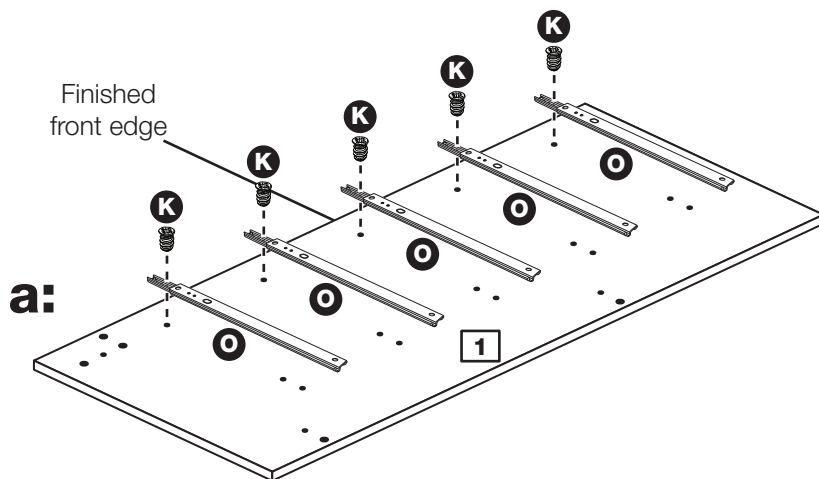
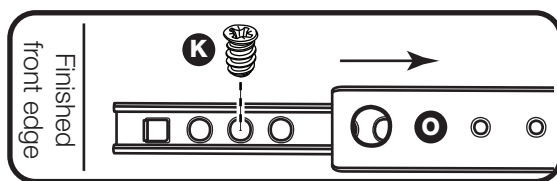
b: Slide the runner **O** back the other way and fit the 2nd screw **K** into the corresponding hole in the left side **1**.

Insert a large locking nut **E** into the left side **1**.

Note: The arrow on the locking nuts **must** point towards the hole in the edge of the panel.

Tap a wooden dowel **A** into the left side **1**.

Note: Wooden dowels **must not** stick out from the edge by more than 10mm or they may damage other panels.



Assembly Instructions

Step 16

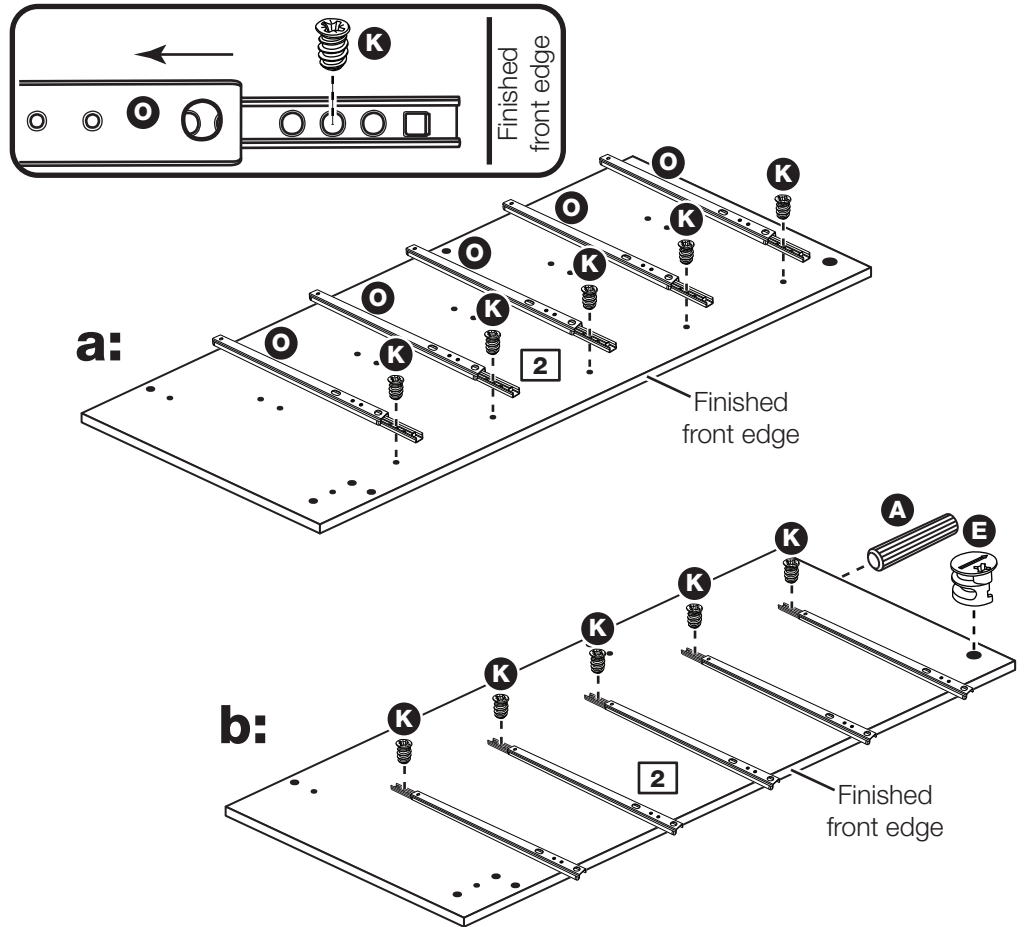
Prepare the right side

a: Place 5 runners **O** on the right side **2** as shown. Slide back the top of runner and use the 2nd hole from the front to fit the 1st screw **K**.

b: Slide the runner **O** back the other way and fit the 2nd screw **K** into the corresponding hole in the right side **2**.

Insert a large locking nut **E** into the right side **2**.

Tap a wooden dowel **A** into the right side **2**.



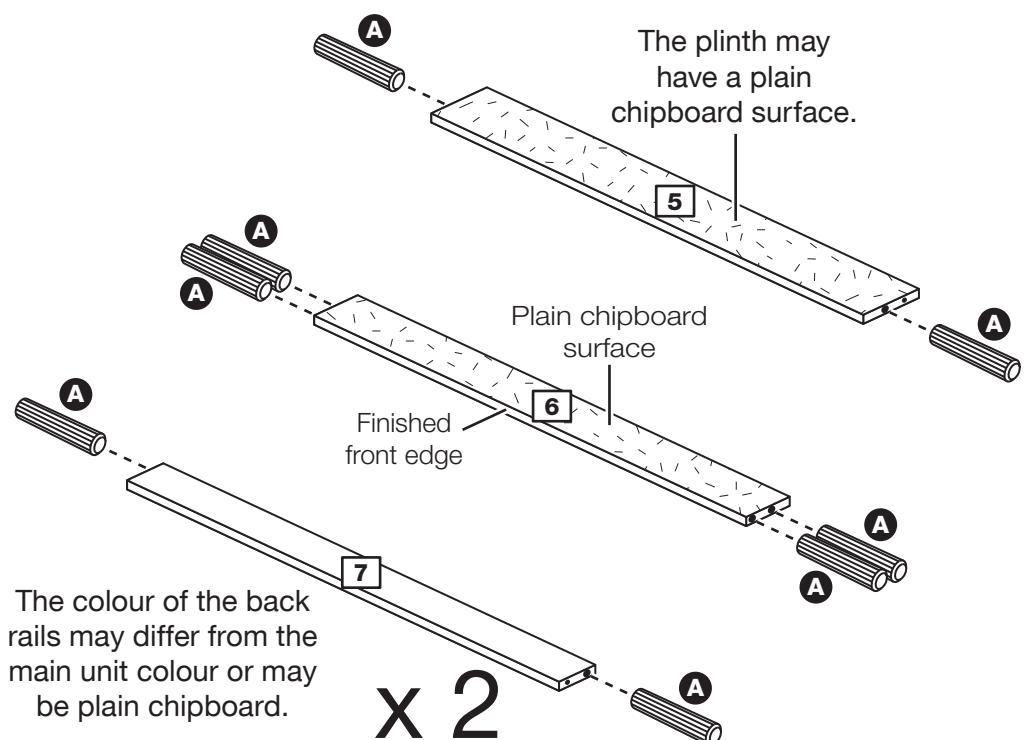
Step 17

Prepare the plinth, rail and 2 back rails

Tap 2 wooden dowels **A** into the plinth **5**.

Tap 4 wooden dowels **A** into the rail **6**.

Tap 2 wooden dowels **A** into each of the 2 back rails **7**.

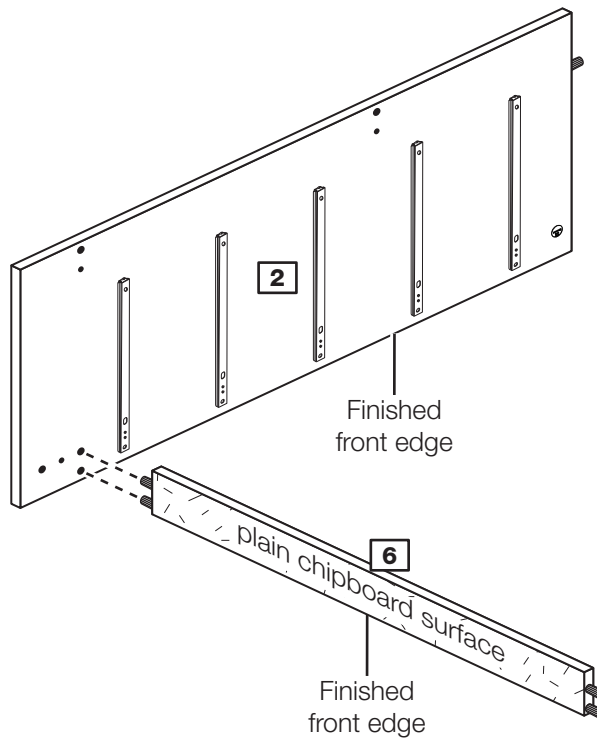


Assembly Instructions

Step 18

Fit the rail to the right side

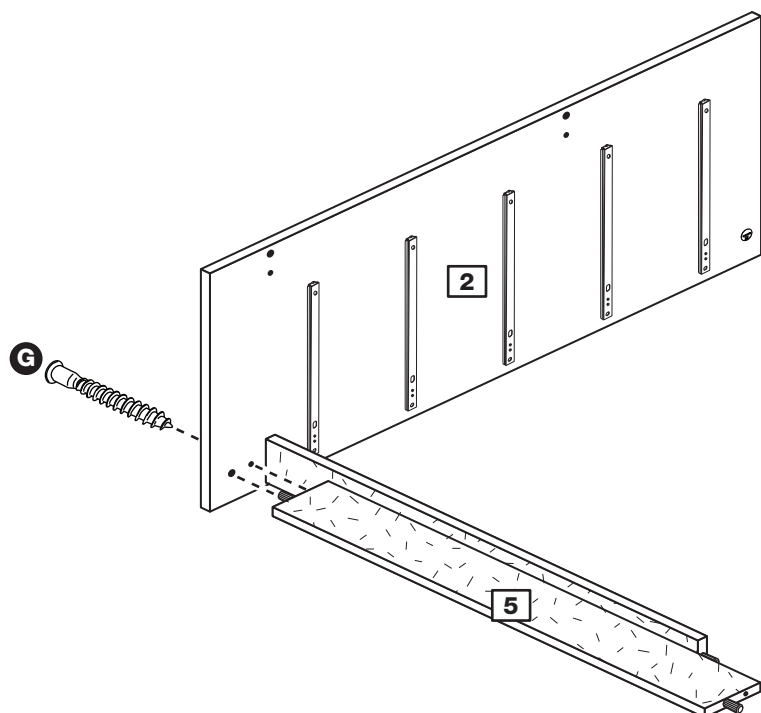
Push the rail **6** onto the right side **2** as shown .



Step 19

Fit the plinth to the right side

Push the plinth **5** onto the right side **2** and secure it with screw **G**.

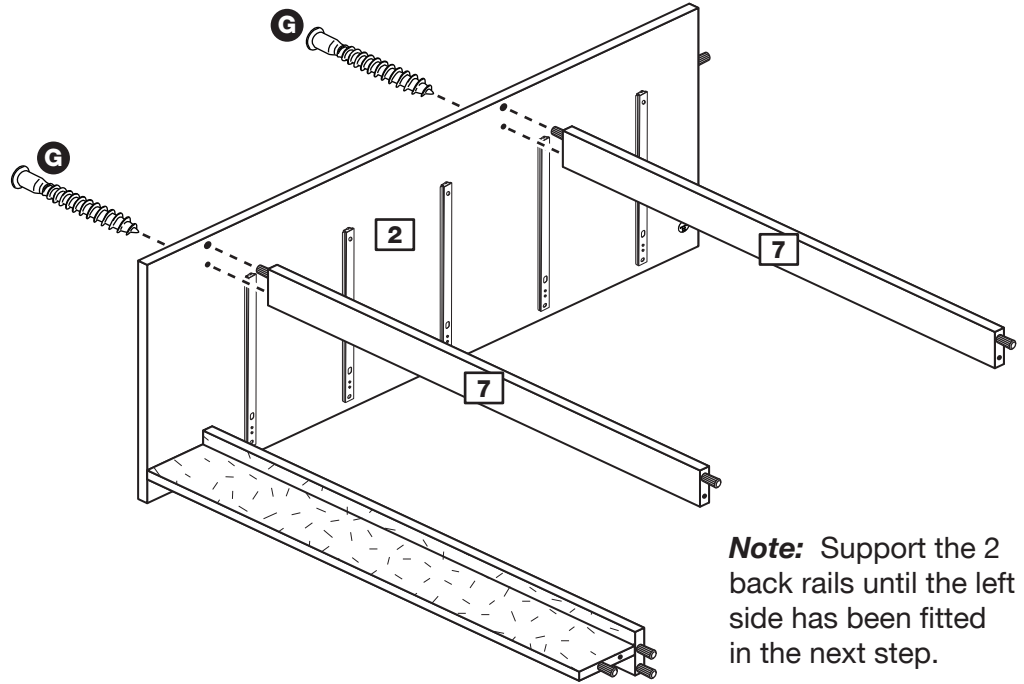


Assembly Instructions

Step 20

Fit the back rails to the right side

Push the 2 back rails **7** onto the right side **2** and secure them with screws **G**.

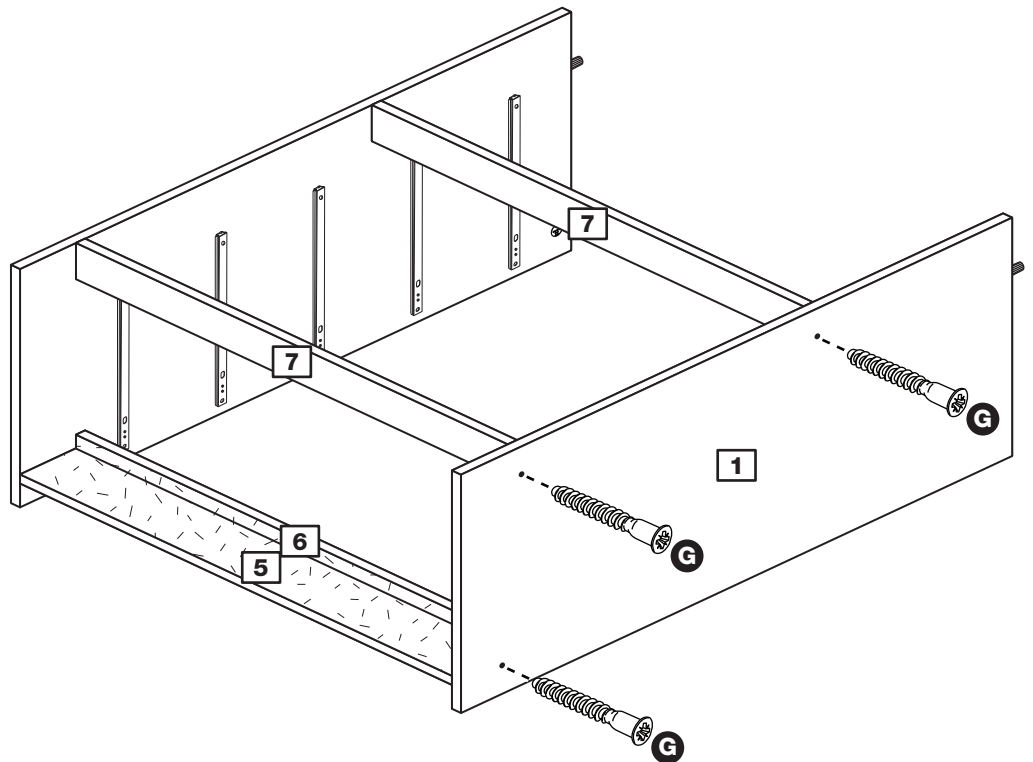


Note: Support the 2 back rails until the left side has been fitted in the next step.

Step 21

Fit the left side

Push the left side **1** onto the assembly and secure it with screws **G**.

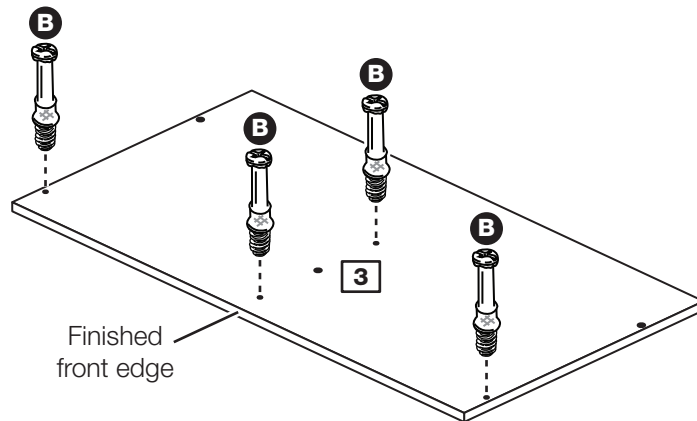


Assembly Instructions

Step 22

Prepare the top

Screw 4 metal dowels **B** into the top **3**.



Step 23

Prepare the divider

a: Place a runner **O** on the divider **4** as shown. Slide back the top of runner and use the 2nd hole from the front to fit the 1st screw **K**.

b: Slide the runner **O** back the other way and fit the 2nd screw **K** into the corresponding hole in the divider **4**.

Insert 2 large locking nuts **E** into the divider **4**.

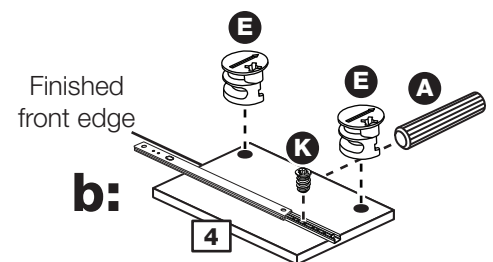
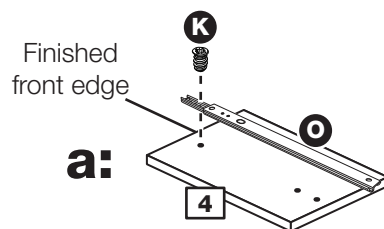
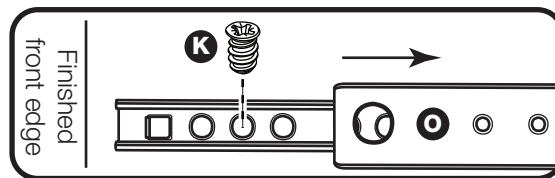
Tap a wooden dowel **A** into the divider **4**.

Turn the divider over

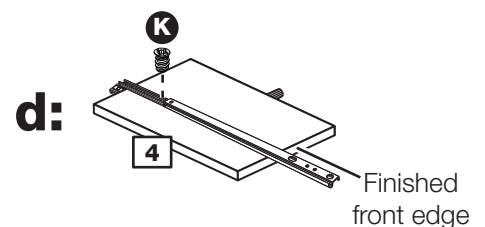
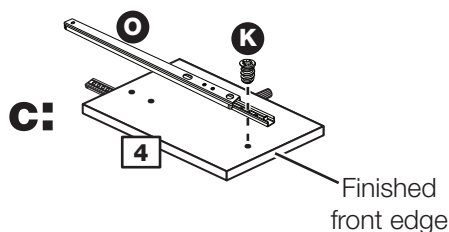
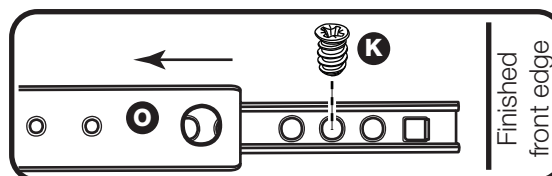
c: Place a runner **O** on the divider **4** as shown. Slide back the top of runner and use the 2nd hole from the front to fit the 1st screw **K**.

d: Slide the runner **O** back the other way and fit the 2nd screw **K** into the corresponding hole in the divider **4**.

Note: Due to the manufacturing process, the 2 holes for the large locking nut can be on either surface of the divider.



Turn the divider over



Assembly Instructions

Step 24

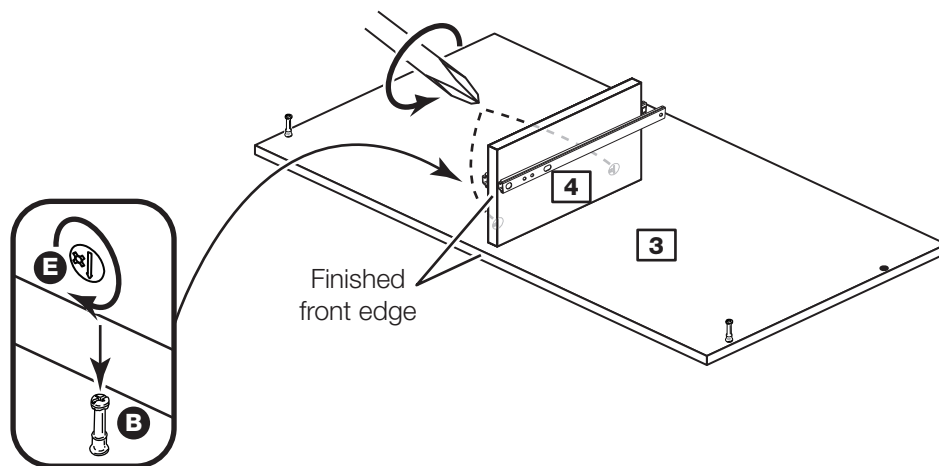
Fit the divider to the top

Push the divider **4** onto the top **3**.

Use a screwdriver to tighten the 2 large locking nuts **E** fitted to the divider **4**.

Note: Turn the large locking nuts **E** as far as they will go - more than 1/2 a turn.

Remember: The large locking nuts can be on either surface of the divider.

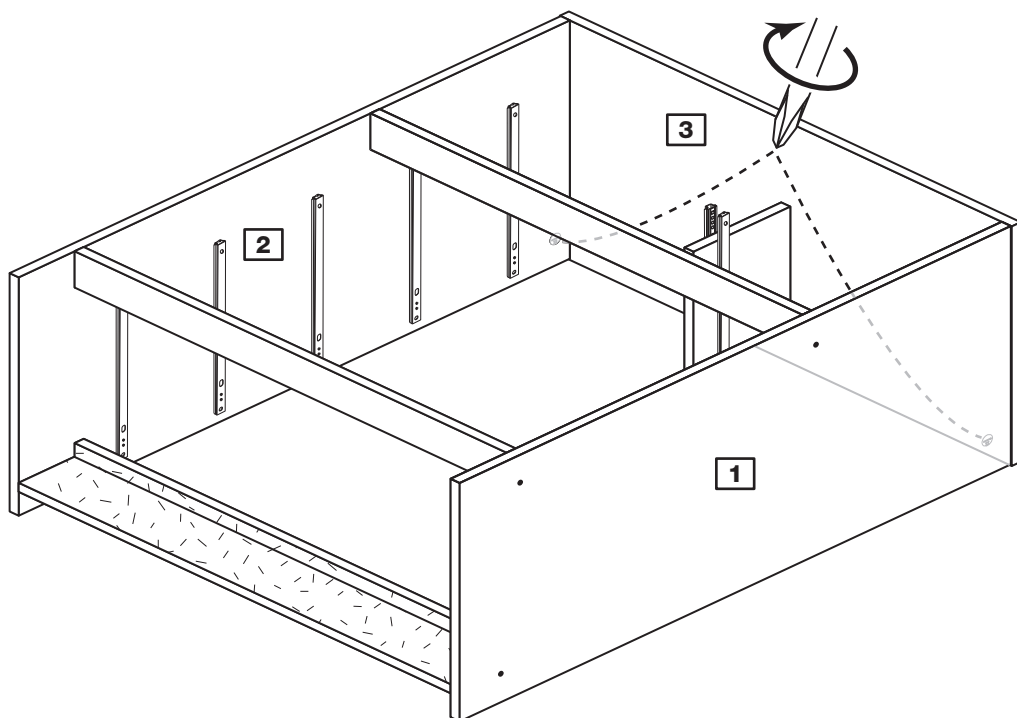


Step 25

Fit the top

Push the top **3** onto the sides **1** and **2**.

Use a screwdriver to tighten the 2 large locking nuts **E** fitted to the sides **1** and **2**.



Assembly Instructions

Step 26

Fit the back

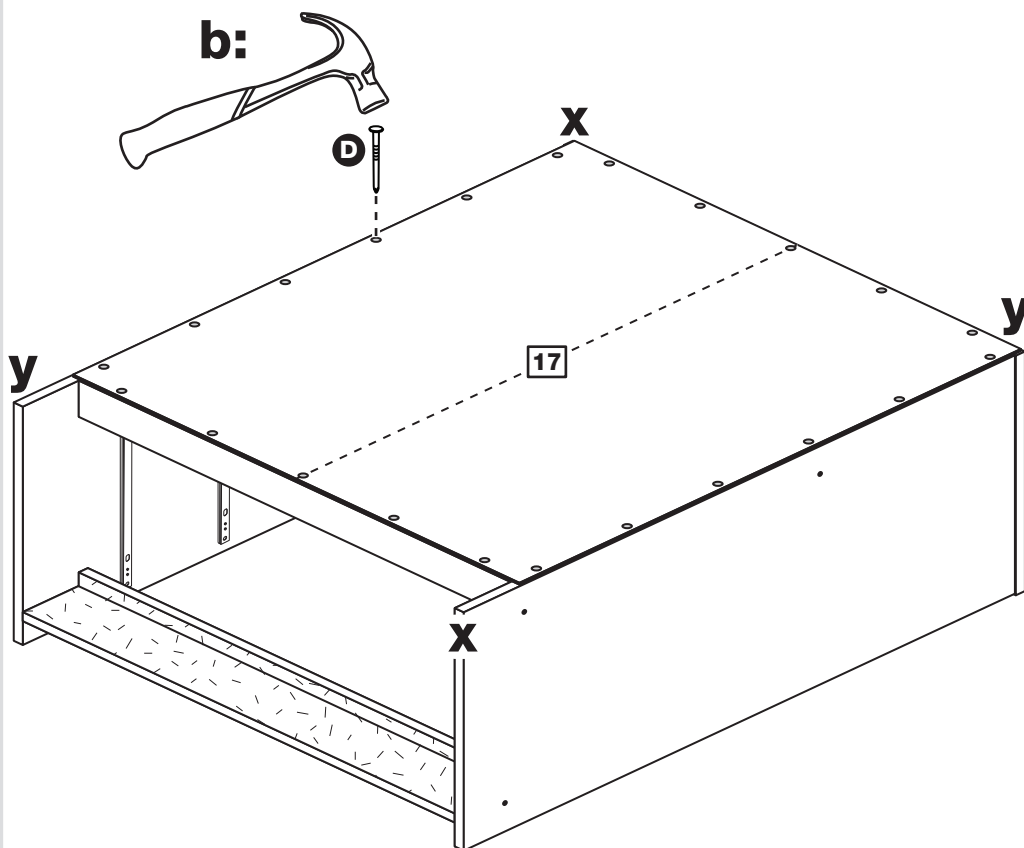
a: Square up the unit by making sure that measurement **x** to **x** equals **y** to **y**.

b: Place the back **17** down onto the unit, as shown.

Nail **D** around the outside edges of the back **17**.

Note: Nails should be spaced about 150mm apart.

a: The measurement from top corner X to bottom corner X must be equal to the measurement from top corner Y to bottom corner Y

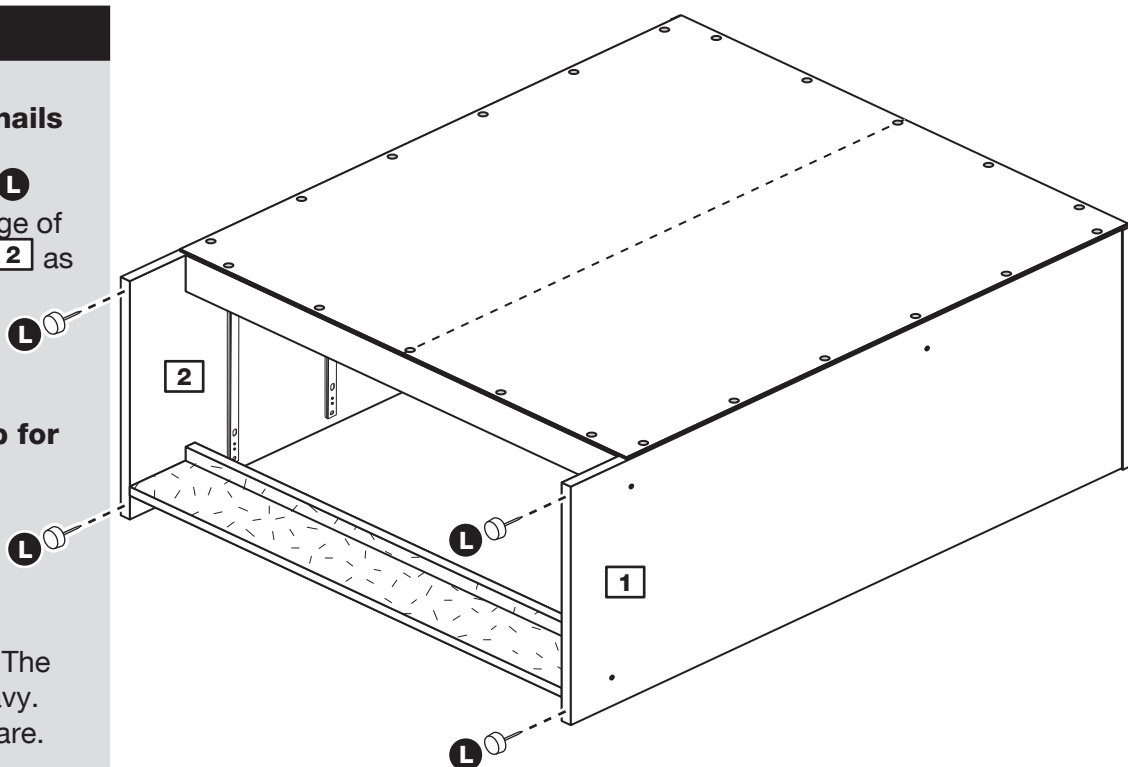


Step 27

Fit the 4 plastic nails

Tap 2 plastic nails **L** into the bottom edge of each side **1** and **2** as shown.

Stand the unit up for the next step.



Warning: The unit is heavy. Lift with care.

Assembly Instructions

Step 28

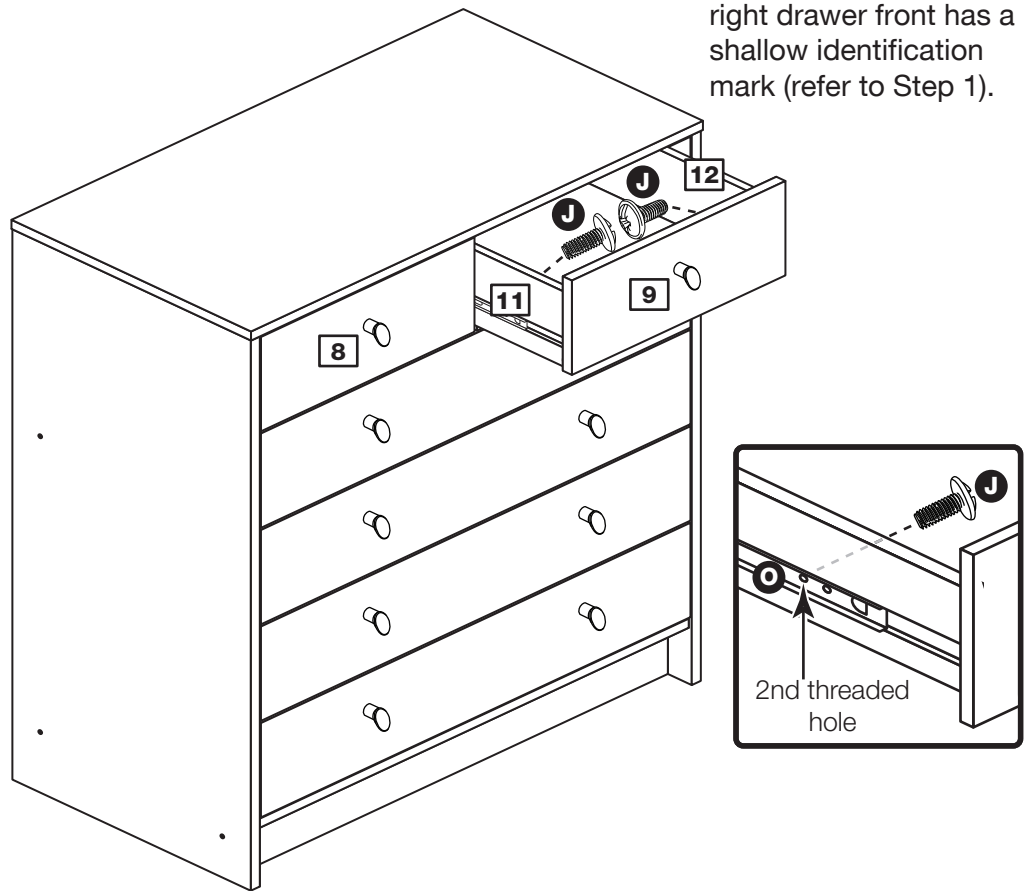
Fit the drawers

Starting with the bottom drawer, slide both the runners **O** forward and locate the drawer sides **11** and **12** between them, lining up the holes in the drawer wrap with the 2nd 'threaded' holes in the runners **O**.

Working from the inside of the drawer, insert 2 screws **J** through the drawer sides and out into the 2nd threaded hole in the runner.

Note: Do not overtighten the screws. If they catch on the runner you may need to loosen them slightly.

Remember: The small right drawer front has a shallow identification mark (refer to Step 1).



Step 29

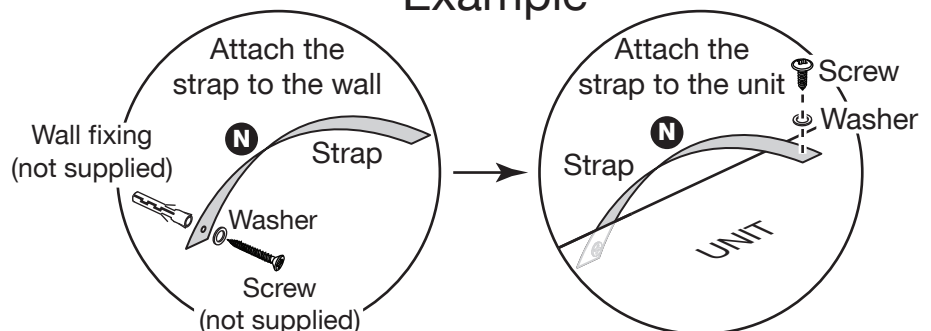
Fit the overbalance protector kit

To prevent possible overbalancing we recommend that this unit is secured to a suitable wall by fitting of the overbalance protector kit **N** to the unit, or an alternative fixing method of your choice.

Wall fixings are not supplied as they will need to suit the wall type.

Assembly is complete

Example



Note: Take care when drilling the wall that you do not drill into any pipes, wires etc. If in doubt, consult an expert.

If you need help or have damaged or missing parts, call the Customer Helpline: 03456 400800 and quote the reference numbers on the component pages.

Argos Ltd, 489-499 Avebury Boulevard, Central Milton Keynes, MK9 2NW