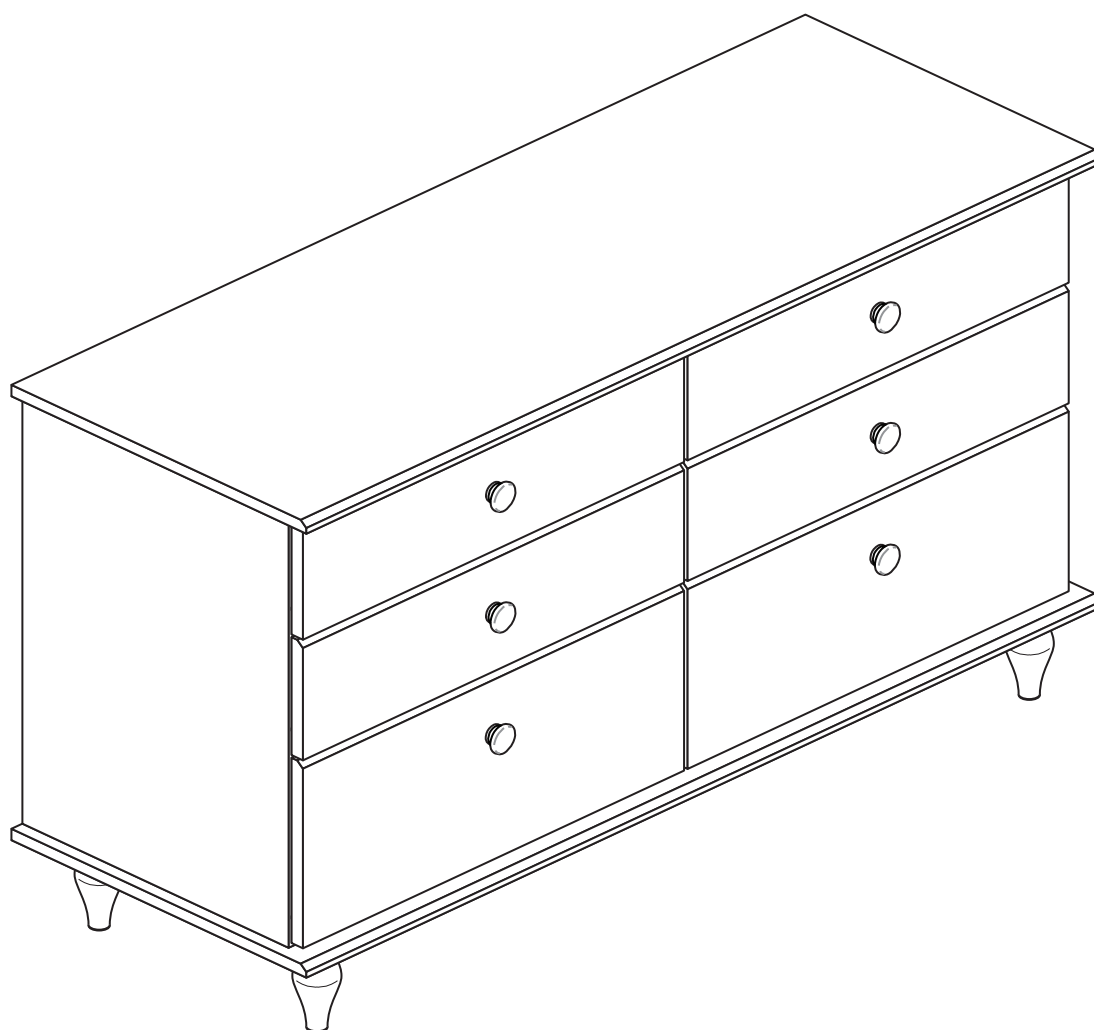


Victoriana - 3+3 Drawer Chest

Assembly Instructions - Please keep for future reference

228/9795

259/4349



Dimensions

Width - 105cm

Depth - 39cm

Height - 71.5cm



**MADE IN
BRITAIN**

Important - Please read these instructions fully before starting assembly

If you need help or have damaged or missing parts, call the **Customer Helpline: 08456 400800**



Safety and Care Advice

Important - Please read these instructions fully before starting assembly

- **Warning:** This unit weighs approximately 35kgs. Please lift with care.

- Check you have all the components and tools listed on pages 2 and 3.

- Remove all fittings from the plastic bags and separate them into their groups.

- Keep children and animals away from the work area, small parts could choke if swallowed.

- Parts of the assembly will be easier with 2 people.

- Make sure you have enough space to layout the parts before starting.

- Do not stand or put weight on the product, this could cause damage.

- Assemble the item as close to its final position (in the same room) as possible.

- Assemble on a soft level surface to avoid damaging the unit or your floor (use opened out unit carton).



- We do not recommend the use of power drill/drivers **for inserting screws**, as this could damage the unit. Only use hand screwdrivers.

- **Safety note:** If there is any chance of this unit being pulled over by children etc. it is recommended that the unit is secured to a wall using suitable fixings (not supplied).

- Dispose of all packaging carefully and responsibly.

Care and maintenance

- Only clean using a damp cloth and mild detergent, do not use bleach or abrasive cleaners.

- From time to time check that there are no loose screws on this unit.

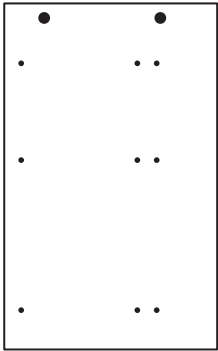
- This product should not be discarded with household waste. Take to your local authority waste disposal centre.

Note: If required the next page can be cut out and used as reference throughout the assembly. Keep this page with these instructions for future reference.

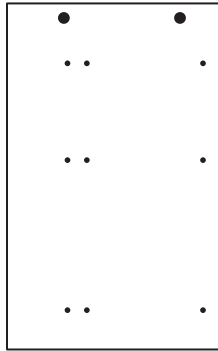
Components - Panels

If you have damaged or missing components, call the **Customer Helpline: 08456 400800** quoting the reference numbers below

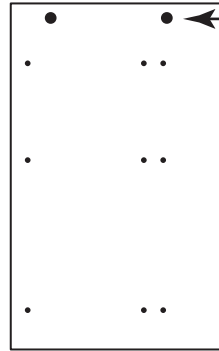
Please check you have all the panels listed below



1 Left Side (D3004A)
(572 x 352mm)

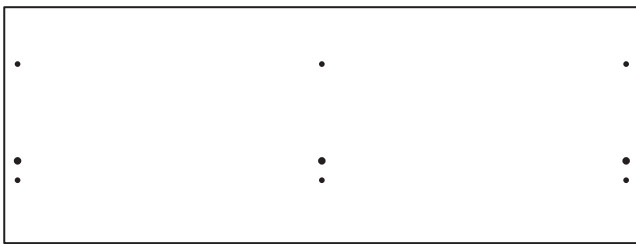


2 Right Side (D3005A)
(572 x 352mm)

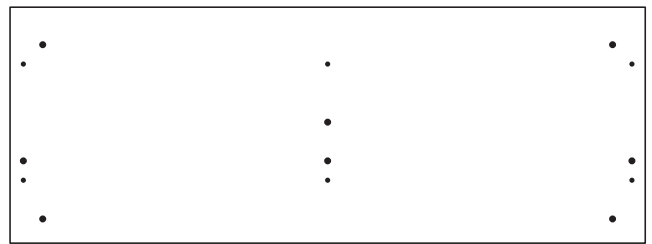


3 Upright (D3006A)
(572 x 352mm)

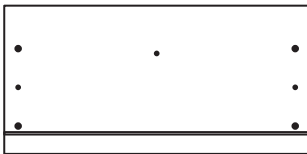
Note: Due to the manufacturing process, these 2 large holes can be on either surface of the upright.



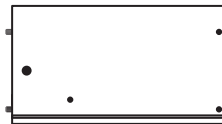
4 Top (D3003A)
(1050 x 390mm)



5 Base (D3007A)
(1050 x 390mm)



6 Large Drawer Front (D3009A)
(504 x 245mm) x 2



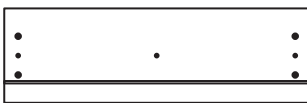
7 Large Left Drawer Side (W350-195LH)
(350 x 195mm) x 2



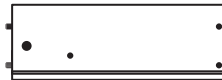
8 Large Right Drawer Side (W350-195RH)
(350 x 195mm) x 2



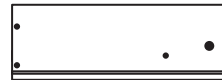
9 Large Drawer Back (W313-195)
(451 x 195mm) x 2



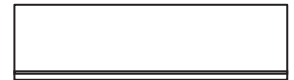
10 Small Drawer Front (D3008A)
(504 x 156mm) x 4



11 Small Left Drawer Side (W350-124LH)
(350 x 124mm) x 4



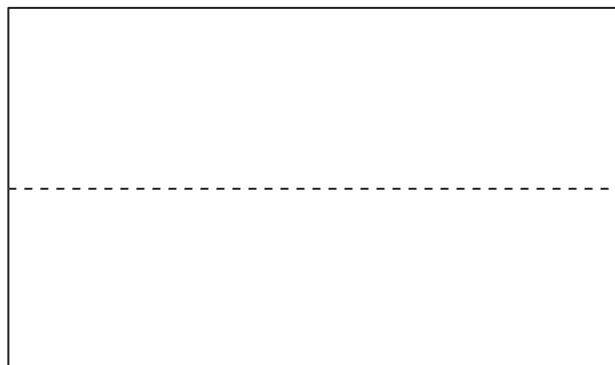
12 Small Right Drawer Side (W350-124RH)
(350 x 124mm) x 4



13 Small Drawer Back (W313-124)
(451 x 124mm) x 4



14 Drawer Base (T462-347)
(462 x 347mm) x 6



15 Back (X1017-598)
(1017 x 598mm)

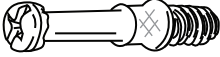



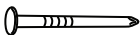








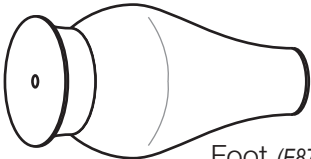

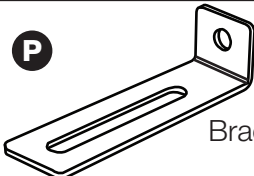





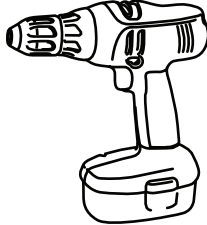



Components - Fittings

If you have damaged or missing components, call the **Customer Helpline: 08456 400800** quoting the reference numbers below

Please check you have all the fittings listed below

Note: The quantities below are the correct amount to complete the assembly. In some cases more fittings may be supplied than are required.

<p>A </p> <p>Metal dowel (F901) x 18</p>	<p>B </p> <p>Large locking nut (F900) x 6</p>	<p>C </p> <p>Small locking nut (F3) x 12</p>
<p>D </p> <p>Wooden dowel (F22) x 6</p>	<p>E </p> <p>Nail (F51) x 24</p>	<p>F </p> <p>Knock-in Peg (F171GY) x 24</p>
<p>G </p> <p>40mm Screw (F910) x 6</p>	<p>H </p> <p>38mm Screw (F81) x 6</p>	<p>I </p> <p>9mm Screw (F73) x 24</p>
<p>J </p> <p>9mm Screw (F74) x 12</p>	<p>K </p> <p>13mm Screw (F79) x 1</p>	<p>L </p> <p>Handle (F463) x 6</p>
<p>M </p> <p>Drawer runner (F1004) x 12</p>		<p>N </p> <p>Foot (F872) x 5</p>
<p>O </p> <p>Wedgefix (F639) x 12</p>	<p>P </p> <p>Bracket (F327) x 1</p>	
<p>R </p> <p>Allen Key (F36) x 1</p>	<p>Tools required</p> <div style="display: flex; justify-content: space-around; align-items: flex-start;"> <div style="text-align: center;">  Rule </div> <div style="text-align: center;">  Cross-head screwdriver </div> <div style="text-align: center;">  Hammer </div> <div style="text-align: center;">  Eye protection (when using a hammer or drill) </div> <div style="text-align: center;">  Electric drill (only use when drilling into walls) </div> </div> <div style="display: flex; justify-content: space-around; align-items: center; margin-top: 10px;"> <div style="text-align: center;">  Scissors </div> </div>	

Ruler - Use this ruler to help correctly identify the screws



Assembly Instructions

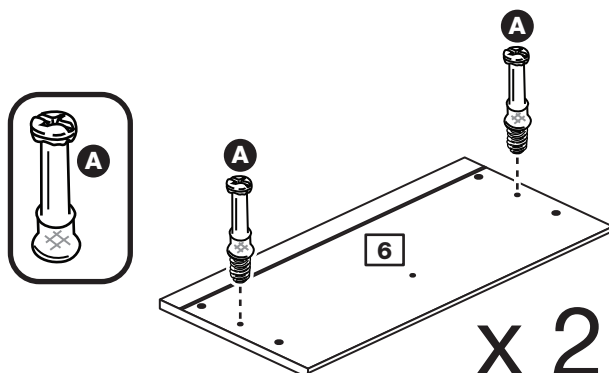
If you have damaged or missing components, call the
Customer Helpline: 08456 400800 quoting the reference
numbers below

Step 1

Prepare the 2 large drawer fronts

Screw 2 metal dowels **A** into each of the large drawer fronts **6**.

Note: Tighten the metal dowels up fully against the panels.

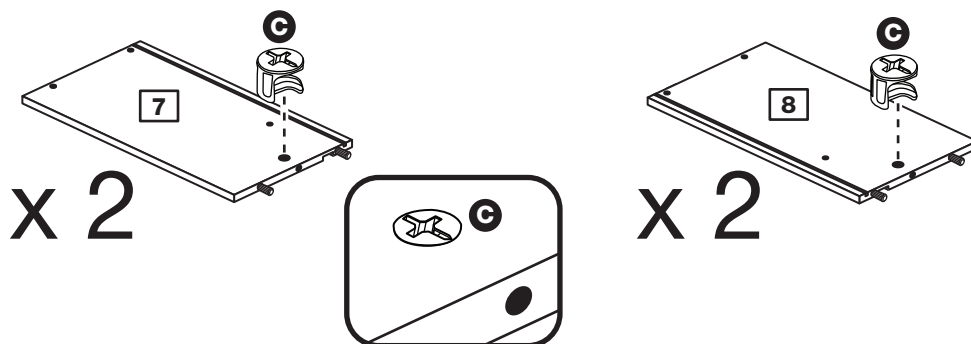


Step 2

Prepare the pair of large drawer sides

Insert a small locking nut **C** into the hole shown on the large left drawer side **7** and the large right drawer side **8**.

Note: The arrow on the locking nut **must** point towards the hole in the edge of the panel.



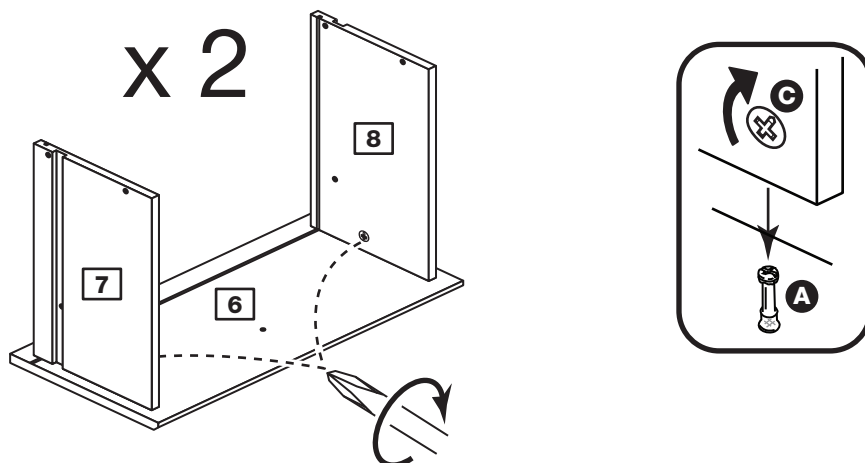
Step 3

Attach the large drawer sides to the large drawer fronts

Push the large left drawer side **7** and large right drawer side **8** onto the back of the large drawer front **6**.

Turn the small locking nuts **C** on the large left drawer side **7** and large right drawer side **8**.

Note: Turn the locking nuts **C** clockwise to secure panels - more than 1/2 a turn.

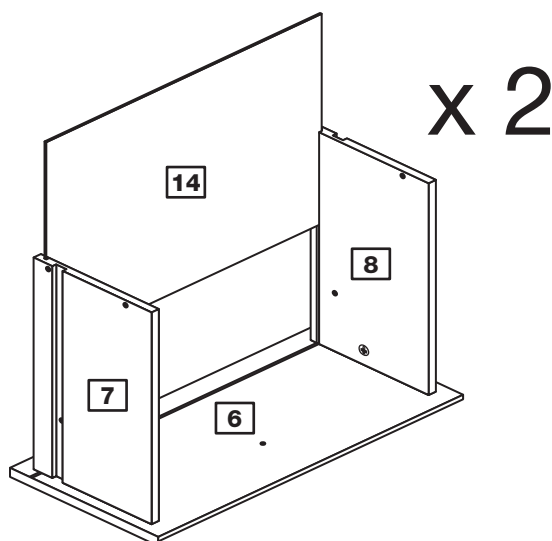


Assembly Instructions

Step 4

Fit the drawer bases

Slide the drawer base **14** down the grooves in the large drawer sides **7** and **8** and down into the groove in the large drawer front **6**.

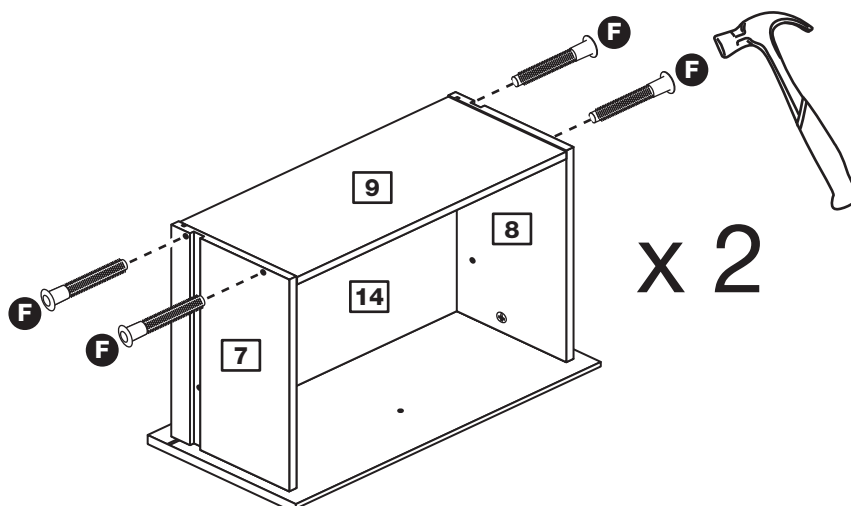


Step 5

Fit the large drawer backs

Fit the large drawer back **9** between the large drawer sides **7** and **8**. Make sure that the drawer base **14** fits into the groove in the large drawer back **9**.

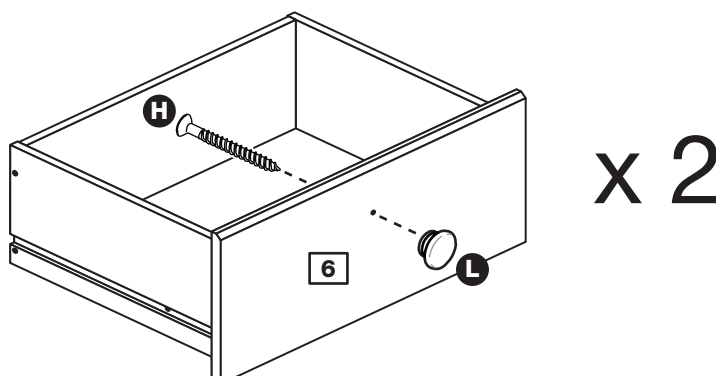
Hold the large drawer back **9** in position and tap the knock-in pegs **F** through the holes in the large drawer sides **7** and **8**.



Step 6

Attach the handles


Attach a handle **L** to each of the large drawer fronts **6** using screw **H**.

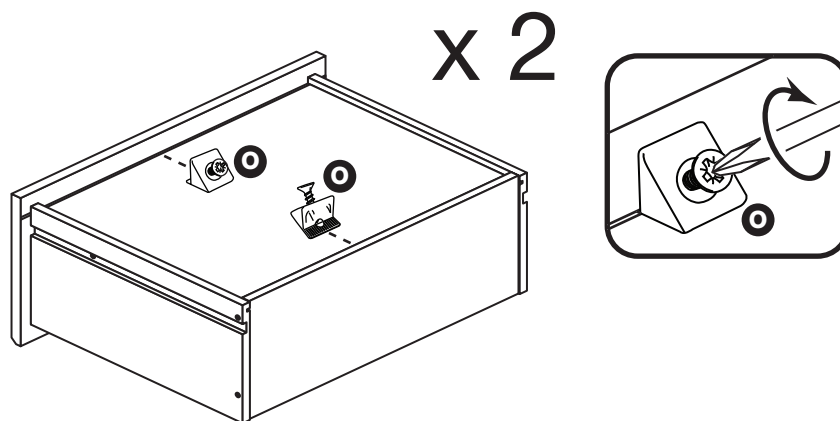


Assembly Instructions

Step 7



Fit the wedgexes

Turn the 2 large drawer assemblies over and slide 2 wedgexes  into the front and back grooves, as shown, and tighten up the screws.

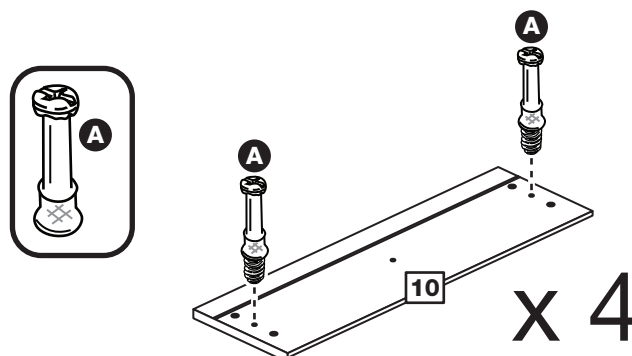


Step 8

Prepare the 4 small drawer fronts




Screw 2 metal dowels  into each small drawer front .

Note: Tighten the metal dowels up fully against the panels.

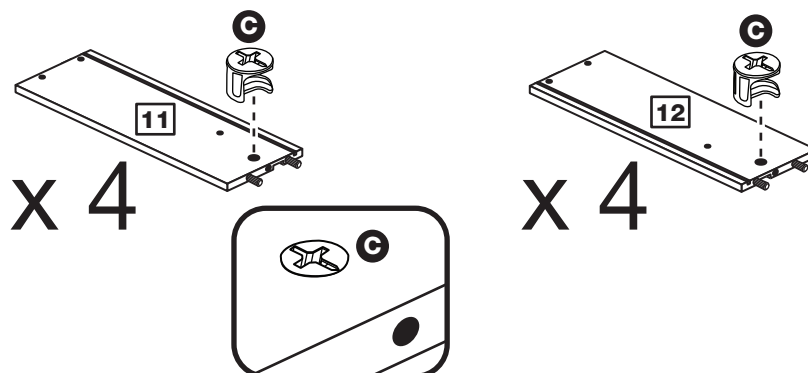


Step 9

Prepare the 4 pair of small drawer sides

Insert a small locking nut  into the hole shown on the small left drawer side  and the small right drawer side .

Note: The arrow on the locking nut **must** point towards the hole in the edge of the panel.



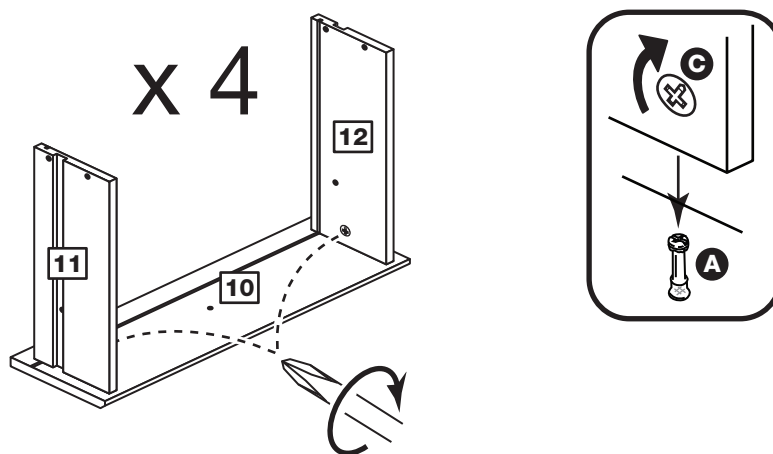
Assembly Instructions

Step 10

Attach the small drawer sides to the small drawer fronts

Push the small left drawer side **11** and small right drawer side **12** onto the back of the small drawer front **10**.

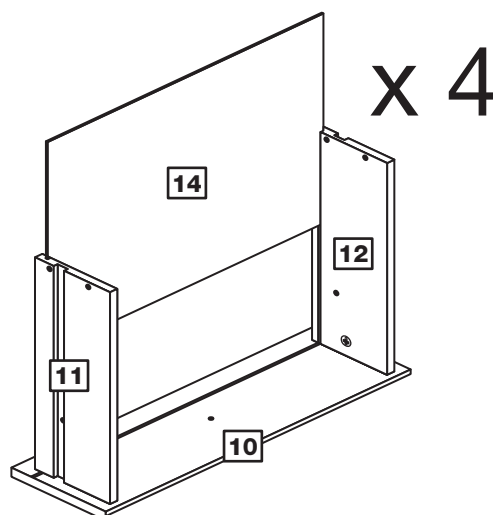
Turn the small locking nuts **C** on the small left drawer side **11** and small right drawer side **12**.



Step 11

Fit the drawer bases

Slide the drawer base **14** down the grooves in the small drawer sides **11** and **12** and down into the groove in the small drawer front **10**.

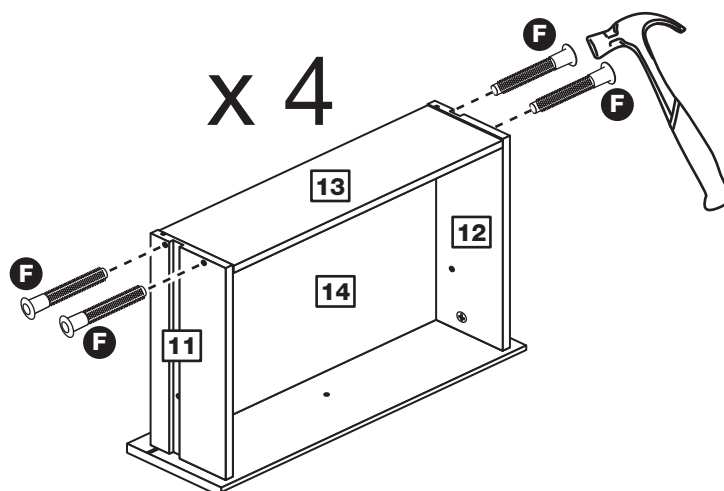


Step 12

Fit the small drawer backs

Fit the small drawer back **13** between the small drawer sides **11** and **12**. Make sure that the drawer base **14** fits into the groove in the small drawer back **13**.

Hold the small drawer back **13** in position and tap the knock-in pegs **F** through the holes in the small drawer sides **11** and **12**.

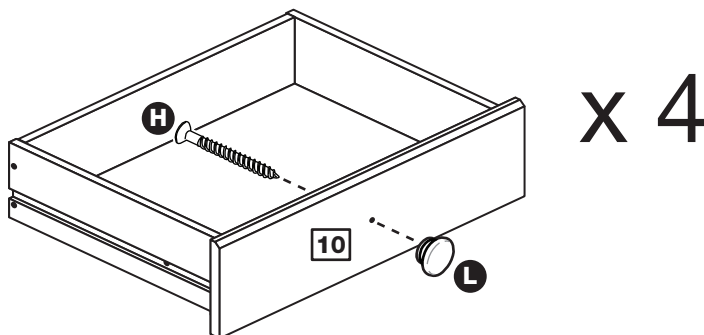


Assembly Instructions

Step 13

Attach the handles

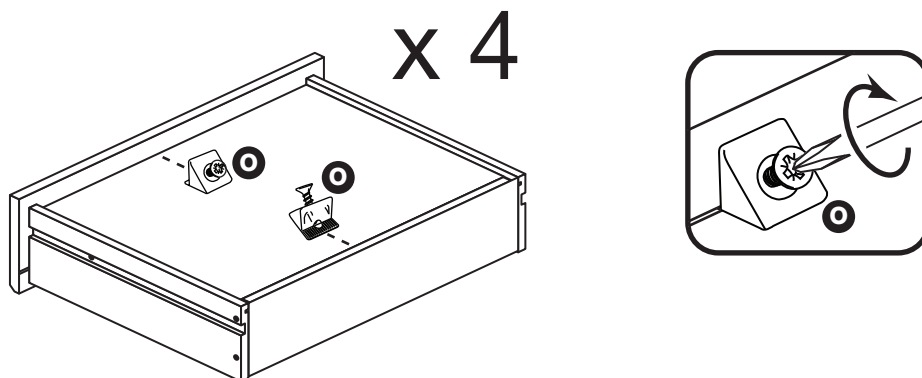
Attach a handle **L** to each of the small drawer fronts **10** using screws **H**.



Step 14

Fit the wedgexes

Turn the small drawer assemblies over and slide 2 wedgexes **O** into the front and back grooves, as shown, and tighten up the screws.

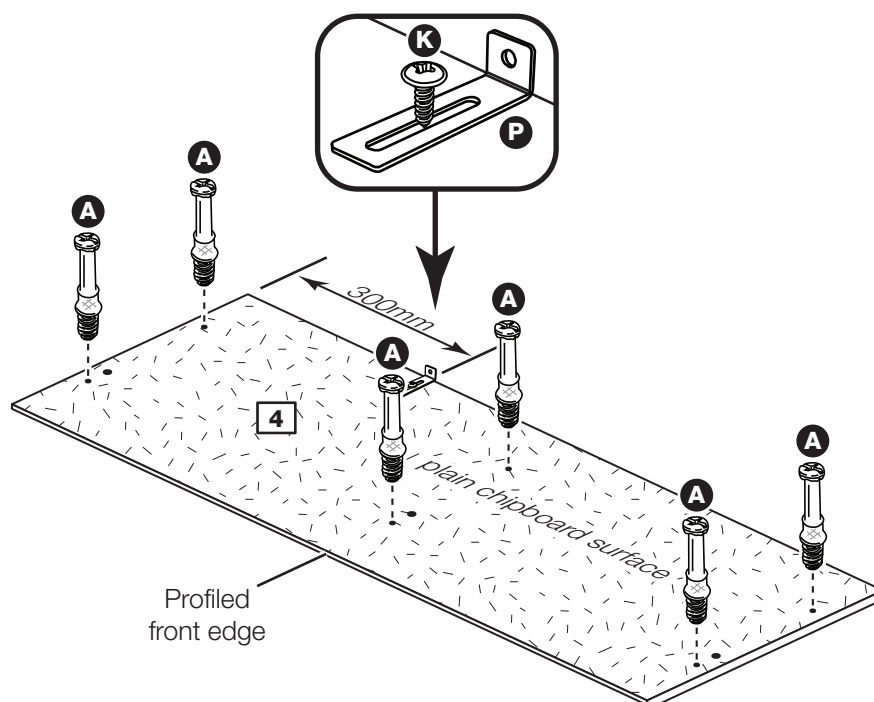


Step 15

Prepare the top

Screw 6 metal dowels **A** into the underside of the top **4**.

Screw the bracket **P** onto the top **4**, 300mm in from either end and flush to the back edge, using screw **K**.



Assembly Instructions

Step 16

Prepare the left side

Important: The left side and upright panels can look similar but, the left side is thinner and its holes are not drilled all the way through.

a: Place 3 runners **M** on the left side **1**. Slide back the top of runner and use the 2nd hole from the front to fit the 1st screw **I**.

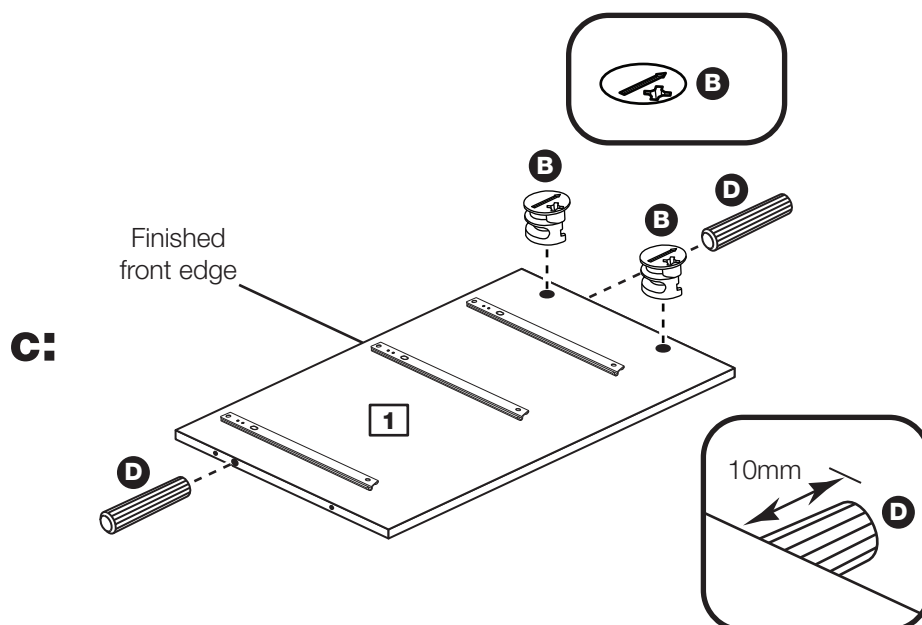
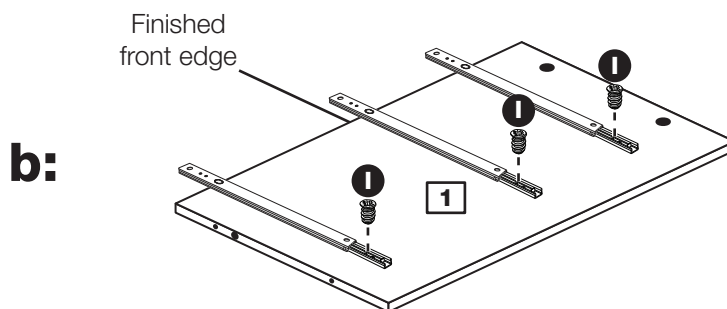
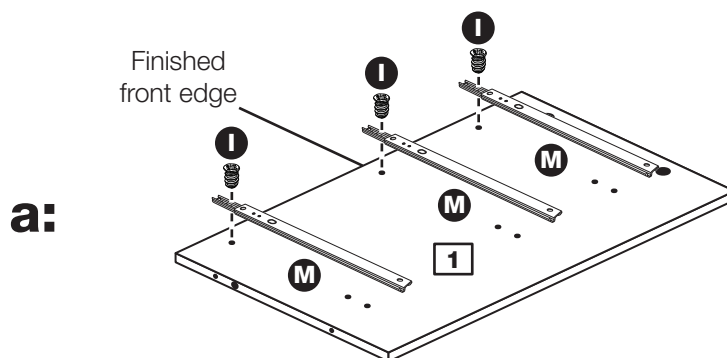
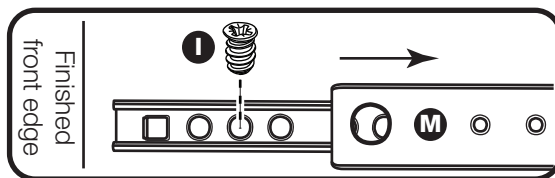
b: Slide the runner **M** back the other way and fit the 2nd screw **I** into the corresponding hole in the left side **1**.

c: Tap 2 wooden dowels **D** into the left side **1**.

Note: Wooden dowels **must not** stick out from the edge by more than 10mm or they may damage other panels.

Insert 2 large locking nuts **B** into the left side **1**.

Note: The arrow on the locking nut **must** point towards the hole in the edge of the panel.



Assembly Instructions

Step 17

Prepare the right side

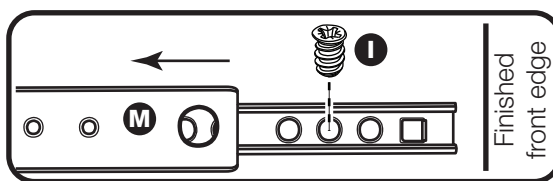
Important: The right side and upright panels can look similar but, the left side is thinner and its holes are not drilled all the way through.

a: Place 3 runners **M** on the right side **2**. Slide back the top of runner and use the 2nd hole from the front to fit the 1st screw **I**.

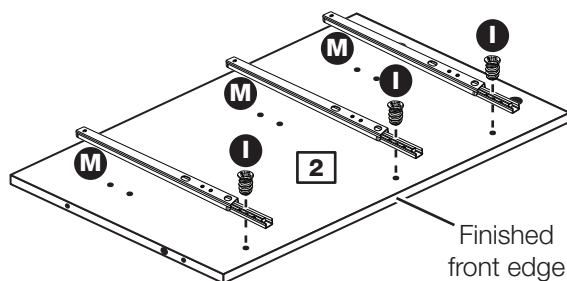
b: Slide the runner **M** back the other way and fit the 2nd screw **I** into the corresponding hole in the right side **2**.

c: Tap 2 wooden dowels **D** into the right side **2**.

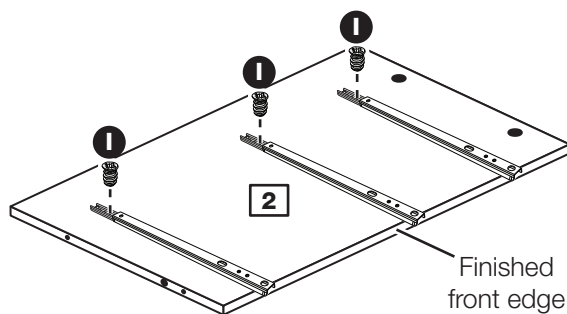
Insert 2 large locking nuts **B** into the right side **2**.



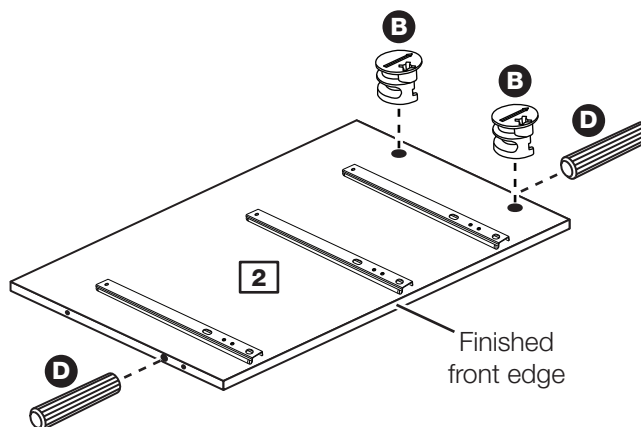
a:



b:



c:



Assembly Instructions

Step 18

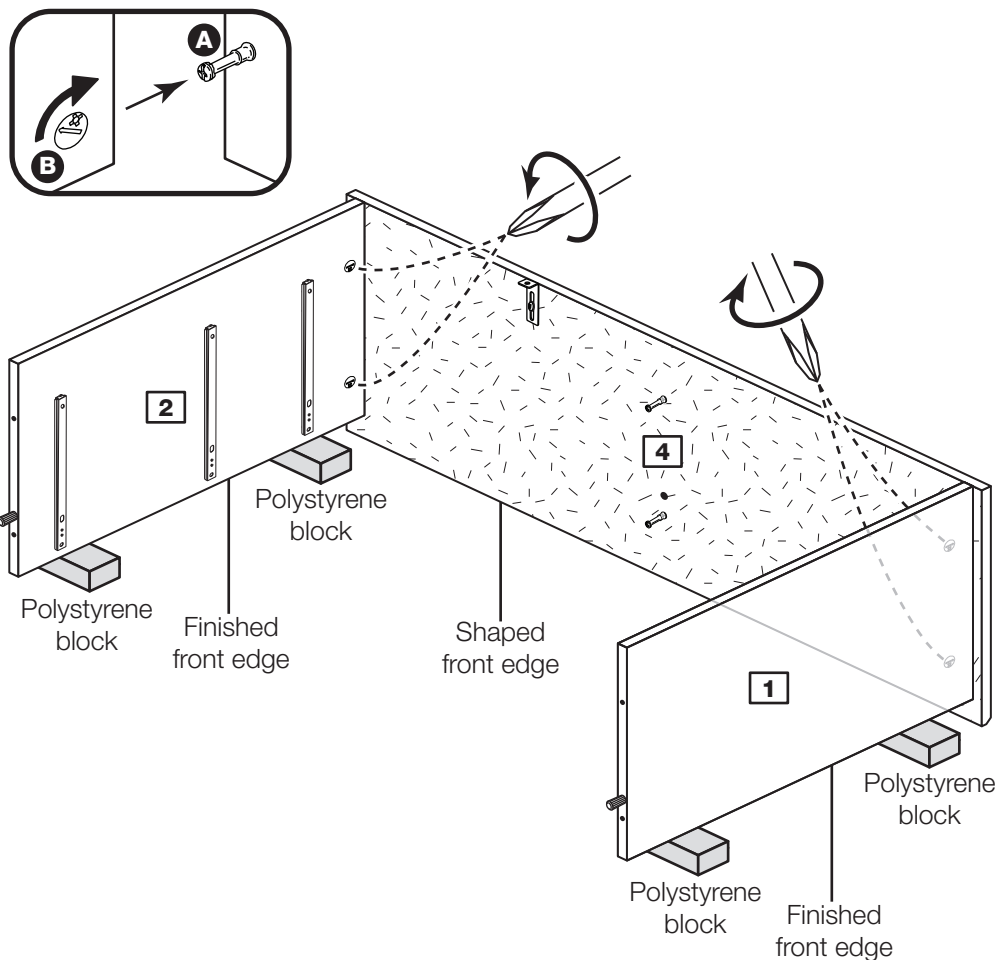
Join the sides to the top

Note: To make the assembly easier, place polystyrene blocks from the packaging underneath the side panels to raise them up.

Push the left side **1** and right side **2** onto the top **4**.

Use a screwdriver to tighten the 4 large locking nuts **B** fitted to the left side **1** and right side **2**.

Note: Turn the large locking nuts **B** as far as they will go - more than 1/2 a turn.



Assembly Instructions

Step 19

Prepare the upright

Note: Due to the manufacturing process, the 2 holes for the large locking nuts can be on either surface of the upright.

a: Place 3 runners **M** on the upright **3**. Slide back the top of runner and use the 2nd hole from the front to fit the 1st screw **I**.

b: Slide the runner **M** back the other way and fit the 2nd screw **I** into the corresponding hole in the upright **3**.

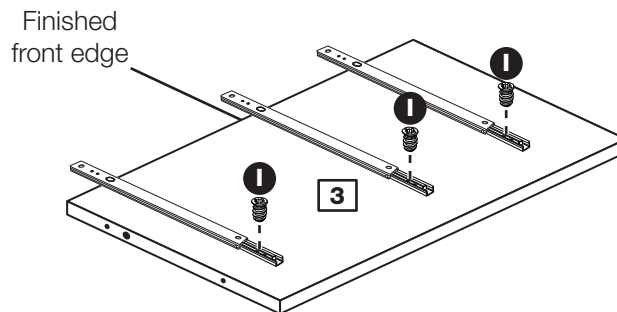
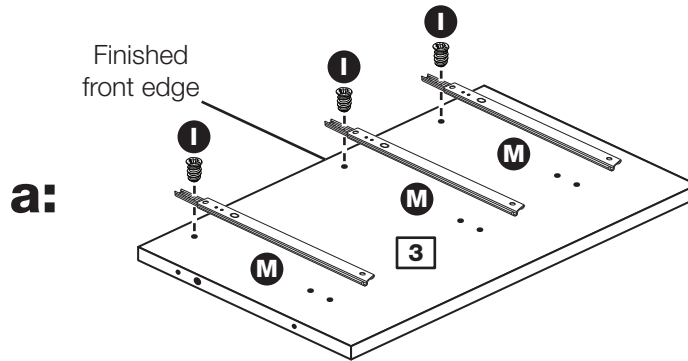
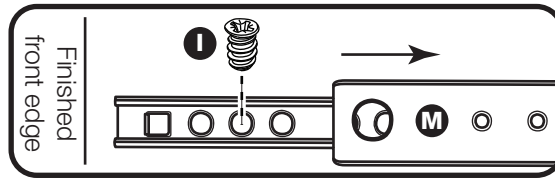
Turn the upright over

c: Place 3 runners **M** on the upright **3**. Slide back the top of the runner and use the 2nd hole from the front to fit the 1st screw **I**.

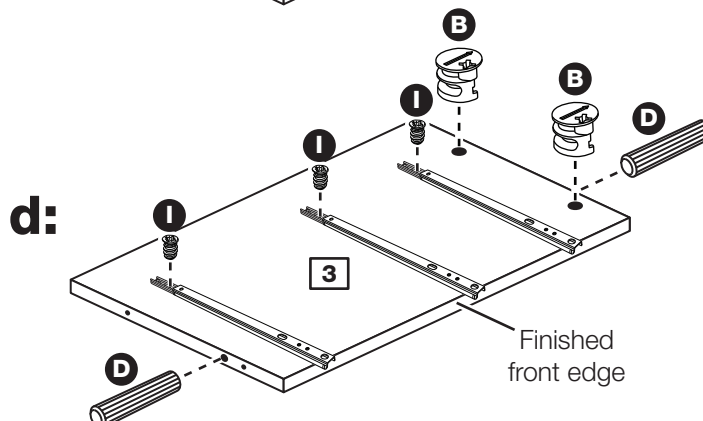
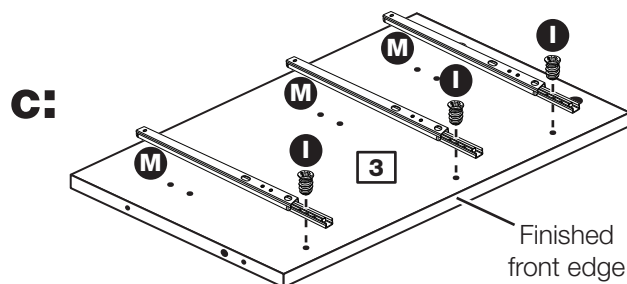
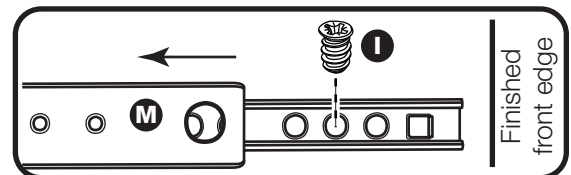
d: Slide the runner back the other way and fit the 2nd screw **I** into the corresponding hole in the upright **3**.

Insert 2 large locking nuts **B** into the upright **3**.

Tap 2 wooden dowels **D** into the upright **3**.



Turn the upright over



Assembly Instructions

Step 20

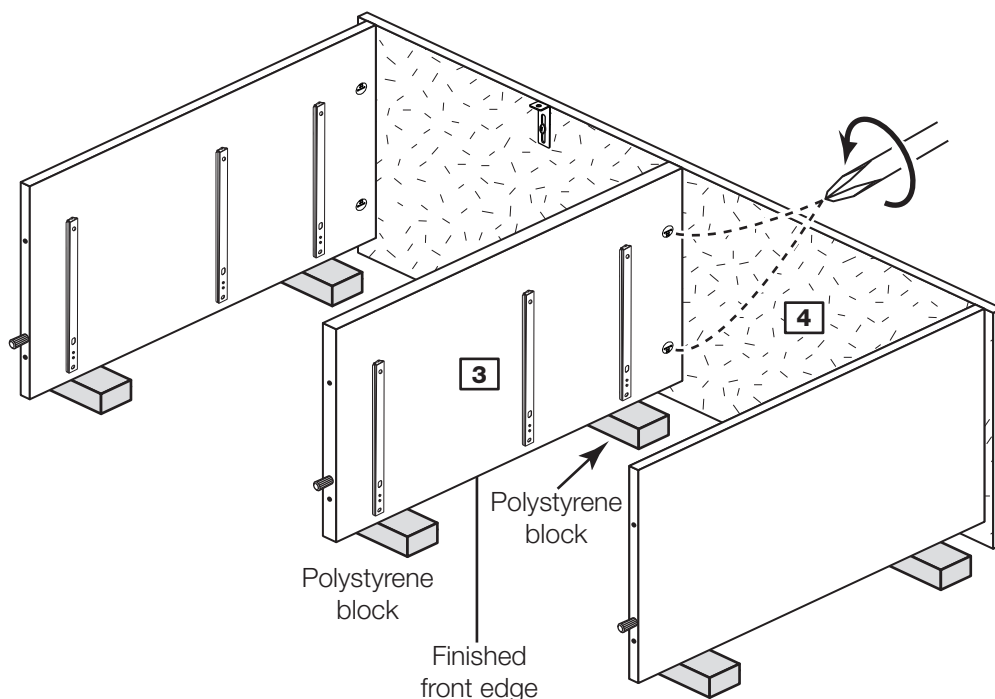
Fit the upright

Note: The 2 large locking nuts can be on either surface of the upright.

Push the upright **3** onto the top **4**.

Use a screwdriver to tighten the 2 large locking nuts **B** fitted to the upright **3**.

Note: Place polystyrene blocks underneath the upright.



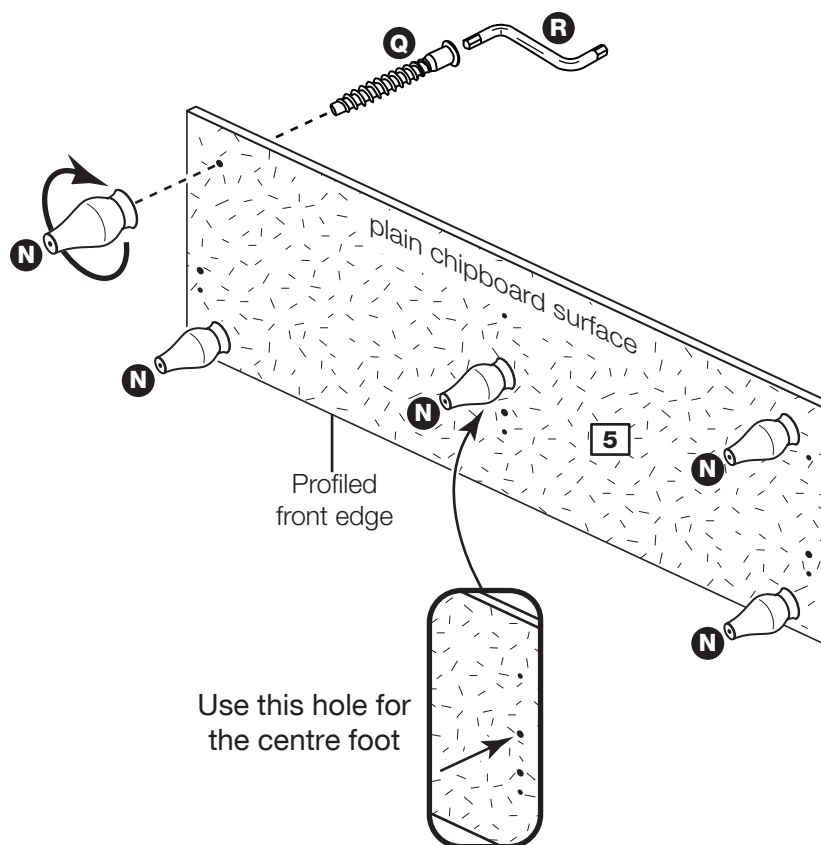
Step 21

Prepare the base

Note: Do not use the holes nearest the edge of the panel to fit the feet.

Fit the 5 feet **N** to the base **5** using screws **Q** and tighten them using the allen key **R**.

Note: You may find it easier to turn the foot as the screw is held with the allen key.

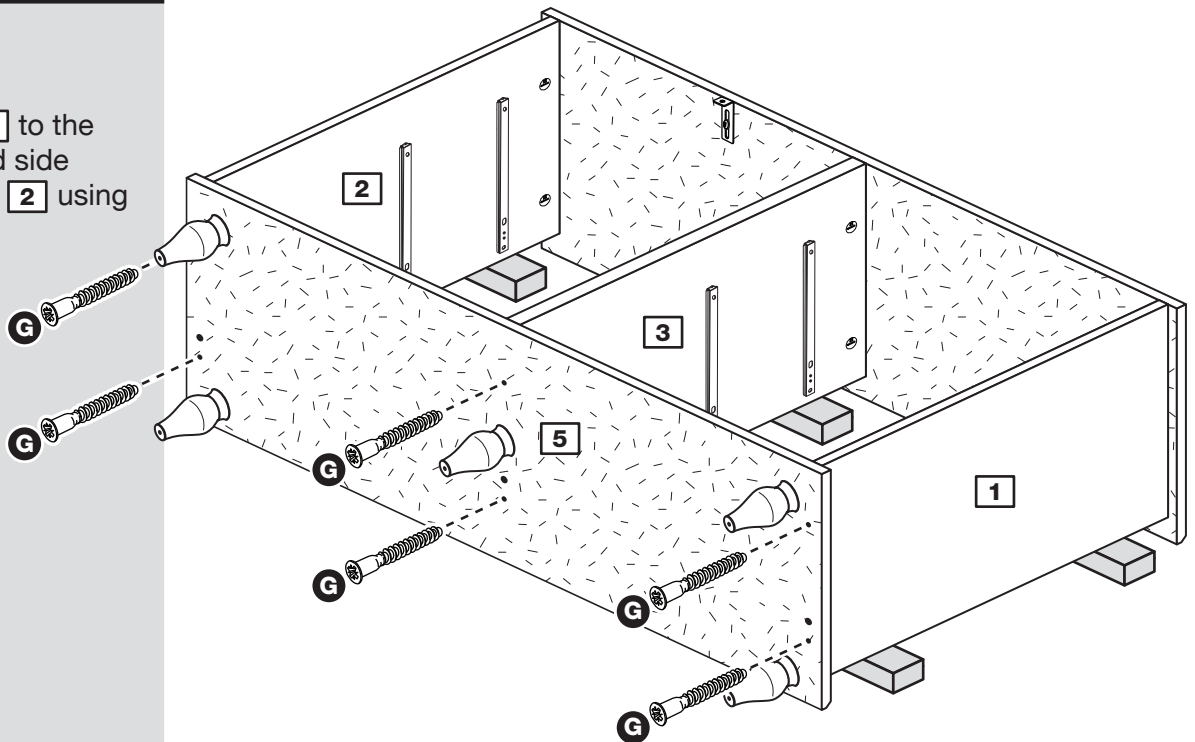


Assembly Instructions

Step 22

Fit the base

Fit the base **5** to the upright **3** and side panels **1** and **2** using 6 screws **G**.



Step 23

Fit the back

a: Square up the unit by making sure that measurement **x** to **x** equals **y** to **y**.

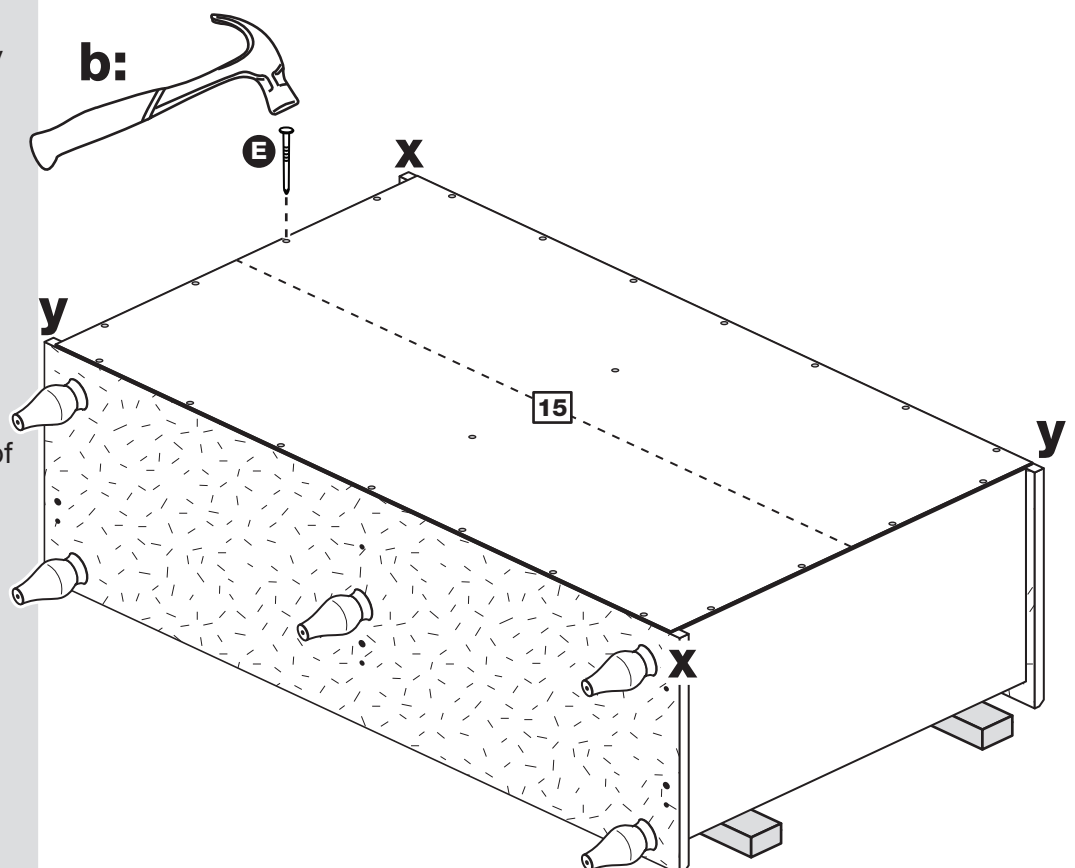
b: Place the back **15** onto the unit.

Nail **E** around the outside edges of the back **15**, leaving 2 to nail into the back edge of the upright.

Note: Nails should be spaced out evenly.

Stand the unit up for the next step.

a: The measurement from top corner X to bottom corner X must be equal to the measurement from top corner Y to bottom corner Y



Warning: The unit is heavy. Lift with care.

Assembly Instructions

Step 24

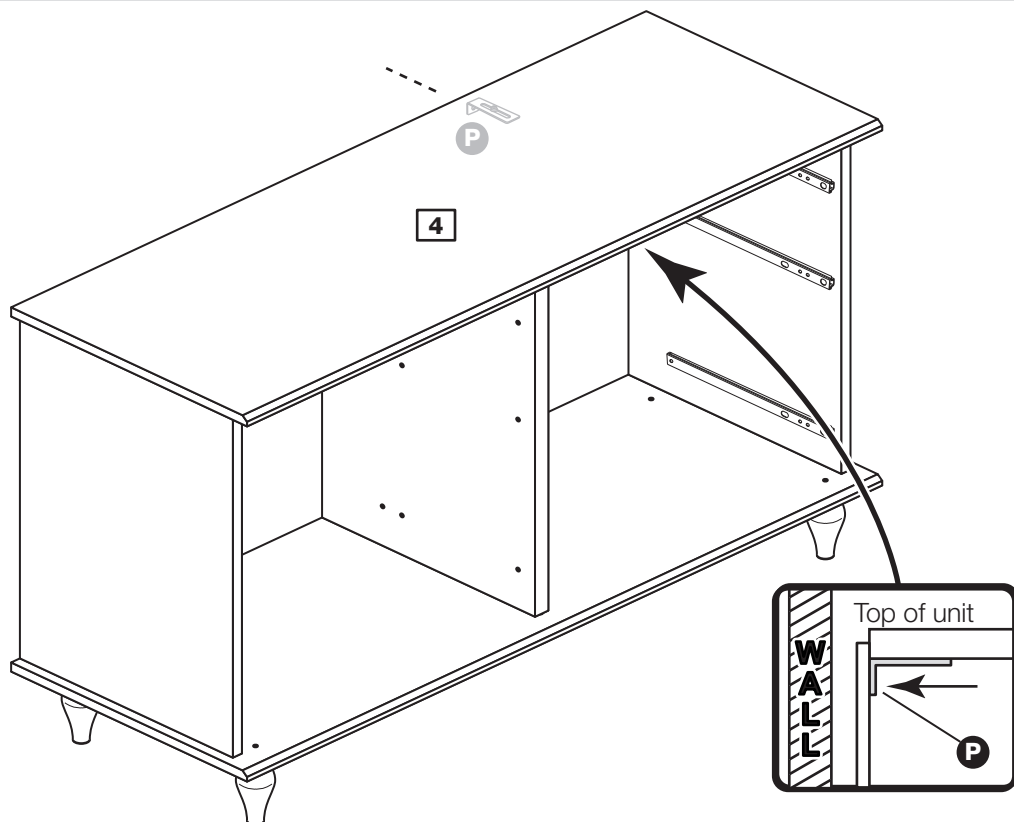
Secure unit to a wall

To prevent possible overbalancing we recommend that this unit is secured to a suitable wall by use of the metal bracket **P** fitted to the top **4**.

Fixings are not supplied as they will need to suit the wall type, and the length of screw will depend on the distance of the back of the unit to the wall.



Warning: Take care when drilling the wall that you do not drill into any pipes, wires etc. If in doubt, consult an expert.



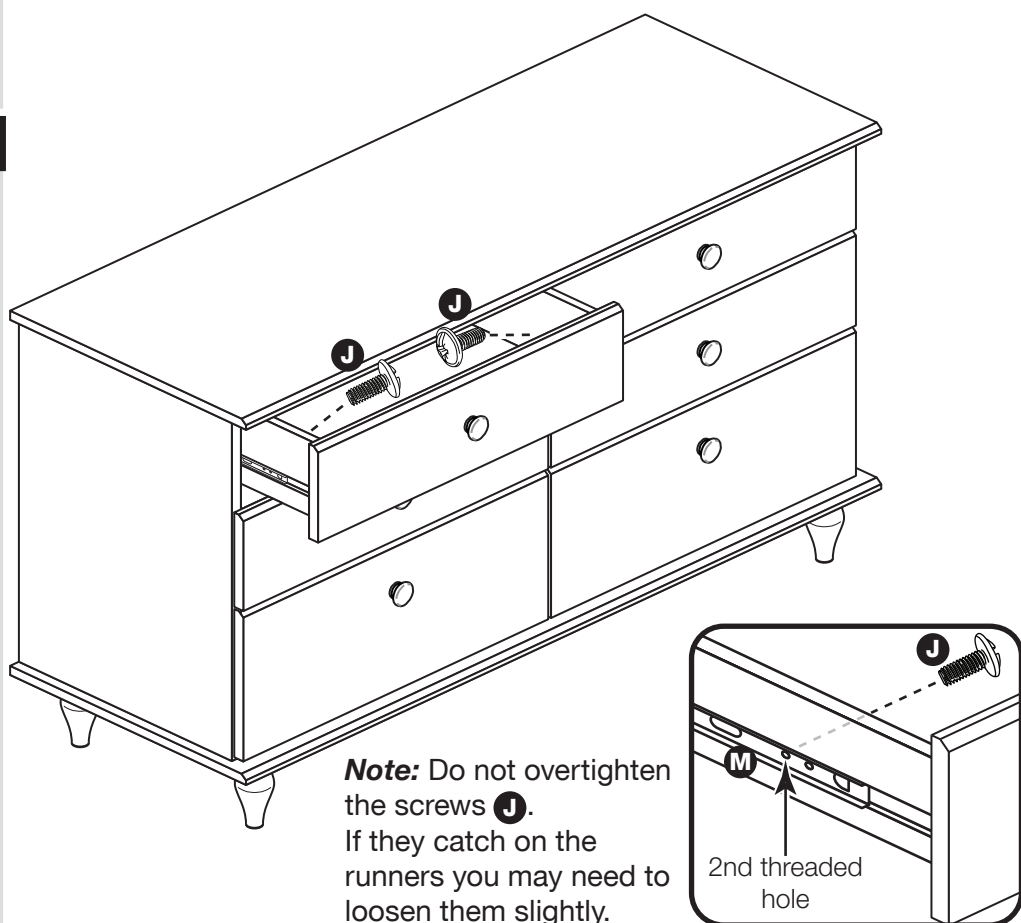
Step 25

Fit the drawers

Starting with the large bottom drawers, slide both the runners **M** forward and locate the drawer sides between them, lining up the holes in the drawer wrap with the 2nd 'threaded' holes in the runners **M**.

Working from the inside of the drawer, insert 2 screws **J** through the drawer sides and out into the 2nd threaded hole in the runner.

Assembly is complete



Note: Do not overtighten the screws **J**. If they catch on the runners you may need to loosen them slightly.

If you need help or have damaged or missing parts, call the **Customer Helpline: 08456 400800** and quote the reference numbers on the component pages.

Argos Ltd, 489-499 Avebury Boulevard, Central Milton Keynes, MK9 2NW