

New Sywell - 5 Drawer 1 Door Chest

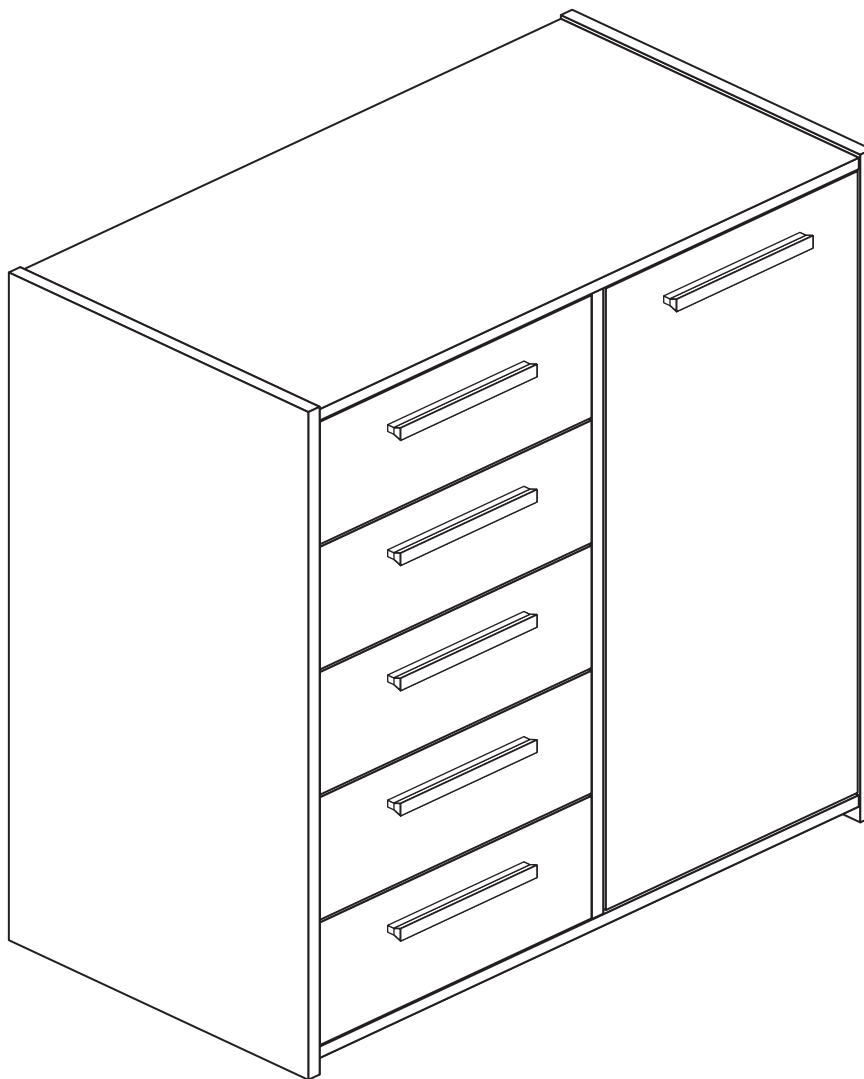
Assembly Instructions - Please keep for future reference

259/1892

282/6990

278/7589

278/1750



Dimensions

Width - 74.5cm

Depth - 40cm

Height - 88.5cm



**MADE IN
BRITAIN**

Important - Please read these instructions fully before starting assembly

If you need help or have damaged or missing parts, call the **Customer Helpline: 08456 400800**



Safety and Care Advice

Important - Please read these instructions fully before starting assembly

- **Warning:** This unit weighs approximately 32.5kgs. Please lift with care.

- Check you have all the components and tools listed on pages 2 and 3.

- Remove all fittings from the plastic bags and separate them into their groups.

- Keep children and animals away from the work area, small parts could choke if swallowed.

- Parts of the assembly will be easier with 2 people.

- Make sure you have enough space to layout the parts before starting.

- Do not stand or put weight on the product, this could cause damage.

- Assemble the item as close to its final position (in the same room) as possible.

- Assemble on a soft level surface to avoid damaging the unit or your floor (use opened out unit carton).



- We do not recommend the use of power drill/drivers **for inserting screws**, as this could damage the unit. Only use hand screwdrivers.

- **Safety note:** It is recommended that this unit is secured to a wall using the bracket supplied.

- Dispose of all packaging carefully and responsibly.

Care and maintenance

- Only clean using a damp cloth and mild detergent, do not use bleach or abrasive cleaners.

- From time to time check that there are no loose screws on this unit.

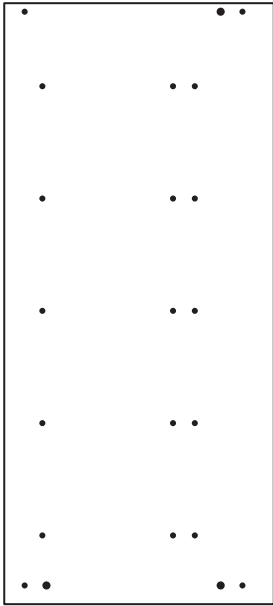
- This product should not be discarded with household waste. Take to your local authority waste disposal centre.

Note: If required the next page can be cut out and used as reference throughout the assembly. Keep this page with these instructions for future reference.

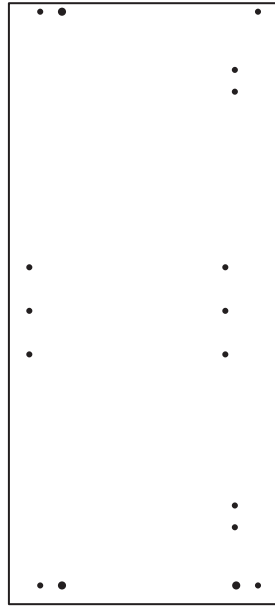
Components - Panels

If you have damaged or missing components, call the **Customer Helpline: 08456 400800** quoting the reference numbers below

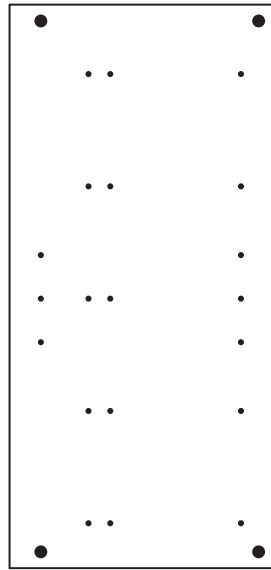
Please check you have all the panels listed below



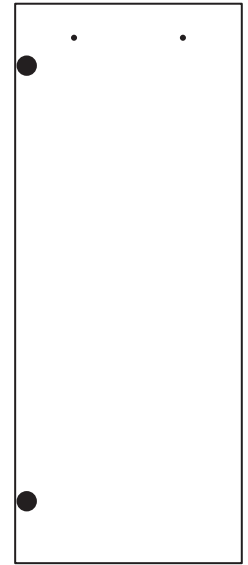
1 Left Side (D2596A)
(883 x 396mm)



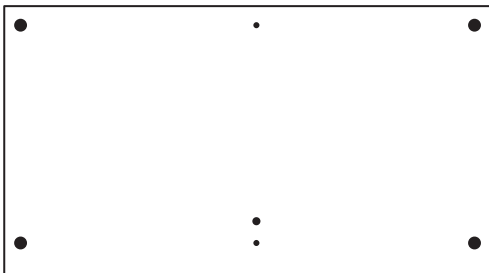
2 Right Side (D2553A)
(883 x 396mm)



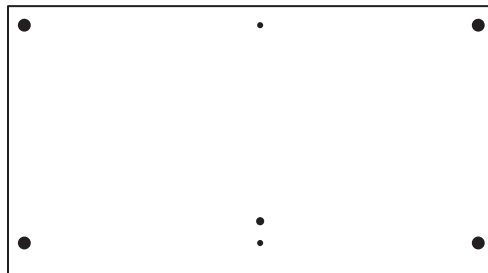
3 Divider (D2554A)
(828 x 393mm)



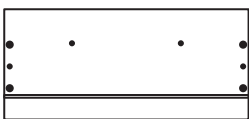
4 Door (D2556A)
(822 x 333mm)



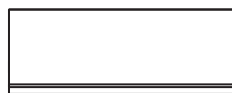
5 Top (D2551A)
(715 x 394mm)



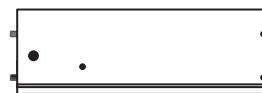
6 Base (D2557A)
(715 x 394mm)



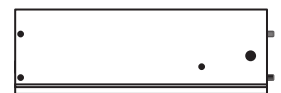
7 Drawer Front (D2545A)
(359 x 162mm) x 5



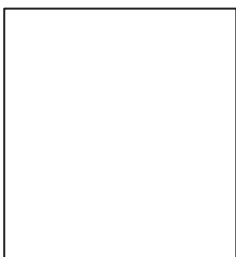
8 Drawer Back (W330-124)
(330 x 124mm) x 5



9 Left Drawer Side (W370-124LH)
(370 x 124mm) x 5



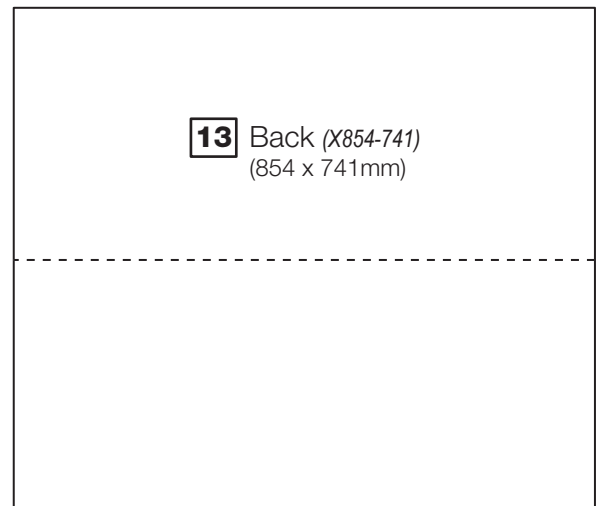
10 Right Drawer Side (W370-124RH)
(370 x 124mm) x 5



11 Drawer Base (T341-367)
(342 x 367mm) x 5



12 Shelf (D2558A)
(337 x 368mm)



13 Back (X854-741)
(854 x 741mm)


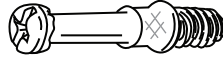





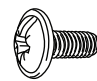


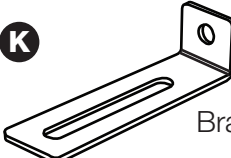
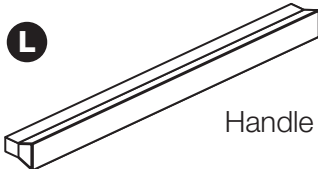
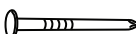
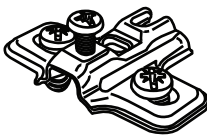
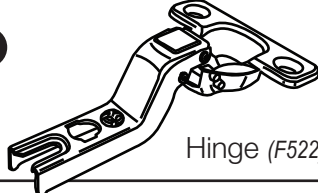






Components - Fittings

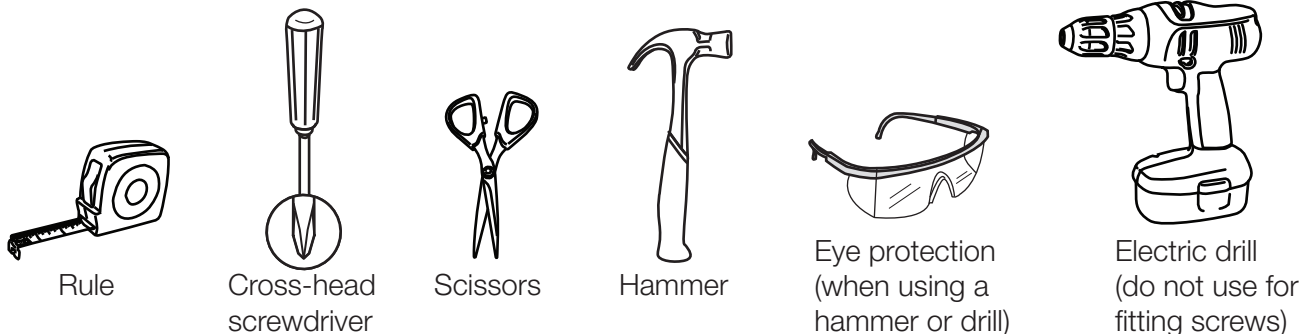
If you have damaged or missing components, call the **Customer Helpline: 08456 400800** quoting the reference numbers below

Please check you have all the fittings listed below

Note: The quantities below are the correct amount to complete the assembly. In some cases more fittings may be supplied than are required.

<p>A </p> <p>Wooden dowel (F22) x 8</p>	<p>B </p> <p>Metal dowel (F901) x 22</p>	<p>C </p> <p>Knock-in Peg (F171) x 20</p>
<p>D </p> <p>Large locking nut (F900) x 12</p>	<p>E </p> <p>Small locking nut (F3) x 10</p>	<p>F </p> <p>25mm Screw (F95) x 12</p>
<p>G </p> <p>13mm Screw (F79) x 1</p>	<p>H </p> <p>9mm Screw (F74) x 10</p>	<p>I </p> <p>9mm Screw (F73) x 20</p>
<p>J </p> <p>13mm Screw (F63) x 4</p>	<p>K </p> <p>Bracket (F327) x 1</p>	<p>L </p> <p>Handle (F315) x 6</p>
<p>M </p> <p>Nail (F51) x 22</p>	<p>N </p> <p>Hinge plate (F523) x 2</p>	<p>O </p> <p>Hinge (F522) x 2</p>
<p>P </p> <p>Drawer runner (F1004) x 10</p>		<p>Q </p> <p>Shelf support (F121) x 4</p>
<p>R </p> <p>Wedgefix (F639) x 10</p>		<p>S </p> <p>Plastic Nail (F91) x 4</p>

Tools required



Ruler - Use this ruler to help correctly identify the screws

mm 10 20 30 40 50 60 70 80 90 100 110 120 130 140 150 160 170

Assembly Instructions

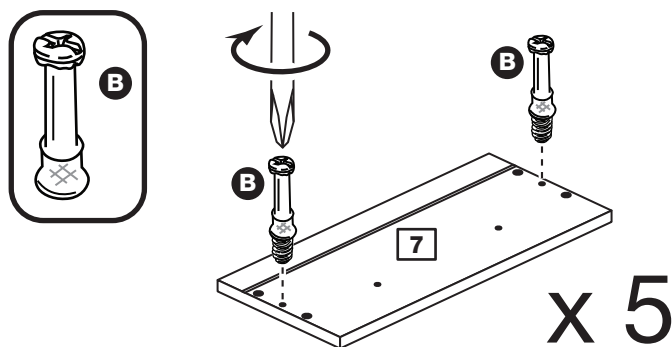
If you have damaged or missing components, call the
Customer Helpline: 08456 400800 quoting the reference
numbers below

Step 1

Prepare the drawer fronts

Screw 2 metal dowels **B** into the holes shown on the back of each drawer front **7**.

Note: Tighten the metal dowels up fully against the panels.

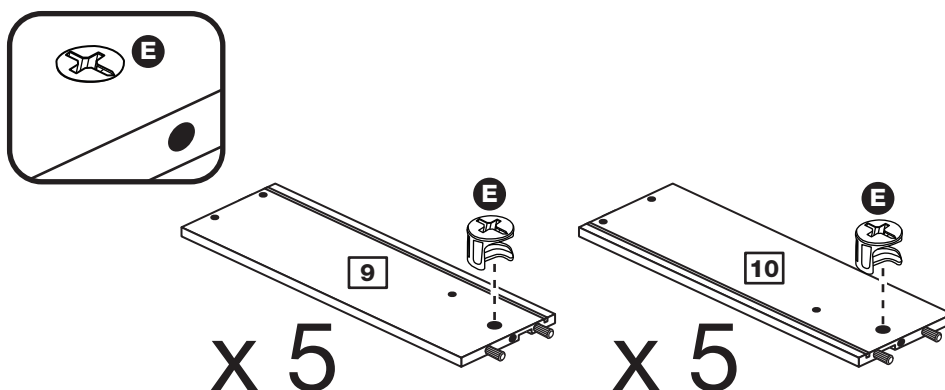


Step 2

Prepare the drawer sides

Insert a small locking nut **E** into the hole shown on the left drawer side **9** and right drawer side **10**.

Note: The arrow on the locking nut **must** point towards the hole in the edge of the panel.



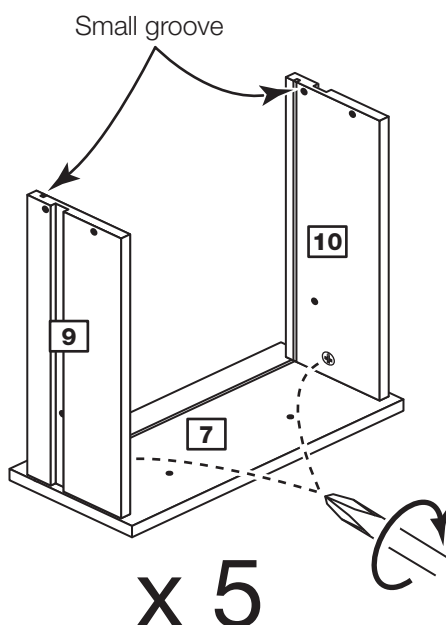
Step 3

Attach the drawer sides to the drawer front

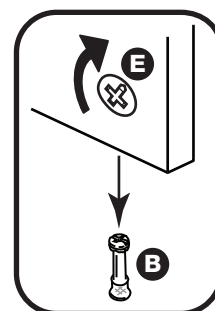
Push the left drawer side **9** and right drawer side **10** onto the back of the drawer front **7**.

Turn the small locking nuts **E** on the left drawer side **9** and right drawer side **10**.

Note: Turn the locking nuts **E** clockwise to secure panels - more than 1/2 a turn.



Note: The locking nuts can be on either surface of the drawer sides. Make sure that the small groove is on the inside, as shown.

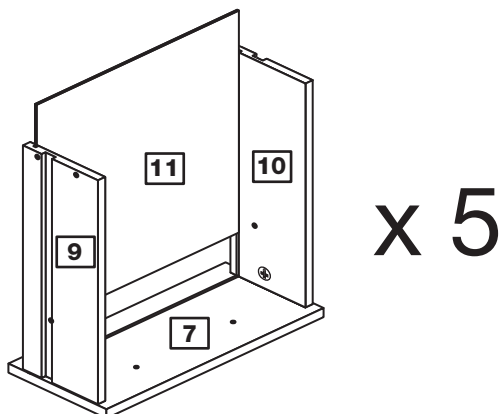


Assembly Instructions

Step 4

Fit the drawer base

Slide the drawer base **11** down the grooves in the drawer sides **9** and **10** and down into the groove in the drawer front **7**.



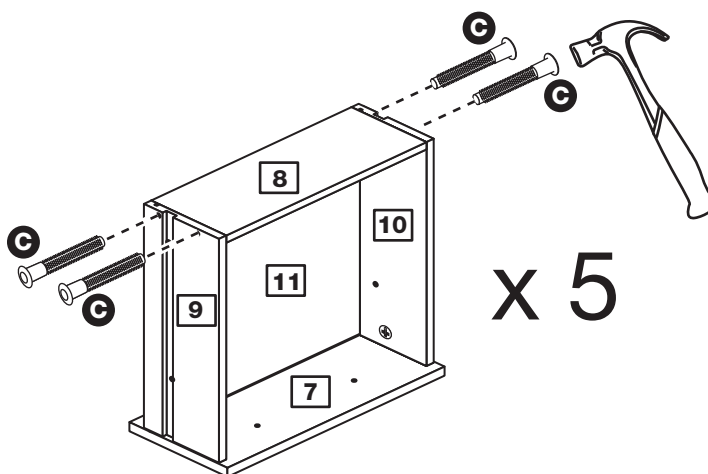
Step 5

Fit the drawer back

Fit the drawer back **8** down onto the drawer base **11**.

Make sure that the drawer base **11** fits into the groove in the drawer back **8**.

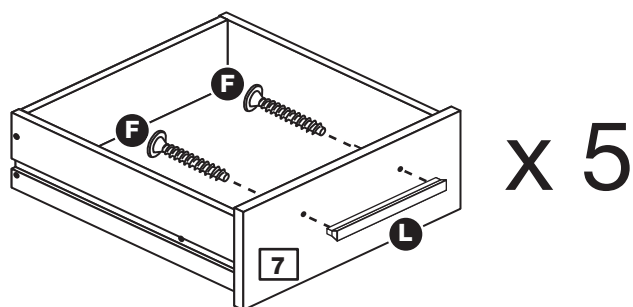
Hold the drawer back **8** in position and tap the knock-in pegs **C** through the holes in the drawer sides **9** and **10**.



Step 6

Attach the handles

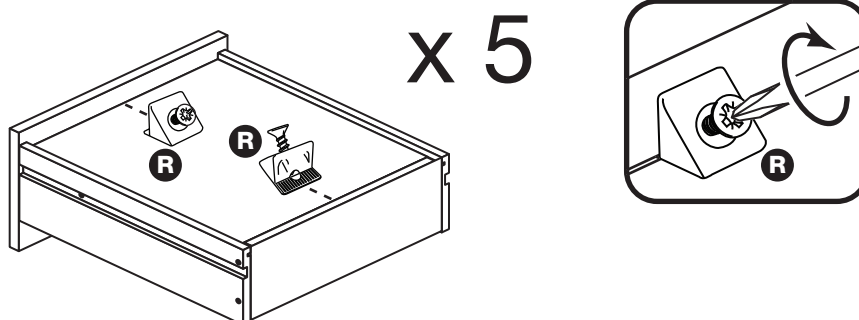
Attach a handle **L** to each drawer front **7** using 2 screws **F**.



Step 7

Fit the wedgifixes

Turn the drawer assemblies over and slide 2 wedgifixes **R** into the front and back grooves, as shown, and tighten up the screws.



Assembly Instructions

Step 8

Prepare the base

a: Tap 4 wooden dowels **A** into the base **6**.

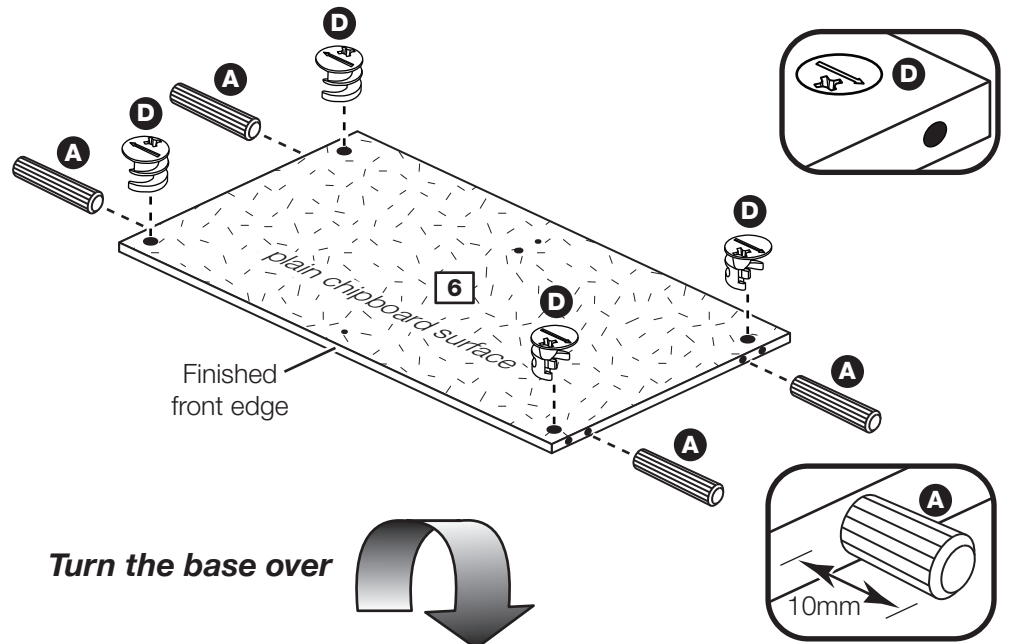
Note: Wooden dowels **must not** stick out from the edge by more than 10mm or they may damage other panels.

Insert 4 large locking nuts **D** into the base **6**.

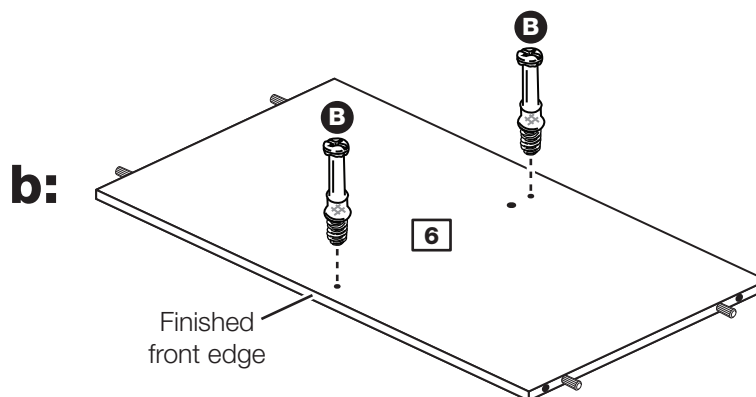
Note: The arrow on the locking nut **must** point towards the hole in the edge of the panel.

Turn the base over

b: Screw 2 metal dowels **B** into the base **6**.



Turn the base over



Step 9

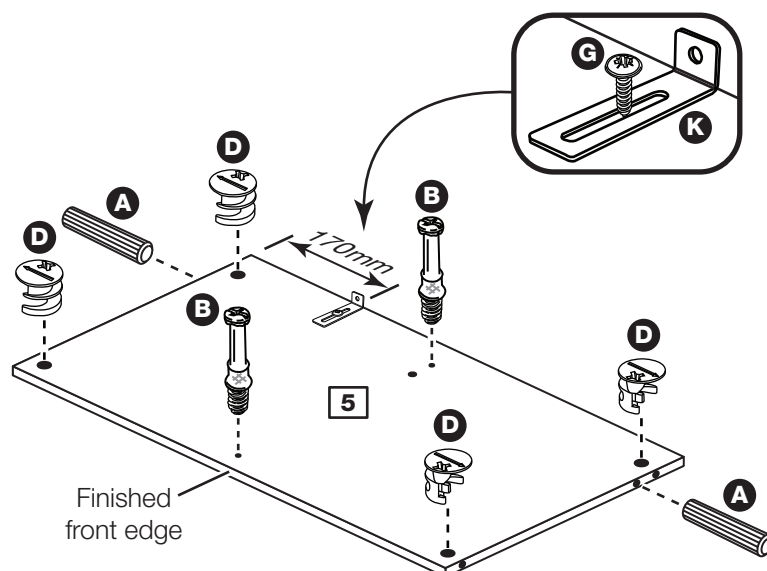
Prepare the top

Tap 2 wooden dowels **A** into the top **5**.

Insert 4 large locking nuts **D** into the top **5**.

Screw 2 metal dowels **B** into the top **5**.

Fix the bracket **K** 170mm in from the side and flush to the back edge using screw **G**.



Assembly Instructions

Step 10

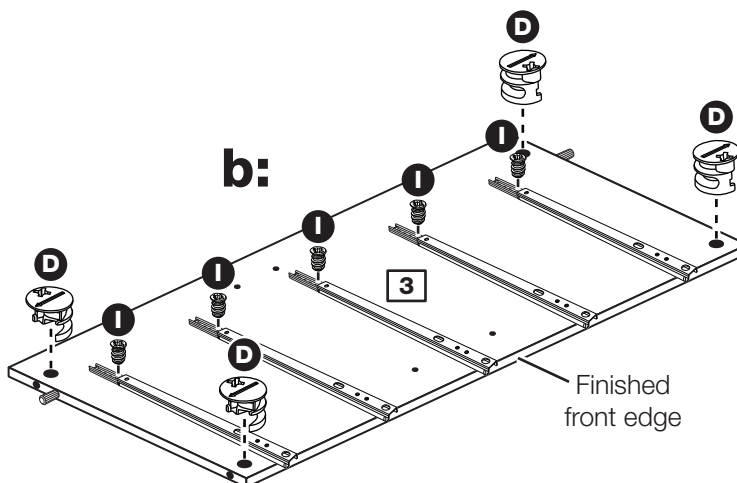
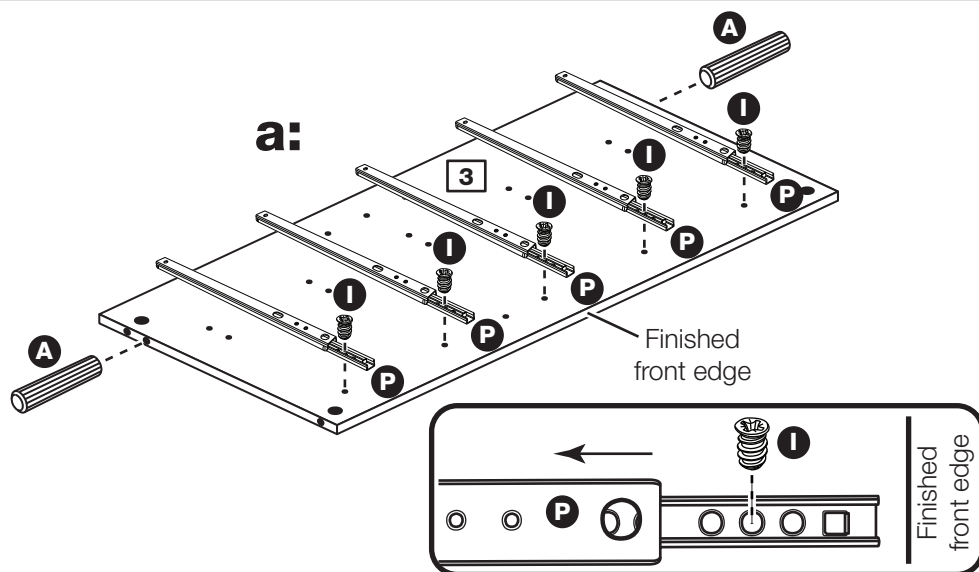
Prepare the divider

a: Place 5 runners **P** on the divider **3**. Slide back the top of the runner and use the 2nd hole from the front to fit the 1st screw **I**.

Tap 2 wooden dowels **A** into the divider **3**.

b: Slide the runners **P** back the other way and fit the 2nd screw **I** into the corresponding hole in the divider **3**.

Insert 4 large locking nuts **D** into the divider **3**.



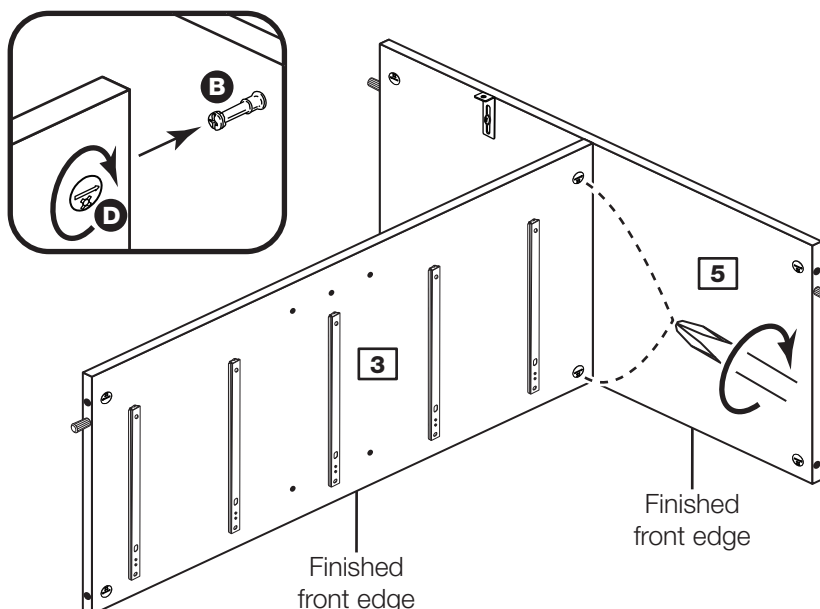
Step 11

Fit the top to the divider

Push the top **5** onto the divider **3**.

Use a screwdriver to tighten the 2 large locking nuts **D** fitted to the divider **3**.

Note: Turn the large locking nuts **D** as far as they will go - more than 1/2 a turn.



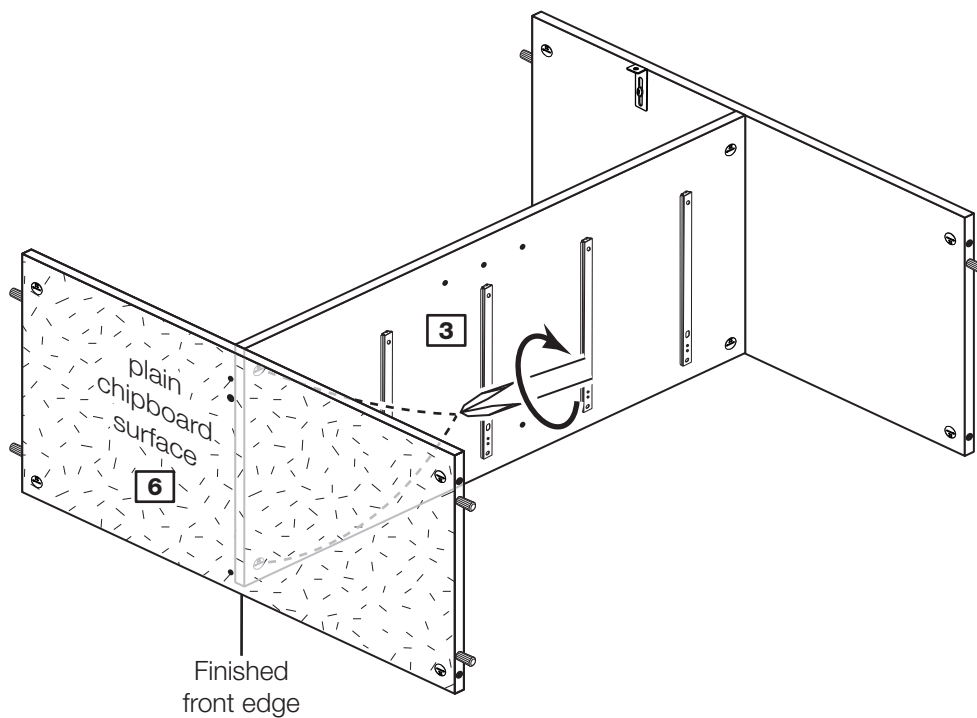
Assembly Instructions

Step 12

Fit the base

Push the base **6** onto the divider **3**.

Use a screwdriver to tighten the 2 large locking nuts **D** fitted to the divider **3**.

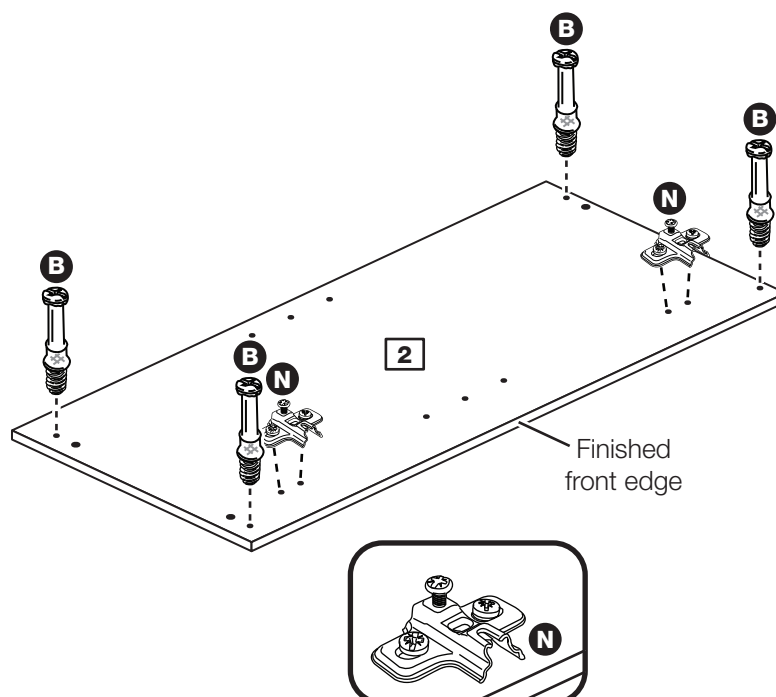


Step 13

Prepare the right side

Screw 4 metal dowels **B** into the right side **2**.

Fit 2 hinge plates **N** onto the right side **2**, making sure that the slot is facing towards the finished front edge.



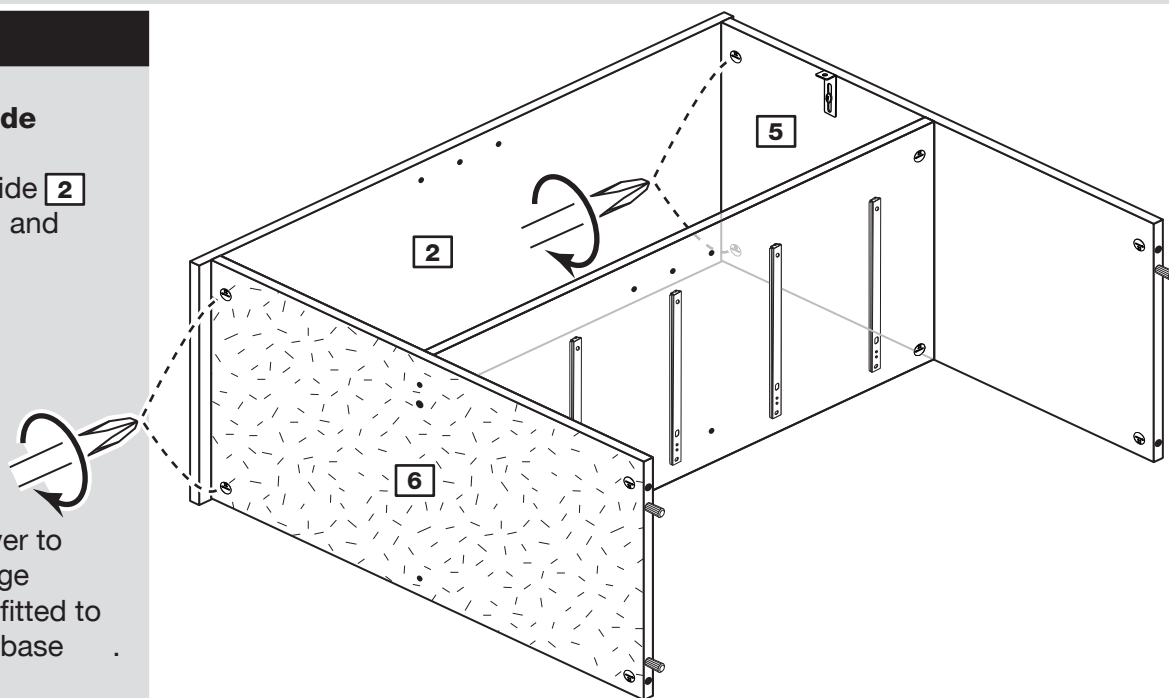
Assembly Instructions

Step 14

Fit the right side

Push the right side **2** onto the top **5** and base **6**.

Use a screwdriver to tighten the 4 large locking nuts **D** fitted to the top **5** and base



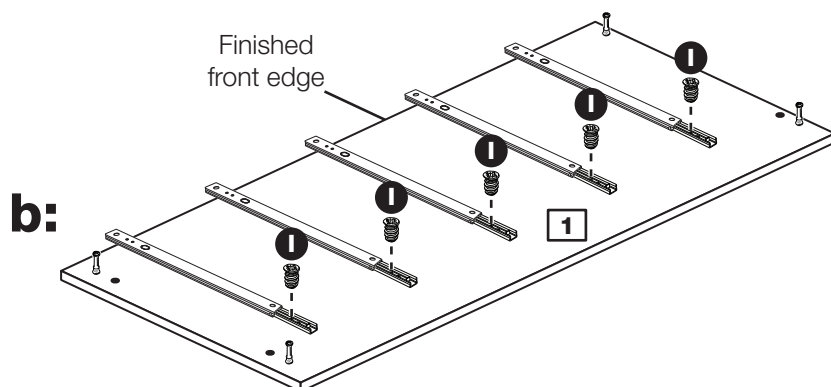
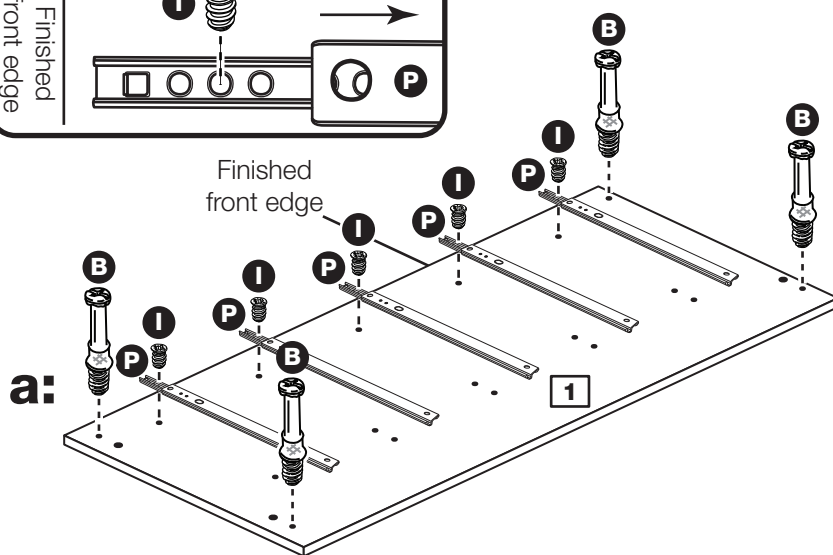
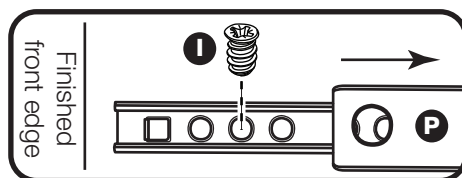
Step 15

Prepare the left side

a: Place 5 runners **P** on the left side **1**. Slide back the top of the runner and use the 2nd hole from the front to fit the 1st screw **I**.

Screw 4 metal dowels **B** into the left side **1**.

b: Slide the runner **P** back the other way and fit the 2nd screw **I** into the corresponding hole in the left side **1**.



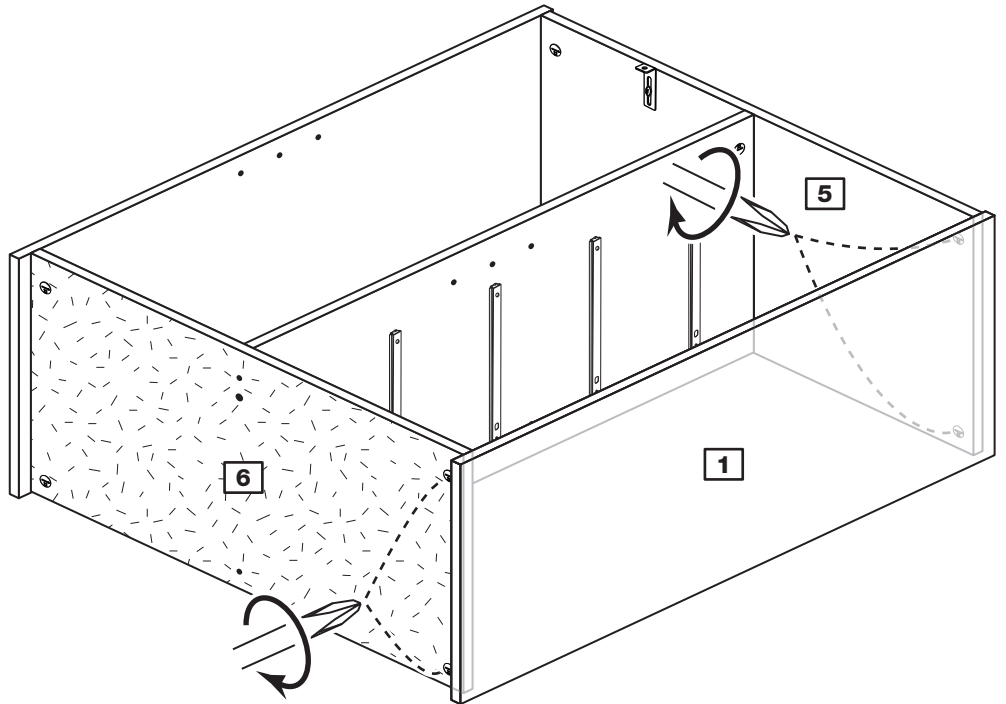
Assembly Instructions

Step 16

Fit the left side

Push the left side **1** onto the assembly.

Use a screwdriver to tighten the 4 large locking nuts **D** fitted to the top **5** and base **6**.



Step 17

Fit the back

a: Square up the unit by making sure that measurement **x to x** equals **y to y**.

b: Place the back **13** onto the unit, as shown.

Nail **M** around the outside edges of the back **13**.

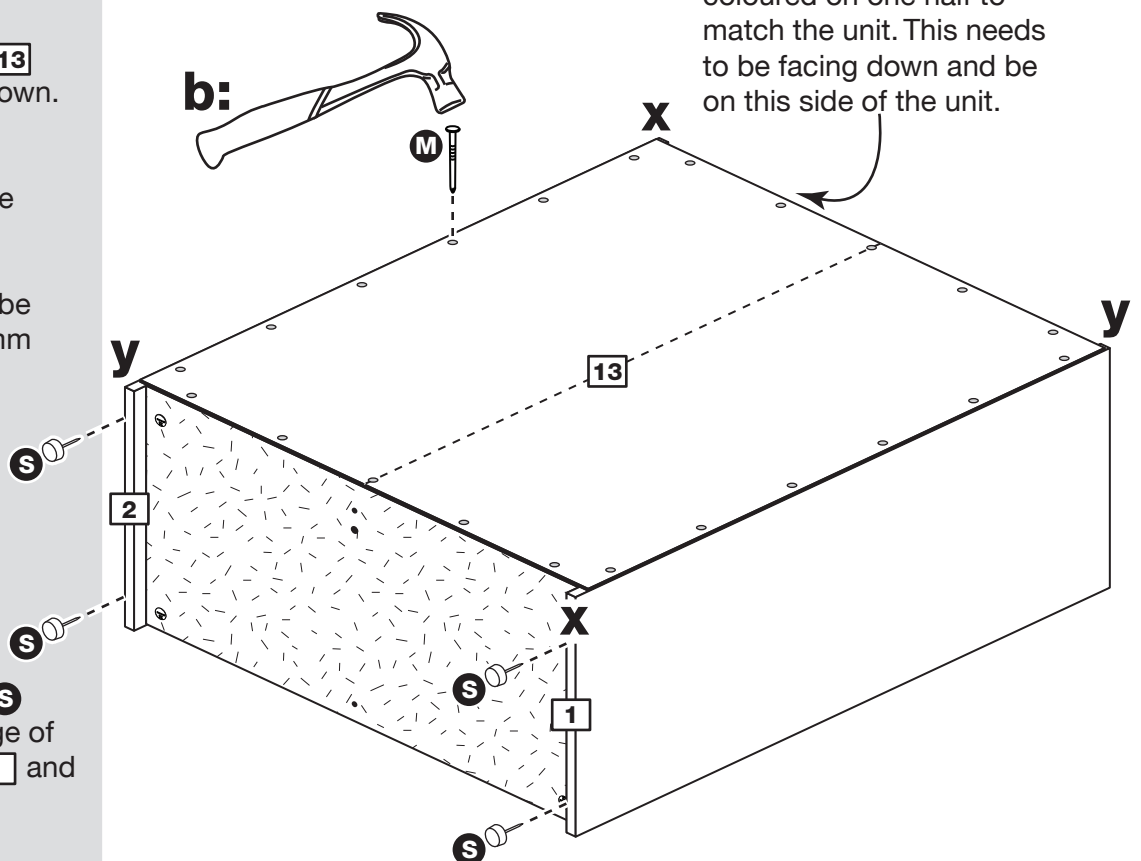
Note: Nails should be spaced about 150mm apart.

Tap 2 plastic nails **S** into the bottom edge of each of the sides **1** and **2**.

Stand the unit up for the next step.

a: The measurement from top corner X to bottom corner X must be equal to the measurement from top corner Y to bottom corner Y

1 surface of the back is coloured on one half to match the unit. This needs to be facing down and be on this side of the unit.



Assembly Instructions

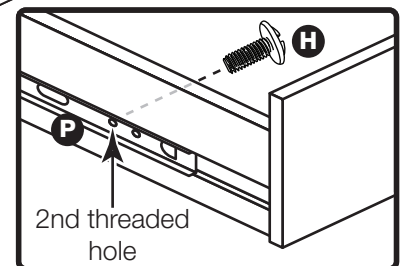
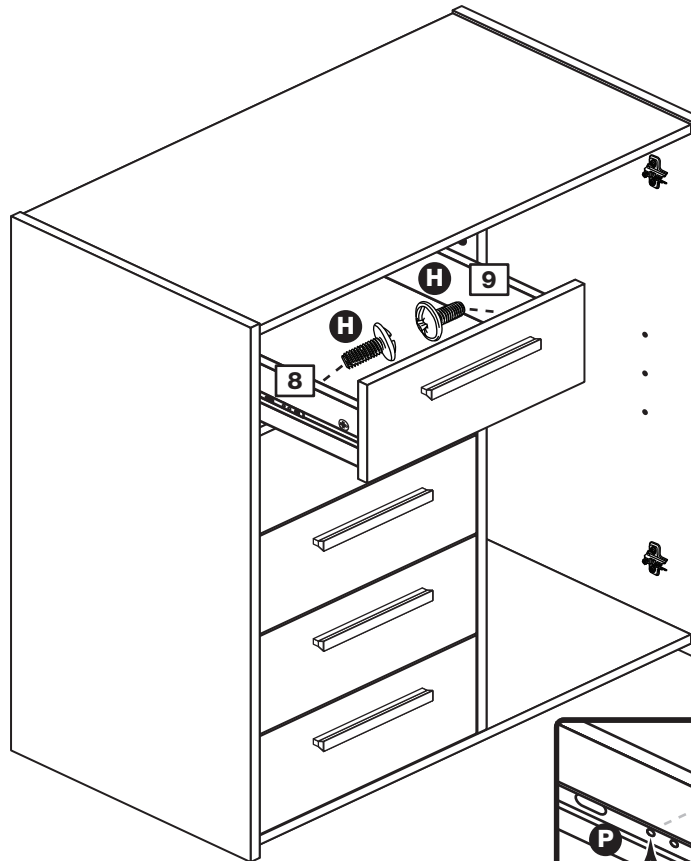
Step 18

Fit the drawers

Starting with the bottom drawer, slide both the runners **P** forward and locate the drawer sides **8** and **9** between them, lining up the holes in the drawer wrap with the 2nd 'threaded' holes in the runners **P**.

Working from the inside of the drawer, insert 2 screws **H** through the sides and out into the 2nd threaded hole in the runner.

Note: Do not over-tighten the screws **H. If they catch on the runner you may need to loosen them slightly.**



Step 19

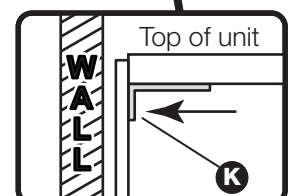
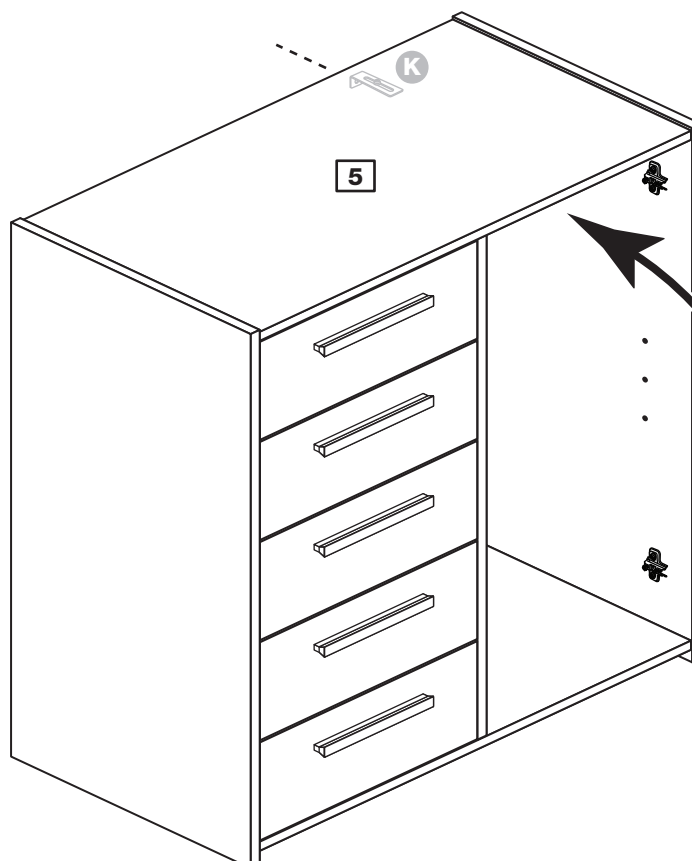
Secure unit to a wall

To prevent possible overbalancing we recommend that this unit is secured to a suitable wall by use of the metal bracket **K** fitted to the top **5**.

Fixings are not supplied as they will need to suit the wall type, and the length of screw will depend on the distance of the back of the unit to the wall.



Warning: Take care when drilling the wall that you do not drill into any pipes, wires etc. If in doubt, consult an expert.



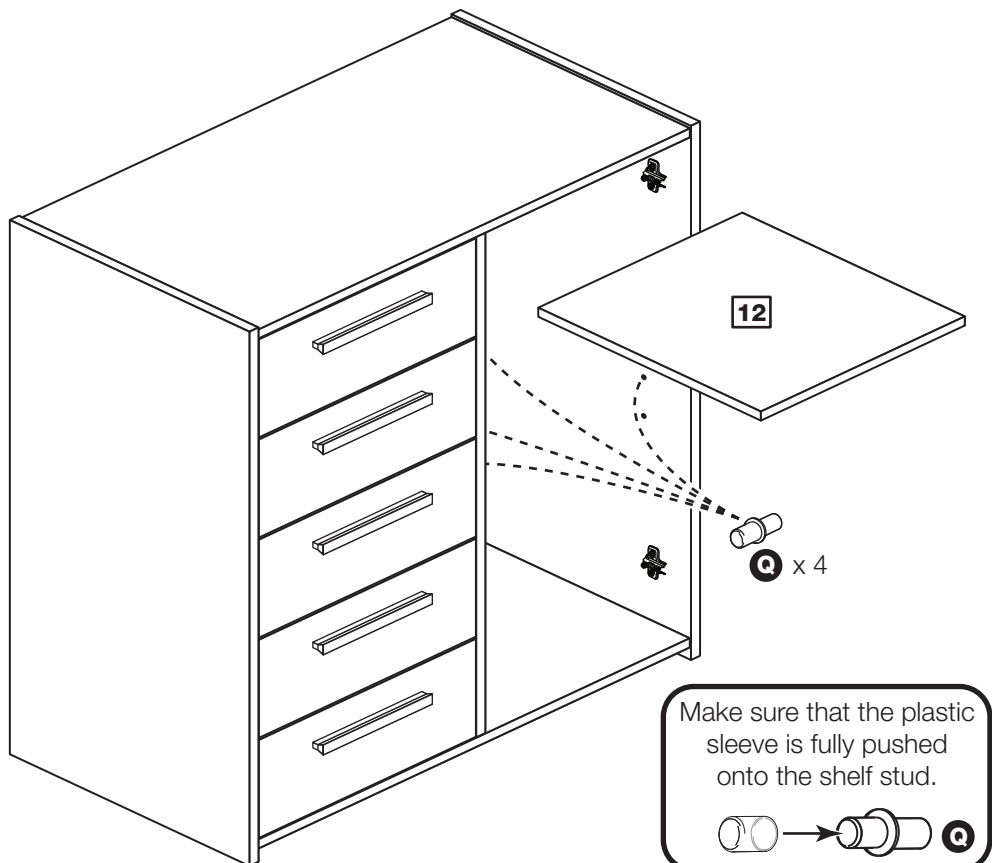
Assembly Instructions

Step 20

Fit the shelf

Insert the 4 shelf studs **Q** at the required height.

Lower the shelf **12** down onto the shelf studs **Q**.



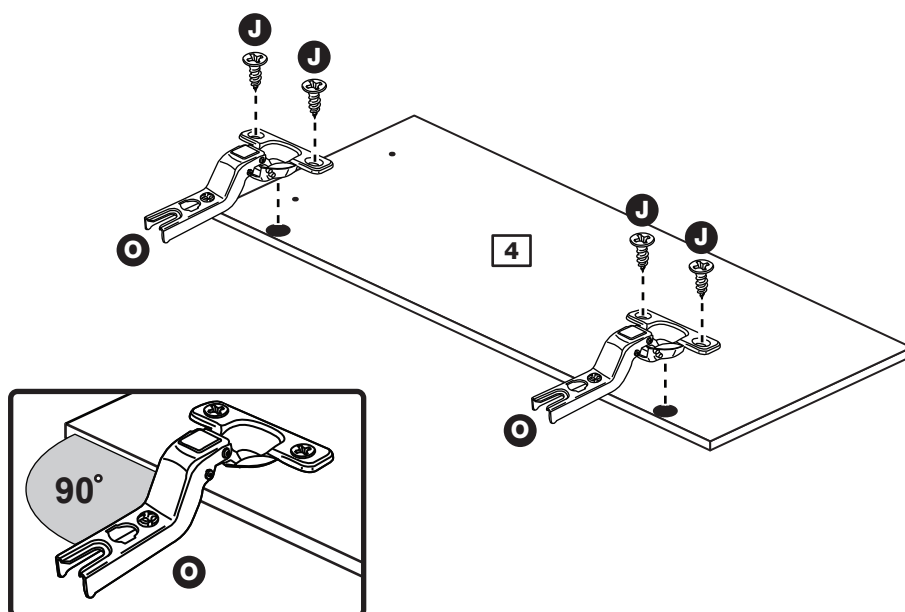
Step 21

Prepare the door

Push fit 2 hinges **O** into the door **4**.

Secure each hinge with 2 screws **J**.

Note: Before securing with the screws, make sure that the hinges are positioned at 90 degrees with the edge of the door.



Assembly Instructions

Step 22

Fit door and handle

Note: The easiest way to attach the door **4** is to fit the top hinge first, then align and fit the other hinges.

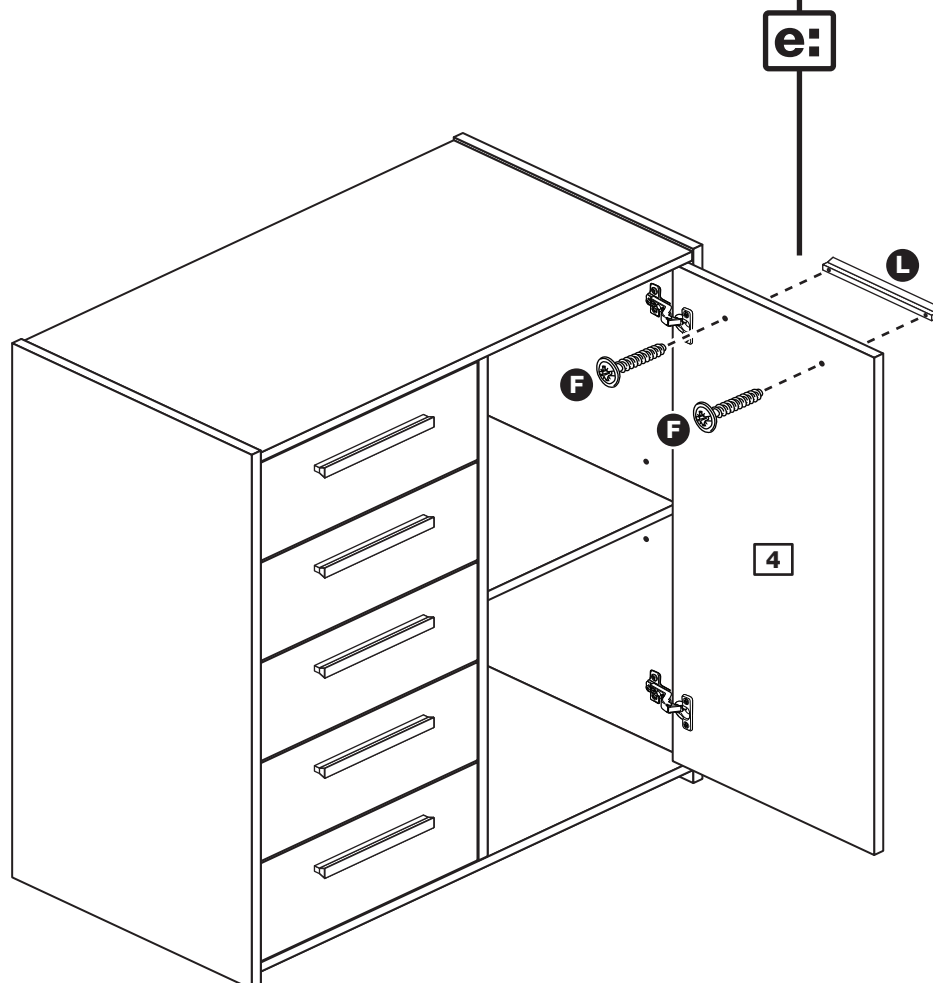
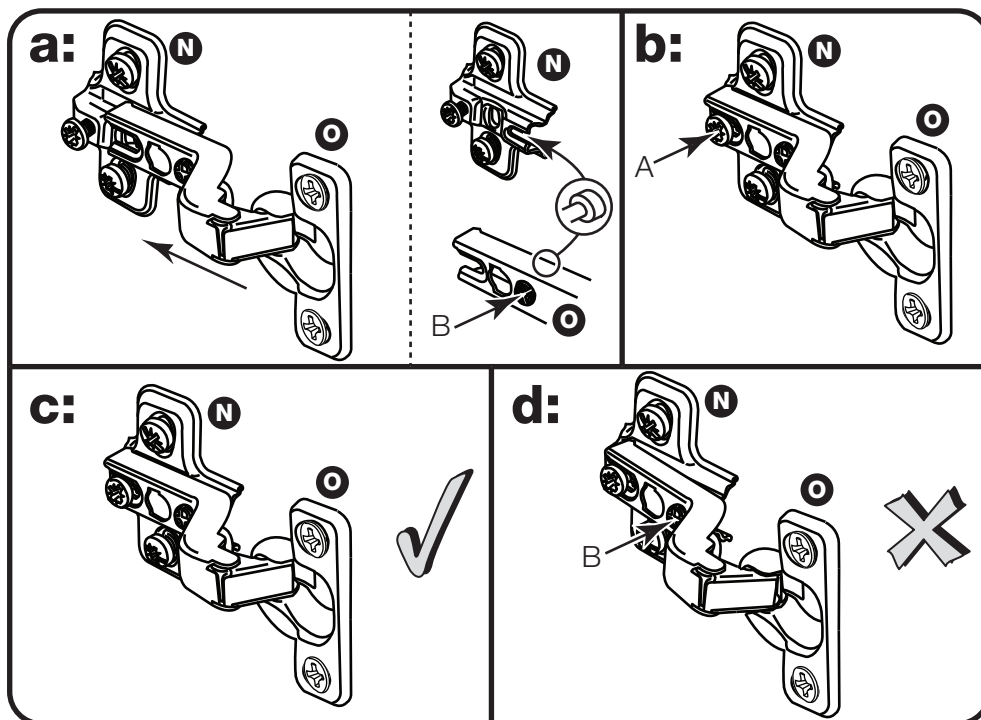
a: Push the hinge **O** onto the front part of the hinge plate **N**. The recess at the bottom of screw B goes into the slot in the hinge plate.

b: Keep the hinge **O** FLAT against the hinge plate **N** as you slide it across as far as it will go. Tighten screw A.

c: The hinge **O** must be flat against the hinge plate **N** prior to any adjustment.

d: The hinge **O** must NOT be AT AN ANGLE to the hinge plate **N** when assembled. This would indicate that the recess at the bottom of screw B had not located in the slot in the hinge plate and the hinge would not be secure. Remove the hinge from the hinge plate and then re-assemble being careful to follow instructions a-c.

e: Attach the handle **L** to the door **4** using 2 screws **F**.



Assembly Instructions

Step 23

Adjust the door if needed

a: Before adjusting the door, use a spirit level to check the top (or base) of the unit is level, front-to-back and side-to-side in the 3 positions shown. Use suitable packing pieces (not supplied) to make the unit level BEFORE making any adjustment to the hinges, as shown.

b: Height adjustment.

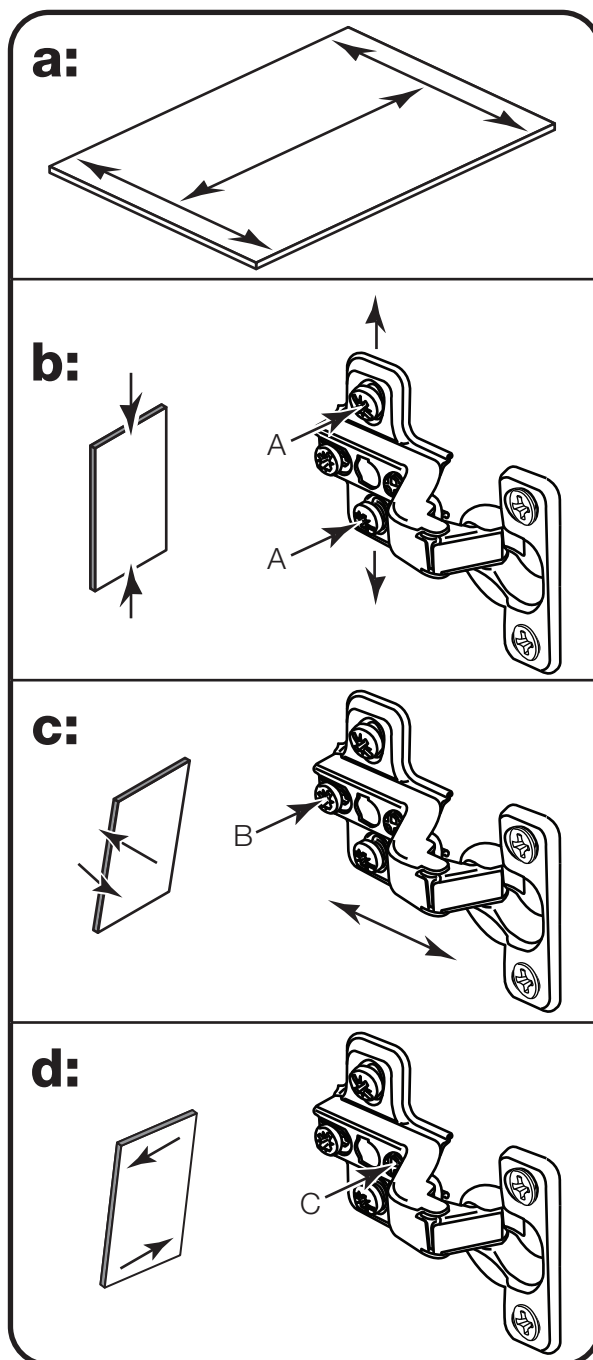
Loosen screws A on hinge plates and move door up or down as required. Retighten screw A.

c: Forward and Back adjustment.

Loosen screw B on hinge plate and move door in or out as required. Retighten screw B.

d: Sideways adjustment.

To move door 'out' loosen screw C. To move door 'in' tighten screw C.



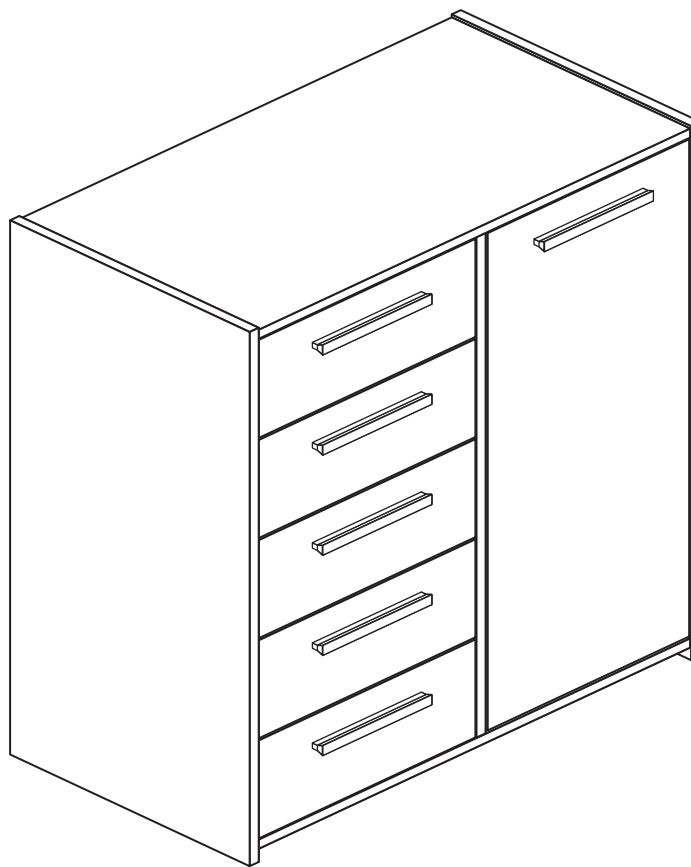
Assembly Instructions

Step 24

Assembly is complete



Warning: The unit is heavy. Lift with care.



If you need help or have damaged or missing parts, call the **Customer Helpline: 08456 400800** and quote the reference numbers on the component pages.

Argos Ltd, 489-499 Avebury Boulevard, Central Milton Keynes, MK9 2NW

New Sywell - 5 Drawer 1 Door Chest

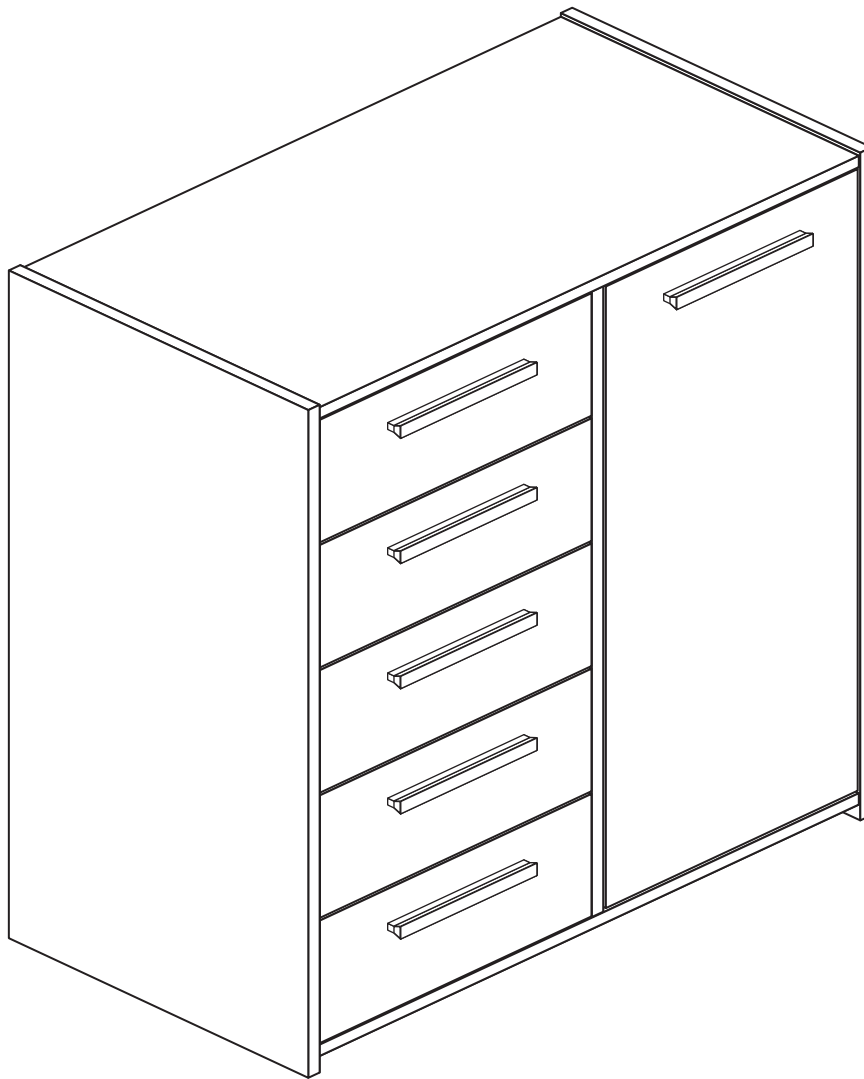
Assembly Instructions - Please keep for future reference

259/1892

282/6990

278/7589

278/1750



Dimensions

Width - 74.5cm

Depth - 40cm

Height - 88.5cm



**MADE IN
BRITAIN**

Important - Please read these instructions fully before starting assembly

If you need help or have damaged or missing parts, call the **Customer Helpline: 03456 400800**



Safety and Care Advice

Important - Please read these instructions fully before starting assembly

- **Warning:** This unit weighs approximately 32.5kgs. Please lift with care.

- Check you have all the components and tools listed on pages 2 and 3.

- Remove all fittings from the plastic bags and separate them into their groups.

- Keep children and animals away from the work area, small parts could choke if swallowed.

- Parts of the assembly will be easier with 2 people.

- Make sure you have enough space to layout the parts before starting.

- Do not stand or put weight on the product, this could cause damage.

- Assemble the item as close to its final position (in the same room) as possible.

- Assemble on a soft level surface to avoid damaging the unit or your floor (use opened out unit carton).



- We do not recommend the use of power drill/drivers **for inserting screws**, as this could damage the unit. Only use hand screwdrivers.

- **Safety note:** It is recommended that this unit is secured to a wall using the bracket supplied.

- Dispose of all packaging carefully and responsibly.

Care and maintenance

- Only clean using a damp cloth and mild detergent, do not use bleach or abrasive cleaners.

- From time to time check that there are no loose screws on this unit.

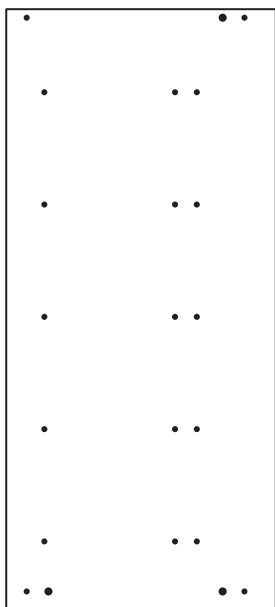
- This product should not be discarded with household waste. Take to your local authority waste disposal centre.

Note: If required the next page can be cut out and used as reference throughout the assembly. Keep this page with these instructions for future reference.

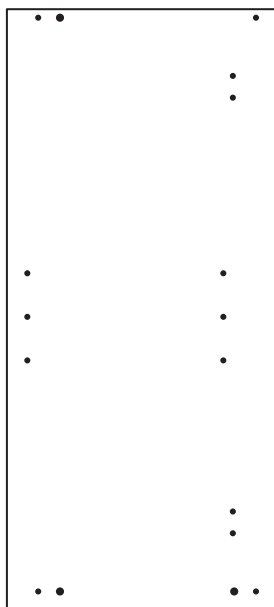
Components - Panels

If you have damaged or missing components, call the **Customer Helpline: 03456 400800** quoting the reference numbers below

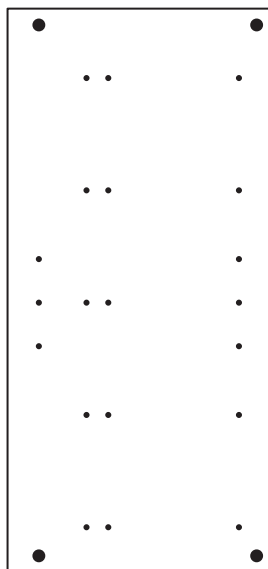
Please check you have all the panels listed below



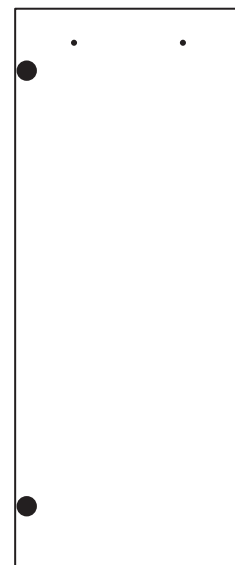
1 Left Side (D2596A)
(883 x 396mm)



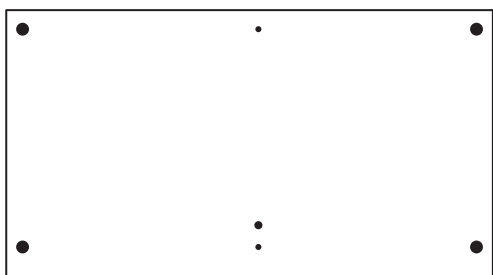
2 Right Side (D2553A)
(883 x 396mm)



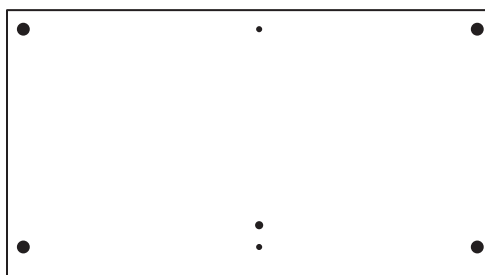
3 Divider (D2554A)
(828 x 393mm)



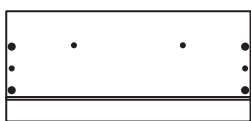
4 Door (D2556A)
(822 x 333mm)



5 Top (D2551A)
(715 x 394mm)



6 Base (D2557A)
(715 x 394mm)



7 Drawer Front (D2545A)
(359 x 162mm) x 5



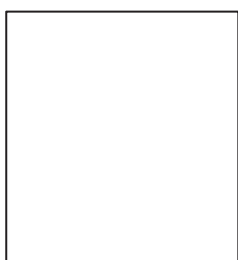
8 Drawer Back (W330-124)
(330 x 124mm) x 5



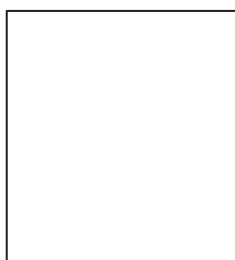
9 Left Drawer Side (W370-124LH)
(370 x 124mm) x 5



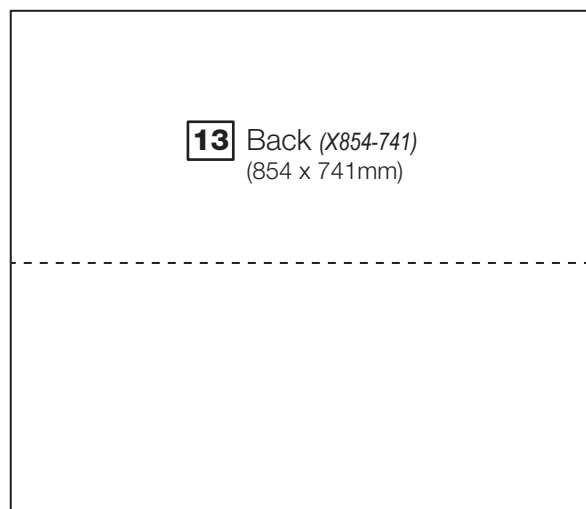
10 Right Drawer Side (W370-124RH)
(370 x 124mm) x 5



11 Drawer Base (T341-367)
(342 x 367mm) x 5



12 Shelf (D2558A)
(337 x 368mm)



13 Back (X854-741)
(854 x 741mm)


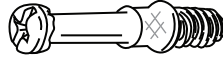





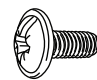



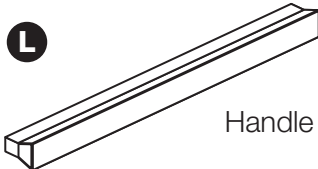
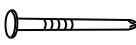
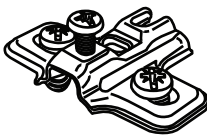
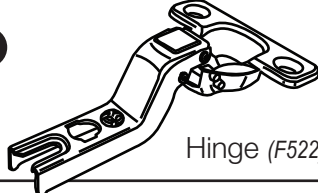


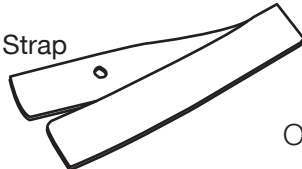




Components - Fittings

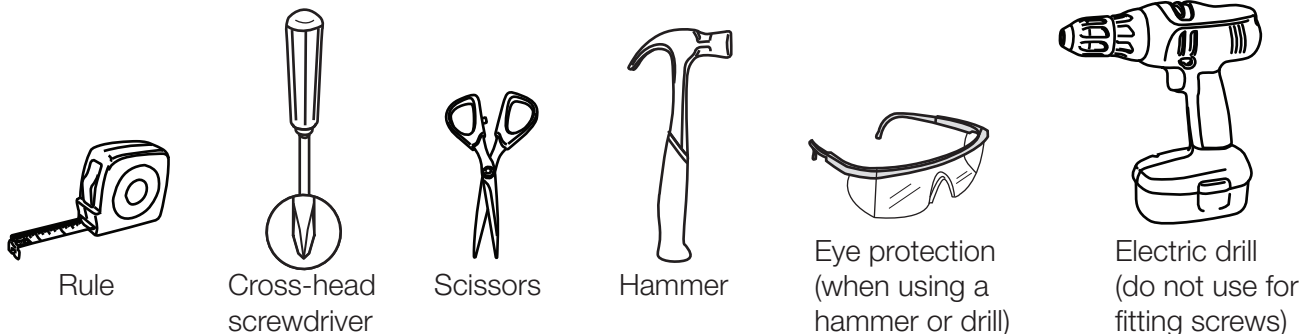
If you have damaged or missing components, call the **Customer Helpline: 03456 400800** quoting the reference numbers below

Please check you have all the fittings listed below

Note: The quantities below are the correct amount to complete the assembly. In some cases more fittings may be supplied than are required.

<p>A </p> <p>Wooden dowel (F22) x 8</p>	<p>B </p> <p>Metal dowel (F901) x 22</p>	<p>C </p> <p>Knock-in Peg (F171) x 20</p>	
<p>D </p> <p>Large locking nut (F900) x 12</p>	<p>E </p> <p>Small locking nut (F3) x 10</p>	<p>F </p> <p>25mm Screw (F95) x 12</p>	
<p>G </p> <p>13mm Screw (F63) x 4</p>	<p>H </p> <p>9mm Screw (F74) x 10</p>	<p>I </p> <p>9mm Screw (F73) x 20</p>	
<p>J </p> <p>Wedgex (F639) x 10</p>	<p>K </p> <p>Plastic Nail (F91) x 4</p>	<p>L </p> <p>Handle (F315) x 6</p>	
<p>M </p> <p>Nail (F51) x 22</p>	<p>N </p> <p>Hinge plate (F523) x 2</p>	<p>O </p> <p>Hinge (F522) x 2</p>	
<p>P </p> <p>Drawer runner (F1004) x 10</p>		<p>Q </p> <p>Shelf support (F121) x 4</p>	
<p>R   </p> <p>Strap Screw Washer x 2</p> <p>Overbalance protector kit (F269) x 1</p>			

Tools required



Ruler - Use this ruler to help correctly identify the screws

mm 10 20 30 40 50 60 70 80 90 100 110 120 130 140 150 160 170

Assembly Instructions

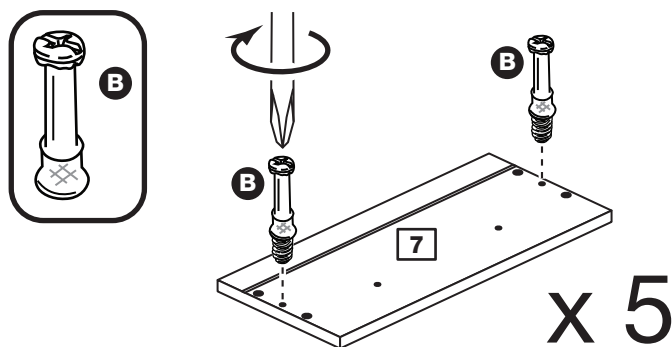
If you have damaged or missing components, call the **Customer Helpline: 03456 400800** quoting the reference numbers below

Step 1

Prepare the drawer fronts

Screw 2 metal dowels **B** into the holes shown on the back of each drawer front **7**.

Note: Tighten the metal dowels up fully against the panels.

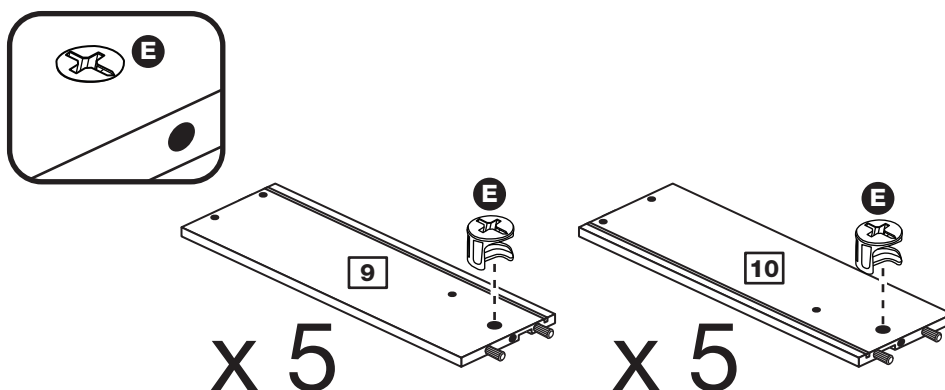


Step 2

Prepare the drawer sides

Insert a small locking nut **E** into the hole shown on the left drawer side **9** and right drawer side **10**.

Note: The arrow on the locking nut **must** point towards the hole in the edge of the panel.



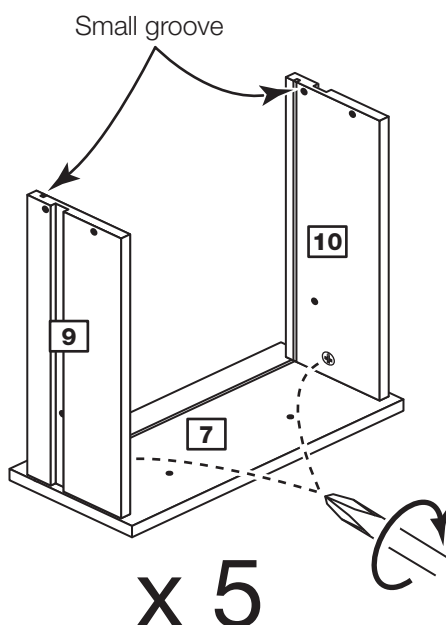
Step 3

Attach the drawer sides to the drawer front

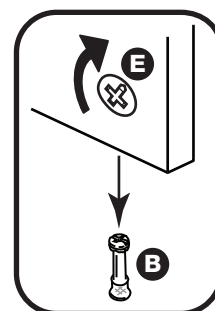
Push the left drawer side **9** and right drawer side **10** onto the back of the drawer front **7**.

Turn the small locking nuts **E** on the left drawer side **9** and right drawer side **10**.

Note: Turn the locking nuts **E** clockwise to secure panels - more than 1/2 a turn.



Note: The locking nuts can be on either surface of the drawer sides. Make sure that the small groove is on the inside, as shown.

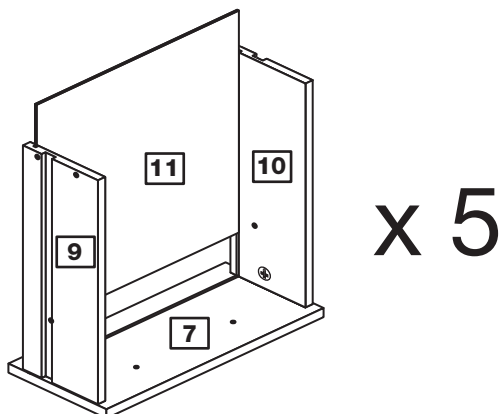


Assembly Instructions

Step 4

Fit the drawer base

Slide the drawer base **11** down the grooves in the drawer sides **9** and **10** and down into the groove in the drawer front **7**.



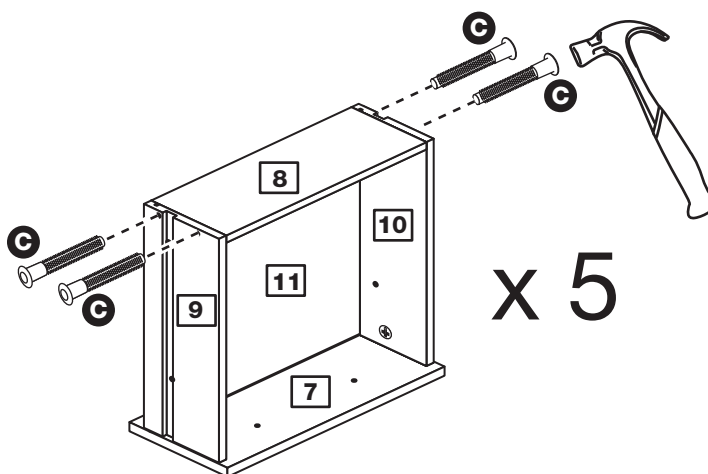
Step 5

Fit the drawer back

Fit the drawer back **8** down onto the drawer base **11**.

Make sure that the drawer base **11** fits into the groove in the drawer back **8**.

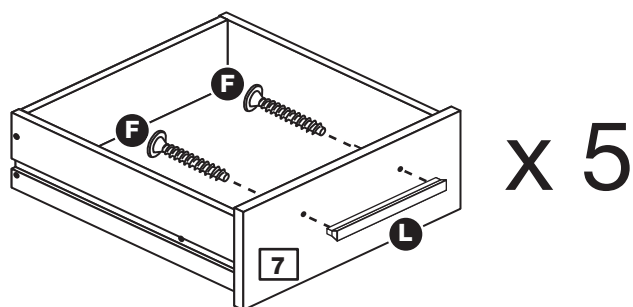
Hold the drawer back **8** in position and tap the knock-in pegs **C** through the holes in the drawer sides **9** and **10**.



Step 6

Attach the handles

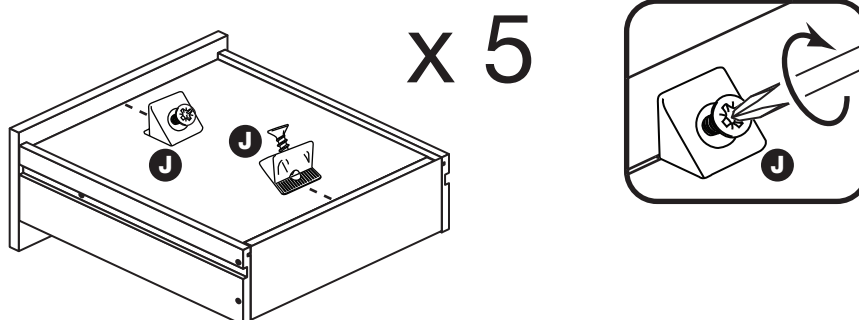
Attach a handle **L** to each drawer front **7** using 2 screws **F**.



Step 7

Fit the wedgifixes

Turn the drawer assemblies over and slide 2 wedgifixes **J** into the front and back grooves, as shown, and tighten up the screws.



Assembly Instructions

Step 8

Prepare the base

a: Tap 4 wooden dowels **A** into the base **6**.

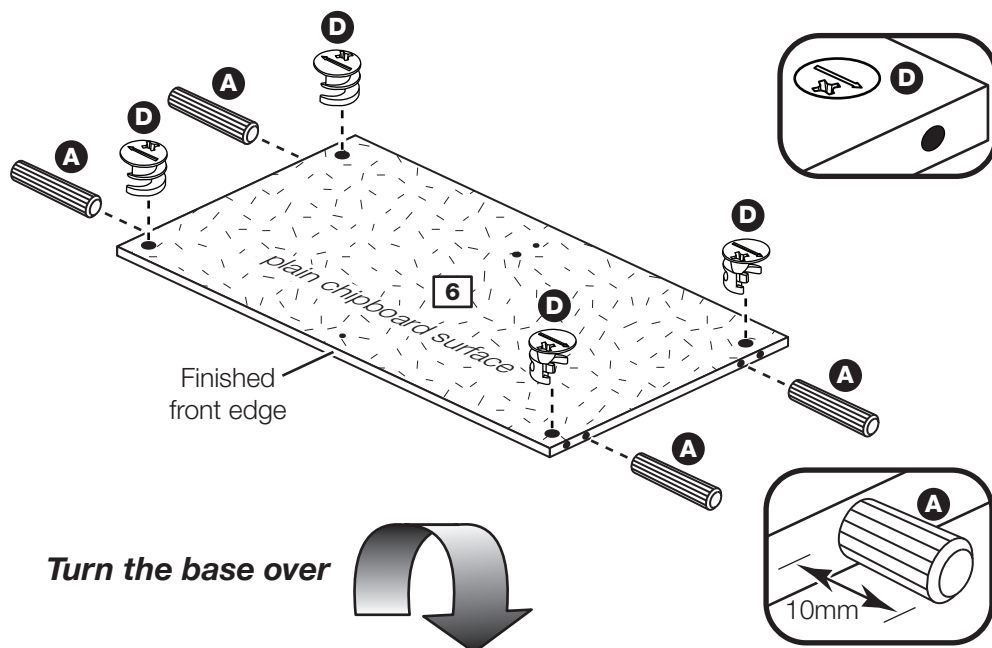
Note: Wooden dowels **must not** stick out from the edge by more than 10mm or they may damage other panels.

Insert 4 large locking nuts **D** into the base **6**.

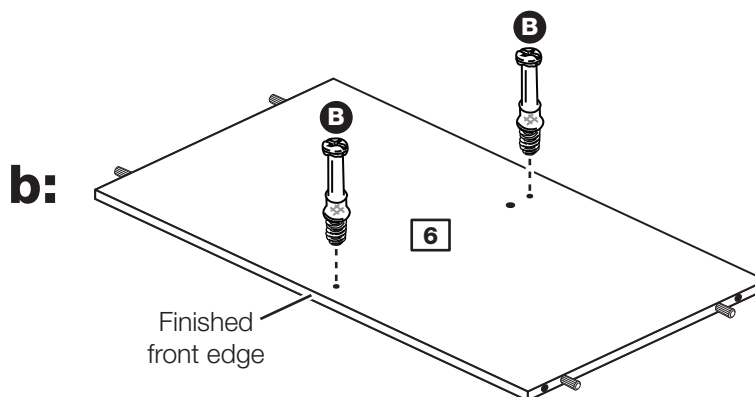
Note: The arrow on the locking nut **must** point towards the hole in the edge of the panel.

Turn the base over

b: Screw 2 metal dowels **B** into the base **6**.



Turn the base over



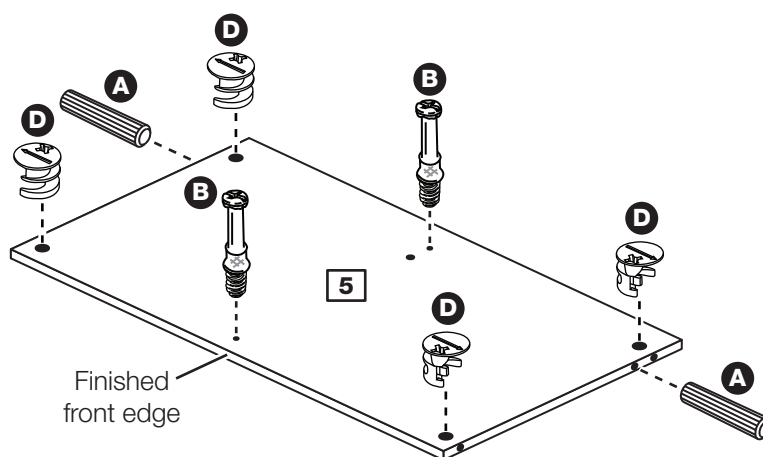
Step 9

Prepare the top

Tap 2 wooden dowels **A** into the top **5**.

Insert 4 large locking nuts **D** into the top **5**.

Screw 2 metal dowels **B** into the top **5**.



Assembly Instructions

Step 10

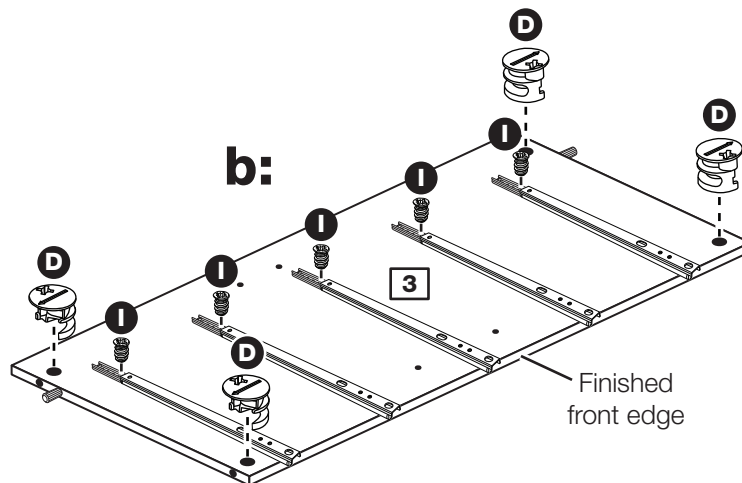
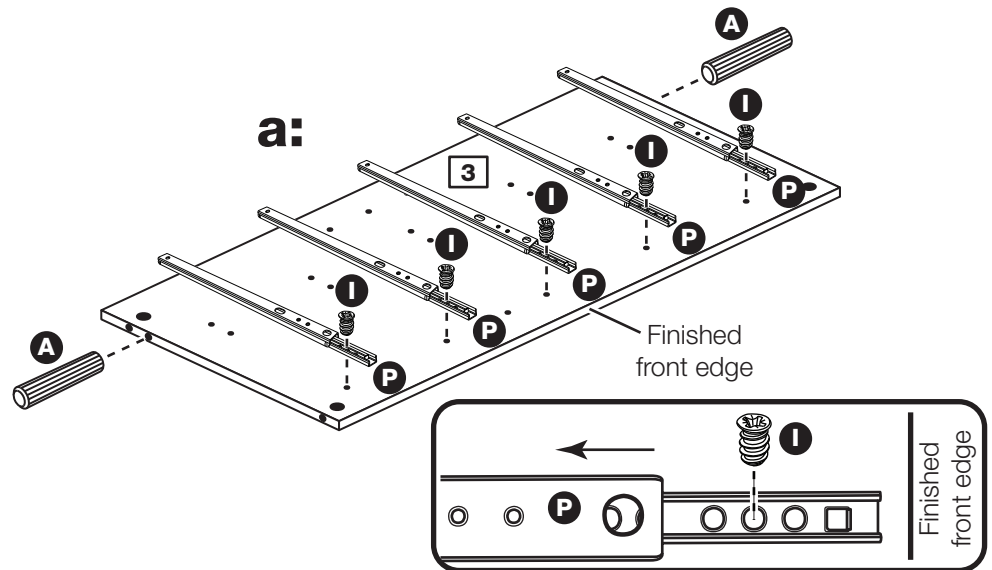
Prepare the divider

a: Place 5 runners **P** on the divider **3**. Slide back the top of the runner and use the 2nd hole from the front to fit the 1st screw **I**.

Tap 2 wooden dowels **A** into the divider **3**.

b: Slide the runners **P** back the other way and fit the 2nd screw **I** into the corresponding hole in the divider **3**.

Insert 4 large locking nuts **D** into the divider **3**.



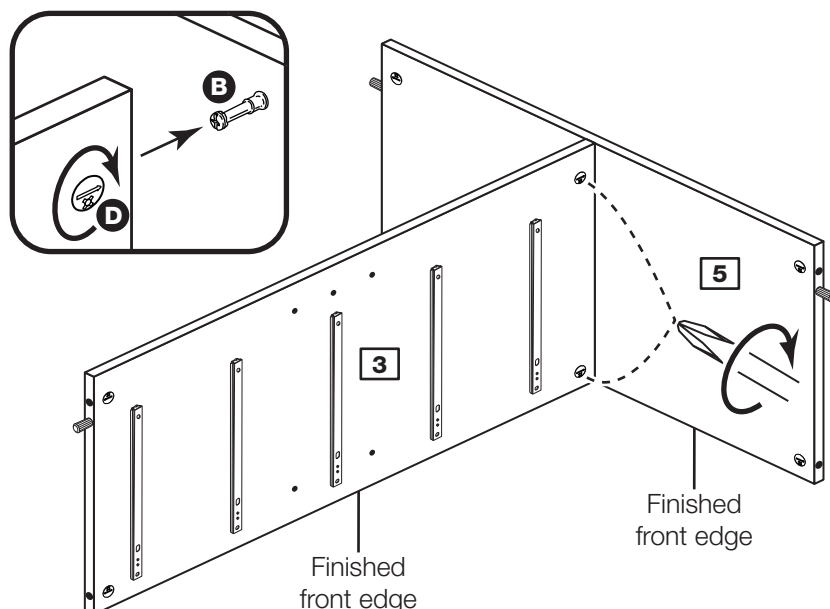
Step 11

Fit the top to the divider

Push the top **5** onto the divider **3**.

Use a screwdriver to tighten the 2 large locking nuts **D** fitted to the divider **3**.

Note: Turn the large locking nuts **D** as far as they will go - more than 1/2 a turn.



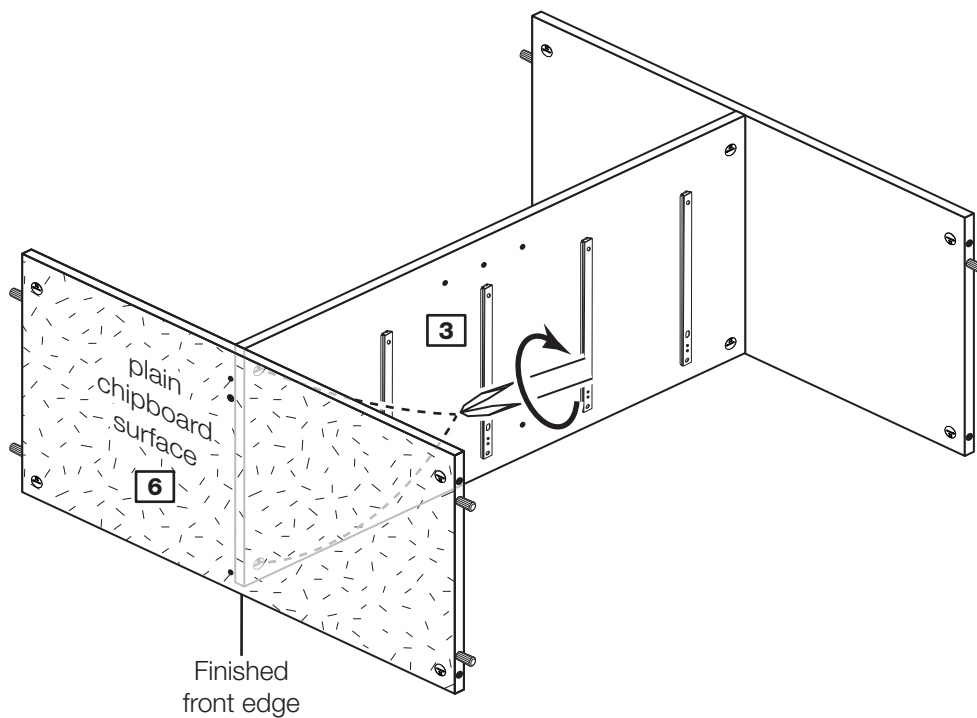
Assembly Instructions

Step 12

Fit the base

Push the base **6** onto the divider **3**.

Use a screwdriver to tighten the 2 large locking nuts **D** fitted to the divider **3**.

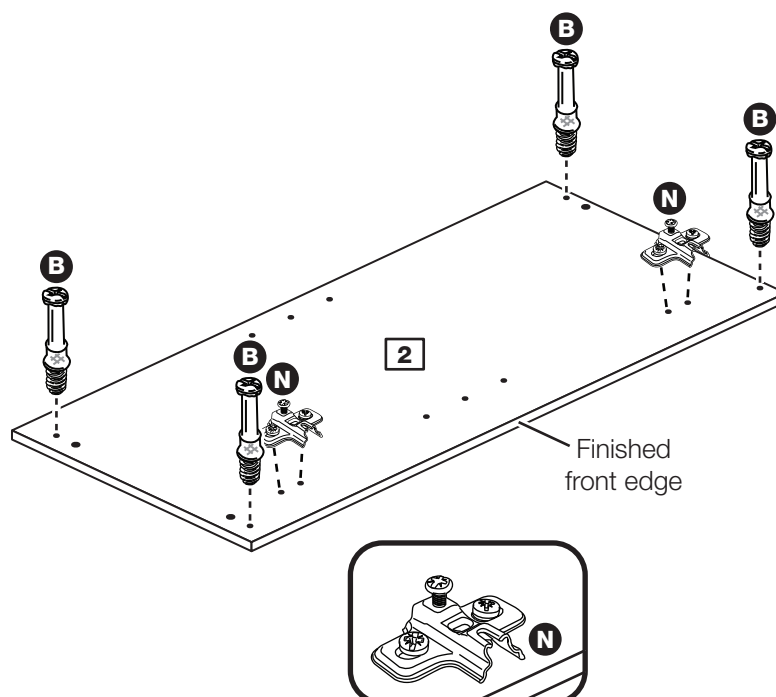


Step 13

Prepare the right side

Screw 4 metal dowels **B** into the right side **2**.

Fit 2 hinge plates **N** onto the right side **2**, making sure that the slot is facing towards the finished front edge.



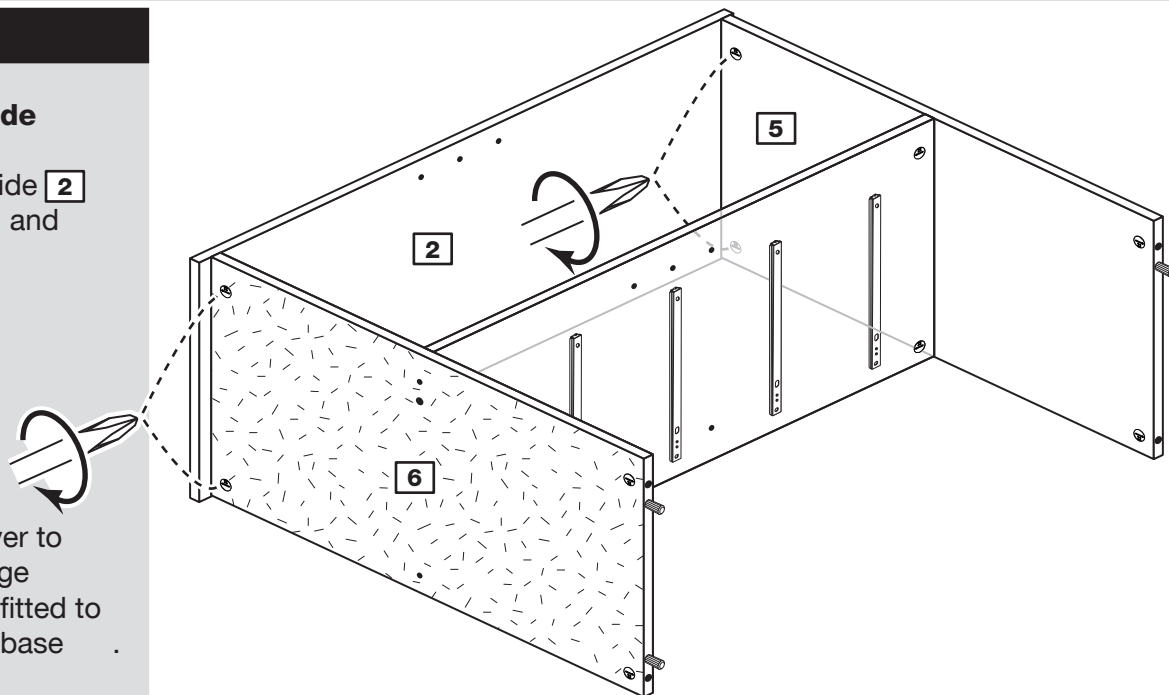
Assembly Instructions

Step 14

Fit the right side

Push the right side **2** onto the top **5** and base **6**.

Use a screwdriver to tighten the 4 large locking nuts **D** fitted to the top **5** and base



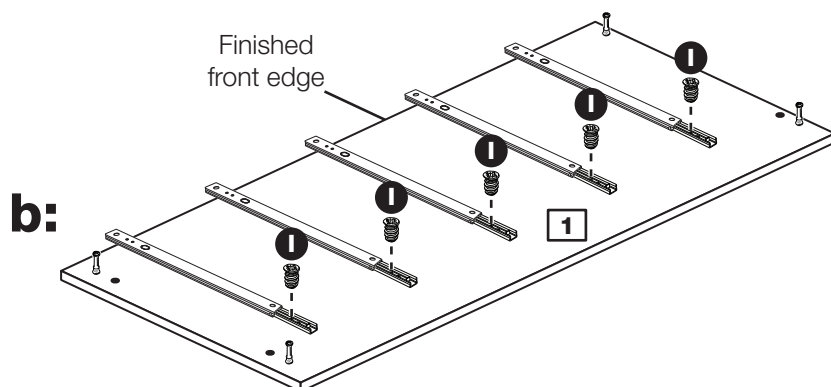
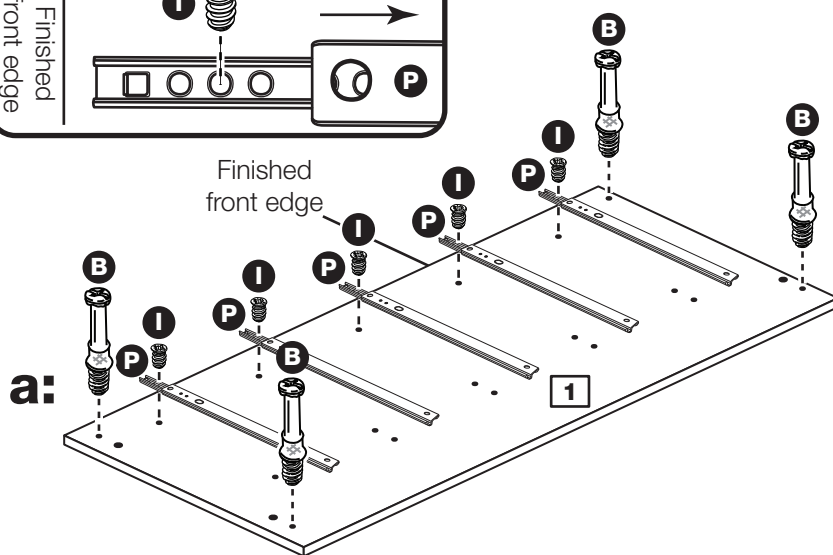
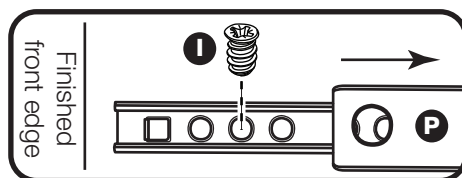
Step 15

Prepare the left side

a: Place 5 runners **P** on the left side **1**. Slide back the top of the runner and use the 2nd hole from the front to fit the 1st screw **I**.

Screw 4 metal dowels **B** into the left side **1**.

b: Slide the runner **P** back the other way and fit the 2nd screw **I** into the corresponding hole in the left side **1**.



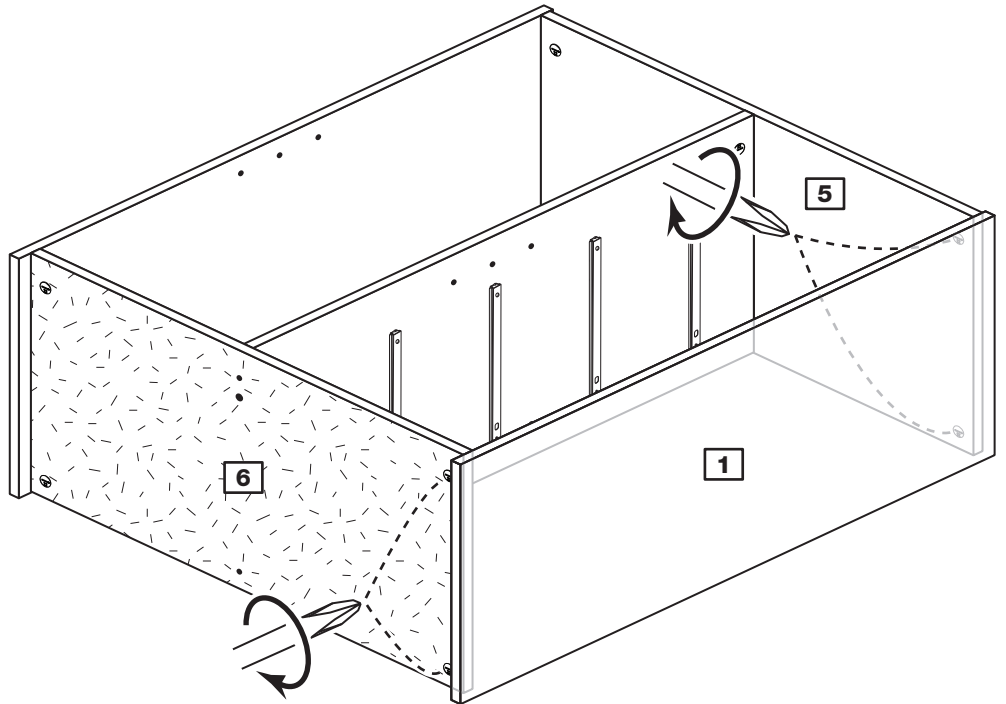
Assembly Instructions

Step 16

Fit the left side

Push the left side **1** onto the assembly.

Use a screwdriver to tighten the 4 large locking nuts **D** fitted to the top **5** and base **6**.



Step 17

Fit the back

a: Square up the unit by making sure that measurement **x to x** equals **y to y**.

b: Place the back **13** onto the unit, as shown.

Nail **M** around the outside edges of the back **13**.

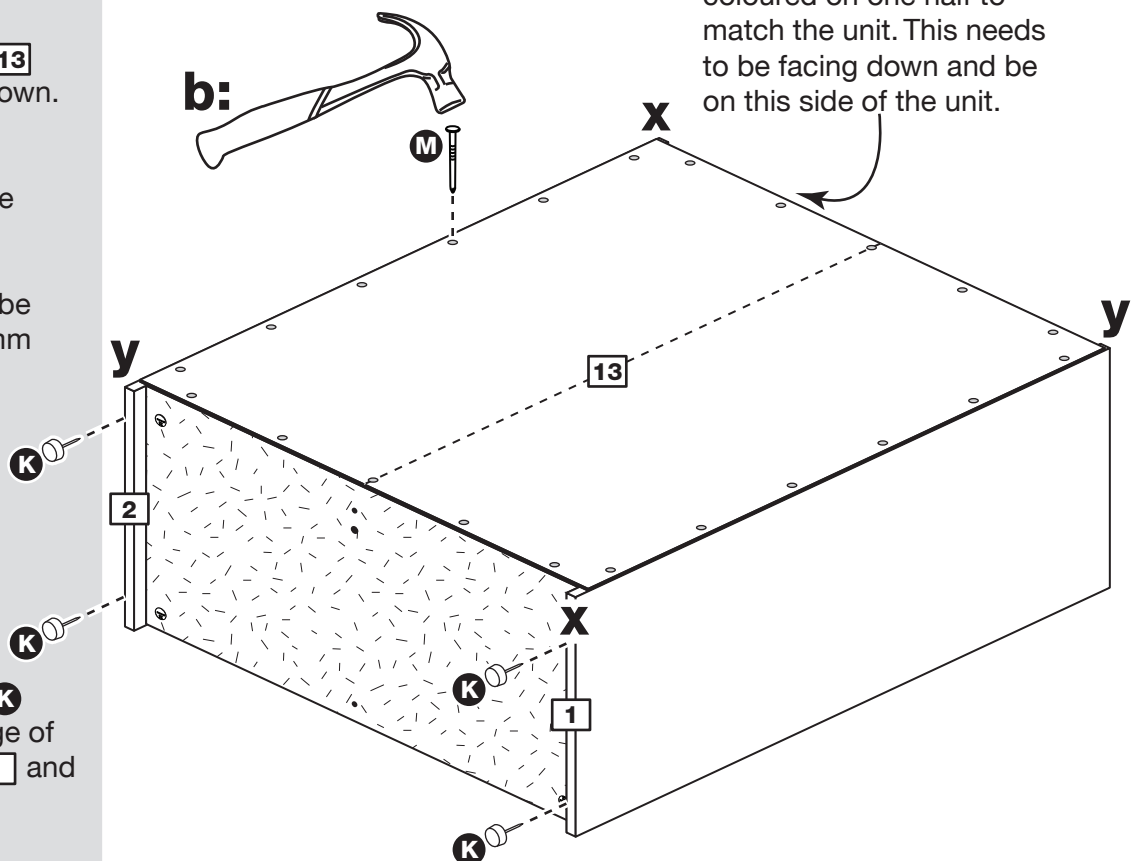
Note: Nails should be spaced about 150mm apart.

Tap 2 plastic nails **K** into the bottom edge of each of the sides **1** and **2**.

Stand the unit up for the next step.

a: The measurement from top corner X to bottom corner X must be equal to the measurement from top corner Y to bottom corner Y

1 surface of the back is coloured on one half to match the unit. This needs to be facing down and be on this side of the unit.



Assembly Instructions

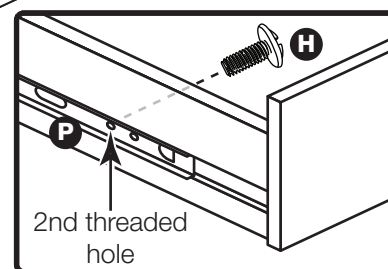
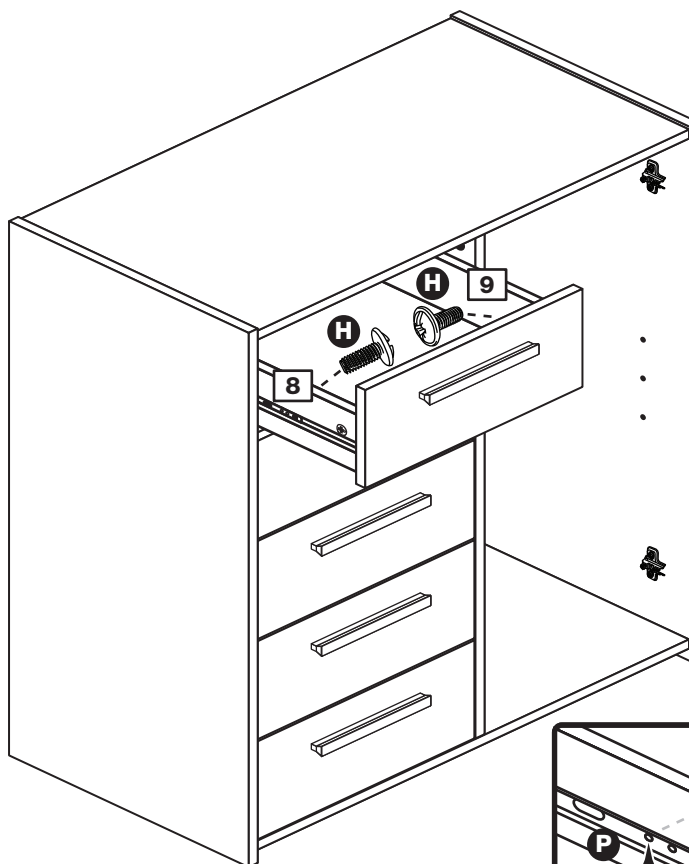
Step 18

Fit the drawers

Starting with the bottom drawer, slide both the runners **P** forward and locate the drawer sides **8** and **9** between them, lining up the holes in the drawer wrap with the 2nd 'threaded' holes in the runners **P**.

Working from the inside of the drawer, insert 2 screws **H** through the sides and out into the 2nd threaded hole in the runner.

Note: Do not over-tighten the screws **H. If they catch on the runner you may need to loosen them slightly.**

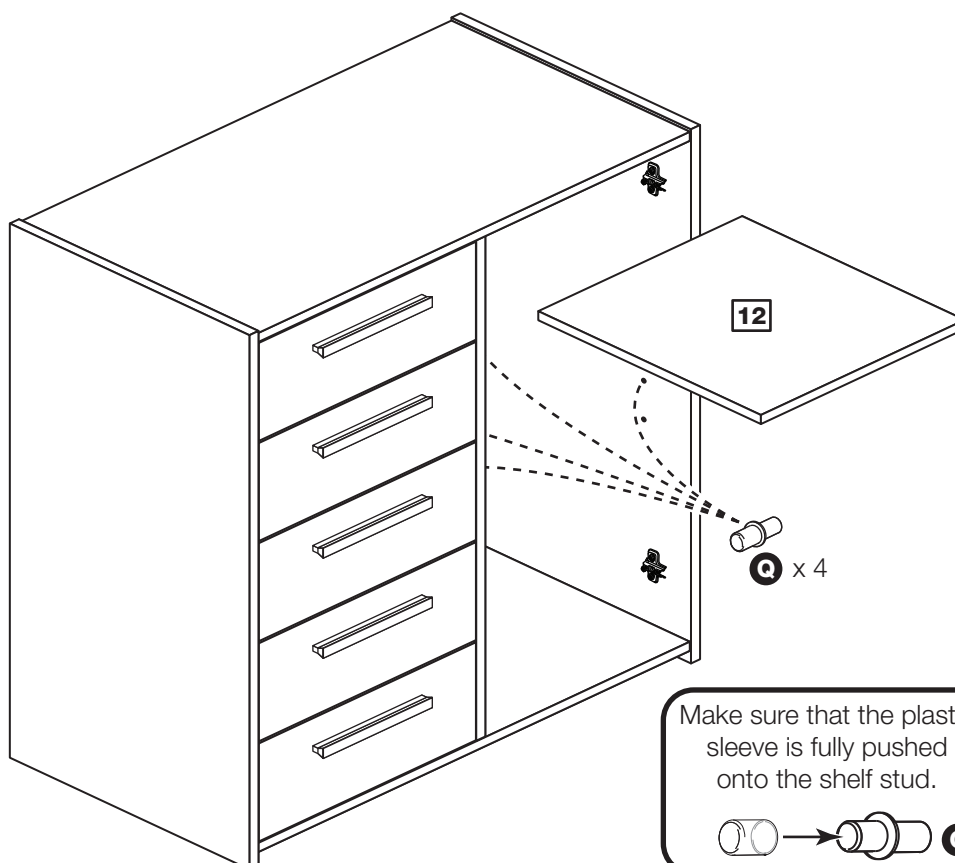


Step 19

Fit the shelf

Insert the 4 shelf studs **Q** at the required height.

Lower the shelf **12** down onto the shelf studs **Q**.



Make sure that the plastic sleeve is fully pushed onto the shelf stud.



Assembly Instructions

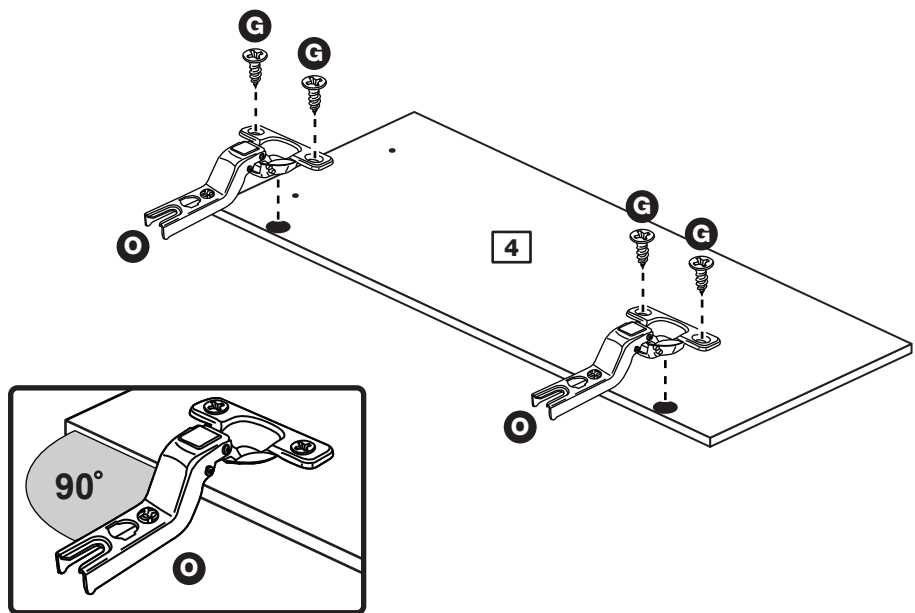
Step 20

Prepare the door

Push fit 2 hinges **O** into the door **4**.

Secure each hinge with 2 screws **G**.

Note: Before securing with the screws, make sure that the hinges are positioned at 90 degrees with the edge of the door.



Assembly Instructions

Step 21

Fit door and handle

Note: The easiest way to attach the door **4** is to fit the top hinge first, then align and fit the other hinges.

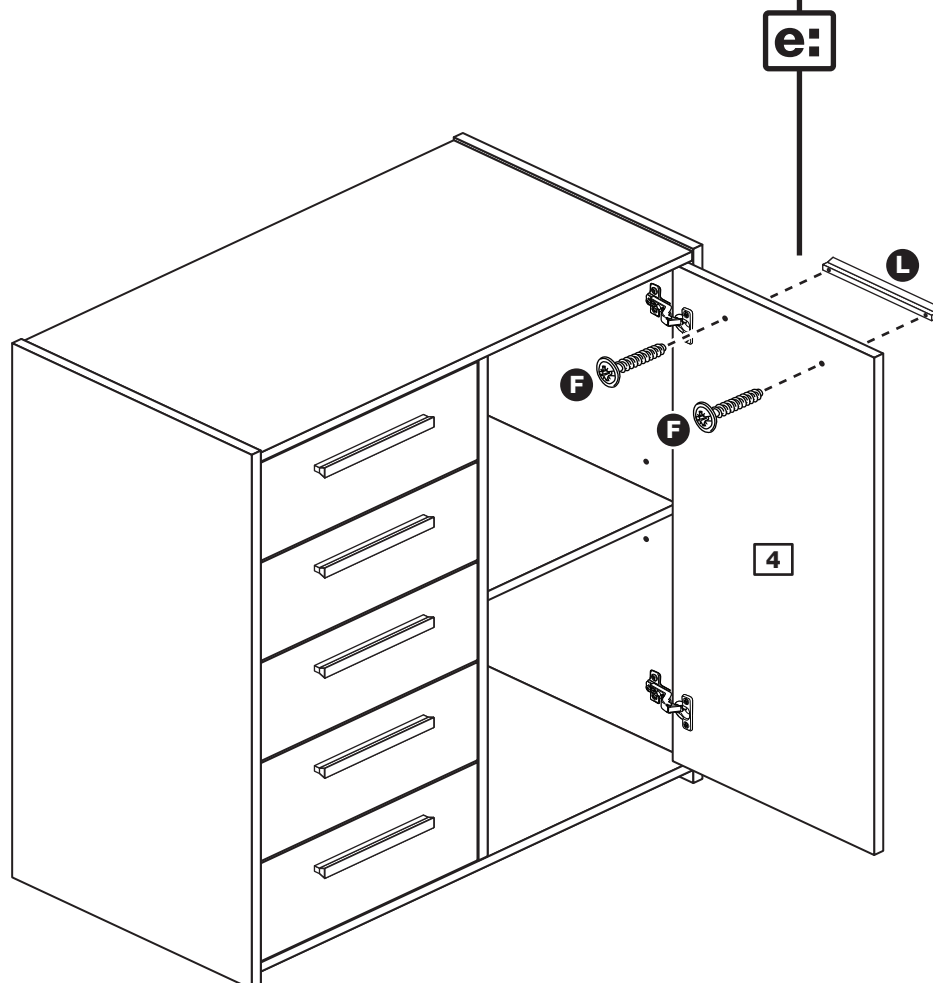
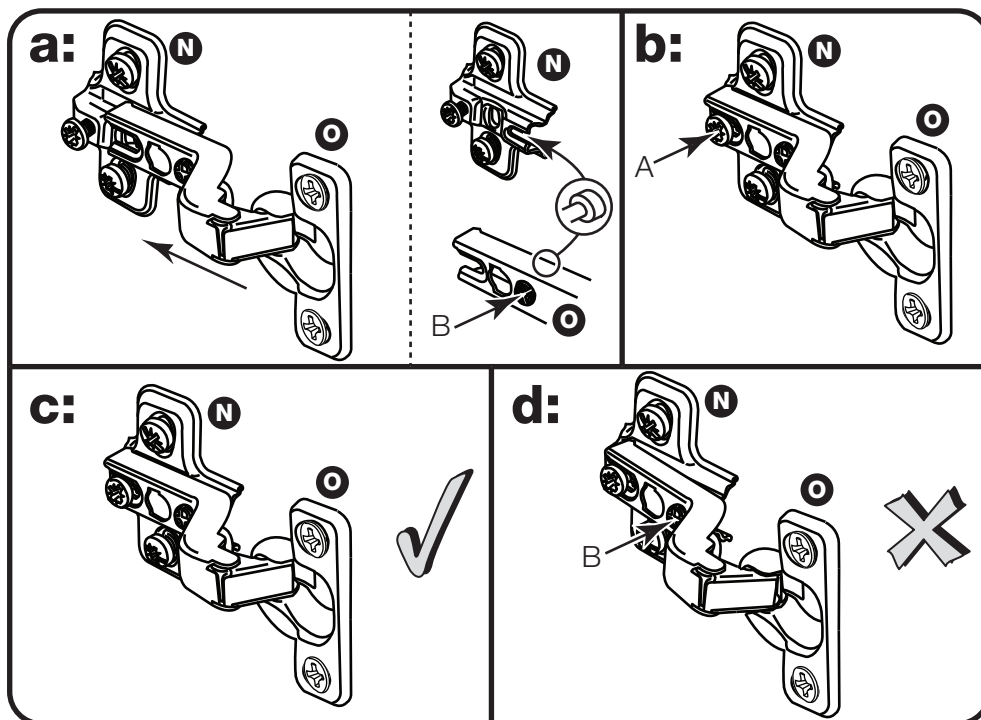
a: Push the hinge **O** onto the front part of the hinge plate **N**. The recess at the bottom of screw B goes into the slot in the hinge plate.

b: Keep the hinge **O** FLAT against the hinge plate **N** as you slide it across as far as it will go. Tighten screw A.

c: The hinge **O** must be flat against the hinge plate **N** prior to any adjustment.

d: The hinge **O** must NOT be AT AN ANGLE to the hinge plate **N** when assembled. This would indicate that the recess at the bottom of screw B had not located in the slot in the hinge plate and the hinge would not be secure. Remove the hinge from the hinge plate and then re-assemble being careful to follow instructions a-c.

e: Attach the handle **L** to the door **4** using 2 screws **F**.



Assembly Instructions

Step 22

Adjust the door if needed

a: Before adjusting the door, use a spirit level to check the top (or base) of the unit is level, front-to-back and side-to-side in the 3 positions shown. Use suitable packing pieces (not supplied) to make the unit level BEFORE making any adjustment to the hinges, as shown.

b: Height adjustment.

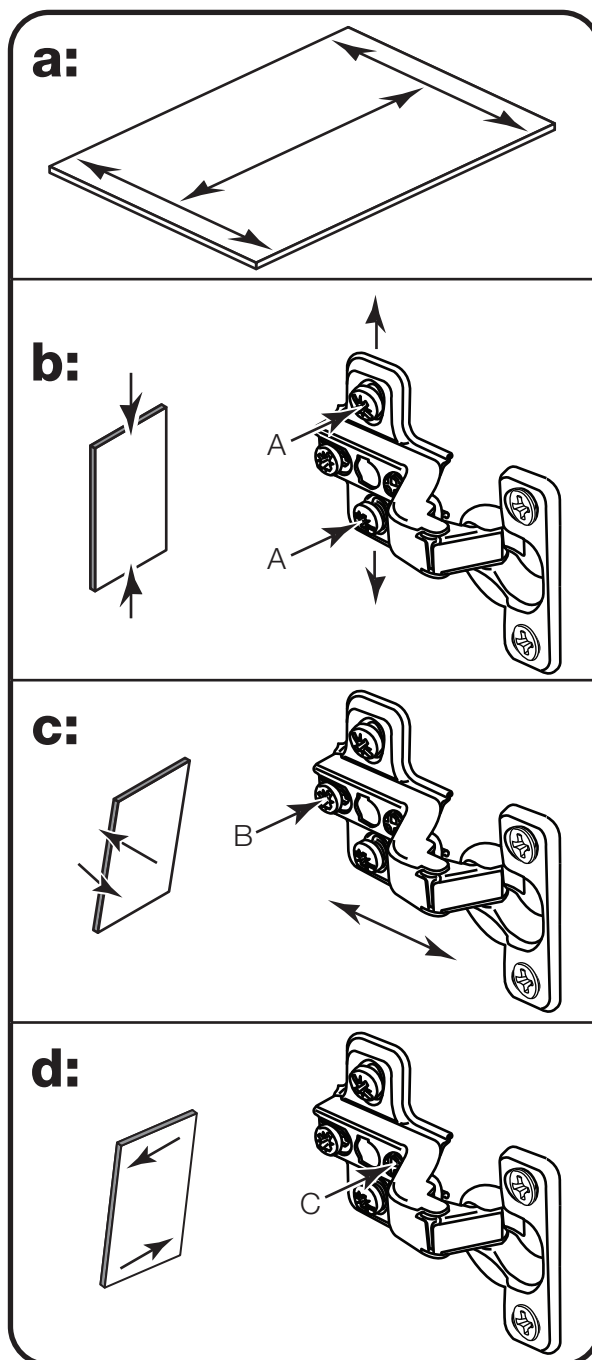
Loosen screws A on hinge plates and move door up or down as required. Retighten screw A.

c: Forward and Back adjustment.

Loosen screw B on hinge plate and move door in or out as required. Retighten screw B.

d: Sideways adjustment.

To move door 'out' loosen screw C. To move door 'in' tighten screw C.



Assembly Instructions

Step 23

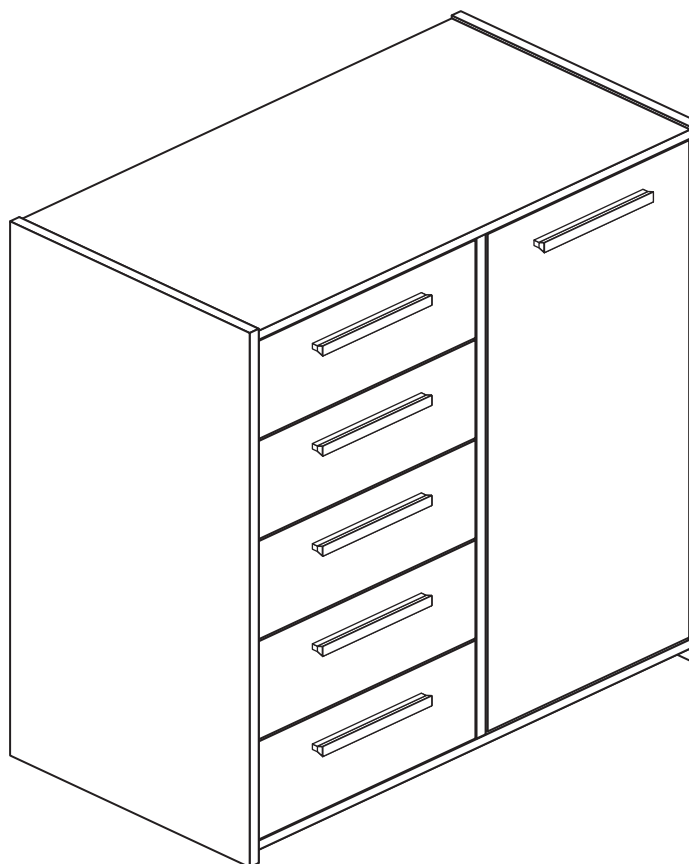
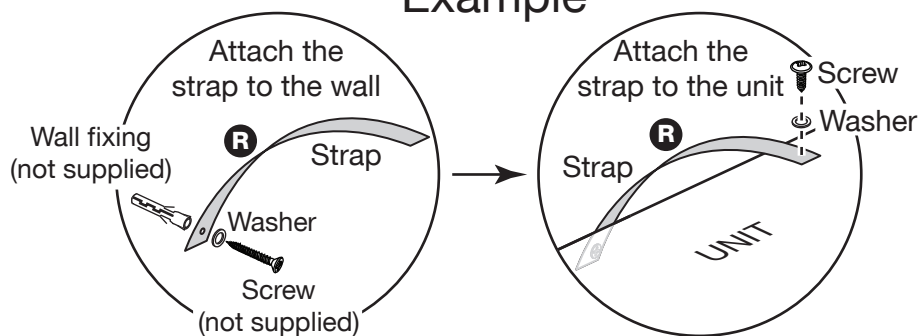
Fit the overbalance protector kit

To prevent possible overbalancing we recommend that this unit is secured to a suitable wall by fitting of the overbalance protector kit **R** to the unit, or an alternative fixing method of your choice.

Wall fixings are not supplied as they will need to suit the wall type.

Note: Take care when drilling the wall that you do not drill into any pipes, wires etc. If in doubt, consult an expert.

Example



If you need help or have damaged or missing parts, call the Customer Helpline: 03456 400800 and quote the reference numbers on the component pages.

Argos Ltd, 489-499 Avebury Boulevard, Central Milton Keynes, MK9 2NW