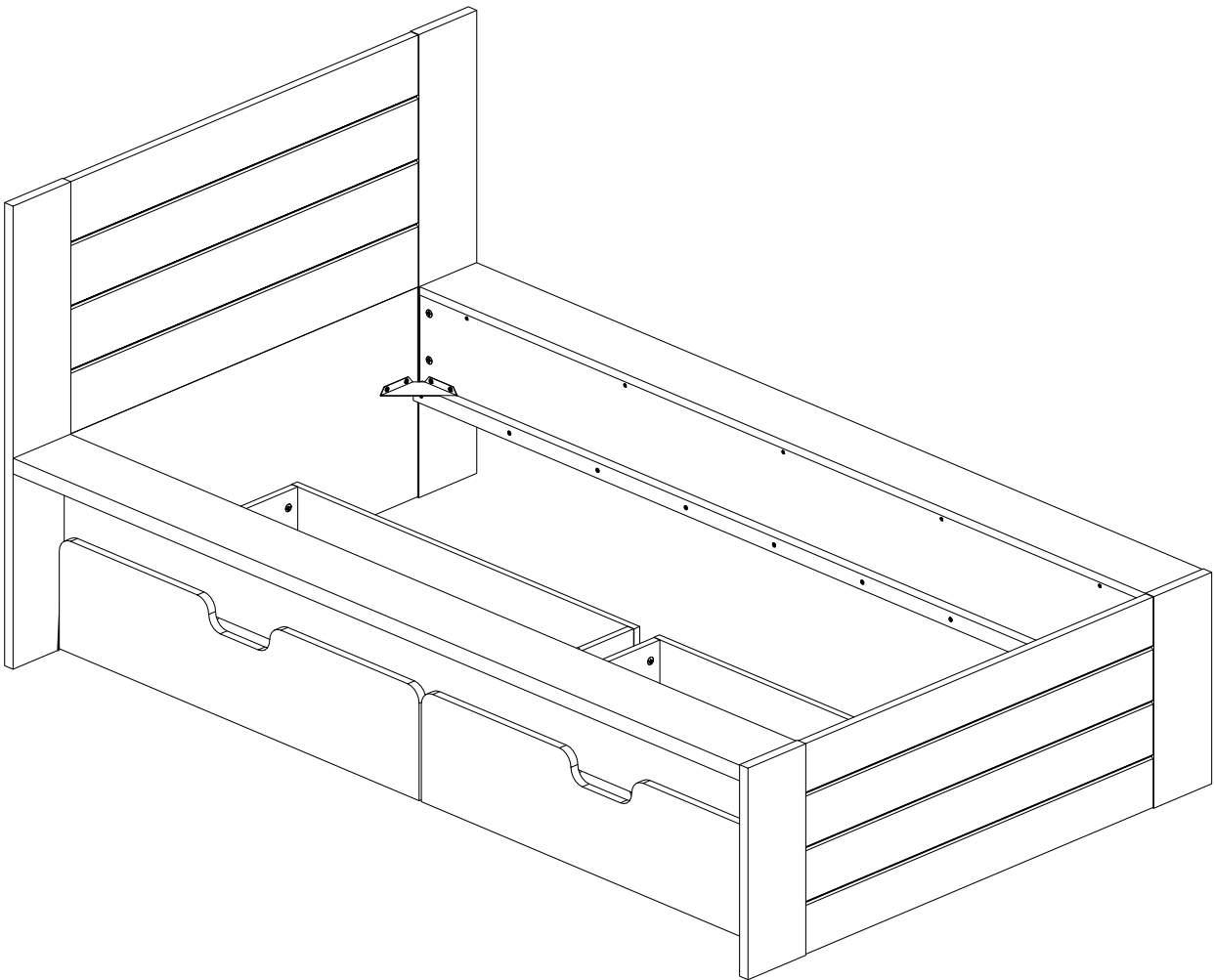


Seattle 3Ft

Assembly Instructions Please keep for future reference

2587332

2417251



Dimensions

Width - 121,9cm

Depth - 195,4cm

Height - 95,0cm

**Tip : To prevent damage,
we recommend that you
build your unit on the
carton(s) it was packed in.**

Important – Please read these instructions fully before starting assembly

If you need help or have damaged or missing parts, please visit: www.argos-support.co.uk
or email: Help@ClickSpares.co.uk (quoting your original order number)

Alternatively, call the Spares Helpline on: **0370 112 1928**

For any other queries please contact the Customer Helpline on: **0345 640 2020**



Safety and Care Advice

Important – Please read these instructions fully before starting assembly

- Check you have all the components and tools listed on pages 2 and 3.
- Remove all fittings from the plastic bags and separate them into their groups.
- Keep children and animals away from the work area, small parts could choke if swallowed.
- Make sure you have enough space to layout the parts before starting.

- Do not stand or put weight on the product, this could cause damage.
- Assemble the item as close to its final position (in the same room) as possible.
- Assemble on a soft level surface to avoid damaging the unit or your floor.
- Parts of the assembly will be easier with 2 people.



power drill is set on a low torque setting.

- Dispose of all packaging carefully and responsibly.

Glue safety - Take care when using glue, please follow the advice below

Skin contact: Remove contamination by washing with soap and water. This procedure should also be followed prior to eating and drinking.

Eye contact: Rinse immediately with clean water for 15 minutes and seek medical advice.

If swallowed: Seek medical advice immediately.

Care and maintenance

• Only clean using a damp cloth and mild detergent, do not use bleach or abrasive cleaners.

• From time to time check that there are no loose screws on this unit.

• This product should not be discarded with household waste. Take to your local authority waste disposal centre.

Handy Hints

• Assemble all parts and bolts loosely during assembly, only once the product is complete should you fully tighten the bolts

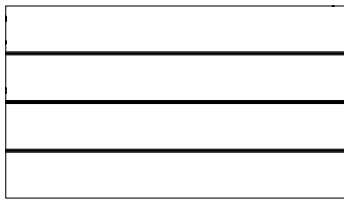
• Regularly check and ensure that all bolts and fittings are tightened properly.

Note: if required the next page can be cut out and used as reference throughout the assembly. Keep this page with these instructions for future reference.

Components - Panels

For damaged or missing parts, please visit:
www.argos-support.co.uk or email: Help@ClickSpares.co.uk

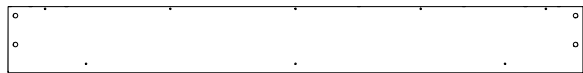
Please check you have all the panels listed below



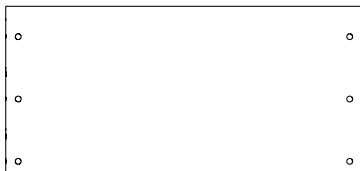
1 Head board
(91.5 x 51.7cm)
FA2532



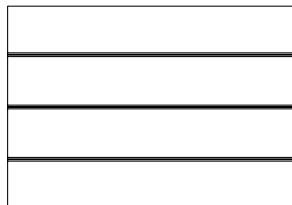
2 Left & Right plinth x 2
(191.0 x 15.0cm)
FA2530



3 Left & Right rail x 2
(191.0 x 22.0cm)
P2040



4 Head panel
(91.5 x 43.0cm)
P2037



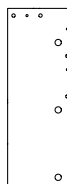
5 Foot board
(91.5 x 43.2cm)
FA2535



6 Leg head right side
(95.0 x 15.2cm)
P6007



7 Leg head left side
(95.0 x 15.2cm)
P6006



8 Leg foot right side
(43.4 x 15.2cm)
P6009



9 Leg foot left side
(43.4 x 15.2cm)
P6008



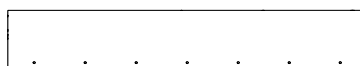
10 Support rail x 2
(189.7 x 32.0cm)
MA2251



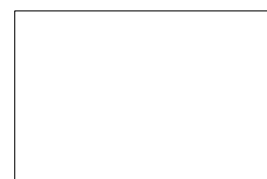
11 Drawer front x 2
(94.6 x 23.0 cm)
P4105



12 Left & right drawer side x 4
(57.0 x 14.5cm)
P4107



13 Drawer Back x 2
(90.0 x 14.5cm)
P4109



14 Drawer Base x 2
(86.8 x 57.0cm)
P4110



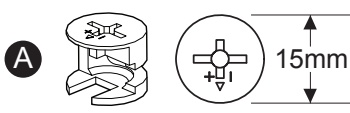
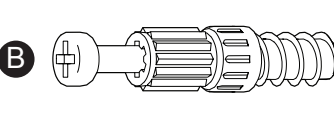
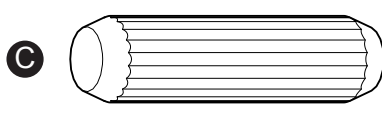
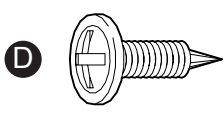
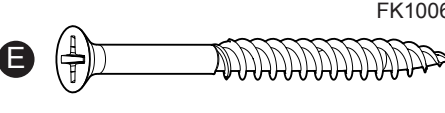
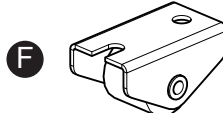
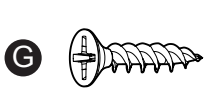
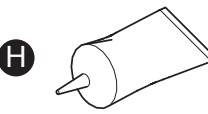
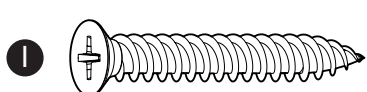
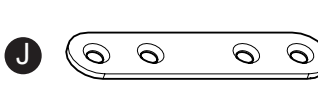
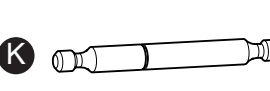
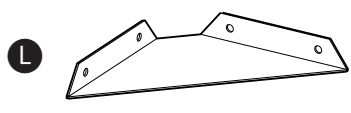
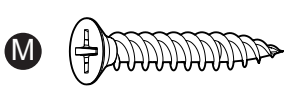
Components - Fittings

For damaged or missing parts, please visit: www.argos-support.co.uk or email: Help@ClickSpares.co.uk

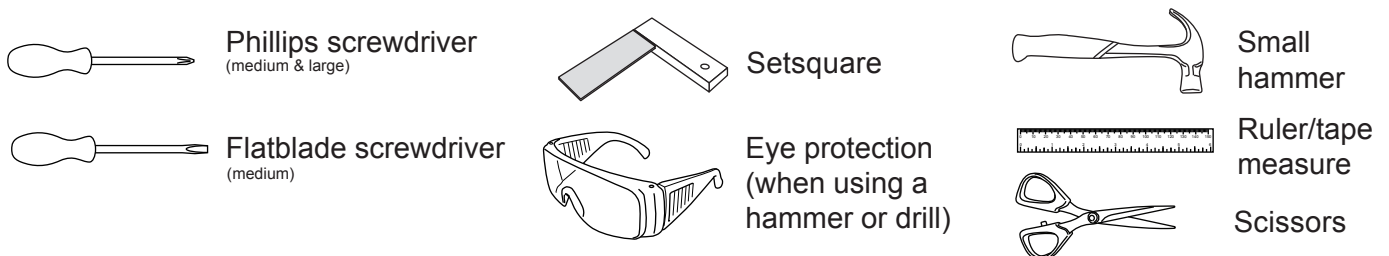
Please check you have all the fittings listed below

Note: The quantities below are the correct amount to complete the assembly. In some cases more fittings may be supplied than are required.

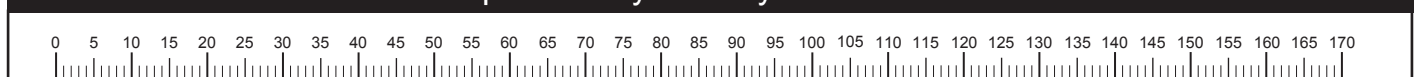
1/1

 <p>A Large locking nut x 64 (15x12mm)</p>	 <p>B Locking screw x 28 (5x24mm)</p>	 <p>C Wood dowel x 38 (8x30mm)</p>
 <p>D Backpanelscrew x 20 (4x15mm)</p>	 <p>E Carcase screw x 52 (4x40mm)</p>	 <p>F Wheel x 10</p>
 <p>G Chipboardscrew x 20 (3x15mm)</p>	 <p>H Glue x 1</p>	 <p>I Chipboardscrew x 18 (5x35mm)</p>
 <p>J Connecting plate x 1</p>	 <p>K Double locking screw x 18 (24/24mm)</p>	 <p>L Corner bracket x4</p>
 <p>M Chipboardscrew x 8 (4x25mm)</p>		

Tools required



Ruler - Use this ruler to help correctly identify the screws



The screws length is measured from the head to the point (30mm screw shown).

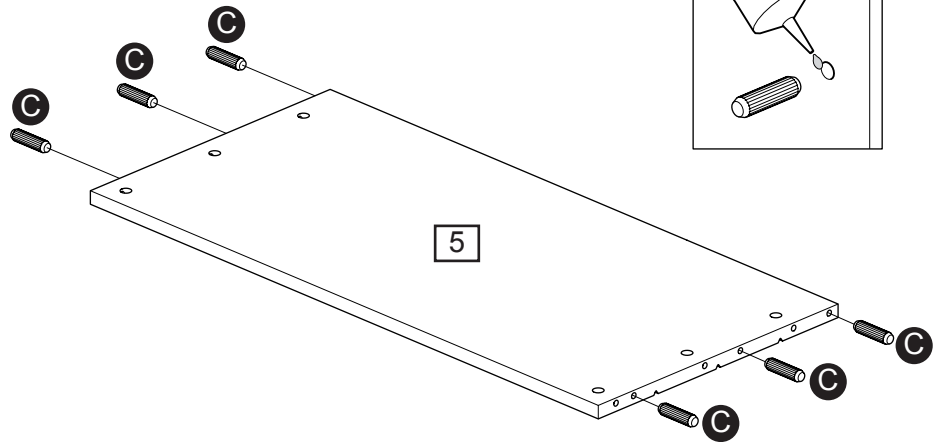
Assembly Instructions

Step 1

Foot end assembly

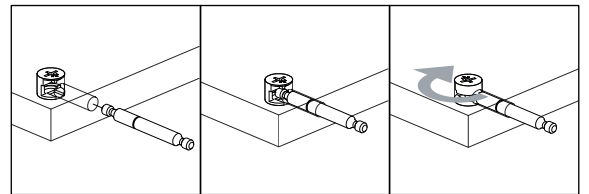
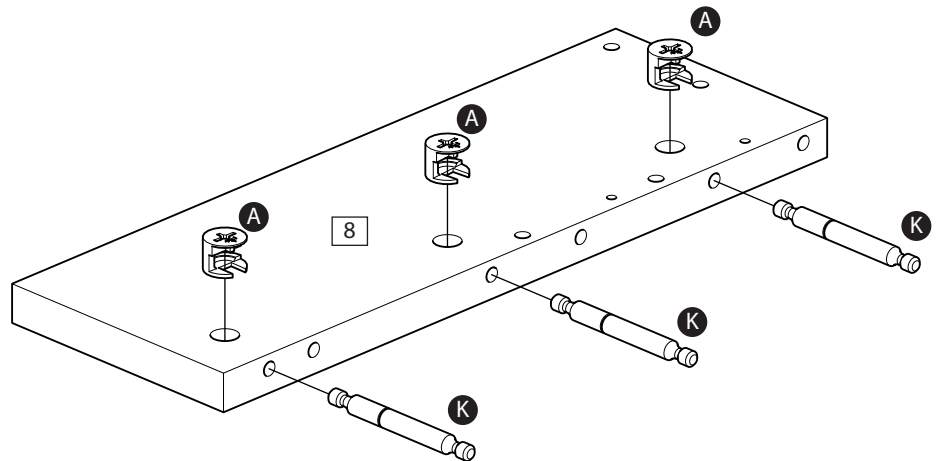
a: Insert 6x wood dowel **C** with a small amount of glue **H** into the holes of foot board **5**.

a:



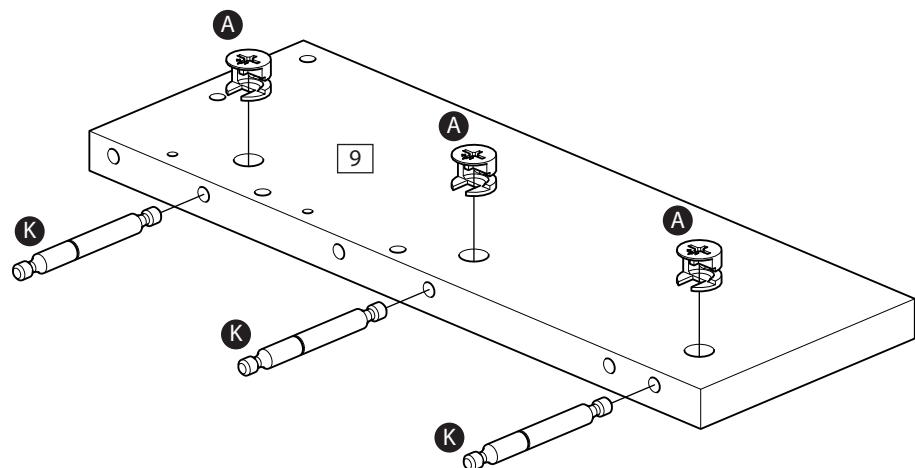
b: Insert 3x large locking nut **A** and 3x double locking into screw **K** into leg foot right side **8**. Use a screwdriver to turn 3x large locking nut **A** clockwise to lock.

b:



c: Insert 3x large locking nut **A** and 3x double locking into screw **K** into leg foot left side **9**. Use a screwdriver to turn 3x large locking nut **A** clockwise to lock.

c:



Continued on next page.

Assembly Instructions

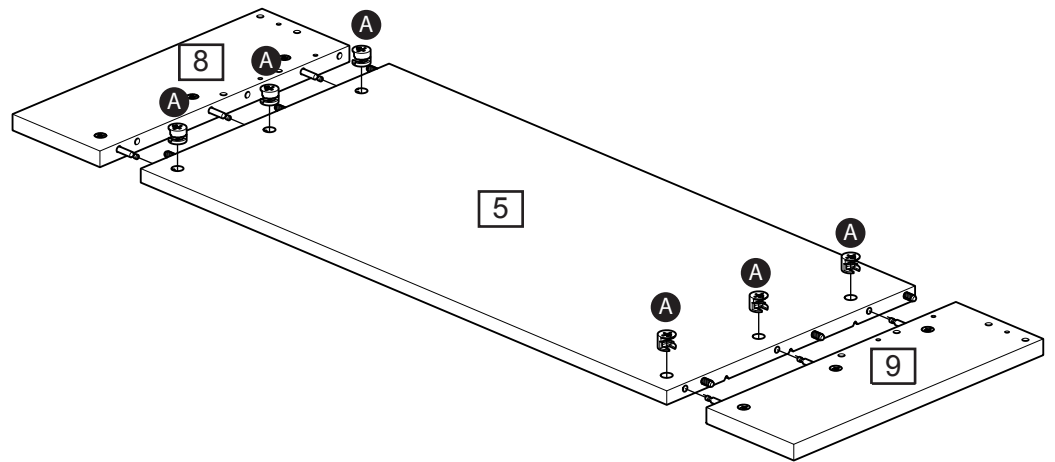
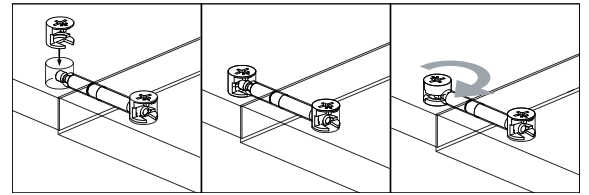
Step 1 - continued

Foot end assembly

d: Attach leg foot right side [8] and leg foot left side [9] on foot board [5] using 6x Large locking nut [A].

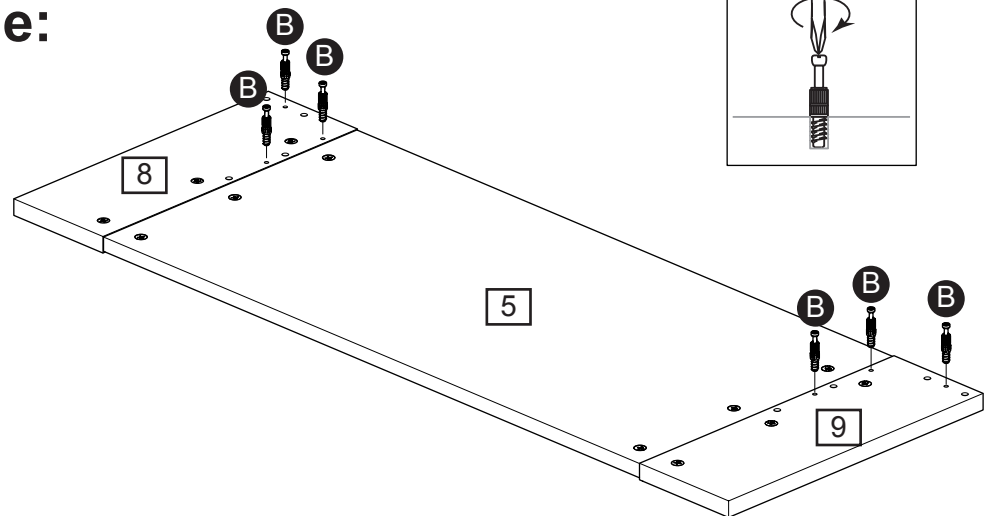
Use a screwdriver to turn 12x large locking nut [A] clockwise to lock.

d:



e: Screw 6x locking screw [B] into the holes on leg foot side right [8] and leg foot side left [9].

e:



Step 2

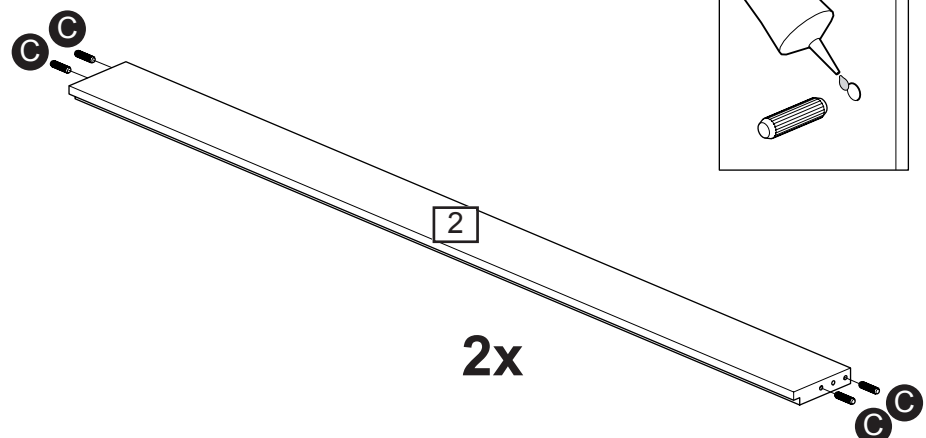
Side assembly

next few steps must be done 2 times!
(one assembly is left side other is right side.)

a: Insert 4x wood dowel [C] with a small amount of glue [H] into the holes of left & right plinth [2].

Continued on next page.

a:



Assembly Instructions

Step 2 - continued

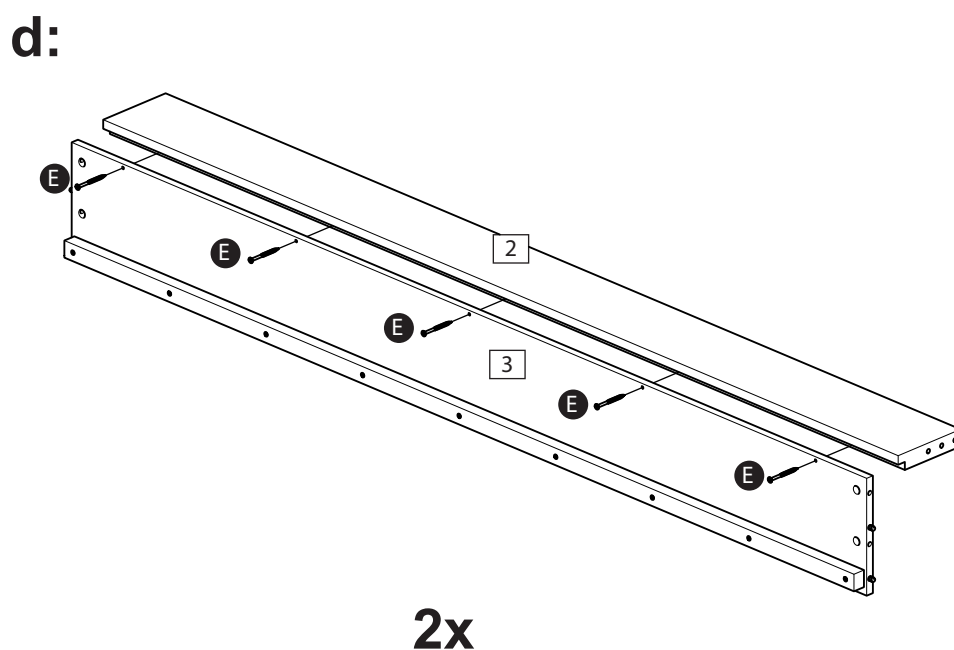
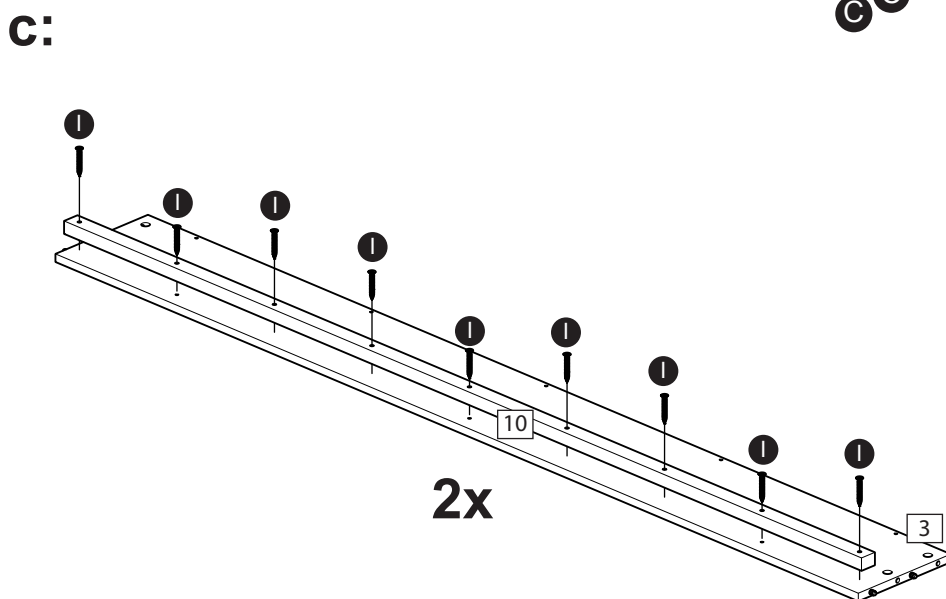
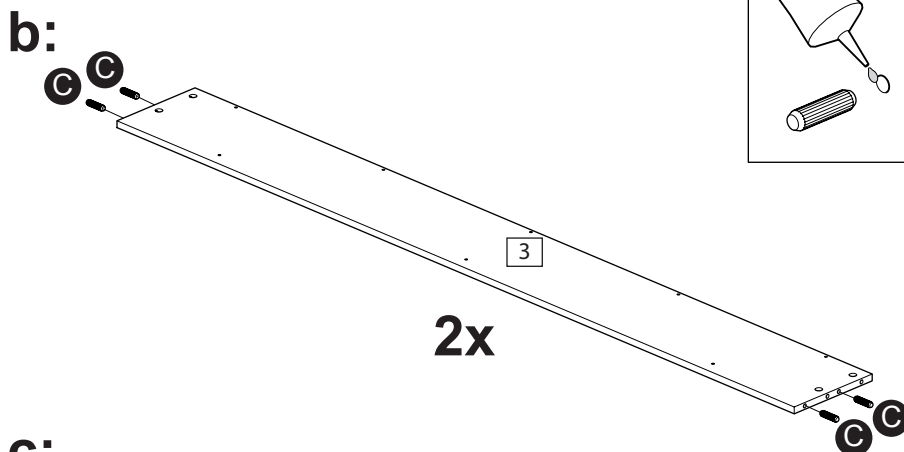
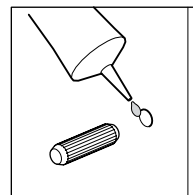
Side assembly

b: Insert 4x wood dowel **C** with a small amount of glue **H** into the holes of left & right rail **3**.

c: Attach support rail **10** with 9x chipboard screws **I** to left & right rail **3**.

d: Attach left & right plinth **2** with 5x carcass screw **E** to left & right rail **3**.

Note: This step requires 2 people.



Assembly Instructions

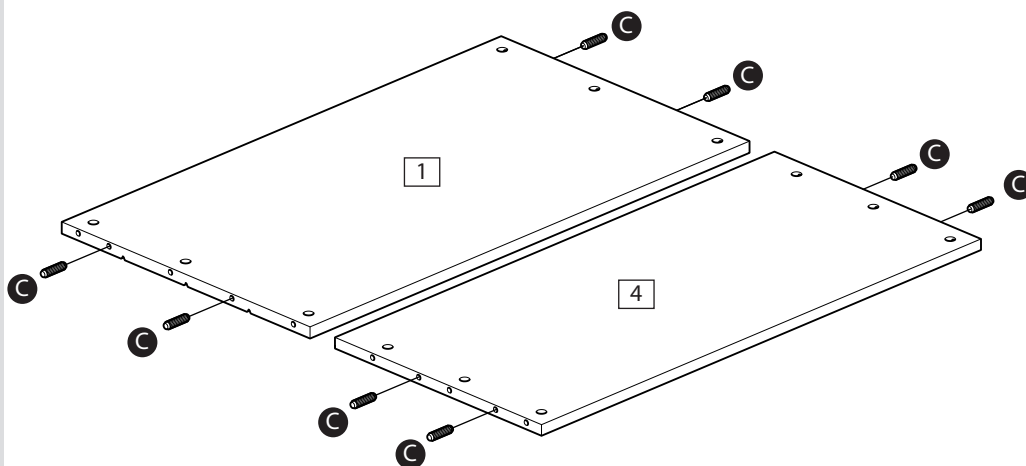
Step 3

Head end assembly

a: Insert 8x wood dowel **C** with a small amount of glue **H** into the holes of head board **1** and head panel **4**.

Note: We recommend to build this part on the packing cartons to prevent damage to your product.

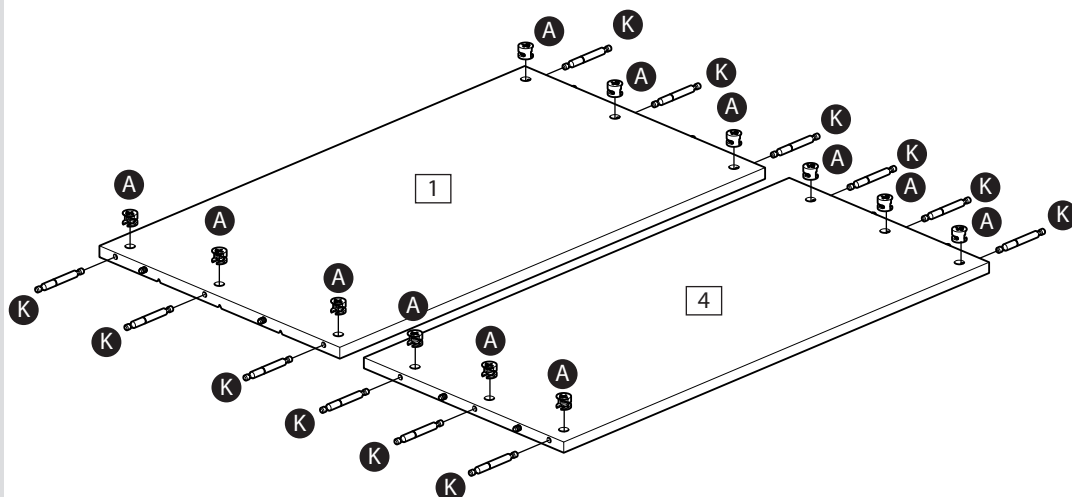
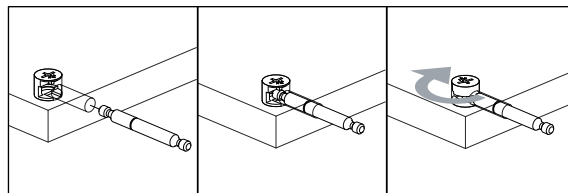
a:



b: Insert 12x large locking nut **A** and 12x double locking into screw **K** head board **1** and head panel **4**.

Use a screwdriver to turn 12x large locking nut **A** clockwise to lock.

b:



Continued on next page.

Assembly Instructions

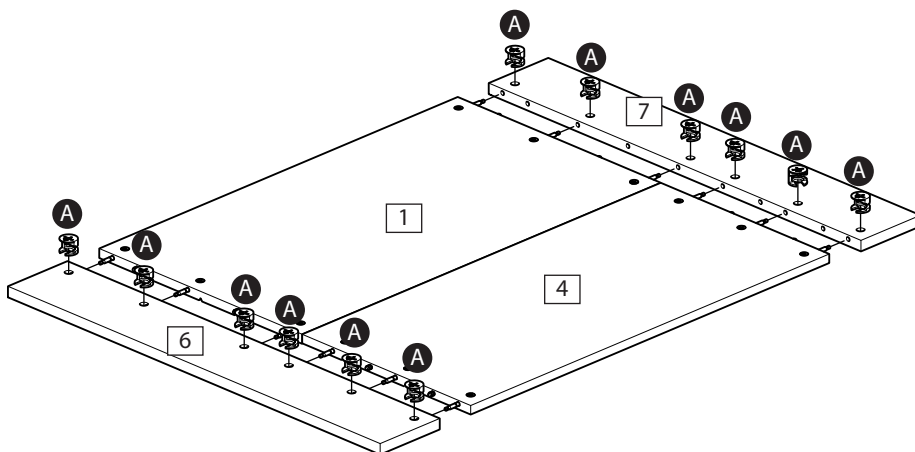
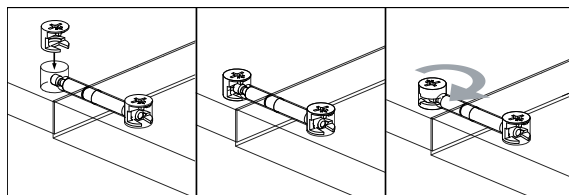
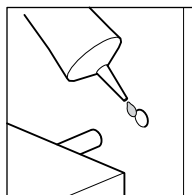
Step 3 - continued

Head end assembly

C: Apply a small amount of glue **H** onto wood dowel **C** already fixed into head board **1** and head panel **4**.

Attach leg head right side **6** and leg head left side **7** to head panel **4** and head board **1** with 12x large locking nut **A**. Use a screwdriver to turn 12x large locking nut **A** clockwise to lock.

C:



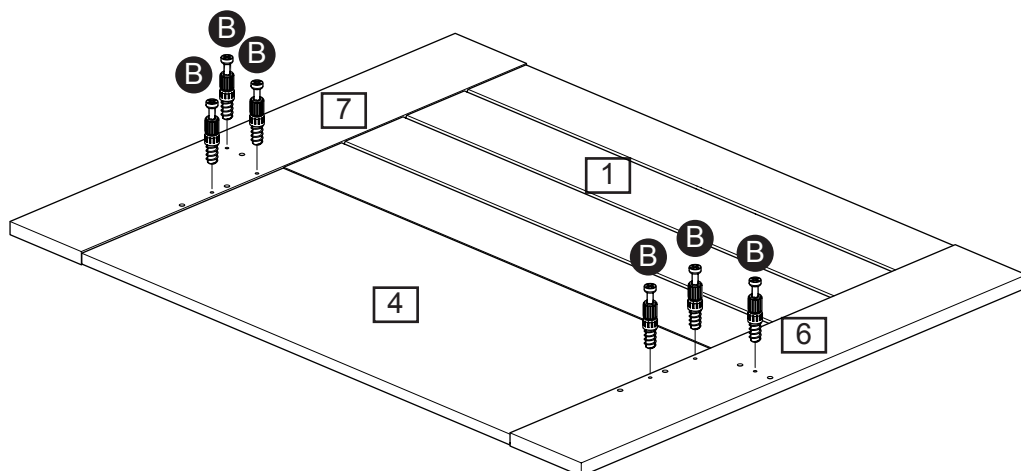
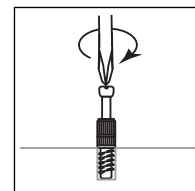
Head end assembly

Turn the head end on the other side.

2 people required!

d: Screw 6 locking screws **B** into the holes on leg head right side **6** and leg head left side **7**.

d:



Assembly Instructions

Step 4

Final assembly

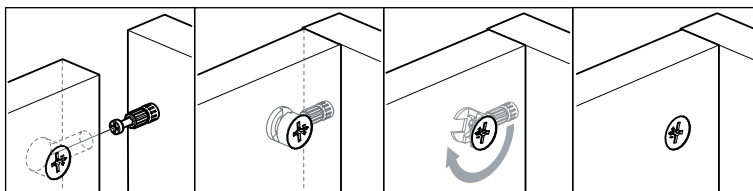
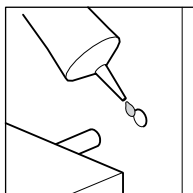
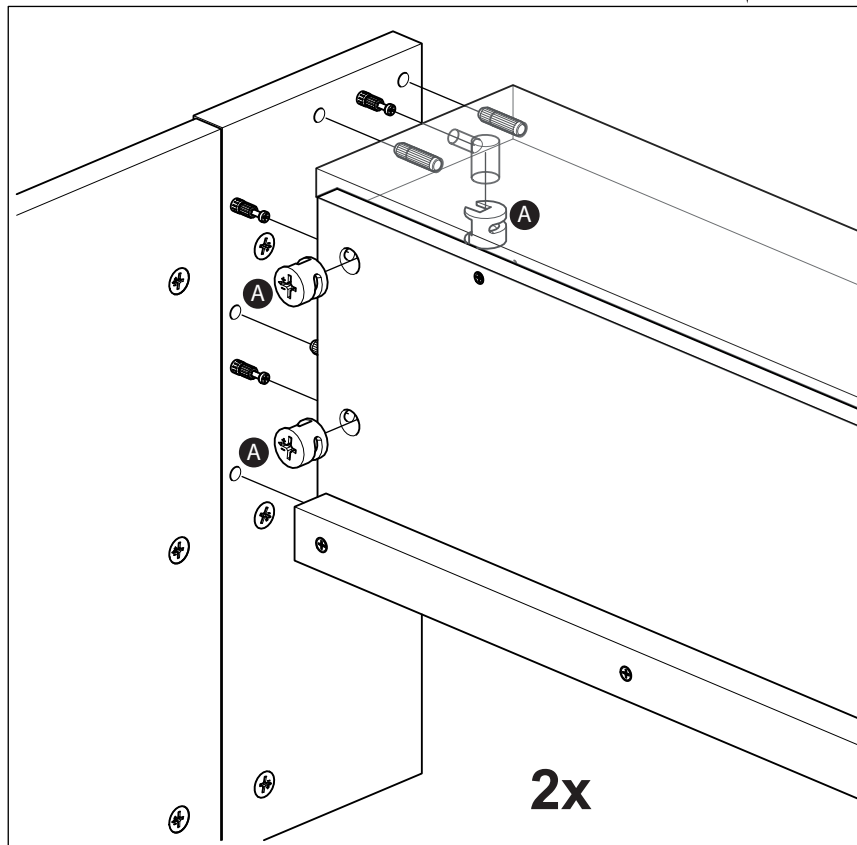
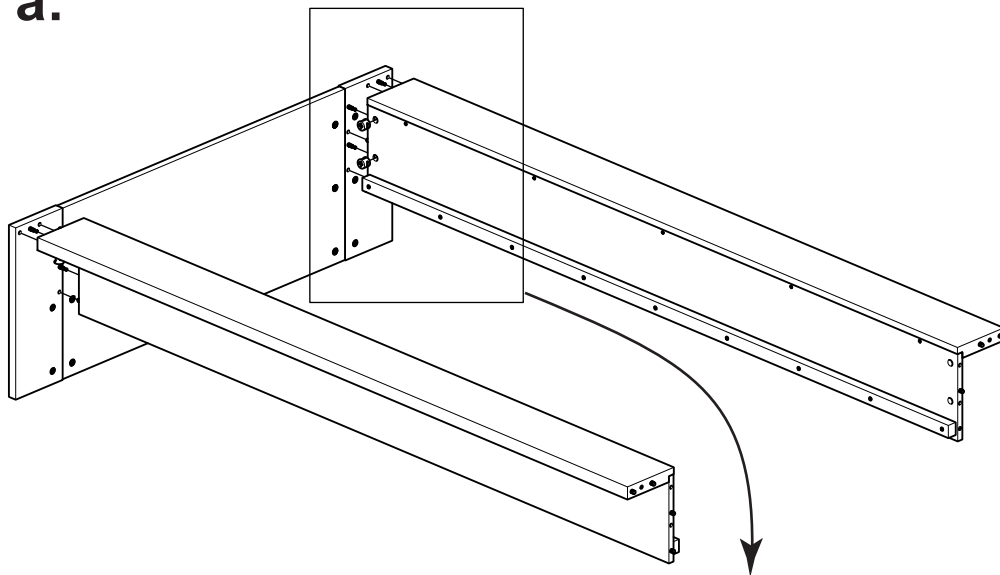
2 people required!

a: Apply a small amount of glue **H** onto wood dowel **C** already fixed into the left and right side.

Attach the left and right side to the foot end using 6x large locking nut **A**.

Use a screwdriver to turn 6x locking nuts **A** clockwise to lock.

a:



Continued on next page.

Assembly Instructions

Step 4 - continued

Final assembly

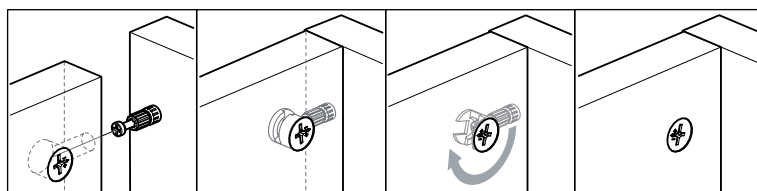
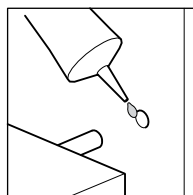
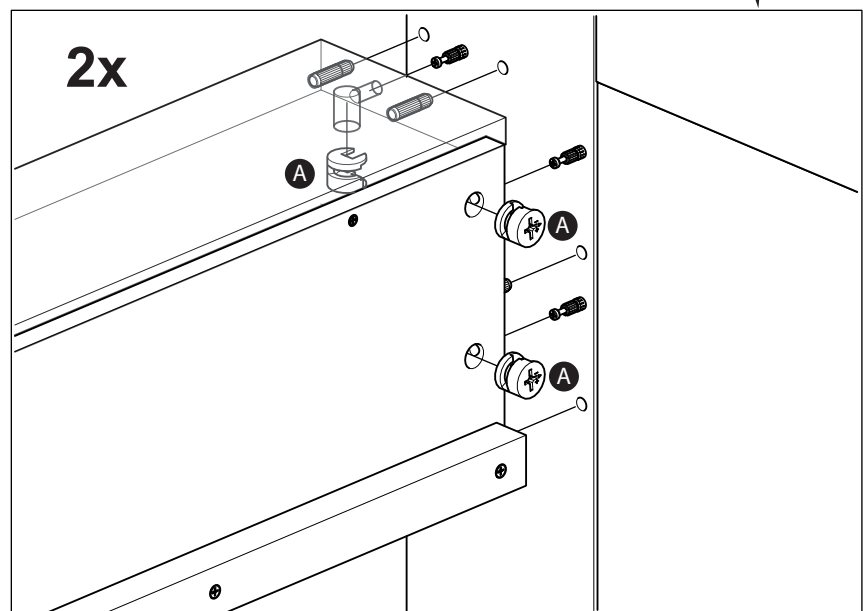
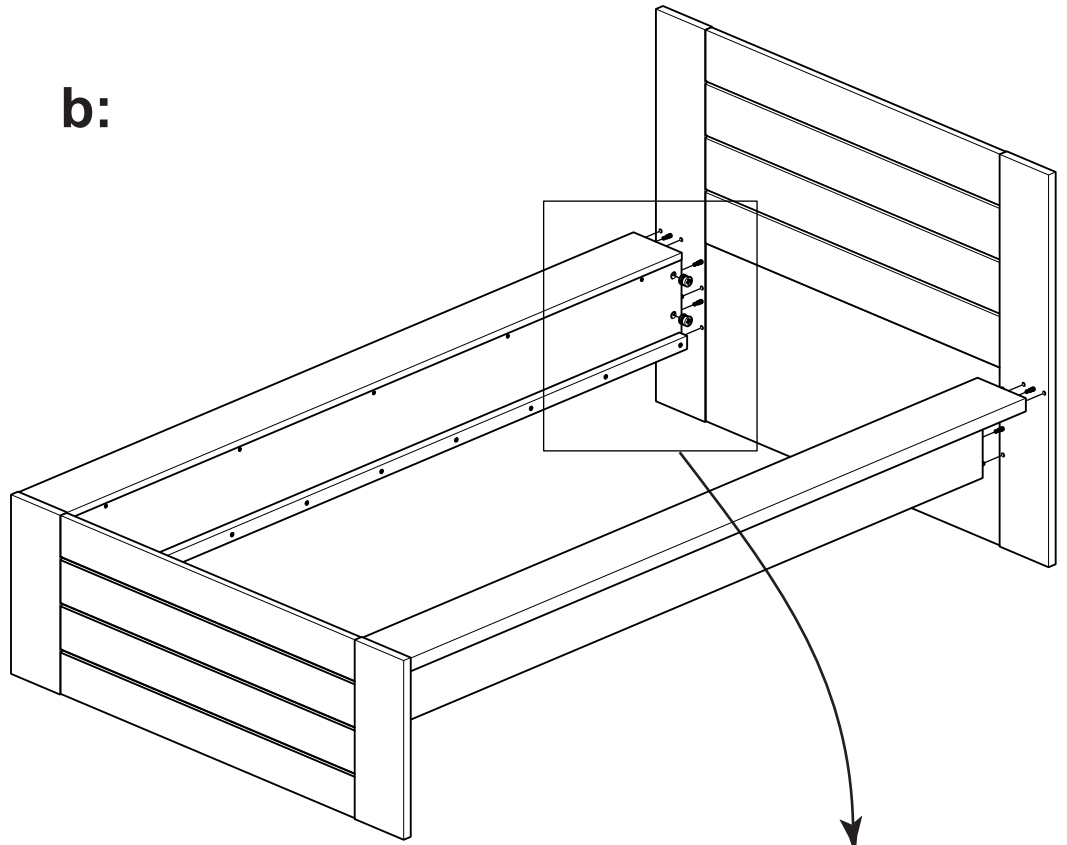
2 people required!

b: Apply a small amount of glue **(H)** onto wood dowel **(C)** already fixed into the left and right side.

Attach the left and right side to the head end using 6x large locking nut **(A)**.

Use a screwdriver to turn 6x locking nut **(A)** clockwise to lock.

b:



Continued on next page.

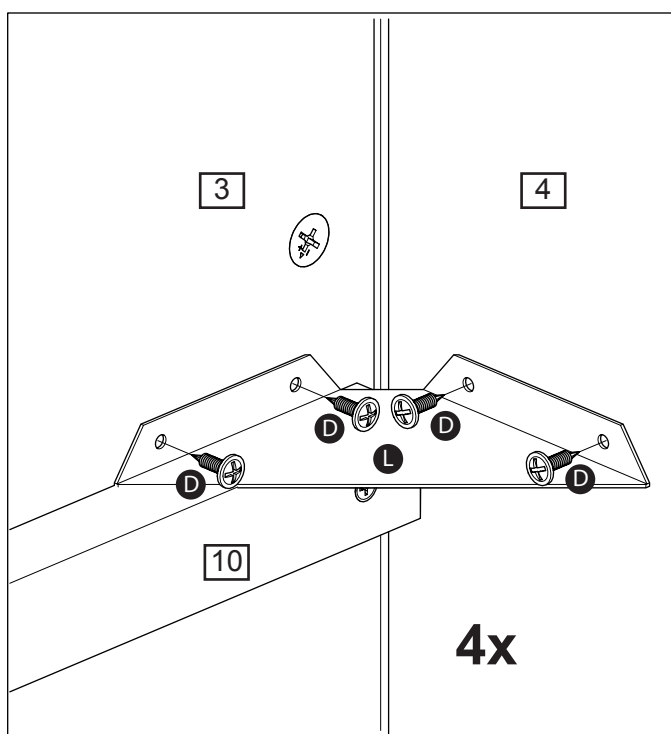
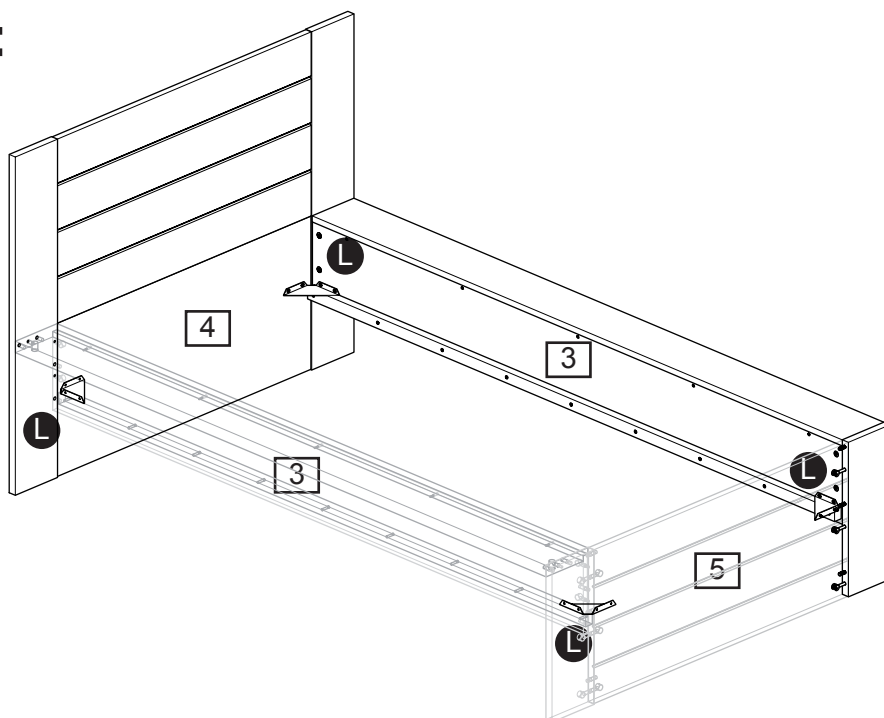
Assembly Instructions

Step 4 - continued

Final assembly

C: Attach 4x corner bracket **L** with each 4x backpanelscrew **D** on the corner of left & right rail **3**, head panel **4** and foot board **5**.

C:



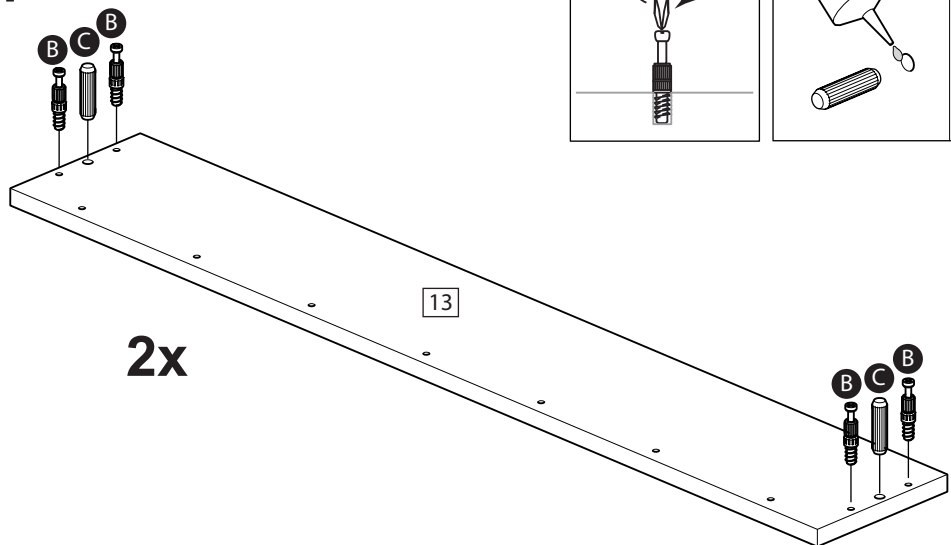
Assembly Instructions

Step 5

Drawer assembly

a: Insert 2x wood dowel **C** with a small amount of glue **H** and screw 4 locking screw **B** into drawer back **13**.

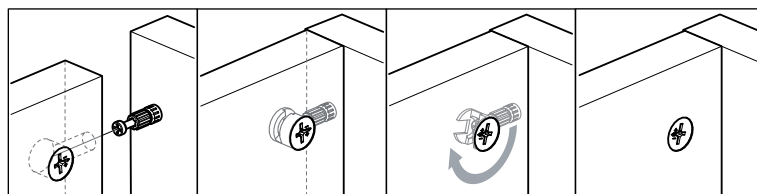
a:



2x

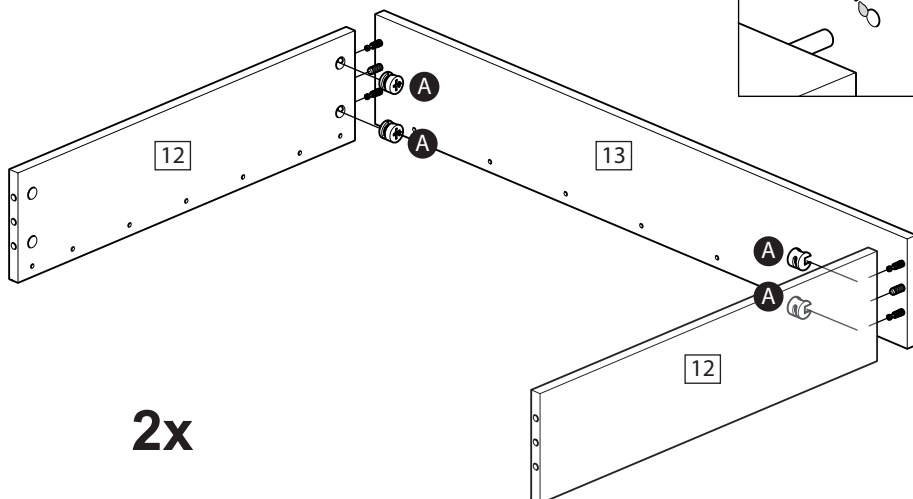
b: Apply a small amount of glue **H** onto 2x wood dowel **C** already fixed onto drawer back **13**.

b:



Attach left & right drawer side **12** onto drawer back **13**, insert 4x large locking nut **A** into left & right drawer side **12**.

Use a screwdriver to turn 4x large locking nut **A** clockwise to lock.



2x

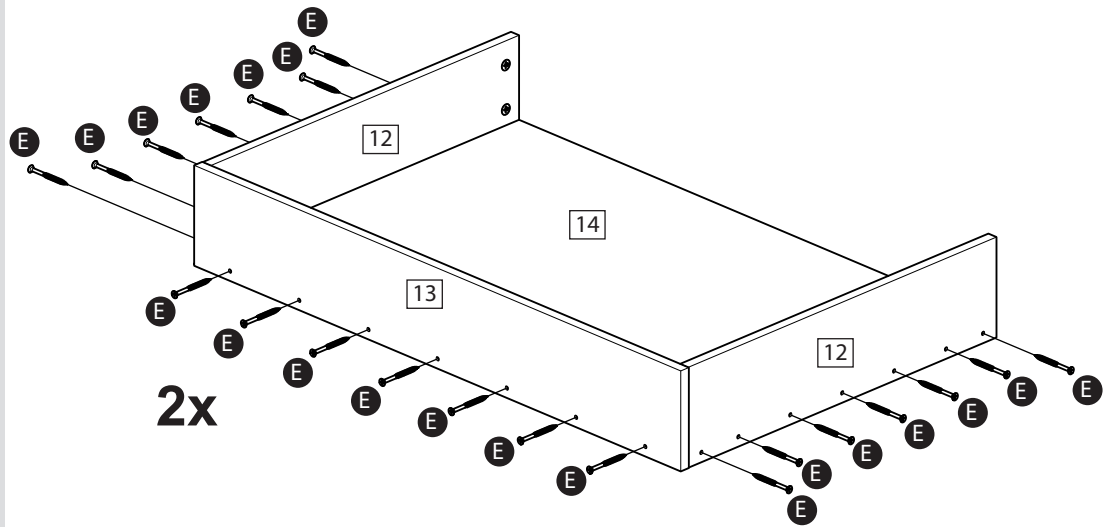
Continued on next page.

Assembly Instructions

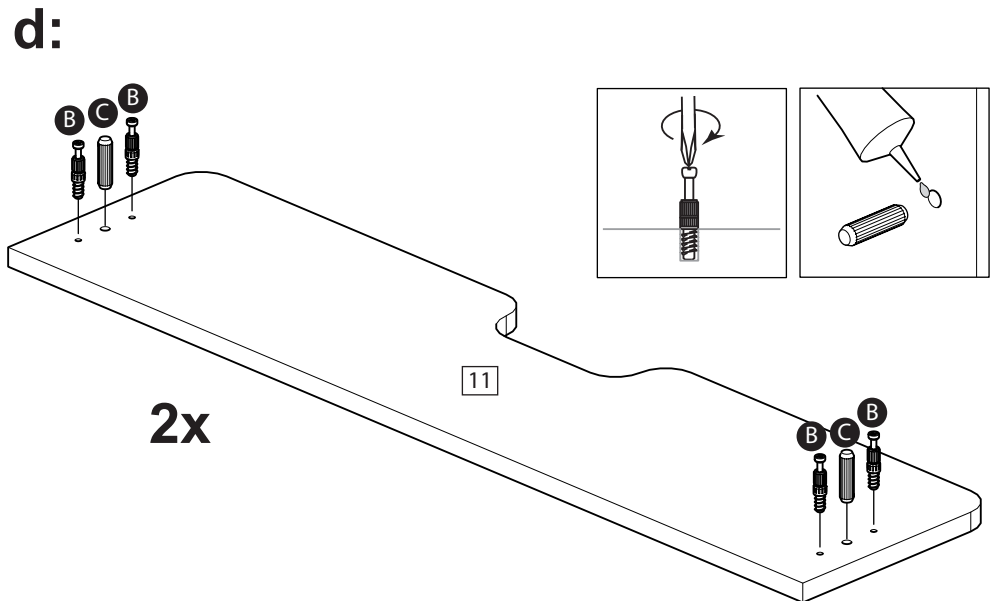
Step 5 - continued

Drawer assembly

c: Attach Drawer base **14** with 21x carcass screw **E** to left & right drawer side **12** & drawer back **13**.



d: Insert 2x wood dowel **C** with a small amount of glue **H** and screw 4x locking screw **B** into drawer front **11**.



Continued on next page.

Assembly Instructions

Step 5 - continued

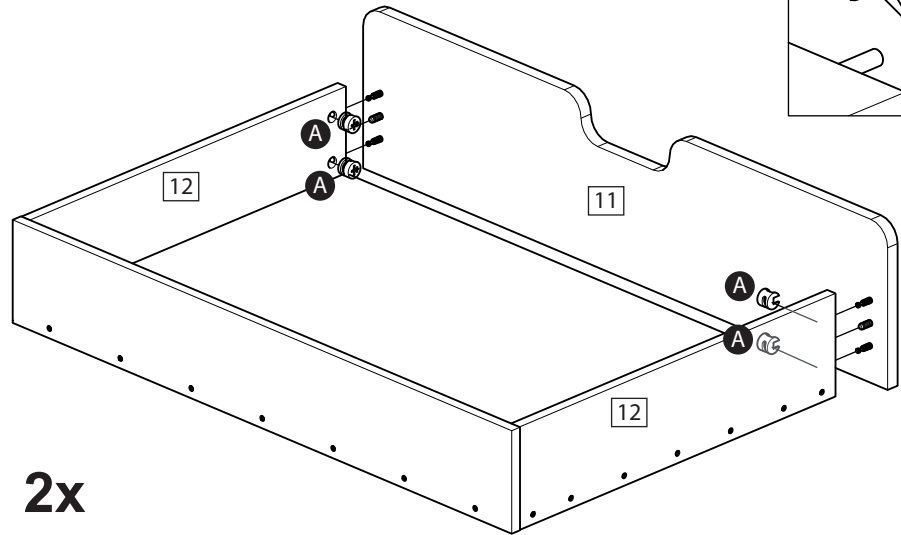
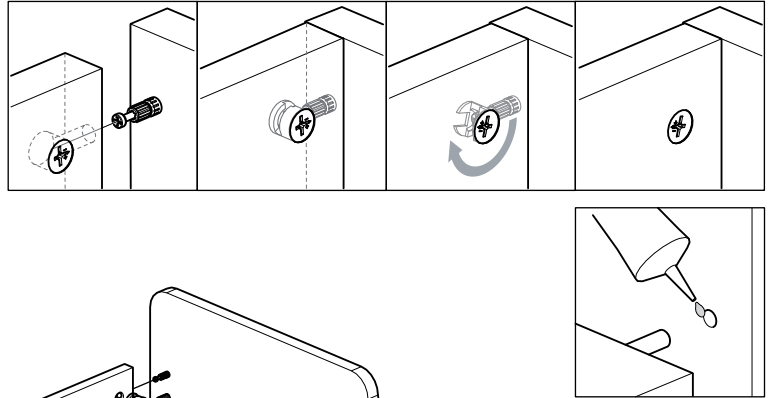
Drawer assembly

e: Apply a small amount of glue **H** onto 2x wood dowel **C** already fixed onto drawer front **11**.

Attach left & right drawer side **12** onto drawer front **11**, insert 4x large locking nut **A** into left & right drawer side **12**.

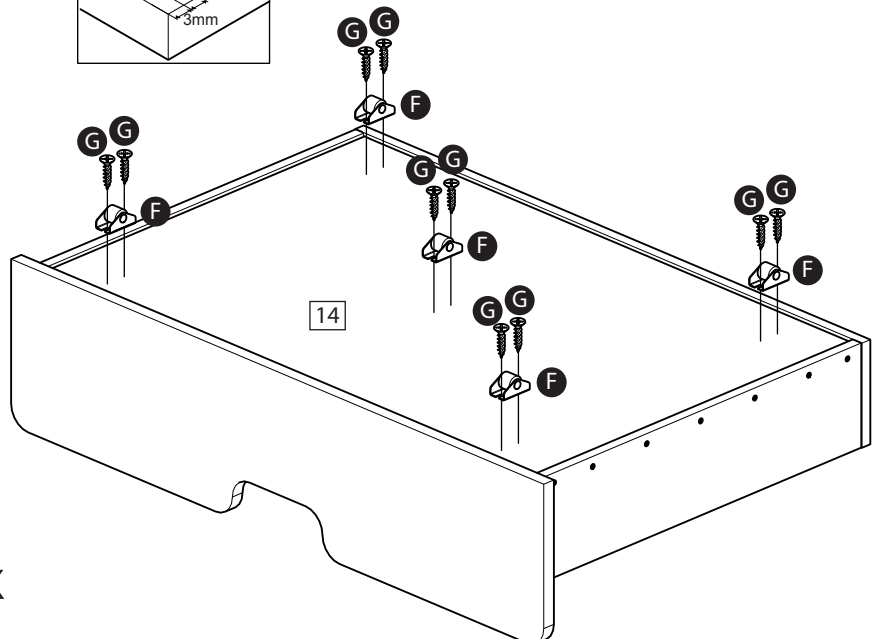
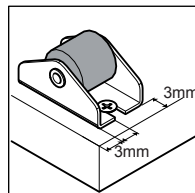
Use a screwdriver to turn 4x large locking nut **A** clockwise to lock.

e:



f: Attach 5x wheel **F** with each 2x chipboardscrew **G** on drawer base **14**.

f:



Assembly Instructions

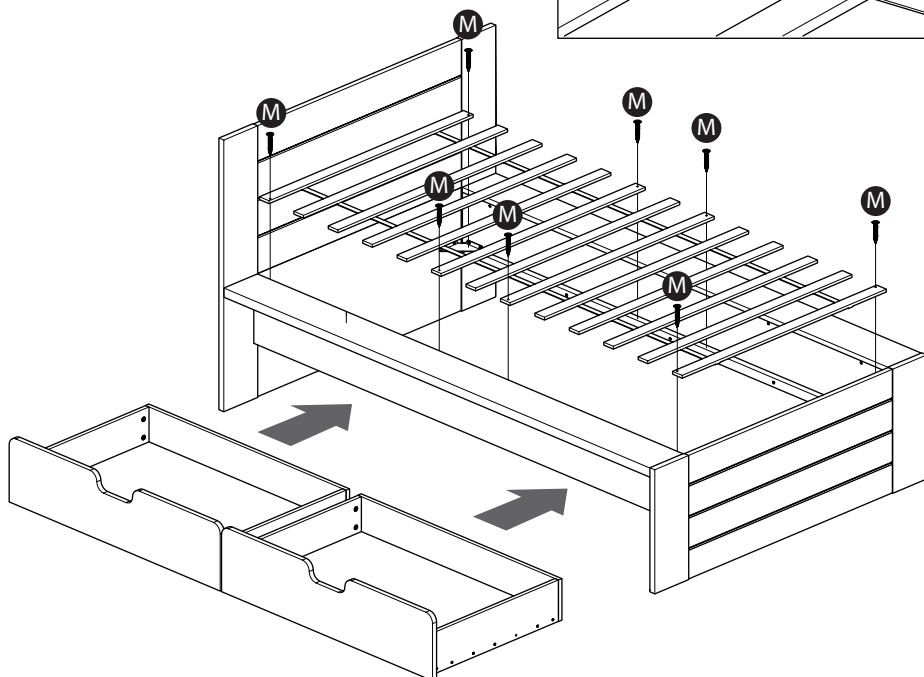
Step 6

Slats and drawers

a: Attach adult 3 ft slats to support beam **10** with 8x chipboard screws **M**.

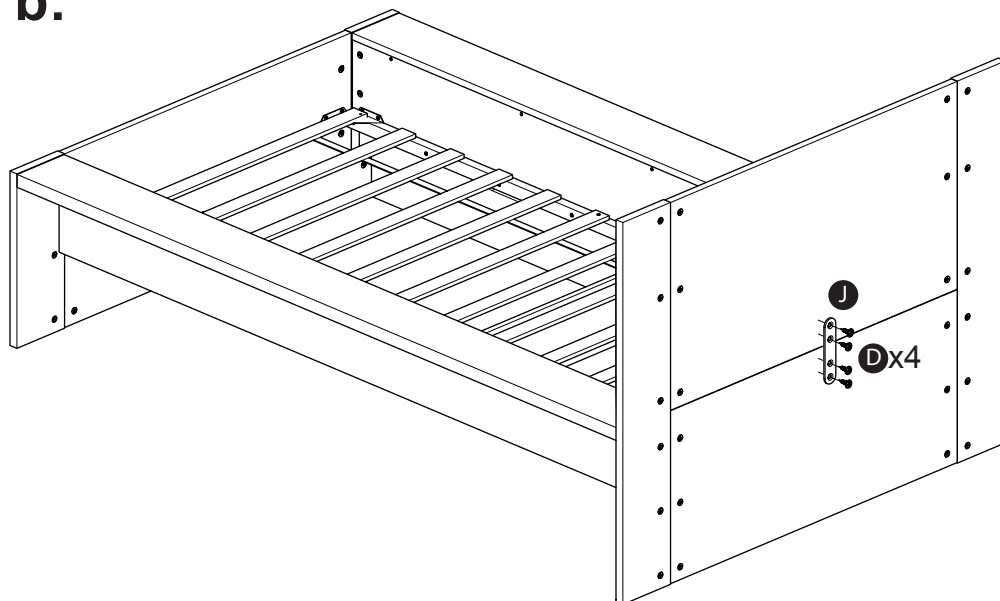
Roll the 2 drawers under the bed.

a:



b: Attach connecting plate **J** on back of head end with 4x backpanelscrews **D**.

b:



The assembly is now completed

If you need help or have damaged or missing parts, call the **Customer Helpline:**
03456 400 800