

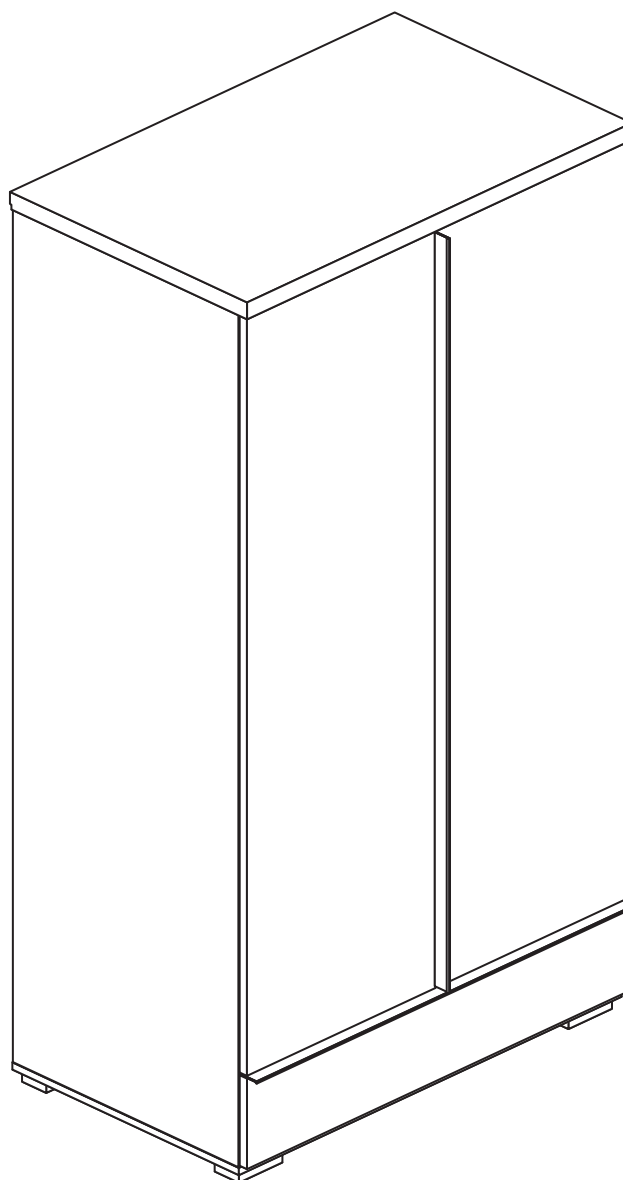
# Linear - 1 Drawer 2 Door Robe

Assembly Instructions - Please keep for future reference

224/8877

246/7294

258/7820



## Dimensions

Width - 79.5cm

Depth - 49cm

Height - 184cm



**MADE IN  
BRITAIN**

**Important** - Please read these instructions fully before starting assembly

If you need help or have damaged or missing parts, call the **Customer Helpline: 08456 400800**



# Safety and Care Advice

**Important - Please read these instructions fully before starting assembly**

- **Warning:** This unit weighs approximately 46kgs. Please lift with care.

- Check you have all the components and tools listed on pages 2 and 3.

- Remove all fittings from the plastic bags and separate them into their groups.

- Keep children and animals away from the work area, small parts could choke if swallowed.

- Parts of the assembly will be easier with 2 people.

- Make sure you have enough space to layout the parts before starting.

- Do not stand or put weight on the product, this could cause damage.

- Assemble the item as close to its final position (in the same room) as possible.

- Assemble on a soft level surface to avoid damaging the unit or your floor (use opened out unit carton).



- We do not recommend the use of power drill/drivers **for inserting screws**, as this could damage the unit. Only use hand screwdrivers.

- **Safety note:** It is recommended that this unit is secured to a wall using the bracket supplied.

- Dispose of all packaging carefully and responsibly.

## Care and maintenance

- Only clean using a damp cloth and mild detergent, do not use bleach or abrasive cleaners.

- From time to time check that there are no loose screws on this unit.

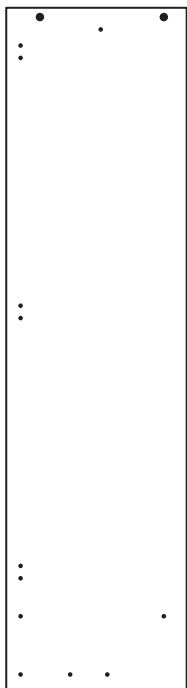
- This product should not be discarded with household waste. Take to your local authority waste disposal centre.

**Note:** If required the next page can be cut out and used as reference throughout the assembly. Keep this page with these instructions for future reference.

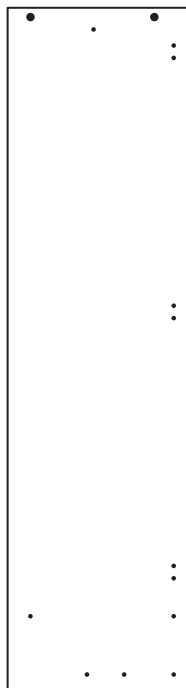
# Components - Panels

If you have damaged or missing components, call the **Customer Helpline: 08456 400800** quoting the reference numbers below

Please check you have all the panels listed below



**1** Left Side (DF148)  
(1763 x 466mm)



**2** Right Side (DF149)  
(1763 x 466mm)



**3** Top (DF150)  
(795 x 490mm)



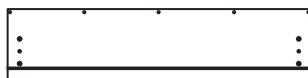
**4** Base (DF154)  
(791 x 468mm)



**5** Hanging Rail (FHR751)  
(751mm long)



**6** Shelf (DF155)  
(759 x 465mm)



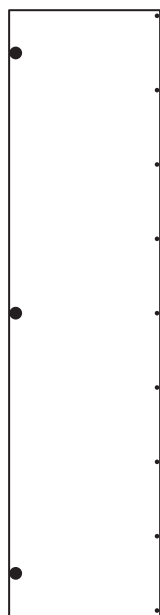
**7** Drawer Front (DF145)  
(783 x 187mm)



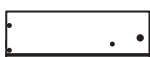
**8** Drawer Back (W708-124)  
(708 x 124mm)



**9** Left Drawer Side (W370-124LH)  
(370 x 124mm)



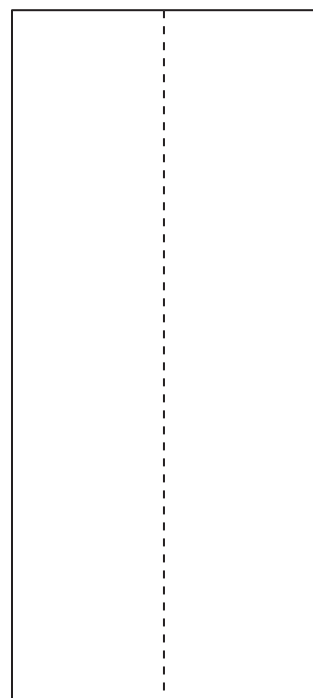
**12** Door (DF156)  
(1565 x 390mm) x 2



**10** Right Drawer Side (W370-124RH)  
(370 x 124mm)



**11** Drawer Base (T719-367)  
(719 x 367mm)



**13** Back (X1784-785)  
(1784 x 785mm)


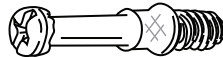



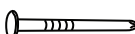








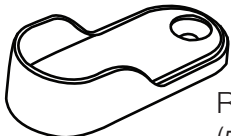
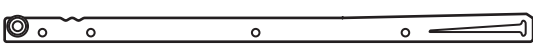

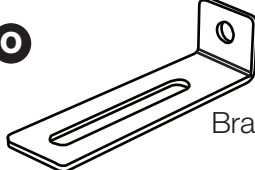
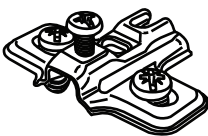
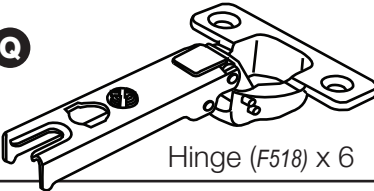
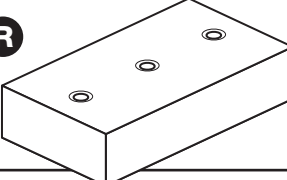

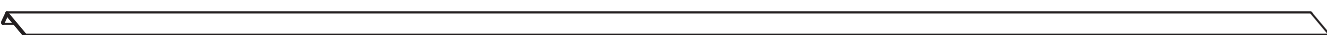


# Components - Fittings

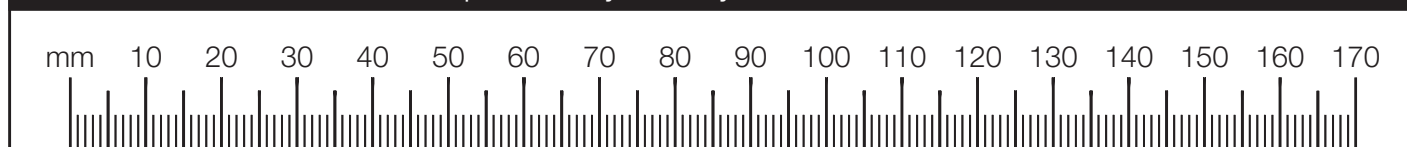
If you have damaged or missing components, call the **Customer Helpline: 0870 112 1928** or **email: Help@ClickSpares.co.uk** (quoting your original order number and the reference numbers below)

Please check you have all the fittings listed below

**Note:** The quantities below are the correct amount to complete the assembly. In some cases more fittings may be supplied than are required.

<p><b>A</b> </p> <p>Wooden dowel (F22) x 8</p>	<p><b>B</b> </p> <p>Metal dowel (F901) x 10</p>	<p><b>C</b> </p> <p>Small locking nut (F3) x 2</p>
<p><b>D</b> </p> <p>Large locking nut (F900) x 8</p>	<p><b>E</b> </p> <p>Knock-in Peg (F171GY) x 4</p>	<p><b>F</b> </p> <p>Nail (F51) x 34</p>
<p><b>G</b> </p> <p>40mm Screw (F910) x 4</p>	<p><b>H</b> </p> <p>38mm Screw (F81) x 8</p>	<p><b>I</b> </p> <p>13mm Screw (F52) x 6</p>
<p><b>J</b> </p> <p>13mm Screw (F79) x 15</p>	<p><b>K</b> </p> <p>13mm Screw (F63) x 22</p>	<p><b>L</b> </p> <p>Wedgefix (F639) x 4</p>
<p><b>M a</b>  L Runner (F159) x 1 ← 350mm long →</p> <p><b>M b</b>  R Runner (F160) x 1</p>	<p><b>N</b> </p> <p>Rail Holder (F891) x 2</p>	
<p><b>M c</b>  L Runner (F161) x 1</p> <p><b>M d</b>  R Runner (F162) x 1</p>	<p><b>O</b> </p> <p>Bracket (F327) x 1</p>	
<p><b>P</b> </p> <p>Hinge plate (F523) x 6</p>	<p><b>Q</b> </p> <p>Hinge (F518) x 6</p>	<p><b>R</b> </p> <p>Foot (F233) x 4</p>
<p><b>S</b> </p> <p>Handle (F283) x 1 - 780mm long</p>		
<p><b>T</b> </p> <p>Handle (F331) x 1 - 1560mm long</p>		

**Ruler** - Use this ruler to help correctly identify the screws



# Assembly Instructions

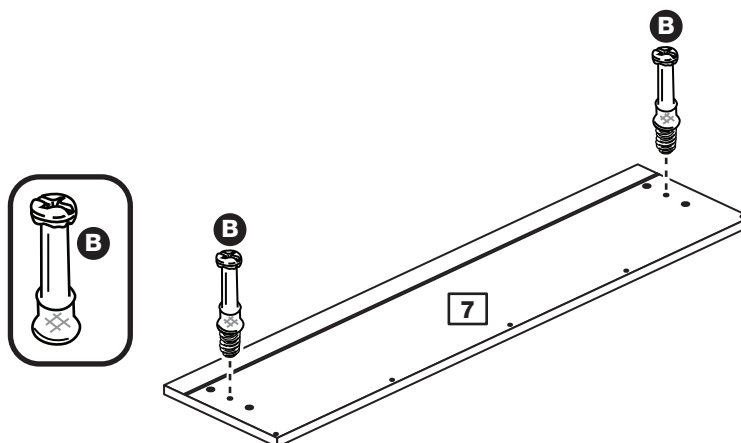
If you have damaged or missing components, call the  
**Customer Helpline: 08456 400800** quoting the reference  
numbers below

## Step 1

### Prepare the drawer front

Screw 2 metal dowels **B** into the drawer front **7**.

**Note:** Tighten the metal dowels up fully against the panels.

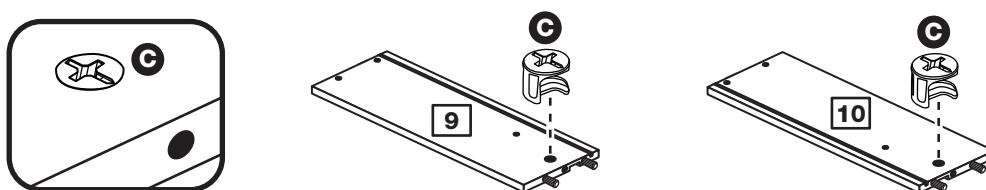


## Step 2

### Prepare the drawer sides

Insert a small locking nut **C** into the hole shown on the left drawer side **9** and the right drawer side **10**.

**Note:** The arrow on the locking nut **must** point towards the hole in the edge of the panel.



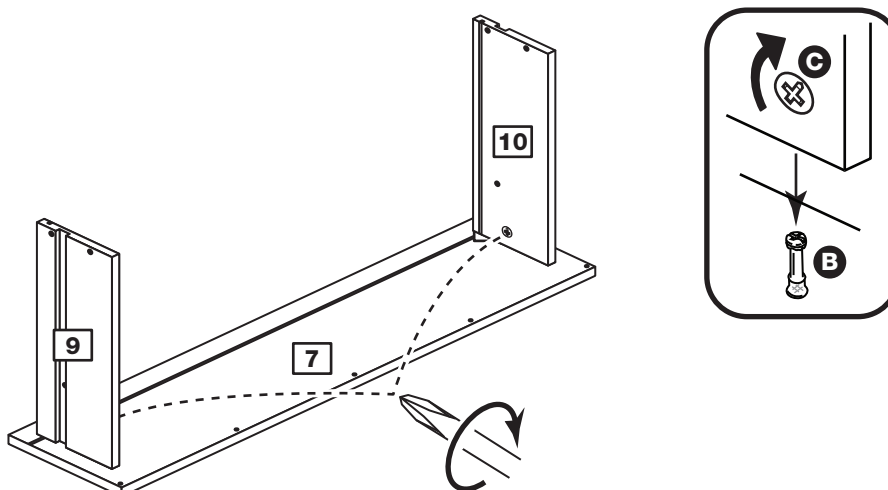
## Step 3

### Attach the drawer sides to the drawer front

Push the left drawer sides **9** and right drawer sides **10** onto the back of the drawer front **7**.

Turn the small locking nuts **C** on the left drawer side **9** and right drawer side **10**.

**Note:** Turn the locking nuts **C** clockwise to secure panels - more than 1/2 a turn.

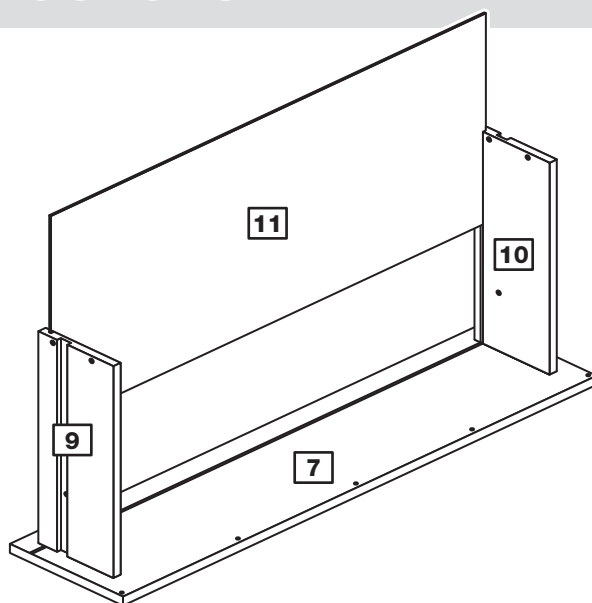


# Assembly Instructions

## Step 4

### Fit the drawer base

Slide the drawer base **11** down the grooves in the drawer sides **9** and **10** and down into the groove in the drawer front **7**.

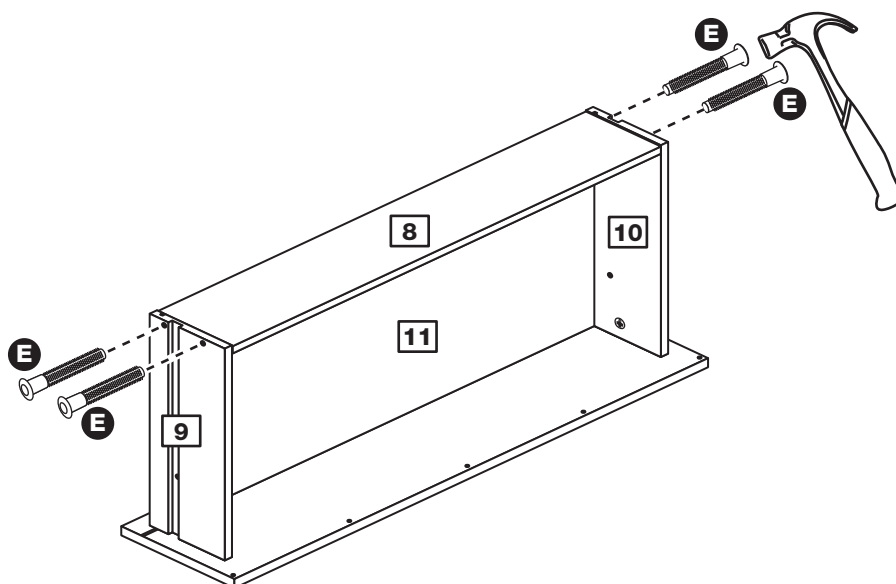


## Step 5

### Fit the drawer back

Fit the drawer back **8** between the drawer sides **9** and **10**. Make sure that the drawer base **11** fits into the groove in the drawer back **8**.

Hold the drawer back **8** in position and tap the knock-in pegs **E** through the holes in the drawer sides **9** and **10**.

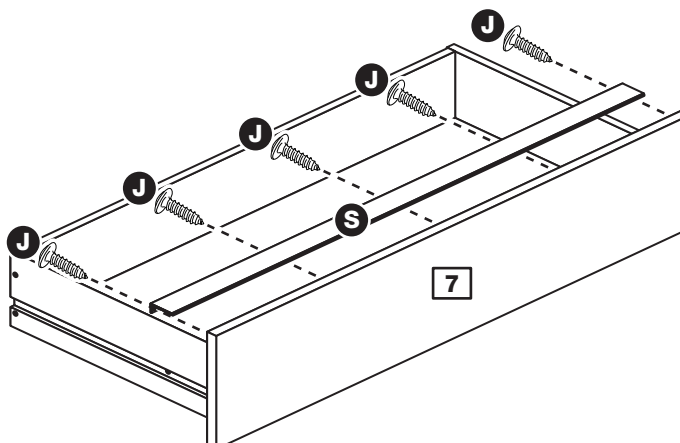


## Step 6

### Fit the handle

Position the handle **S** onto the top edge of the drawer front **7**.

Fix the handle **S** to the back surface of the drawer front **7** using 5 screws **J**.

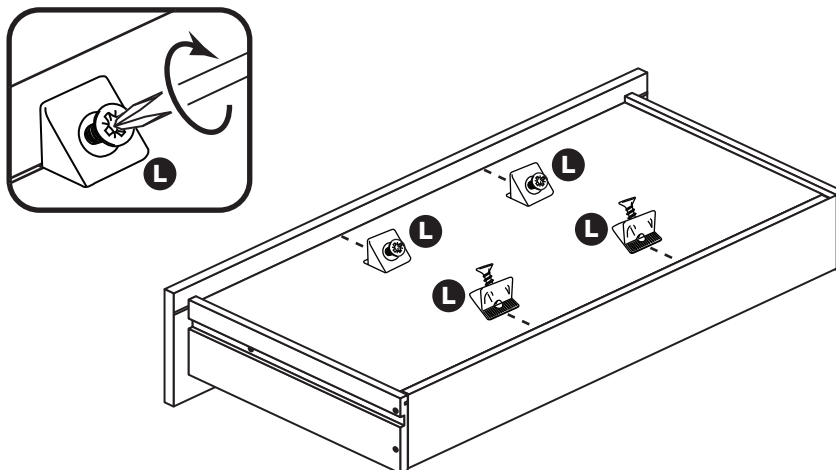


# Assembly Instructions

## Step 7

### Fit the wedgfixes

Turn the drawer assemblies over and slide 4 wedgfixes **L** into the front and back grooves, as shown, and tighten up the screws.

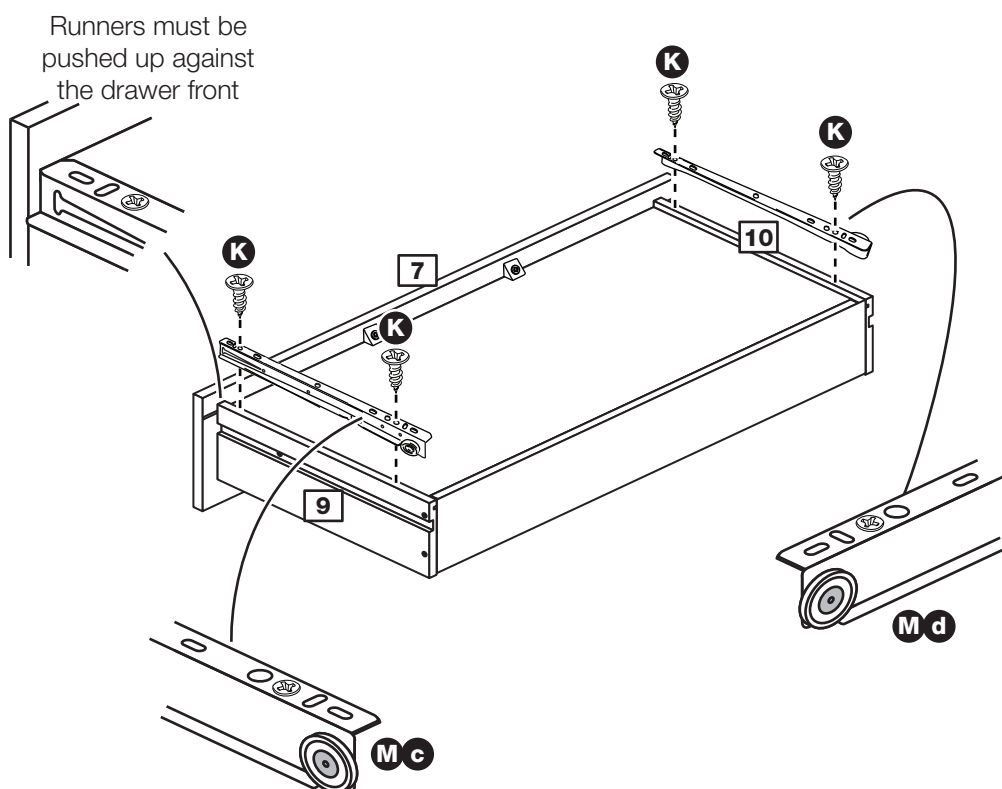


## Step 8

### Fit runners to the drawers

Fit the runner **M c** to the bottom edge of the left drawer side **9**, as shown, making sure that it is pushed up against the back of the drawer front **7**. Use a bradawl to mark the fixing positions, then secure with 2 screws **K**.

Fit the runner **M d** to the bottom edge of the right drawer side **10** using the same method.



# Assembly Instructions

## Step 9

### Prepare the left side

**a:** Fit the runner **Ma** to the left side **1**.

The 1st screw **I** uses the 2nd hole in from the front of the runner.

The 2nd and 3rd screws **I** use the holes that line up with the other panel holes.

Tap 4 wooden dowels **A** into the left side **1**.

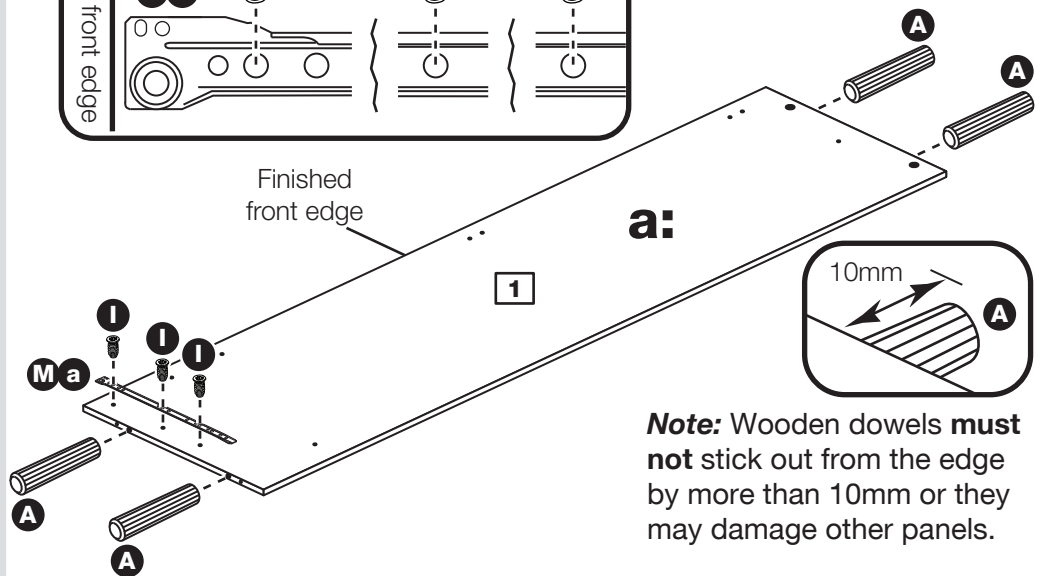
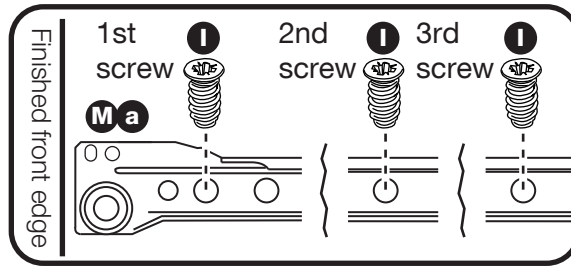
**b:** Fit a screw **K** into the 2nd hole in at the top of the runners **Ma**.

Screw 2 metal dowels **B** into the left side **1**.

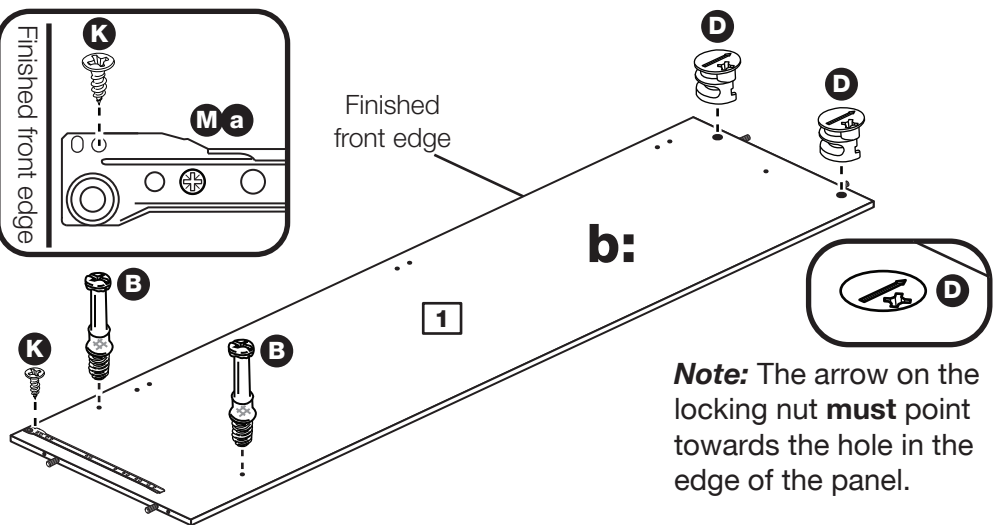
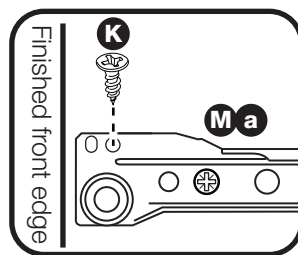
Insert 2 large locking nuts **D** into the left side **1**.

**c:** To fit the rail holder **N** screw through the top hole with screw **K** and into the mark hole drilled in the left side **1**. Make sure that it is fitted straight, in line with the panel edges and then fit another screw **K** using the lower hole.

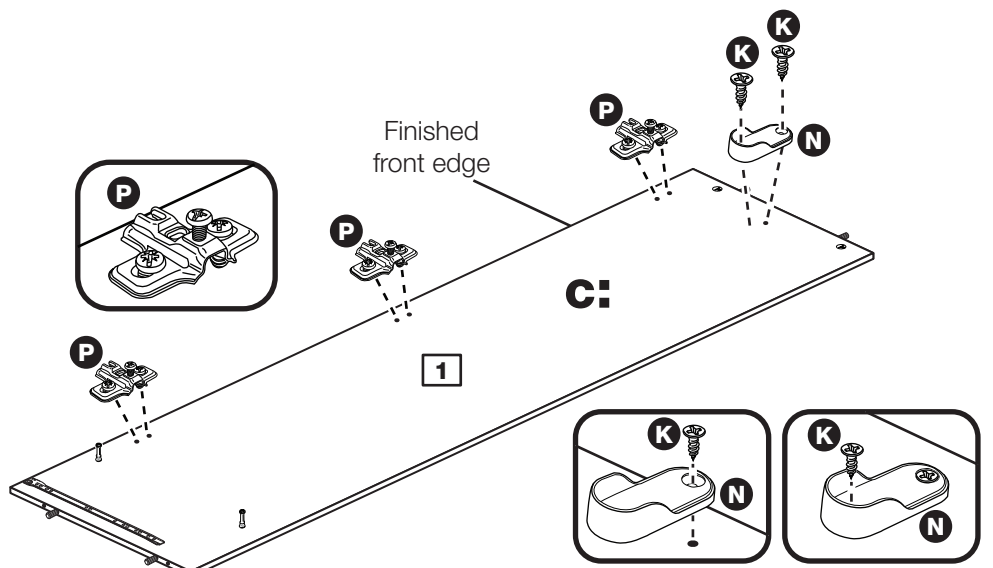
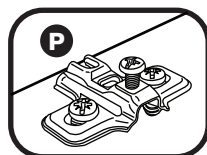
Fit 3 hinge plates **P** onto the left side **1**, making sure that the slot is facing towards the finished front edge.



**Note:** Wooden dowels **must not** stick out from the edge by more than 10mm or they may damage other panels.



**Note:** The arrow on the locking nut **must** point towards the hole in the edge of the panel.





# Assembly Instructions

## Step 10

### Prepare the left side

**a:** Fit the runner **M b** to the right side **2**.

The 1st screw **I** uses the 2nd hole in from the front of the runner.

The 2nd and 3rd screws **I** use the holes that line up with the other panel holes.

Tap 4 wooden dowels **A** into the right side **2**.

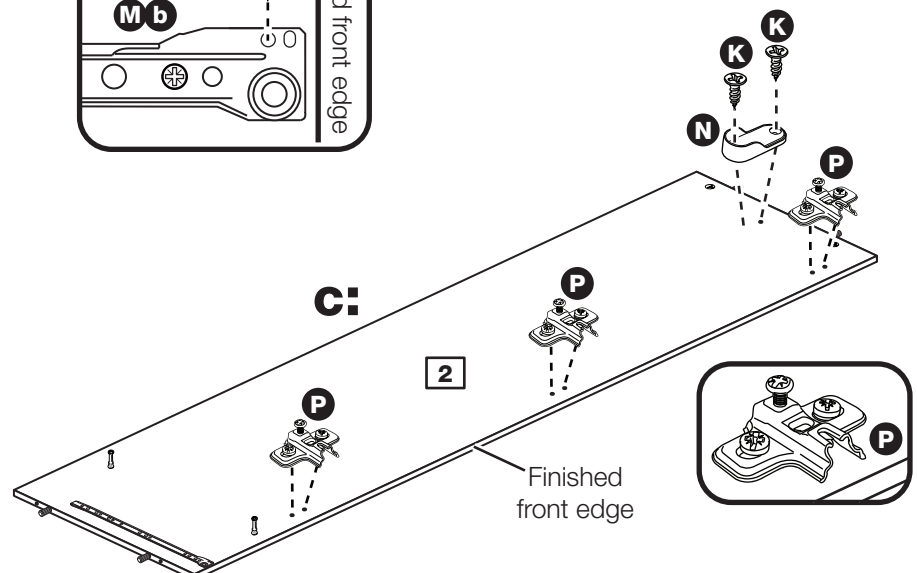
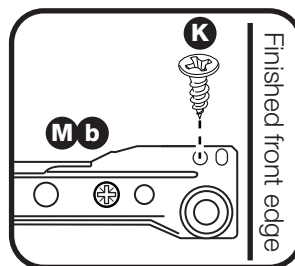
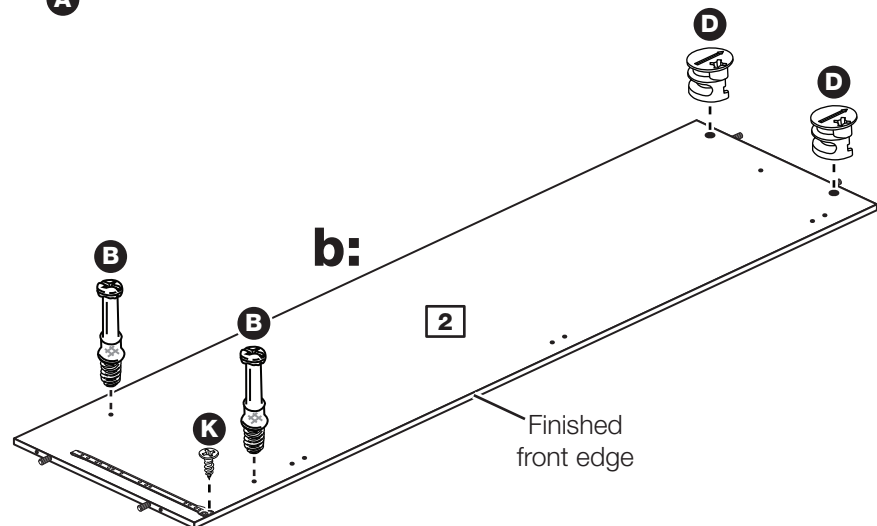
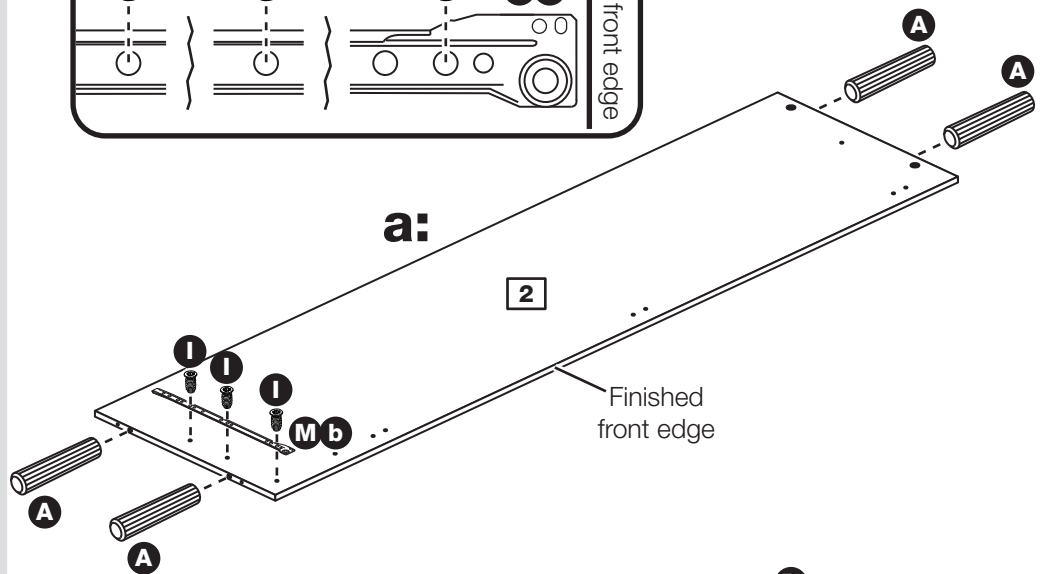
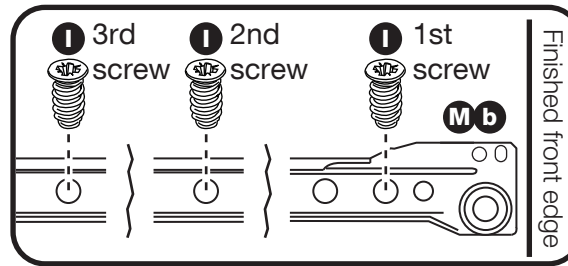
**b:** Fit a screw **K** into the 2nd hole in at the top of the runners **M b**.

Screw 2 metal dowels **B** into the right side **2**.

Insert 2 large locking nuts **D** into the right side **2**.

**c:** To fit the rail holder **N** screw through the top hole with screw **K** and into the mark hole drilled in the right side **2**. Make sure that it is fitted straight, in line with the panel edges and then fit another screw **K** using the lower hole.

Fit 3 hinge plates **P** onto the right side **2**, making sure that the slot is facing towards the finished front edge.

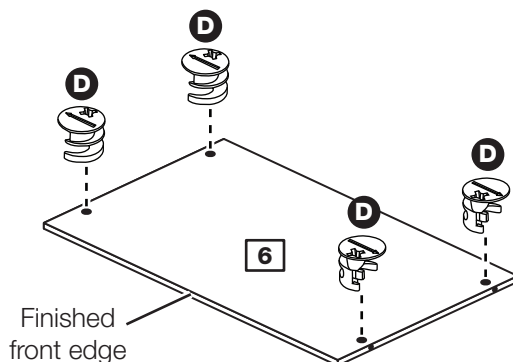


# Assembly Instructions

## Step 11

### Prepare the shelf

Insert 4 large locking nuts **D** into the shelf **6**.



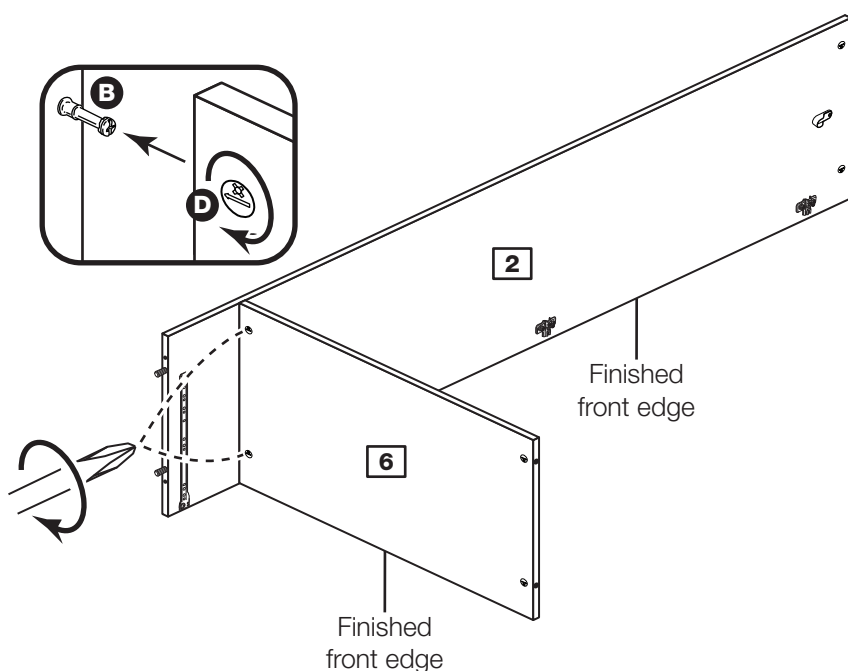
## Step 12

### Fit the shelf to the right side

Push the shelf **6** onto the right side **2**.

Use a screwdriver to tighten the 2 large locking nuts **D** fitted to the shelf **6**.

**Note:** Turn the large locking nuts **D** as far as they will go - more than 1/2 a turn.

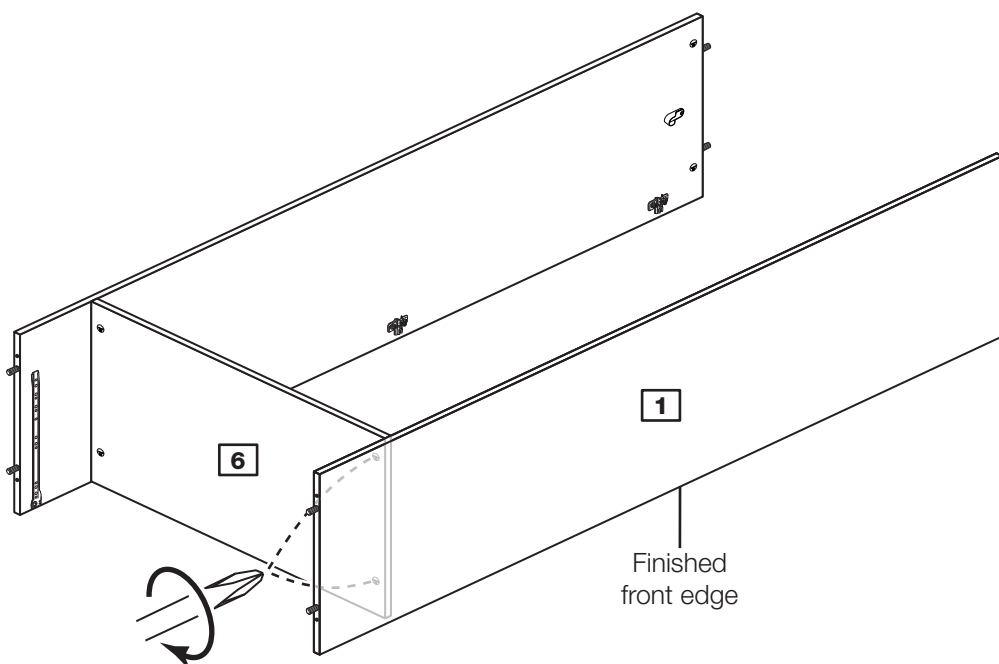


## Step 13

### Fit the left side to the shelf

Push the left side **1** onto the shelf **6**.

Use a screwdriver to tighten the 2 large locking nuts **D** fitted to the shelf **6**.

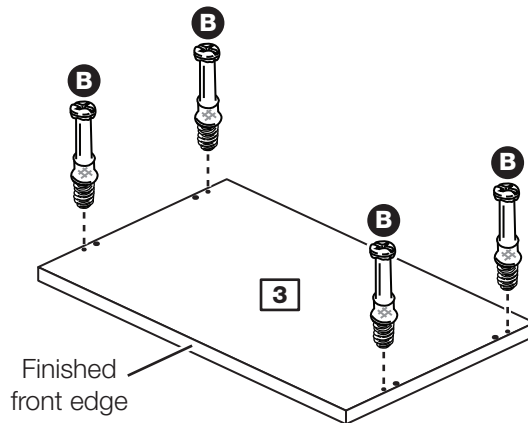


# Assembly Instructions

## Step 14

### Prepare the top

Screw 4 metal dowels **B** into the top **3**.



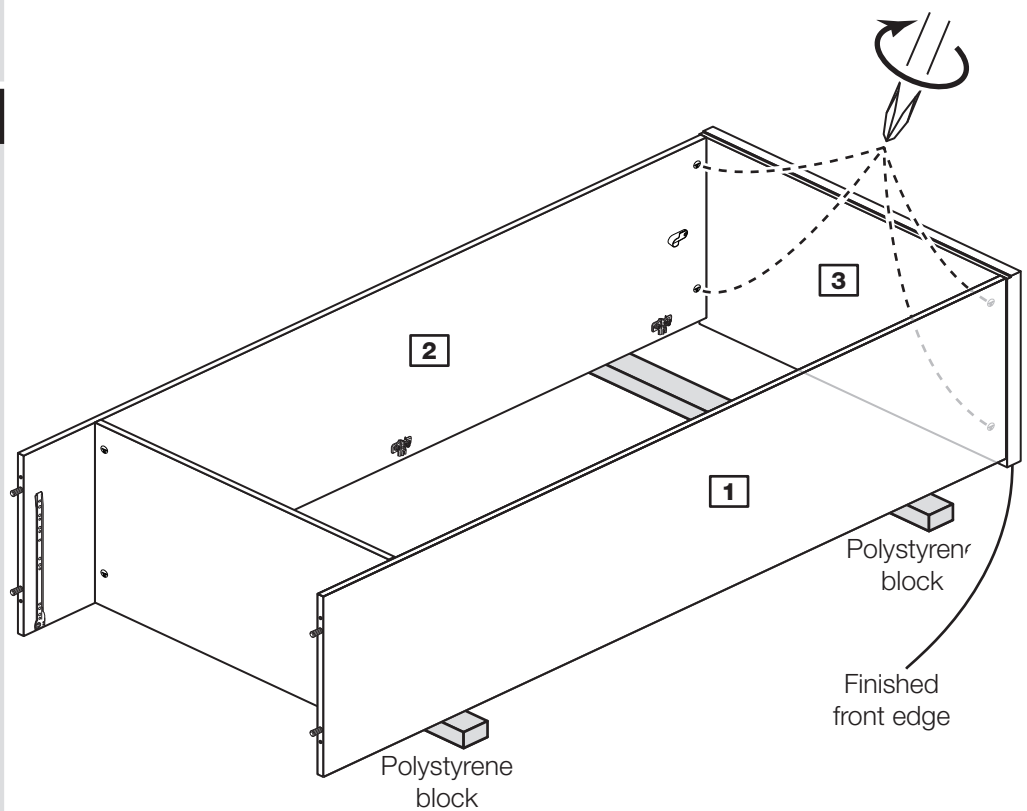
## Step 15

### Fit the right side to the top

**Note:** To make it easier to fit the top and base panels, place polystyrene blocks from the packaging underneath the side panels to raise the assembly.

Push the top **3** onto the assembly.

Use a screwdriver to tighten the 4 large locking nuts **D** fitted to the left side **1** and right side **2**.



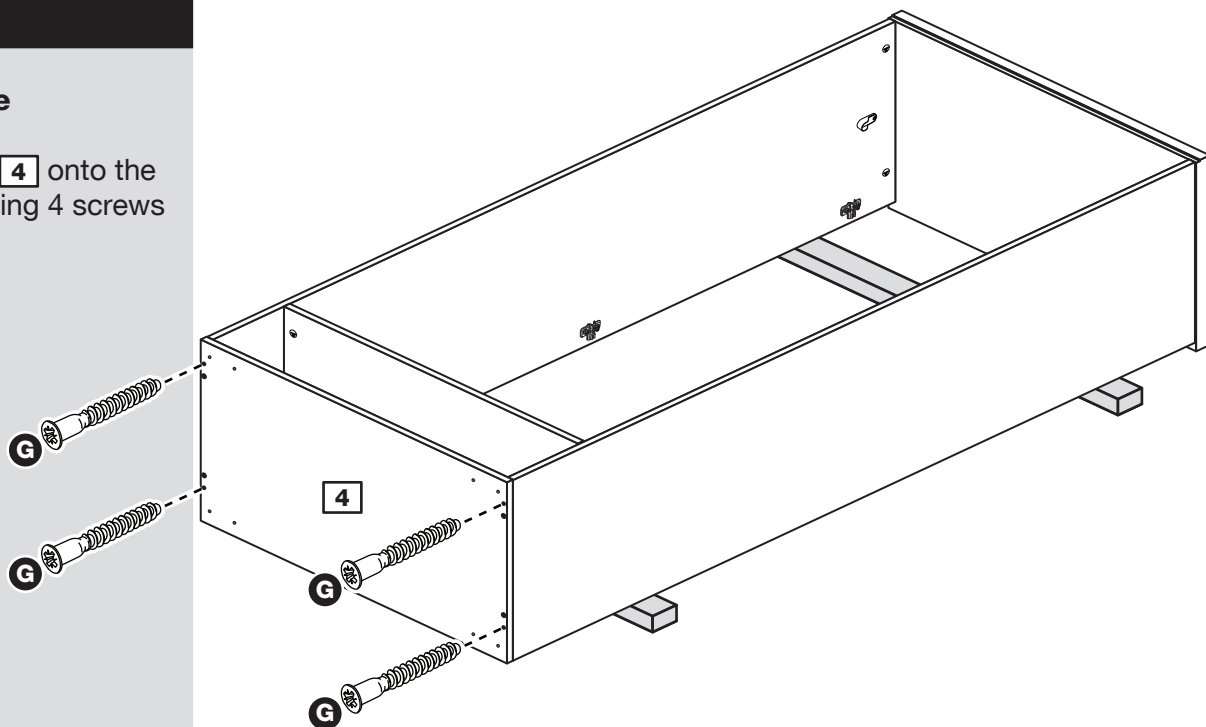
# Assembly Instructions

## Step 16

### Fit the base

Fit the base **4** onto the assembly using 4 screws **G**.

**G**.

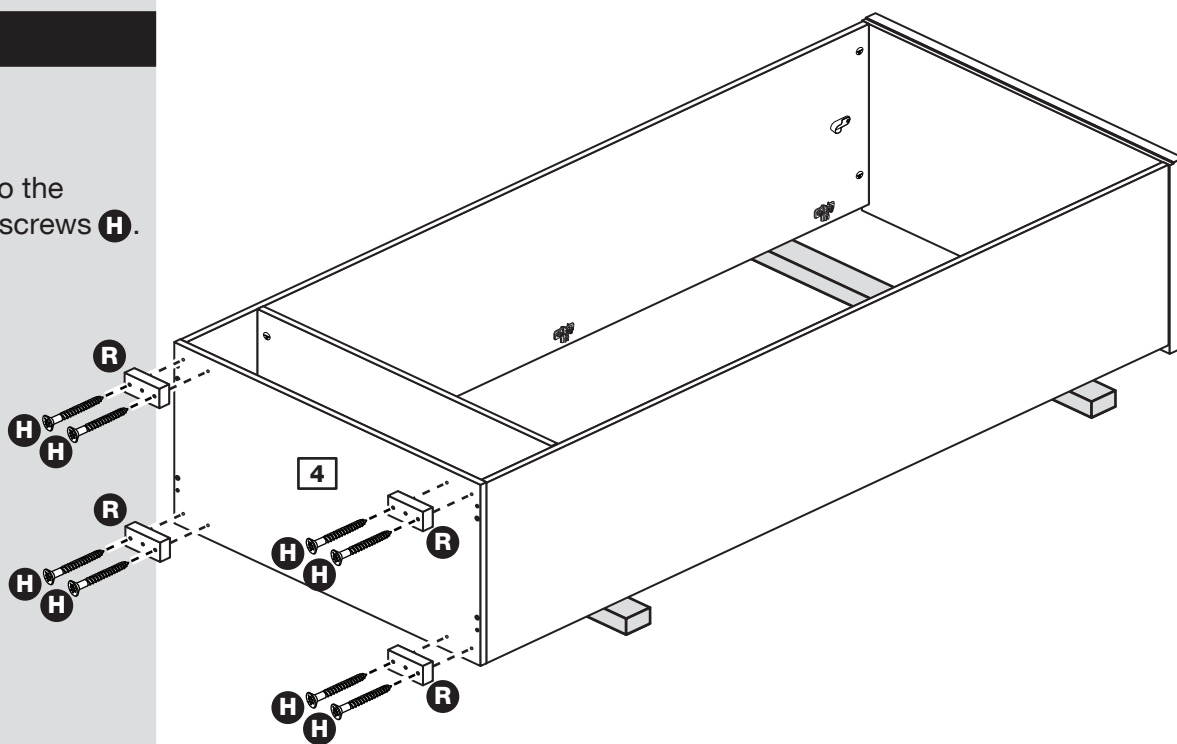


## Step 17

### Fit the feet

Fit the feet **R** to the base **4** using screws **H**.

**H**.



# Assembly Instructions

## Step 18

### Fit the back

**a:** Square up the unit by making sure that measurement **x to x** equals **y to y**.

**b:** Place the back **13** onto the unit.

Nail **F** around the outside edges of the back **13**.

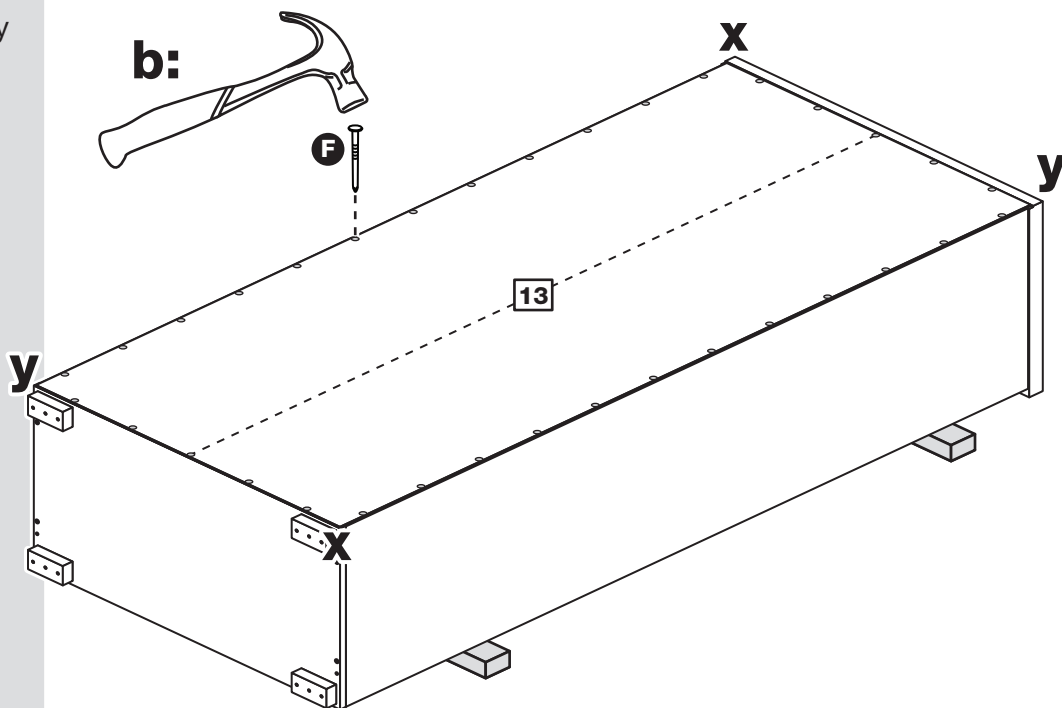
**Note:** Nails should be evenly spaced out.

**Stand the unit up for the next step.**



**Warning:** The unit is heavy. Lift with care.

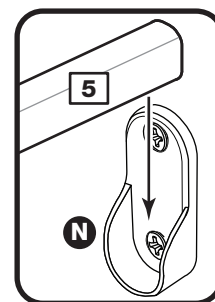
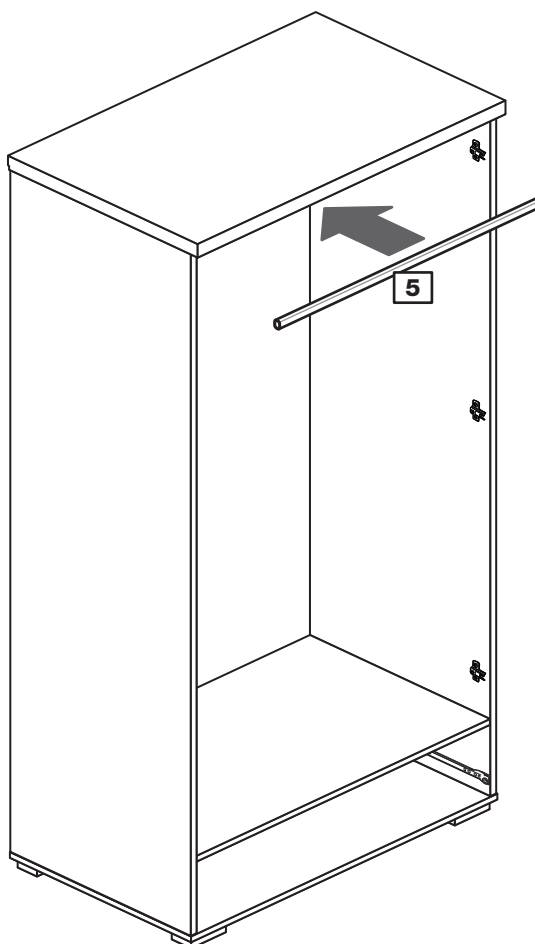
**a:** The measurement from top corner X to bottom corner X must be equal to the measurement from top corner Y to bottom corner Y



## Step 19

### Fit the hanging rail

Push the hanging rail **5** into the rail holders **N** fitted to the side panels.

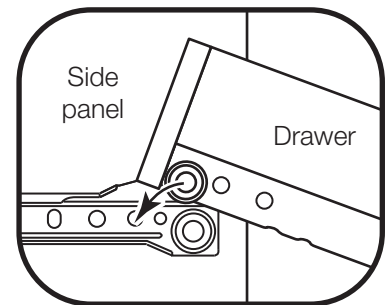
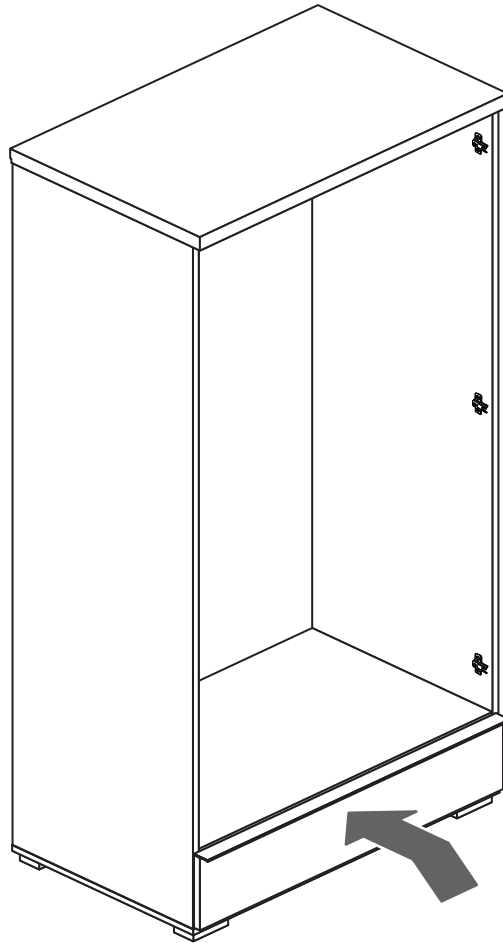


# Assembly Instructions

## Step 20

### Fit the drawer

Slide the wheels of the runners fitted to the drawer, over the wheels of the runners fitted to the side panels and push the drawer into position.

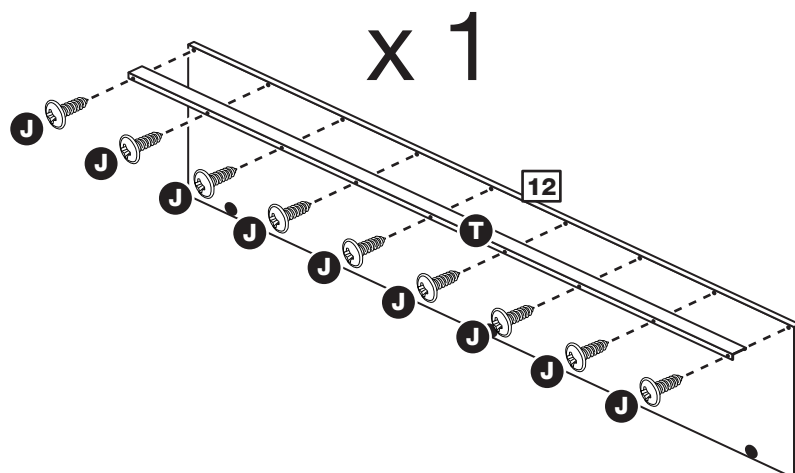


## Step 21

### Fit a handle to 1 of the doors

Position the handle **T** onto the side edge of 1 of the doors **12**.

Fix the handle **T** to the back surface of the door **12** using 9 screws **J**.



# Assembly Instructions

## Step 22

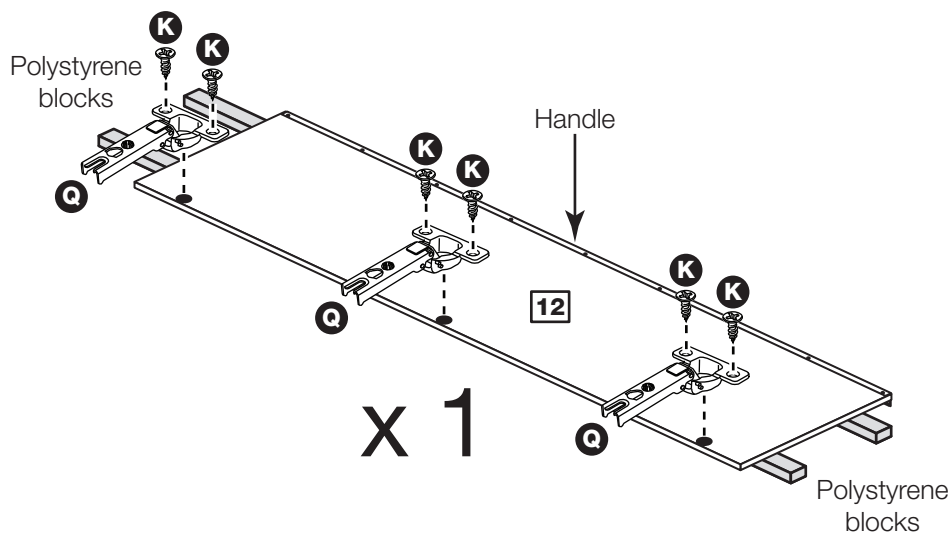
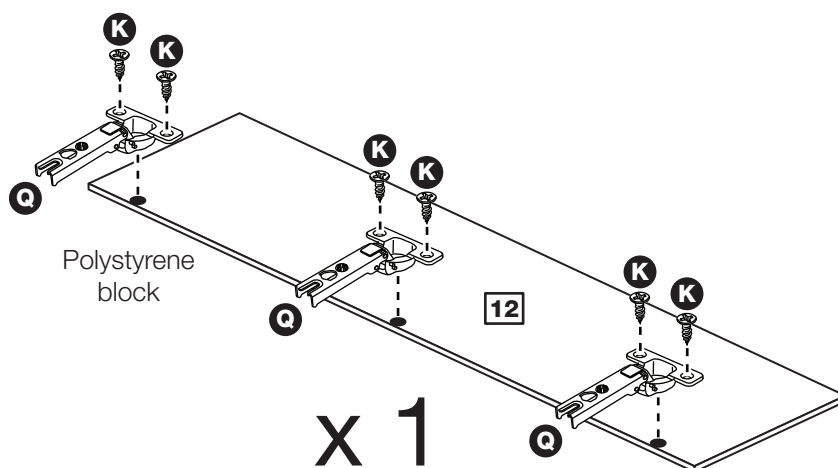
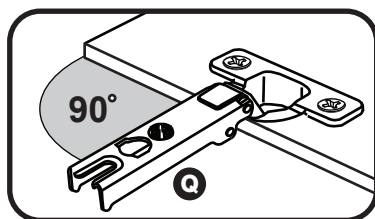
### Fit the hinges to the doors

**Note:** To make it easier to fit the hinges and to protect the handle, place polystyrene blocks from the packaging underneath the door with the handle to raise it up.

Push fit 3 hinges **Q** into each of the doors **12**.

Secure each hinge with 2 screws **K**.

**Note:** Before securing with the screws, make sure that the hinges are positioned at 90 degrees with the edge of the door.



# Assembly Instructions

## Step 23

### Fit the doors

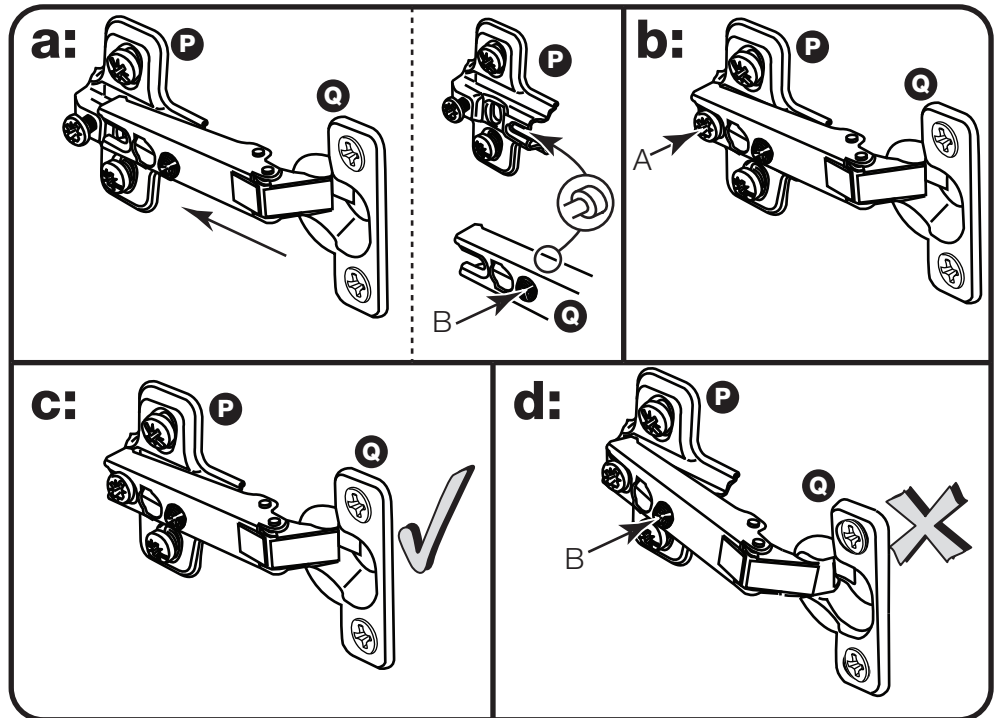
**Note:** The easiest way to attach each door **12** is to fit the top hinge first, then align and fit the other hinges.

**a:** Push the hinge **Q** onto the front part of the hinge plate **P**. The recess at the bottom of screw B goes into the slot in the hinge plate.

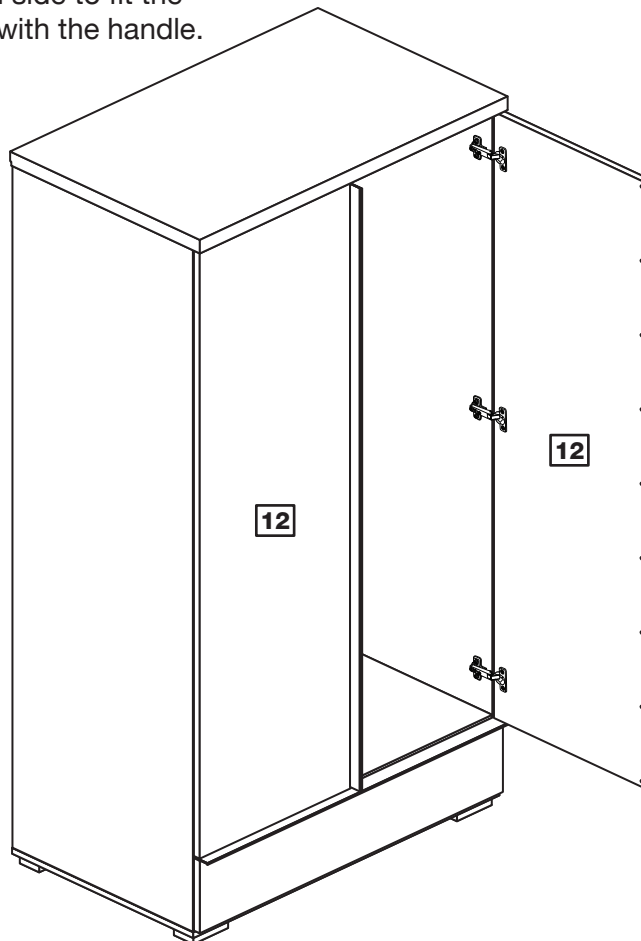
**b:** Keep the hinge **Q** FLAT against the hinge plate **P** as you slide it across as far as it will go. Tighten screw A.

**c:** The hinge **Q** must be flat against the hinge plate **P** prior to any adjustment.

**d:** The hinge **Q** must NOT be AT AN ANGLE to the hinge plate **P** when assembled. This would indicate that the recess at the bottom of screw B had not located in the slot in the hinge plate and the hinge would not be secure. Remove the hinge from the hinge plate and then re-assemble being careful to follow instructions a-c.



**Note:** You can choose which side to fit the door with the handle.





# Assembly Instructions

## Step 24

### Adjust the doors if needed

**a:** Before adjusting the doors, use a spirit level to check the base (or top) of the unit is level, front-to-back and side-to-side in the 3 positions shown. Use suitable packing pieces (not supplied) to make the unit level BEFORE making any adjustment to the hinges, as shown.

### **b:** Height adjustment.

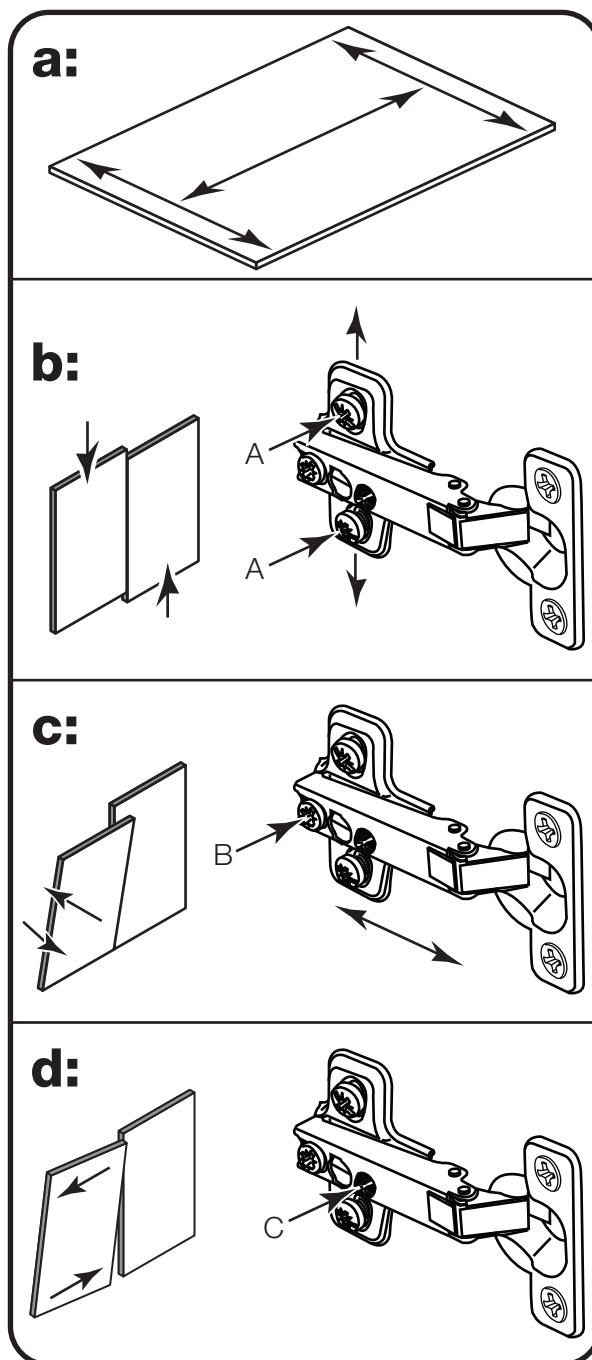
Loosen screws A on hinge plates and move door up or down as required. Retighten screw A.

### **c:** Forward and Back adjustment.

Loosen screw B on hinge plate and move door in or out as required. Retighten screw B.

### **d:** Sideways adjustment.

To move door 'out' loosen screw C. To move door 'in' tighten screw C.



# Assembly Instructions

## Step 25

### Fit the bracket

To prevent possible overbalancing, we recommend that this unit is secured to a suitable wall by use of the bracket **ⓐ** fitted to the top of the unit.

Fixings are not supplied, as they will need to suit the wall type and the length of screw will depend on the distance from the back of the unit to the wall.

Fix the bracket **ⓐ** loosely onto the top of the unit using screw **Ⓝ** and mark the wall for the wall fixing.

Swivel the bracket **ⓐ** away from the wall and drill a hole in the wall using a suitable drill bit and fit your wall fixing.

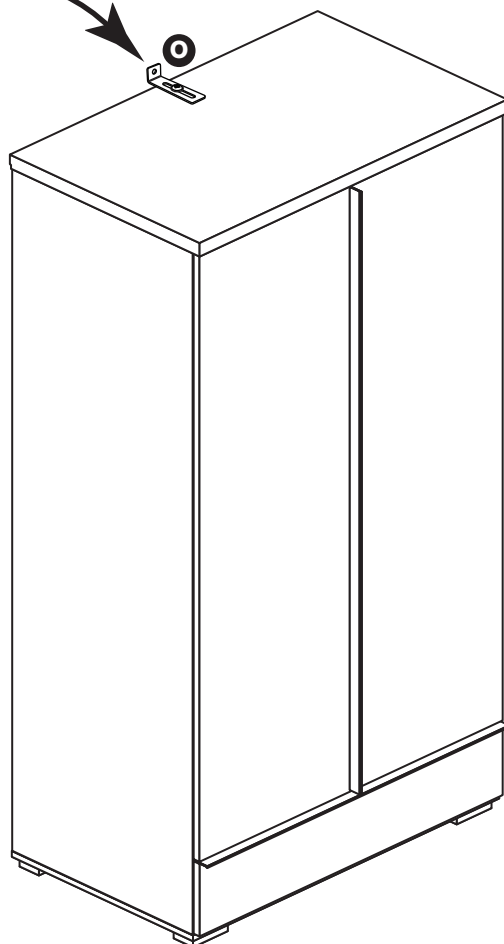
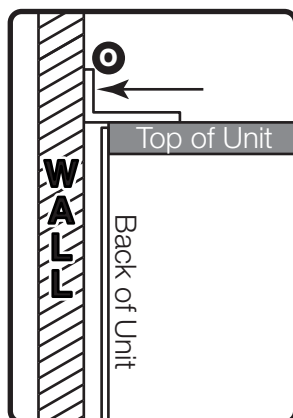
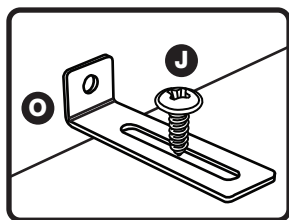
Swivel the bracket **ⓐ** back and fix the bracket to the wall, then tighten screw **Ⓝ**.

**Note:** Take care when drilling the wall that you do not drill into any pipes, wires etc. If in doubt, consult an expert.



**Warning:** The unit is heavy. Lift with care.

**Assembly is complete**



If you need help or have damaged or missing parts, call the **Customer Helpline: 08456 400800** and quote the reference numbers on the component pages.

Argos Ltd, 489-499 Avebury Boulevard, Central Milton Keynes, MK9 2NW



