

# Malibu - 3 Drawer 2 Door Robe

Assembly Instructions - Please keep for future reference

227/8232

238/3574

258/2904

237/1287

258/7679

279/1496

262/6217

258/8032

257/2512

279/1960

255/7788

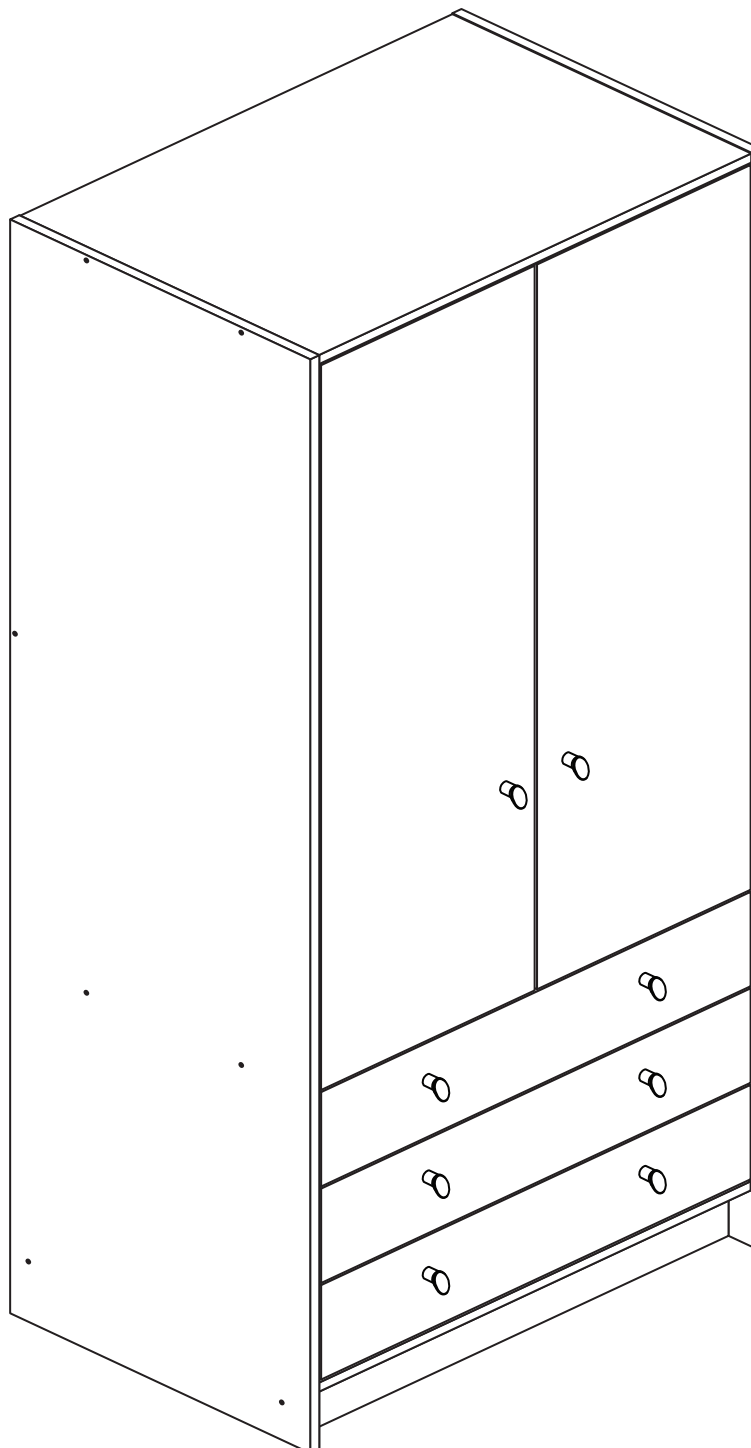
247/7662

266/7355

249/6612

278/5189

278/0830



## Dimensions

Width - 74.5cm

Depth - 50cm

Height - 181cm



**MADE IN  
BRITAIN**

**Important** - Please read these instructions fully before starting assembly

If you need help or have damaged or missing parts, call the **Customer Helpline: 08456 400800**



# Safety and Care Advice

**Important - Please read these instructions fully before starting assembly**

- **Warning:** This unit weighs approximately 49.5kgs. Please lift with care.

- Check you have all the components and tools listed on pages 2 and 3.

- Remove all fittings from the plastic bags and separate them into their groups.

- Keep children and animals away from the work area, small parts could choke if swallowed.

- Parts of the assembly will be easier with 2 people.

- Make sure you have enough space to layout the parts before starting.

- Do not stand or put weight on the product, this could cause damage.

- Assemble the item as close to its final position (in the same room) as possible.

- Assemble on a soft level surface to avoid damaging the unit or your floor (use opened out unit carton).



- We do not recommend the use of power drill/drivers **for inserting screws**, as this could damage the unit. Only use hand screwdrivers.

- **Safety note:** It is recommended that this unit is secured to a wall using the bracket supplied.

- Dispose of all packaging carefully and responsibly.

## Care and maintenance

- Only clean using a damp cloth and mild detergent, do not use bleach or abrasive cleaners.

- From time to time check that there are no loose screws on this unit.

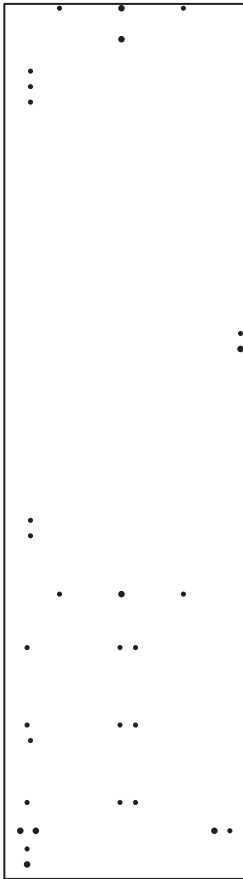
- This product should not be discarded with household waste. Take to your local authority waste disposal centre.

**Note:** If required the next page can be cut out and used as reference throughout the assembly. Keep this page with these instructions for future reference.

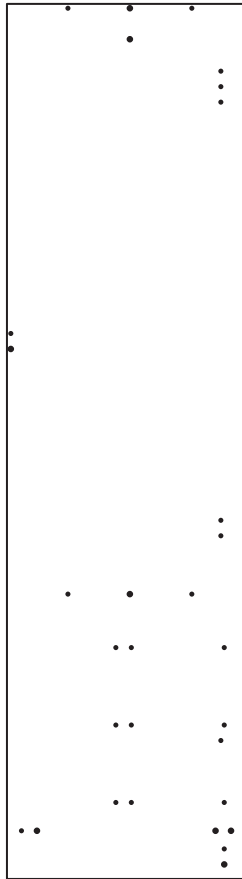
# Components - Panels

If you have damaged or missing components, call the  
**Customer Helpline: 08456 400800** quoting the reference  
 numbers below

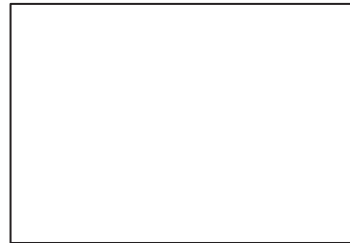
Please check you have all the panels listed below



**1** Left Side (D2871A)  
 (1808 x 496mm)



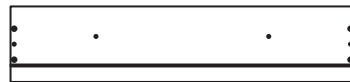
**2** Right Side (D2872A)  
 (1808 x 496mm)



**3** Top (D2870A)  
 (716 x 494mm)



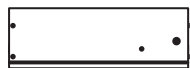
**4** Base (D2841A)  
 (716 x 476mm)



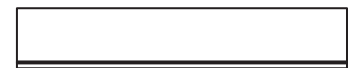
**5** Drawer Front (D2783A)  
 (710 x 156mm) x 3



**6** Left Drawer Side (W370-124LH)  
 (370 x 124mm) x 3



**7** Right Drawer Side (W370-124RH)  
 (370 x 124mm) x 3



**8** Drawer Back (W682-124BCK)  
 (682 x 124mm) x 3



**9** Drawer Base (T693-367)  
 (693 x 367mm) x 3



**10** Plinth (D2873A)  
 (716 x 92mm) x 2



**12** Back Rail (D2847A)  
 (716 x 92mm)



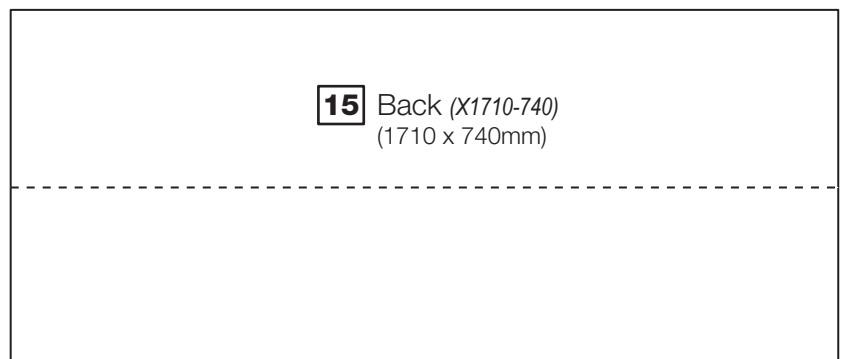
**11** Rail (D2874A)  
 (716 x 92mm)



**13** Hanging Rail (FHR704)  
 (704mm long)



**14** Door (D2857A)  
 (1198 x 353mm) x 2



**15** Back (X1710-740)  
 (1710 x 740mm)


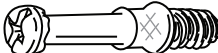
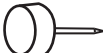
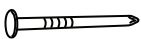







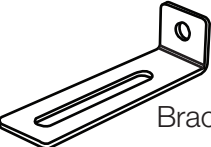

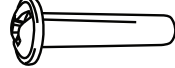


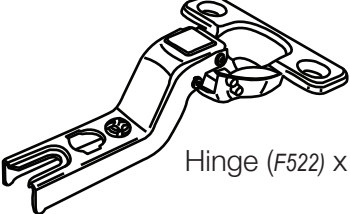






# Components - Fittings

If you have damaged or missing components, call the **Customer Helpline: 08456 400800** quoting the reference numbers below

Please check you have all the fittings listed below

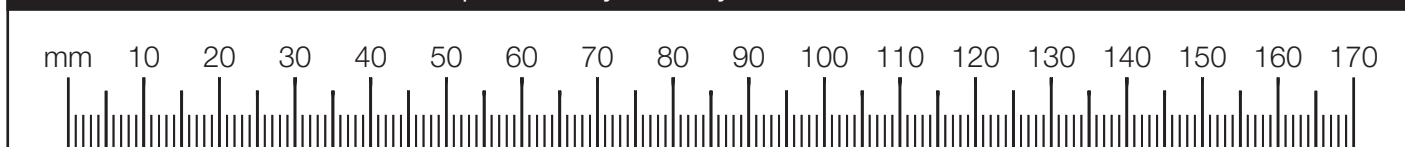
**Note:** The quantities below are the correct amount to complete the assembly. In some cases more fittings may be supplied than are required.

<p><b>A</b> </p> <p>Wooden dowel (F22) x 14</p>	<p><b>B</b> </p> <p>Metal dowel (F901) x 6</p>	<p><b>C</b> </p> <p>Plastic Nail (F91) x 5</p>
<p><b>D</b> </p> <p>Nail (F51) x 33</p>	<p><b>E</b> </p> <p>Small locking nut (F3) x 6</p>	<p><b>F</b> </p> <p>Rail holder (F1014) x 2</p>
<p><b>G</b> </p> <p>40mm Screw (F910) x 14</p>	<p><b>H</b> </p> <p>25mm Screw (F50) x 8</p>	<p><b>I</b> </p> <p>Handle (F631) x 8</p>
<p><b>J</b> </p> <p>13mm Screw (F79) x 1</p>	<p><b>K</b> </p> <p>13mm Screw (F63) x 10</p>	<p><b>L</b> </p> <p>Bracket (F327) x 1</p>
<p><b>M</b> </p> <p>19mm Connecting bolt (F461) x 2</p>	<p><b>N</b> </p> <p>25mm Connecting sleeve (F432) x 2</p>	<p><b>O</b> </p> <p>Hinge plate (F523) x 4</p>
<p><b>P</b> </p> <p>Drawer runner (F1004) x 6</p>		<p><b>Q</b> </p> <p>Hinge (F522) x 4</p>
<p><b>R</b> </p> <p>Knock-in Peg (F171GY) x 12</p>	<p><b>S</b> </p> <p>9mm Screw (F74) x 6</p>	<p><b>T</b> </p> <p>9mm Screw (F73) x 12</p>
<p><b>U</b> </p> <p>Wedgefix (F639) 12</p>		

## Tools required

Rule	Hammer	Cross-head screwdriver
Square	Bradawl	Eye protection (when using a hammer or drill)
Scissors	Electric drill	
Spirit level	Step ladder	

**Ruler** - Use this ruler to help correctly identify the screws



# Assembly Instructions

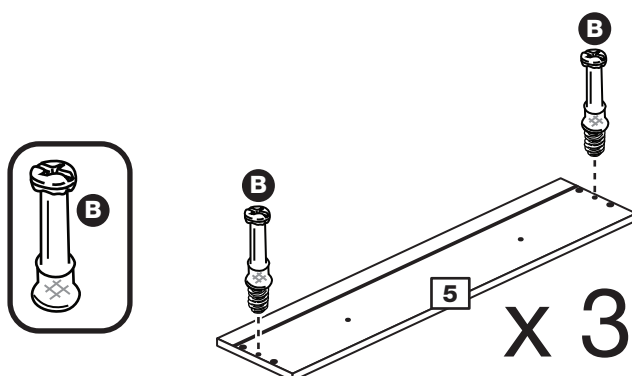
If you have damaged or missing components, call the  
**Customer Helpline: 08456 400800** quoting the reference  
numbers below

## Step 1

### Prepare the 3 drawer fronts

Screw 2 metal dowels **B** into each of the drawer fronts **5**.

**Note:** Tighten the metal dowels up fully against the panels.

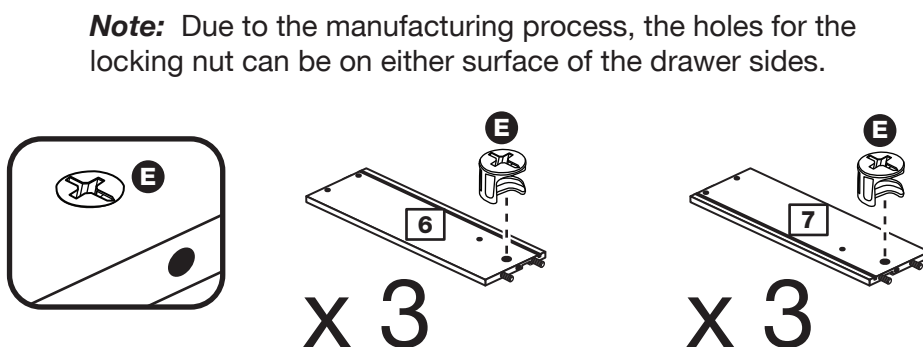


## Step 2

### Prepare the drawer sides

Insert a small locking nut **E** into the hole shown on the left drawer side **6** and the right drawer side **7**.

**Note:** The arrow on the locking nut **must** point towards the hole in the edge of the panel.



## Step 3

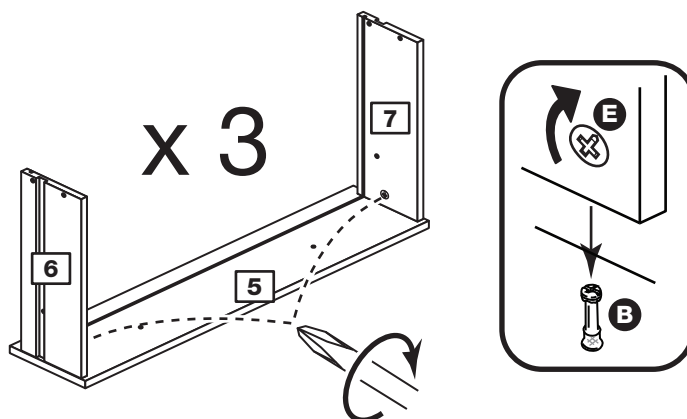
### Attach the drawer sides to the drawer fronts

Push the left drawer sides **6** and right drawer sides **7** onto the back of the drawer fronts **5**.

Turn the small locking nuts **E** on the left drawer side **6** and right drawer side **7**.

**Note:** Turn the locking nuts **E** clockwise to secure panels - more than 1/2 a turn.

**Note:** The locking nuts can be on either surface of the drawer sides. Make sure that the small groove is on the inside, as shown.

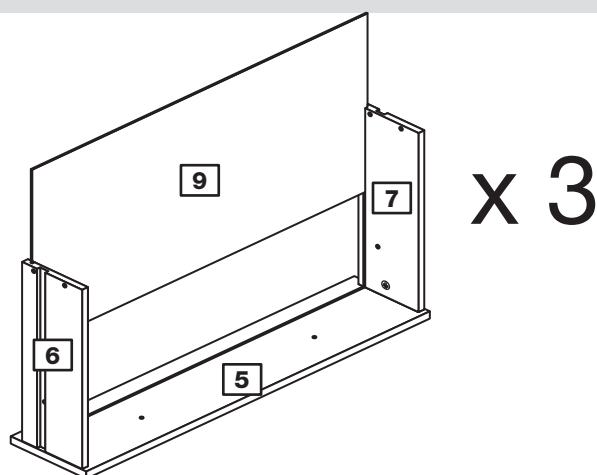


# Assembly Instructions

## Step 4

### Fit the drawer base

Slide the drawer base **9** down the grooves in the drawer sides **6** and **7** and down into the groove in the drawer front **5**.

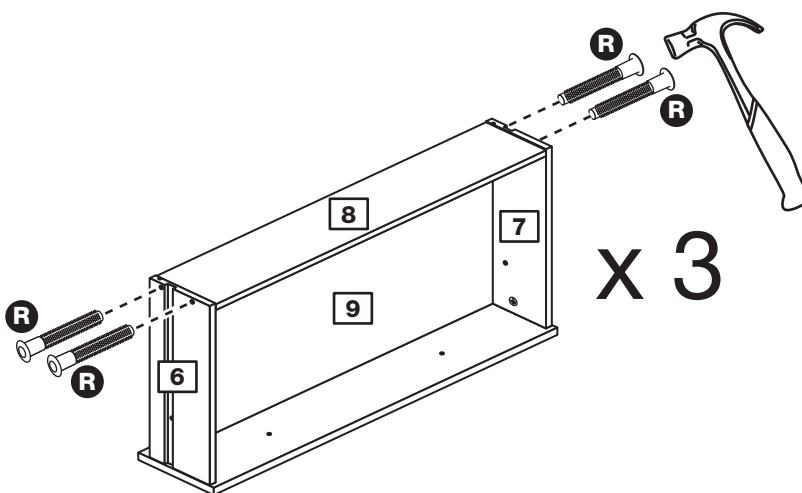


## Step 5

### Fit the drawer back

Fit the drawer back **8** between the drawer sides **6** and **7**. Make sure that the drawer base **9** fits into the groove in the drawer back **8**.

Hold the drawer back **8** in position and tap the knock-in pegs **R** through the holes in the drawer sides **6** and **7**.

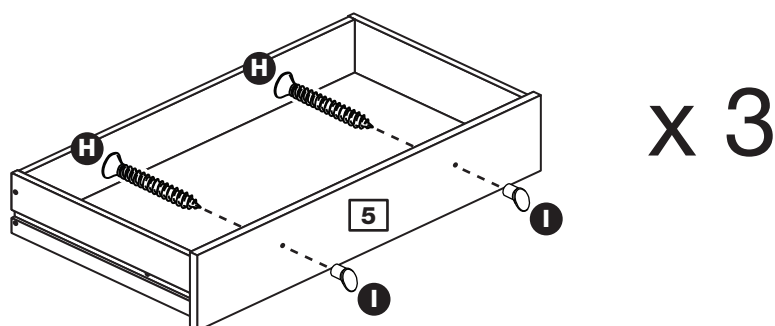


## Step 6

### Attach the handles

Attach a handle **I** to each of the drawer fronts **5** using screw **H**.

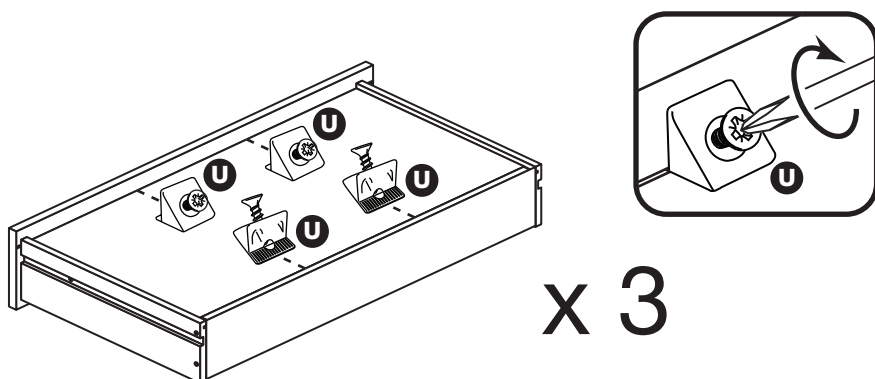
**Note: Do not overtighten the screw.**



## Step 7

### Fit the wedgexes

Turn the drawer assemblies over and slide 4 wedgexes **U** into the front and back grooves, as shown, and tighten up the screws.



# Assembly Instructions

## Step 8

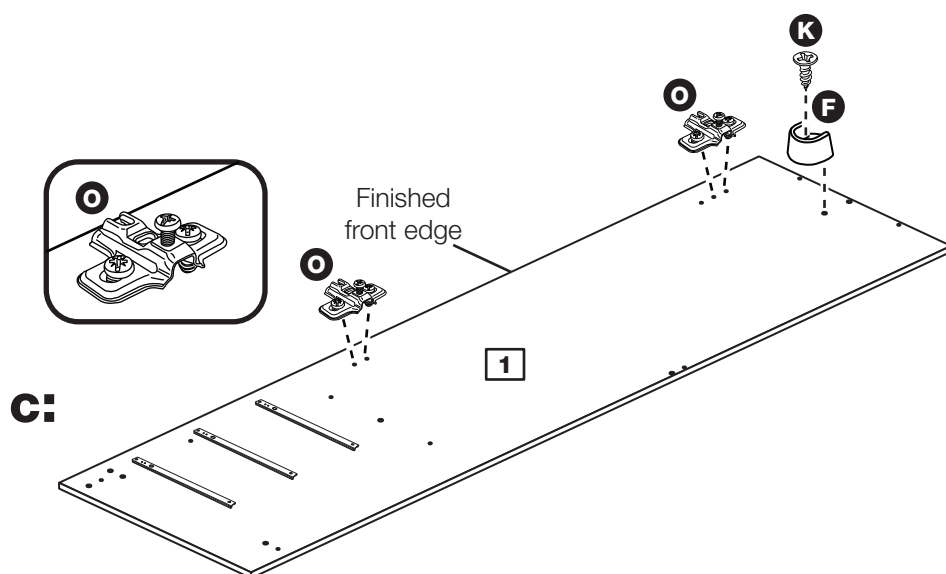
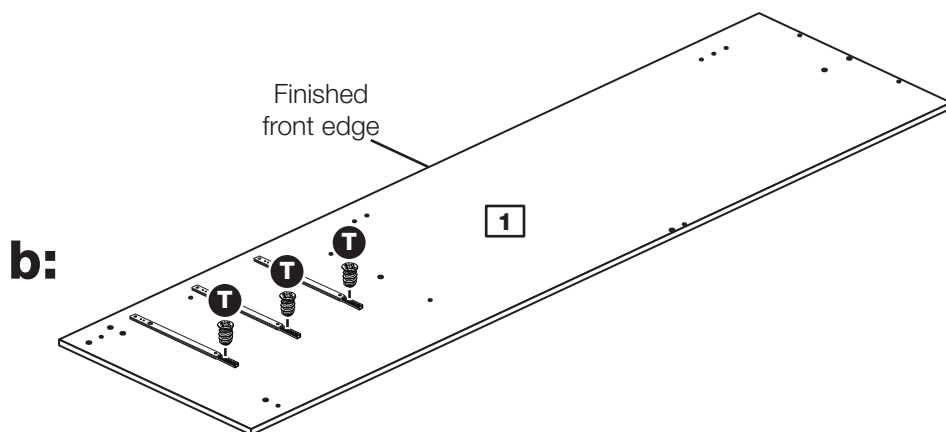
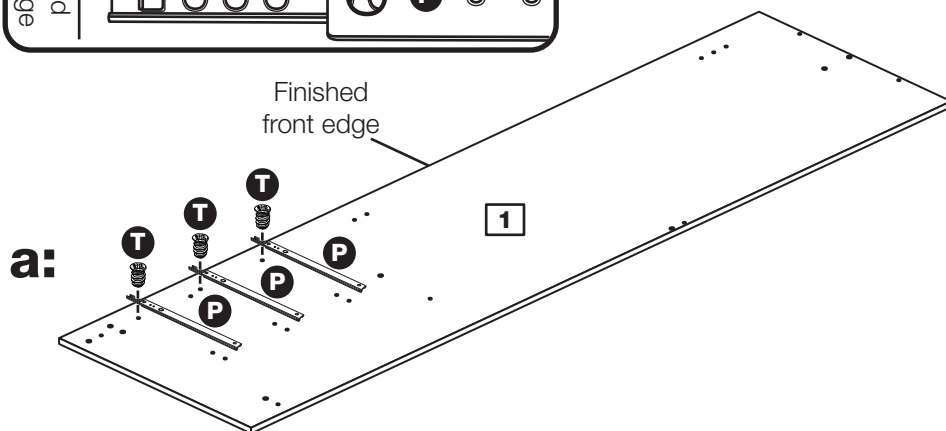
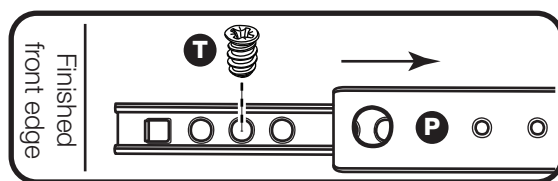
### Prepare the left side

**a:** Place 3 runners **P** on the left side **1** as shown. Slide back the top of runner and use the 2nd hole from the front to fit the 1st screw **T**.

**b:** Slide the runner **P** back the other way and fit the 2nd screw **T** into the corresponding hole in the left side **1**.

**c:** Fit 2 hinge plates **O** onto the left side **1** making sure that the slot is facing towards the finished front edge.

Push a rail holder **F** into the left side **1**. Make sure that it is fitted straight, in line with the panel edges and then secure with screw **K**.



# Assembly Instructions

## Step 9

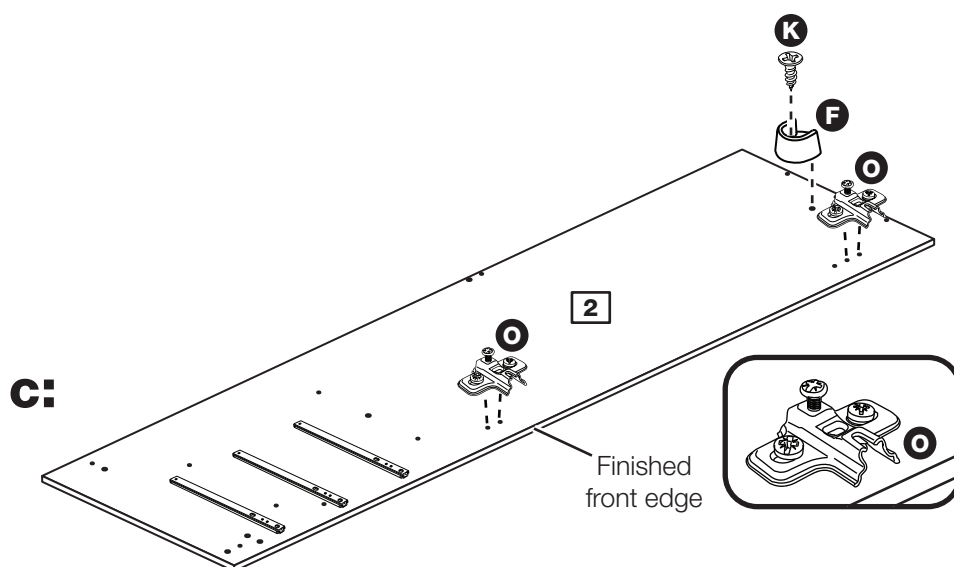
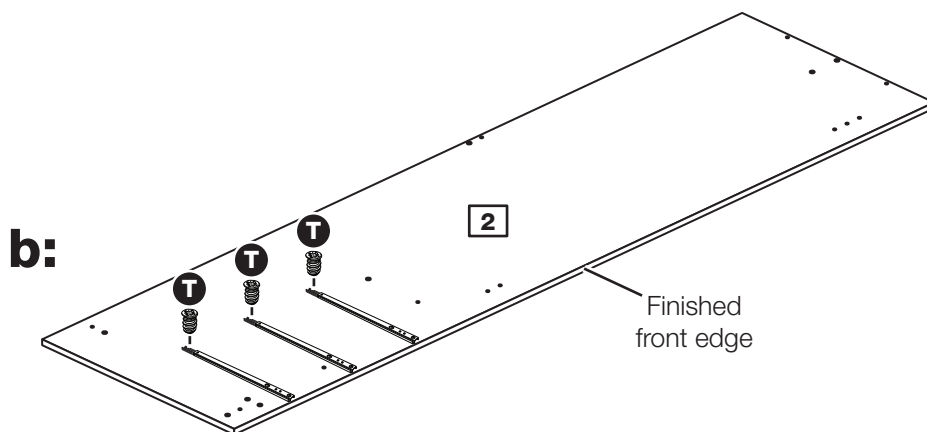
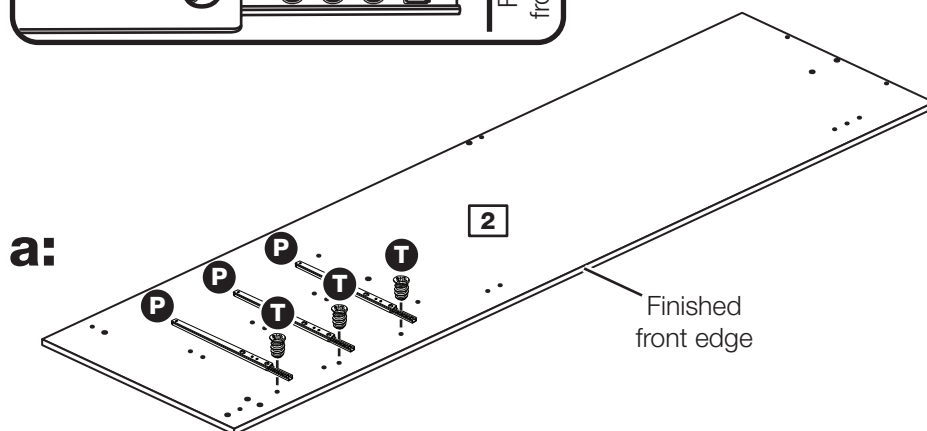
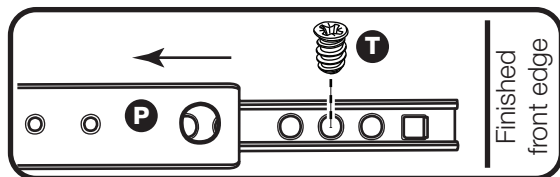
### Prepare the right side

**a:** Place 3 runners **P** on the right side **2** as shown. Slide back the top of runner and use the 2nd hole from the front to fit the 1st screw **T**.

**b:** Slide the runner **P** back the other way and fit the 2nd screw **T** into the corresponding hole in the right side **2**.

**c:** Fit 2 hinge plates **O** onto the right side **2** making sure that the slot is facing towards the finished front edge.

Push a rail holder **F** into the right side **2**. Make sure that it is fitted straight, in line with the panel edges and then secure with screw **K**.





# Assembly Instructions

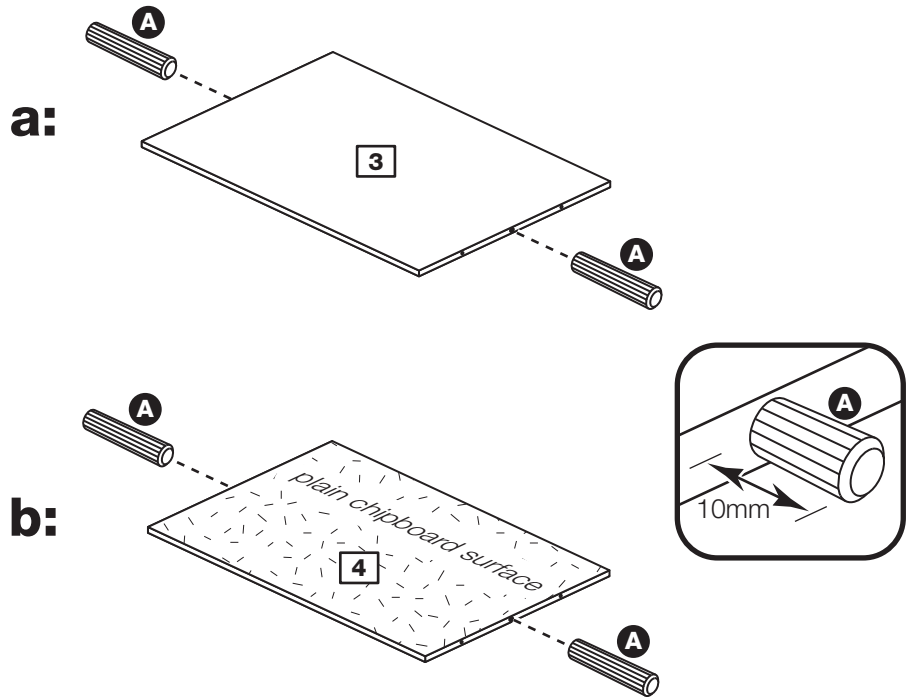
## Step 10

### Prepare top and base

**a:** Tap 2 wooden dowels **A** into the ends of the top **3**.

**b:** Tap 2 wooden dowels **A** into the ends of the base **4**.

**Note:** Wooden dowels **must not** stick out from the edge by more than 10mm or they may damage other panels.

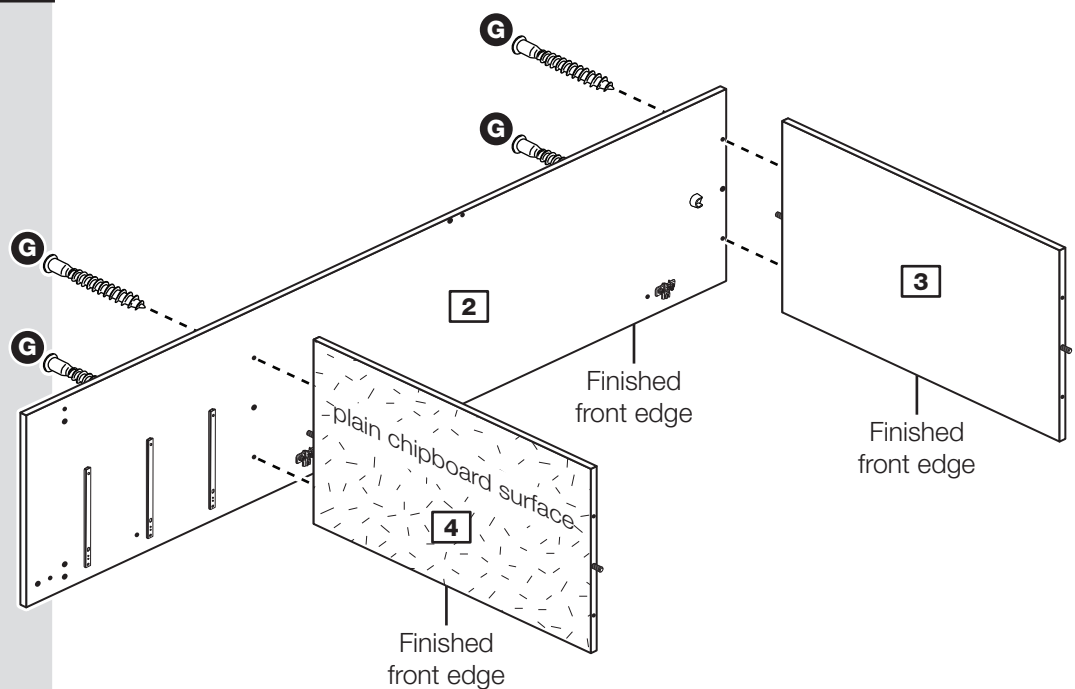


## Step 11

### Fit the top and base to the right side

Push the top **3** onto the right side **2** and secure with 2 screws **G**.

Push the base **4** onto the right side **2** and secure with 2 screws **G**.



# Assembly Instructions

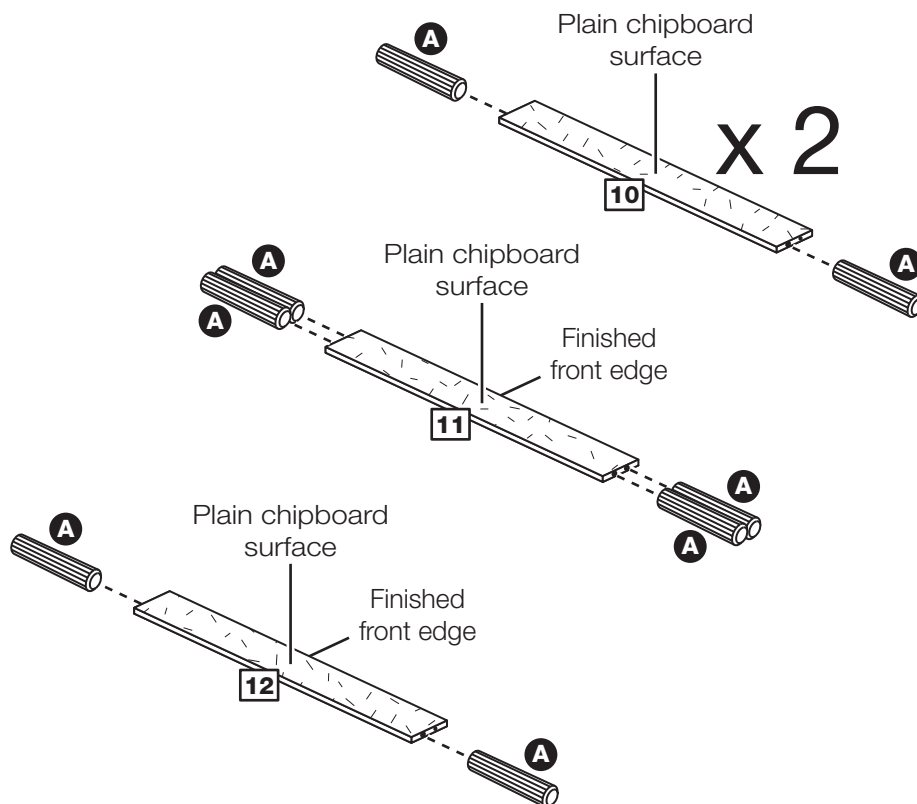
## Step 12

### Prepare the 2 plinths, the rail and the back rail

**a:** Tap 2 wooden dowels **A** into the ends of the 2 plinths **10**.

**b:** Tap 4 wooden dowels **A** into the ends of the rail **11**.

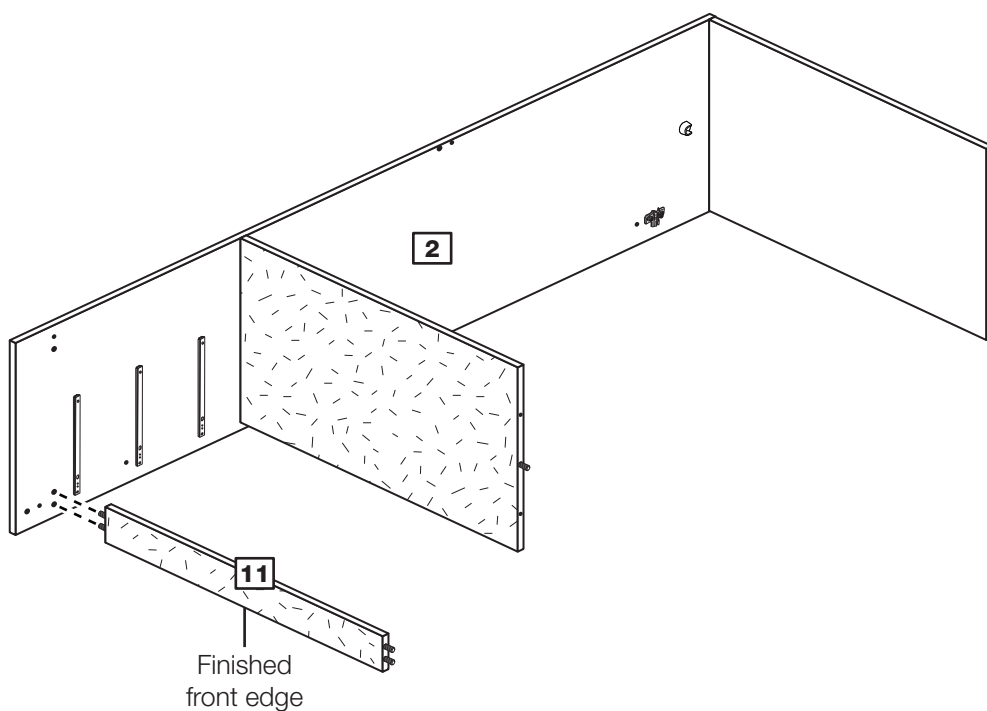
**c:** Tap 2 wooden dowels **A** into the ends of the back rail **12**.



## Step 13

### Fit the rail

Push the rail **11** onto the right side **2**.



# Assembly Instructions

## Step 14

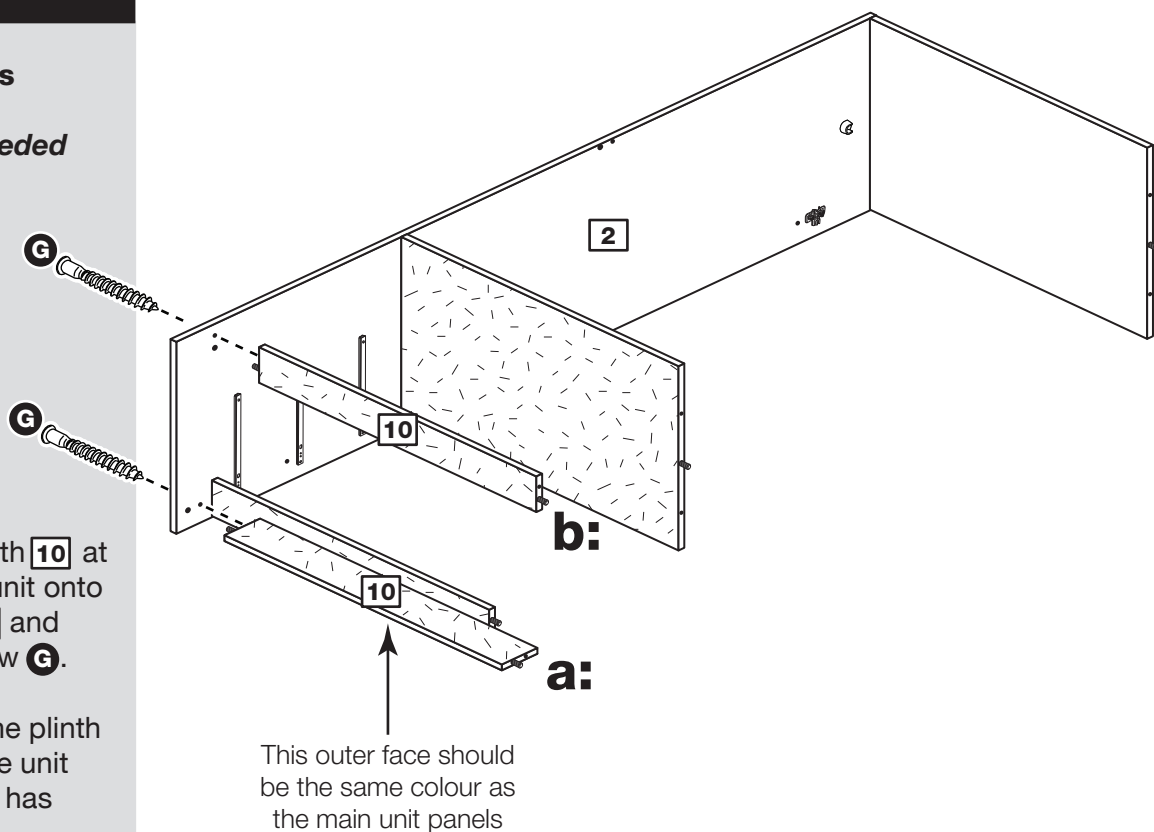
### Fit the 2 plinths

*2 people are needed here*

**a:** Push the plinth **10** at the front of the unit onto the right side **2** and secure with screw **G**.

**b:** Push the plinth **10** at the back of the unit onto the right side **2** and secure with screw **G**.

**Note:** Support the plinth at the back of the unit until the left side has been fitted.

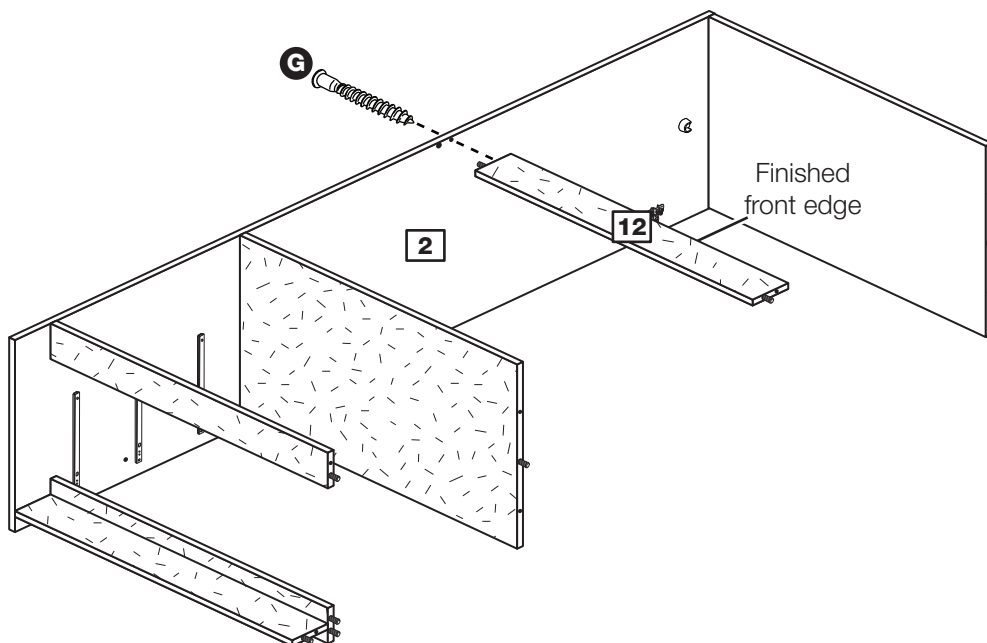


## Step 15

### Fit the back rail

Push the back rail **12** onto the right side **2** and secure with screw **G**.

**Note:** Support the back rail until the left side has been fitted.

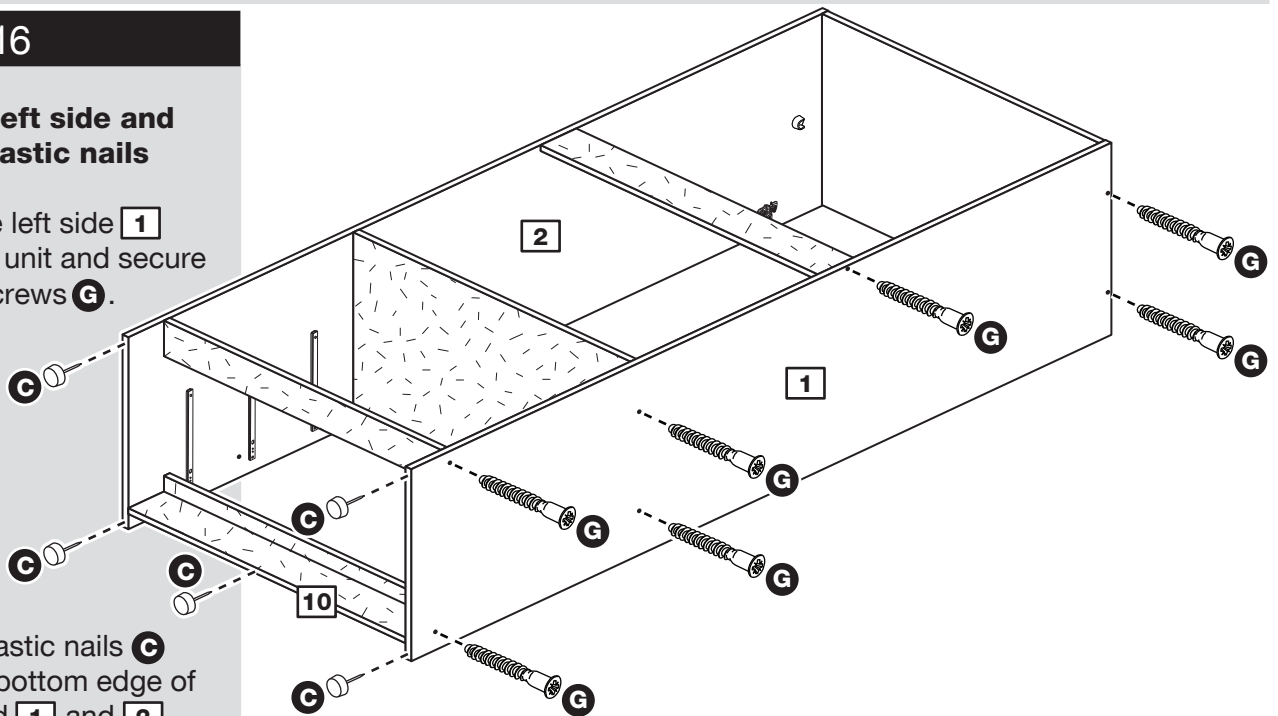


# Assembly Instructions

## Step 16

### Fit the left side and the 4 plastic nails

Push the left side **1** onto the unit and secure with 7 screws **G**.



Tap 2 plastic nails **C** into the bottom edge of each end **1** and **2** and 1 into the plinth **10** as shown.

## Step 17

### Fit the back

**a:** Square up the unit by making sure that measurement **x to x** equals **y to y**.

**b:** Place the back **15** onto the unit.

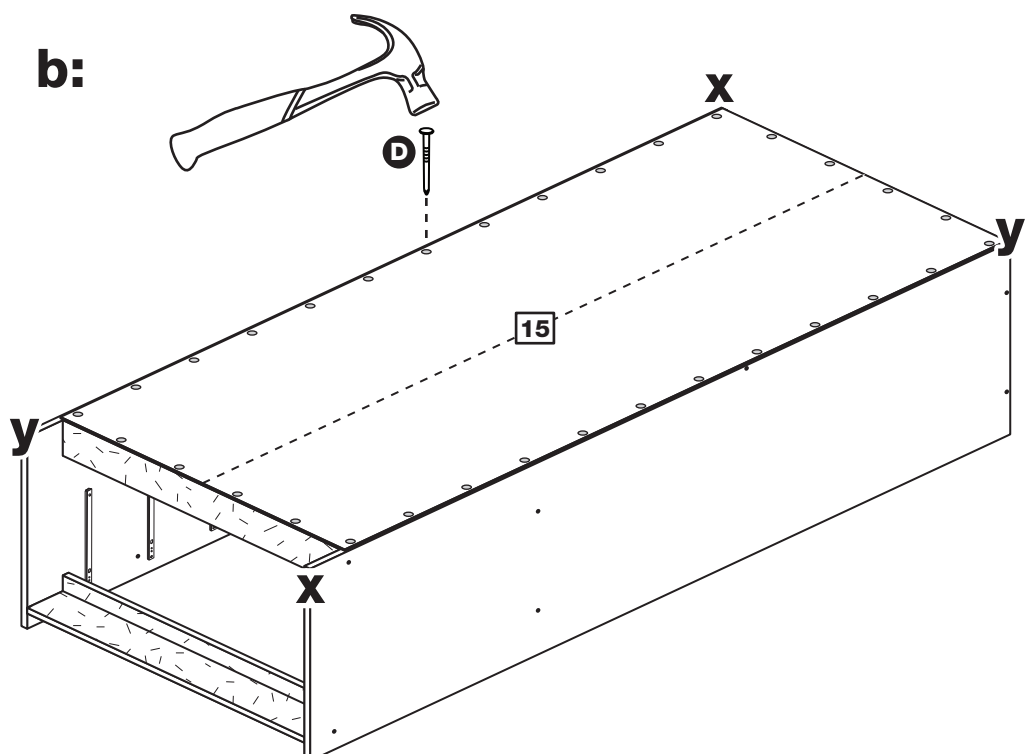
Nail **D** around the outside edges of the back **15**.

**Note:** Nails should be spaced about 150mm apart.

**Stand the unit up for the next step.**

**a:** The measurement from top corner X to bottom corner X must be equal to the measurement from top corner Y to bottom corner Y

**b:**



**Warning:** The robe is heavy. Lift with care.

# Assembly Instructions

## Step 18

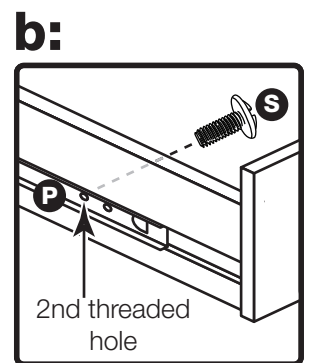
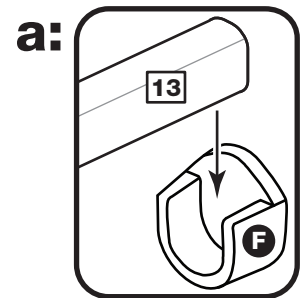
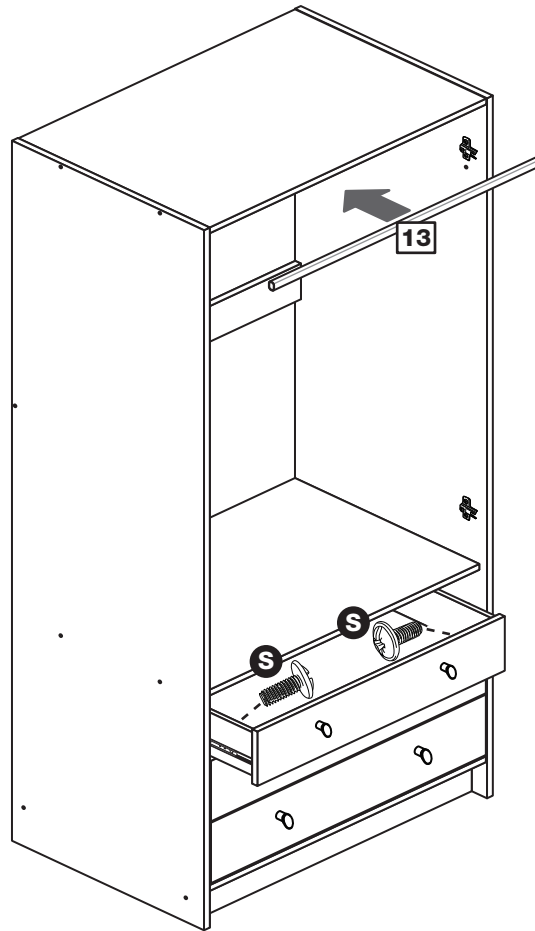
### Fit the hanging rails and drawers

**a:** Push the hanging rail **13** into the rail holders **F**.

**b:** Starting with the bottom drawer, slide both the runners **P** forward and locate the drawer sides **6** and **7** between them, lining up the holes in the drawer wrap with the 2nd 'threaded' holes in the runners **P**.

Working from the inside of the drawer, insert 2 screws **S** through the drawer sides and out into the 2nd threaded hole in the runner.

**Note:** Do not overtighten the screws. If they catch on the runner you may need to loosen them slightly.



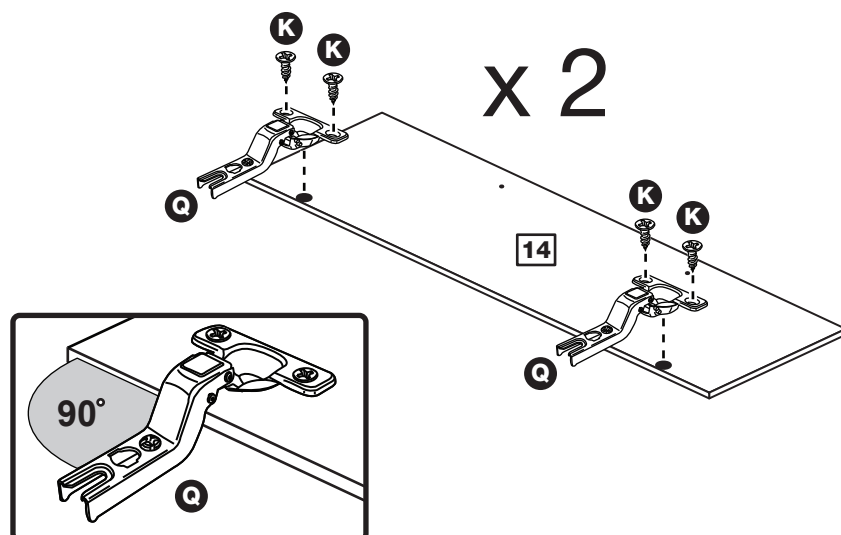
## Step 19

### Prepare the 2 doors

Push fit 2 hinges **Q** into each door **14**.

Secure each hinge with 2 screws **K**.

**Note:** Before securing with the screws, make sure that the hinges are positioned at 90 degrees with the edge of the door.



# Assembly Instructions

## Step 20

### Drill a handle hole in each door

**Important:** Please follow these instructions carefully.

Lay the 2 doors **14** down onto a smooth surface.

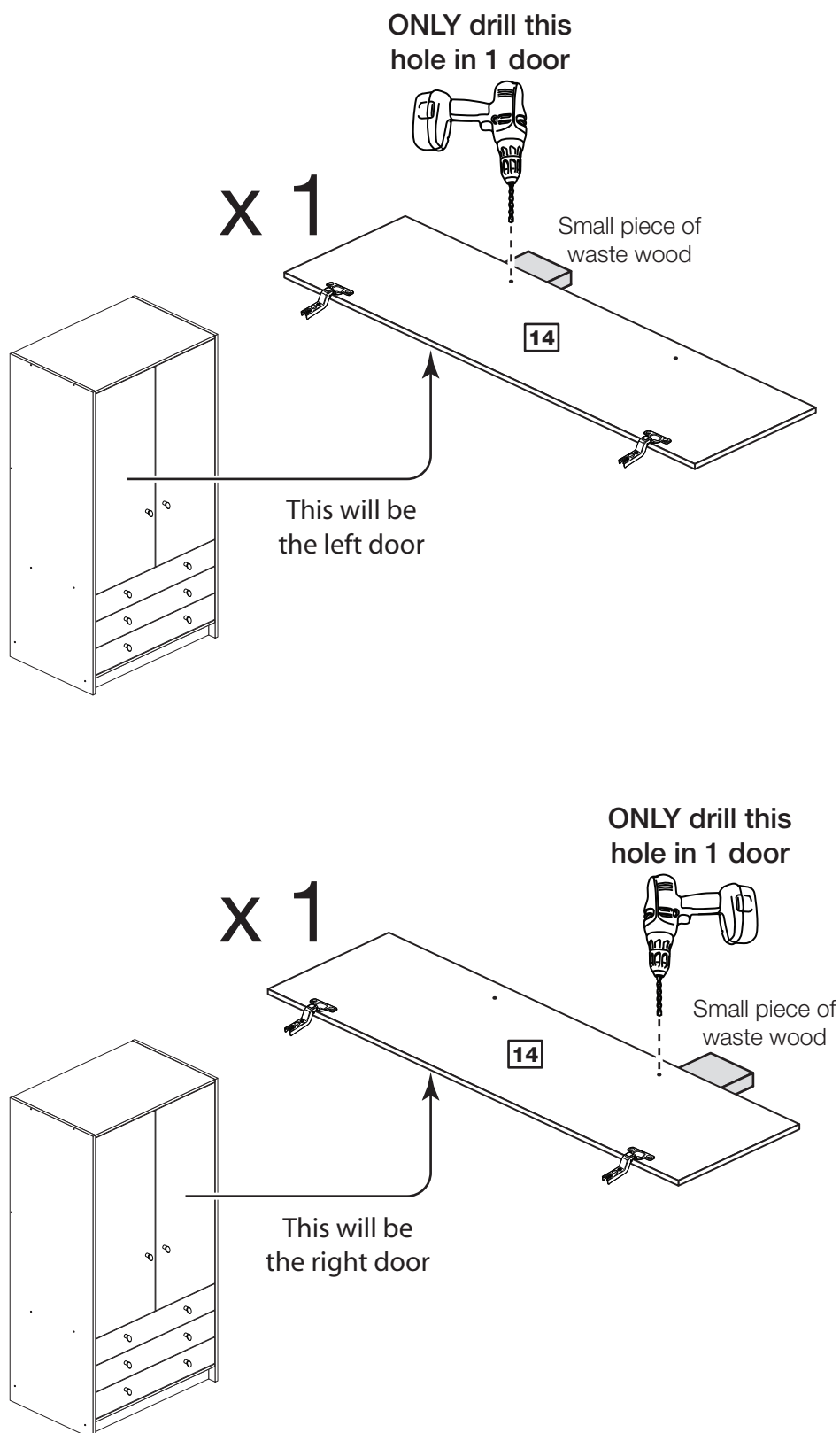
Check that the hinges and holes are in the same place as the diagrams.

**Note:** We recommend the use of a small piece of waste wood, placed behind the hole while drilling, to reduce the possibility of any breakout.

Using the pilot hole in the rear face of the door, drill through the hole indicated opposite, using a 2.5mm diameter drill.

Turn the door over and open out the 2.5mm hole that you have just drilled by drilling back through it with a 5mm drill.

**IMPORTANT**  
Carefully choose which hole you need to drill in each door



# Assembly Instructions

## Step 21

### Fit doors and handles

**Note:** The easiest way to attach each door **14** is to fit the top hinge first, then align and fit the other hinges.

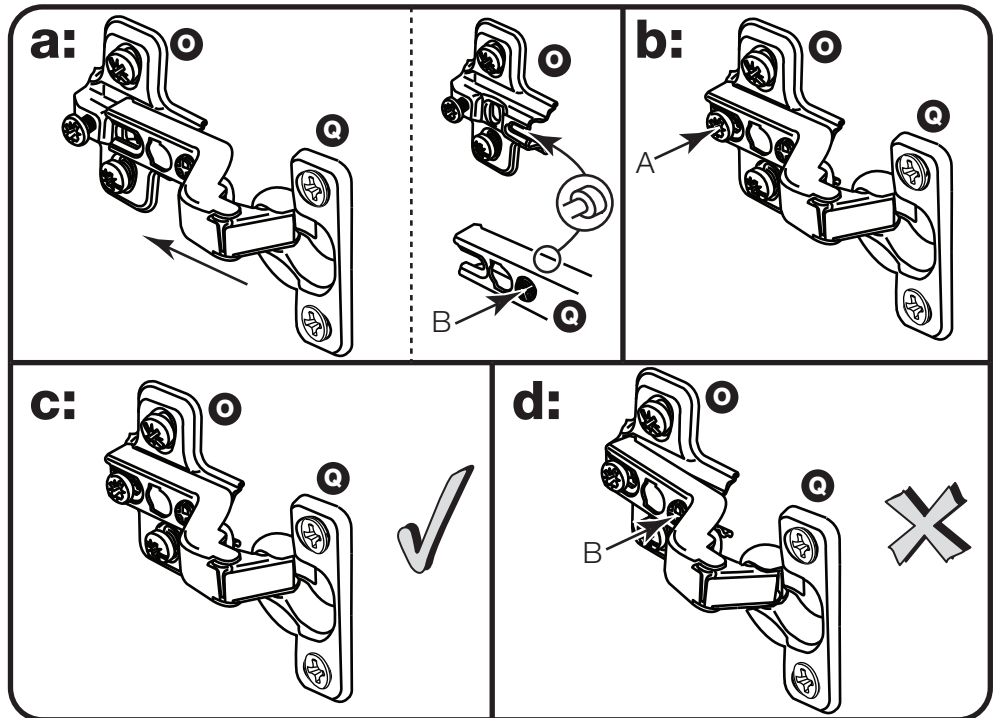
**a:** Push the hinge **ⓐ** onto the front part of the hinge plate **ⓐ**. The recess at the bottom of screw B goes into the slot in the hinge plate.

**b:** Keep the hinge **ⓐ** FLAT against the hinge plate **ⓐ** as you slide it across as far as it will go. Tighten screw A.

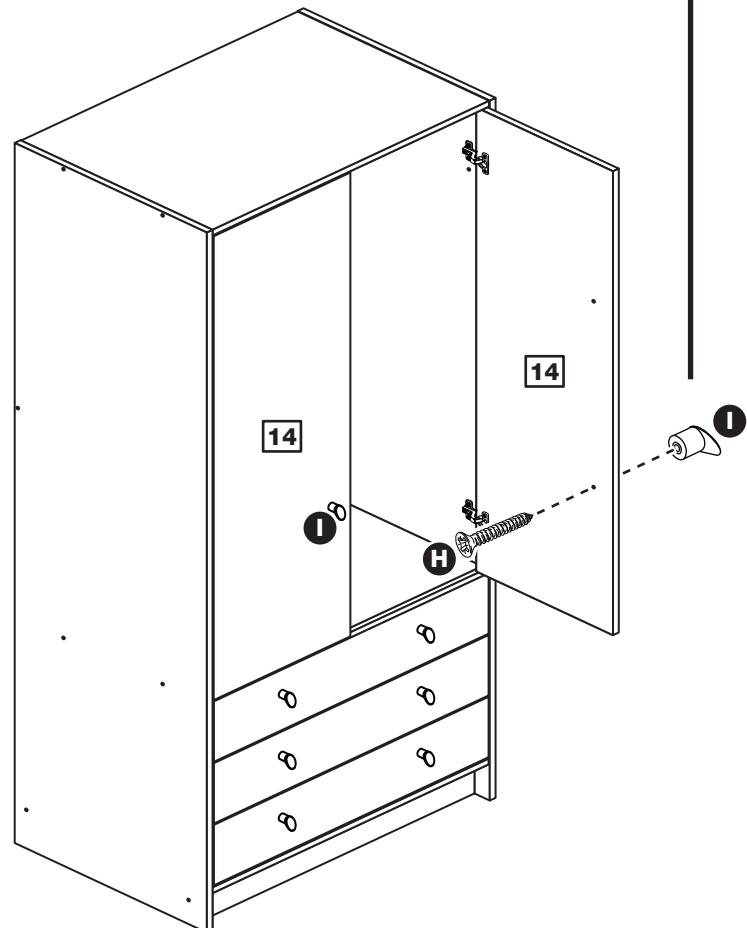
**c:** The hinge **ⓐ** must be flat against the hinge plate **ⓐ** prior to any adjustment.

**d:** The hinge **ⓐ** must NOT be AT AN ANGLE to the hinge plate **ⓐ** when assembled. This would indicate that the recess at the bottom of screw B had not located in the slot in the hinge plate and the hinge would not be secure. Remove the hinge from the hinge plate and then re-assemble being careful to follow instructions a-c.

**e:** Attach a handle **Ⓛ** to each door **14** using screws **Ⓜ**.



**Note:** When fitting the doors, make sure that the handle hole you had to drill is nearest to the bottom of each door.



# Assembly Instructions

## Step 22

### Adjust the doors if needed

**a:** Before adjusting the doors, use a spirit level to check the base (or top) of the unit is level, front-to-back and side-to-side in the 3 positions shown. Use suitable packing pieces (not supplied) to make the unit level BEFORE making any adjustment to the hinges, as shown.

### **b:** Height adjustment.

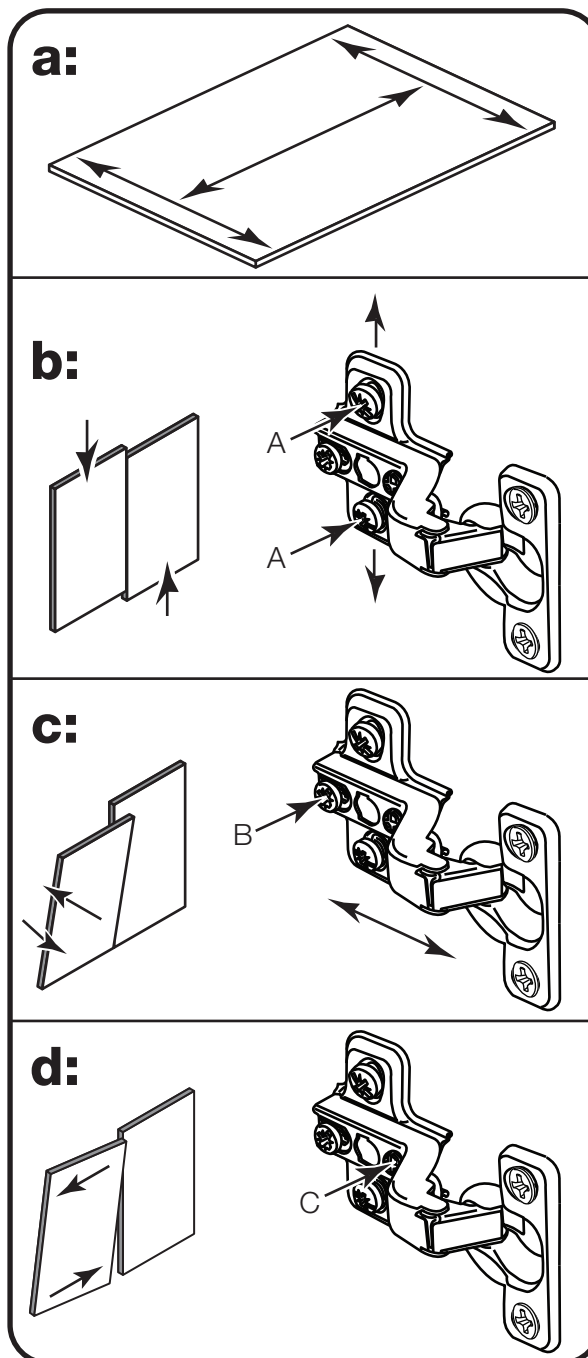
Loosen screws A on hinge plates and move door up or down as required. Retighten screw A.

### **c:** Forward and Back adjustment.

Loosen screw B on hinge plate and move door in or out as required. Retighten screw B.

### **d:** Sideways adjustment.

To move door 'out' loosen screw C. To move door 'in' tighten screw C.





# Assembly Instructions

## Step 23

### Joining units together

Fittings have been supplied so you are able to join units together.

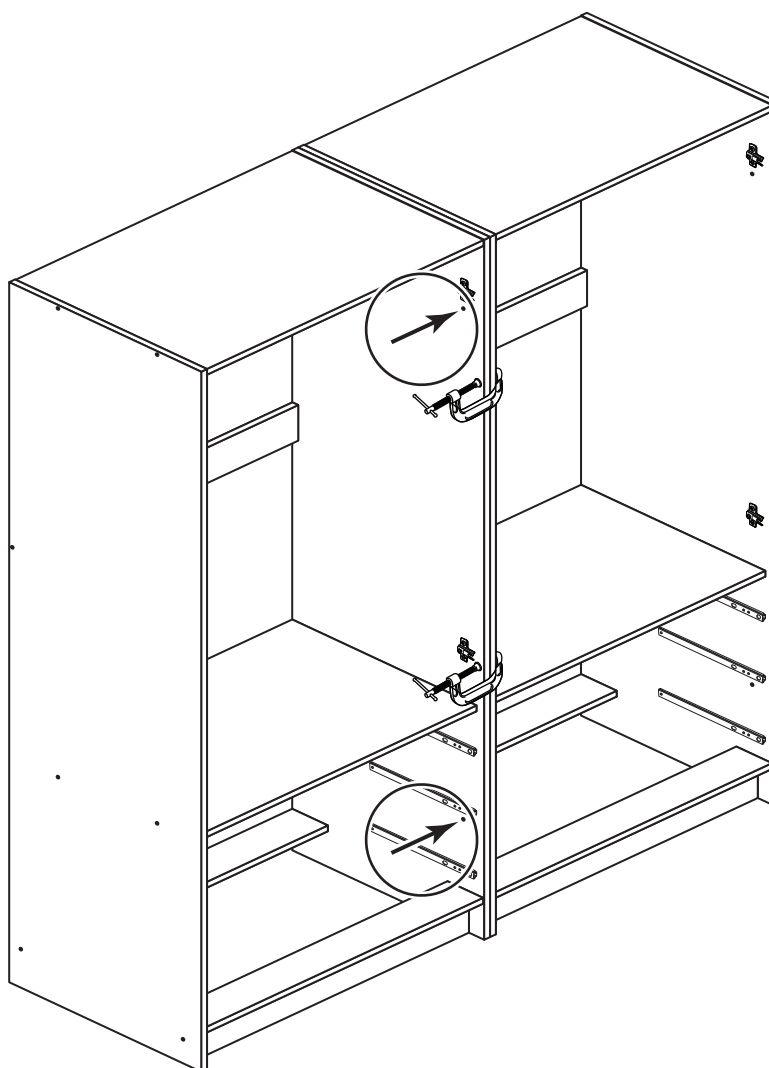
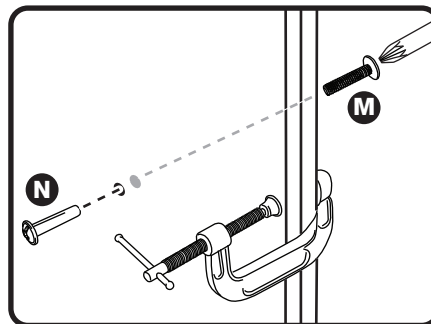
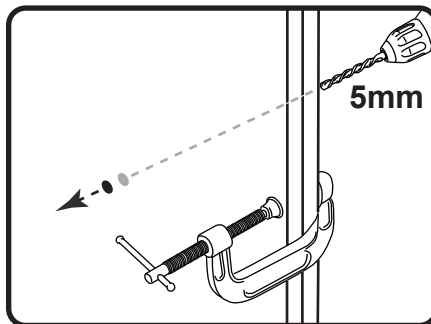
Make sure that your first unit is level.

Push the other unit up against the first unit and ensure both units are level.

Check that the ends are flush and in line, then clamp them together.

Using a 5mm drill bit, drill through the 2 holes (shown circled) in the side panel into the adjoining side panel of the other unit.

Push the connecting sleeves **N** into the holes and then screw the connecting bolts **M** in from the other side.



# Assembly Instructions

## Step 24

### Attach bracket to top

To prevent possible overbalancing, we recommend that this unit is secured to a suitable wall by use of the bracket **L** fitted to the top of the unit.

Fixings are not supplied, as they will need to suit the wall type and the length of screw will depend on the distance from the back of the unit to the wall.

Fix the bracket **L** loosely onto the top of the unit using screw **J** and mark the wall for the wall fixing.

Swivel the bracket **L** away from the wall and drill a hole in the wall using a suitable drill bit and fit your wall fixing.

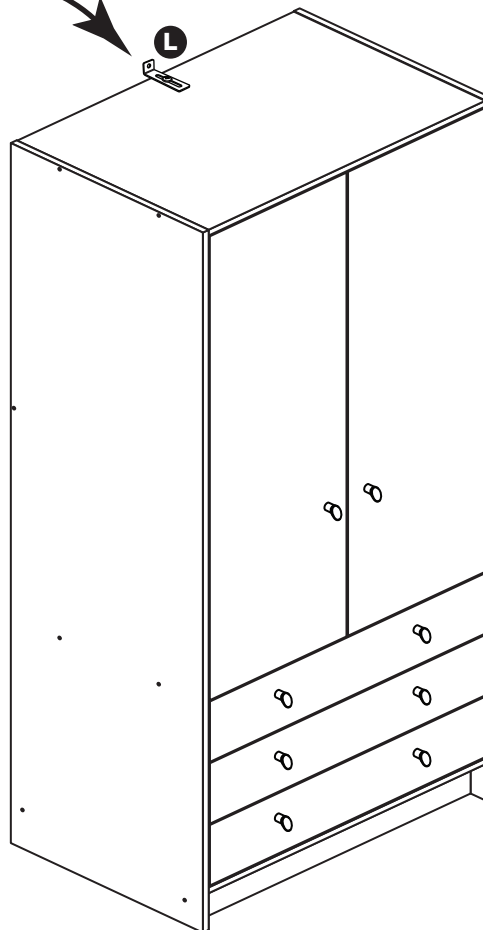
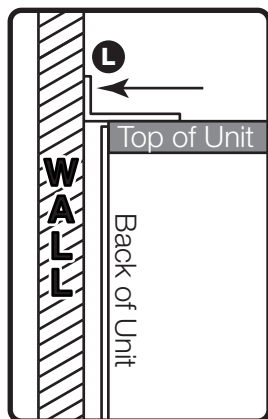
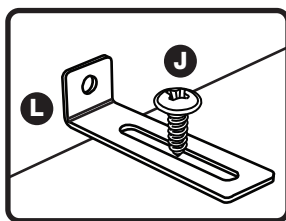
Swivel the bracket **L** back and fix the bracket to the wall, then tighten screw **J**.

**Note:** Take care when drilling the wall that you do not drill into any pipes, wires etc. If in doubt, consult an expert.

### Assembly is complete



**Warning:** The unit is heavy. Lift with care.



If you need help or have damaged or missing parts, call the Customer Helpline: 08456 400800 and quote the reference numbers on the component pages.

Argos Ltd, 489-499 Avebury Boulevard, Central Milton Keynes, MK9 2NW





# Malibu - 3 Drawer 2 Door Robe

Assembly Instructions - Please keep for future reference

227/8232

238/3574

258/2904

237/1287

258/7679

279/1496

262/6217

258/8032

257/2512

279/1960

255/7788

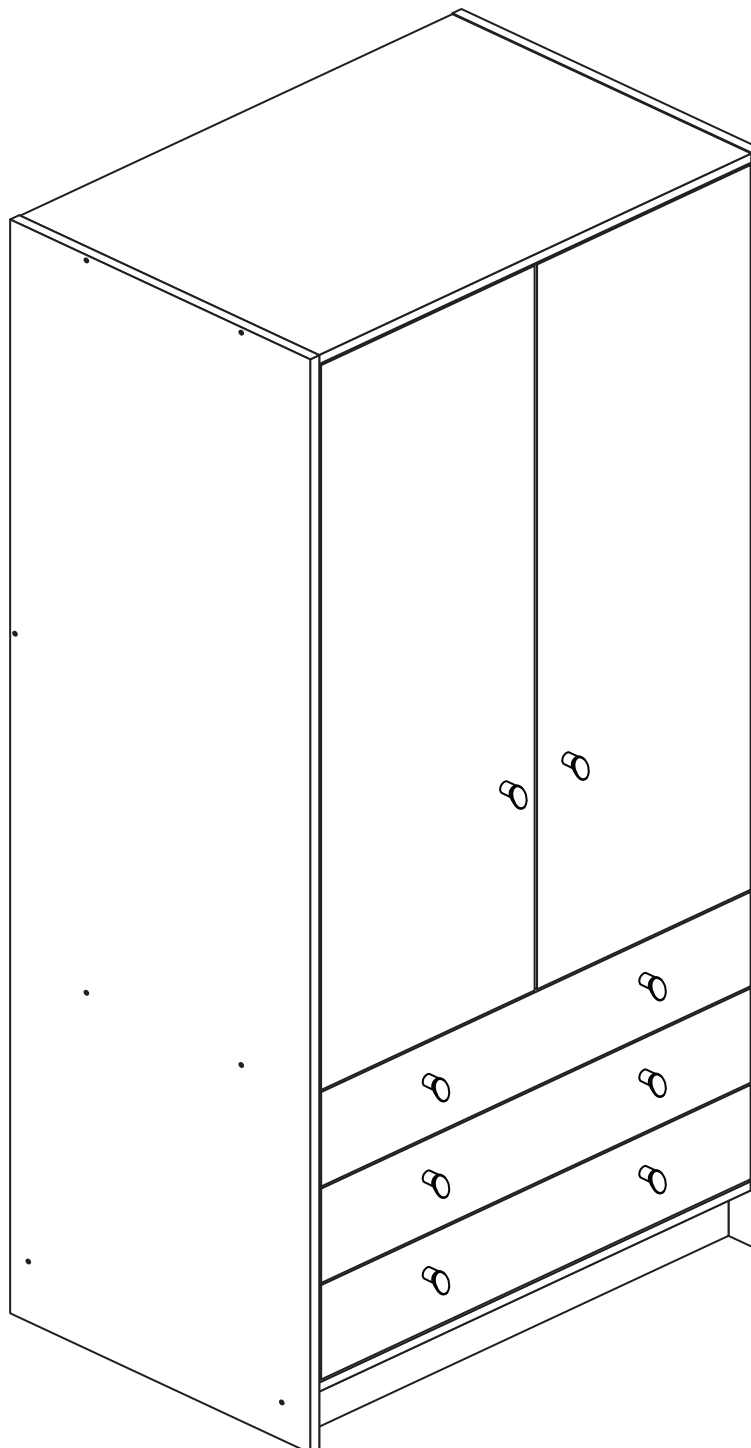
247/7662

266/7355

249/6612

278/5189

278/0830



## Dimensions

Width - 74.5cm

Depth - 50cm

Height - 181cm



**MADE IN  
BRITAIN**

**Important** - Please read these instructions fully before starting assembly

If you need help or have damaged or missing parts, call the **Customer Helpline: 03456 400800**



# Safety and Care Advice

**Important - Please read these instructions fully before starting assembly**

- **Warning:** This unit weighs approximately 49.5kgs. Please lift with care.

- Check you have all the components and tools listed on pages 2 and 3.

- Remove all fittings from the plastic bags and separate them into their groups.

- Keep children and animals away from the work area, small parts could choke if swallowed.

- Parts of the assembly will be easier with 2 people.

- Make sure you have enough space to layout the parts before starting.

- Do not stand or put weight on the product, this could cause damage.

- Assemble the item as close to its final position (in the same room) as possible.

- Assemble on a soft level surface to avoid damaging the unit or your floor (use opened out unit carton).



- We do not recommend the use of power drill/drivers **for inserting screws**, as this could damage the unit. Only use hand screwdrivers.

- **Safety note:** It is recommended that this unit is secured to a wall using the strap supplied.

- Dispose of all packaging carefully and responsibly.

## Care and maintenance

- Only clean using a damp cloth and mild detergent, do not use bleach or abrasive cleaners.

- From time to time check that there are no loose screws on this unit.

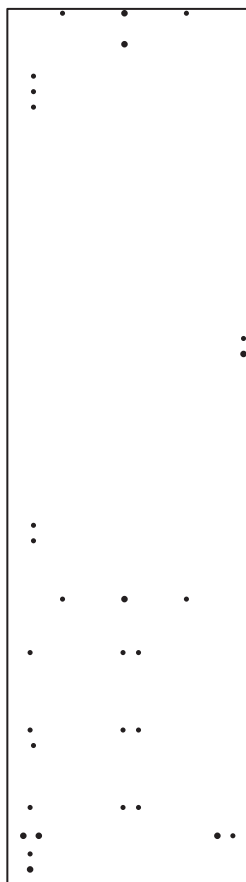
- This product should not be discarded with household waste. Take to your local authority waste disposal centre.

**Note:** If required the next page can be cut out and used as reference throughout the assembly. Keep this page with these instructions for future reference.

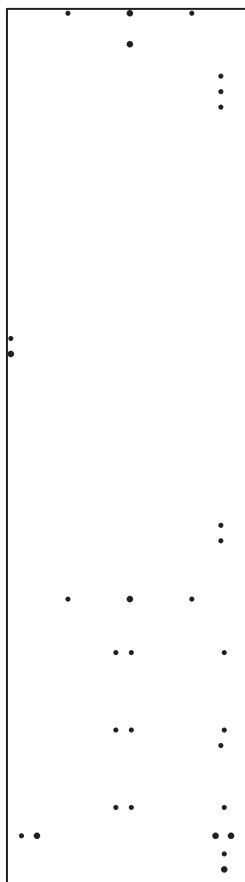
# Components - Panels

If you have damaged or missing components, call the  
**Customer Helpline: 03456 400800** quoting the reference  
 numbers below

Please check you have all the panels listed below



**1** Left Side (D2871A)  
(1808 x 496mm)



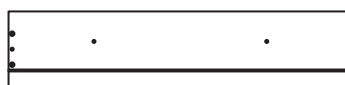
**2** Right Side (D2872A)  
(1808 x 496mm)



**3** Top (D2870A)  
(716 x 494mm)



**4** Base (D2841A)  
(716 x 476mm)



**5** Drawer Front (D2783A)  
(710 x 156mm) x 3



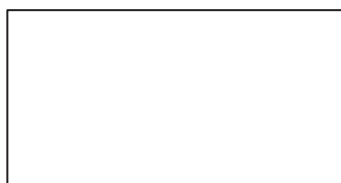
**6** Left Drawer Side (W370-124LH)  
(370 x 124mm) x 3



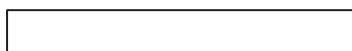
**7** Right Drawer Side (W370-124RH)  
(370 x 124mm) x 3



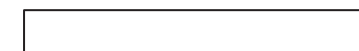
**8** Drawer Back (W682-124BCK)  
(682 x 124mm) x 3



**9** Drawer Base (T693-367)  
(693 x 367mm) x 3



**10** Plinth (D2873A)  
(716 x 92mm) x 2



**12** Back Rail (D2847A)  
(716 x 92mm)



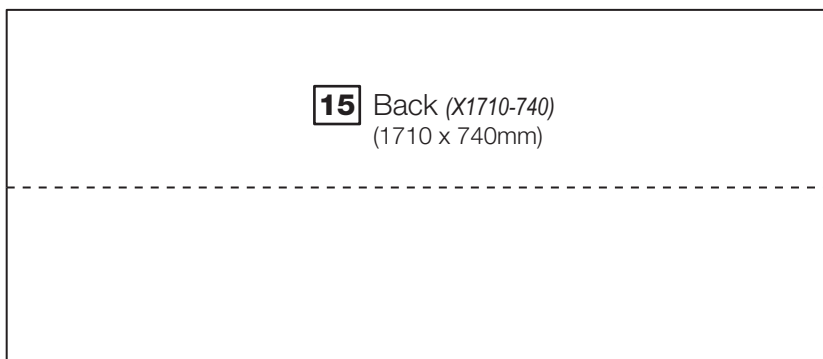
**11** Rail (D2874A)  
(716 x 92mm)



**13** Hanging Rail (FHR704)  
(704mm long)



**14** Door (D2857A)  
(1198 x 353mm) x 2



**15** Back (X1710-740)  
(1710 x 740mm)


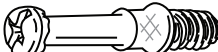
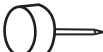
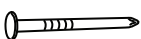









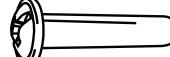


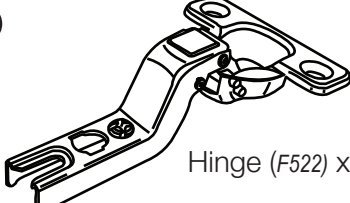


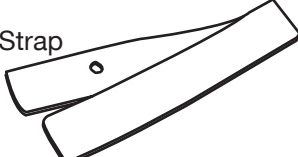




# Components - Fittings

If you have damaged or missing components, call the **Customer Helpline: 03456 400800** quoting the reference numbers below

Please check you have all the fittings listed below

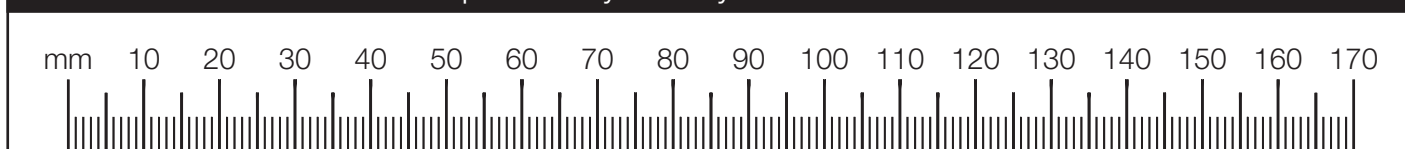
**Note:** The quantities below are the correct amount to complete the assembly. In some cases more fittings may be supplied than are required.

<p><b>A</b> </p> <p>Wooden dowel (F22) x 14</p>	<p><b>B</b> </p> <p>Metal dowel (F901) x 6</p>	<p><b>C</b> </p> <p>Plastic Nail (F91) x 5</p>
<p><b>D</b> </p> <p>Nail (F51) x 33</p>	<p><b>E</b> </p> <p>Small locking nut (F3) x 6</p>	<p><b>F</b> </p> <p>Rail holder (F1014) x 2</p>
<p><b>G</b> </p> <p>40mm Screw (F910) x 14</p>	<p><b>H</b> </p> <p>25mm Screw (F50) x 8</p>	<p><b>I</b> </p> <p>Handle (F631) x 8</p>
<p><b>J</b> </p> <p>Wedgefix (F639) 12</p>	<p><b>K</b> </p> <p>13mm Screw (F63) x 10</p>	<p><b>L</b> </p> <p>9mm Screw (F73) x 12</p>
<p><b>M</b> </p> <p>19mm Connecting bolt (F461) x 2</p>	<p><b>N</b> </p> <p>25mm Connecting sleeve (F432) x 2</p>	<p><b>O</b> </p> <p>Hinge plate (F523) x 4</p>
<p><b>P</b> </p> <p>Drawer runner (F1004) x 6</p>		<p><b>Q</b> </p> <p>Hinge (F522) x 4</p>
<p><b>R</b> </p> <p>Knock-in Peg (F171GY) x 12</p>	<p><b>S</b> </p> <p>9mm Screw (F74) x 6</p>	<p><b>T</b> </p> <p>Strap</p> <p> Screw  Washer x 2</p> <p>Overbalance protector kit (F269) x 1</p>

## Tools required

Rule	Hammer	Cross-head screwdriver
Square	Bradawl	Eye protection (when using a hammer or drill)
Scissors	Electric drill	
Spirit level	Step ladder	

**Ruler** - Use this ruler to help correctly identify the screws





# Assembly Instructions

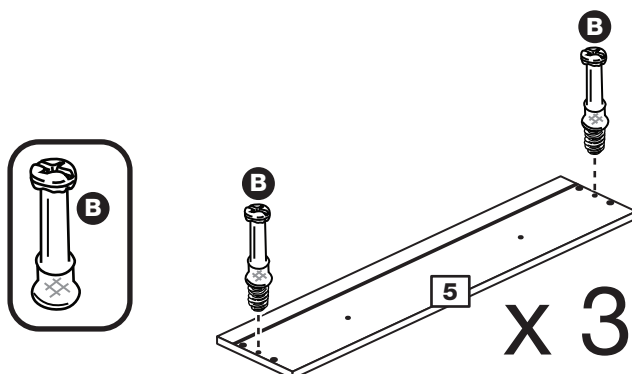
If you have damaged or missing components, call the  
**Customer Helpline: 08456 400800** quoting the reference  
numbers below

## Step 1

### Prepare the 3 drawer fronts

Screw 2 metal dowels **B** into each of the drawer fronts **5**.

**Note:** Tighten the metal dowels up fully against the panels.

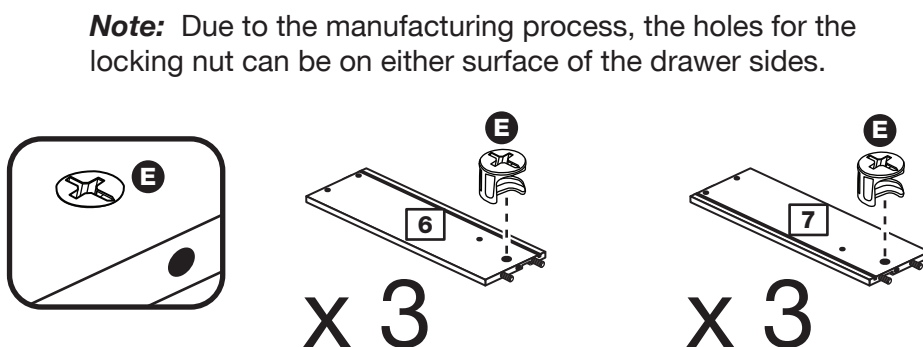


## Step 2

### Prepare the drawer sides

Insert a small locking nut **E** into the hole shown on the left drawer side **6** and the right drawer side **7**.

**Note:** The arrow on the locking nut **must** point towards the hole in the edge of the panel.



## Step 3

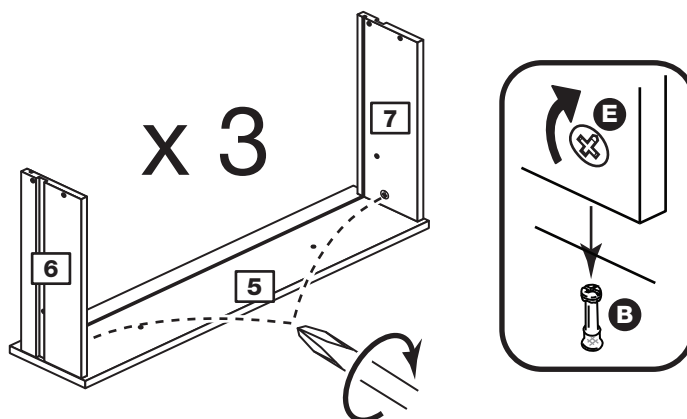
### Attach the drawer sides to the drawer fronts

Push the left drawer sides **6** and right drawer sides **7** onto the back of the drawer fronts **5**.

Turn the small locking nuts **E** on the left drawer side **6** and right drawer side **7**.

**Note:** Turn the locking nuts **E** clockwise to secure panels - more than 1/2 a turn.

**Note:** The locking nuts can be on either surface of the drawer sides. Make sure that the small groove is on the inside, as shown.

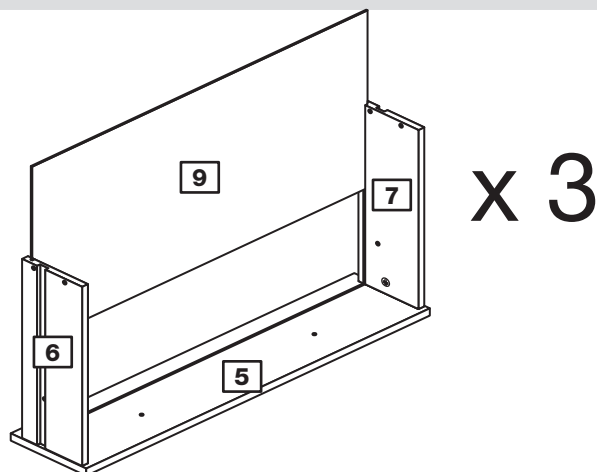


# Assembly Instructions

## Step 4

### Fit the drawer base

Slide the drawer base **9** down the grooves in the drawer sides **6** and **7** and down into the groove in the drawer front **5**.

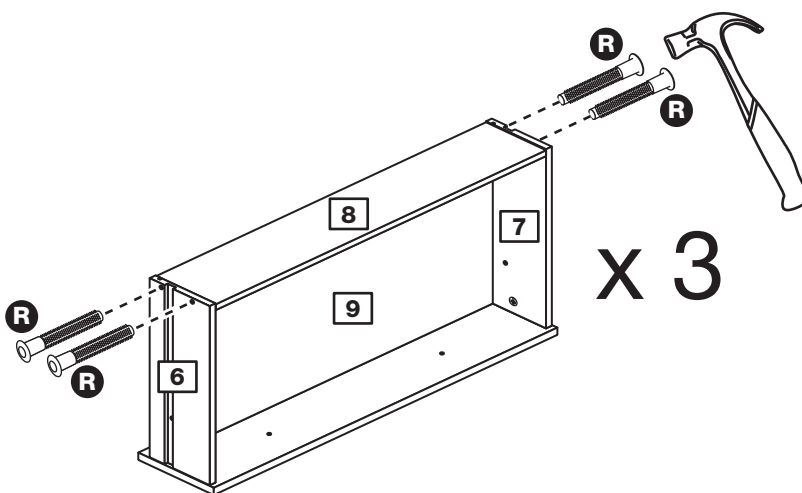


## Step 5

### Fit the drawer back

Fit the drawer back **8** between the drawer sides **6** and **7**. Make sure that the drawer base **9** fits into the groove in the drawer back **8**.

Hold the drawer back **8** in position and tap the knock-in pegs **R** through the holes in the drawer sides **6** and **7**.

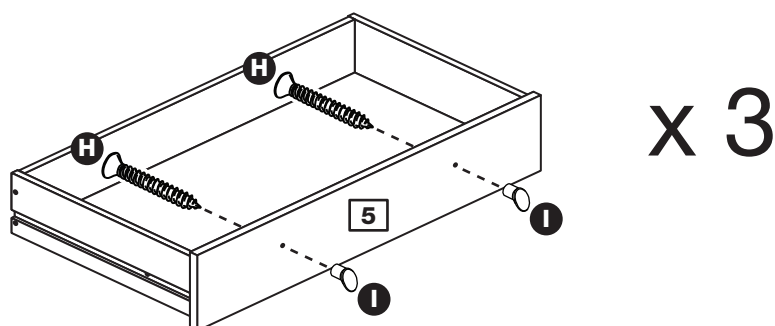


## Step 6

### Attach the handles

Attach a handle **I** to each of the drawer fronts **5** using screw **H**.

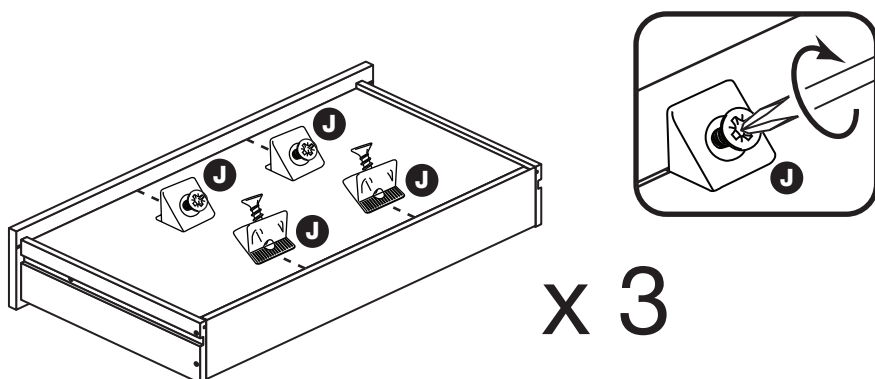
**Note: Do not overtighten the screw.**



## Step 7

### Fit the wedgifixes

Turn the drawer assemblies over and slide 4 wedgifixes **J** into the front and back grooves, as shown, and tighten up the screws.



# Assembly Instructions

## Step 8

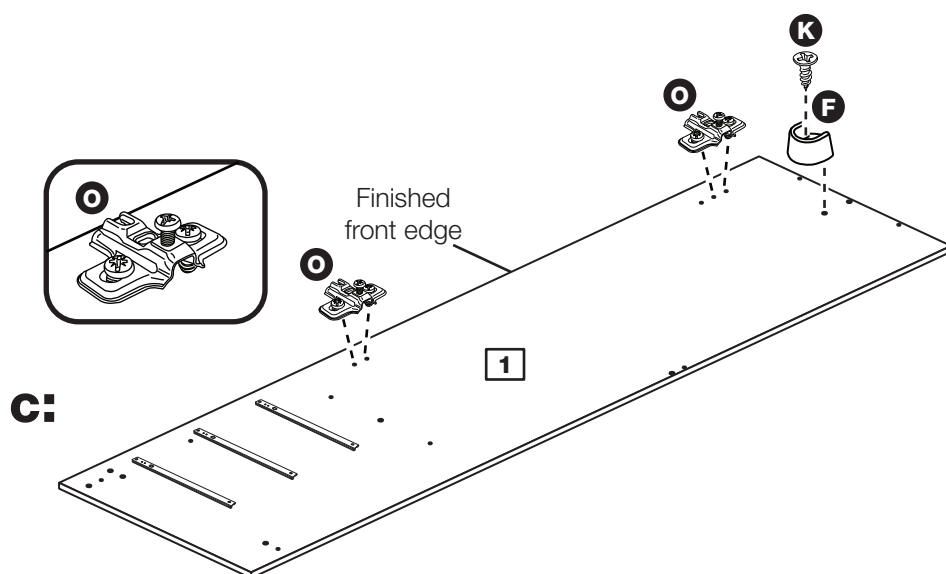
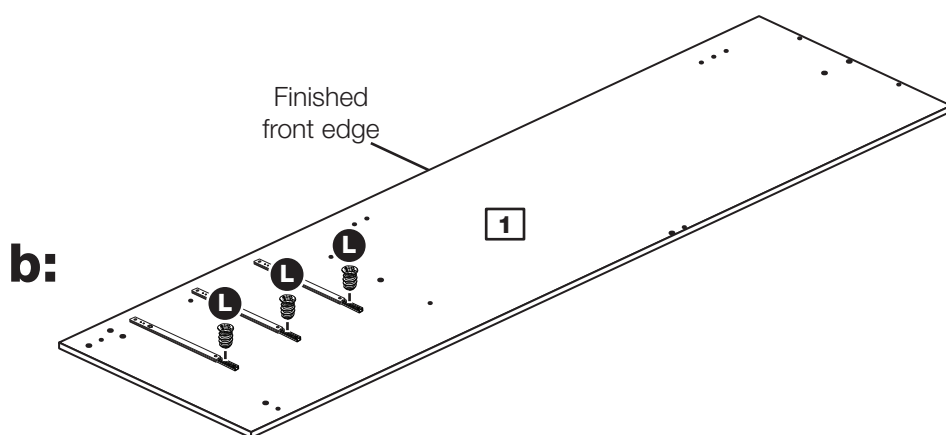
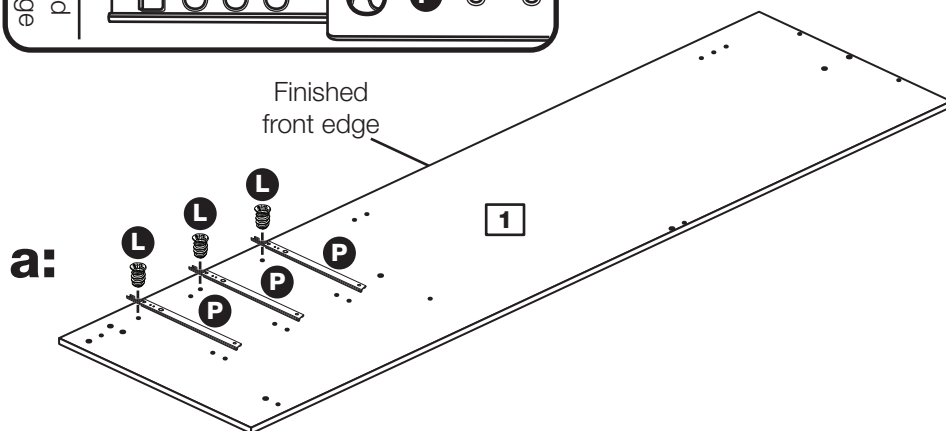
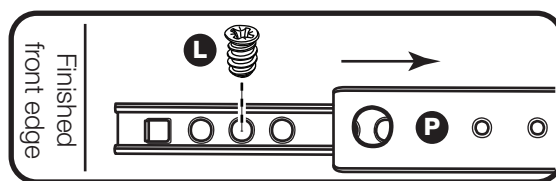
### Prepare the left side

**a:** Place 3 runners **P** on the left side **1** as shown. Slide back the top of runner and use the 2nd hole from the front to fit the 1st screw **L**.

**b:** Slide the runner **P** back the other way and fit the 2nd screw **L** into the corresponding hole in the left side **1**.

**c:** Fit 2 hinge plates **O** onto the left side **1** making sure that the slot is facing towards the finished front edge.

Push a rail holder **F** into the left side **1**. Make sure that it is fitted straight, in line with the panel edges and then secure with screw **K**.



# Assembly Instructions

## Step 9

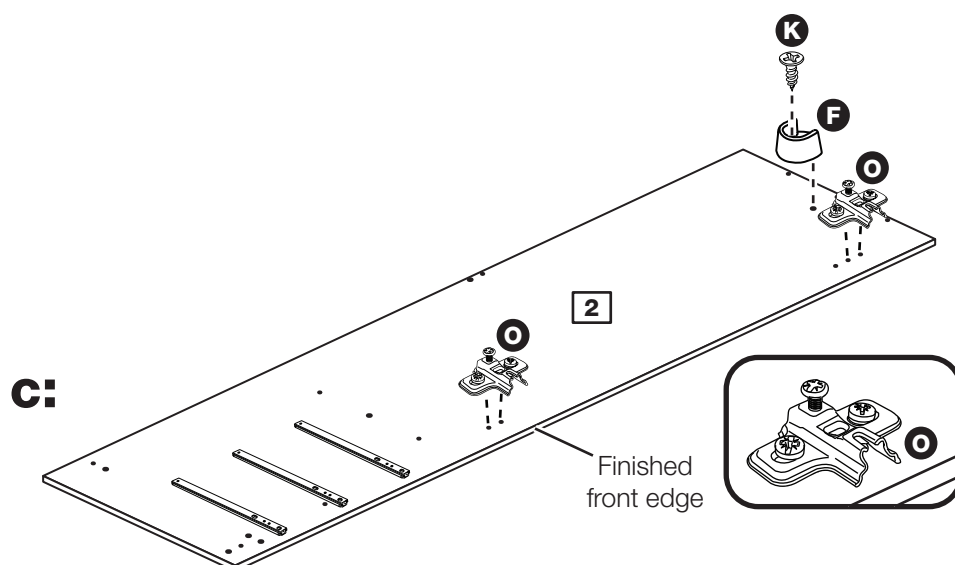
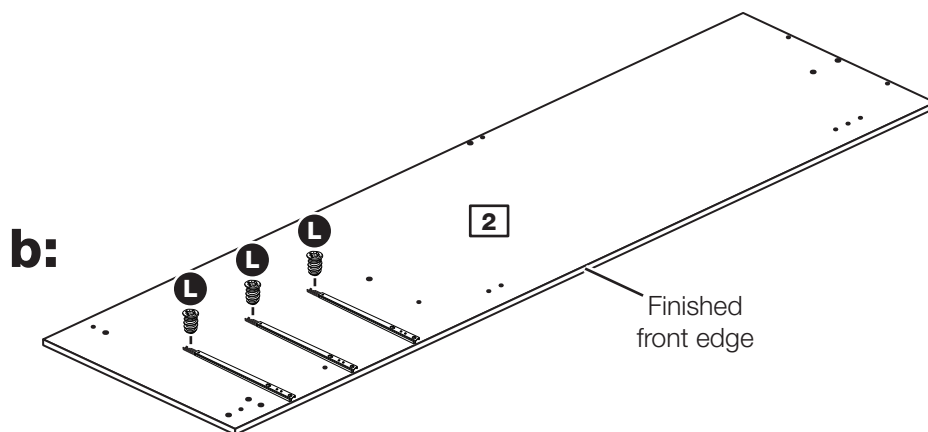
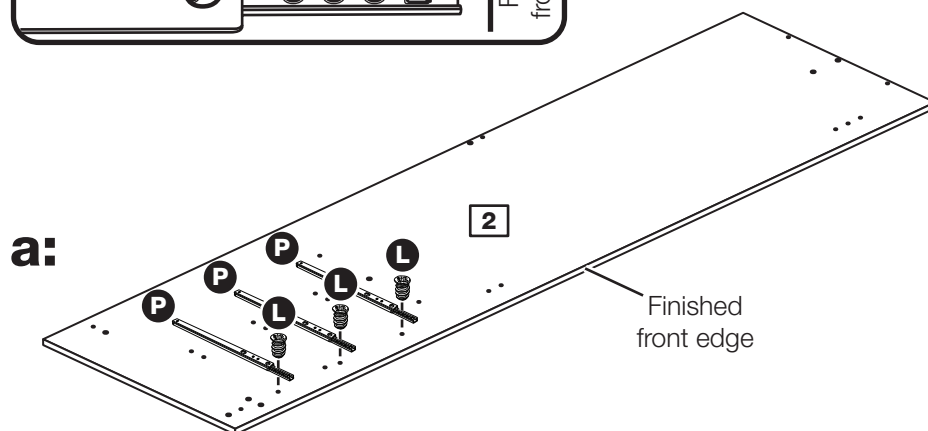
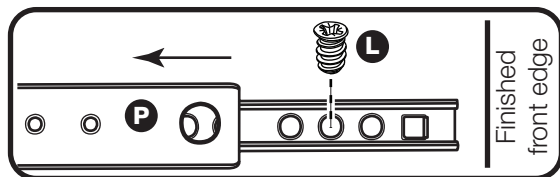
### Prepare the right side

**a:** Place 3 runners **P** on the right side **2** as shown. Slide back the top of runner and use the 2nd hole from the front to fit the 1st screw **L**.

**b:** Slide the runner **P** back the other way and fit the 2nd screw **L** into the corresponding hole in the right side **2**.

**c:** Fit 2 hinge plates **O** onto the right side **2** making sure that the slot is facing towards the finished front edge.

Push a rail holder **F** into the right side **2**. Make sure that it is fitted straight, in line with the panel edges and then secure with screw **K**.



# Assembly Instructions

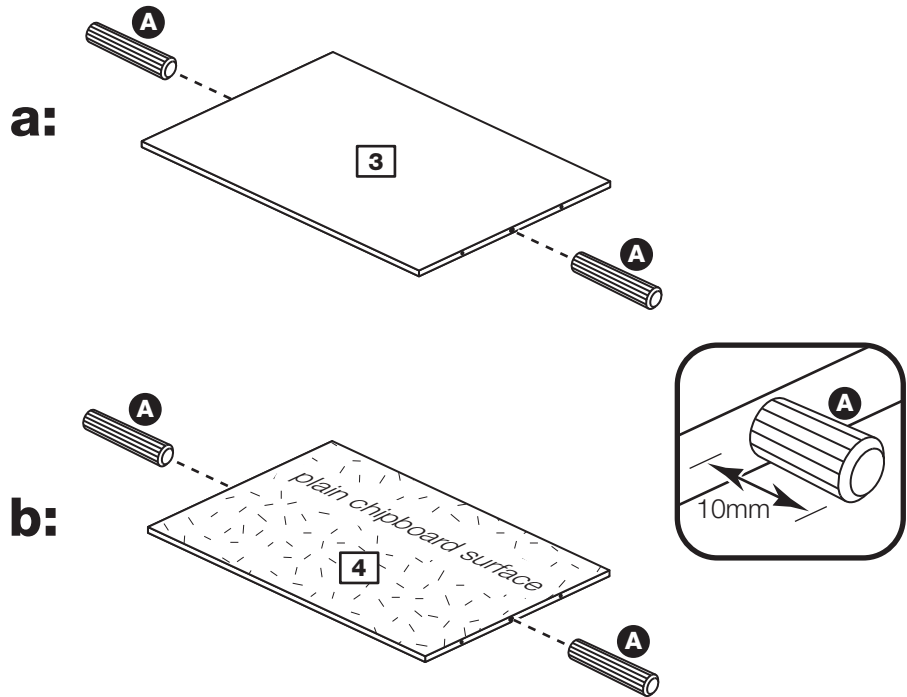
## Step 10

### Prepare top and base

**a:** Tap 2 wooden dowels **A** into the ends of the top **3**.

**b:** Tap 2 wooden dowels **A** into the ends of the base **4**.

**Note:** Wooden dowels **must not** stick out from the edge by more than 10mm or they may damage other panels.

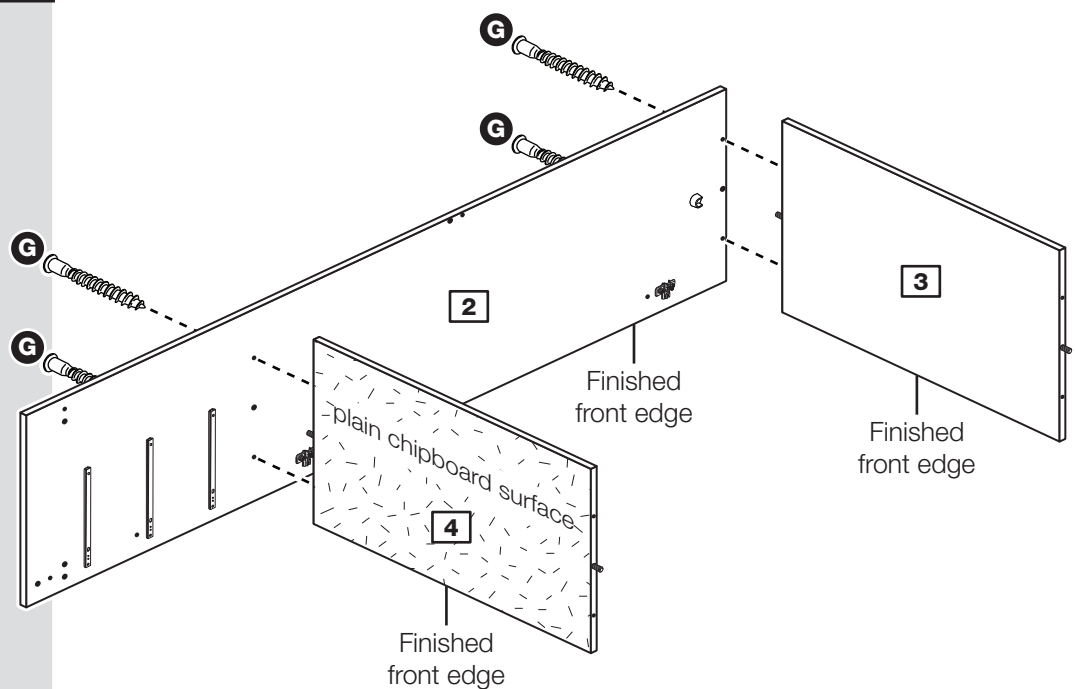


## Step 11

### Fit the top and base to the right side

Push the top **3** onto the right side **2** and secure with 2 screws **G**.

Push the base **4** onto the right side **2** and secure with 2 screws **G**.



# Assembly Instructions

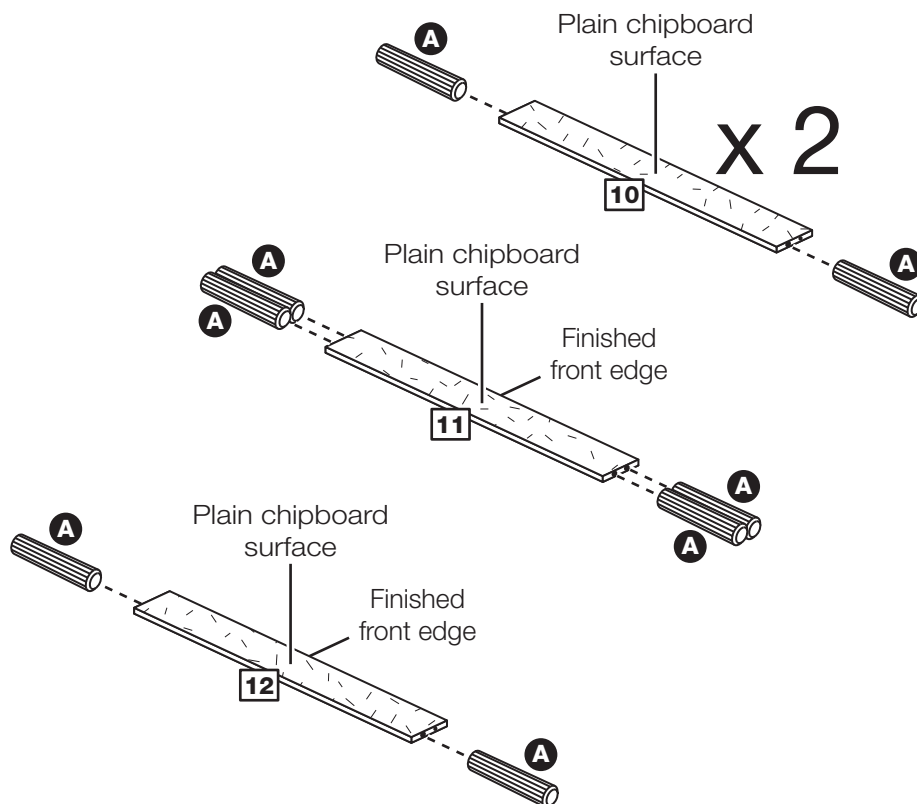
## Step 12

### Prepare the 2 plinths, the rail and the back rail

**a:** Tap 2 wooden dowels **A** into the ends of the 2 plinths **10**.

**b:** Tap 4 wooden dowels **A** into the ends of the rail **11**.

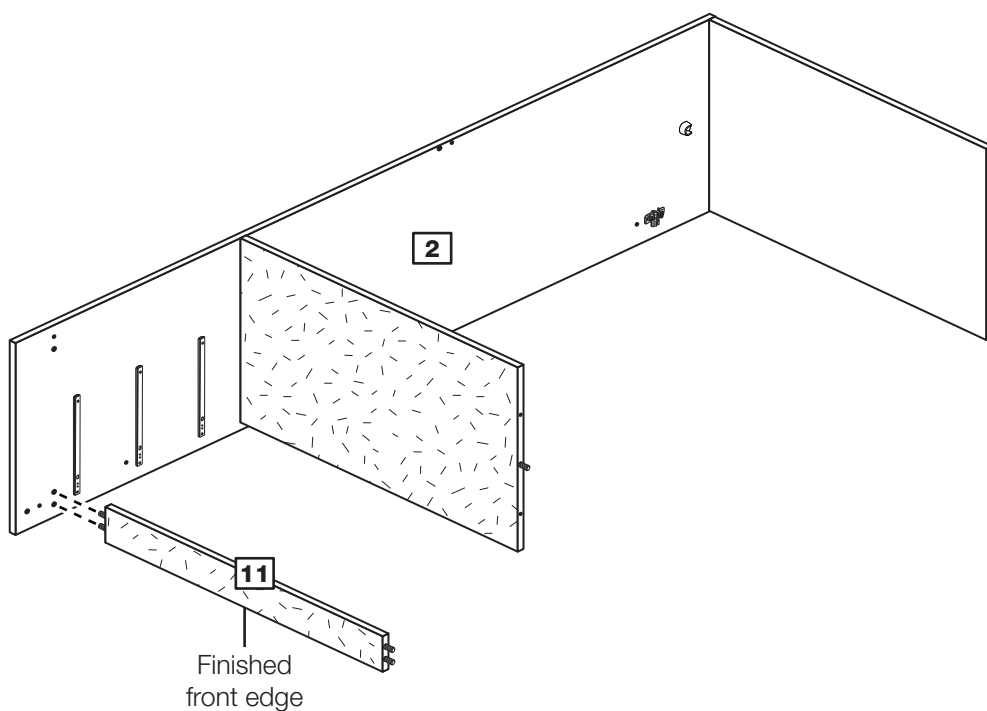
**c:** Tap 2 wooden dowels **A** into the ends of the back rail **12**.



## Step 13

### Fit the rail

Push the rail **11** onto the right side **2**.



# Assembly Instructions

## Step 14

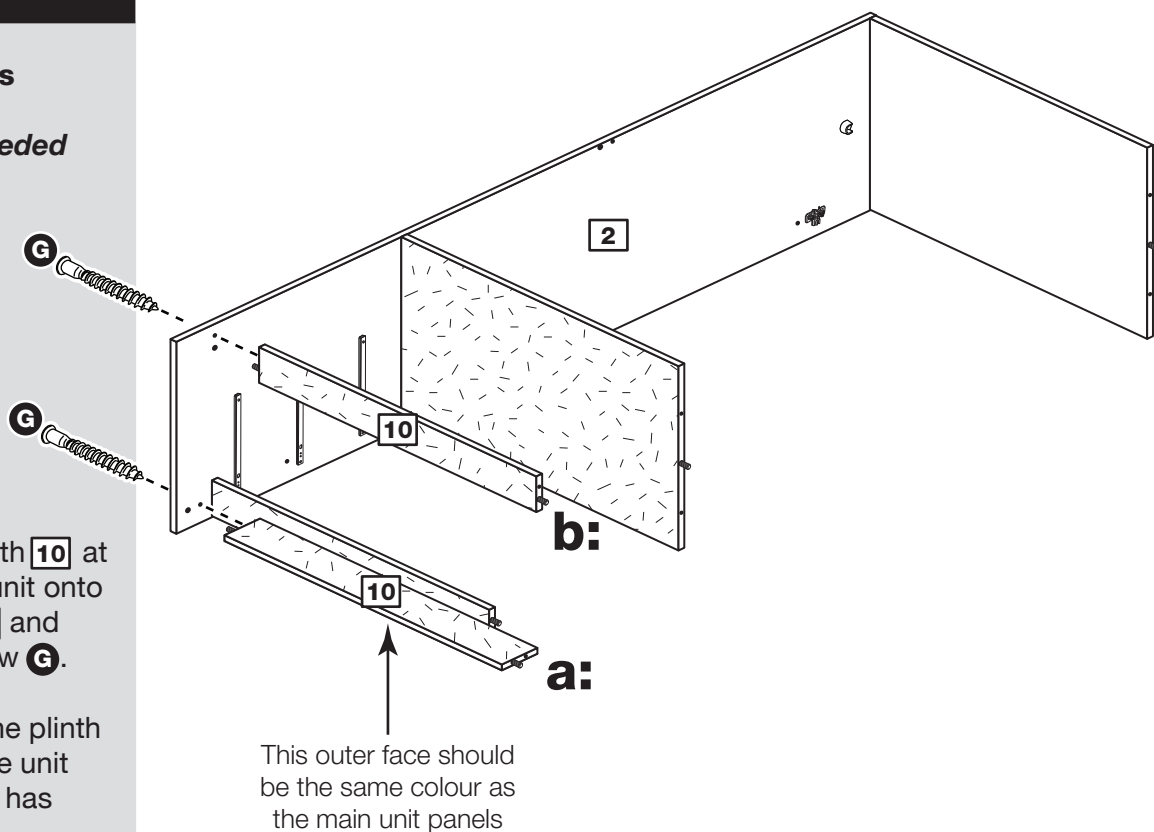
### Fit the 2 plinths

*2 people are needed here*

**a:** Push the plinth **10** at the front of the unit onto the right side **2** and secure with screw **G**.

**b:** Push the plinth **10** at the back of the unit onto the right side **2** and secure with screw **G**.

**Note:** Support the plinth at the back of the unit until the left side has been fitted.

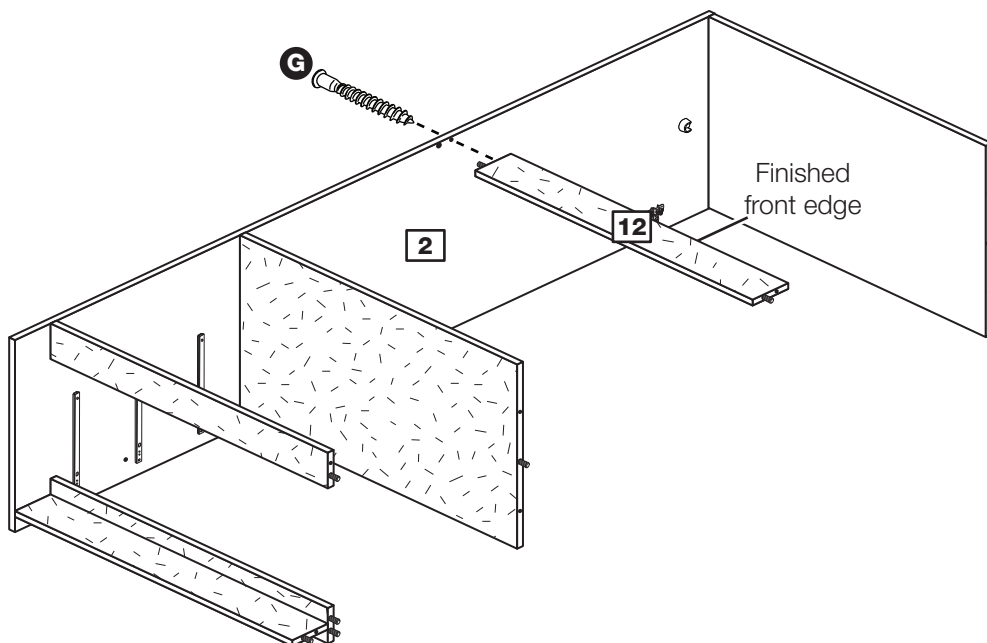


## Step 15

### Fit the back rail

Push the back rail **12** onto the right side **2** and secure with screw **G**.

**Note:** Support the back rail until the left side has been fitted.

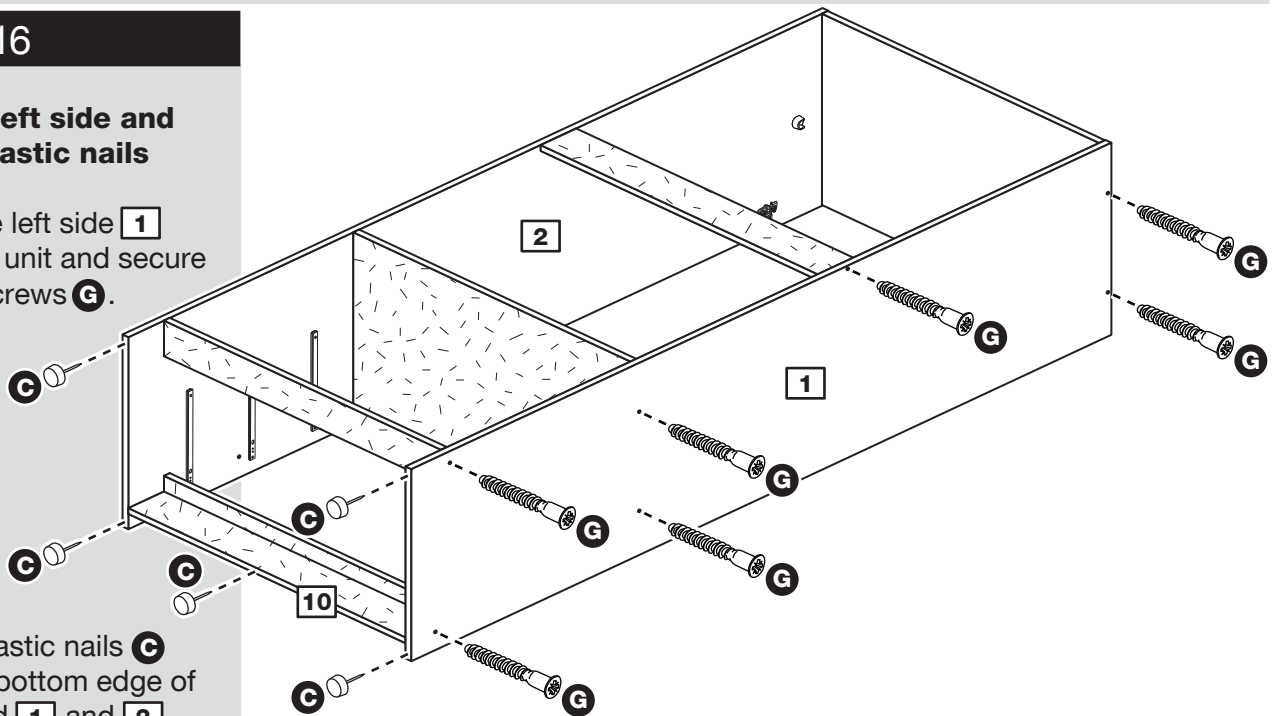


# Assembly Instructions

## Step 16

### Fit the left side and the 4 plastic nails

Push the left side **1** onto the unit and secure with 7 screws **G**.



Tap 2 plastic nails **C** into the bottom edge of each end **1** and **2** and 1 into the plinth **10** as shown.

## Step 17

### Fit the back

**a:** Square up the unit by making sure that measurement **x** to **x** equals **y** to **y**.

**b:** Place the back **15** onto the unit.

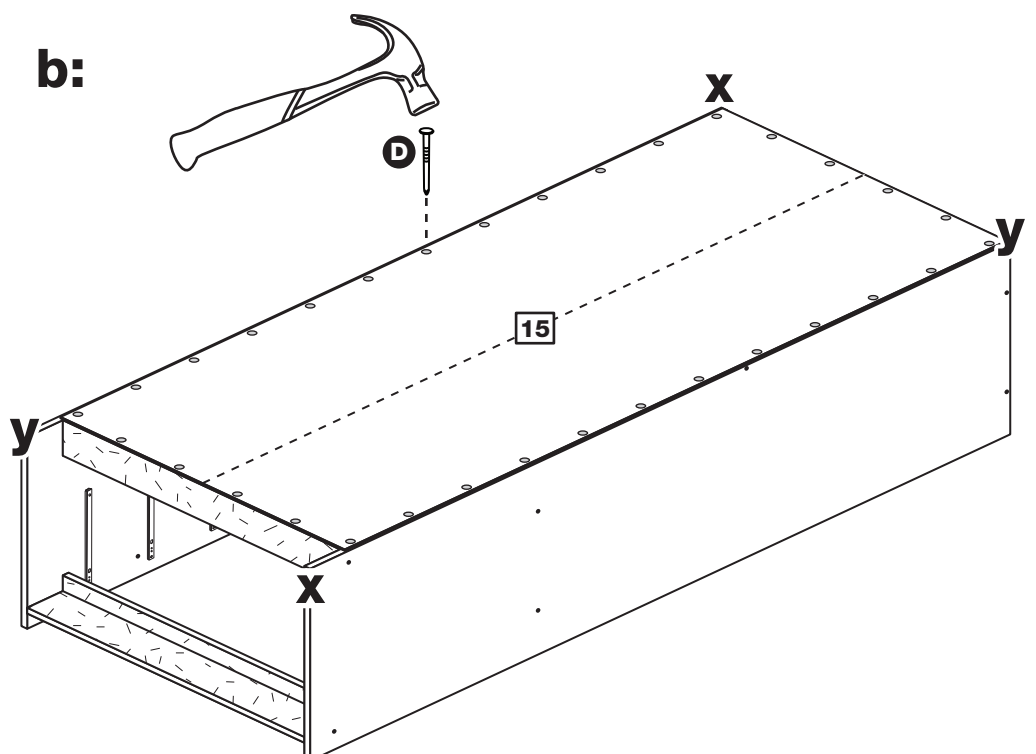
Nail **D** around the outside edges of the back **15**.

**Note:** Nails should be spaced about 150mm apart.

**Stand the unit up for the next step.**

**a:** The measurement from top corner X to bottom corner X must be equal to the measurement from top corner Y to bottom corner Y

**b:**



**Warning:** The robe is heavy. Lift with care.



# Assembly Instructions

## Step 18

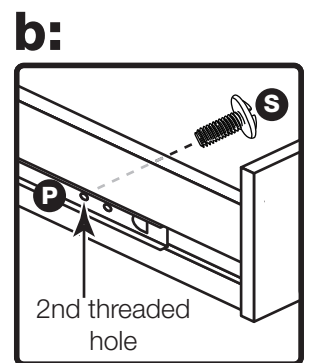
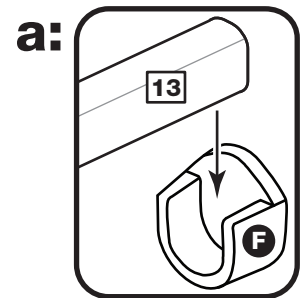
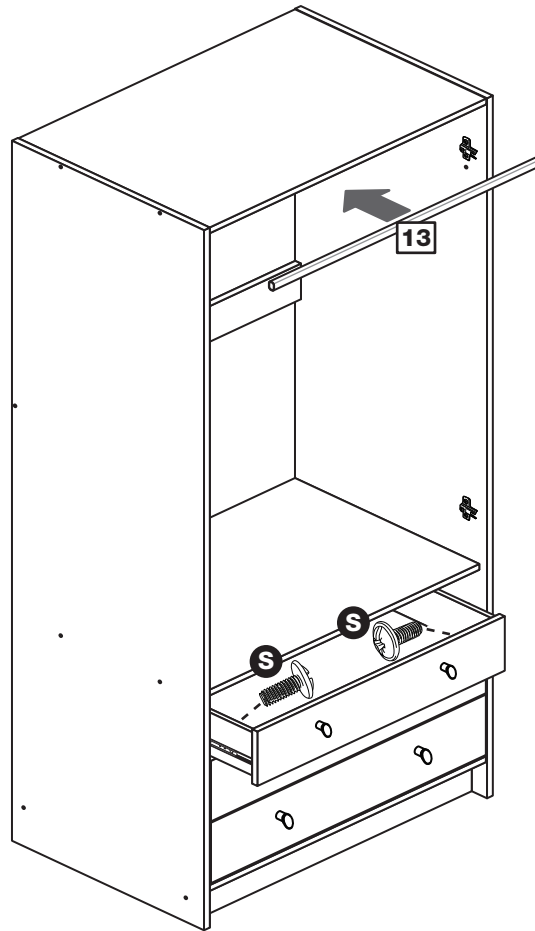
### Fit the hanging rails and drawers

**a:** Push the hanging rail **13** into the rail holders **F**.

**b:** Starting with the bottom drawer, slide both the runners **P** forward and locate the drawer sides **6** and **7** between them, lining up the holes in the drawer wrap with the 2nd 'threaded' holes in the runners **P**.

Working from the inside of the drawer, insert 2 screws **S** through the drawer sides and out into the 2nd threaded hole in the runner.

**Note:** Do not overtighten the screws. If they catch on the runner you may need to loosen them slightly.



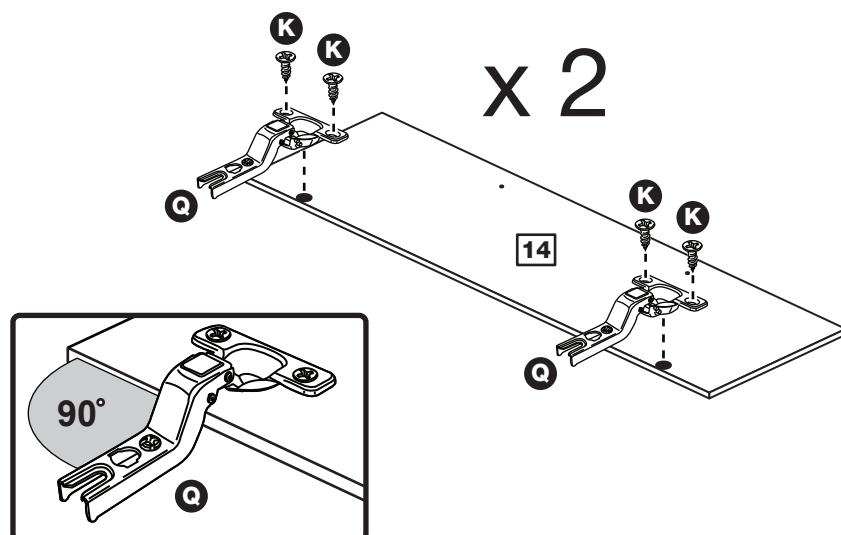
## Step 19

### Prepare the 2 doors

Push fit 2 hinges **Q** into each door **14**.

Secure each hinge with 2 screws **K**.

**Note:** Before securing with the screws, make sure that the hinges are positioned at 90 degrees with the edge of the door.



# Assembly Instructions

## Step 20

### Drill a handle hole in each door

**Important:** Please follow these instructions carefully.

Lay the 2 doors **14** down onto a smooth surface.

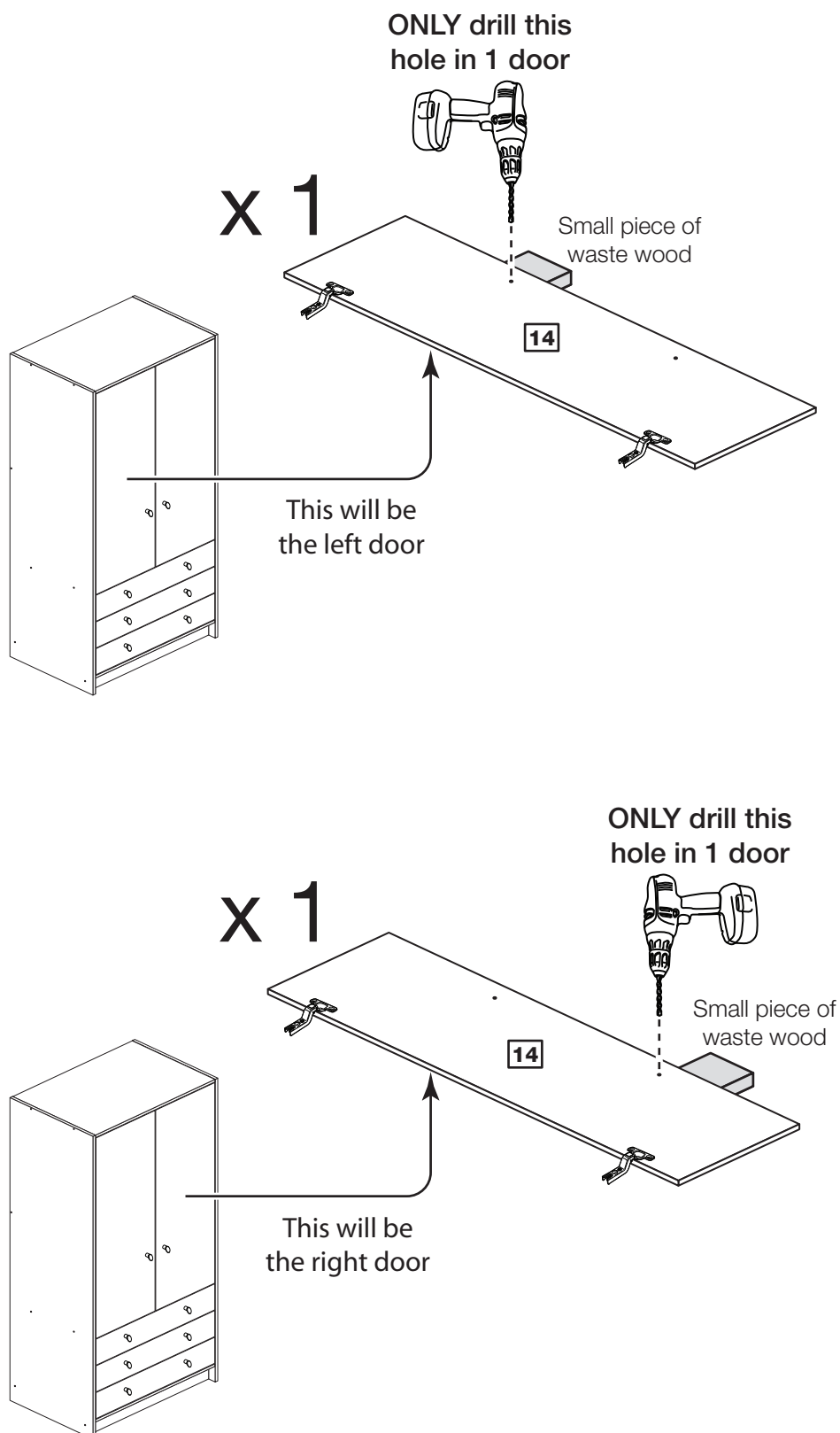
Check that the hinges and holes are in the same place as the diagrams.

**Note:** We recommend the use of a small piece of waste wood, placed behind the hole while drilling, to reduce the possibility of any breakout.

Using the pilot hole in the rear face of the door, drill through the hole indicated opposite, using a 2.5mm diameter drill.

Turn the door over and open out the 2.5mm hole that you have just drilled by drilling back through it with a 5mm drill.

**IMPORTANT**  
Carefully choose which hole you need to drill in each door



# Assembly Instructions

## Step 21

### Fit doors and handles

**Note:** The easiest way to attach each door **14** is to fit the top hinge first, then align and fit the other hinges.

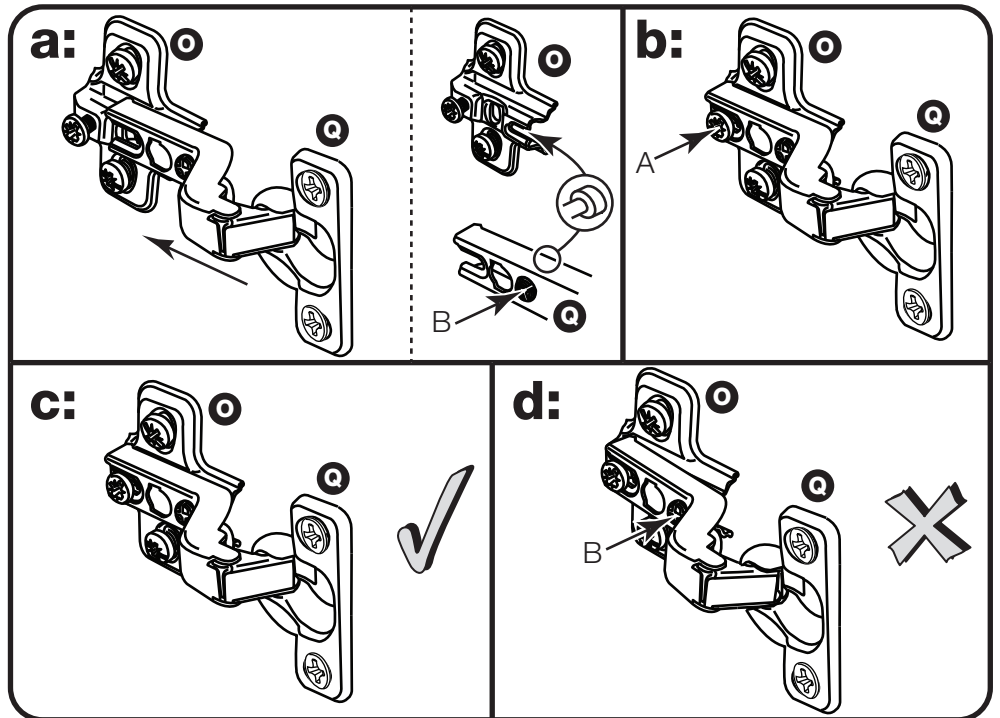
**a:** Push the hinge **ⓐ** onto the front part of the hinge plate **ⓐ**. The recess at the bottom of screw B goes into the slot in the hinge plate.

**b:** Keep the hinge **ⓐ** FLAT against the hinge plate **ⓐ** as you slide it across as far as it will go. Tighten screw A.

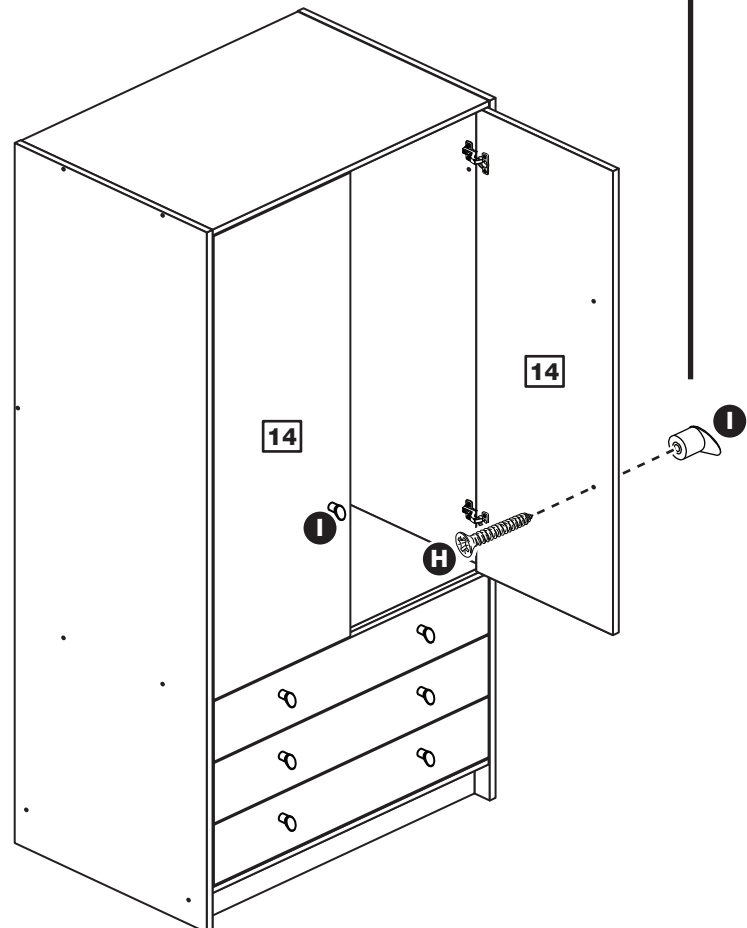
**c:** The hinge **ⓐ** must be flat against the hinge plate **ⓐ** prior to any adjustment.

**d:** The hinge **ⓐ** must NOT be AT AN ANGLE to the hinge plate **ⓐ** when assembled. This would indicate that the recess at the bottom of screw B had not located in the slot in the hinge plate and the hinge would not be secure. Remove the hinge from the hinge plate and then re-assemble being careful to follow instructions a-c.

**e:** Attach a handle **Ⓛ** to each door **14** using screws **Ⓜ**.



**Note:** When fitting the doors, make sure that the handle hole you had to drill is nearest to the bottom of each door.



# Assembly Instructions

## Step 22

### Adjust the doors if needed

**a:** Before adjusting the doors, use a spirit level to check the base (or top) of the unit is level, front-to-back and side-to-side in the 3 positions shown. Use suitable packing pieces (not supplied) to make the unit level BEFORE making any adjustment to the hinges, as shown.

### **b:** Height adjustment.

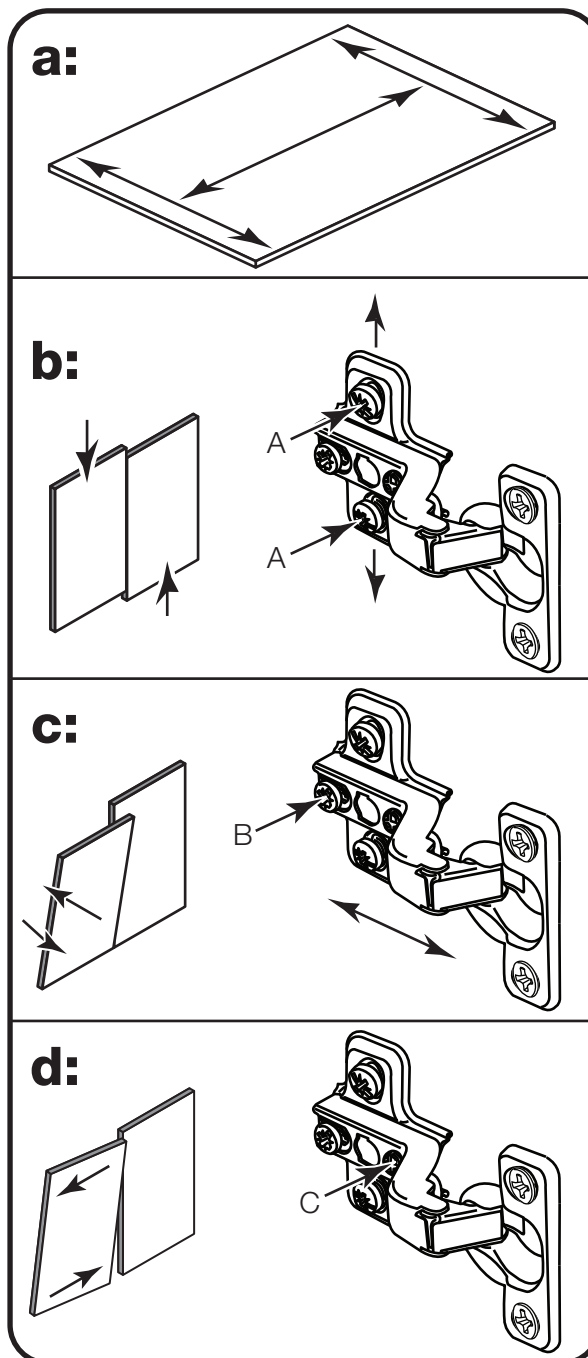
Loosen screws A on hinge plates and move door up or down as required. Retighten screw A.

### **c:** Forward and Back adjustment.

Loosen screw B on hinge plate and move door in or out as required. Retighten screw B.

### **d:** Sideways adjustment.

To move door 'out' loosen screw C. To move door 'in' tighten screw C.



# Assembly Instructions

## Step 23

### Joining units together

Fittings have been supplied so you are able to join units together.

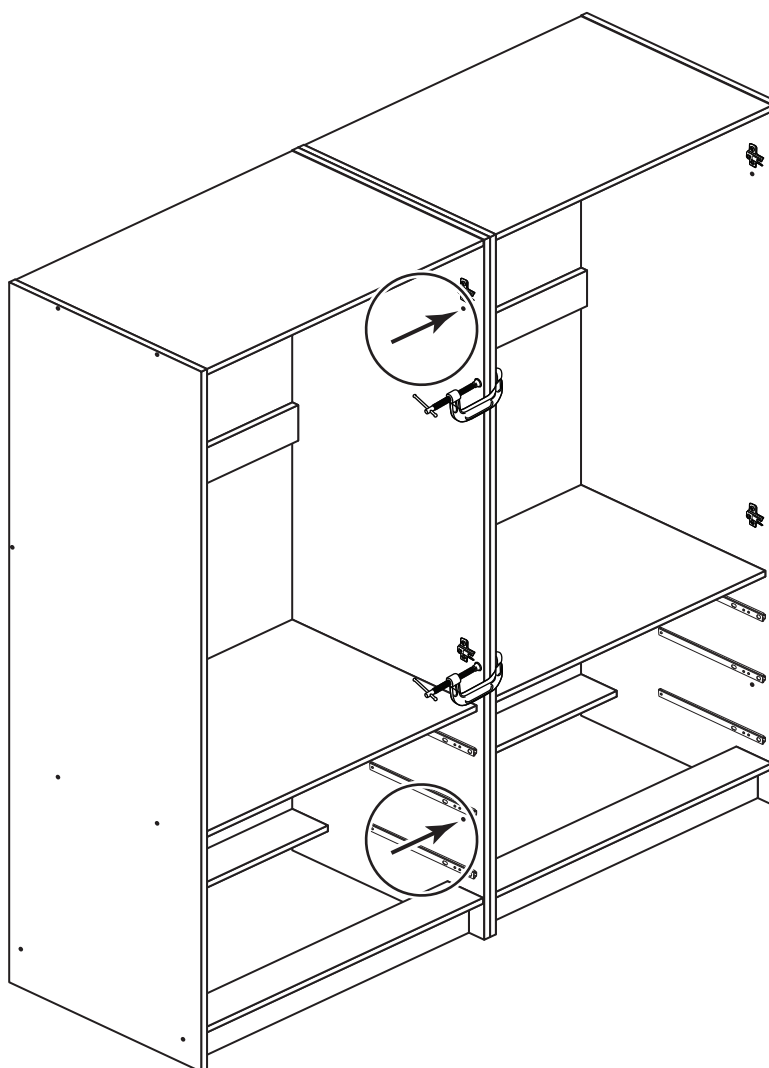
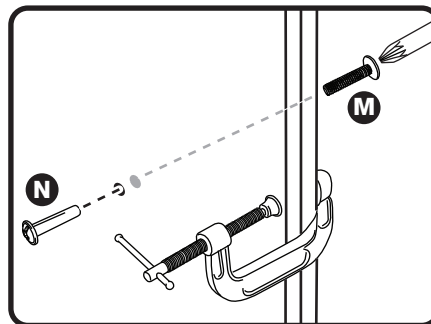
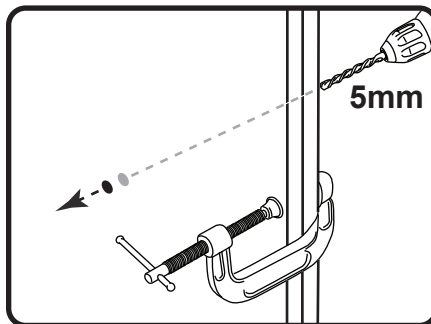
Make sure that your first unit is level.

Push the other unit up against the first unit and ensure both units are level.

Check that the ends are flush and in line, then clamp them together.

Using a 5mm drill bit, drill through the 2 holes (shown circled) in the side panel into the adjoining side panel of the other unit.

Push the connecting sleeves **N** into the holes and then screw the connecting bolts **M** in from the other side.



# Assembly Instructions

## Step 24

### Fit the overbalance protector kit

To prevent possible overbalancing we recommend that this unit is secured to a suitable wall by fitting of the overbalance protector kit **T** to the unit, or an alternative fixing method of your choice.

Wall fixings are not supplied as they will need to suit the wall type.

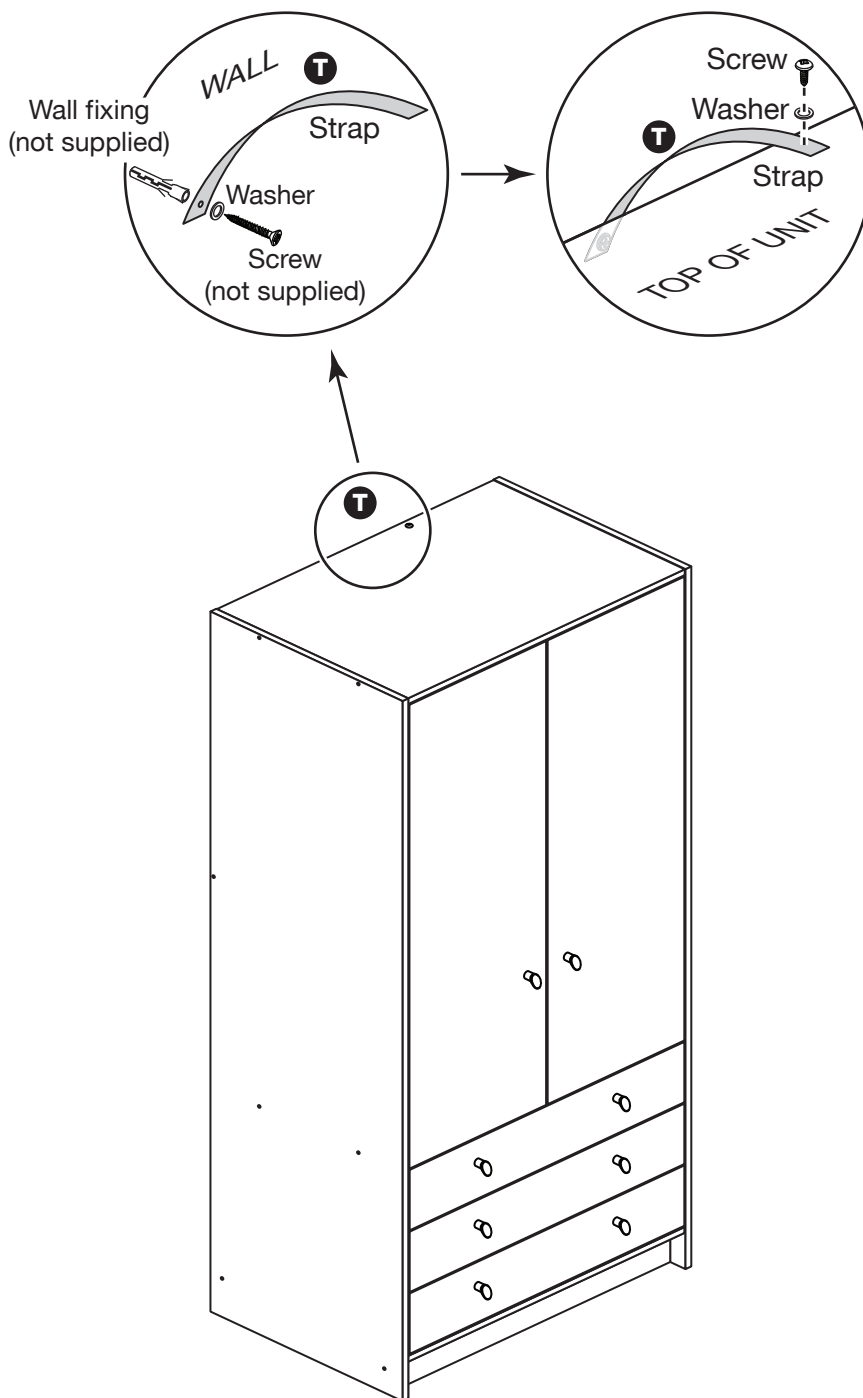
**Note:** Take care when drilling the wall that you do not drill into any pipes, wires etc. If in doubt, consult an expert.

### Assembly is complete



#### **WARNING.**

This unit is heavy.  
Lift and handle with care.



If you need help or have damaged or missing parts, call the Customer Helpline: 03456 400800 and quote the reference numbers on the component pages.

Argos Ltd, 489-499 Avebury Boulevard, Central Milton Keynes, MK9 2NW







# Malibu - 3 Drawer 2 Door Robe

Assembly Instructions - Please keep for future reference

227/8232

238/3574

258/2904

237/1287

258/7679

279/1496

262/6217

258/8032

257/2512

279/1960

255/7788

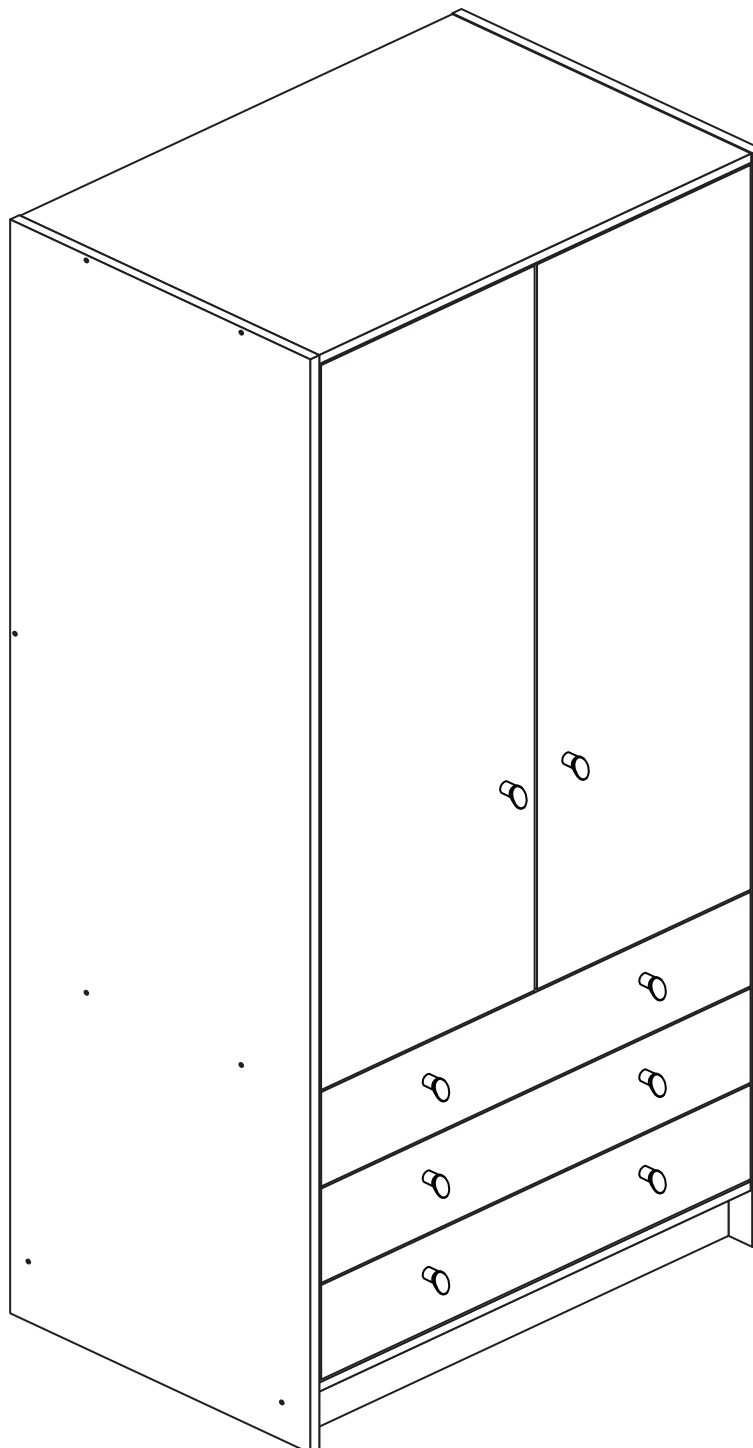
247/7662

266/7355

249/6612

278/5189

278/0830



## Dimensions

Width - 74.5cm

Depth - 50cm

Height - 181cm



**MADE IN  
BRITAIN**

**Important** - Please read these instructions fully before starting assembly

If you need help or have damaged or missing parts, call the **Customer Helpline: 03456 400800**



# Safety and Care Advice

**Important - Please read these instructions fully before starting assembly**

- **Warning:** This unit weighs approximately 49.5kgs. Please lift with care.

- Check you have all the components and tools listed on pages 2 and 3.

- Remove all fittings from the plastic bags and separate them into their groups.

- Keep children and animals away from the work area, small parts could choke if swallowed.

- Parts of the assembly will be easier with 2 people.

- Make sure you have enough space to layout the parts before starting.

- Do not stand or put weight on the product, this could cause damage.

- Assemble the item as close to its final position (in the same room) as possible.

- Assemble on a soft level surface to avoid damaging the unit or your floor (use opened out unit carton).



- We do not recommend the use of power drill/drivers **for inserting screws**, as this could damage the unit. Only use hand screwdrivers.

- **Safety note:** It is recommended that this unit is secured to a wall using the strap supplied.

- Dispose of all packaging carefully and responsibly.

## Care and maintenance

- Only clean using a damp cloth and mild detergent, do not use bleach or abrasive cleaners.

- From time to time check that there are no loose screws on this unit.

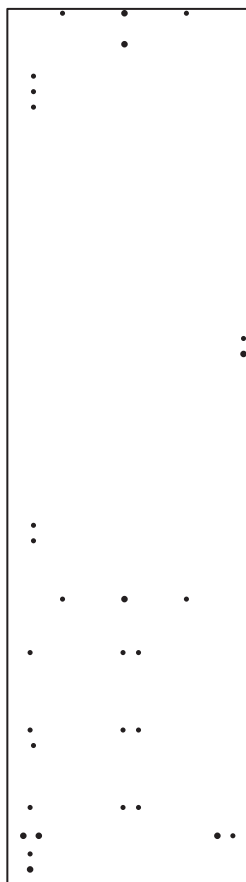
- This product should not be discarded with household waste. Take to your local authority waste disposal centre.

**Note:** If required the next page can be cut out and used as reference throughout the assembly. Keep this page with these instructions for future reference.

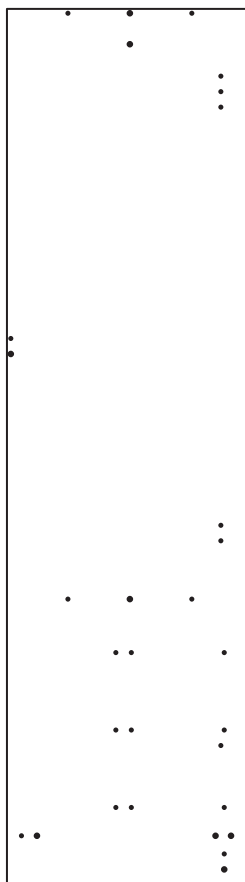
# Components - Panels

If you have damaged or missing components, call the  
**Customer Helpline: 03456 400800** quoting the reference  
 numbers below

Please check you have all the panels listed below



**1** Left Side (D2871A)  
(1808 x 496mm)



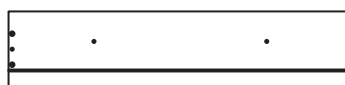
**2** Right Side (D2872A)  
(1808 x 496mm)



**3** Top (D2870A)  
(716 x 494mm)



**4** Base (D2841A)  
(716 x 476mm)



**5** Drawer Front (D2783A)  
(710 x 156mm) x 3



**6** Left Drawer Side (W370-124LH)  
(370 x 124mm) x 3



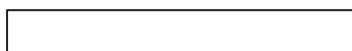
**7** Right Drawer Side (W370-124RH)  
(370 x 124mm) x 3



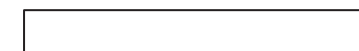
**8** Drawer Back (W682-124BCK)  
(682 x 124mm) x 3



**9** Drawer Base (T693-367)  
(693 x 367mm) x 3



**10** Plinth (D2873A)  
(716 x 92mm) x 2



**12** Back Rail (D2847A)  
(716 x 92mm)



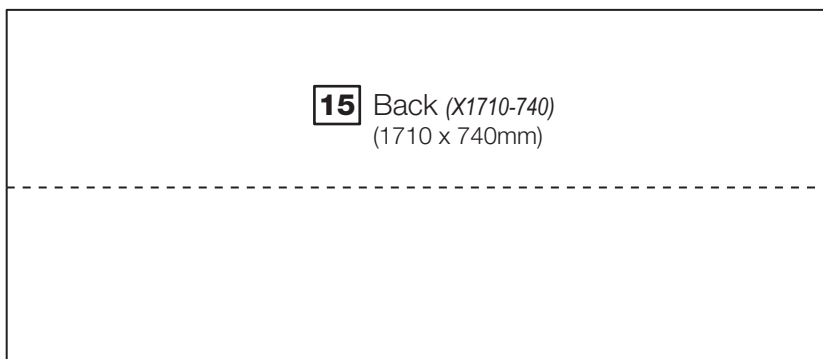
**11** Rail (D2874A)  
(716 x 92mm)



**13** Hanging Rail (FHR704)  
(704mm long)



**14** Door (D2857A)  
(1198 x 353mm) x 2



**15** Back (X1710-740)  
(1710 x 740mm)


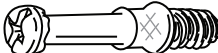
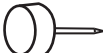
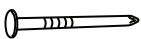








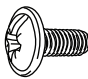



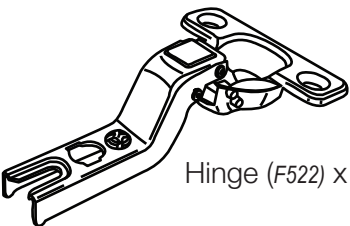
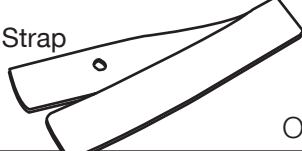





# Components - Fittings

If you have damaged or missing components, call the **Customer Helpline: 03456 400800** quoting the reference numbers below

Please check you have all the fittings listed below

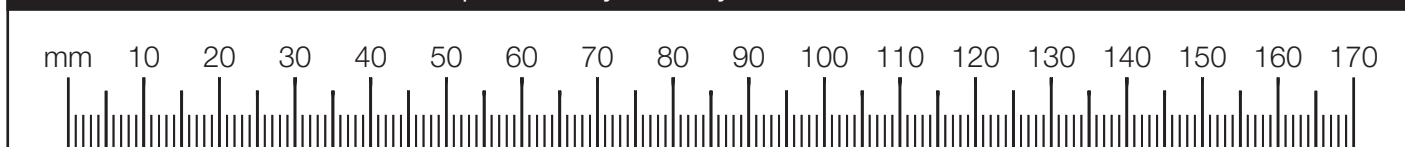
**Note:** The quantities below are the correct amount to complete the assembly. In some cases more fittings may be supplied than are required.

<p><b>A</b> </p> <p>Wooden dowel (F22) x 14</p>	<p><b>B</b> </p> <p>Metal dowel (F901) x 6</p>	<p><b>C</b> </p> <p>Plastic Nail (F91) x 5</p>
<p><b>D</b> </p> <p>Nail (F51) x 33</p>	<p><b>E</b> </p> <p>Small locking nut (F3) x 6</p>	<p><b>F</b> </p> <p>Rail holder (F1014) x 2</p>
<p><b>G</b> </p> <p>40mm Screw (F910) x 14</p>	<p><b>H</b> </p> <p>25mm Screw (F50) x 8</p>	<p><b>I</b> </p> <p>Handle (F631) x 8</p>
<p><b>J</b> </p> <p>Wedgex (F639) 12</p>	<p><b>K</b> </p> <p>13mm Screw (F63) x 10</p>	<p><b>L</b> </p> <p>9mm Screw (F73) x 12</p>
<p><b>M</b> </p> <p>9mm Screw (F74) x 6</p>	<p><b>N</b> </p> <p>Knock-in Peg (F171GY) x 12</p>	<p><b>O</b> </p> <p>Hinge plate (F523) x 4</p>
<p><b>P</b> </p> <p>Drawer runner (F1004) x 6</p>		<p><b>Q</b> </p> <p>Hinge (F522) x 4</p>
<p><b>R</b>    </p> <p>Strap Screw Washer x 2</p> <p>Overbalance protector kit (F269) x 1</p>		

## Tools required

Rule	Hammer	Cross-head screwdriver
Square	Bradawl	Eye protection (when using a hammer or drill)
Scissors	Electric drill	
Spirit level	Step ladder	

**Ruler** - Use this ruler to help correctly identify the screws



# Assembly Instructions

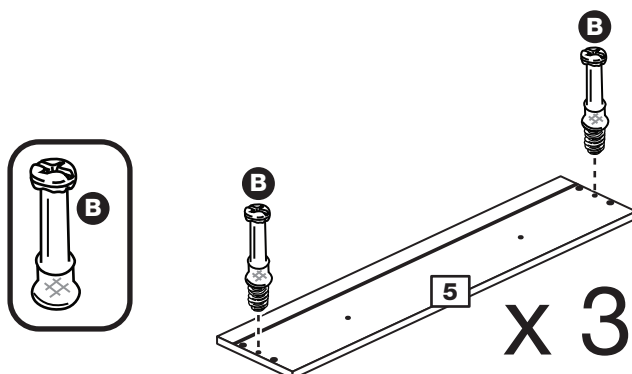
If you have damaged or missing components, call the  
**Customer Helpline: 08456 400800** quoting the reference  
numbers below

## Step 1

### Prepare the 3 drawer fronts

Screw 2 metal dowels **B** into each of the drawer fronts **5**.

**Note:** Tighten the metal dowels up fully against the panels.

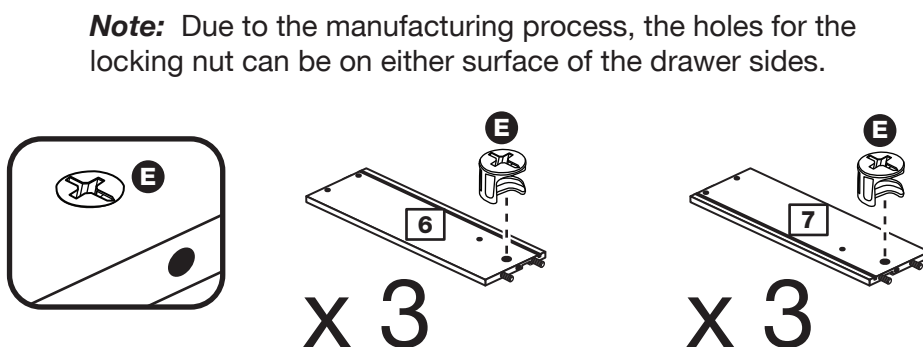


## Step 2

### Prepare the drawer sides

Insert a small locking nut **E** into the hole shown on the left drawer side **6** and the right drawer side **7**.

**Note:** The arrow on the locking nut **must** point towards the hole in the edge of the panel.



## Step 3

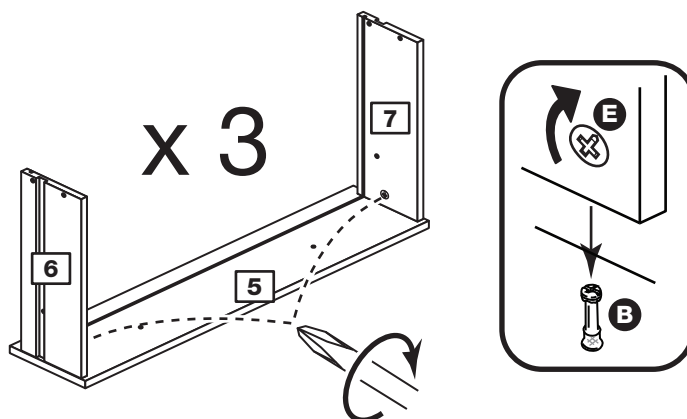
### Attach the drawer sides to the drawer fronts

Push the left drawer sides **6** and right drawer sides **7** onto the back of the drawer fronts **5**.

Turn the small locking nuts **E** on the left drawer side **6** and right drawer side **7**.

**Note:** Turn the locking nuts **E** clockwise to secure panels - more than 1/2 a turn.

**Note:** The locking nuts can be on either surface of the drawer sides. Make sure that the small groove is on the inside, as shown.

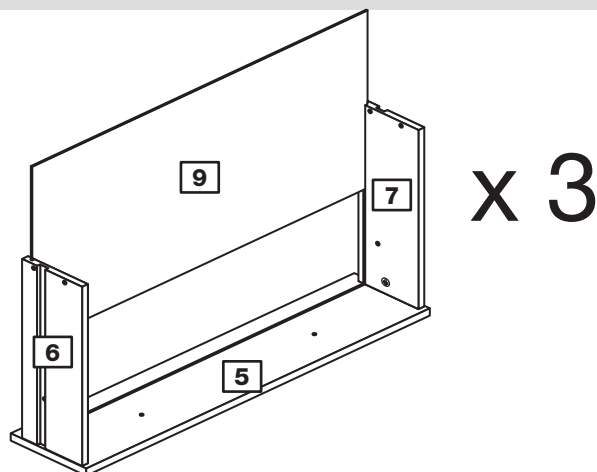


# Assembly Instructions

## Step 4

### Fit the drawer base

Slide the drawer base **9** down the grooves in the drawer sides **6** and **7** and down into the groove in the drawer front **5**.

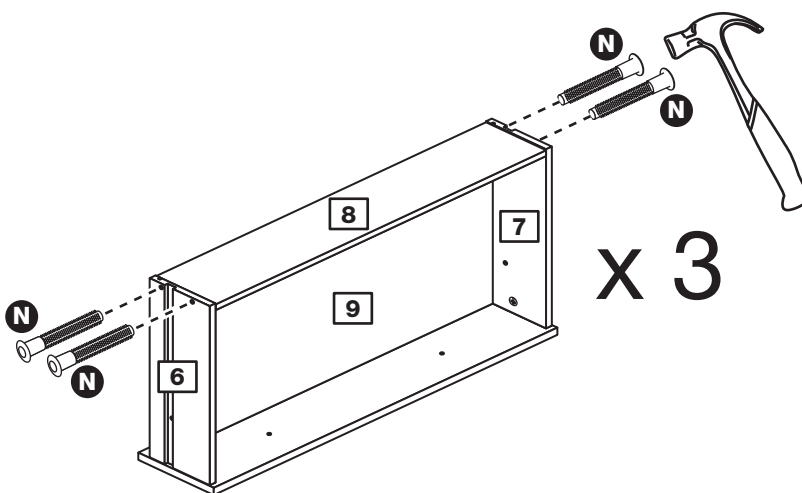


## Step 5

### Fit the drawer back

Fit the drawer back **8** between the drawer sides **6** and **7**. Make sure that the drawer base **9** fits into the groove in the drawer back **8**.

Hold the drawer back **8** in position and tap the knock-in pegs **N** through the holes in the drawer sides **6** and **7**.

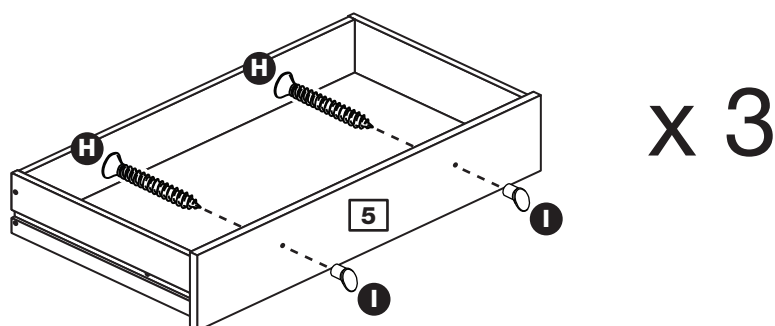


## Step 6

### Attach the handles

Attach a handle **I** to each of the drawer fronts **5** using screw **H**.

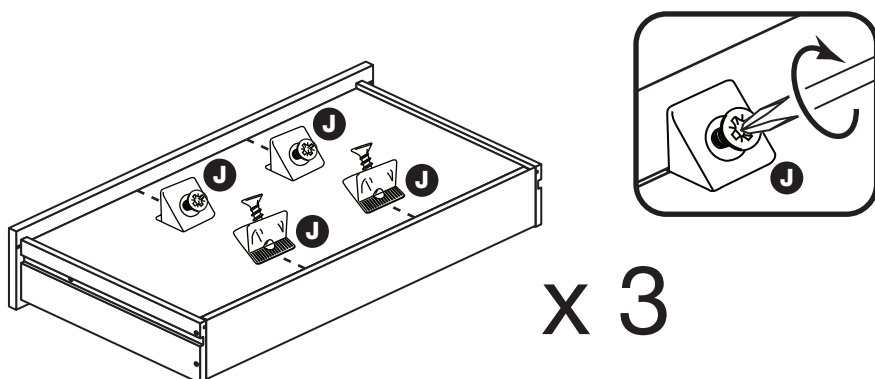
**Note: Do not overtighten the screw.**



## Step 7

### Fit the wedgexes

Turn the drawer assemblies over and slide 4 wedgexes **J** into the front and back grooves, as shown, and tighten up the screws.



# Assembly Instructions

## Step 8

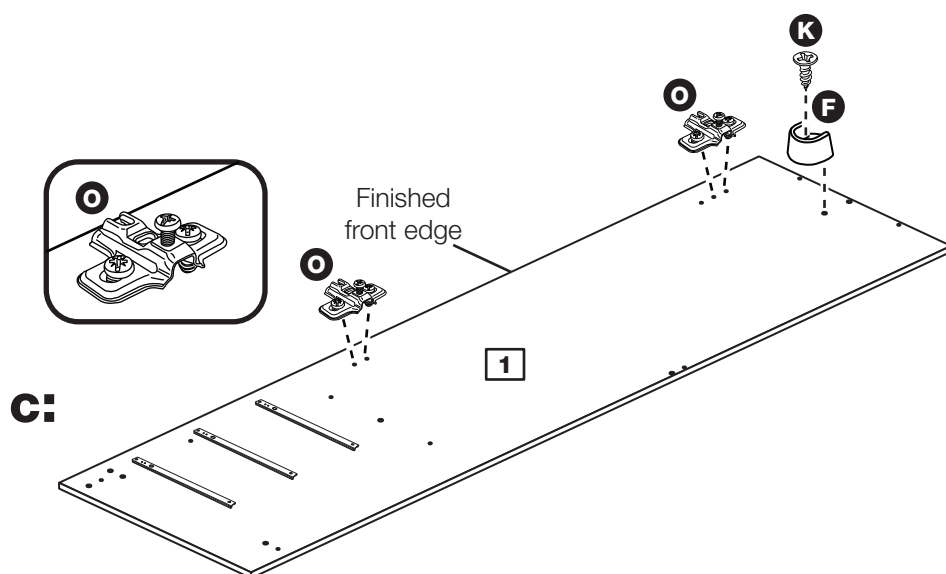
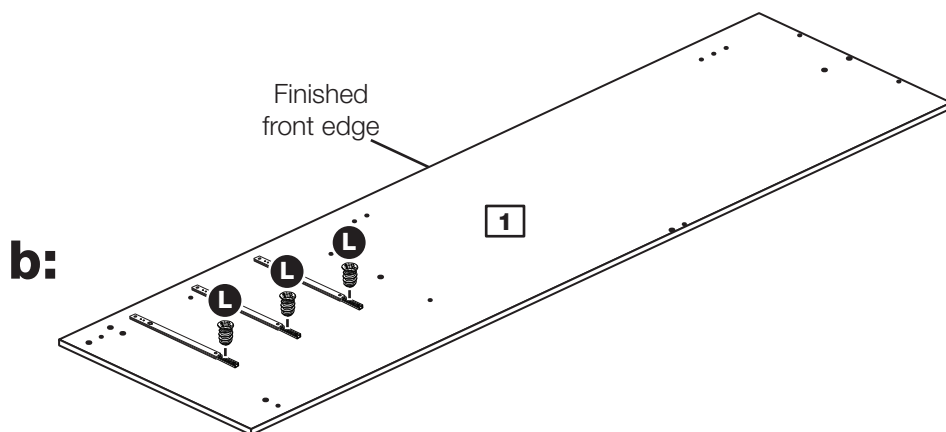
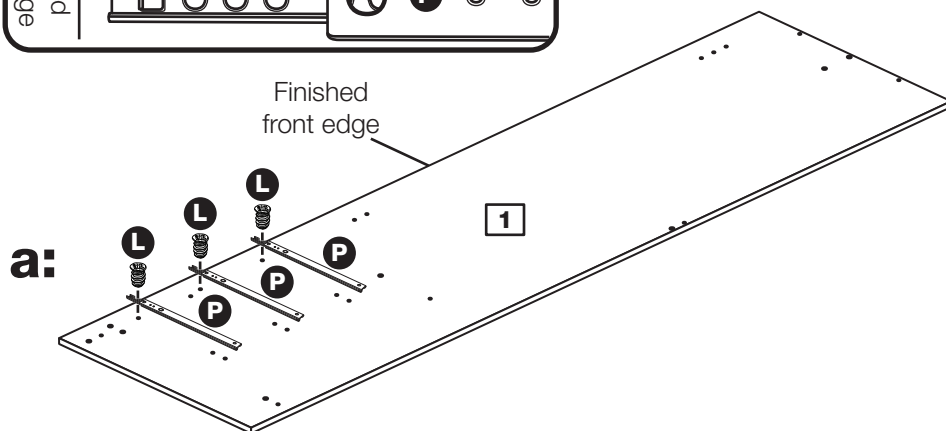
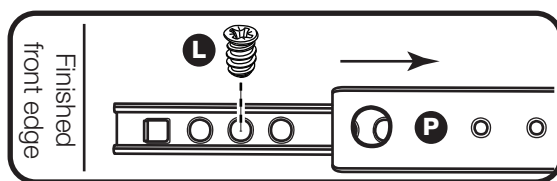
### Prepare the left side

**a:** Place 3 runners **P** on the left side **1** as shown. Slide back the top of runner and use the 2nd hole from the front to fit the 1st screw **L**.

**b:** Slide the runner **P** back the other way and fit the 2nd screw **L** into the corresponding hole in the left side **1**.

**c:** Fit 2 hinge plates **O** onto the left side **1** making sure that the slot is facing towards the finished front edge.

Push a rail holder **F** into the left side **1**. Make sure that it is fitted straight, in line with the panel edges and then secure with screw **K**.



# Assembly Instructions

## Step 9

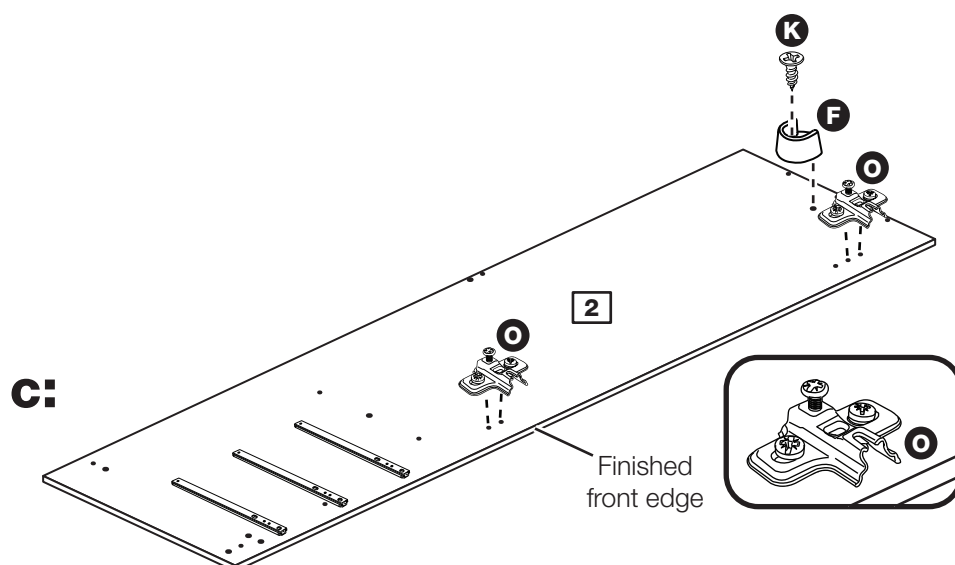
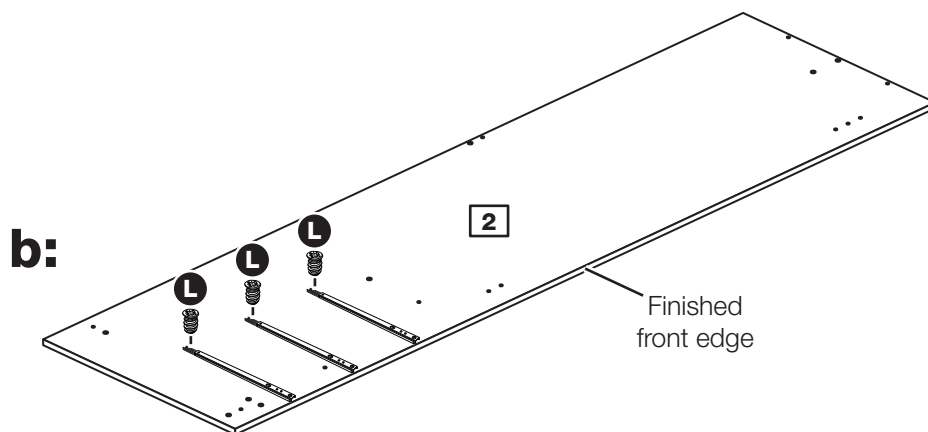
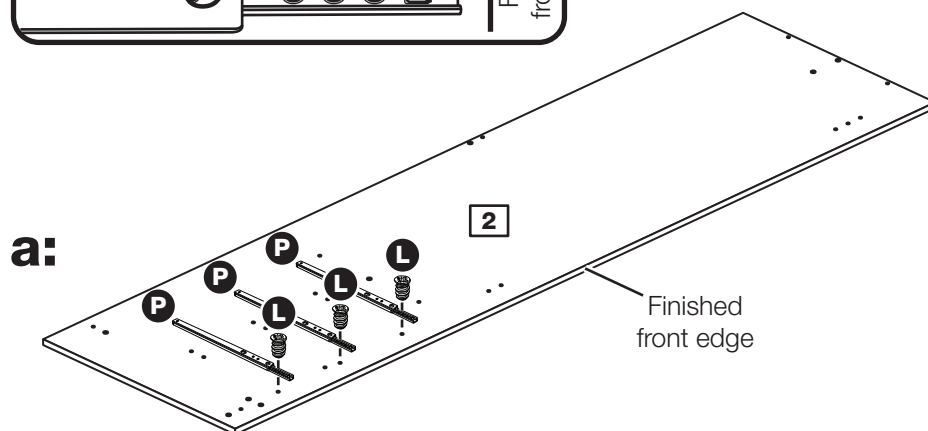
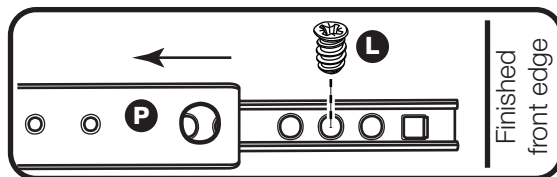
### Prepare the right side

**a:** Place 3 runners **P** on the right side **2** as shown. Slide back the top of runner and use the 2nd hole from the front to fit the 1st screw **L**.

**b:** Slide the runner **P** back the other way and fit the 2nd screw **L** into the corresponding hole in the right side **2**.

**c:** Fit 2 hinge plates **O** onto the right side **2** making sure that the slot is facing towards the finished front edge.

Push a rail holder **F** into the right side **2**. Make sure that it is fitted straight, in line with the panel edges and then secure with screw **K**.





# Assembly Instructions

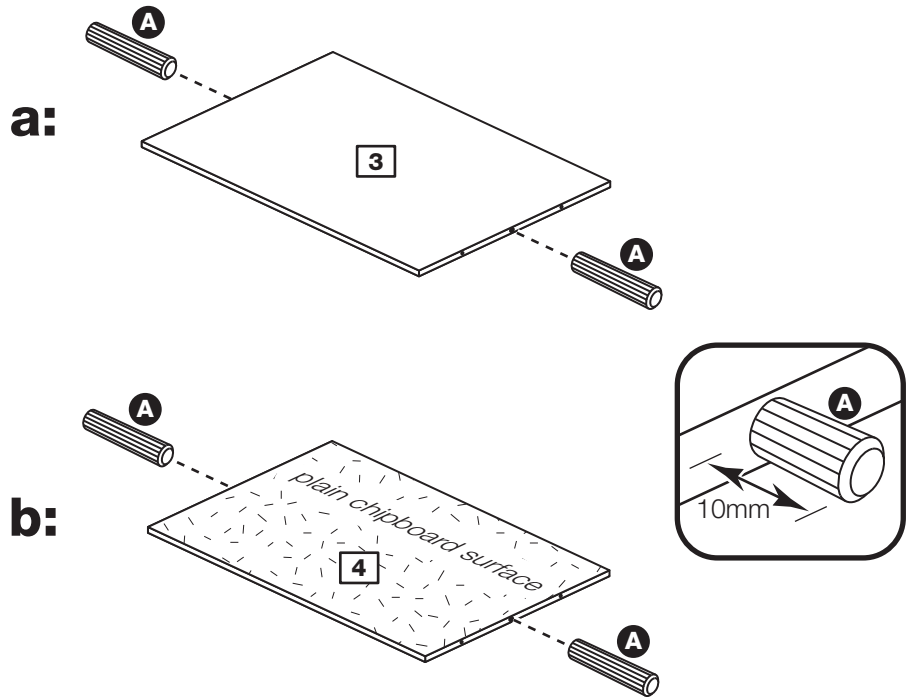
## Step 10

### Prepare top and base

**a:** Tap 2 wooden dowels **A** into the ends of the top **3**.

**b:** Tap 2 wooden dowels **A** into the ends of the base **4**.

**Note:** Wooden dowels **must not** stick out from the edge by more than 10mm or they may damage other panels.

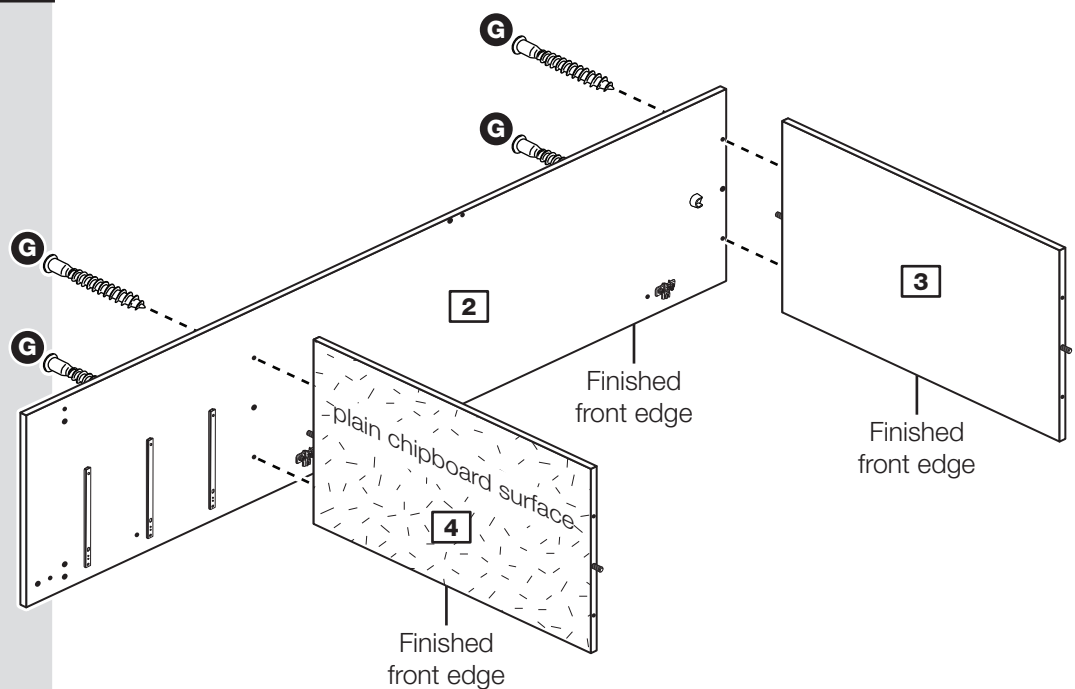


## Step 11

### Fit the top and base to the right side

Push the top **3** onto the right side **2** and secure with 2 screws **G**.

Push the base **4** onto the right side **2** and secure with 2 screws **G**.



# Assembly Instructions

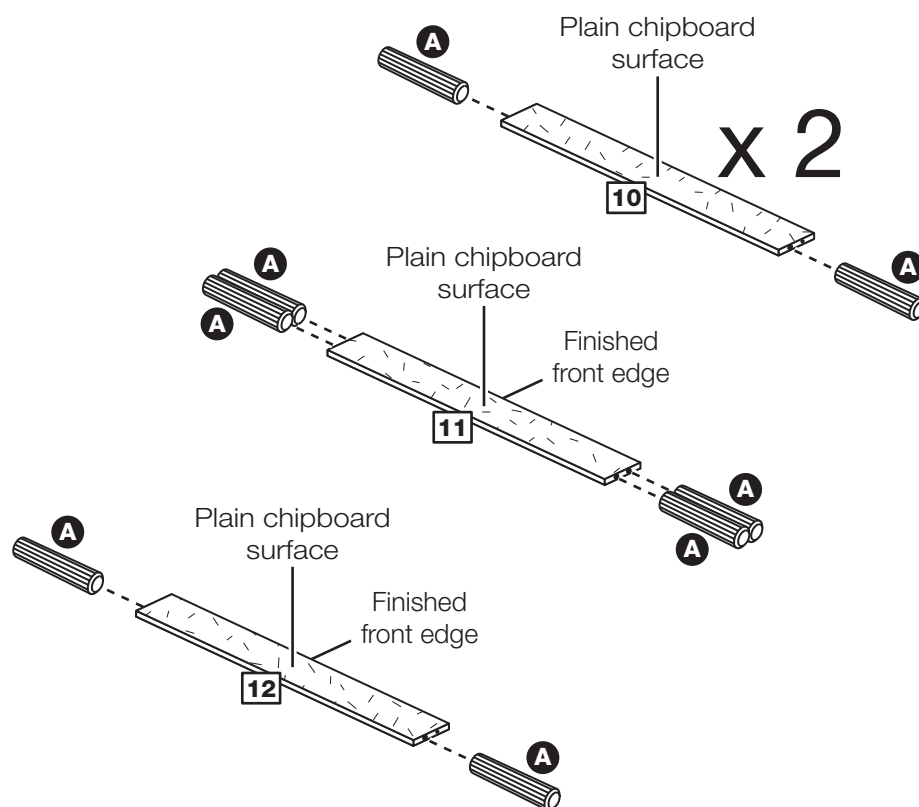
## Step 12

### Prepare the 2 plinths, the rail and the back rail

**a:** Tap 2 wooden dowels **A** into the ends of the 2 plinths **10**.

**b:** Tap 4 wooden dowels **A** into the ends of the rail **11**.

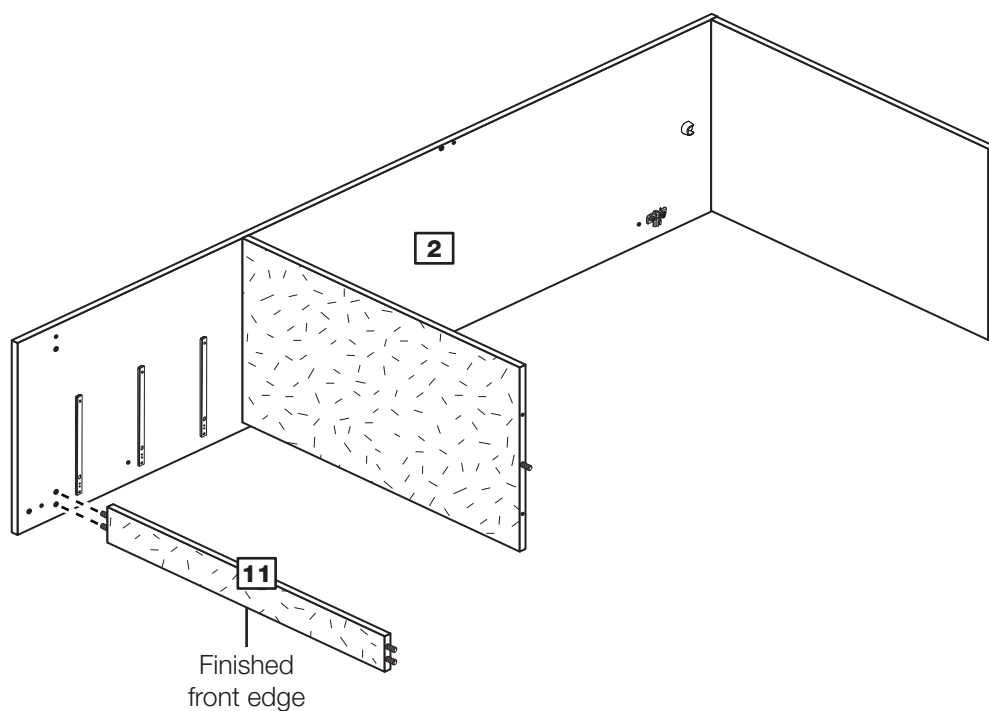
**c:** Tap 2 wooden dowels **A** into the ends of the back rail **12**.



## Step 13

### Fit the rail

Push the rail **11** onto the right side **2**.



# Assembly Instructions

## Step 14

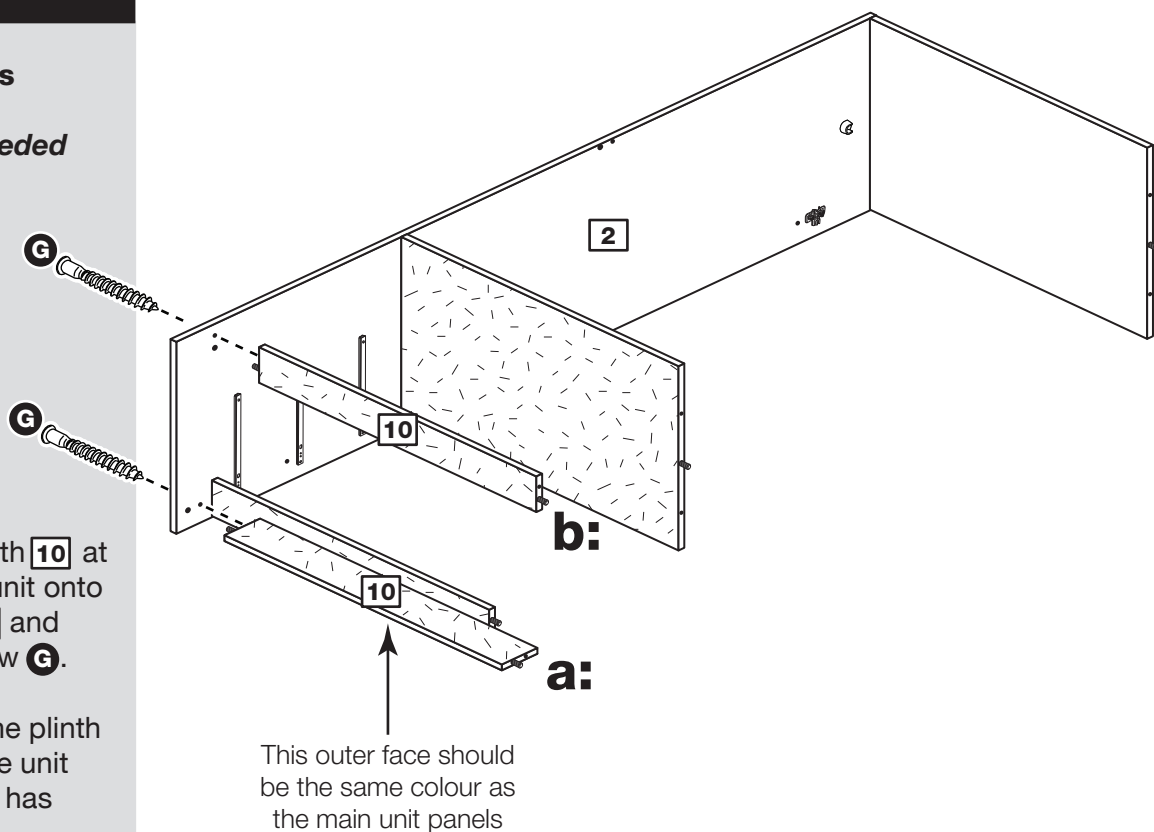
### Fit the 2 plinths

*2 people are needed here*

**a:** Push the plinth **10** at the front of the unit onto the right side **2** and secure with screw **G**.

**b:** Push the plinth **10** at the back of the unit onto the right side **2** and secure with screw **G**.

**Note:** Support the plinth at the back of the unit until the left side has been fitted.

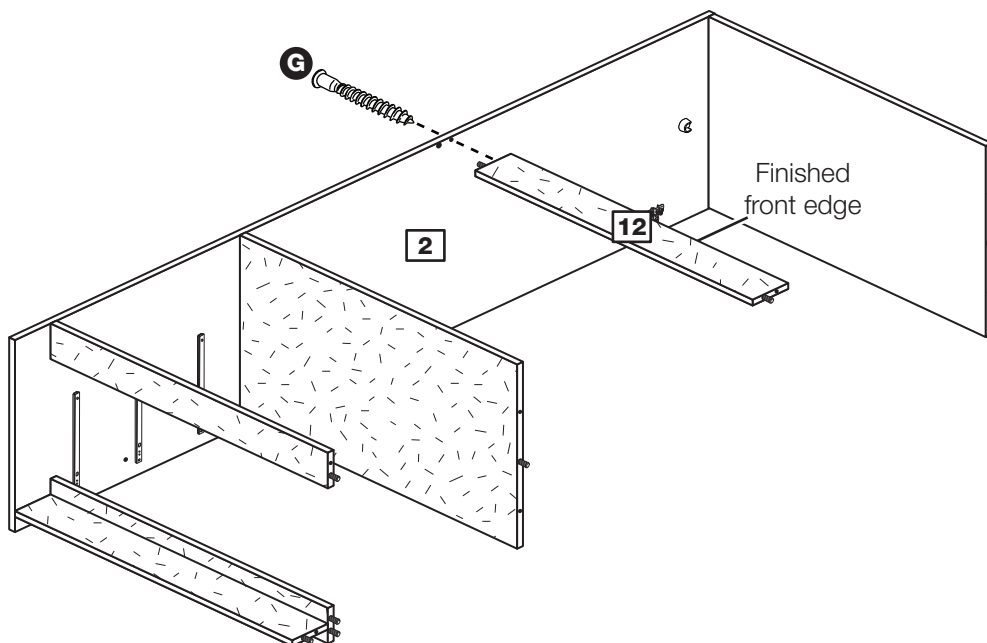


## Step 15

### Fit the back rail

Push the back rail **12** onto the right side **2** and secure with screw **G**.

**Note:** Support the back rail until the left side has been fitted.

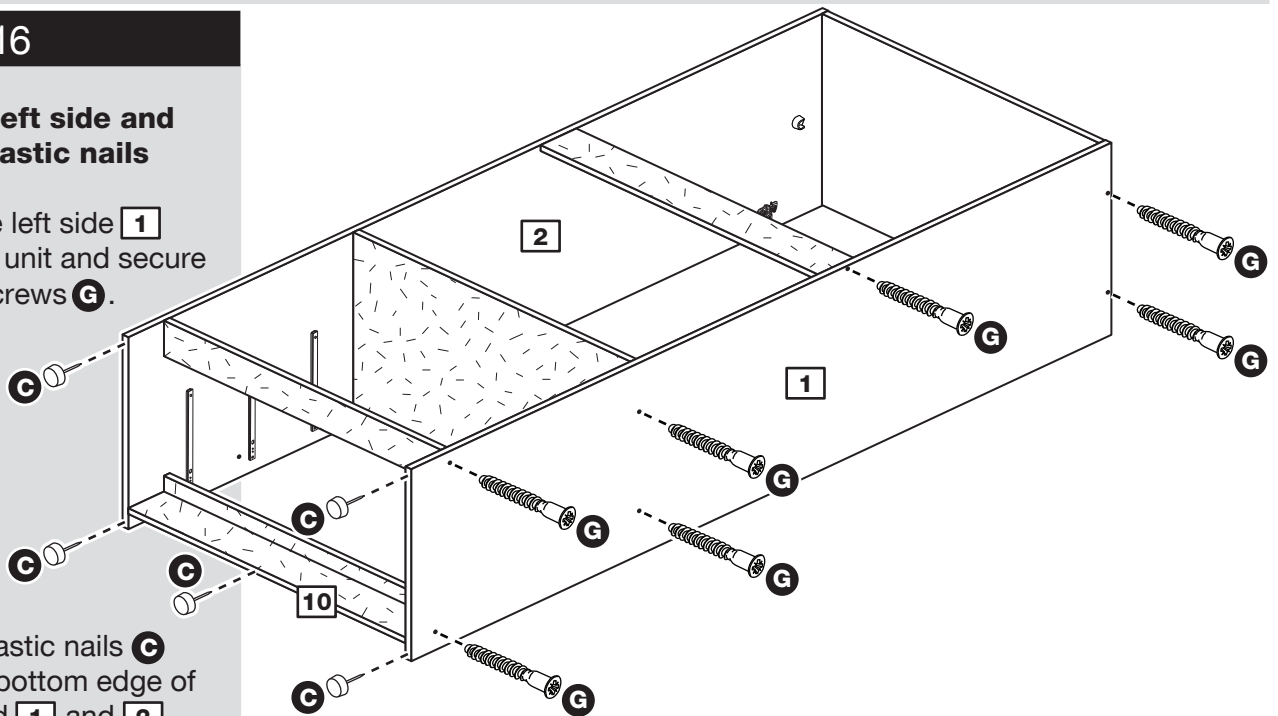


# Assembly Instructions

## Step 16

### Fit the left side and the 4 plastic nails

Push the left side **1** onto the unit and secure with 7 screws **G**.



Tap 2 plastic nails **C** into the bottom edge of each end **1** and **2** and 1 into the plinth **10** as shown.

## Step 17

### Fit the back

**a:** Square up the unit by making sure that measurement **x** to **x** equals **y** to **y**.

**b:** Place the back **15** onto the unit.

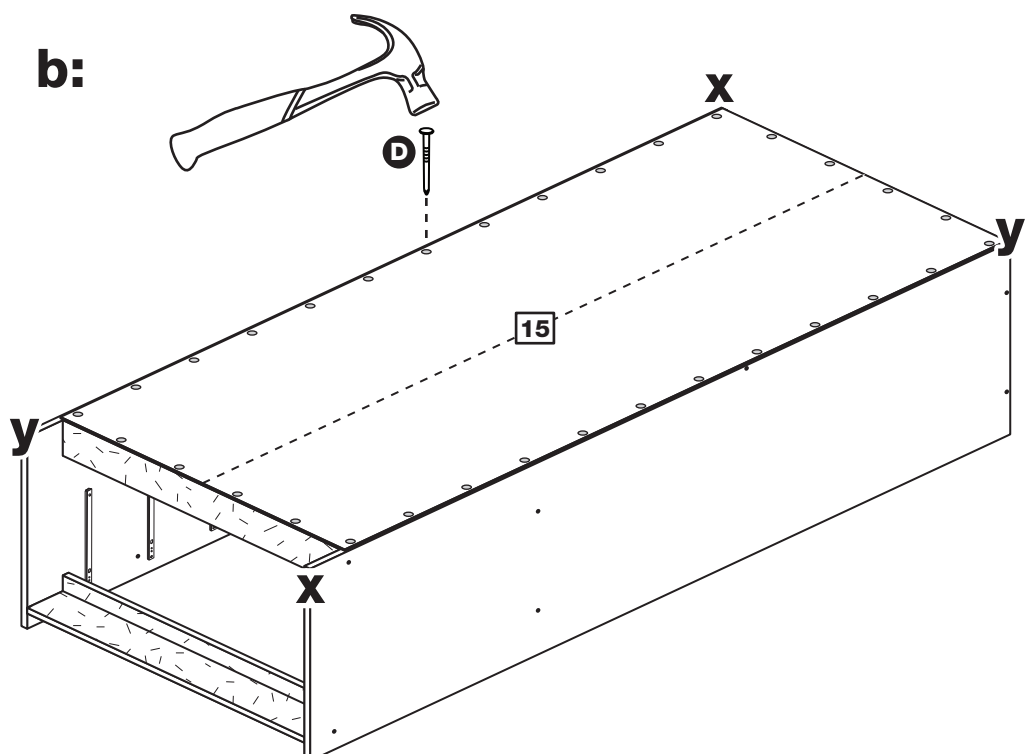
Nail **D** around the outside edges of the back **15**.

**Note:** Nails should be spaced about 150mm apart.

**Stand the unit up for the next step.**

**a:** The measurement from top corner X to bottom corner X must be equal to the measurement from top corner Y to bottom corner Y

**b:**



**Warning:** The robe is heavy. Lift with care.

# Assembly Instructions

## Step 18

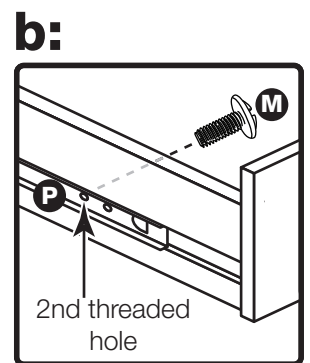
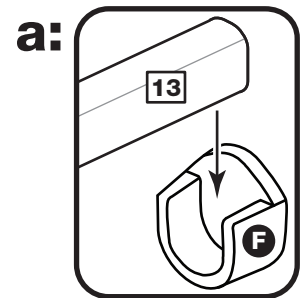
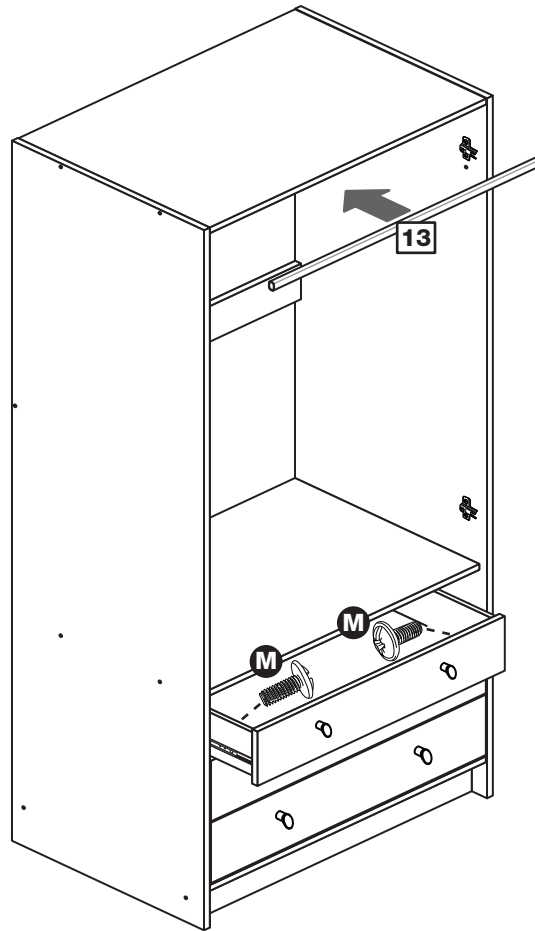
### Fit the hanging rails and drawers

**a:** Push the hanging rail **13** into the rail holders **F**.

**b:** Starting with the bottom drawer, slide both the runners **P** forward and locate the drawer sides **6** and **7** between them, lining up the holes in the drawer wrap with the 2nd 'threaded' holes in the runners **P**.

Working from the inside of the drawer, insert 2 screws **M** through the drawer sides and out into the 2nd threaded hole in the runner.

**Note:** Do not overtighten the screws. If they catch on the runner you may need to loosen them slightly.



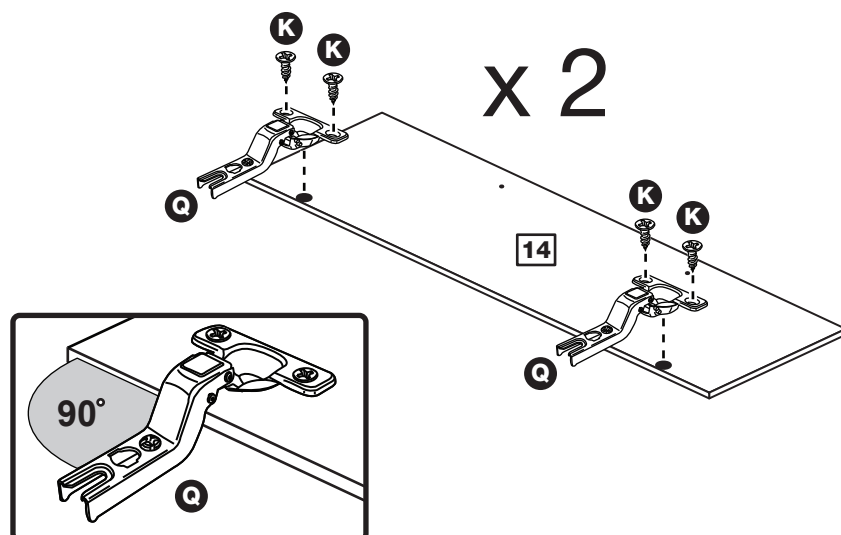
## Step 19

### Prepare the 2 doors

Push fit 2 hinges **Q** into each door **14**.

Secure each hinge with 2 screws **K**.

**Note:** Before securing with the screws, make sure that the hinges are positioned at 90 degrees with the edge of the door.



# Assembly Instructions

## Step 20

### Drill a handle hole in each door

**Important:** Please follow these instructions carefully.

Lay the 2 doors **14** down onto a smooth surface.

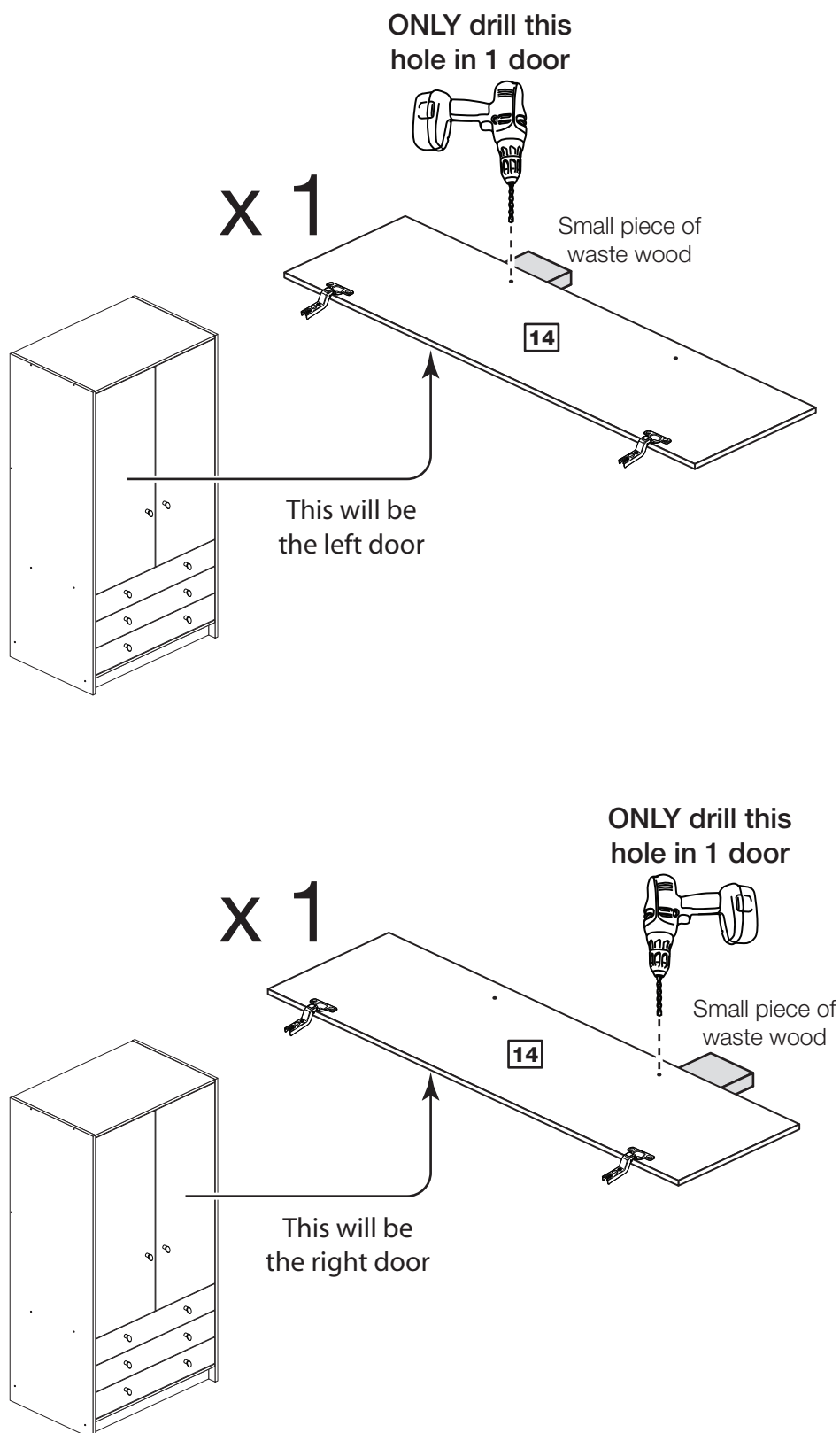
Check that the hinges and holes are in the same place as the diagrams.

**Note:** We recommend the use of a small piece of waste wood, placed behind the hole while drilling, to reduce the possibility of any breakout.

Using the pilot hole in the rear face of the door, drill through the hole indicated opposite, using a 2.5mm diameter drill.

Turn the door over and open out the 2.5mm hole that you have just drilled by drilling back through it with a 5mm drill.

**IMPORTANT**  
Carefully choose which hole you need to drill in each door



# Assembly Instructions

## Step 21

### Fit doors and handles

**Note:** The easiest way to attach each door **14** is to fit the top hinge first, then align and fit the other hinges.

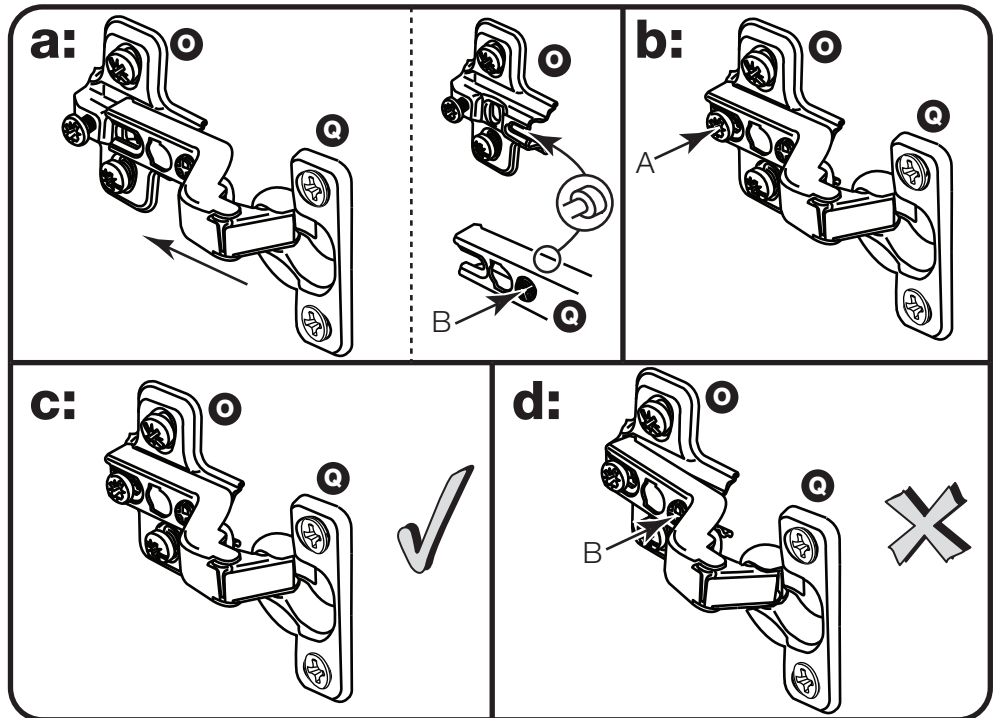
**a:** Push the hinge **Q** onto the front part of the hinge plate **Q**. The recess at the bottom of screw B goes into the slot in the hinge plate.

**b:** Keep the hinge **Q** FLAT against the hinge plate **Q** as you slide it across as far as it will go. Tighten screw A.

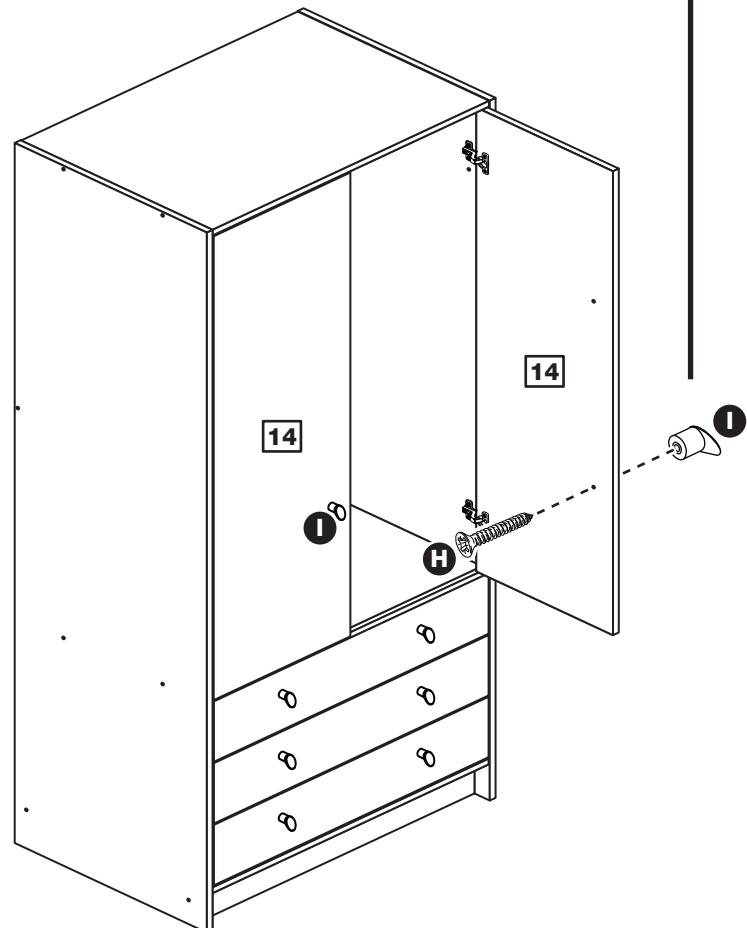
**c:** The hinge **Q** must be flat against the hinge plate **Q** prior to any adjustment.

**d:** The hinge **Q** must NOT be AT AN ANGLE to the hinge plate **Q** when assembled. This would indicate that the recess at the bottom of screw B had not located in the slot in the hinge plate and the hinge would not be secure. Remove the hinge from the hinge plate and then re-assemble being careful to follow instructions a-c.

**e:** Attach a handle **I** to each door **14** using screws **H**.



**Note:** When fitting the doors, make sure that the handle hole you had to drill is nearest to the bottom of each door.



# Assembly Instructions

## Step 22

### Adjust the doors if needed

**a:** Before adjusting the doors, use a spirit level to check the base (or top) of the unit is level, front-to-back and side-to-side in the 3 positions shown. Use suitable packing pieces (not supplied) to make the unit level BEFORE making any adjustment to the hinges, as shown.

### **b:** Height adjustment.

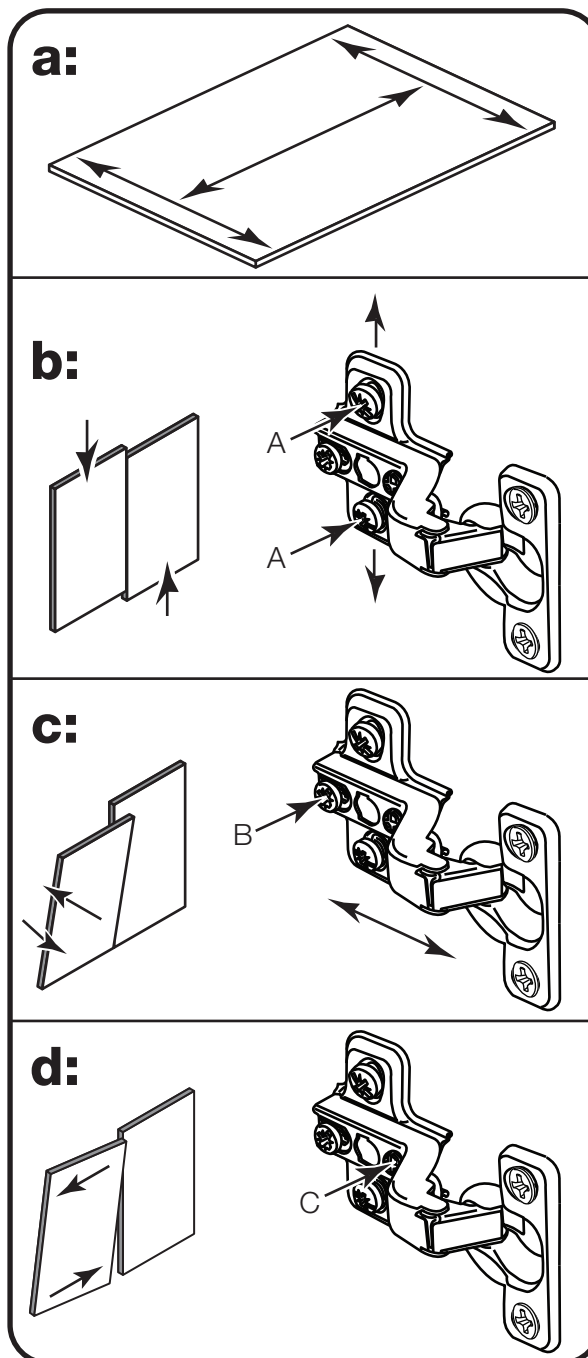
Loosen screws A on hinge plates and move door up or down as required. Retighten screw A.

### **c:** Forward and Back adjustment.

Loosen screw B on hinge plate and move door in or out as required. Retighten screw B.

### **d:** Sideways adjustment.

To move door 'out' loosen screw C. To move door 'in' tighten screw C.





# Assembly Instructions

## Step 23

### Fit the overbalance protector kit

To prevent possible overbalancing we recommend that this unit is secured to a suitable wall by fitting of the overbalance protector kit **R** to the unit, or an alternative fixing method of your choice.

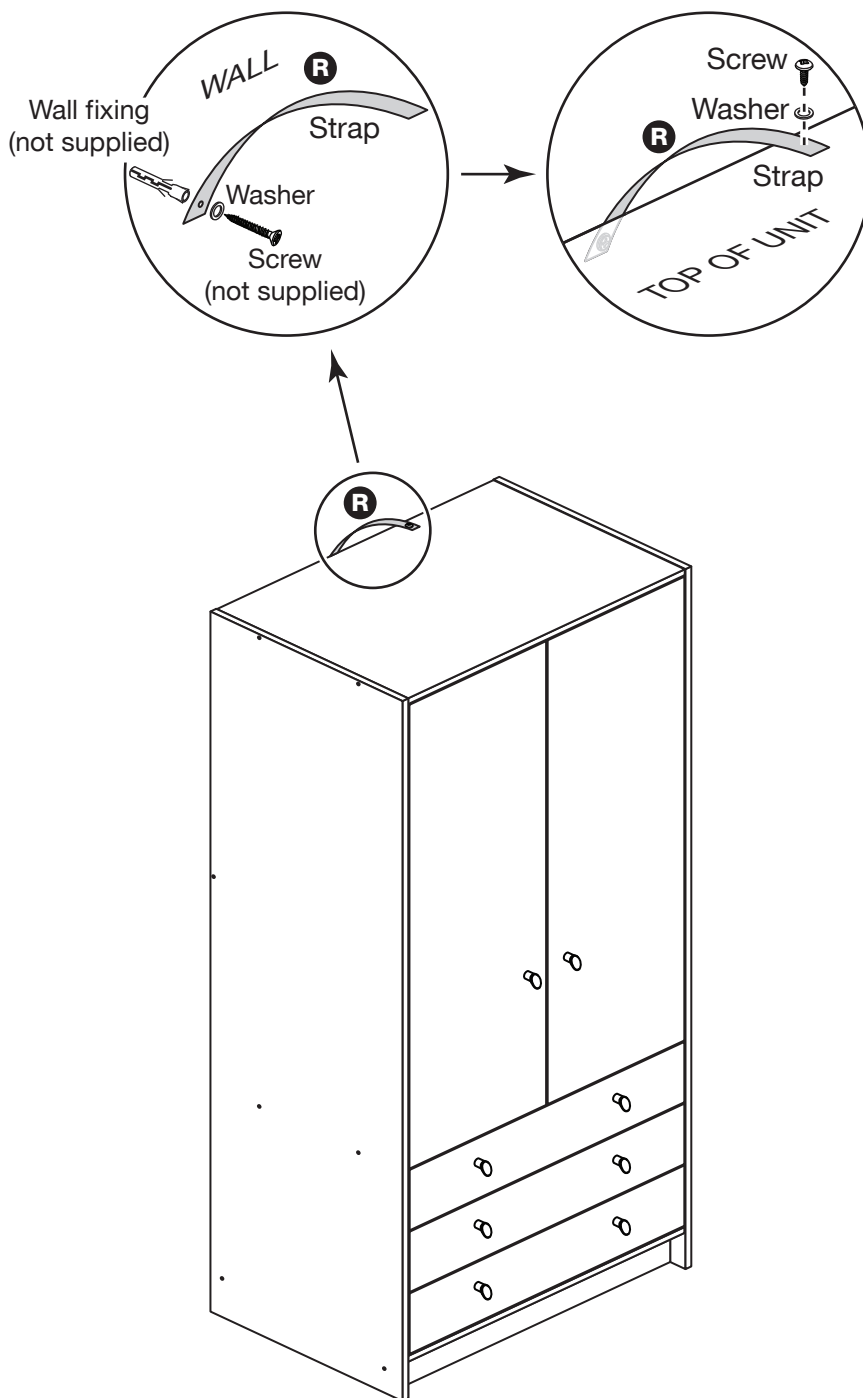
Wall fixings are not supplied as they will need to suit the wall type.

**Note:** Take care when drilling the wall that you do not drill into any pipes, wires etc. If in doubt, consult an expert.

### Assembly is complete



**Warning:** The unit is heavy. Lift with care.



If you need help or have damaged or missing parts, call the Customer Helpline: 03456 400800 and quote the reference numbers on the component pages.

Argos Ltd, 489-499 Avebury Boulevard, Central Milton Keynes, MK9 2NW





