

Malibu - 3 Drawer 2+2 Door Robe

Assembly Instructions - Please keep for future reference

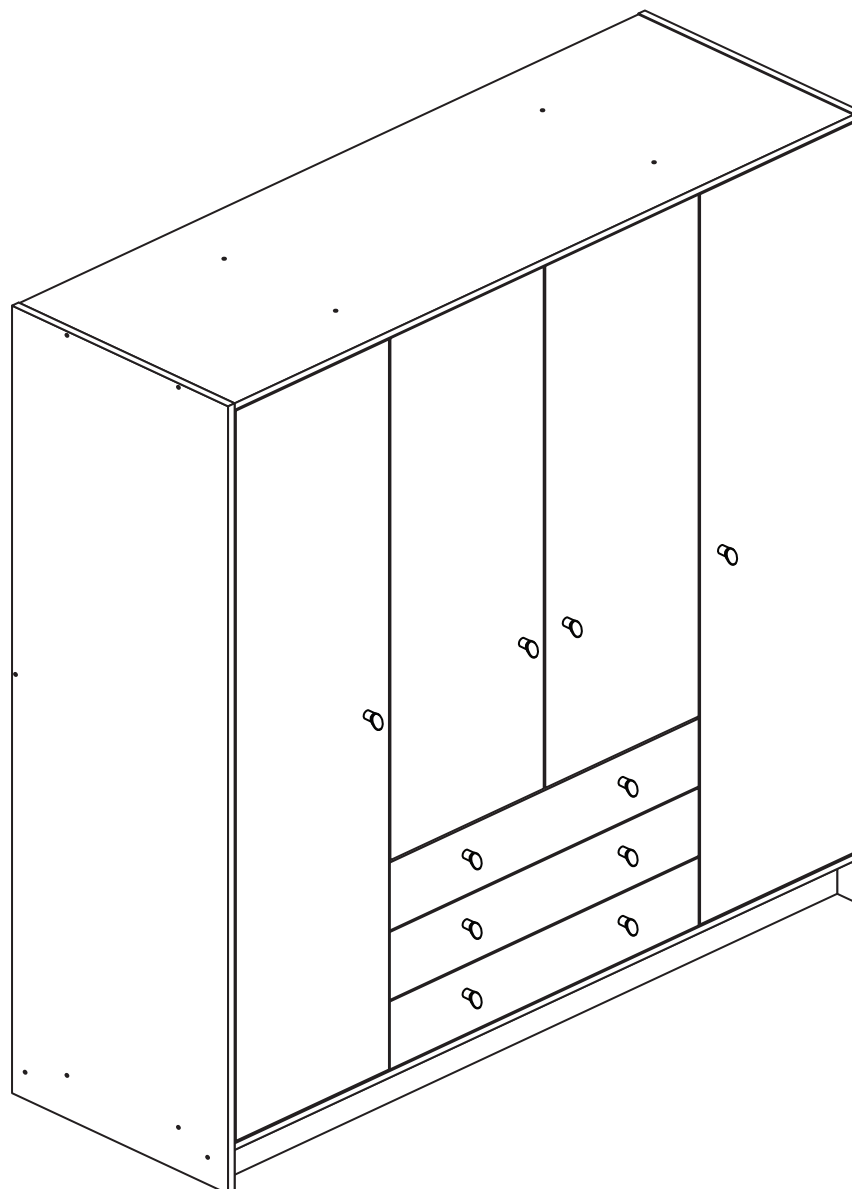
258/6890

268/4534

257/7517

268/2811

244/7142



Dimensions

Width - 145.5cm

Depth - 50cm

Height - 181cm



**MADE IN
BRITAIN**

Important - Please read these instructions fully before starting assembly

If you need help or have damaged or missing parts, call the **Customer Helpline: 08456 400800**



Safety and Care Advice

Important - Please read these instructions fully before starting assembly

• **Warning:** This unit weighs approximately 101kgs. Please lift with care.

• Check you have all the components and tools listed on pages 1, 2 and 3.

• Remove all fittings from the plastic bags and separate them into their groups.

• Keep children and animals away from the work area, small parts could choke if swallowed.

• Parts of the assembly will be easier with 2 people.

• Make sure you have enough space to layout the parts before starting.

• Do not stand or put weight on the product, this could cause damage.

• Assemble the item as close to its final position (in the same room) as possible.

• Assemble on a soft level surface to avoid damaging the unit or your floor (use opened out unit carton).



• We do not recommend the use of power drill/drivers **for inserting screws**, as this could damage the unit. Only use hand screwdrivers.

• **Safety note:** It is recommended that this unit is secured to a wall using the bracket supplied.

• Dispose of all packaging carefully and responsibly.

Care and maintenance

• Only clean using a damp cloth and mild detergent, do not use bleach or abrasive cleaners.

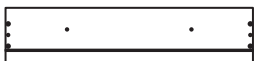
• From time to time check that there are no loose screws on this unit.

• This product should not be discarded with household waste. Take to your local authority waste disposal centre.

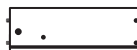
Components - Panels

If you have damaged or missing components, call the **Customer Helpline: 08456 400800** quoting the reference numbers below

Please check you have all the panels listed below



1 Drawer Front (D2783A)
(710 x 156mm) x 3



2 Left Drawer Side (W370-124LH)
(370 x 124mm) x 3



3 Right Drawer Side (W370-124RH)
(370 x 124mm) x 3



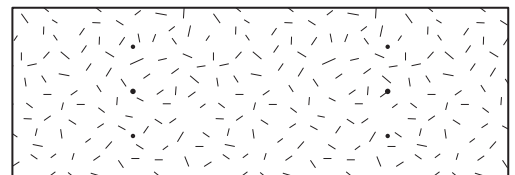
4 Drawer Back (W682-124BCK)
(682 x 124mm) x 3



5 Drawer Base (T693-367)
(693 x 367mm) x 3



6 Top (D2851A)
(1423 x 494mm)



7 Base (D2856A)
(1423 x 494mm)

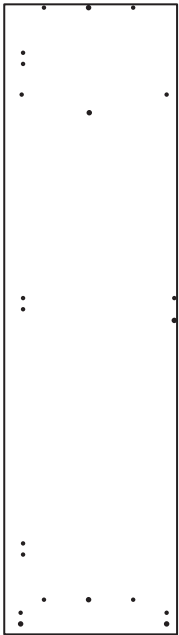
Ruler - Use this ruler to help correctly identify the screws



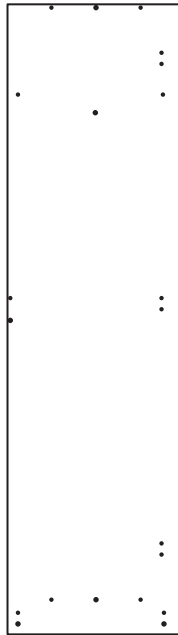
Components - Panels

If you have damaged or missing components, call the **Customer Helpline: 08456 400800** quoting the reference numbers below

Please check you have all the panels listed below



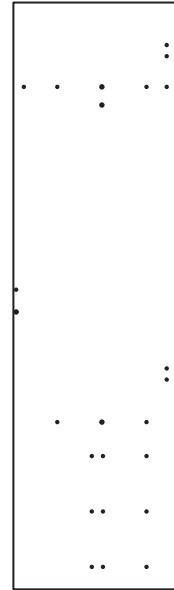
8 Left End (D2852A)
(1808 x 496mm)



9 Right End (D2853A)
(1808 x 496mm)



10 Left Divider (D2854A)
(1684 x 477mm)



11 Right Divider (D2855A)
(1684 x 477mm)



12 Plinth (D2859A)
(1423 x 92mm) x 2



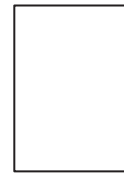
13 Long Hanging Rail (FHR704)
(704mm long)



15 Rail (D2860A)
(338.5 x 125mm)
x 2



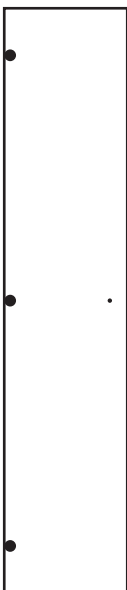
16 Horizontal (D2861A)
(716 x 476mm) x 2



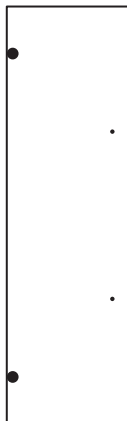
17 Loose Shelf (D2858A)
(337 x 476mm) x 2



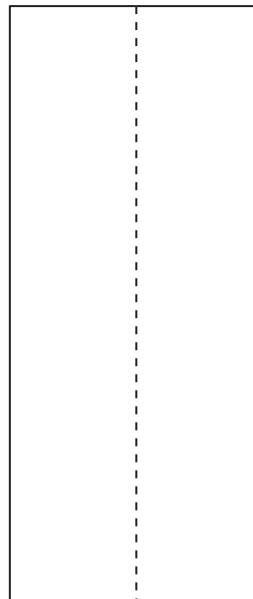
14 Short Hanging Rail (FHR330)
(330mm long) x 2



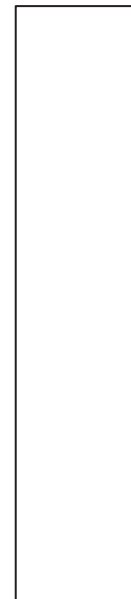
18 Large Door (D2845A)
(1678 x 353mm) x 2



19 Short Door (D2857A)
(1198 x 353mm) x 2



20 Large Back (X1710-726)
(1710 x 726mm)



21 Small Back (X1710-358)
(1710 x 358mm) x 2


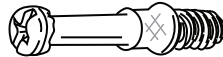





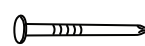

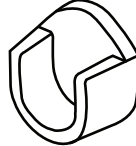
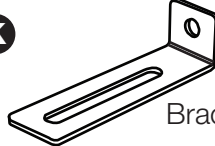
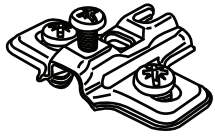
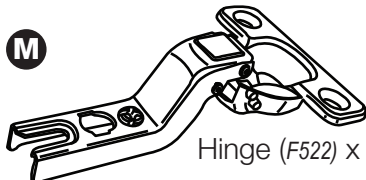


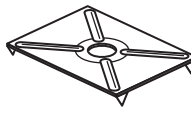








Components - Fittings

If you have damaged or missing components, call the **Customer Helpline: 08456 400800** quoting the reference numbers below

Please check you have all the fittings listed below

Note: The quantities below are the correct amount to complete the assembly. In some cases more fittings may be supplied than are required.

<p>A </p> <p>Wooden dowel (F22) x 20</p>	<p>B </p> <p>Metal dowel (F901) x 6</p>	<p>C </p> <p>Small locking nut (F3) x 6</p>
<p>D </p> <p>40mm Screw (F910) x 32</p>	<p>E </p> <p>25mm Screw (F50) x 10</p>	<p>F </p> <p>13mm Screw (F79) x 1</p>
<p>G </p> <p>13mm Screw (F63) x 26</p>	<p>H </p> <p>Nail (F51) x 44</p>	<p>I </p> <p>Shelf stud (F110) x 8</p>
<p>J </p> <p>Rail holder (F1014) x 6</p>	<p>K </p> <p>Bracket (F327 x 1)</p>	<p>L </p> <p>Hinge plate (F523) x 10</p>
<p>M </p> <p>Hinge (F522) x 10</p>	<p>N </p> <p>Drawer runner (F1004) x 6</p>	
<p>O </p> <p>Handle (F631) x 10</p>	<p>P  *These can also be round</p> <p>Back holder (F276) x 12</p>	<p>Q </p> <p>Nail screw (F277) x 12</p>
<p>R </p> <p>9mm Screw (F74) x 6</p>	<p>S </p> <p>9mm Screw (F73) x 12</p>	<p>T </p> <p>Wedgefix (F639) x 12</p>
<p>U </p> <p>Plastic Nail (F91) x 6</p>	<p>V </p> <p>Knock-in Peg (F1716Y) x 12</p>	

Tools required

Rule
Square
Scissors
Spirit level

Hammer
Bradawl
Electric drill
Step ladder

Cross-head screwdriver
Eye protection (when using a hammer or drill)

Assembly Instructions

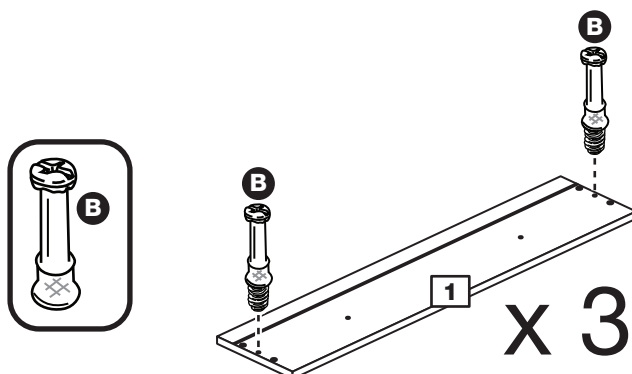
If you have damaged or missing components, call the
Customer Helpline: 08456 400800 quoting the reference
numbers below

Step 1

Prepare the 3 drawer fronts

Screw 2 metal dowels **B** into each of the drawer fronts **1**.

Note: Tighten the metal dowels up fully against the panels.

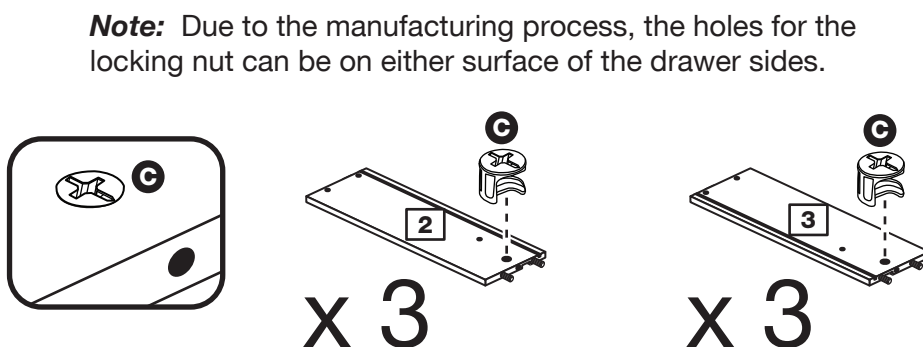


Step 2

Prepare the drawer sides

Insert a small locking nut **C** into the hole shown on the left drawer side **2** and the right drawer side **3**.

Note: The arrow on the locking nut **must** point towards the hole in the edge of the panel.



Step 3

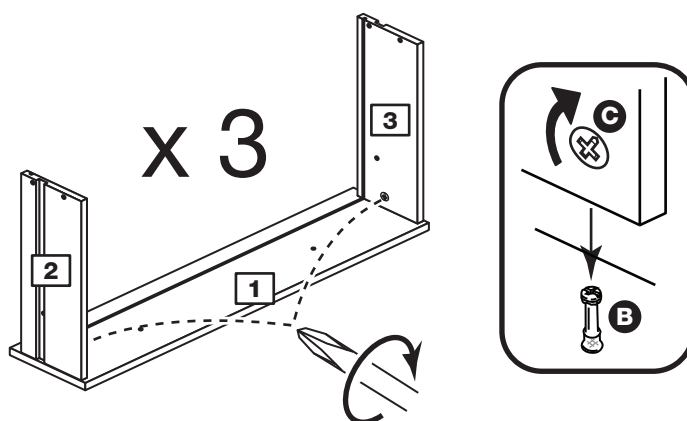
Attach the drawer sides to the drawer fronts

Push the left drawer sides **2** and right drawer sides **3** onto the back of the drawer fronts **1**.

Turn the small locking nuts **C** on the left drawer side **2** and right drawer side **3**.

Note: Turn the locking nuts **C** clockwise to secure panels - more than 1/2 a turn.

Note: The locking nuts can be on either surface of the drawer sides. Make sure that the small groove is on the inside, as shown.

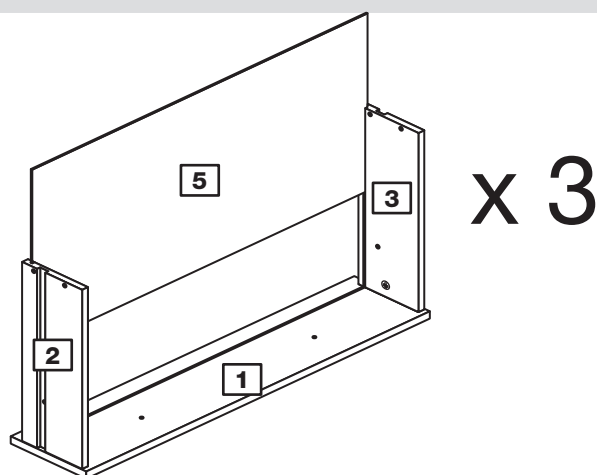


Assembly Instructions

Step 4

Fit the drawer base

Slide the drawer base **5** down the grooves in the drawer sides **2** and **3** and down into the groove in the drawer front **1**.

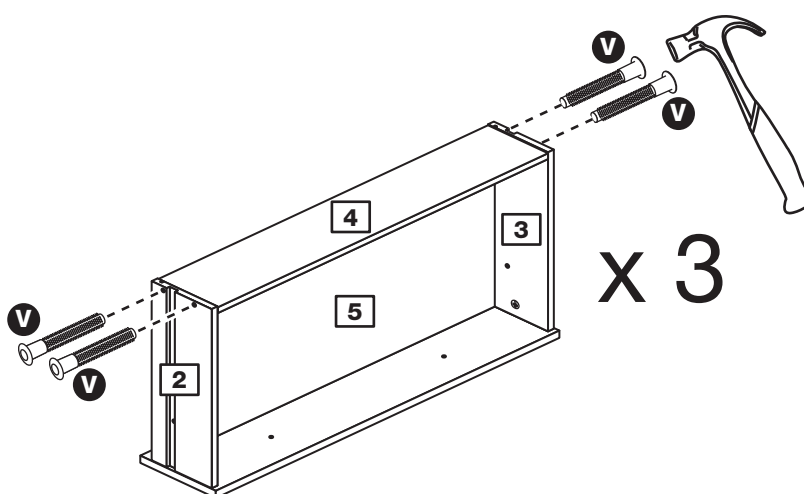


Step 5

Fit the drawer back

Fit the drawer back **4** between the drawer sides **2** and **3**. Make sure that the drawer base **5** fits into the groove in the drawer back **4**.

Hold the drawer back **4** in position and tap the knock-in pegs **V** through the holes in the drawer sides **2** and **3**.

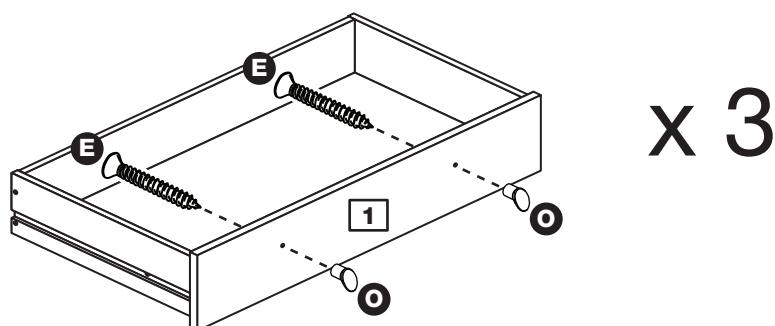


Step 6

Attach the handles

Attach a handle **O** to each of the drawer fronts **1** using screw **E**.

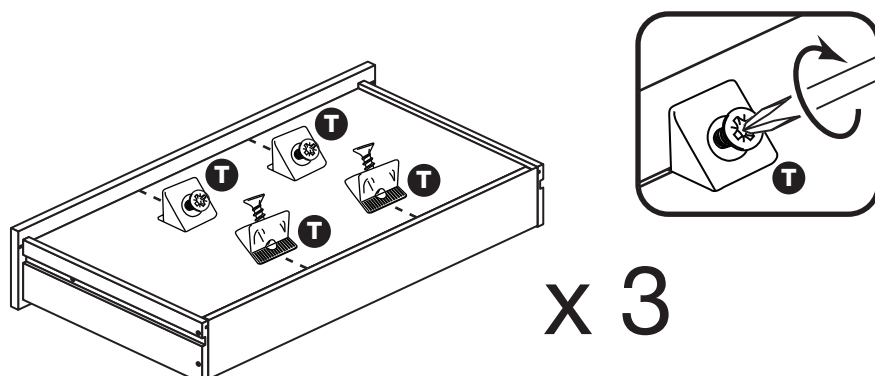
Note: Do not overtighten the screw.



Step 7

Fit the wedgifixes

Turn the drawer assemblies over and slide 4 wedgifixes **T** into the front and back grooves, as shown, and tighten up the screws.



Assembly Instructions

Step 8

Prepare the left divider

a: Place 3 runners **N** on the left divider **10** as shown. Slide back the top of runner and use the 2nd hole from the front to fit the 1st screw **S**.

b: Slide the runner **N** back the other way and fit the 2nd screw **S** into the corresponding hole in the left divider **10**.

c: Fit 2 hinge plates **L** onto the left divider **10** making sure that the slot is facing towards the finished front edge.

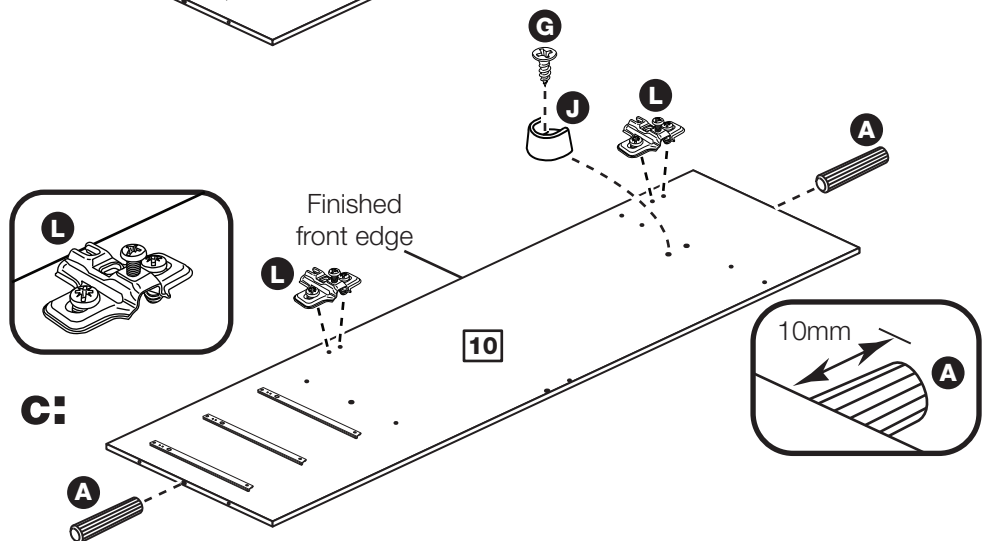
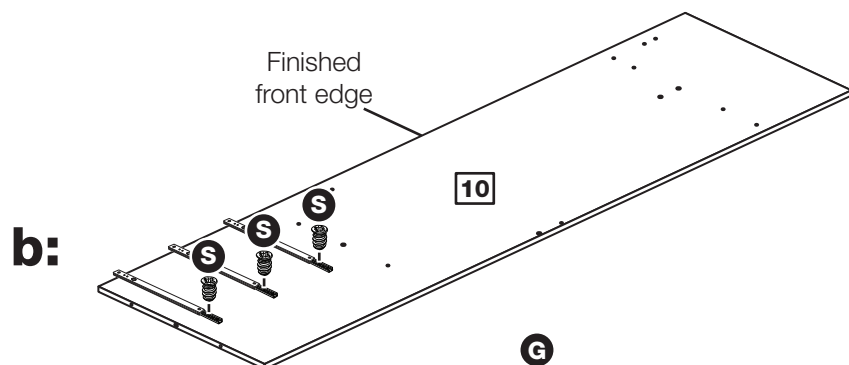
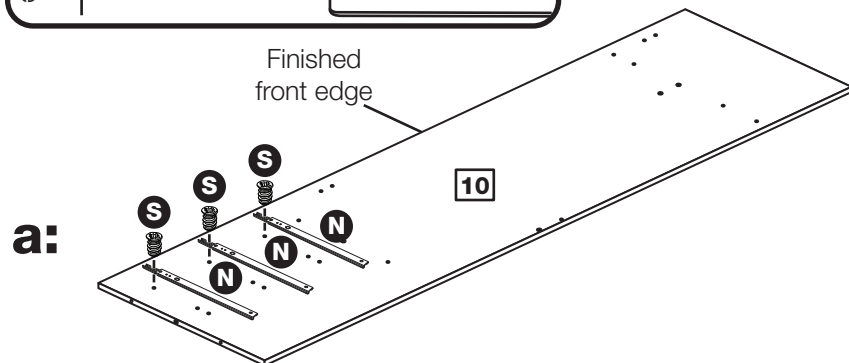
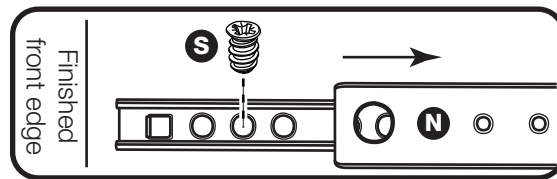
Push a rail holder **J** into the left divider **10**. Make sure that it is fitted straight, in line with the panel edges and then secure with screw **G**.

Tap 2 wooden dowels **A** into the left divider **10**.

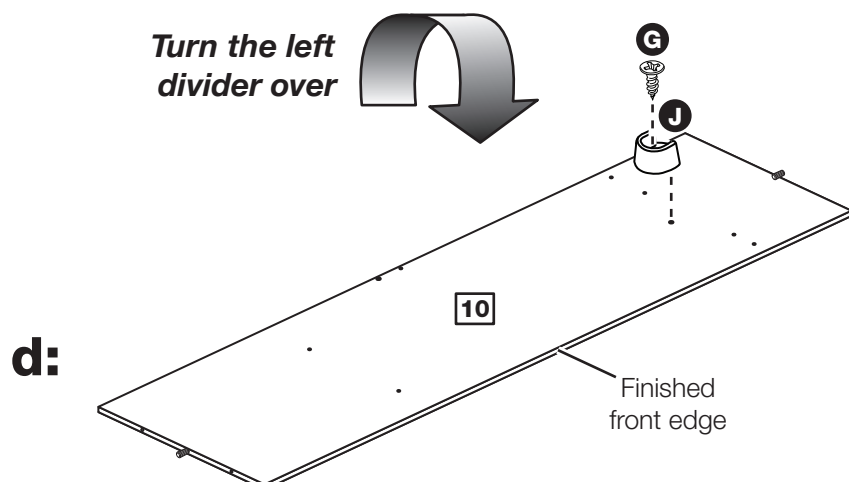
Note: Wooden dowels **must not** stick out from the edge by more than 10mm or they may damage other panels.

Turn the left divider over

d: Push a rail holder **J** into the left divider **10**. Make sure that it is fitted straight, in line with the panel edges and then secure with screw **G**.



Turn the left divider over



Assembly Instructions

Step 9

Prepare the right divider

a: Place 3 runners **N** on the right divider **11** as shown. Slide back the top of runner and use the 2nd hole from the front to fit the 1st screw **S**.

b: Slide the runner **N** back the other way and fit the 2nd screw **S** into the corresponding hole in the right divider **11**.

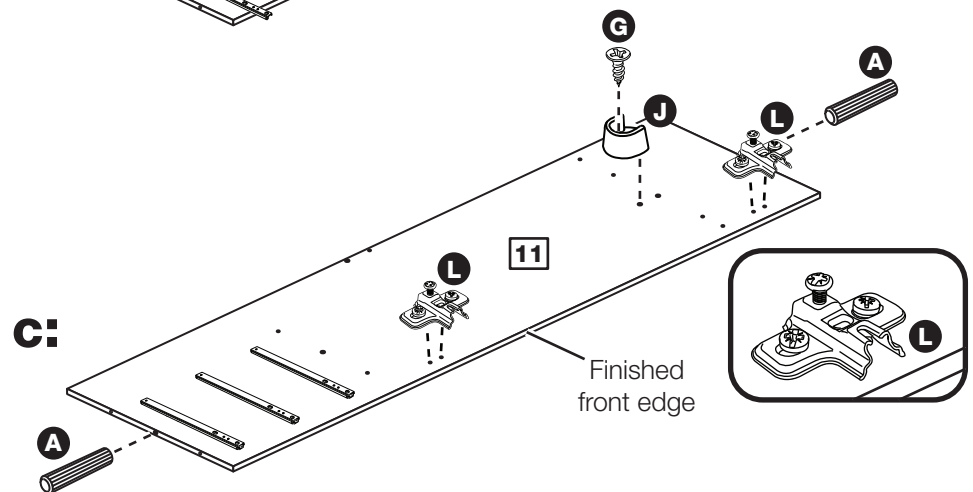
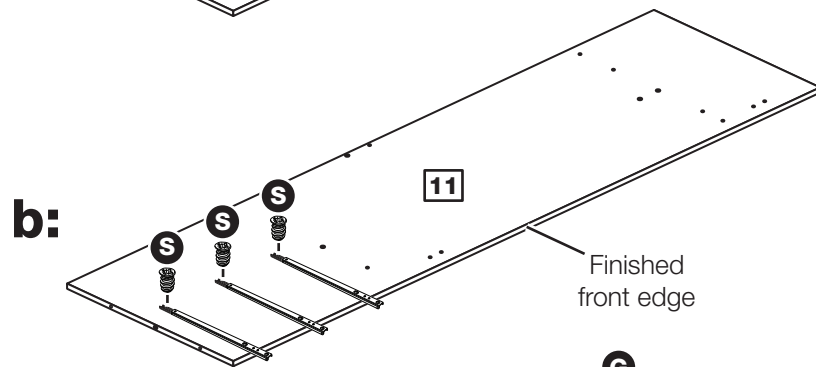
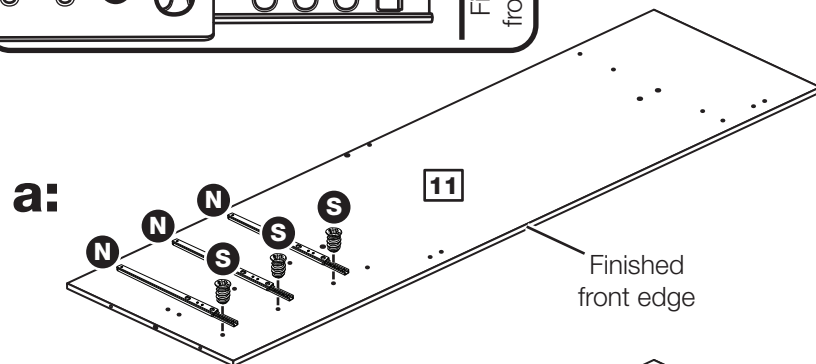
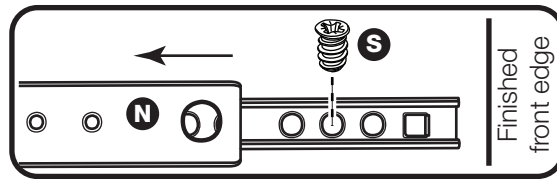
c: Fit 2 hinge plates **L** onto the right divider **11** making sure that the slot is facing towards the finished front edge.

Push a rail holder **J** into the right divider **11**. Make sure that it is fitted straight, in line with the panel edges and then secure with screw **G**.

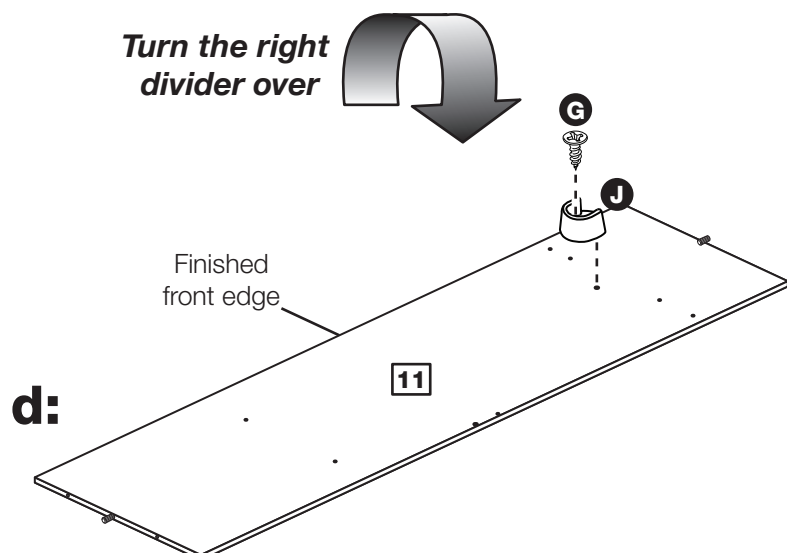
Tap 2 wooden dowels **A** into the right divider **11**.

Turn the right divider over

d: Push a rail holder **J** into the right divider **11**. Make sure that it is fitted straight, in line with the panel edges and then secure with screw **G**.



Turn the right divider over

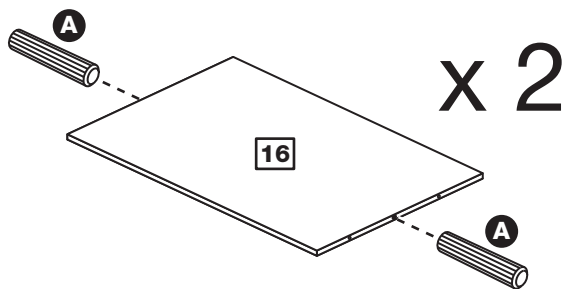


Assembly Instructions

Step 10

Prepare the 2 horizontals

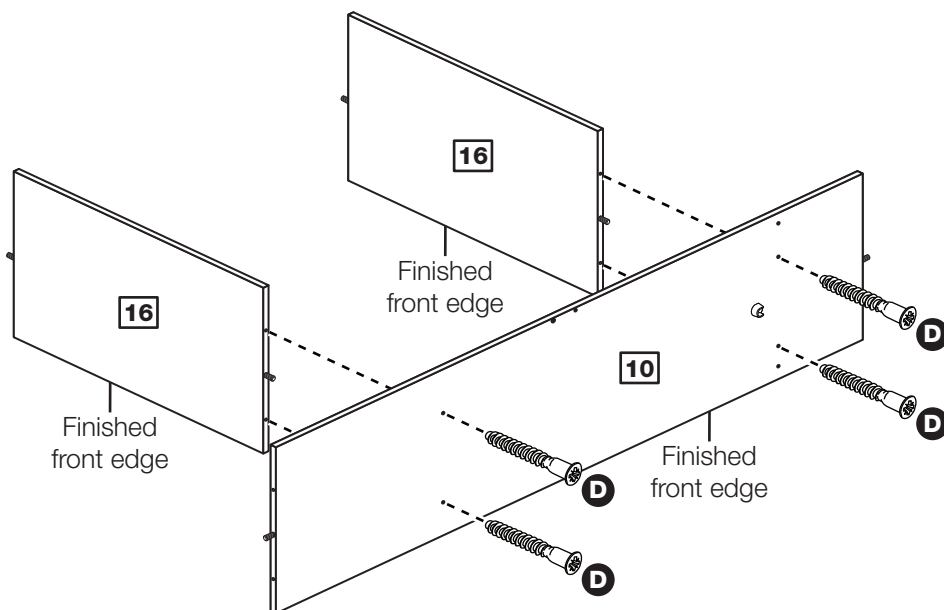
Tap 2 wooden dowels **A** into each horizontal **16**.



Step 11

Fit the horizontals to the left divider

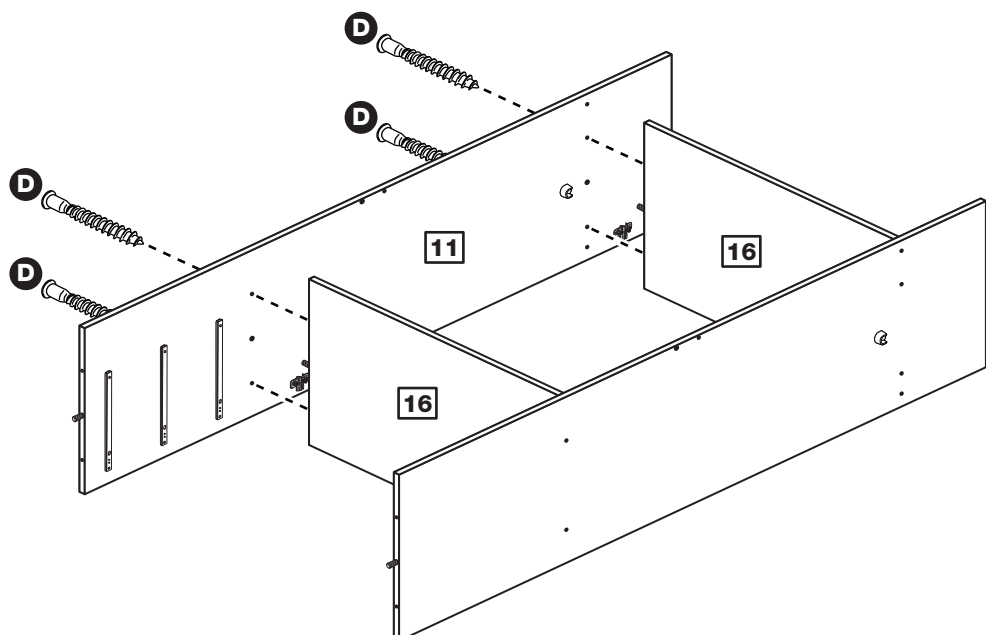
Push the 2 horizontals **16** onto the left divider **10** and secure with 4 screws **D**.



Step 12

Fit the right divider

Push the right divider **11** onto the 2 horizontals **16** and secure with 4 screws **D**.



Assembly Instructions

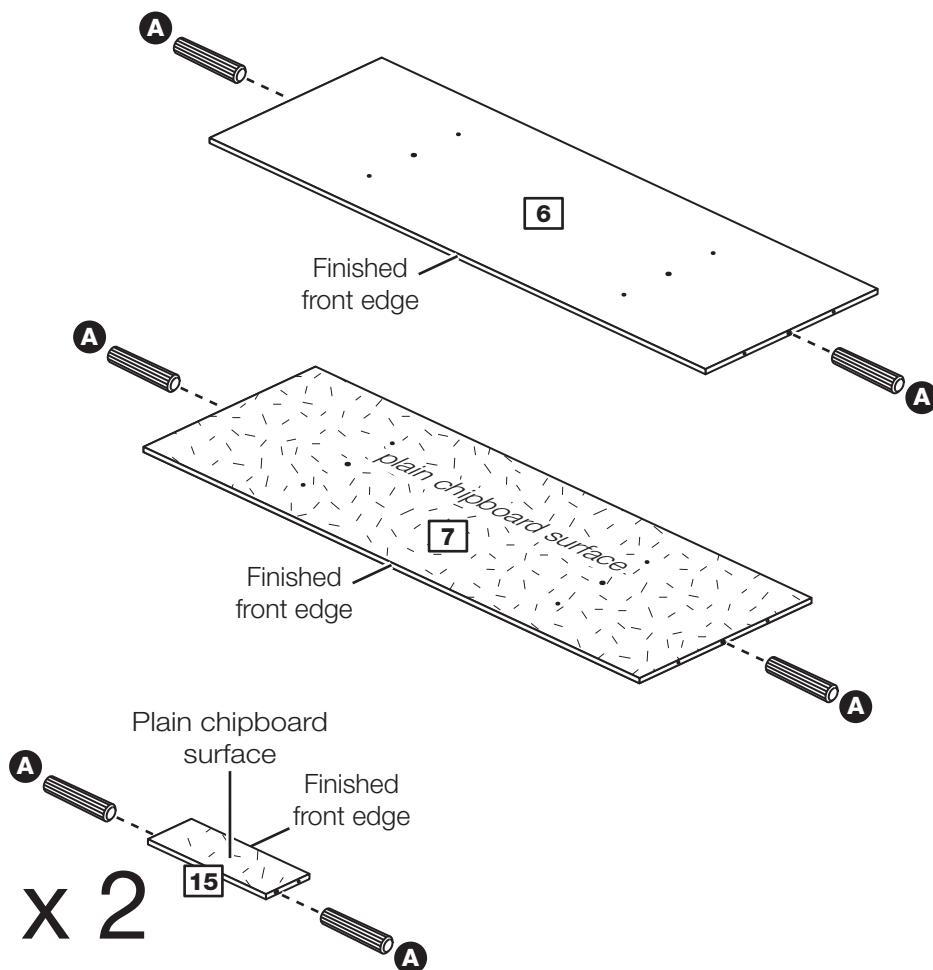
Step 13

Prepare the top, base and 2 rails

Tap 2 wooden dowels **A** into the top **6**.

Tap 2 wooden dowels **A** into the base **7**.

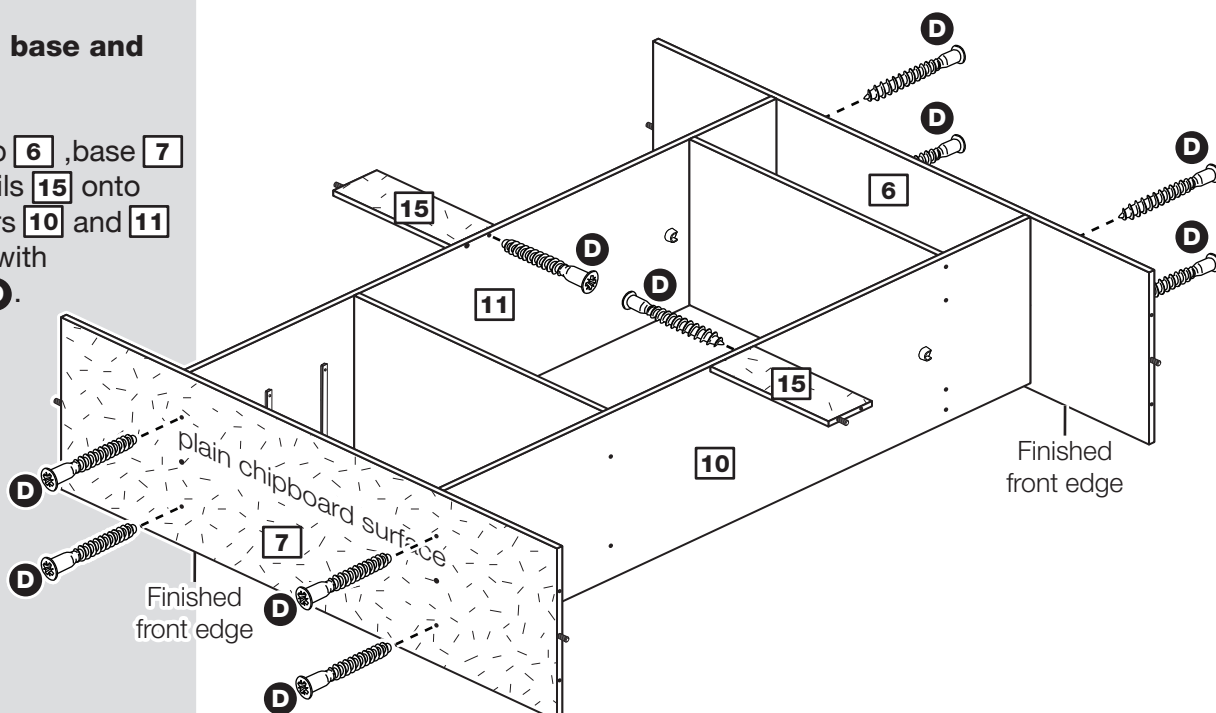
Tap 2 wooden dowels **A** into each rail **15**.



Step 14

Fit the top, base and rails

Push the top **6**, base **7** and the 2 rails **15** onto the 2 dividers **10** and **11** and secure with 10 screws **D**.



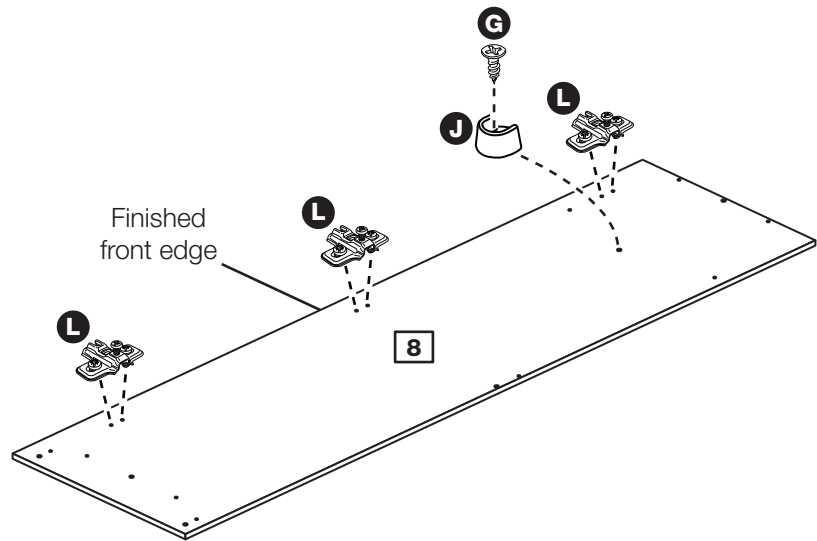
Assembly Instructions

Step 15

Prepare the left end

Push a rail holder **J** into the left end **8**. Make sure that it is fitted straight, in line with the panel edges and then secure with screw **G**.

Fit 3 hinge plates **L** onto the left end **8**, making sure that the slot is facing towards the finished front edge.

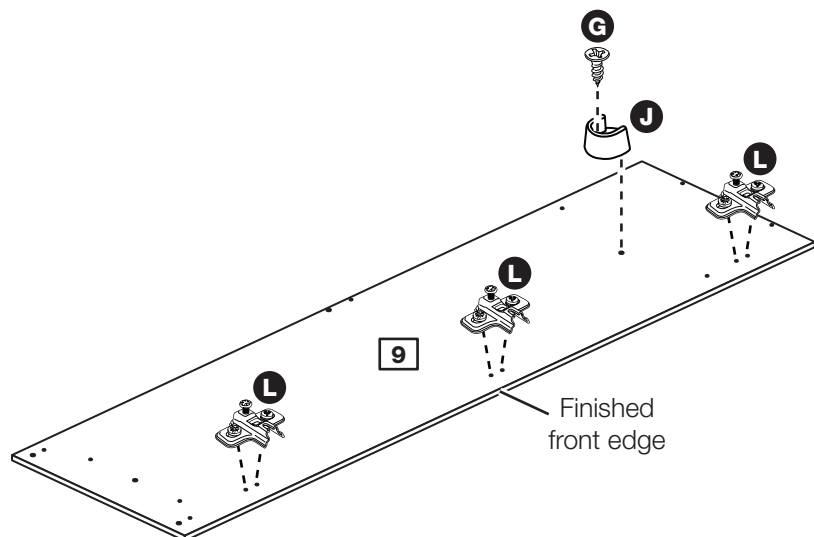


Step 16

Prepare the right end

Push a rail holder **J** into the right end **9**. Make sure that it is fitted straight, in line with the panel edges and then secure with screw **G**.

Fit 3 hinge plates **L** onto the right end **9**, making sure that the slot is facing towards the finished front edge.

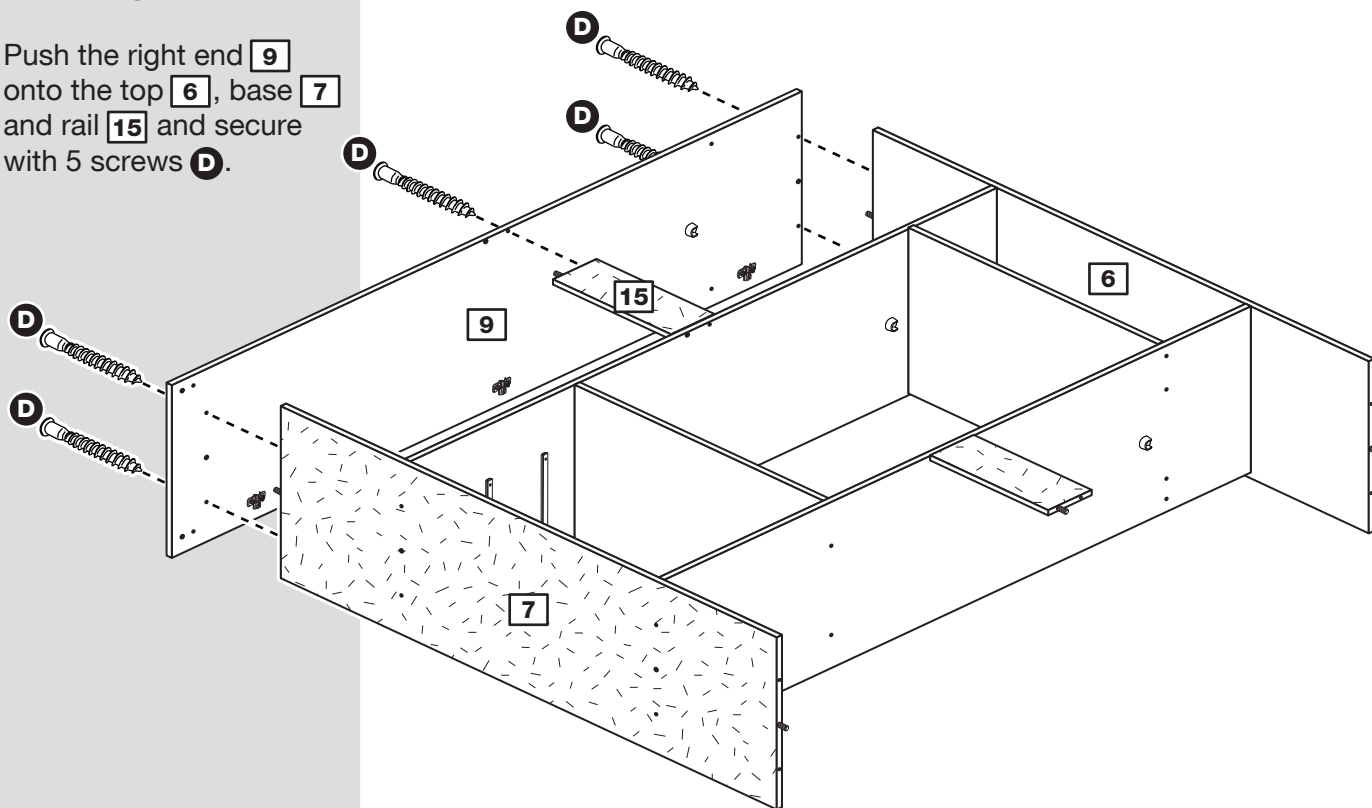


Assembly Instructions

Step 17

Fit the right end

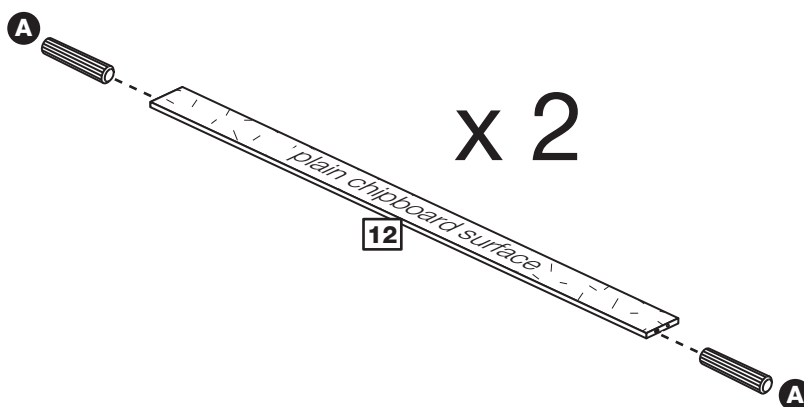
Push the right end **9** onto the top **6**, base **7** and rail **15** and secure with 5 screws **D**.



Step 18

Prepare the 2 plinths

Tap 2 wooden dowels **A** into each of the 2 plinths **12**.



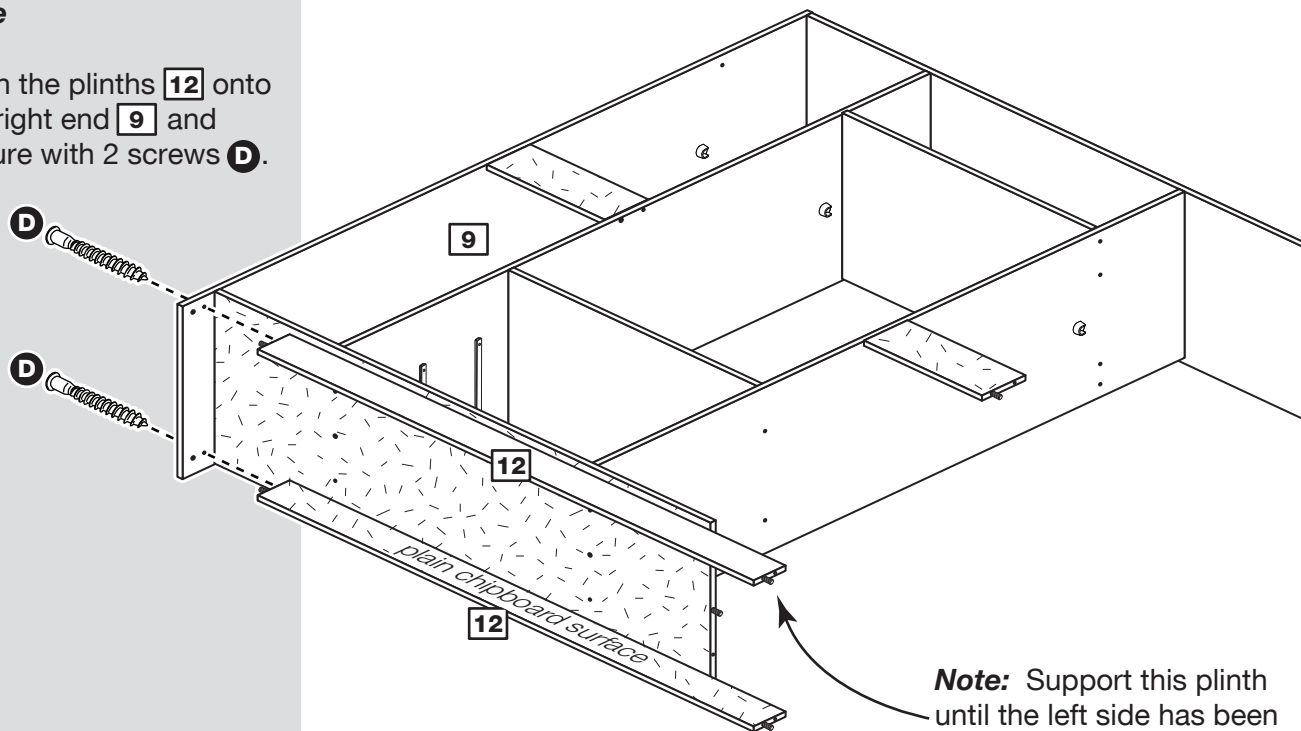
Assembly Instructions

Step 19

Fit the 2 plinths

2 people are needed here

Push the plinths **12** onto the right end **9** and secure with 2 screws **D**.

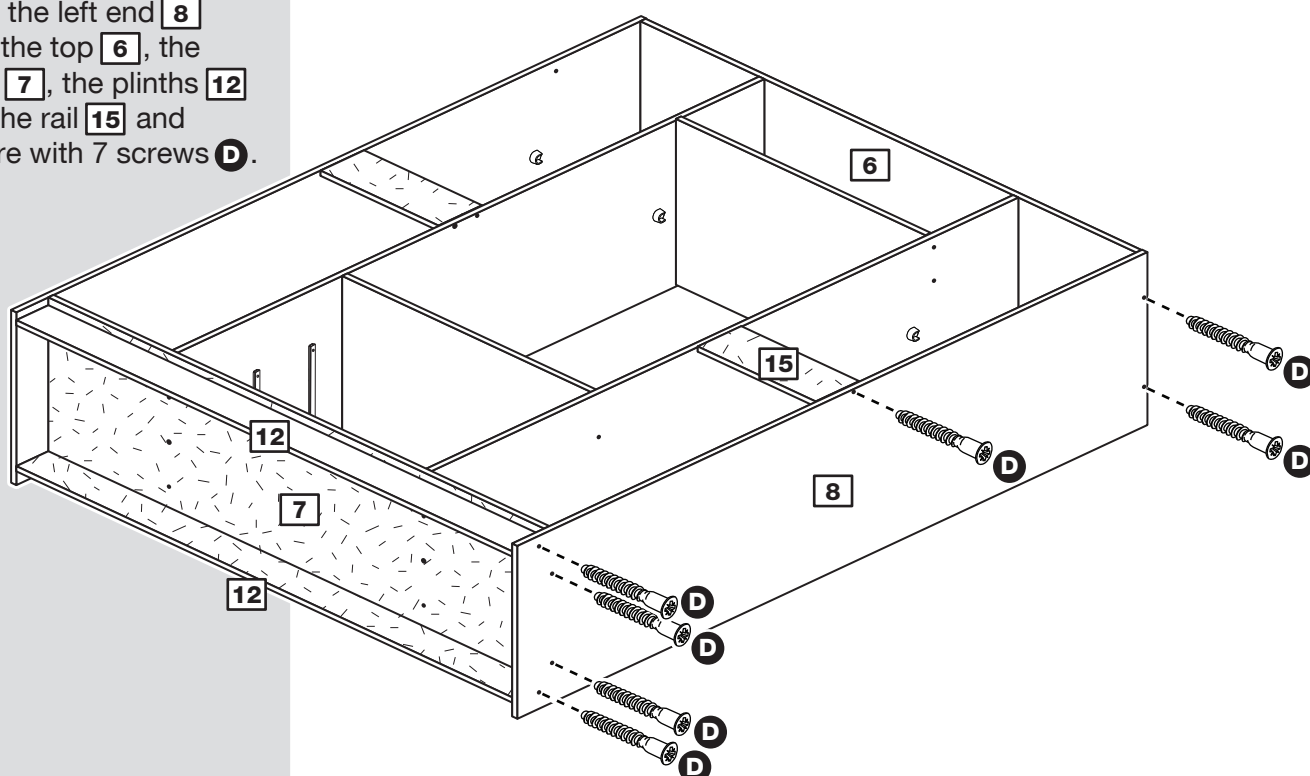


Note: Support this plinth until the left side has been fitted in the next step.

Step 20

Fit the left end

Push the left end **8** onto the top **6**, the base **7**, the plinths **12** and the rail **15** and secure with 7 screws **D**.



Assembly Instructions

Step 21

Fit the back panels

a: Square up the unit by making sure that measurement **x:x equals y:y**.

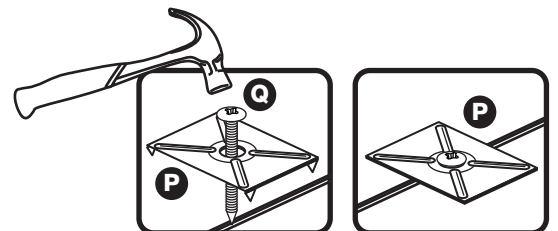
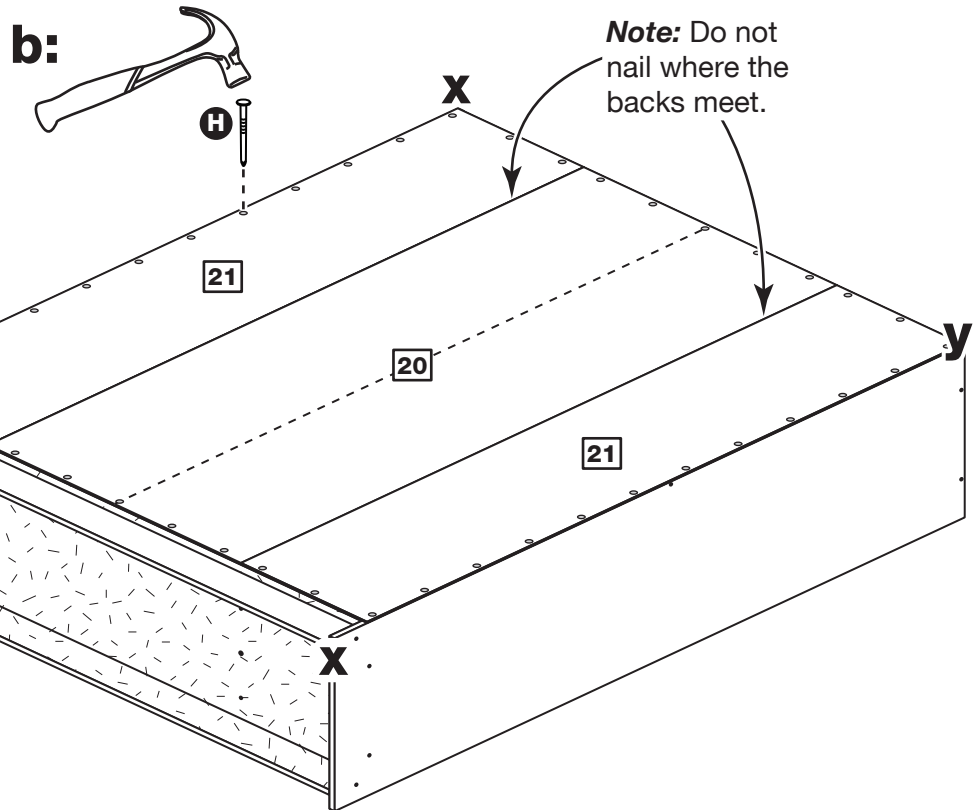
Place the large back **20** and the 2 small backs **21** down onto the unit as shown.

Make sure that the 3 backs are pushed up tight against each other and that they meet over the back edges of the dividers.

b: Nail **H** around the outside edges of the 3 backs.

Note: Do not nail where the backs meet. Nails should be spaced about 150mm apart.

a: The measurement from top corner X to bottom corner X must be equal to the measurement from top corner Y to bottom corner Y



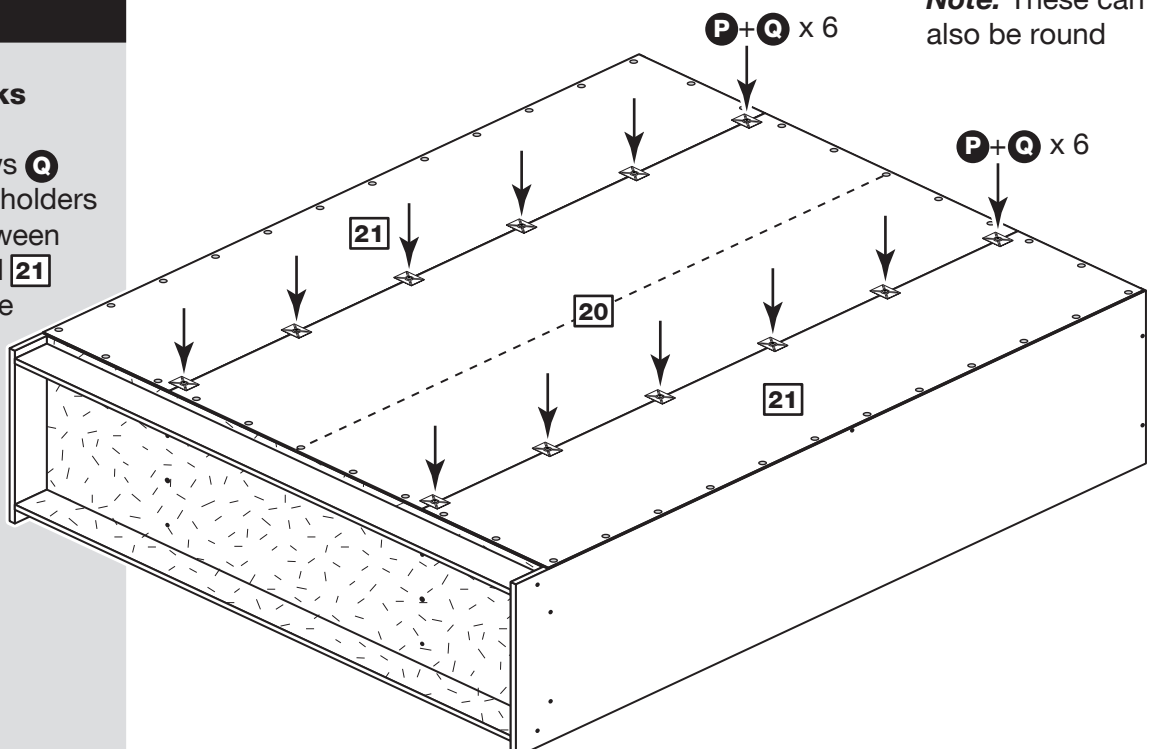
Note: These can also be round

Step 22

Secure the backs

Tap the nail screws **Q** through the back holders **P** and down between the backs **20** and **21** into the back edge of the divider.

Keep tapping the nail screws **Q** in until the back holders **P** dig into the small and large back.



Assembly Instructions

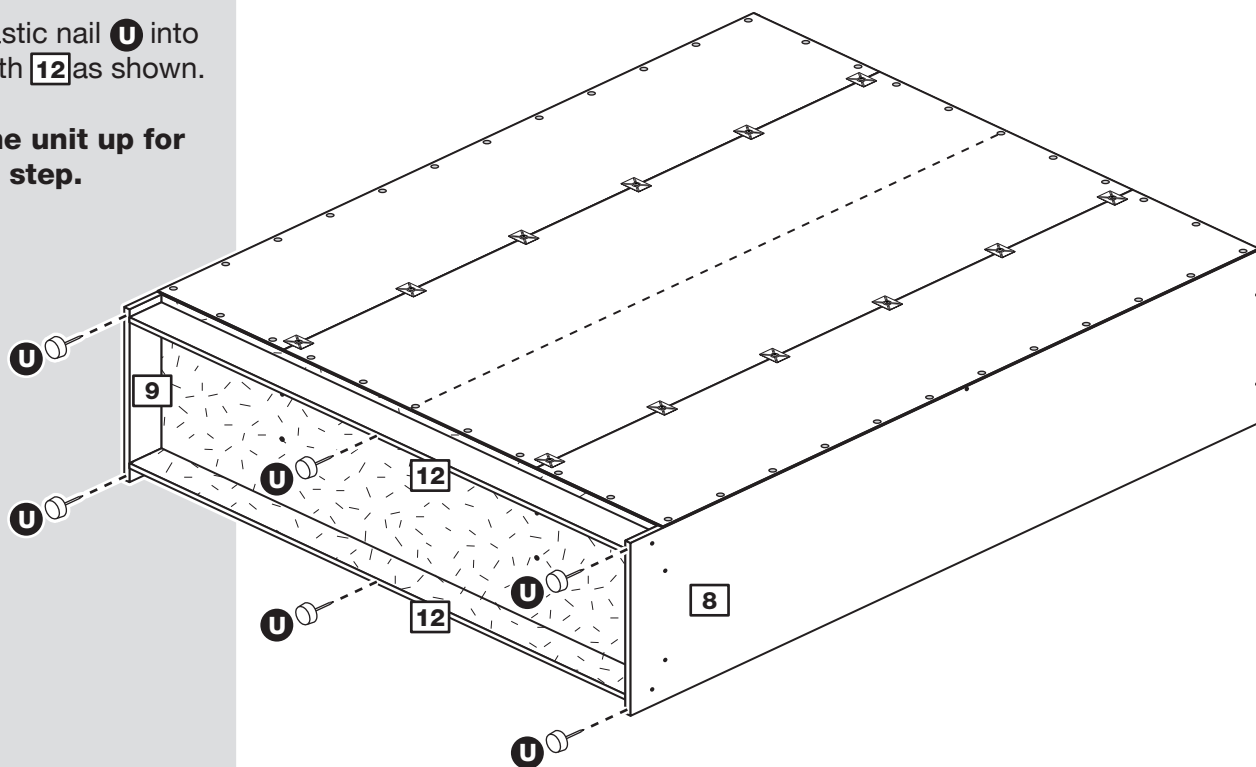
Step 23

Fit the 4 plastic nails

Tap 2 plastic nails **U** into the bottom edge of each end **8** and **9** as shown.

Tap 1 plastic nail **U** into each plinth **12** as shown.

Stand the unit up for the next step.



Warning: The robe is heavy. Lift with care.

Assembly Instructions

Step 24

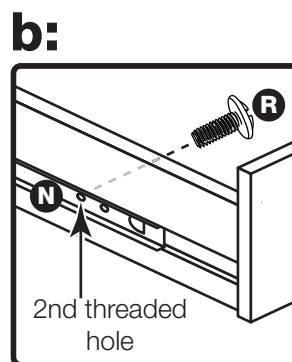
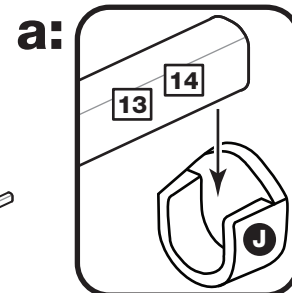
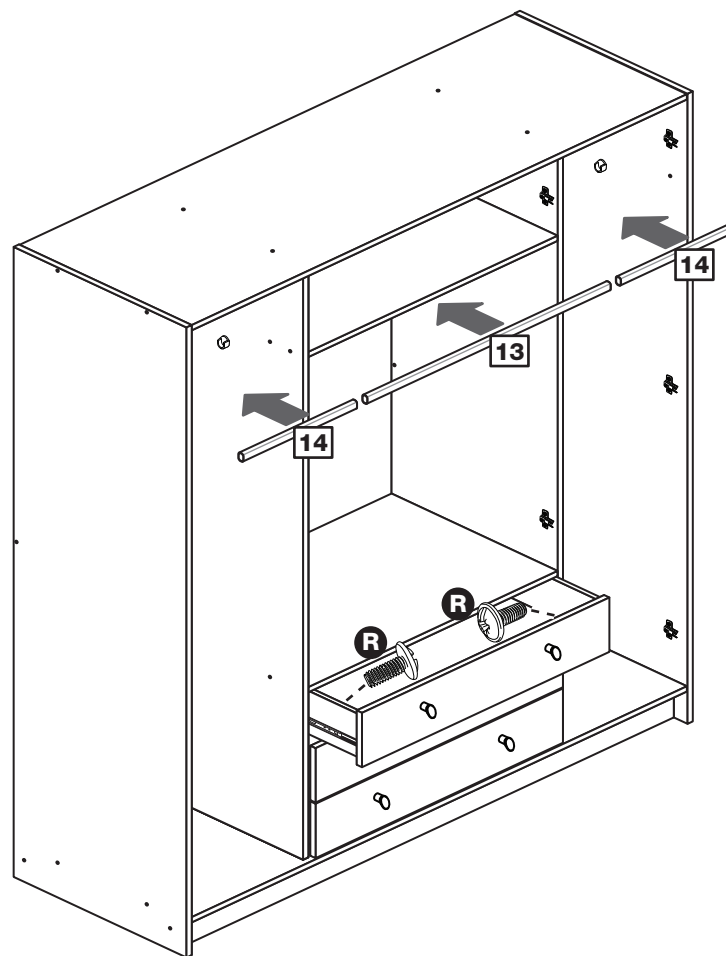
Fit the hanging rails and drawers

a: Push the long hanging rail **13** and 2 short hanging rails **14** into the rail holders **J**.

b: Starting with the bottom drawer, slide both the runners **N** forward and locate the drawer sides **2** and **3** between them, lining up the holes in the drawer wrap with the 2nd 'threaded' holes in the runners **N**.

Working from the inside of the drawer, insert 2 screws **R** through the drawer sides and out into the 2nd threaded hole in the runner.

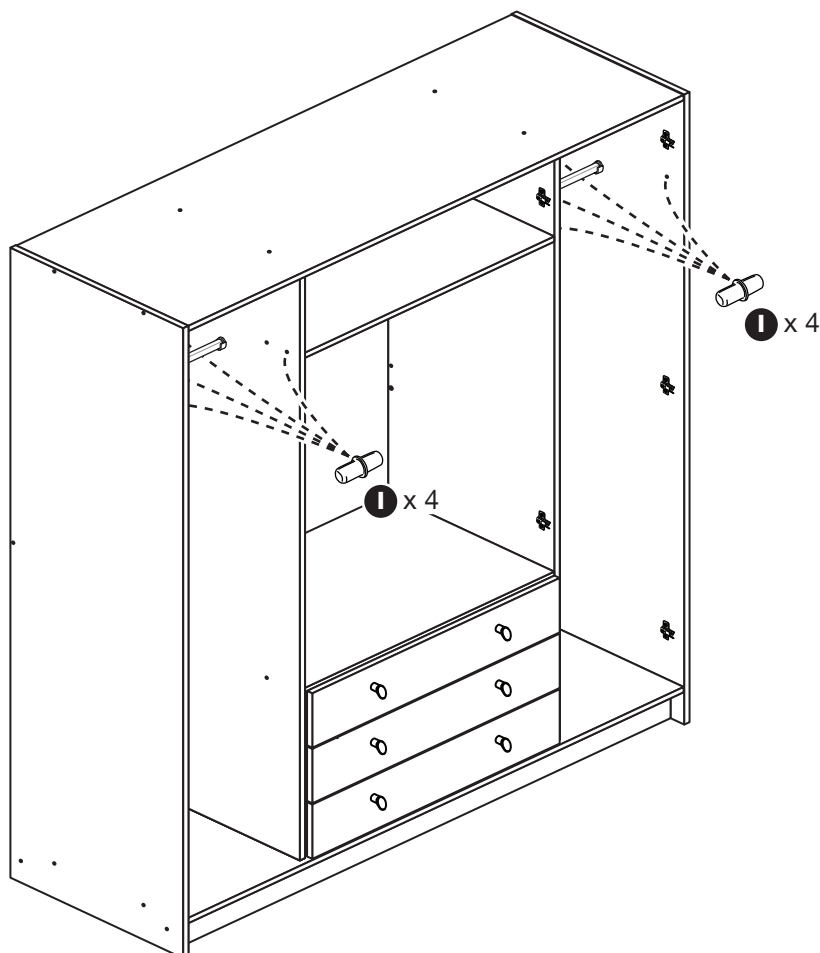
Note: Do not overtighten the screws. If they catch on the runner you may need to loosen them slightly.



Step 25

Fit the shelf studs

For each of the 2 loose shelves **17**, insert 4 shelf studs **I**.

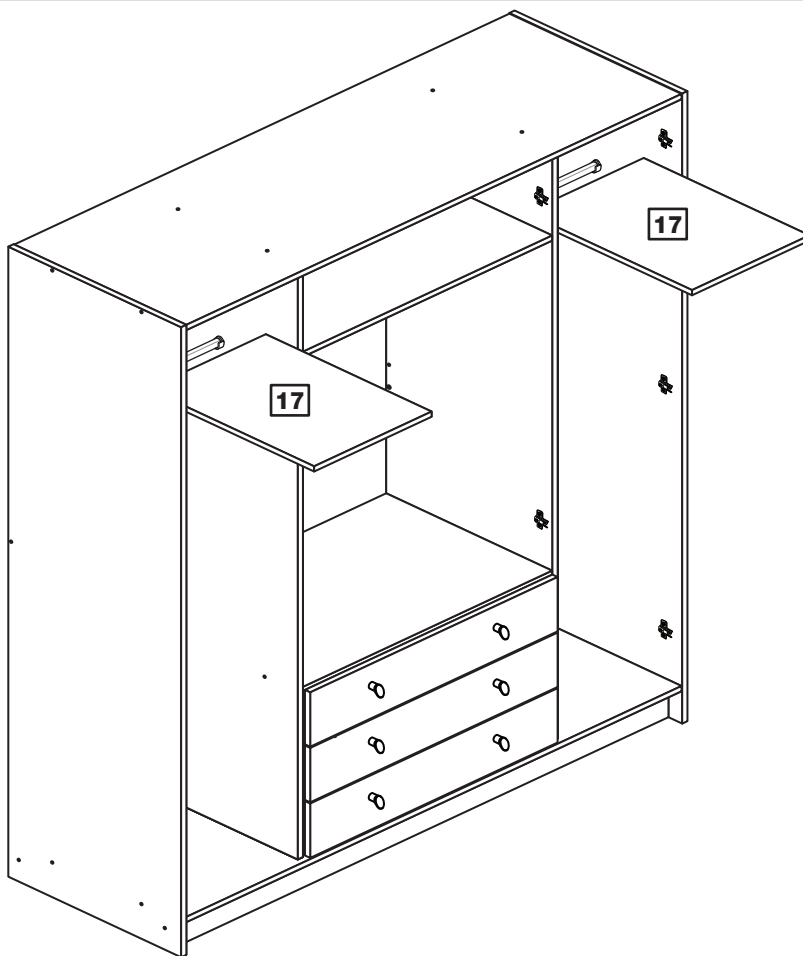


Assembly Instructions

Step 26

Fit the loose shelves

Lower the 2 loose shelves **17** down onto the shelf studs **I**.



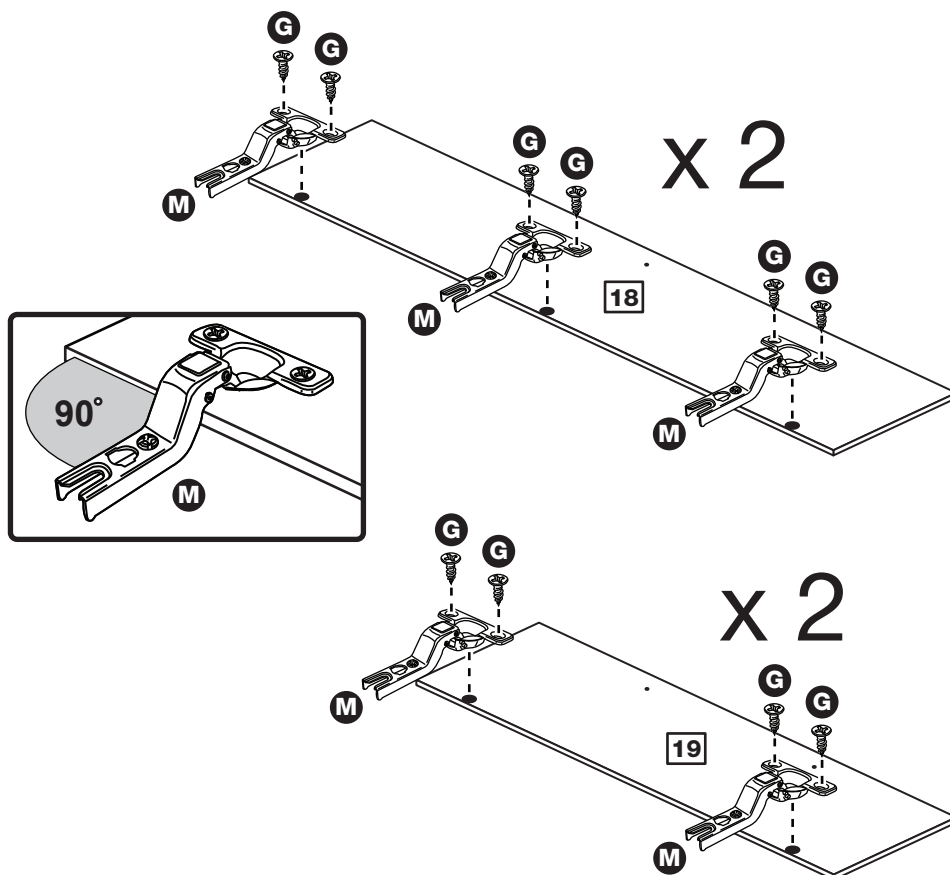
Step 27

Prepare the 4 doors

Push fit 3 hinges **M** into each large door **18** and 2 hinges **M** into each short door **19**.

Secure each hinge with 2 screws **G**.

Note: Before securing with the screws, make sure that the hinges are positioned at 90 degrees with the edge of the



Assembly Instructions

Step 28

Drill a handle hole in each short door

Important: Please follow these instructions carefully.

Lay the 2 short doors **19** down onto a smooth surface.

Check that the hinges and holes are in the same place as the diagrams.

Note: We recommend the use of a small piece of waste wood, placed behind the hole while drilling, to reduce the possibility of any breakout.

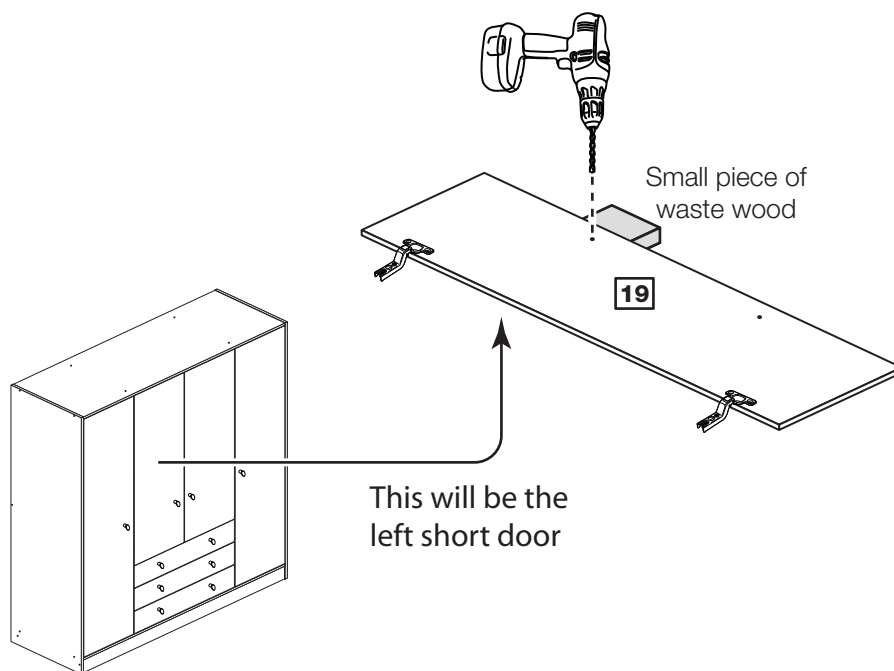
Using the pilot hole in the rear face of the door, drill through the hole indicated opposite, using a 2.5mm diameter drill.

Turn the door over and open out the 2.5mm hole that you have just drilled by drilling back through it with a 5mm drill.

IMPORTANT

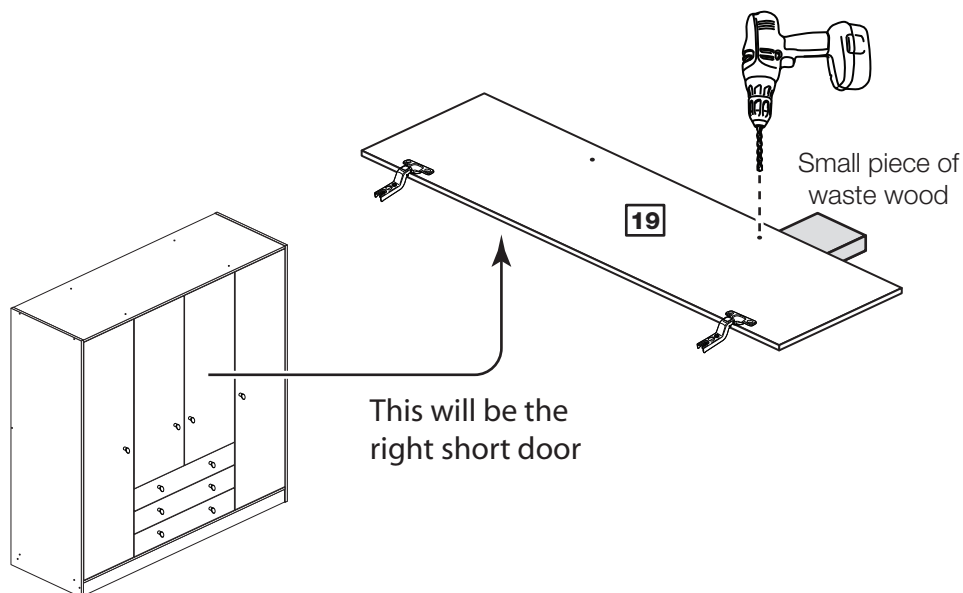
Carefully choose which hole you need to drill in each short door

ONLY drill this hole in 1 short door



This will be the left short door

ONLY drill this hole in 1 short door



This will be the right short door

Assembly Instructions

Step 29

Fit doors and handles

Note: The easiest way to attach each door **18** and **19** is to fit the top hinge first, then align and fit the other hinges.

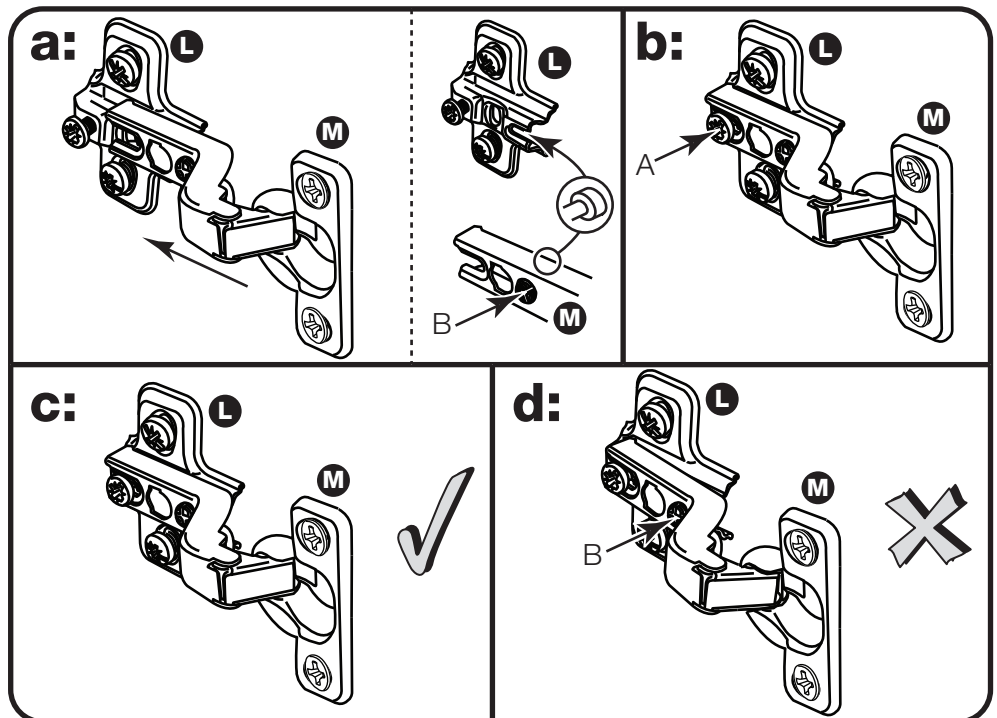
a: Push the hinge **M** onto the front part of the hinge plate **L**. The recess at the bottom of screw B goes into the slot in the hinge plate.

b: Keep the hinge **M** FLAT against the hinge plate **L** as you slide it across as far as it will go. Tighten screw A.

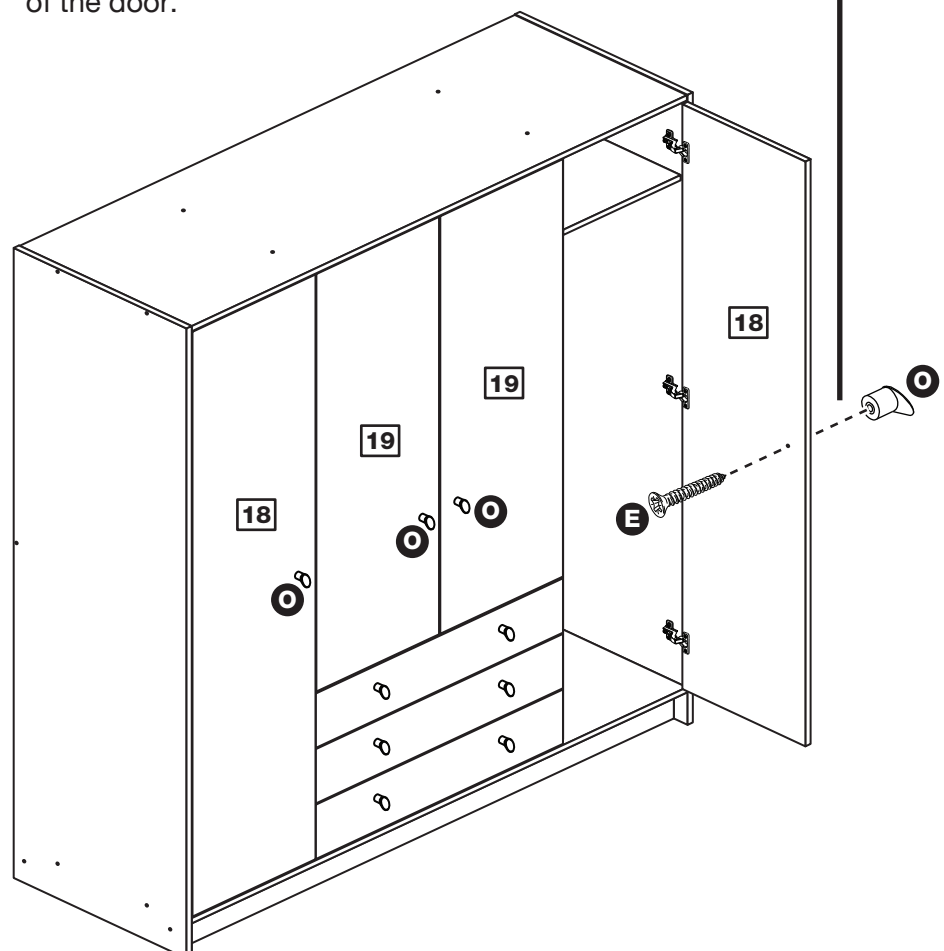
c: The hinge **M** must be flat against the hinge plate **L** prior to any adjustment.

d: The hinge **M** must NOT be AT AN ANGLE to the hinge plate **L** when assembled. This would indicate that the recess at the bottom of screw B had not located in the slot in the hinge plate and the hinge would not be secure. Remove the hinge from the hinge plate and then re-assemble being careful to follow instructions a-c.

e: Attach a handle **O** to each door **18** and **19** using screws **E**.



Note: When fitting the short doors, make sure that the handle hole you had to drill is nearest to the bottom of the door.



Assembly Instructions

Step 30

Adjust the doors if needed

a: Before adjusting the doors, use a spirit level to check the base (or top) of the unit is level, front-to-back and side-to-side in the 3 positions shown. Use suitable packing pieces (not supplied) to make the unit level BEFORE making any adjustment to the hinges, as shown.

b: Height adjustment.

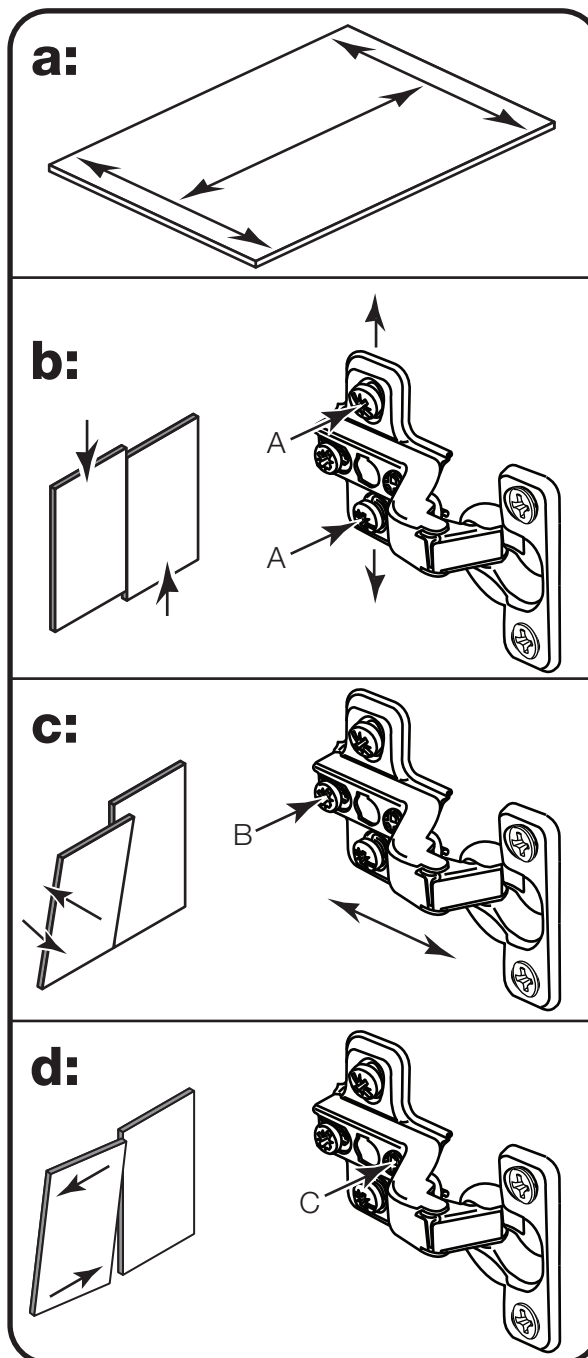
Loosen screws A on hinge plates and move door up or down as required. Retighten screw A.

c: Forward and Back adjustment.

Loosen screw B on hinge plate and move door in or out as required. Retighten screw B.

d: Sideways adjustment.

To move door 'out' loosen screw C. To move door 'in' tighten screw C.



Assembly Instructions

Step 31

Attach bracket to top

To prevent possible overbalancing, we recommend that this unit is secured to a suitable wall by use of the bracket **K** fitted to the top of the unit.

Fixings are not supplied, as they will need to suit the wall type and the length of screw will depend on the distance from the back of the unit to the wall.

Fix the bracket **K** loosely onto the top of the unit using screw **F** and mark the wall for the wall fixing.

Swivel the bracket **K** away from the wall and drill a hole in the wall using a suitable drill bit and fit your wall fixing.

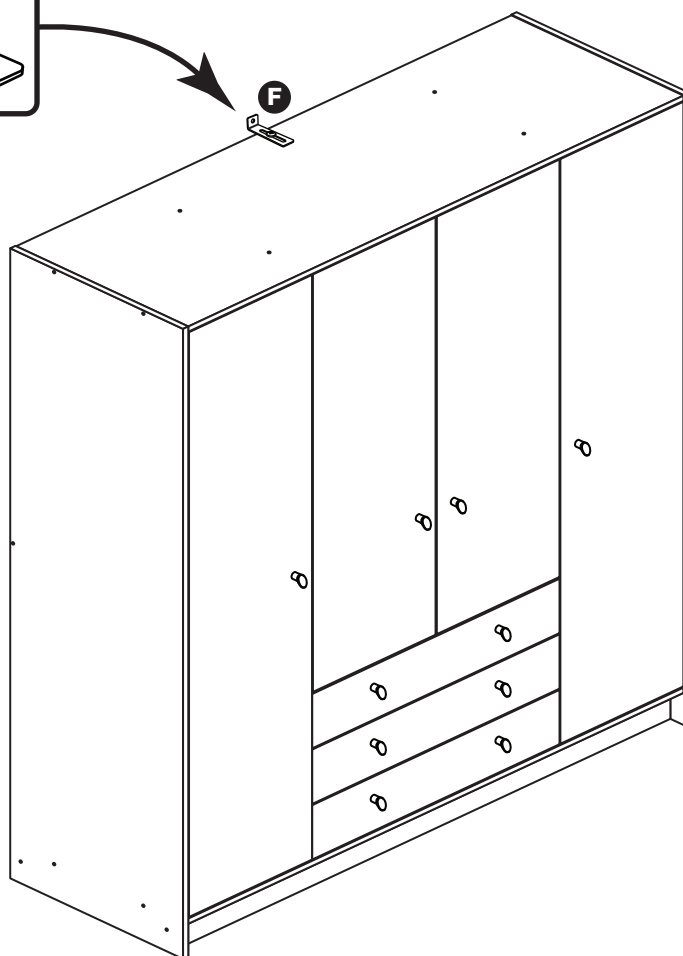
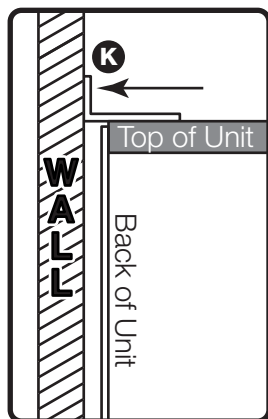
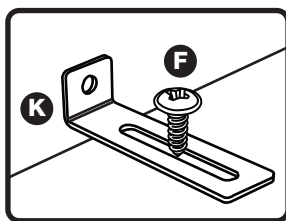
Swivel the bracket **K** back and fix the bracket to the wall, then tighten screw **F**.

Note: Take care when drilling the wall that you do not drill into any pipes, wires etc. If in doubt, consult an expert.

Assembly is complete



Warning: The unit is heavy. Lift with care.



If you need help or have damaged or missing parts, call the Customer Helpline: 08456 400800 and quote the reference numbers on the component pages.

Argos Ltd, 489-499 Avebury Boulevard, Central Milton Keynes, MK9 2NW

Malibu - 3 Drawer 2+2 Door Robe

Assembly Instructions - Please keep for future reference

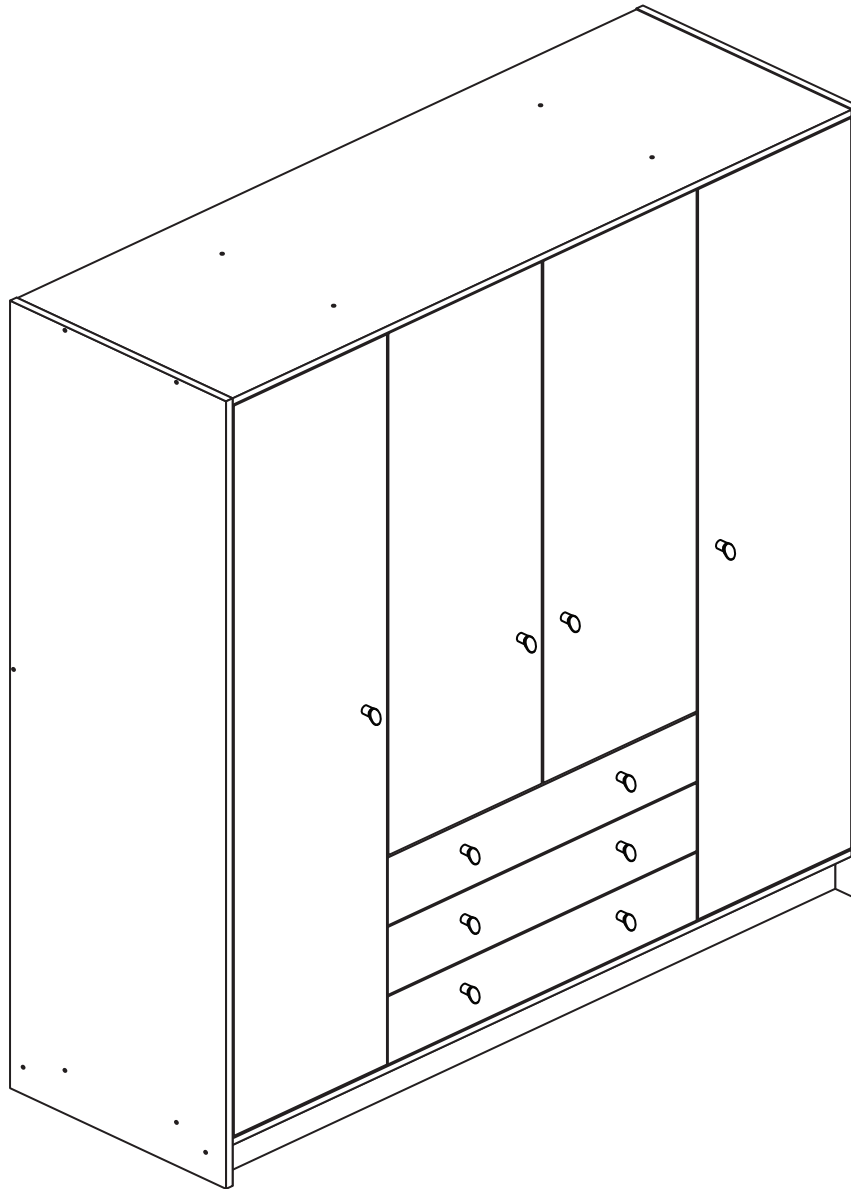
258/6890

268/4534

257/7517

268/2811

244/7142



Dimensions

Width - 145.5cm

Depth - 50cm

Height - 181cm



**MADE IN
BRITAIN**

Important - Please read these instructions fully before starting assembly

If you need help or have damaged or missing parts, call the **Customer Helpline: 03456 400800**



Safety and Care Advice

Important - Please read these instructions fully before starting assembly

• **Warning:** This unit weighs approximately 101kgs. Please lift with care.

• Check you have all the components and tools listed on pages 1, 2 and 3.

• Remove all fittings from the plastic bags and separate them into their groups.

• Keep children and animals away from the work area, small parts could choke if swallowed.

• Parts of the assembly will be easier with 2 people.

• Make sure you have enough space to layout the parts before starting.

• Do not stand or put weight on the product, this could cause damage.

• Assemble the item as close to its final position (in the same room) as possible.

• Assemble on a soft level surface to avoid damaging the unit or your floor (use opened out unit carton).



• We do not recommend the use of power drill/drivers **for inserting screws**, as this could damage the unit. Only use hand screwdrivers.

• **Safety note:** It is recommended that this unit is secured to a wall using the overbalance protector kit supplied or, an alternative fixing method of your choice.

• Dispose of all packaging carefully and responsibly.

Care and maintenance

• Only clean using a damp cloth and mild detergent, do not use bleach or abrasive cleaners.

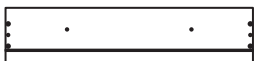
• From time to time check that there are no loose screws on this unit.

• This product should not be discarded with household waste. Take to your local authority waste disposal centre.

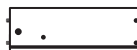
Components - Panels

If you have damaged or missing components, call the **Customer Helpline: 08456 400800** quoting the reference numbers below

Please check you have all the panels listed below



1 Drawer Front (D2783A)
(710 x 156mm) x 3



2 Left Drawer Side (W370-124LH)
(370 x 124mm) x 3



3 Right Drawer Side (W370-124RH)
(370 x 124mm) x 3



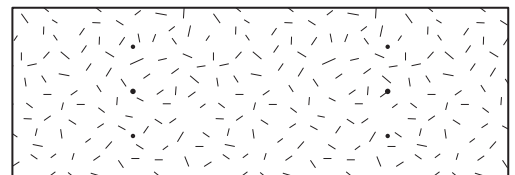
4 Drawer Back (W682-124BCK)
(682 x 124mm) x 3



5 Drawer Base (T693-367)
(693 x 367mm) x 3



6 Top (D2851A)
(1423 x 494mm)



7 Base (D2856A)
(1423 x 494mm)

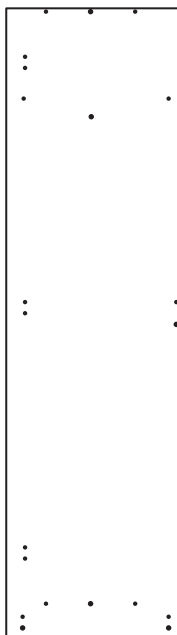
Ruler - Use this ruler to help correctly identify the screws



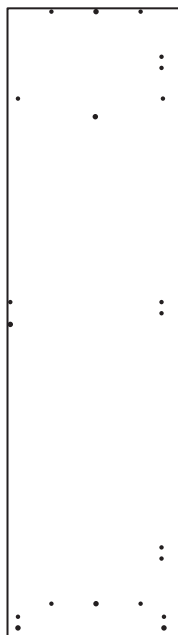
Components - Panels

If you have damaged or missing components, call the **Customer Helpline: 03456 400800** quoting the reference numbers below

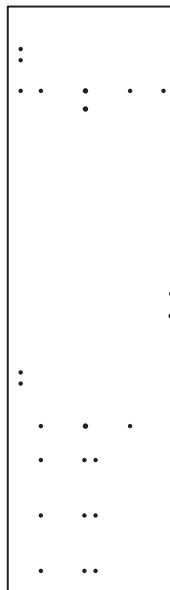
Please check you have all the panels listed below



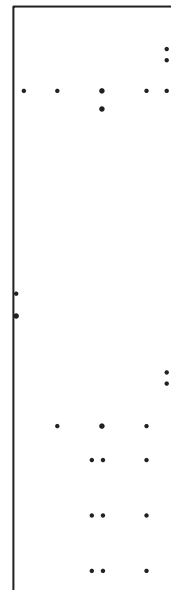
8 Left End (D2852A)
(1808 x 496mm)



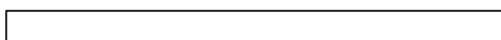
9 Right End (D2853A)
(1808 x 496mm)



10 Left Divider (D2854A)
(1684 x 477mm)



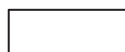
11 Right Divider (D2855A)
(1684 x 477mm)



12 Plinth (D2859A)
(1423 x 92mm) x 2



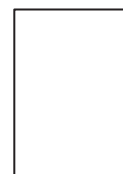
13 Long Hanging Rail (FHR704)
(704mm long)



15 Rail (D2860A)
(338.5 x 125mm)
x 2



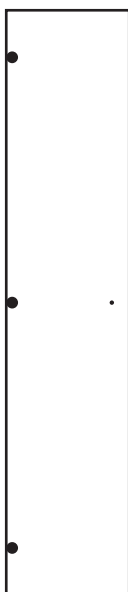
16 Horizontal (D2861A)
(716 x 476mm) x 2



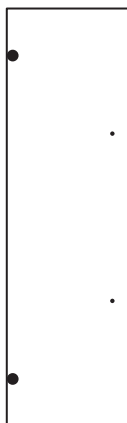
17 Loose Shelf (D2858A)
(337 x 476mm) x 2



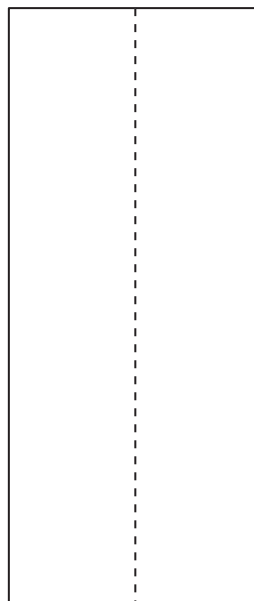
14 Short Hanging Rail (FHR330)
(330mm long) x 2



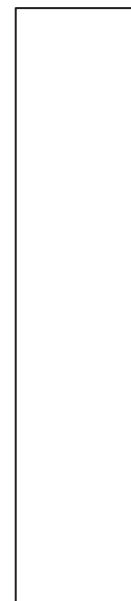
18 Large Door (D2845A)
(1678 x 353mm) x 2



19 Short Door (D2857A)
(1198 x 353mm) x 2



20 Large Back (X1710-726)
(1710 x 726mm)



21 Small Back (X1710-358)
(1710 x 358mm) x 2

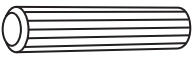
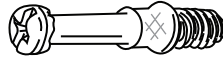



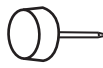

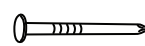
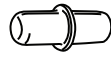
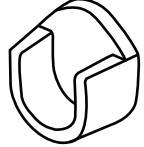

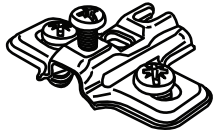
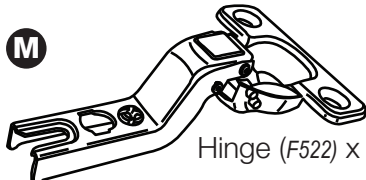


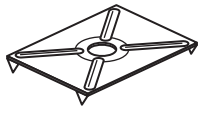

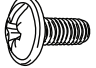


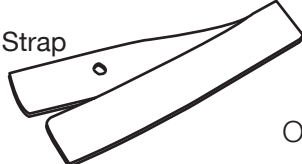




Components - Fittings

If you have damaged or missing components, call the **Customer Helpline: 03456 400800** quoting the reference numbers below

Please check you have all the fittings listed below

Note: The quantities below are the correct amount to complete the assembly. In some cases more fittings may be supplied than are required.

<p>A </p> <p>Wooden dowel (F22) x 20</p>	<p>B </p> <p>Metal dowel (F901) x 6</p>	<p>C </p> <p>Small locking nut (F3) x 6</p>
<p>D </p> <p>40mm Screw (F910) x 32</p>	<p>E </p> <p>25mm Screw (F50) x 10</p>	<p>F </p> <p>Plastic Nail (F91) x 6</p>
<p>G </p> <p>13mm Screw (F63) x 26</p>	<p>H </p> <p>Nail (F51) x 44</p>	<p>I </p> <p>Shelf stud (F110) x 8</p>
<p>J </p> <p>Rail holder (F1014) x 6</p>	<p>K </p> <p>Knock-in Peg (F171GY) x 12</p>	<p>L </p> <p>Hinge plate (F523) x 10</p>
<p>M </p> <p>Hinge (F522) x 10</p>	<p>N </p> <p>Drawer runner (F1004) x 6</p>	
<p>O </p> <p>Handle (F631) x 10</p>	<p>P  *These can also be round</p> <p>Back holder (F276) x 12</p>	<p>Q </p> <p>Nail screw (F277) x 12</p>
<p>R </p> <p>9mm Screw (F74) x 6</p>	<p>S </p> <p>9mm Screw (F73) x 12</p>	<p>T </p> <p>Wedgefix (F639) x 12</p>
<p>U   Screw  Washer x 2</p> <p>Overbalance protector kit (F269) x 1</p>		

Tools required

Rule	Hammer	Cross-head screwdriver
Square	Bradawl	Eye protection (when using a hammer or drill)
Scissors	Electric drill	
Spirit level	Step ladder	

Assembly Instructions

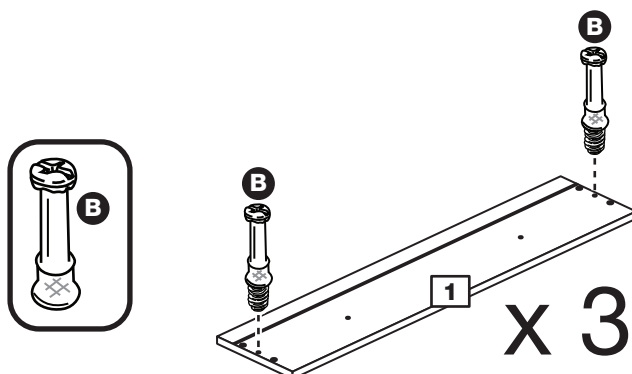
If you have damaged or missing components, call the
Customer Helpline: 03456 400800 quoting the reference
numbers below

Step 1

Prepare the 3 drawer fronts

Screw 2 metal dowels **B** into each of the drawer fronts **1**.

Note: Tighten the metal dowels up fully against the panels.

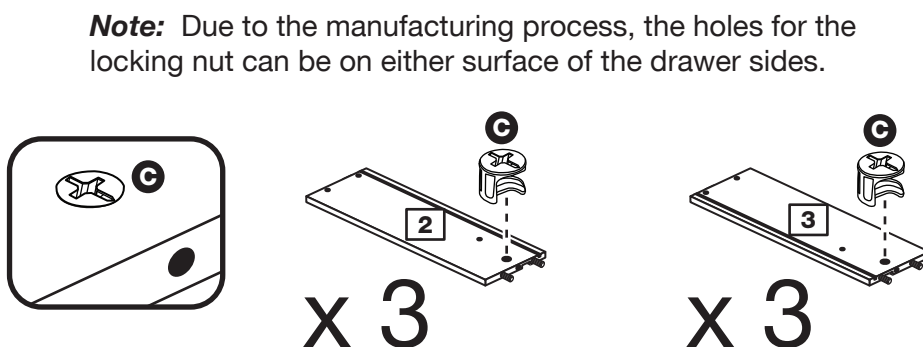


Step 2

Prepare the drawer sides

Insert a small locking nut **C** into the hole shown on the left drawer side **2** and the right drawer side **3**.

Note: The arrow on the locking nut **must** point towards the hole in the edge of the panel.



Step 3

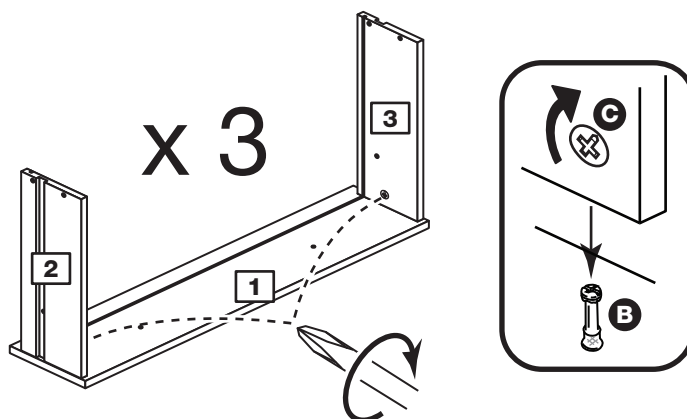
Attach the drawer sides to the drawer fronts

Push the left drawer sides **2** and right drawer sides **3** onto the back of the drawer fronts **1**.

Turn the small locking nuts **C** on the left drawer side **2** and right drawer side **3**.

Note: Turn the locking nuts **C** clockwise to secure panels - more than 1/2 a turn.

Note: The locking nuts can be on either surface of the drawer sides. Make sure that the small groove is on the inside, as shown.

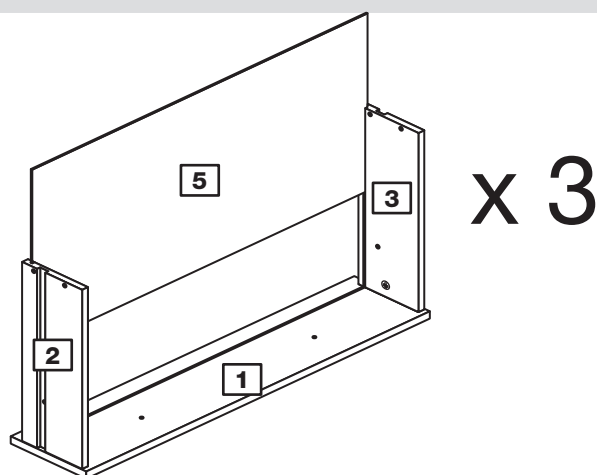


Assembly Instructions

Step 4

Fit the drawer base

Slide the drawer base **5** down the grooves in the drawer sides **2** and **3** and down into the groove in the drawer front **1**.

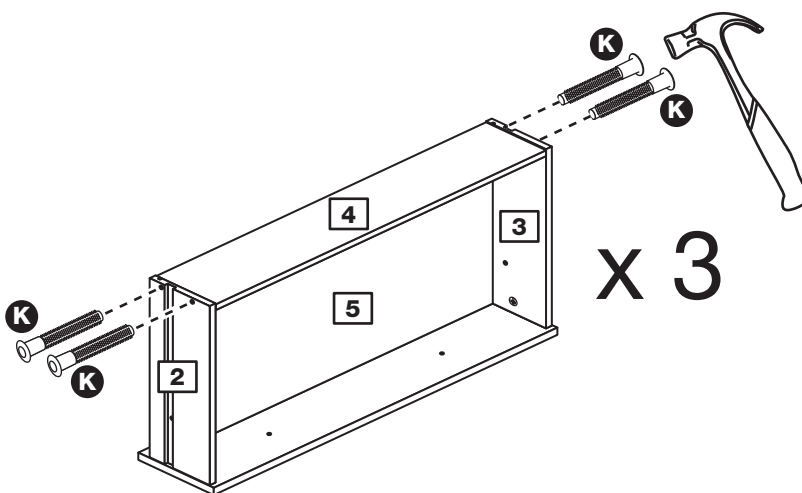


Step 5

Fit the drawer back

Fit the drawer back **4** between the drawer sides **2** and **3**. Make sure that the drawer base **5** fits into the groove in the drawer back **4**.

Hold the drawer back **4** in position and tap the knock-in pegs **K** through the holes in the drawer sides **2** and **3**.

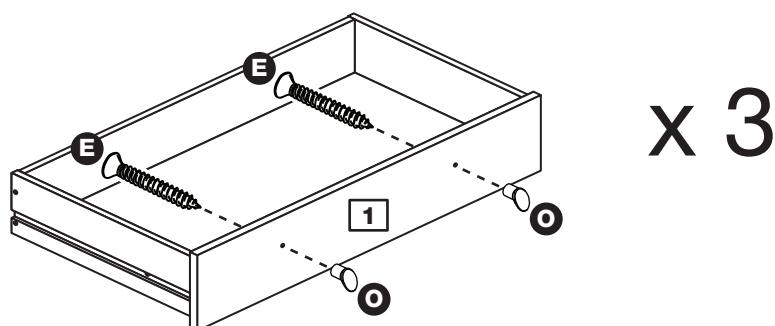


Step 6

Attach the handles

Attach a handle **O** to each of the drawer fronts **1** using screw **E**.

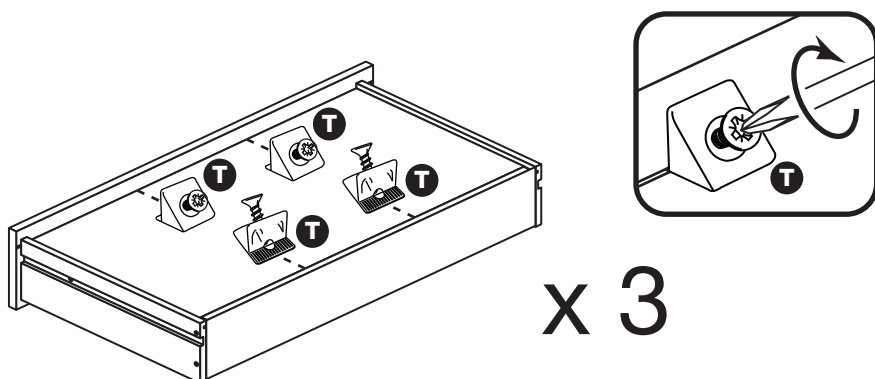
Note: Do not overtighten the screw.



Step 7

Fit the wedgifixes

Turn the drawer assemblies over and slide 4 wedgifixes **T** into the front and back grooves, as shown, and tighten up the screws.



Assembly Instructions

Step 8

Prepare the left divider

a: Place 3 runners **N** on the left divider **10** as shown. Slide back the top of runner and use the 2nd hole from the front to fit the 1st screw **S**.

b: Slide the runner **N** back the other way and fit the 2nd screw **S** into the corresponding hole in the left divider **10**.

c: Fit 2 hinge plates **L** onto the left divider **10** making sure that the slot is facing towards the finished front edge.

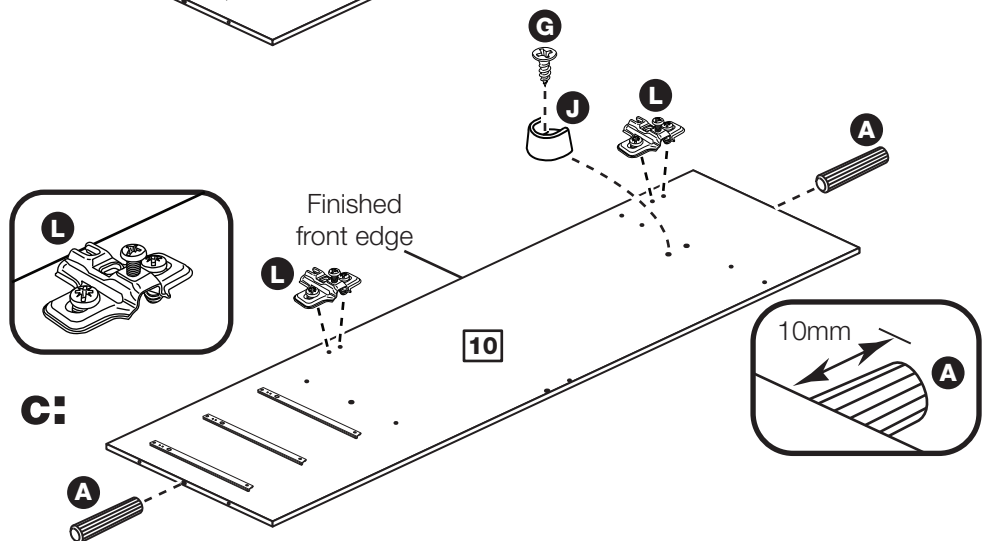
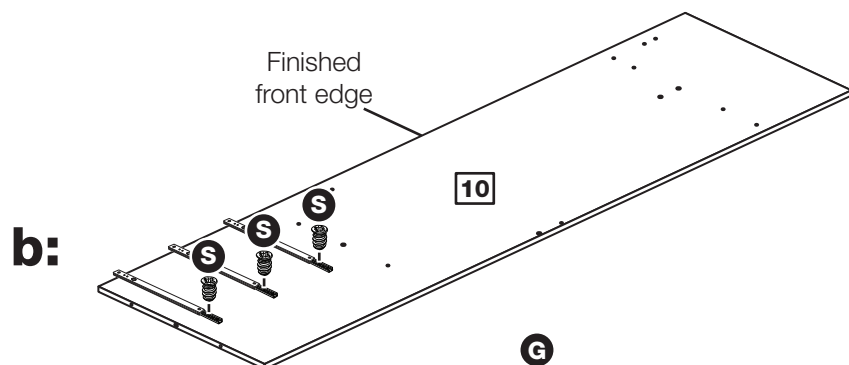
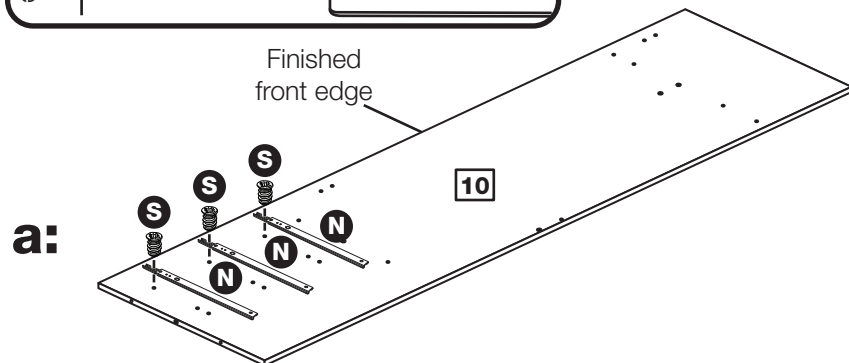
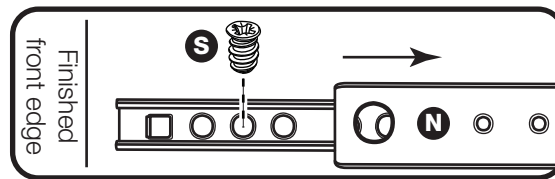
Push a rail holder **J** into the left divider **10**. Make sure that it is fitted straight, in line with the panel edges and then secure with screw **G**.

Tap 2 wooden dowels **A** into the left divider **10**.

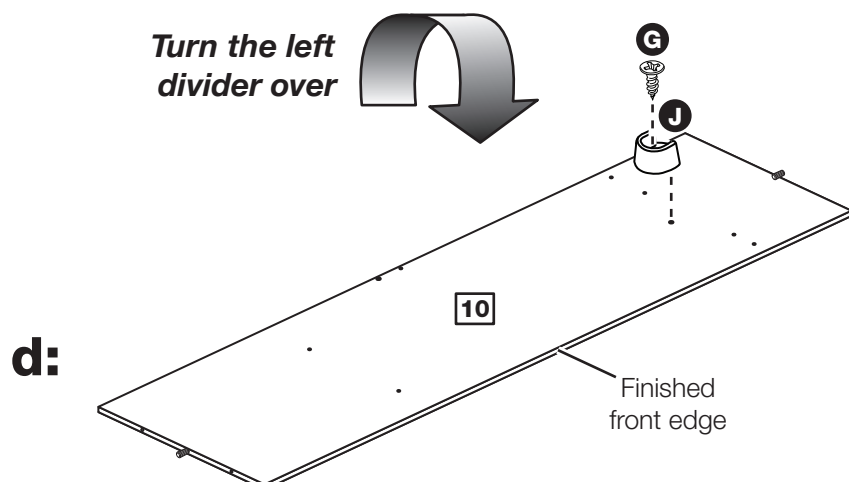
Note: Wooden dowels **must not** stick out from the edge by more than 10mm or they may damage other panels.

Turn the left divider over

d: Push a rail holder **J** into the left divider **10**. Make sure that it is fitted straight, in line with the panel edges and then secure with screw **G**.



Turn the left divider over



Assembly Instructions

Step 9

Prepare the right divider

a: Place 3 runners **N** on the right divider **11** as shown. Slide back the top of runner and use the 2nd hole from the front to fit the 1st screw **S**.

b: Slide the runner **N** back the other way and fit the 2nd screw **S** into the corresponding hole in the right divider **11**.

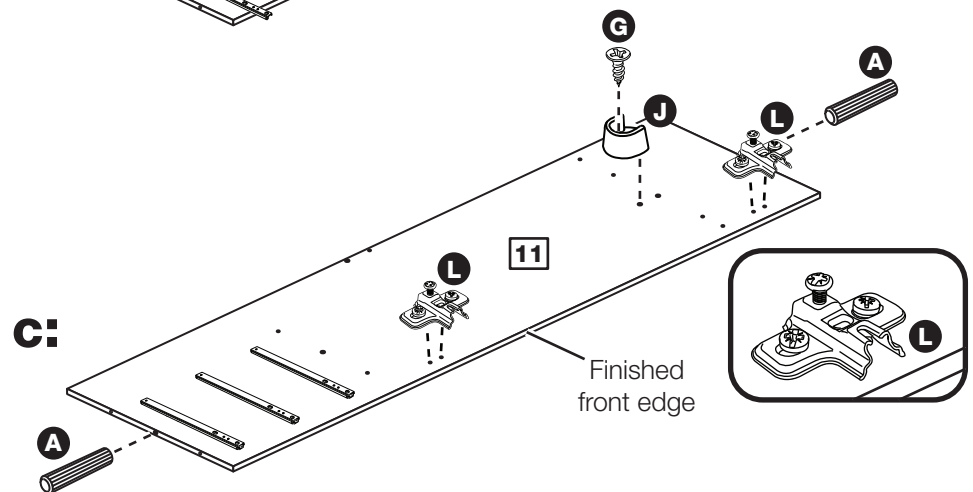
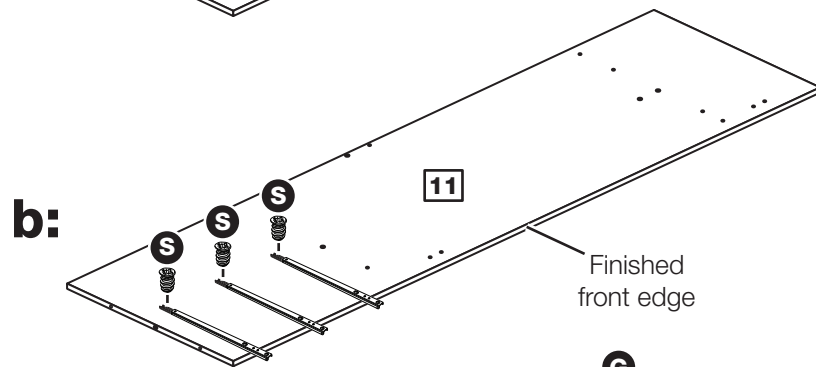
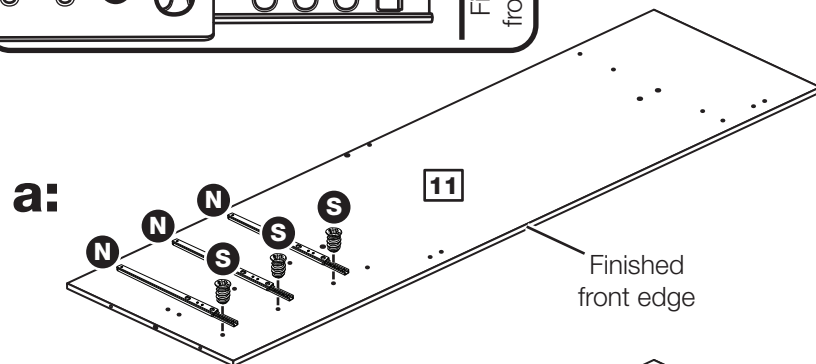
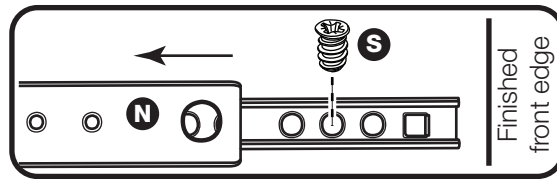
c: Fit 2 hinge plates **L** onto the right divider **11** making sure that the slot is facing towards the finished front edge.

Push a rail holder **J** into the right divider **11**. Make sure that it is fitted straight, in line with the panel edges and then secure with screw **G**.

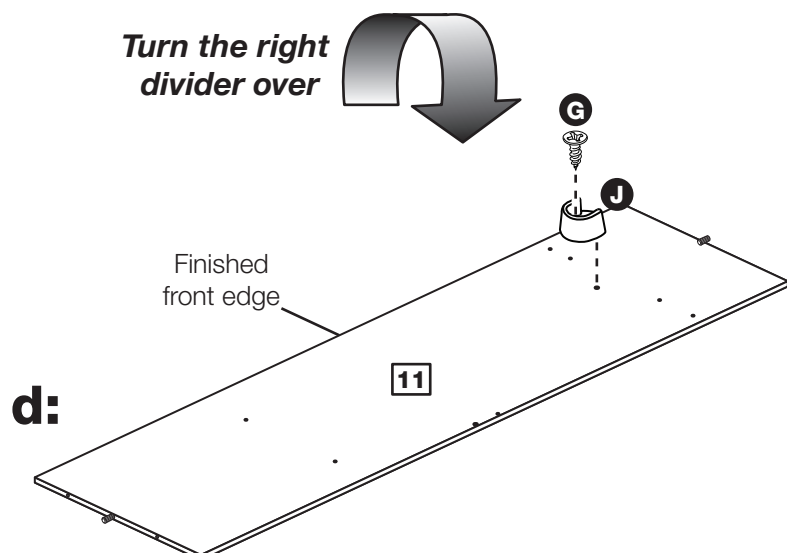
Tap 2 wooden dowels **A** into the right divider **11**.

Turn the right divider over

d: Push a rail holder **J** into the right divider **11**. Make sure that it is fitted straight, in line with the panel edges and then secure with screw **G**.



Turn the right divider over

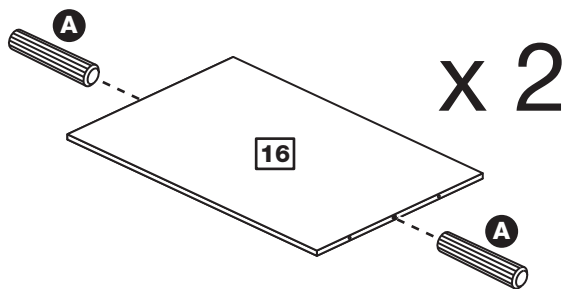


Assembly Instructions

Step 10

Prepare the 2 horizontals

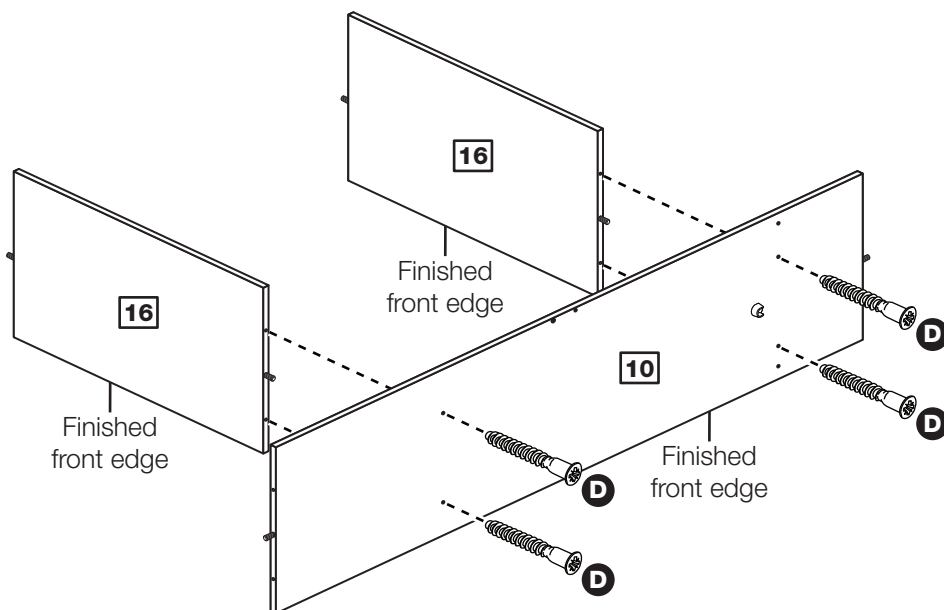
Tap 2 wooden dowels **A** into each horizontal **16**.



Step 11

Fit the horizontals to the left divider

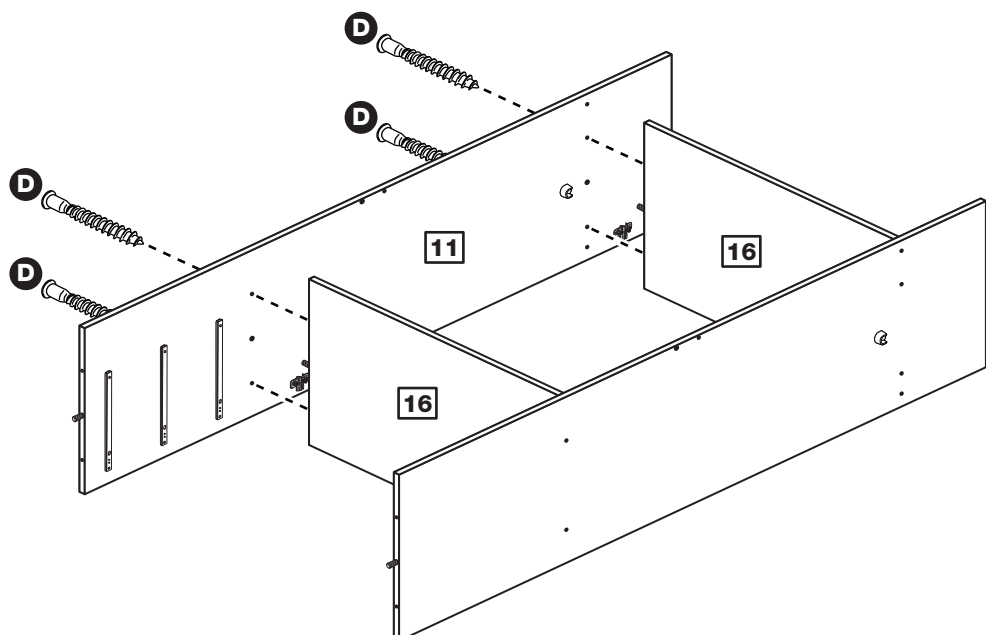
Push the 2 horizontals **16** onto the left divider **10** and secure with 4 screws **D**.



Step 12

Fit the right divider

Push the right divider **11** onto the 2 horizontals **16** and secure with 4 screws **D**.



Assembly Instructions

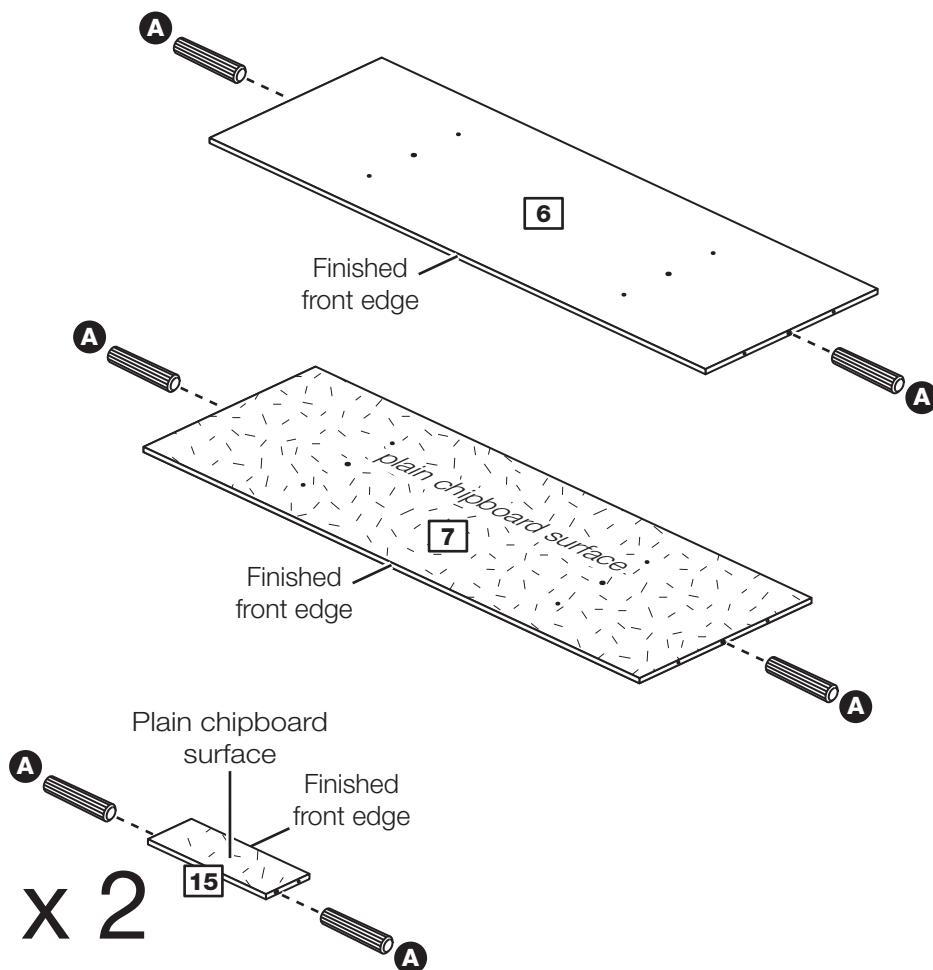
Step 13

Prepare the top, base and 2 rails

Tap 2 wooden dowels **A** into the top **6**.

Tap 2 wooden dowels **A** into the base **7**.

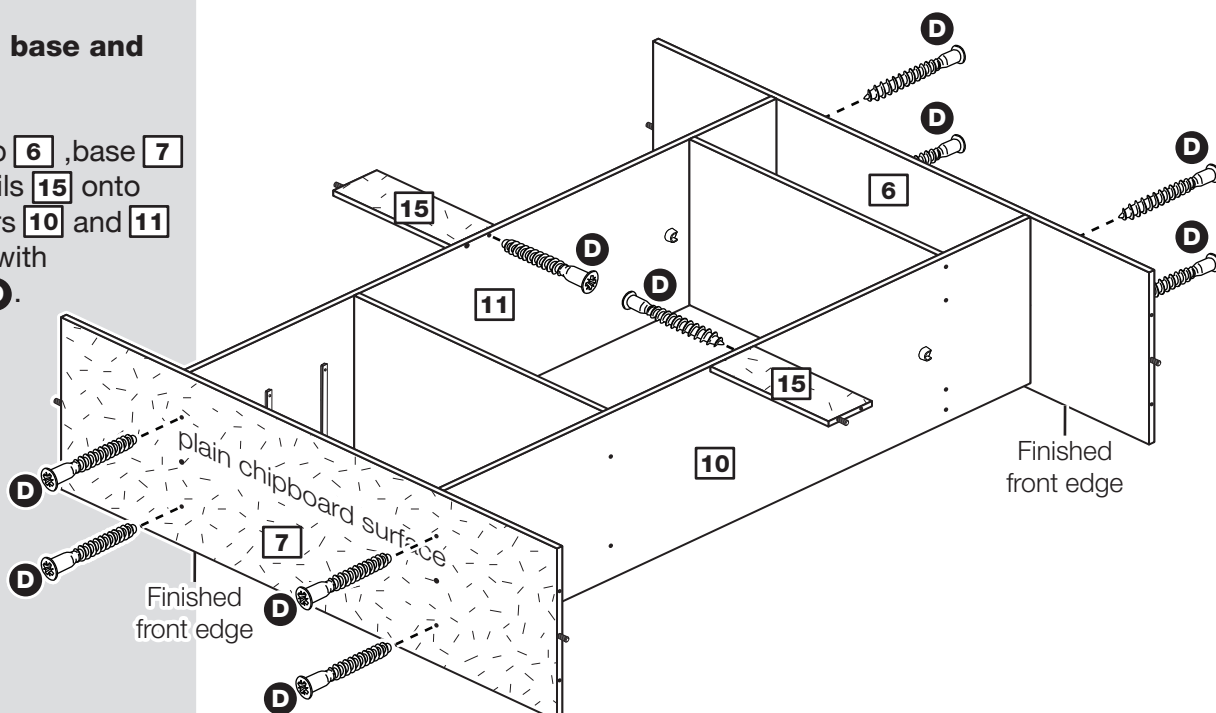
Tap 2 wooden dowels **A** into each rail **15**.



Step 14

Fit the top, base and rails

Push the top **6**, base **7** and the 2 rails **15** onto the 2 dividers **10** and **11** and secure with 10 screws **D**.



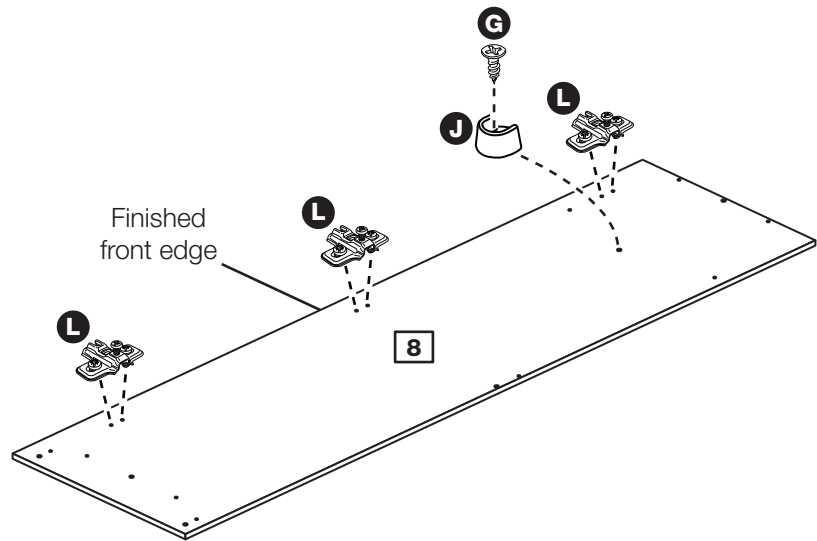
Assembly Instructions

Step 15

Prepare the left end

Push a rail holder **J** into the left end **8**. Make sure that it is fitted straight, in line with the panel edges and then secure with screw **G**.

Fit 3 hinge plates **L** onto the left end **8**, making sure that the slot is facing towards the finished front edge.

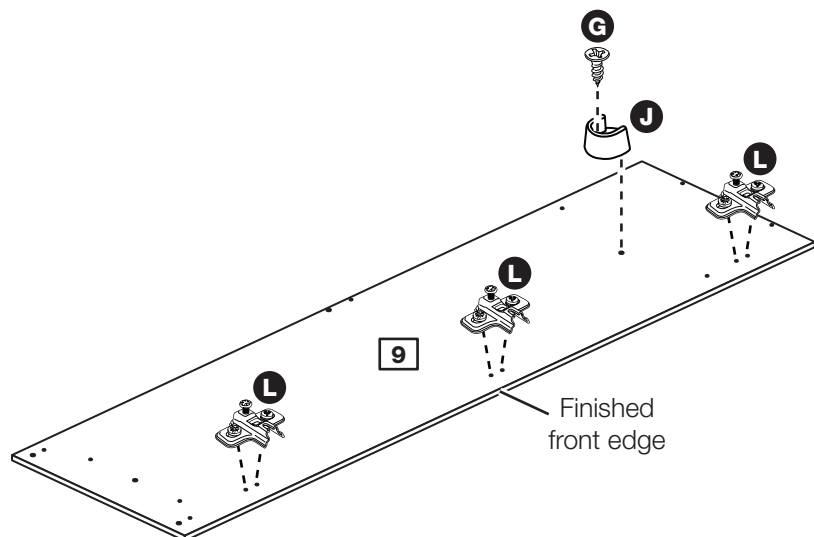


Step 16

Prepare the right end

Push a rail holder **J** into the right end **9**. Make sure that it is fitted straight, in line with the panel edges and then secure with screw **G**.

Fit 3 hinge plates **L** onto the right end **9**, making sure that the slot is facing towards the finished front edge.

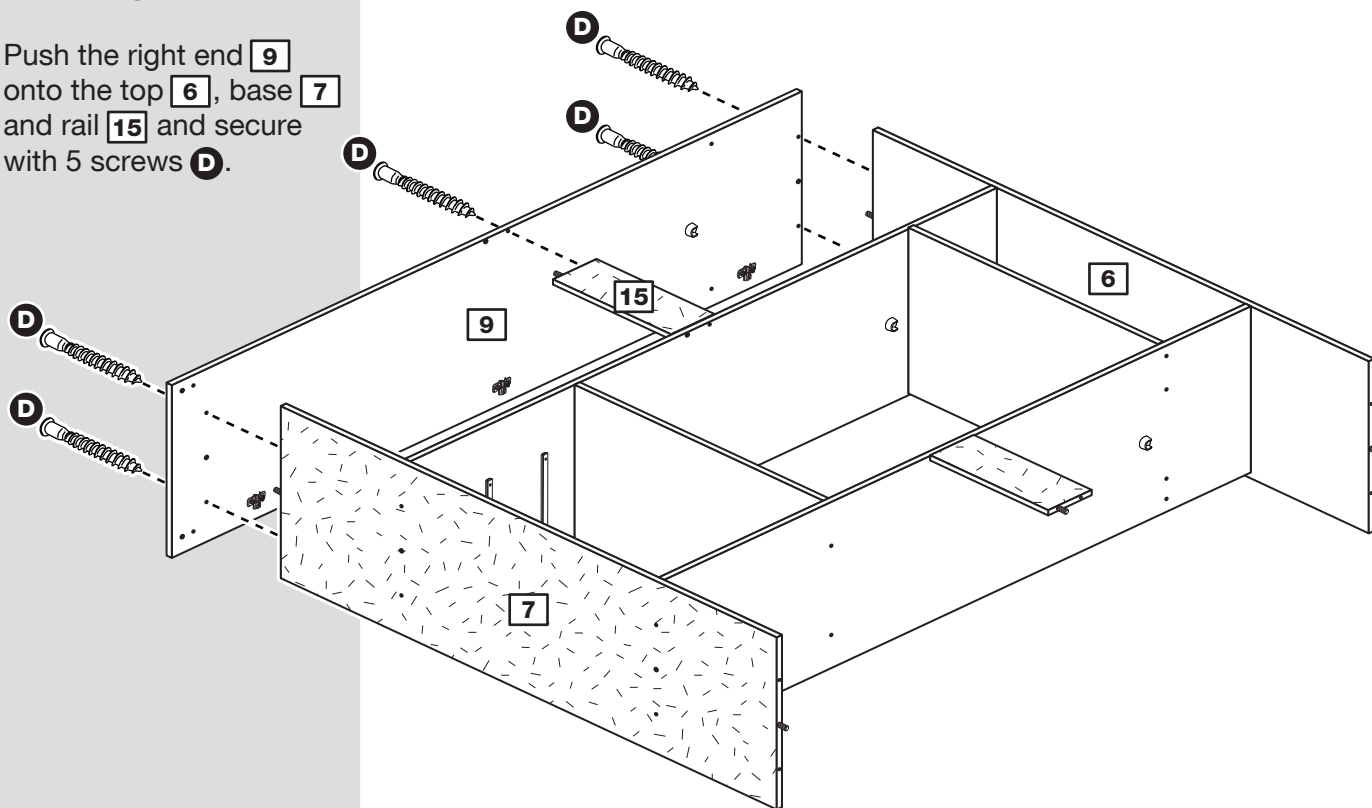


Assembly Instructions

Step 17

Fit the right end

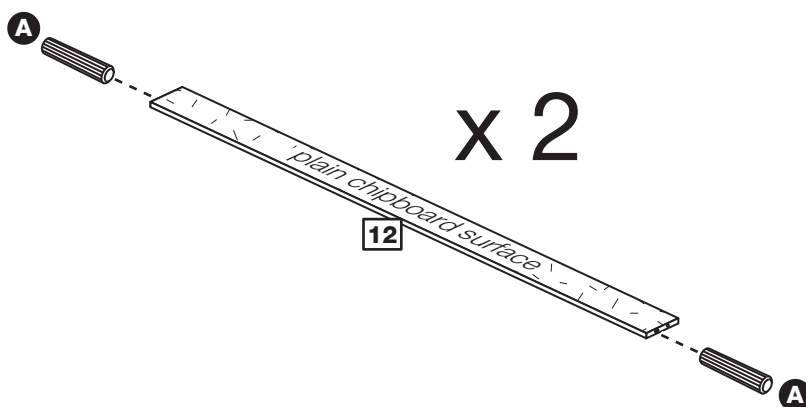
Push the right end **9** onto the top **6**, base **7** and rail **15** and secure with 5 screws **D**.



Step 18

Prepare the 2 plinths

Tap 2 wooden dowels **A** into each of the 2 plinths **12**.



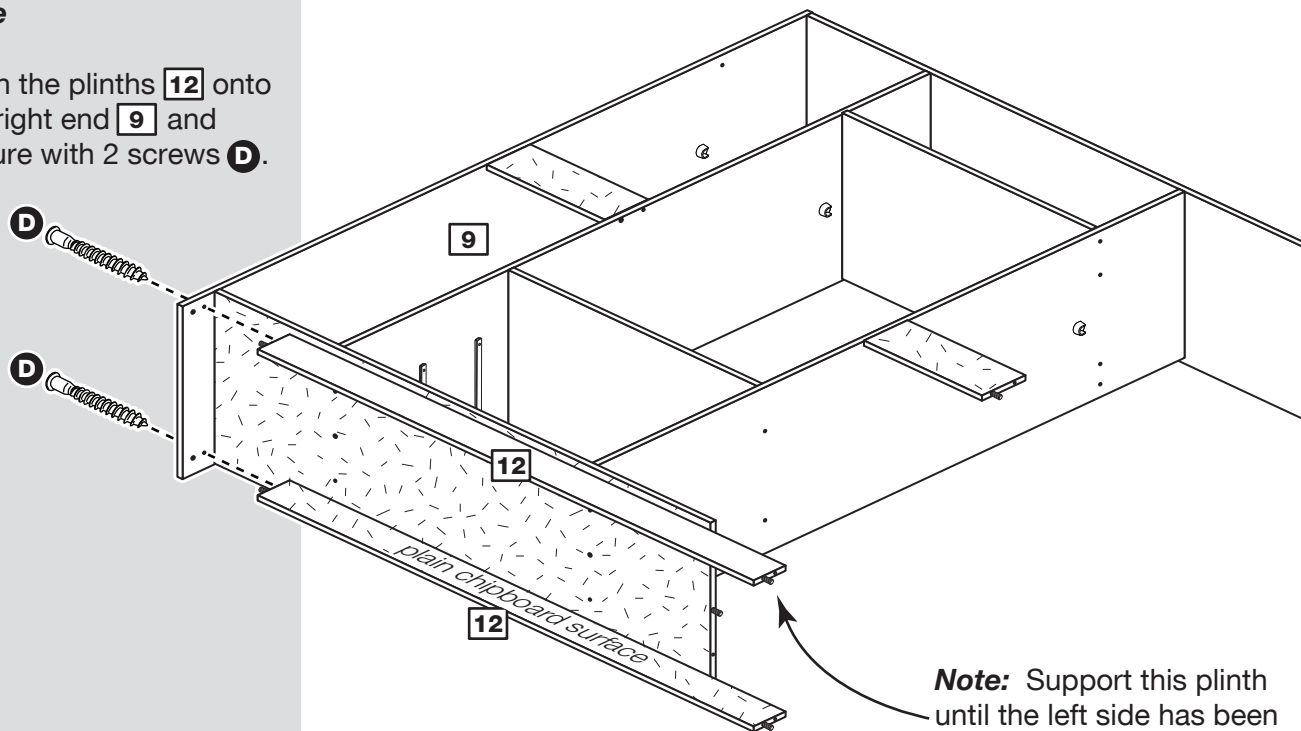
Assembly Instructions

Step 19

Fit the 2 plinths

2 people are needed here

Push the plinths **12** onto the right end **9** and secure with 2 screws **D**.

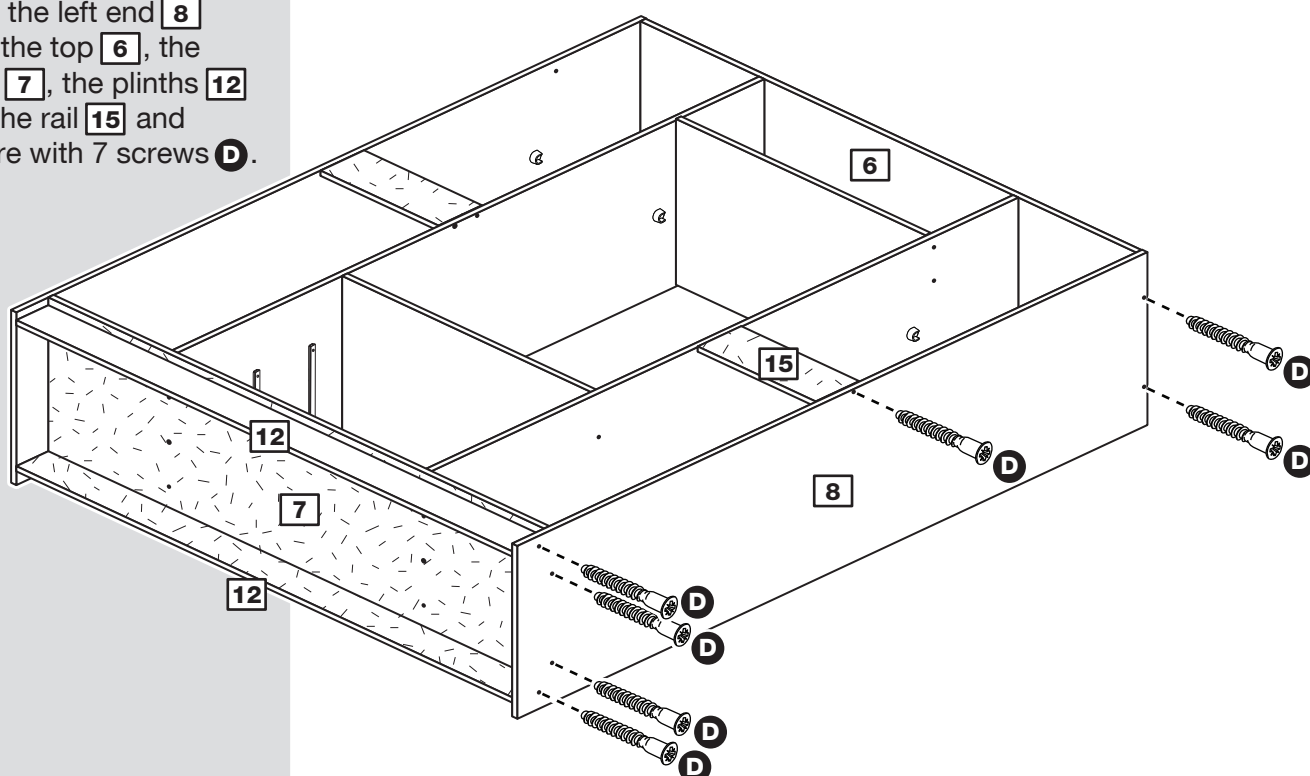


Note: Support this plinth until the left side has been fitted in the next step.

Step 20

Fit the left end

Push the left end **8** onto the top **6**, the base **7**, the plinths **12** and the rail **15** and secure with 7 screws **D**.



Assembly Instructions

Step 21

Fit the back panels

a: Square up the unit by making sure that measurement **x:x equals y:y**.

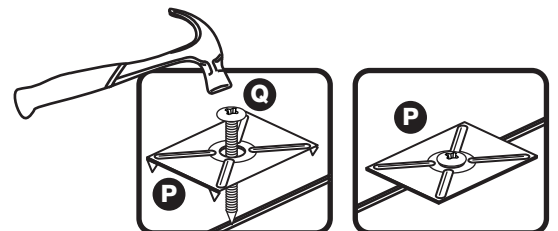
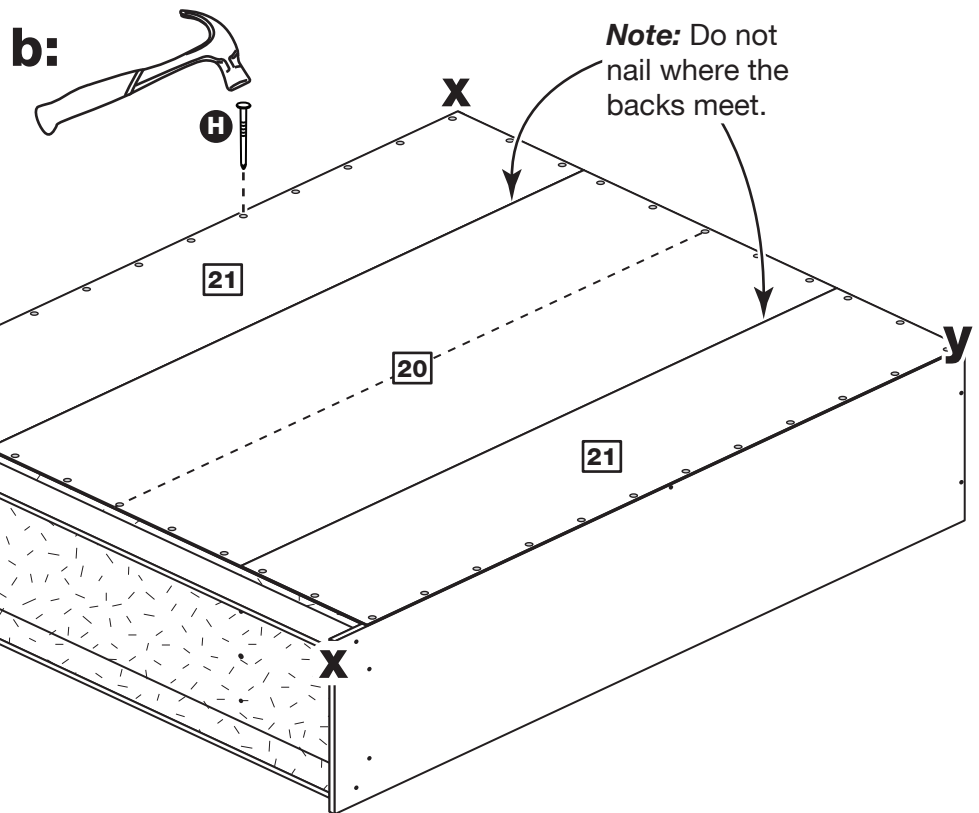
Place the large back **20** and the 2 small backs **21** down onto the unit as shown.

Make sure that the 3 backs are pushed up tight against each other and that they meet over the back edges of the dividers.

b: Nail **H** around the outside edges of the 3 backs.

Note: Do not nail where the backs meet. Nails should be spaced about 150mm apart.

a: The measurement from top corner X to bottom corner X must be equal to the measurement from top corner Y to bottom corner Y

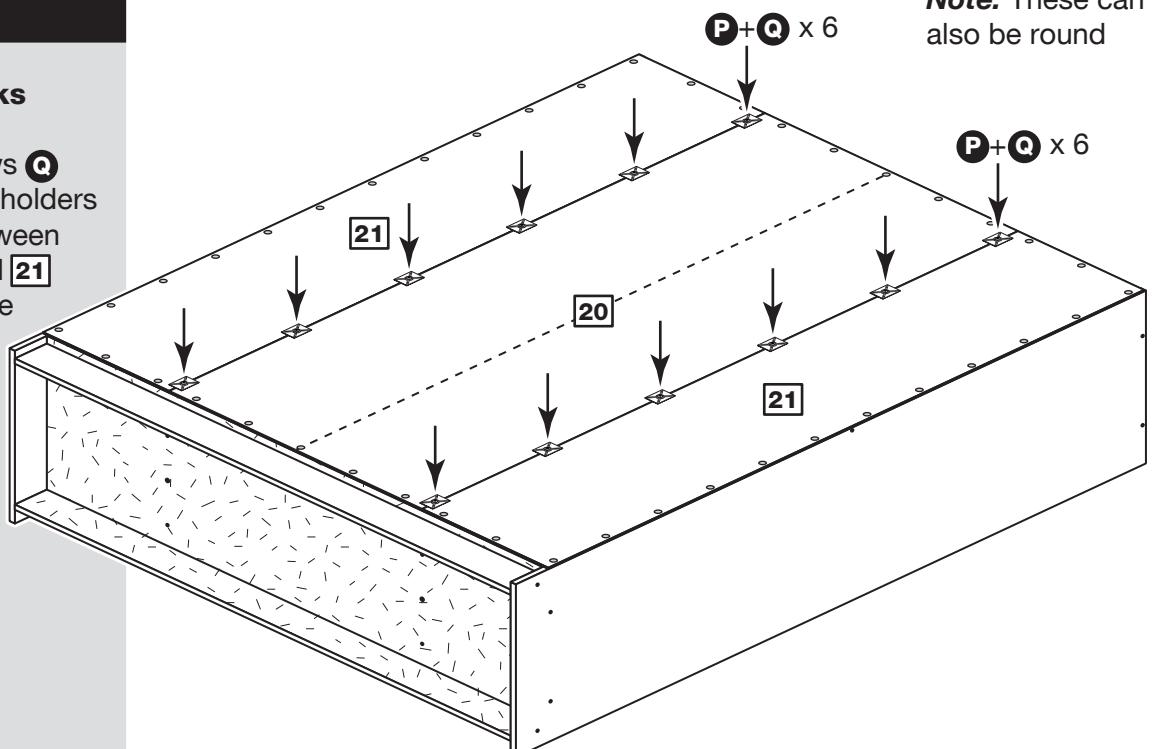


Step 22

Secure the backs

Tap the nail screws **Q** through the back holders **P** and down between the backs **20** and **21** into the back edge of the divider.

Keep tapping the nail screws **Q** in until the back holders **P** dig into the small and large back.



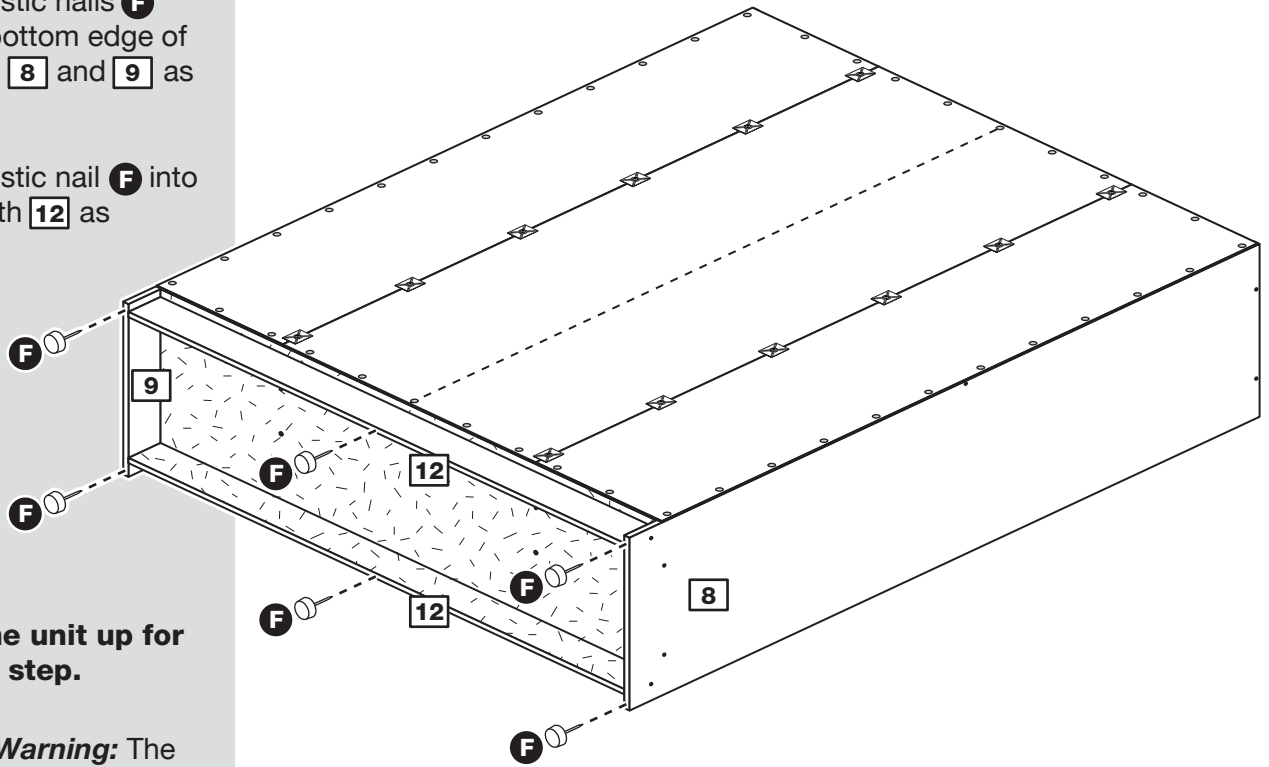
Assembly Instructions

Step 23

Fit the 4 plastic nails

Tap 2 plastic nails **F** into the bottom edge of each end **8** and **9** as shown.

Tap 1 plastic nail **F** into each plinth **12** as shown.



Stand the unit up for the next step.



Warning: The robe is heavy. Lift with care.

Assembly Instructions

Step 24

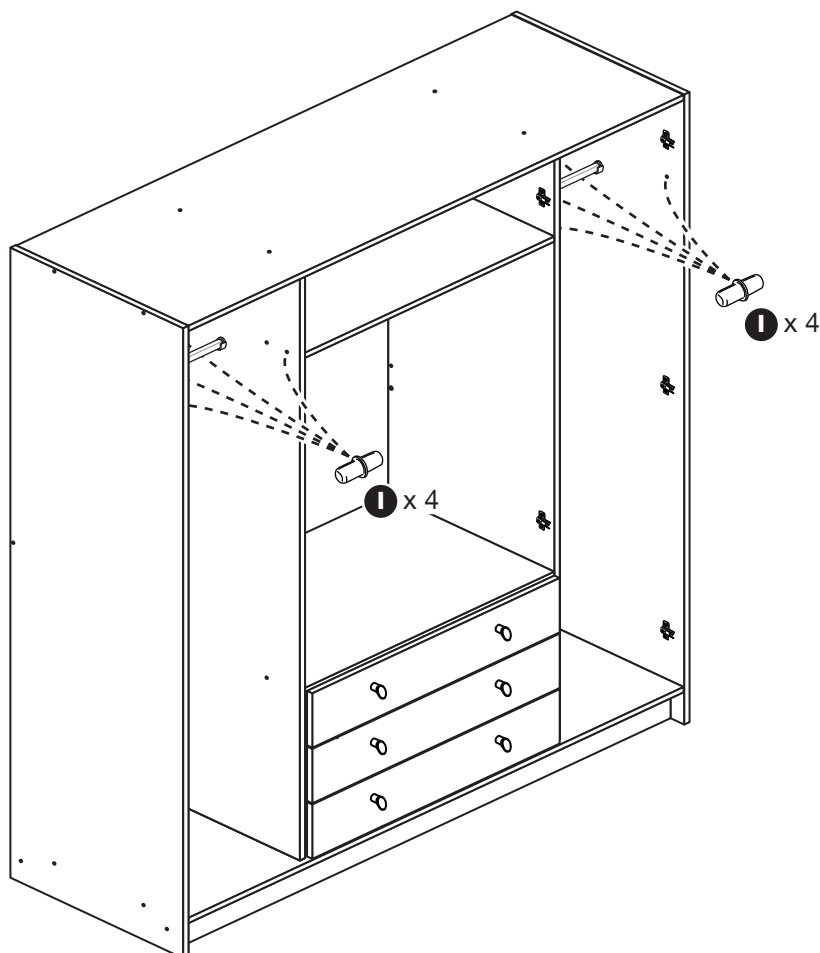
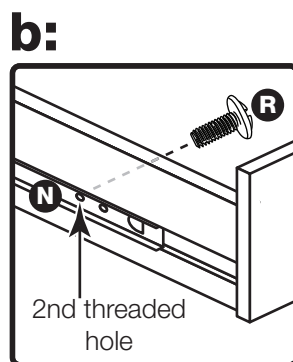
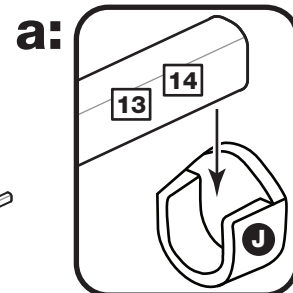
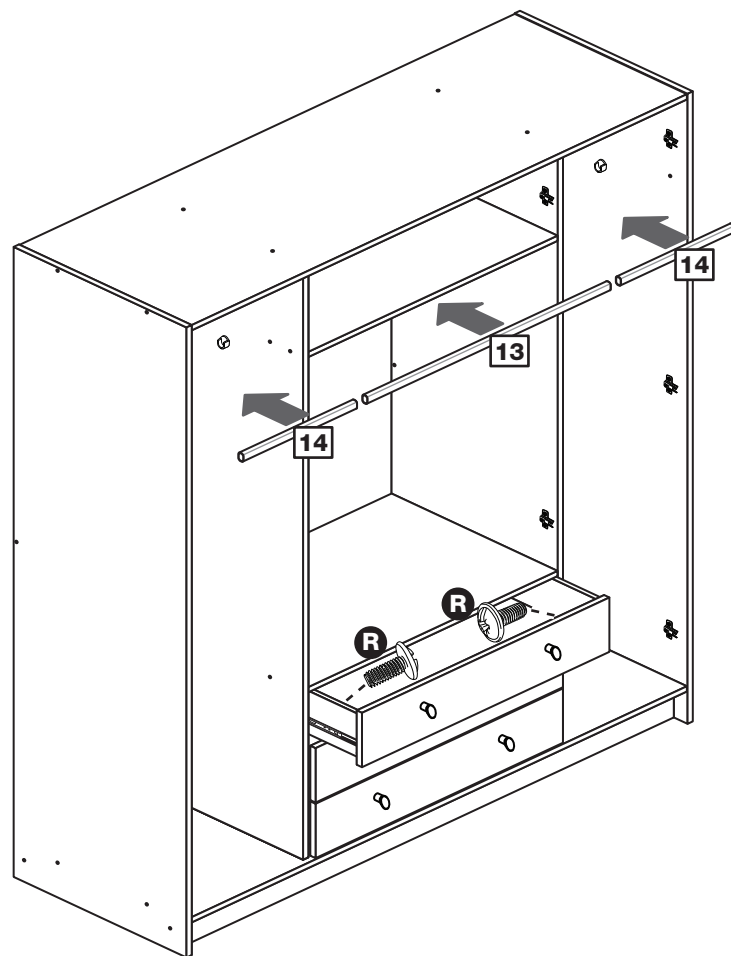
Fit the hanging rails and drawers

a: Push the long hanging rail **13** and 2 short hanging rails **14** into the rail holders **J**.

b: Starting with the bottom drawer, slide both the runners **N** forward and locate the drawer sides **2** and **3** between them, lining up the holes in the drawer wrap with the 2nd 'threaded' holes in the runners **N**.

Working from the inside of the drawer, insert 2 screws **R** through the drawer sides and out into the 2nd threaded hole in the runner.

Note: Do not overtighten the screws. If they catch on the runner you may need to loosen them slightly.



Step 25

Fit the shelf studs

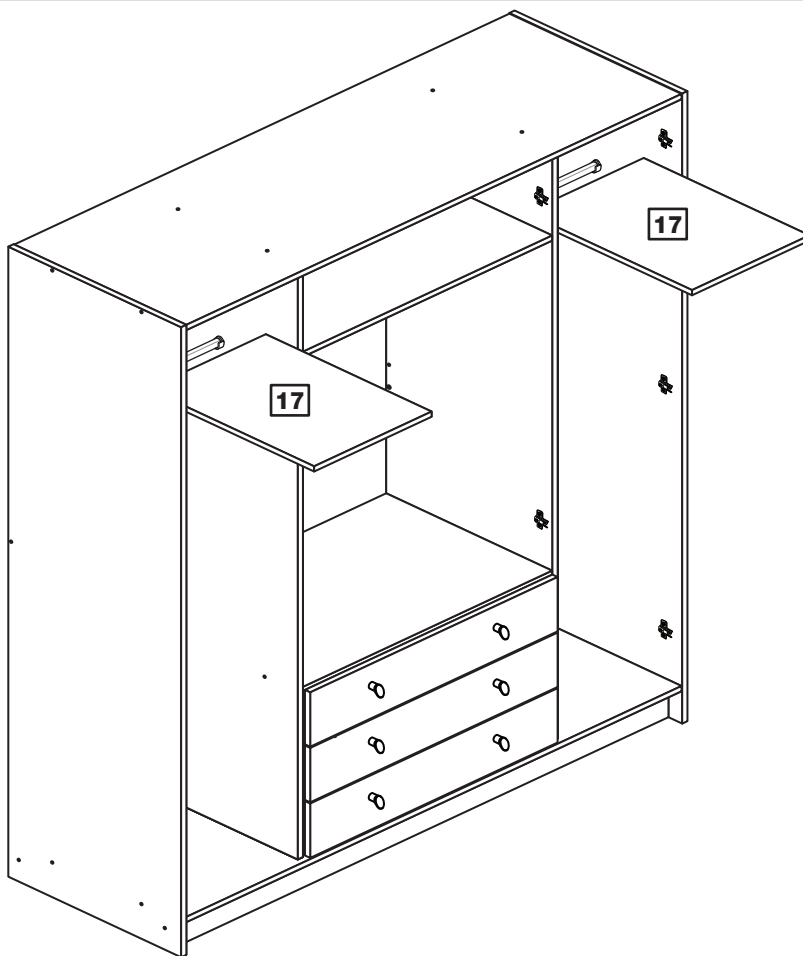
For each of the 2 loose shelves **17**, insert 4 shelf studs **I**.

Assembly Instructions

Step 26

Fit the loose shelves

Lower the 2 loose shelves **17** down onto the shelf studs **I**.



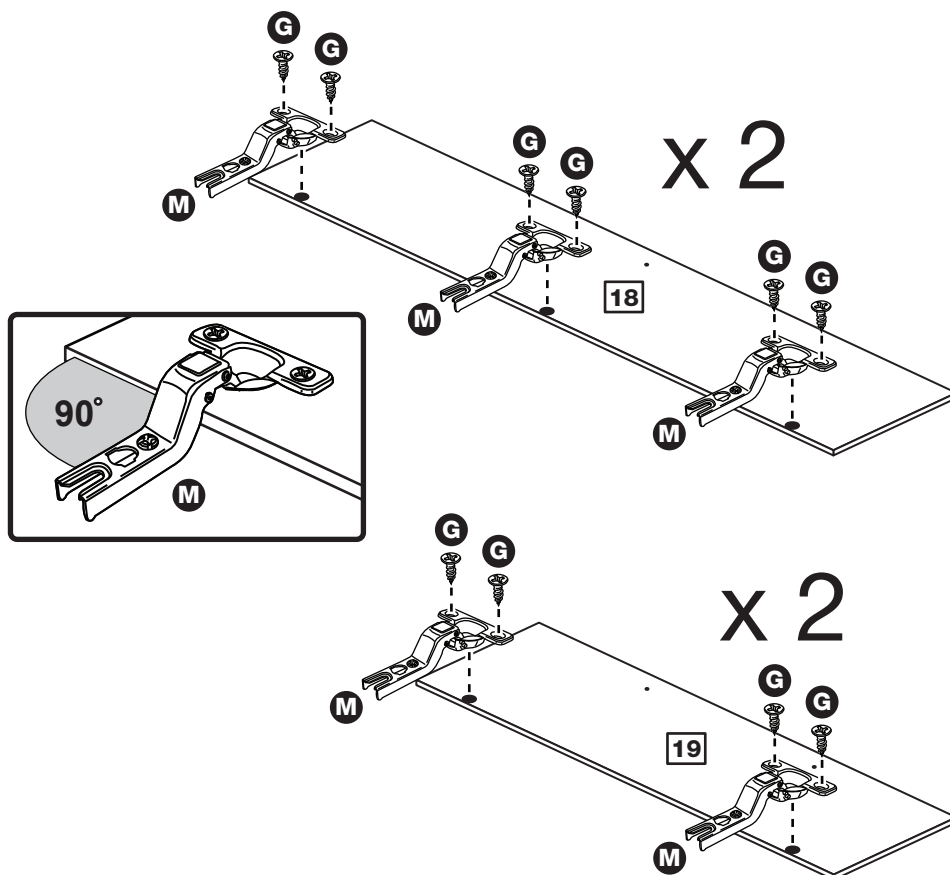
Step 27

Prepare the 4 doors

Push fit 3 hinges **M** into each large door **18** and 2 hinges **M** into each short door **19**.

Secure each hinge with 2 screws **G**.

Note: Before securing with the screws, make sure that the hinges are positioned at 90 degrees with the edge of the



Assembly Instructions

Step 28

Drill a handle hole in each short door

Important: Please follow these instructions carefully.

Lay the 2 short doors **19** down onto a smooth surface.

Check that the hinges and holes are in the same place as the diagrams.

Note: We recommend the use of a small piece of waste wood, placed behind the hole while drilling, to reduce the possibility of any breakout.

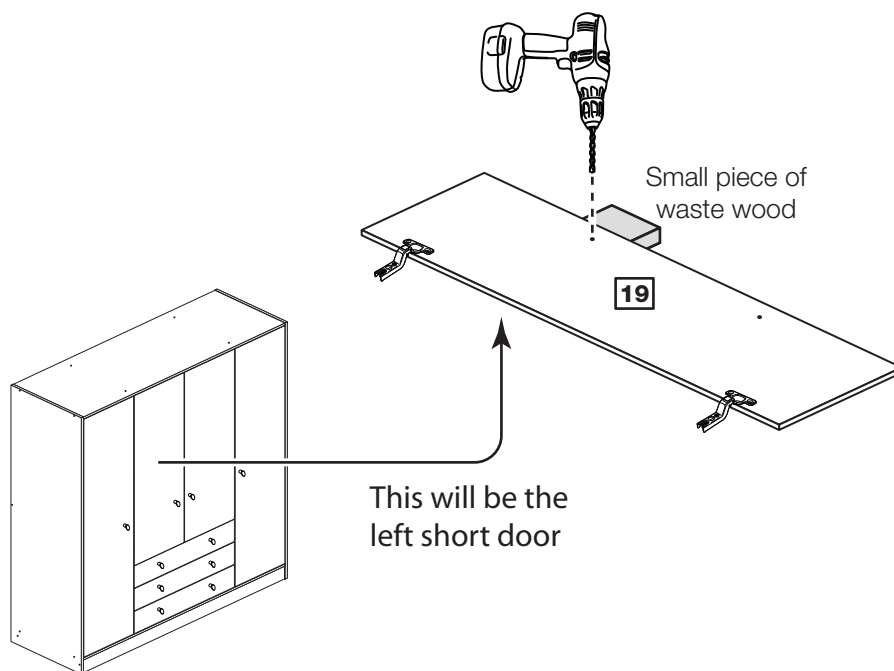
Using the pilot hole in the rear face of the door, drill through the hole indicated opposite, using a 2.5mm diameter drill.

Turn the door over and open out the 2.5mm hole that you have just drilled by drilling back through it with a 5mm drill.

IMPORTANT

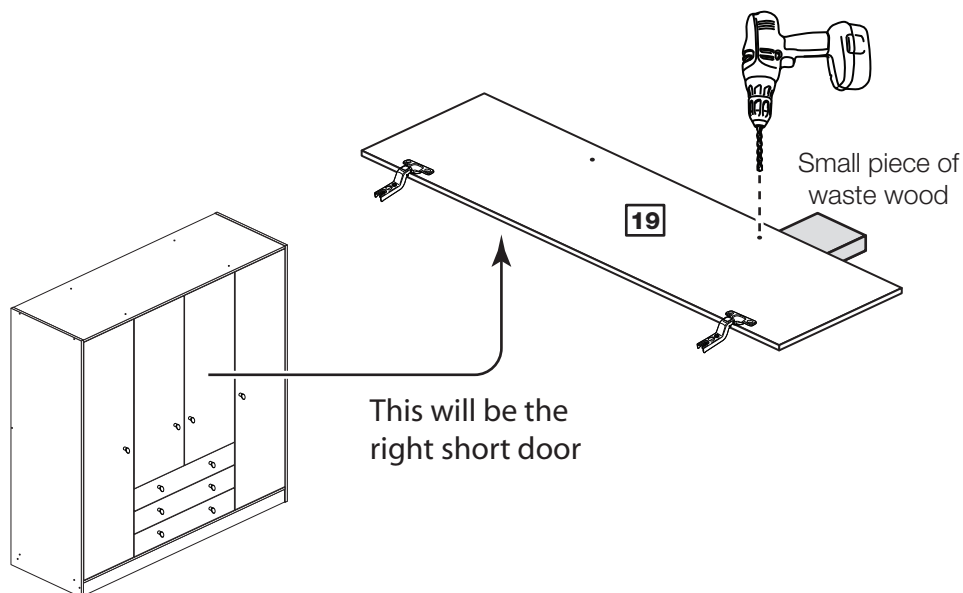
Carefully choose which hole you need to drill in each short door

ONLY drill this hole in 1 short door



This will be the left short door

ONLY drill this hole in 1 short door



This will be the right short door

Assembly Instructions

Step 29

Fit doors and handles

Note: The easiest way to attach each door **18** and **19** is to fit the top hinge first, then align and fit the other hinges.

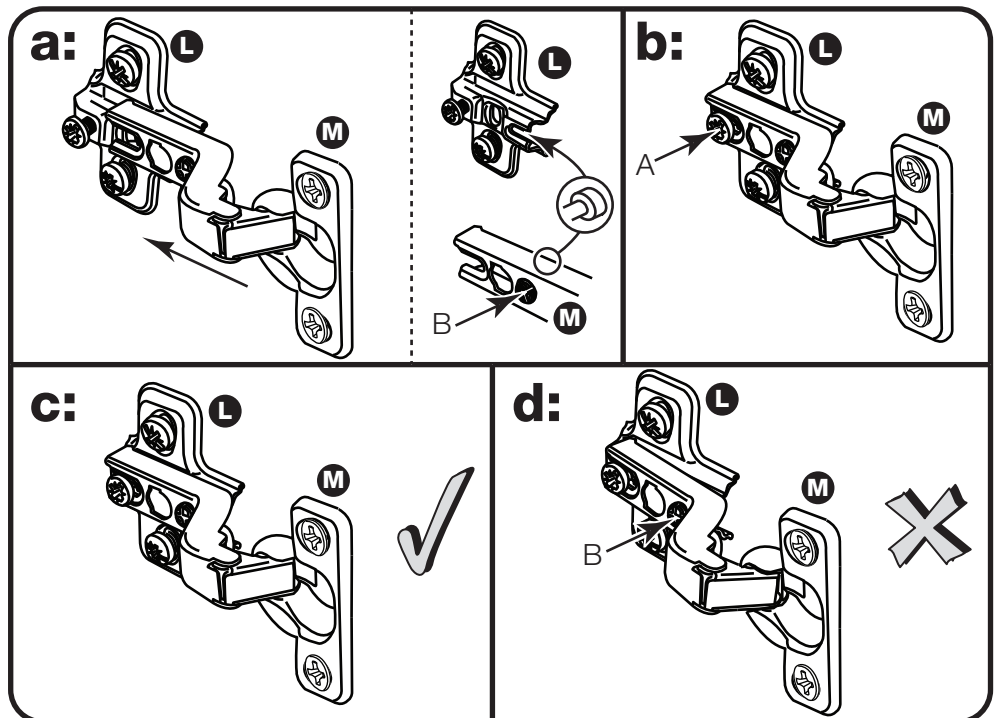
a: Push the hinge **M** onto the front part of the hinge plate **L**. The recess at the bottom of screw B goes into the slot in the hinge plate.

b: Keep the hinge **M** FLAT against the hinge plate **L** as you slide it across as far as it will go. Tighten screw A.

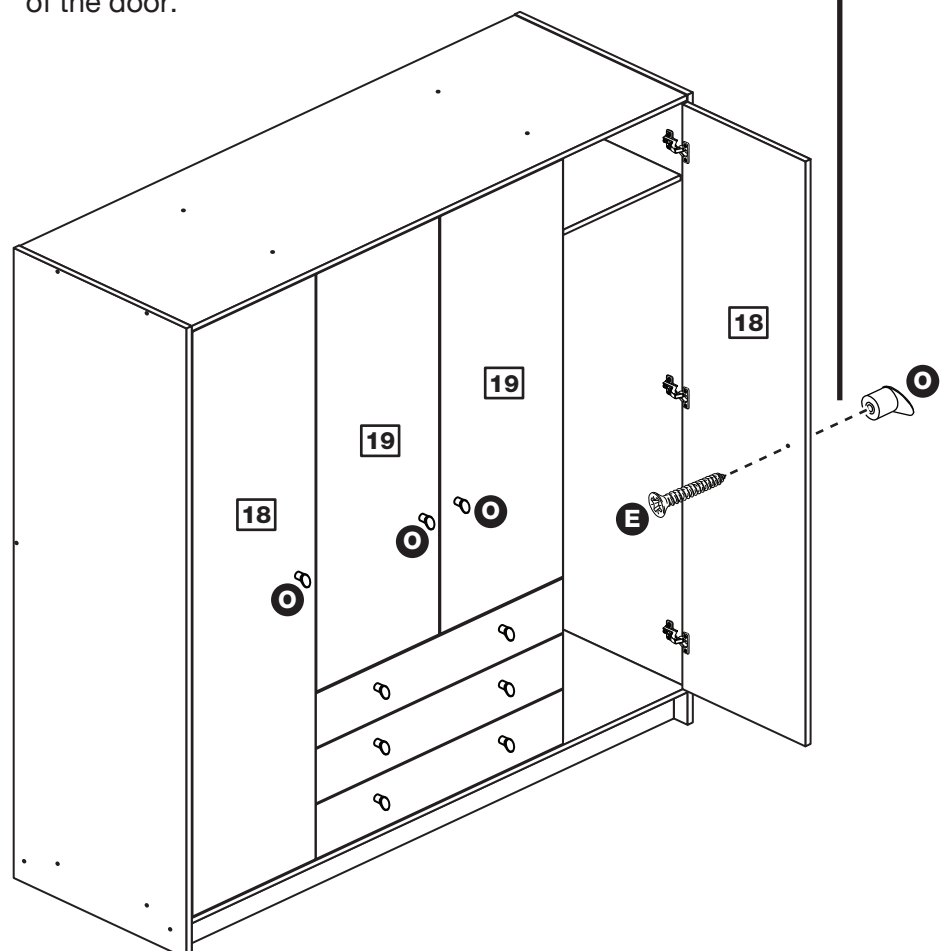
c: The hinge **M** must be flat against the hinge plate **L** prior to any adjustment.

d: The hinge **M** must NOT be AT AN ANGLE to the hinge plate **L** when assembled. This would indicate that the recess at the bottom of screw B had not located in the slot in the hinge plate and the hinge would not be secure. Remove the hinge from the hinge plate and then re-assemble being careful to follow instructions a-c.

e: Attach a handle **O** to each door **18** and **19** using screws **E**.



Note: When fitting the short doors, make sure that the handle hole you had to drill is nearest to the bottom of the door.



Assembly Instructions

Step 30

Adjust the doors if needed

a: Before adjusting the doors, use a spirit level to check the base (or top) of the unit is level, front-to-back and side-to-side in the 3 positions shown. Use suitable packing pieces (not supplied) to make the unit level BEFORE making any adjustment to the hinges, as shown.

b: Height adjustment.

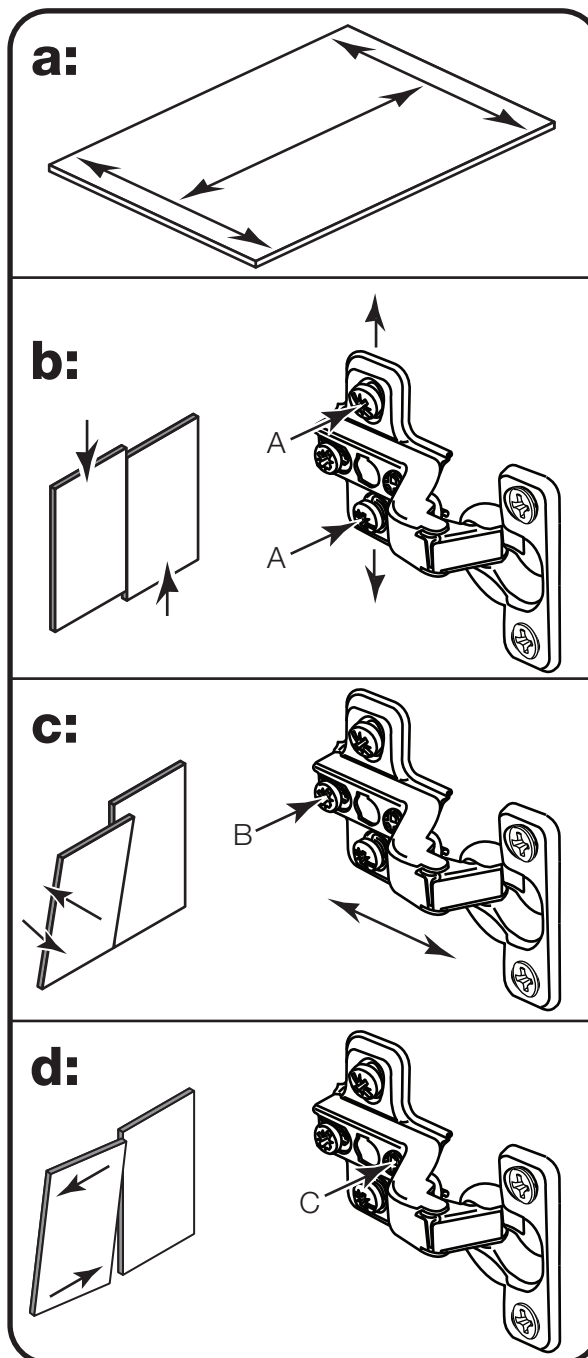
Loosen screws A on hinge plates and move door up or down as required. Retighten screw A.

c: Forward and Back adjustment.

Loosen screw B on hinge plate and move door in or out as required. Retighten screw B.

d: Sideways adjustment.

To move door 'out' loosen screw C. To move door 'in' tighten screw C.



Assembly Instructions

Step 31

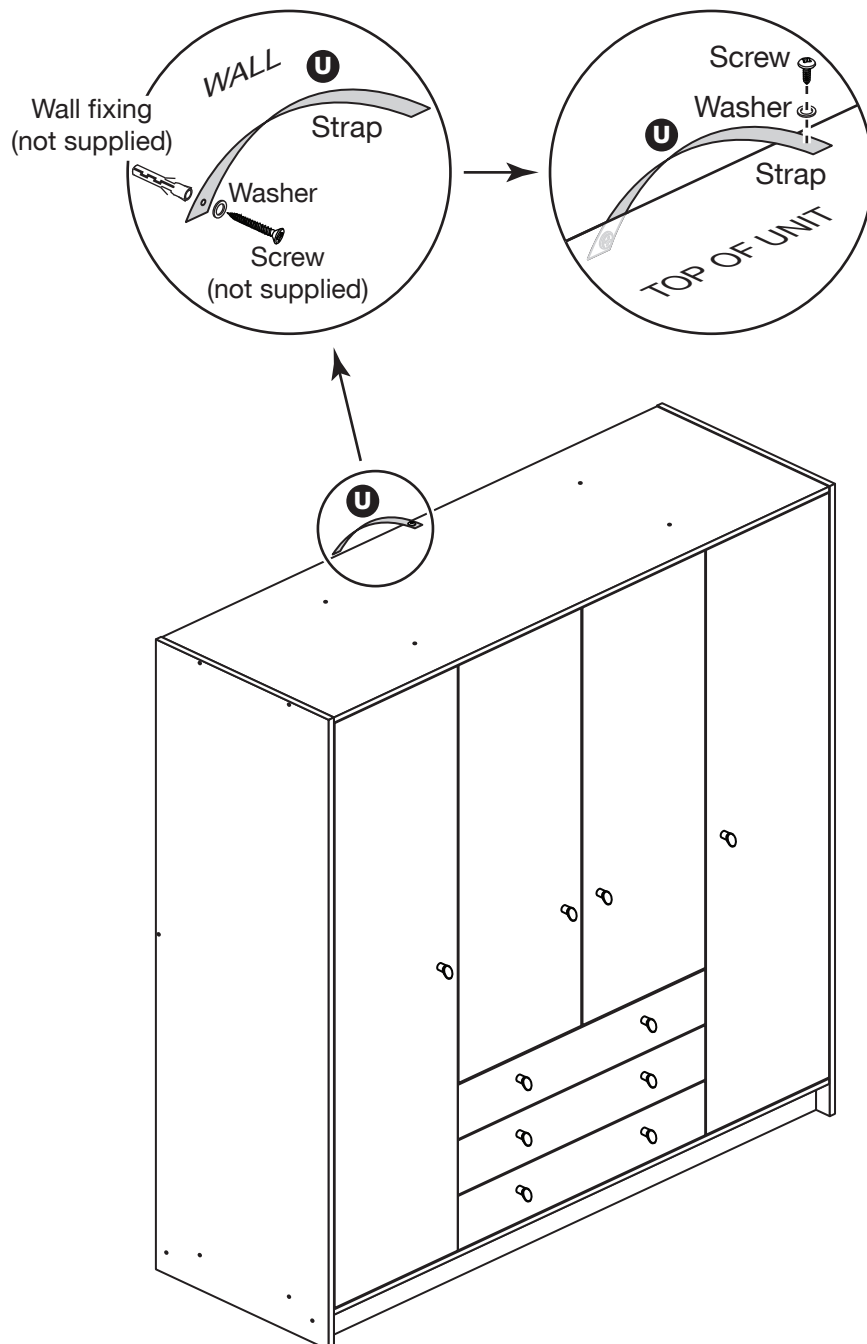
Fit the overbalance protector kit

To prevent possible overbalancing we recommend that this unit is secured to a suitable wall by fitting of the overbalance protector kit **U** to the unit, or an alternative fixing method of your choice.

Wall fixings are not supplied as they will need to suit the wall type.

Note: Take care when drilling the wall that you do not drill into any pipes, wires etc. If in doubt, consult an expert.

Assembly is complete



If you need help or have damaged or missing parts, call the Customer Helpline: 03456 400800 and quote the reference numbers on the component pages.

Argos Ltd, 489-499 Avebury Boulevard, Central Milton Keynes, MK9 2NW

