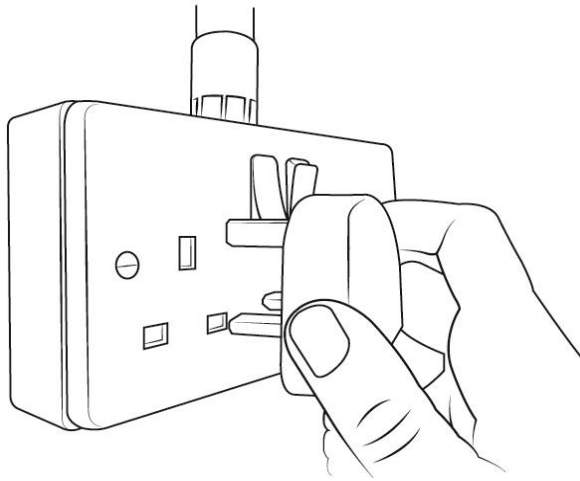


# INSTALLATION

- Place the oven as far away from radios and televisions as possible. Using the oven may cause interference with the reception.
- Plug the oven into a suitable 13 amp mains socket, make sure the voltage is the same as on the rating label (do not use extension cables or mains socket adaptors.)



- The built-in cabinet should not have a rear wall behind the appliance. Minimum installation height is 85cm.
- Measure the opening for the microwave and remove all loose items, like the turntable, from the microwave
- Do not cover ventilation slots and air intake points.



**Russell Hobbs**

For Customer Services & Spare Parts please call **0345 209 7461**  
Opening times: Monday - Friday 8am – 8pm & Saturday 9am – 1pm  
Or visit us at **[www.productcare.co.uk](http://www.productcare.co.uk)**

# INSTALLATION

**Important note:**

**This appliance must be correctly installed by a suitably qualified person, strictly in accordance with the manufacturer's instructions**

**Important note:**

**The manufacturer declines any responsibility for injury or damage, to a person or property, as a result of improper use of installation of this appliance.**

**Important note:**

**Heat, steam and moisture will be created during use of the appliance, take care to avoid injury and ensure that the room is adequately ventilated. If the appliance is going to be used for a prolonged period of time, then additional ventilation may be required.**

**Important note:**

**Please consult with a qualified installer if you are in any doubt about the ventilation that you will require.**



**Russell Hobbs**

For Customer Services & Spare Parts please call **0345 209 7461**  
Opening times: Monday - Friday 8am – 8pm & Saturday 9am – 1pm  
Or visit us at **[www.productcare.co.uk](http://www.productcare.co.uk)**

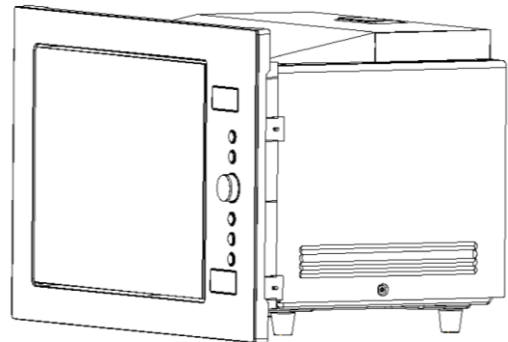
# INSTALLATION

## Installation components

SCREW



TRIM KIT PLASTIC COVER



Product dimensions (including frame kit)

Height: 388mm

Width: 594mm

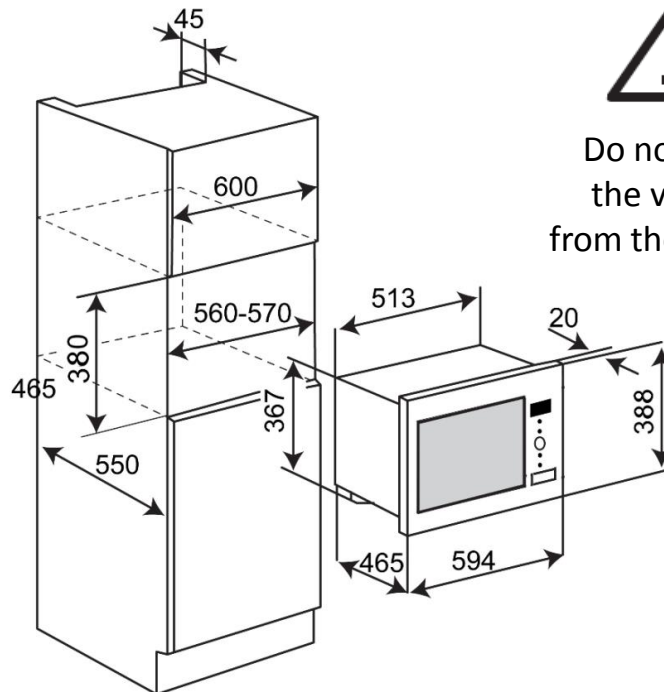
Depth: 467mm

Aperture dimensions

Height: 362mm

Width: 560 - 570mm

Depth: 550mm



Do not obstruct  
the ventilation  
from the microwave

### Important note:

**This appliance must be correctly installed by a suitably qualified person, strictly in accordance with the manufacturer's instructions.**



**Russell Hobbs**

For Customer Services & Spare Parts please call **0345 209 7461**

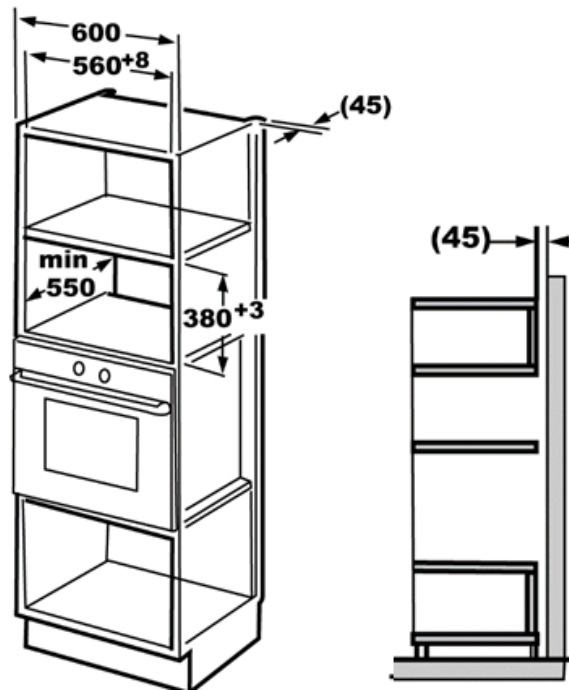
Opening times: Monday - Friday 8am – 8pm & Saturday 9am – 1pm

Or visit us at **[www.productcare.co.uk](http://www.productcare.co.uk)**

# INSTALLATION

## Aperture and ventilation requirements

- The diagram below shows the aperture and ventilation requirements that you require to build the appliance into a housing unit.
- Ensure that the rear panel of the furniture housing unit has been removed.
- This oven may be installed without any additional ventilation cut outs being made in the housing unit. However, the ventilation cut shown in the diagram **MUST** be present, otherwise the microwave oven may not function correctly.
- Do not cover the ventilation slots or air intake points.



All measurements are in millimetres (mm)



For Customer Services & Spare Parts please call **0345 209 7461**  
Opening times: Monday - Friday 8am – 8pm & Saturday 9am – 1pm  
Or visit us at [www.productcare.co.uk](http://www.productcare.co.uk)

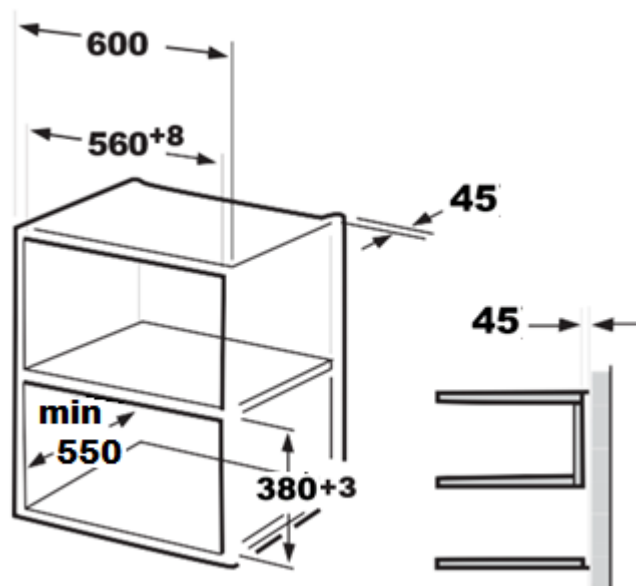
# INSTALLATION

## Built in under requirements

**Important: No other methods of building under the microwave are sanctioned by the manufacturer**

- The rear wall of the housing unit **MUST** be removed to allow there to be the correct amount of ventilation
- The ventilation gaps below the support shelf and below the worktop must be adhered to.
- An induction hob **MUST NOT** be fitted above the microwave.
- It is not necessary to have a storage drawer fitted underneath the microwave: this is shown purely as an example in the drawing above.

**Warning: the microwave will get hot during operation: care should be taken not to accidentally come into contact with the outer surface.**



**All measurements are in millimetres (mm)**



**Russell Hobbs**

For Customer Services & Spare Parts please call **0345 209 7461**

Opening times: Monday - Friday 8am – 8pm & Saturday 9am – 1pm

Or visit us at **[www.productcare.co.uk](http://www.productcare.co.uk)**

# INSTALLATION

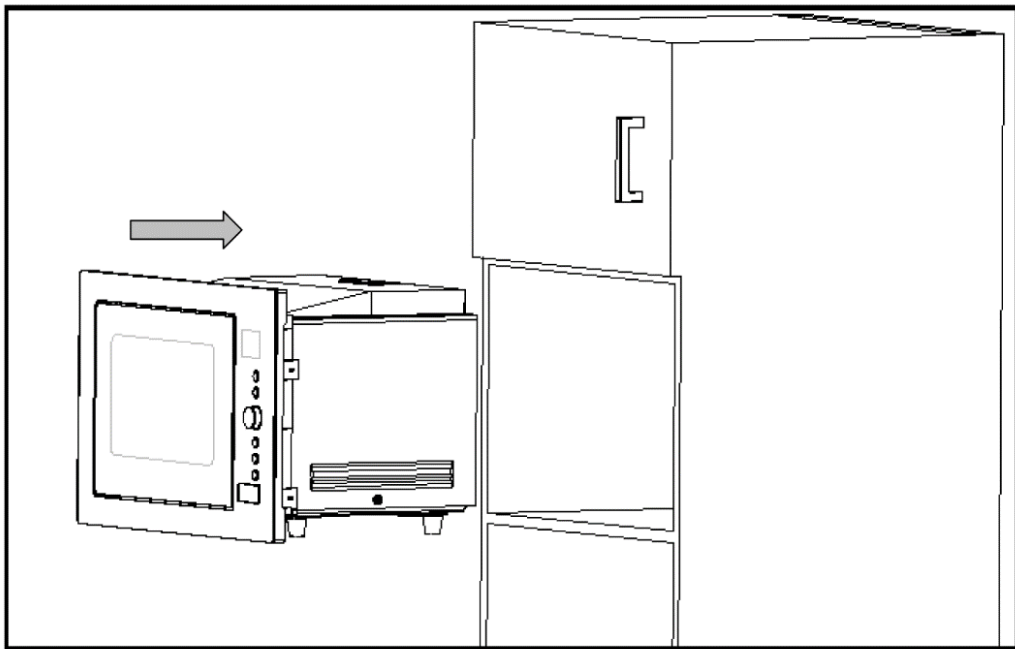
## Prepare the cabinet

### Step 1

Place the microwave into the housing unit and push the microwave fully into the housing unit

Push the microwave fully into the housing unit

**Important: do not trap or kink the power cord and make sure that the oven is installed in the centre of the cabinet.**



**Russell Hobbs**

For Customer Services & Spare Parts please call **0345 209 7461**  
Opening times: Monday - Friday 8am – 8pm & Saturday 9am – 1pm  
Or visit us at **[www.productcare.co.uk](http://www.productcare.co.uk)**

# INSTALLATION

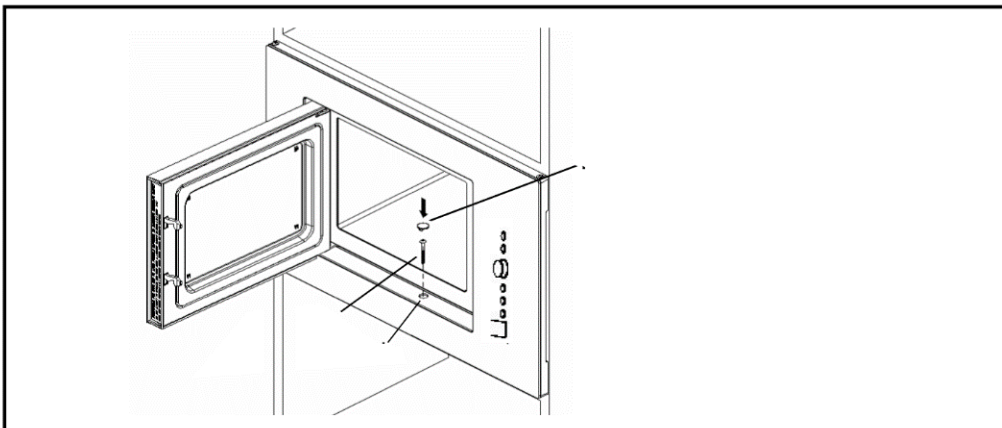
## Step 2

Open the door and fit the oven to the housing unit with the SCREW at the INSTALLATION HOLE of TRIM KIT.

**Important: Do not push the microwave fully into the housing unit, as you still need to be able to access ADJUSTMENT SCREW A at this stage; adjust the height of ADJUSTMENT SCREW A to keep a 1mm gap between ADJUSTMENT SCREW A and the underneath of the top surface of the housing unit.**

Push the microwave fully into the housing unit

**Important: do not trap or kink the power cord and make sure that the oven is installed in the centre of the cabinet.**



## Step 3

Fit the TRIM-KIT PLASTIC COVER over the INSTALLATION HOLE.

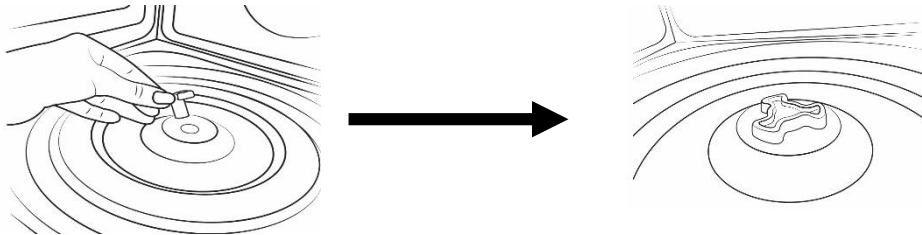


For Customer Services & Spare Parts please call **0345 209 7461**  
Opening times: Monday - Friday 8am – 8pm & Saturday 9am – 1pm  
Or visit us at **[www.productcare.co.uk](http://www.productcare.co.uk)**

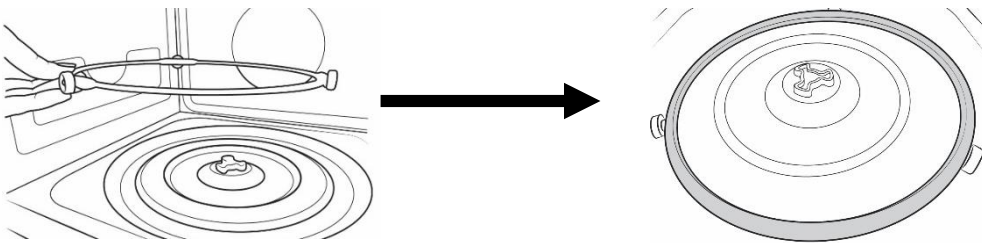
# INSTALLATION

- Before first use, check that any securing tape and all packaging has been removed from the glass tray and turntable ring assembly.
- **These parts must never be restricted from rotating.**
- Never place the glass tray upside down.
- To assemble the turntable, follow the steps below in number order.

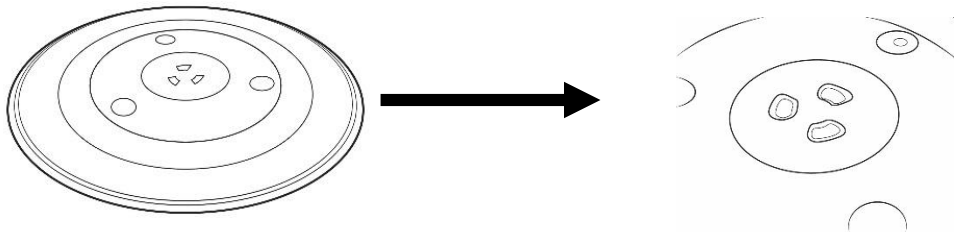
**STEP 1)** The turntable coupling should slot into the centre of microwave



**STEP 2)** The turntable ring slots into the indents in the microwave base



**STEP 3)** The glass tray should align with the turntable coupling



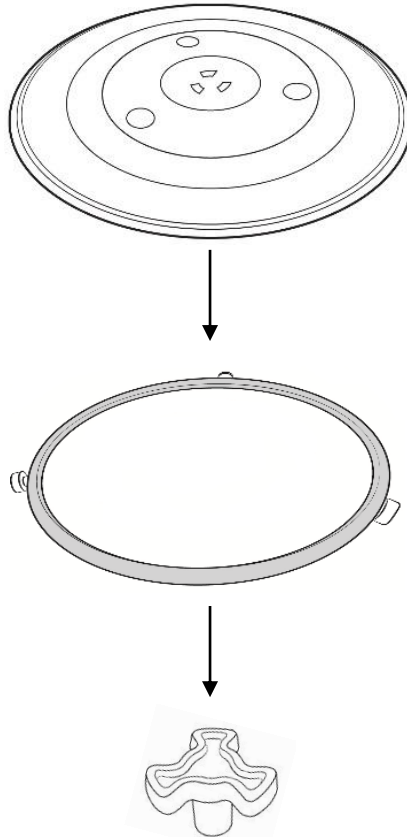
**Russell Hobbs**

For Customer Services & Spare Parts please call **0345 209 7461**  
Opening times: Monday - Friday 8am – 8pm & Saturday 9am – 1pm  
Or visit us at **[www.productcare.co.uk](http://www.productcare.co.uk)**



# INSTALLATION

The glass tray, turntable ring, and turntable coupling assembly must always be used during cooking (as shown below).



- Do not place the food directly onto the glass tray, always place on or in suitable microwaveable cookware.

**Please check that crockery is microwave safe before using.**

- If the glass tray or turntable ring assembly has been damaged in any way, contact Product Care using the below:



**Russell Hobbs**

For Customer Services & Spare Parts please call **0345 209 7461**  
Opening times: Monday - Friday 8am – 8pm & Saturday 9am – 1pm  
Or visit us at **[www.productcare.co.uk](http://www.productcare.co.uk)**