



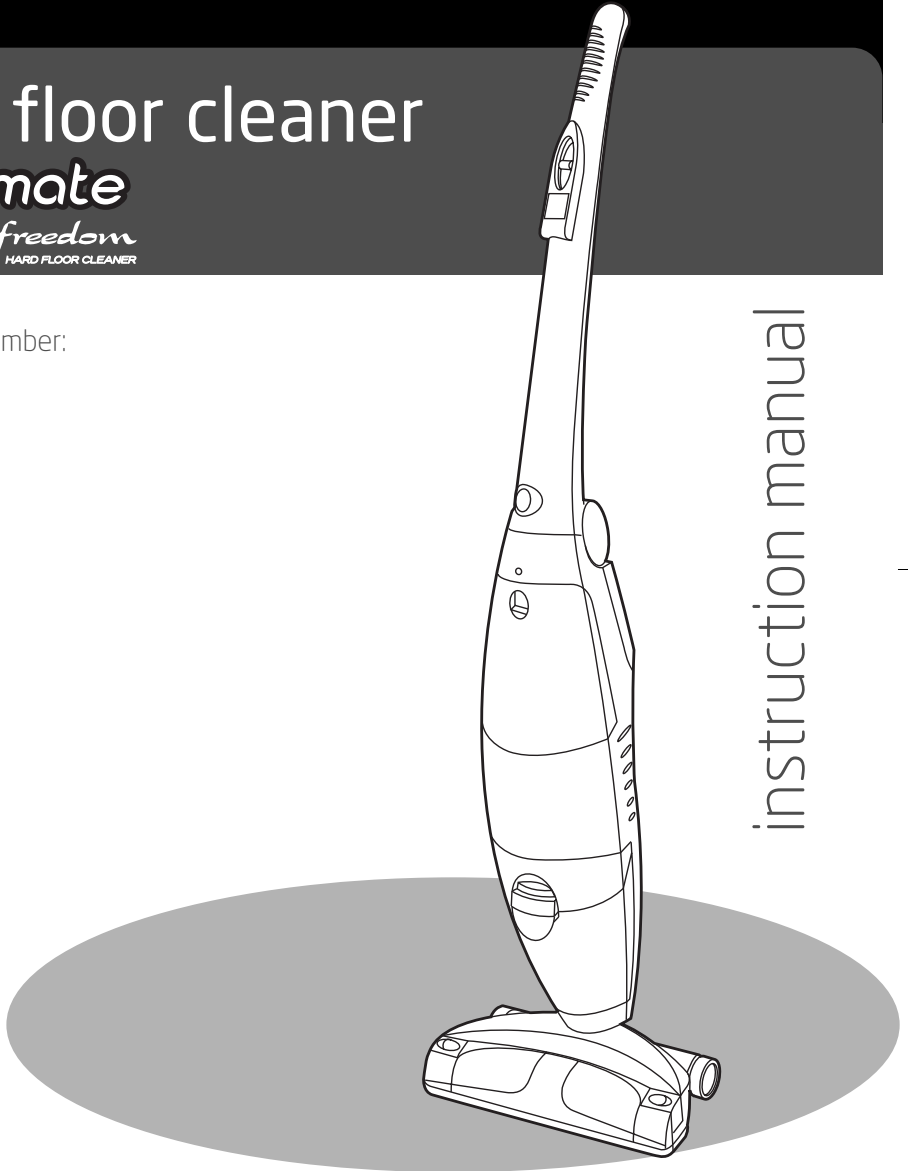
Vax careline  
0870 6061248

# Hard floor cleaner

## *Floormate*

*freedom*  
HARD FLOOR CLEANER

Vax model number:  
V-122



instruction manual

[www.vax.co.uk](http://www.vax.co.uk)

Please read carefully before using this cleaner.  
Always fully extend the mains cable before use.  
Retain for future reference.

www.vax.co.uk

# 1. Diagram

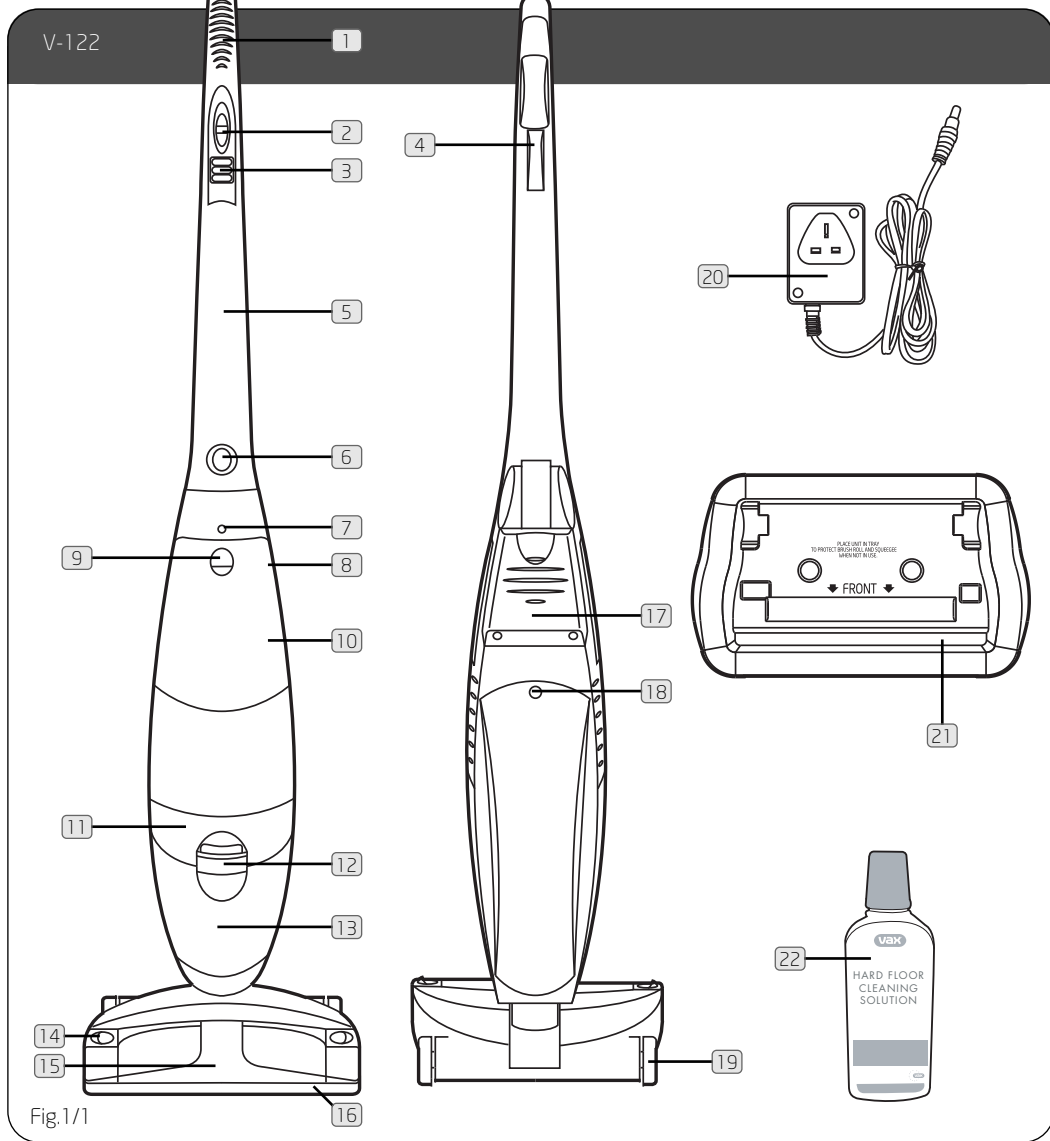


Fig.1/1

- |                           |                                    |                                 |
|---------------------------|------------------------------------|---------------------------------|
| 1 Hand grip               | 9 Clean water tank release         | 17 Battery compartment          |
| 2 Mode selector switch    | 10 Clean water tank                | 18 Battery charger socket       |
| 3 Mode indicator          | 11 Dirty water tank lid and filter | 19 Soft tread wheels            |
| 4 Solution trigger        | 12 Dirty water tank release        | 20 Battery charger              |
| 5 Handle                  | 13 Dirty water tank                | 21 Storage tray                 |
| 6 Handle release button   | 14 Nozzle release buttons          | 22 Hard floor cleaning solution |
| 7 Battery indicator light | 15 Nozzle                          |                                 |
| 8 Clean water tank cap    | 16 Squeegee                        |                                 |

## 2 parts overview

## 2. Safety Information

### FOR HOUSEHOLD USE ONLY.

When using the vacuum cleaner, basic safety precautions should always be observed, including the following:

1. Do not leave the hard floor cleaner unattended for long periods of time when charging.
2. Do not use outdoors.
3. Not to be used as a toy. Children should be supervised to ensure that they do not play with the appliance.
4. This appliance is not intended for use by persons (including children) with reduced physical, sensory or mental capabilities, or lack of experience and knowledge, unless they have been given supervision or instruction concerning the use of the appliance by a person responsible for their safety.
5. Use only as described in this manual.
6. Do not use with a damaged cord or charger. If the supply cord and/or charger is damaged, they must be replaced by the manufacturer, a Vax Service Agent or similarly qualified persons in order to avoid hazard.
7. Do not pull or carry the charger by the cord, use the cord as a handle, allow the cord to come into contact with hot or sharp surfaces or close a door on the cord.
8. Do not unplug by pulling on the cord.
9. Do not handle the plug or hard floor cleaner with wet hands.
10. Do not put any objects into openings or operate with openings blocked, keep them free of anything that may reduce airflow.
11. Keep hair, loose clothing, fingers and all parts of the body away from openings and moving parts.
12. Do not use the hard floor cleaner on any glowing, burning or smoking particles.
13. Do not use without the clean and dirty water tanks in place.
14. Do not use the hard floor cleaner without the filter in place.
15. Do not use to pick up flammable or combustible liquids such as petrol, or use in areas where they may be present.
16. Keep the unit on the floor.
17. Do not attempt to remove blockages with sharp objects as they may cause damage.
18. Store indoors put away after use to prevent tripping accidents.

19. Using improper voltage may result in damage to the motor and possible injury to the user. The correct voltage is listed on the rating label.
20. To prevent dirty water from running into motor, do not hold the appliance upside-down or lay on its side. Use appliance in normal cleaning position.
21. Do not carry appliance while motor is running.
22. Only use the charger supplied with the unit.
23. Ensure the battery is removed before the appliance is disposed.
24. Dispose of the battery safely and in accordance with local authority guidelines.
25. The appliance must be disconnected from the mains supply when removing the battery.

**NOTE: The unit must be unplugged from the mains socket outlet after use, and before cleaning or maintaining the unit.**



**IMPORTANT: This unit is not intended for commercial use.**

**PLEASE KEEP THESE INSTRUCTIONS FOR FURTHER USE.**

www.vax.co.uk

## 3. Getting Ready to Wash

### Charging the Cleaner

With switch in OFF position, plug charger into electrical outlet. Firmly press charger end into battery charger socket, located on the back of the cleaner (Fig.3/1).

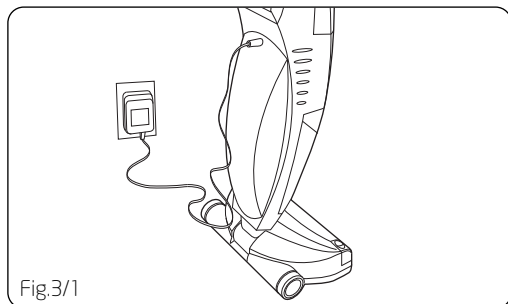


Fig.3/1

Press firmly on cleaner to ensure that end of cord is fully connected. Your cleaner will begin charging. It is designed to be stored on charge and ready for use at all times.

**NOTE:** Charge battery for 16 hours before initial use.

**NOTE:** It is normal for the charger to feel warm when the battery is charging. Never charge battery in temperatures above 37°C or below 0°C.

**NOTE:** Charging light illuminates red when cleaner is charging. When battery is at full charge, the charging light will illuminate green.

**NOTE:** The cleaner can be on a constant charge so it is always ready for use. Make sure it is in OFF position before charging. However, if the cleaner will not be used for several weeks at a time, unplugging it is recommended.

### Unfold Handle

Press the handle release button and raise handle to the upright position until it locks in place (Fig.3/2).

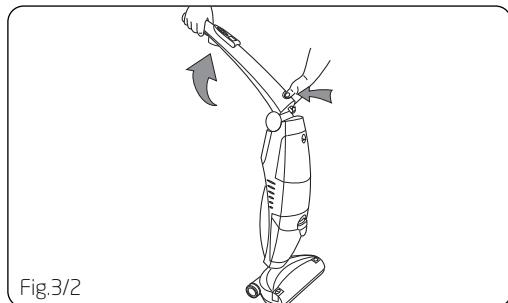


Fig.3/2

For storage, press the handle release button and fold handle to storage position (Fig.3/3).

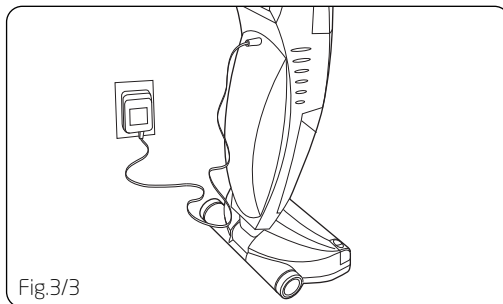


Fig.3/3

### Before you Begin Cleaning

Vacuum floor thoroughly.

**IMPORTANT:** Do NOT use the Vax Floormate as a dry vacuum cleaner.

Your Vax Floormate can be used to wet clean non-carpeted floor surfaces such as vinyl, tiles and wood.

**NOTE:** It is not intended for use on carpet or rugs.

**CAUTION:** To prevent damage to wood floors, follow the flooring manufacturer's cleaning recommendations. If using the cleaner on wood floors, inspect floor surface for worn finish, bare wood or separated joints. Do not use the Vax Floormate to wet wood floors if any of these conditions exist.

### Filling the Clean Water Tank

Place cleaner handle in upright, locked position.

To remove tank, press down on the clean water tank release button and pivot tank forward (Fig.3/4).

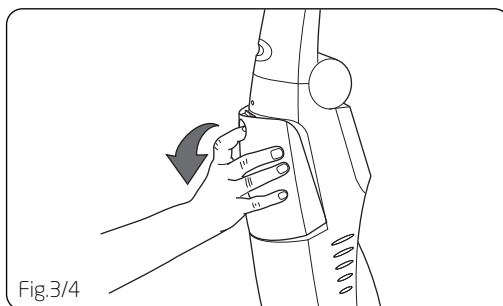


Fig.3/4

Rotate tank cap counter-clockwise and lift up to remove cap (Fig.3/5).

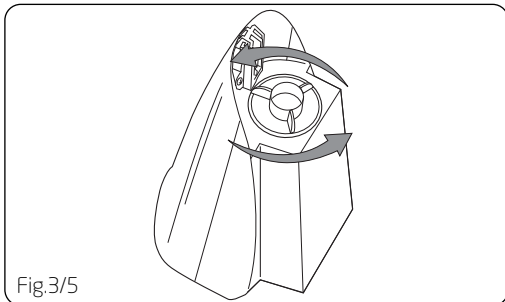


Fig.3/5

Turn cap upside down to serve as a measuring cup. 30ml of solution should be used for 1 litre of water. Therefore, half a cap of solution should be used to a full tank (Fig.3/6).

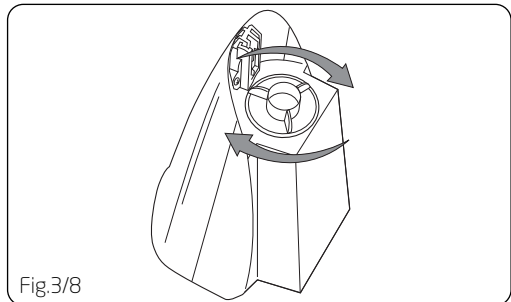


Fig.3/8

#### Automatic Shut-Off

An automatic suction shut-off is built into the dirty water tank to prevent the tank from overflowing.

When the dirty water tank is full, the automatic shut-off activates, and the cleaner will not pick up dirty solution and the sound of the motor will change.

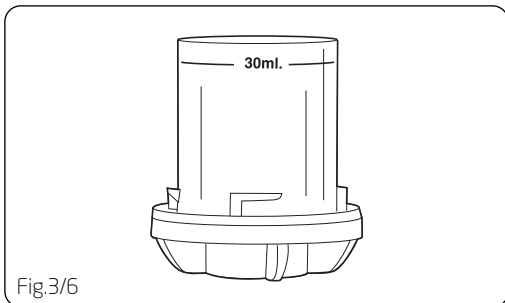


Fig.3/6

Vax floor cleaner has been specifically formulated to resist excessive foaming and other undesirable effects when used with the Floormate.

**!** **IMPORTANT: Do NOT use cleaning solutions that contain pine or solvent based ingredients.**

Pour cleaning solution into tank. Fill tank to fill line with warm water (Max 40°C) (Fig.3/7).

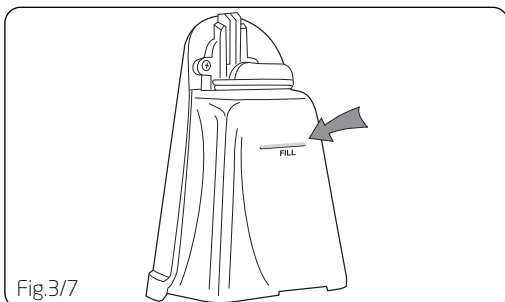


Fig.3/7

Replace cap. Rotate cap clockwise until it locks in place. Cap must be locked in place for proper performance and to prevent leaking (Fig.3/8).

## 4. Usage

### Mode Selector Switch

The switch has three positions (Fig.4/1).

**SCRUB** - The rotating brushbar is ON. Suction will be OFF.

**OFF** - The cleaner is turned OFF.

**PICK UP** - The rotating brushbar is OFF. The cleaner's suction will pick up the dirty solution.

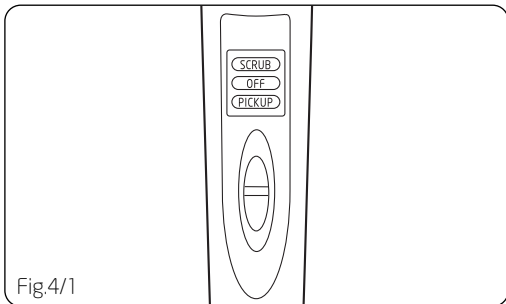


Fig.4/1

Before washing, thoroughly vacuum the floor.

Lower the handle to the operating position by pressing gently onto the front nozzle.

Set mode selector switch to SCRUB. This will turn the brushbar ON

To release solution, press the trigger (Fig 4/2).

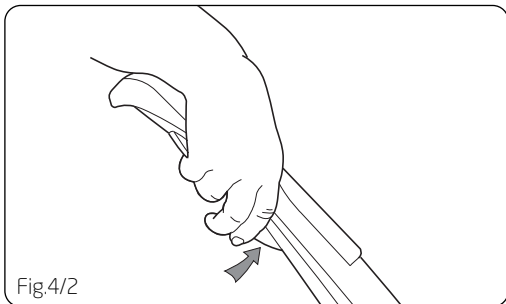


Fig.4/2

Slowly move the cleaner forwards and backwards over the area to be cleaned. Squeeze the trigger to release the solution as needed.

**NOTE: Overlapping strokes will help to prevent streaking.**

After area is cleaned, move the mode selector to PICKUP. This is turn the brushbar OFF and the unit will extract the excess water and solution from the floor.

**! IMPORTANT: Do not overwet flooring. Always ensure excess water and solution is extracted immediately after washing.**

To continue cleaning another area, move mode selector switch to SCRUB and repeat previous steps.

**NOTE: To extend battery charge, it is recommended that a small area be cleaned completely in SCRUB mode, then switch to PICKUP mode. Continue cleaning in small areas, scrubbing first followed by pickup.**

When switching between SCRUB and PICKUP, it is not necessary to turn the cleaner off. Simply move the mode selector switch back and forth between the two settings

### How to Empty

Turn cleaner off.

To remove tank, press down on release button and pivot tank forward (Fig.4/3).

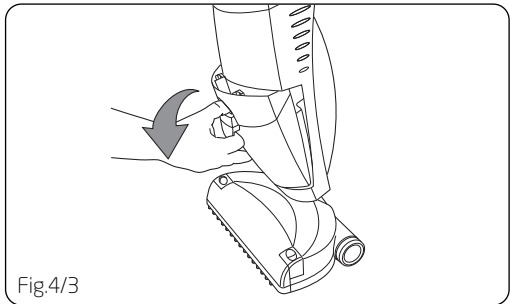


Fig.4/3

Press down on tank lid latch and remove the tank lid. Empty tank (Fig.4/4).

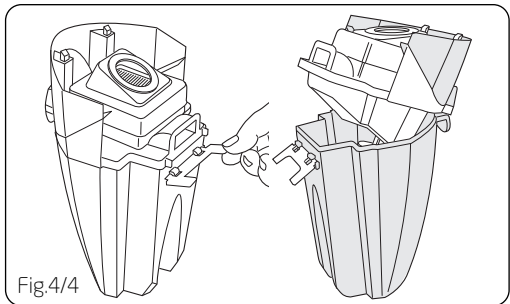


Fig.4/4

Dry or loose debris will also collect on the filter screen in the tank lid (Fig.4/5).

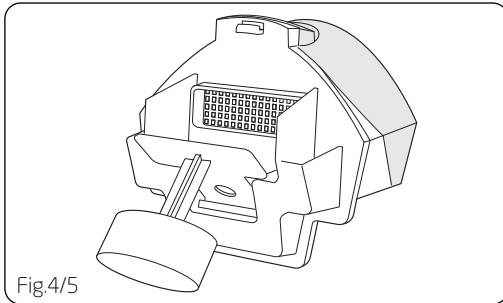


Fig.4/5

Remove debris from screen. The filter screen may also be cleaned by rinsing it under running water.

The tank lid contains a washable, reusable filter. Clean this filter when suction is low or reduced.

To replace lid, align tab on lid with hole on front of tank. Snap latch over tabs on back of tank (Fig.4/6).

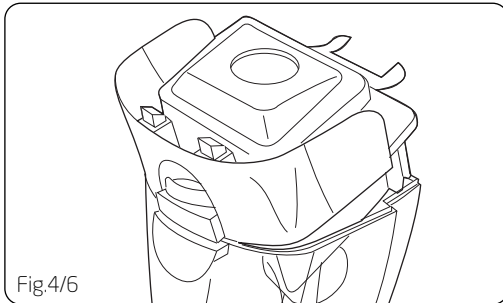


Fig.4/6

To replace tank, insert bottom of tank into cleaner and pivot top portion until it is locked in place.

## 5. Maintenance

### Battery Charging

The battery indicator has three colours.

- The indicator will be **SOLID ORANGE** when the unit is plugged into the charger and there is no charge left on the battery.
- The indicator light will be **SOLID GREEN** when the battery is at full charge, and the cleaner is plugged into the charger. During cleaner use, when the battery is low and there is approximately two minutes of run time left, the indicator light will flash.
- The indicator light will **BLINK RED** if the battery is low and the cleaner is not plugged into the charger.

The cleaner can be on a constant charge so it is always ready for use. However, if the cleaner will not be used for several weeks at a time, unplugging it is recommended.

Refer to Section 3 for battery charging instructions.

### Cleaning the Filter

Turn cleaner off.

Remove dirty water tank and lid (as Fig.4/3 - 4/4). Remove filter lid, then remove filter (Fig.5/1).

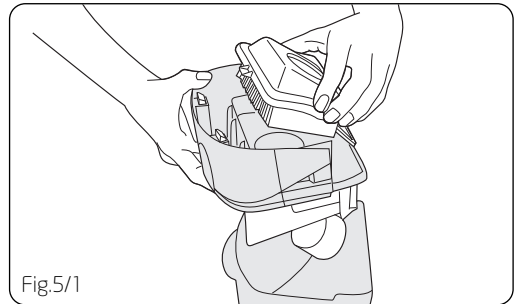


Fig.5/1

Remove loose debris from filter by either brushing or tapping the filter. The filter may also be rinsed (max water temperature 40°C) for additional clearing. Allow filter to air dry between uses.

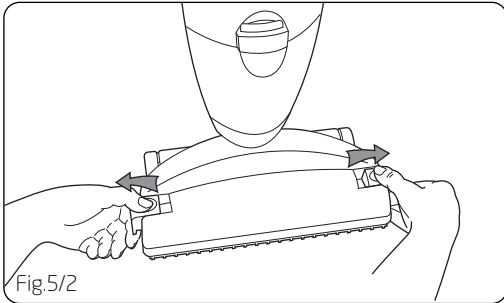
Replace filter lid. Press down firmly to secure the seal.

### Cleaning the Nozzle

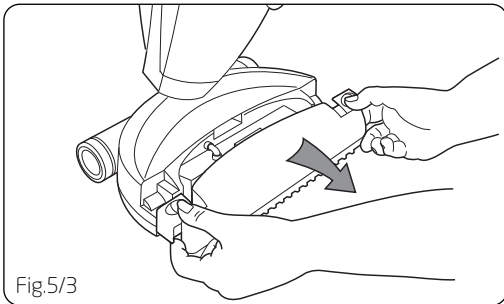
Turn cleaner OFF.

The cleaner's nozzle can be removed for easy cleaning.

Slide the two nozzle release latches outward (Fig.5/2).

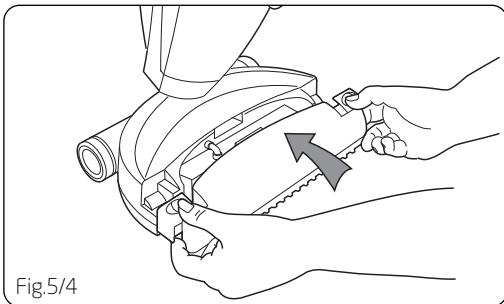


Remove nozzle by pulling straight out (Fig.5/2).



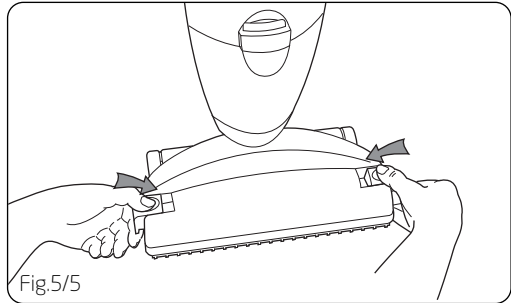
Rinse nozzle under running water. Remove debris from squeegee at the front of the nozzle and wipe with a damp cloth.

To replace nozzle, make sure latches are out. Cleaner should be in the upright position for easier assembly of the nozzle (Fig.5/4).



Align middle section of nozzle with opening on cleaner.

While holding nozzle in place, slide latches inward to lock in place (Fig.5/5).

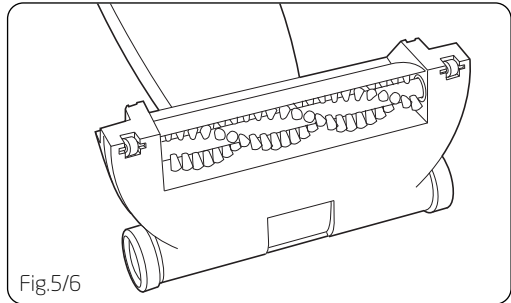


### Cleaning the Brushes

Turn cleaner off.

Remove tanks to prevent possible leaks. Set tanks aside.

Turn cleaner over so that the bottom is facing up. Carefully remove debris from the rotating brushbar (Fig.5/6).



**! WARNING:** Rotating brushbar can start suddenly. Extra care must be taken when cleaning the rotating brushbar.

**! CAUTION:** Any other servicing should be performed by a Vax Authorised Service Representative. The appliance has no user serviceable parts.

### Storage

Turn cleaner OFF. If battery needs charging, refer to the "Battery Charging" section on page 4.

Empty and rinse clean and dirty water tanks. Allow to air dry.

Allow filter in dirty water tank lid to dry.

Make sure that nothing is pressing on the nozzle squeegee.

Do not store cleaner on a wood surface unless cleaner is completely dry.



### Storage tray

A convenient tray provides storage of your cleaner and helps to protect the brushes and squeegee when not in use. Place the cleaner in the tray with the wheels in the recessed areas to the back and the nozzle to the front (Fig.5/7).

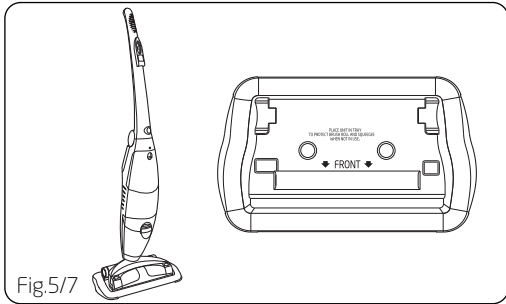


Fig.5/7

### Battery Failure

Please contact the Vax Helpline on 0870 606 1248 for information regarding battery removal, disposal and replacement.

**NOTE:** Do not attempt to remove the battery pack from the cleaner.

## 6. Troubleshooting

**⚠ WARNING:** To reduce the risk of personal injury, unplug the vacuum cleaner before performing maintenance or troubleshooting checks.

### **PROBLEM: Cleaner won't run**

**Cause:** Battery not charged.

**Solution:** Recharge battery ensuring that the cleaner is securely connected to the cord.

**Cause:** No electricity in the electrical outlet.

**Solution:** Check fuse or breaker.

**Cause:** Blown fuse/tripped breaker.

**Solution:** Reset circuit breaker or replace fuse.

### **PROBLEM: Cleaner won't pick up/loss of suction.**

**Cause:** Automatic shut-off activated.

**Solution:** Turn cleaner off and then on again or empty the dirty water tank (See page 6).

**Cause:** Filter or filter lid missing or not positioned correctly.

**Solution:** Ensure dirty water tank filter and filter lid are positioned in the dirty water tank lid.

**Cause:** Dirty water tank or clean water tank not positioned correctly.

**Solution:** Ensure both tanks are locked in place.

**Cause:** Filter is dirty.

**Solution:** Clean filter.

**Cause:** Nozzle not properly positioned.

**Solution:** Ensure nozzle is replaced properly and locked.

### **PROBLEM: Water puddling behind cleaner.**

**Cause:** Excess cleaning solution foaming in tanks.

**Solution:** Use only Vax Floor Cleaner.

**Cause:** Clean water tank not correctly installed.

**Solution:** Ensure tank is installed correctly.

**Cause:** Dirty water tank is full.

**Solution:** Empty tank.

### **PROBLEM: Cleaner does not pick up dirty solution.**

**Cause:** Cleaner not set to PICKUP.

**Solution:** Set mode selector switch to PICKUP.

**Cause:** Dirty water tank not properly installed.

**Solution:** Ensure that the dirty water tank is correctly installed.

**Cause:** Dirty water tank full / Automatic shut-off engaged.

**Solution:** Remove and empty the dirty water tank.

**Cause:** Filter or filter lid missing or not positioned correctly.

**Solution:** Ensure dirty water tank filter and filter lid are positioned in the dirty water tank lid.

### **PROBLEM: Cleaner solution won't dispense.**

**Cause:** Clean water tank not firmly in place.

**Solution:** Ensure tank is securely locked in position.

**Cause:** Clean water tank empty.

**Solution:** Refill clean water tank.

### **PROBLEM: Brushes won't rotate.**

**Cause:** Mode selector switch set to PICKUP.

**Solution:** Move mode selector switch to SCRUB position.

**Cause:** Circuit breaker inside cleaner is tripped.

**Solution:** To reset the breaker, slide the mode selector to the OFF position. Wait one minute. Turn the mode selector switch to SCRUB and continue cleaning. If the brushes continue to stall and the breaker trips again, clean the brushes to remove debris.

### **PROBLEM: Charging light not lit when plugged in.**

**Cause:** Charger not plugged in firmly.

**Solution:** Plug charger in firmly.

## 7. UK Service & Help

### Vax Care 0870 6061248

Monday-Friday 9.00am to 5.00pm.

An answerphone is available outside of these hours. Any queries or concerns about using the Vax, call the Vax Careline. Calls are charged at the UK national rate.

Please make a note of the serial number and model number of the carpet cleaner before calling. There are over 400 approved Vax Service Agents in the UK. For the nearest Service Agent, please call the Vax Careline.

[www.vax.co.uk](http://www.vax.co.uk)

## 8. Technical Specification

Voltage:	230V ~50Hz
Capacity:	0.5 litres
Filters:	Filter screen - washable Main filter - washable
Weight:	4kg

Subject to technical change without notice.





### EEC STATEMENT OF COMPLIANCE

Manufacturer/EEC importer: Vax Limited, hereby on our own responsibility, declare that the V-122 Floormate Freedom is manufactured in compliance with the following Directives:

**Safety:** 2006/95/EC Low Voltage Directive

**EMC:** 2004/108/EC Electromagnetic Compatibility Directive



Waste electrical products should not be disposed of with household waste. Please recycle where facilities exist. Check with your Local Authority or retailer for recycling advice.

Vax Ltd., Kingswood Road, Hampton Lovett, Droitwich, Worcestershire, WR9 0QH, UK  
email: [info@vax.co.uk](mailto:info@vax.co.uk) - website: [www.vax.co.uk](http://www.vax.co.uk)