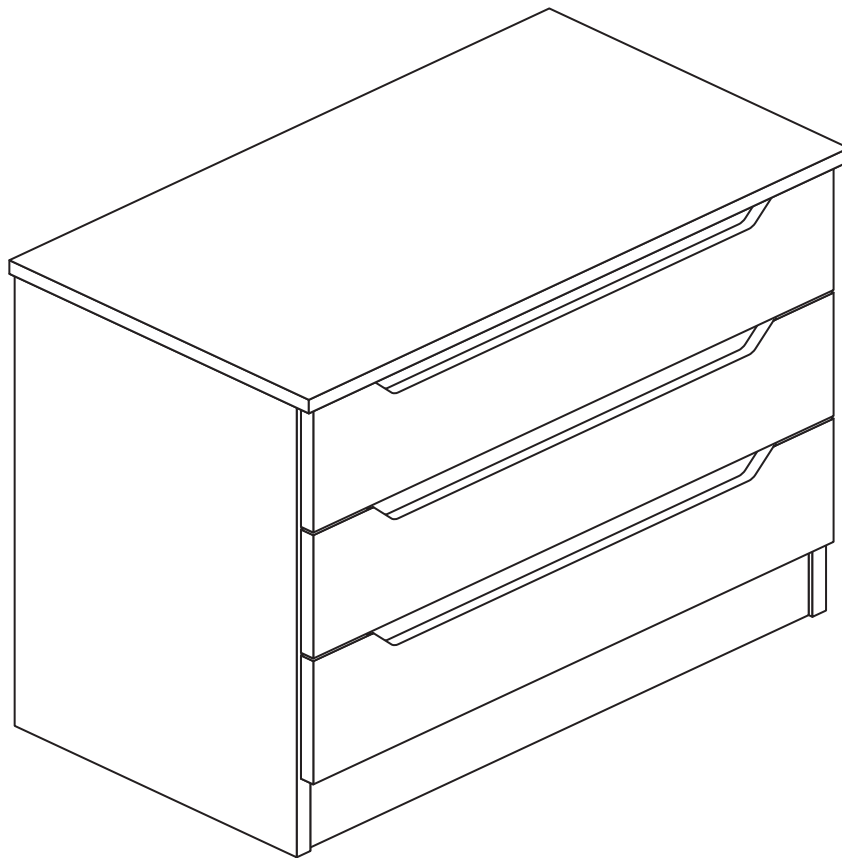




FIRST TEAM

FURNITURE



Assembly Instructions

IMPORTANT - Carefully read these instructions before starting the assembly
Please keep for future reference



MADE IN
BRITAIN

Dimensions

Width - 71.5cm

Depth - 40cm

Height - 62cm



Safety and Care Advice

Important - Please read these instructions fully before starting assembly

- **Warning:** This unit weighs approximately 21.5kgs. Please lift with care.

- Check you have all the components and tools listed on pages 2 and 3.

- Remove all fittings from the plastic bags and separate them into their groups.

- Keep children and animals away from the work area, small parts could choke if swallowed.

- Parts of the assembly will be easier with 2 people.

- Make sure you have enough space to layout the parts before starting.

- Do not stand or put weight on the product, this could cause damage.

- Assemble the item as close to its final position (in the same room) as possible.

- Assemble on a soft level surface to avoid damaging the unit or your floor (use opened out unit carton).



- We do not recommend the use of power drill/drivers **for inserting screws**, as this could damage the unit. Only use hand screwdrivers.

- **Safety note:** If there is any chance of this unit being pulled over by children etc. it is recommended that the unit is secured to a wall using suitable fixings (not supplied).

- Dispose of all packaging carefully and responsibly.

Care and maintenance

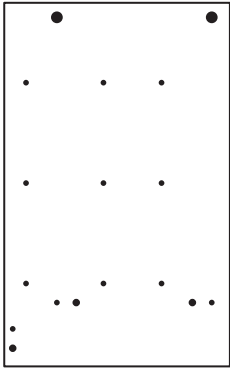
- Only clean using a damp cloth and mild detergent, do not use bleach or abrasive cleaners.

- From time to time check that there are no loose screws on this unit.

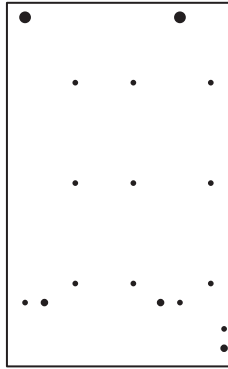
- This product should not be discarded with household waste. Take to your local authority waste disposal centre.

Note: If required the next page can be cut out and used as reference throughout the assembly. Keep this page with these instructions for future reference.

Panels - Please check you have all the panels listed below



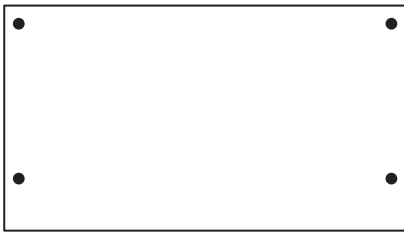
1 Left Side (*D2904A*)
(601 x 373mm)



2 Right Side (*D2905A*)
(601 x 373mm)



3 Top (*D2903A*)
(714 X 396mm)



4 Base (*D2906A*)
(664 x 372mm)



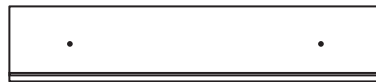
5 Plinth (*D2907A*)
(664 x 96mm)



6 Drawer Front (*D2910A*)
(688 x 163mm) x 3



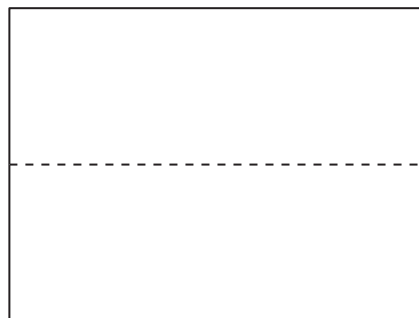
7 Wrap Side (*W370-124*)
(370 x 124mm) x 6



8 Drawer Wrap (*AW615-124*)
(615 x 124mm) x 6



9 Drawer Base (*T625-352*)
(624 x 352mm) x 3


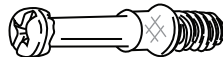

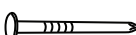

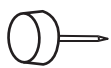






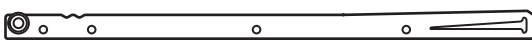
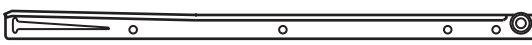


10 Back (*X690-517*)
(690 x 517mm)

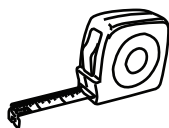


Fittings – Please check you have all the fittings listed below

Note: The quantities below are the correct amount to complete the assembly. In some cases more fittings may be supplied than are required.

<p>A </p> <p>Wooden dowel (F22) x 10</p>	<p>B </p> <p>Metal dowel (F901) x 10</p>	<p>C </p> <p>Large locking nut (F900) x 10</p>
<p>D </p> <p>Nail (F51) x 16</p>	<p>E </p> <p>Wedgefix (F639) x 12</p>	<p>F </p> <p>Plastic Nail (F91) x 4</p>
<p>G </p> <p>25mm Screw (F281) x 6</p>	<p>H </p> <p>13mm Screw (F52) x 18</p>	<p>I </p> <p>13mm Screw (F63) x 18</p>
<p>J </p> <p>Knock-in Peg (F171WH) x 24</p>	<p>K a  L Runner (F159) x 3 ← 350mm long →</p> <p>K b  R Runner (F160) x 3</p> <p>K c  L Runner (F161) x 3</p> <p>K d  R Runner (F162) x 3</p>	

Tools required



Rule



Cross-head screwdriver



Scissors



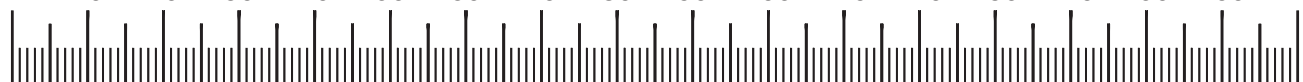
Hammer



Eye protection
(when using a hammer or drill)

Ruler - Use this ruler to help correctly identify the screws

mm 10 20 30 40 50 60 70 80 90 100 110 120 130 140 150 160 170



Assembly Instructions

Step 1

Prepare the Left Side

a: Fit 3 runners **K a** to the left side **1**.

The 1st screw **H** uses the 2nd hole in from the front of the runner.

The 2nd and 3rd screws **H** use the holes that line up with the other panel holes.

b: Fit a screw **I** into the 2nd hole in at the top of the runner **K a**.

c: Tap 2 wooden dowels **A** into the left side **1**.

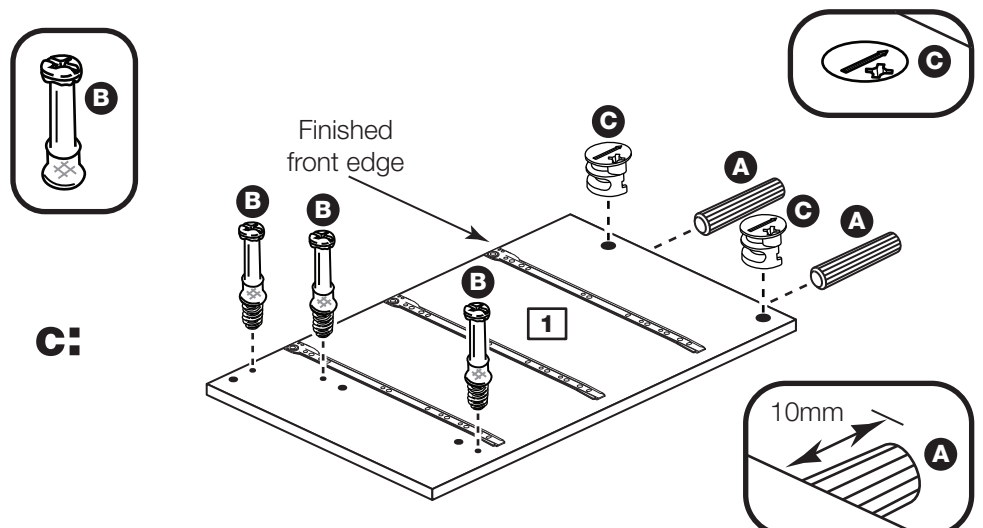
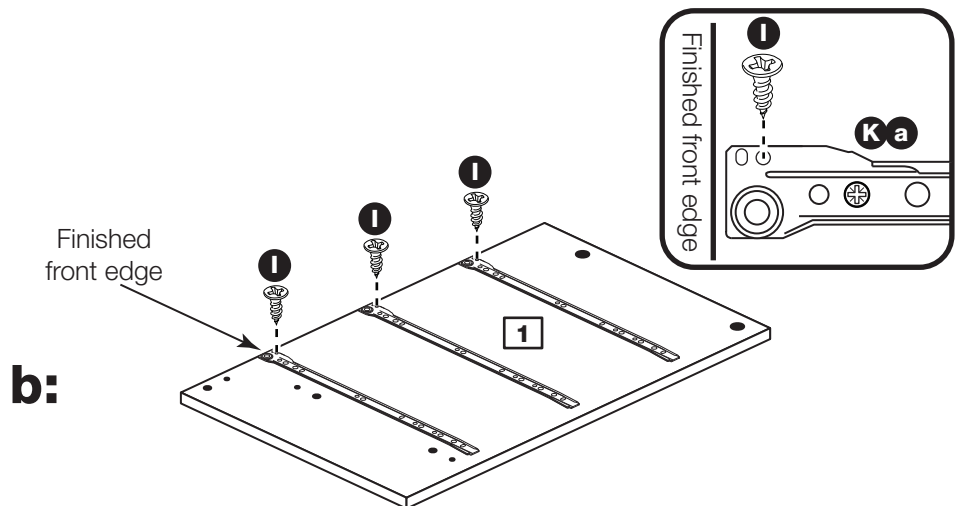
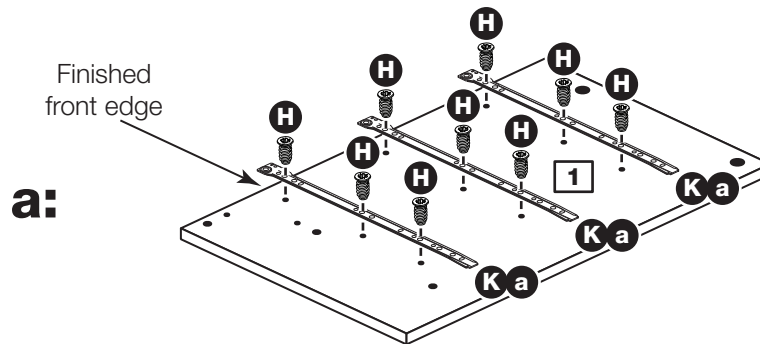
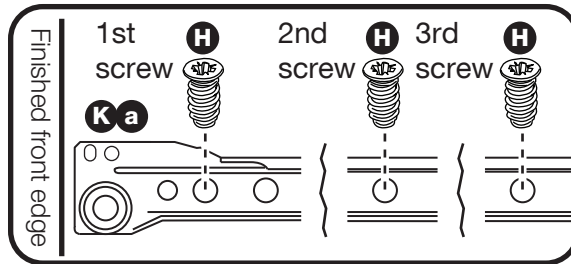
Note: Wooden dowels **must not** stick out from the edge by more than 10mm or they may damage other panels.

Screw 3 metal dowels **B** into the left side **1**.

Note: Tighten the metal dowels up fully against the panels.

Insert 2 large locking nuts **C** into the left side **1**.

Note: The arrow on the locking nuts **must** point towards the hole in the edge of the panel.



Assembly Instructions

Step 2

Prepare the Right Side

a: Fit 3 runners **Kb** to the right side **2**.

The 1st screw **H** uses the 2nd hole in from the front of the runner.

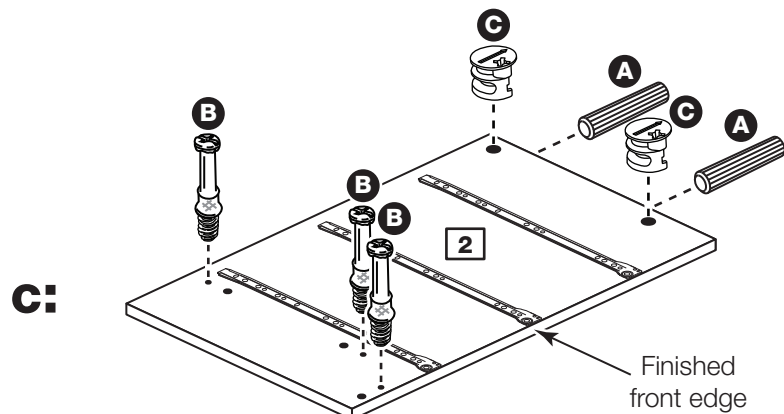
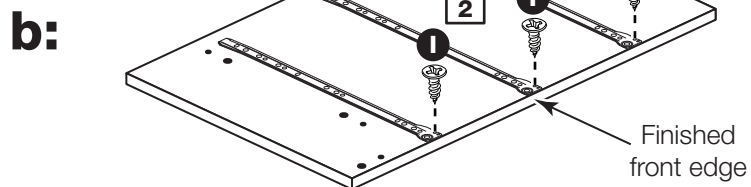
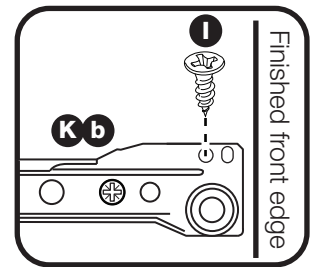
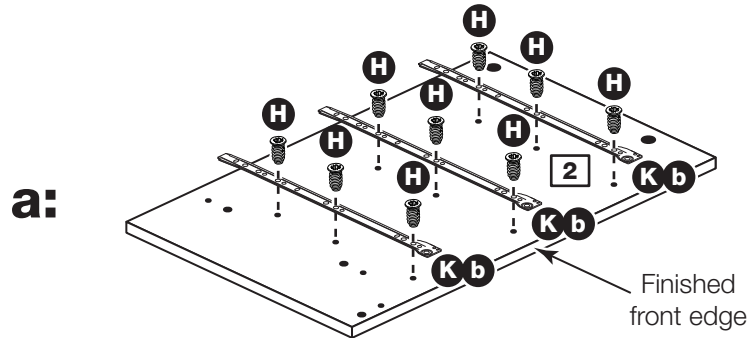
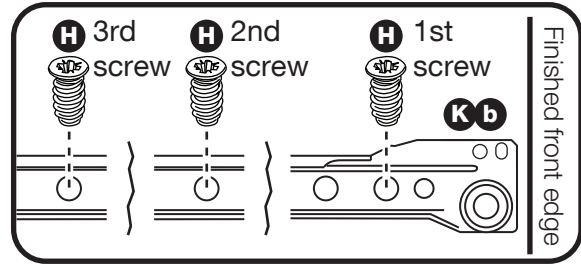
The 2nd and 3rd screws **H** use the holes that line up with the other panel holes.

b: Fit a screw **I** into the 2nd hole in at the top of the runner **Kb**.

c: Tap 2 wooden dowels **A** into the right side **2**.

Screw 3 metal dowels **B** into the right side **2**.

Insert 2 large locking nuts **C** into the right side **2**.



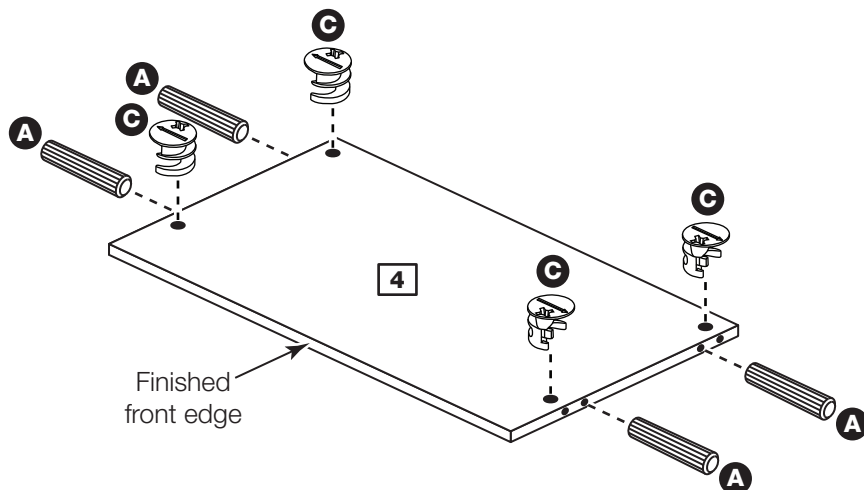
Assembly Instructions

Step 3

Prepare the Base

Tap 4 wooden dowels **A** into the base **4**.

Insert 4 large locking nuts **C** into the base **4**.



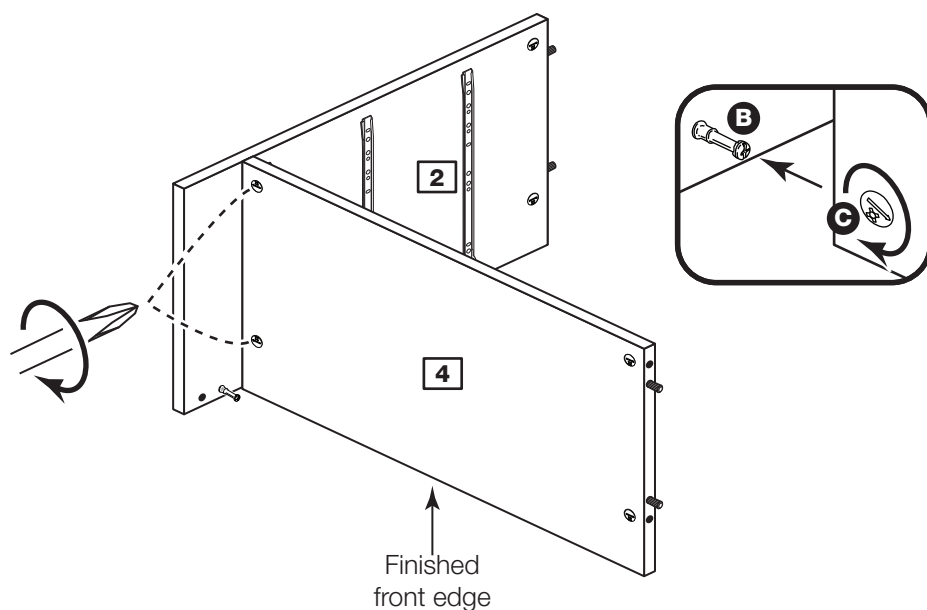
Step 4

Fit the Base to the Right Side

Push the base **4** onto the right side **2**.

Use a screwdriver to tighten the 2 large locking nuts **C** fitted to the base **4**.

Note: Turn the large locking nuts **C** as far as they will go - more than 1/2 a turn.

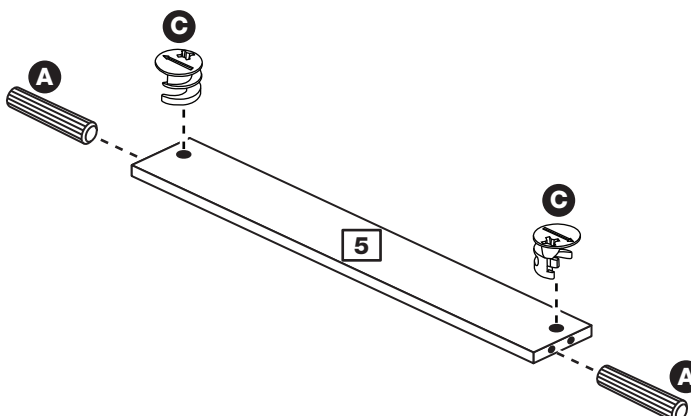


Step 5

Prepare the Plinth

Tap 2 wooden dowels **A** into the plinth **5**.

Insert 2 large locking nuts **C** into the plinth **5**.



Assembly Instructions

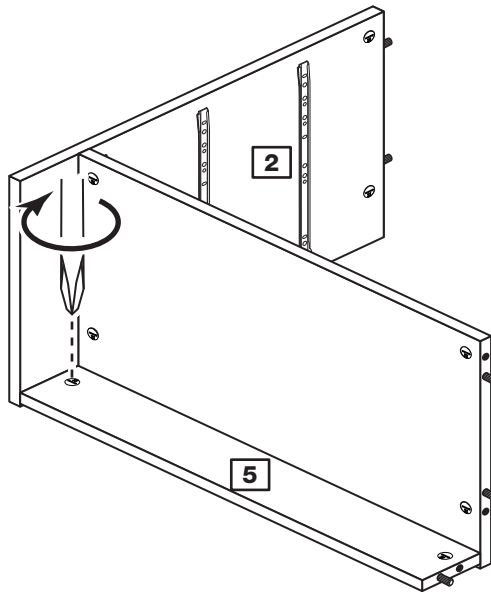
Step 6

Fit the Plinth to the Right Side

Push the plinth **5** onto the right side **2**.

Use a screwdriver to tighten the large locking nut **C** fitted to plinth **5**.

Note: Turn the large locking nut **C** as far as it will go - more than 1/2 a turn.

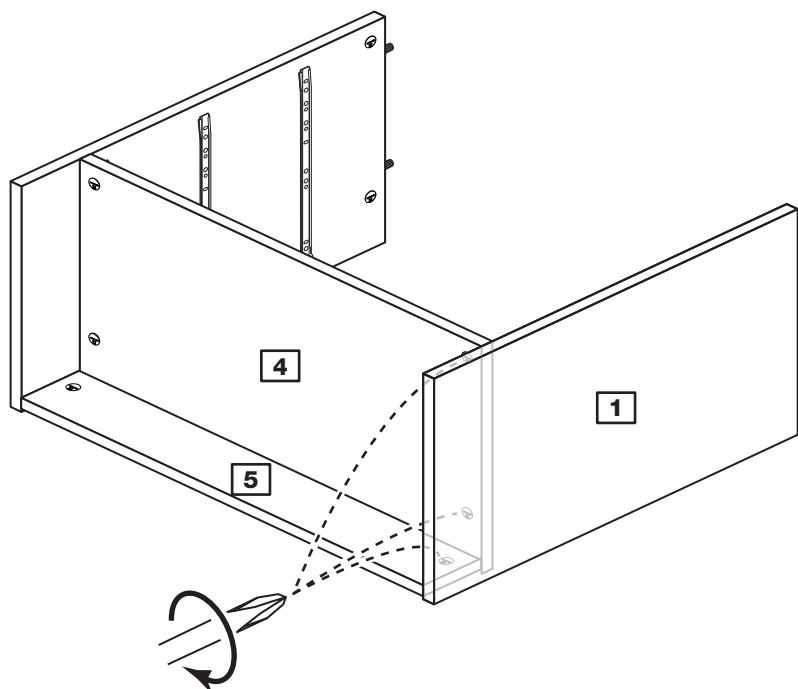


Step 7

Fit the Left Side

Push the left side **1** onto the assembly.

Use a screwdriver to tighten the 3 large locking nuts **C** fitted to the base **4** and the plinth **5**.

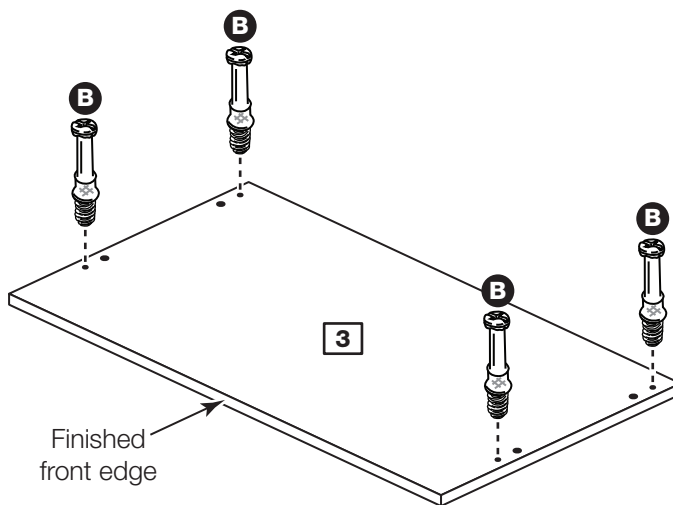


Assembly Instructions

Step 8

Prepare the Top

Screw 4 metal dowels **B** into the Top **3**.

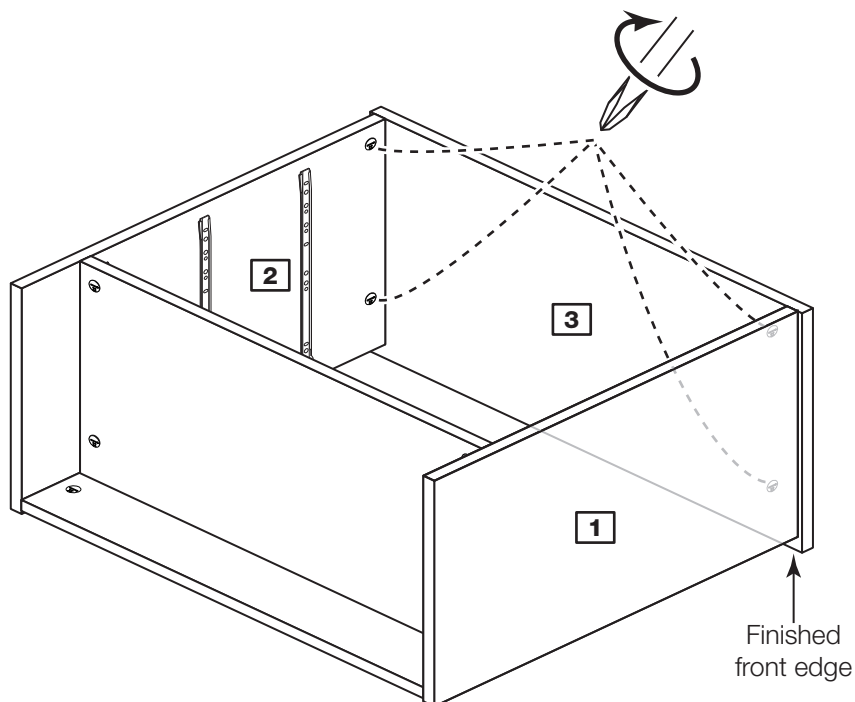


Step 9

Fit the Top

Push the Top **3** onto the assembly.

Use a screwdriver to tighten the 4 large locking nuts **C** fitted to the side panels **1** and **2**.

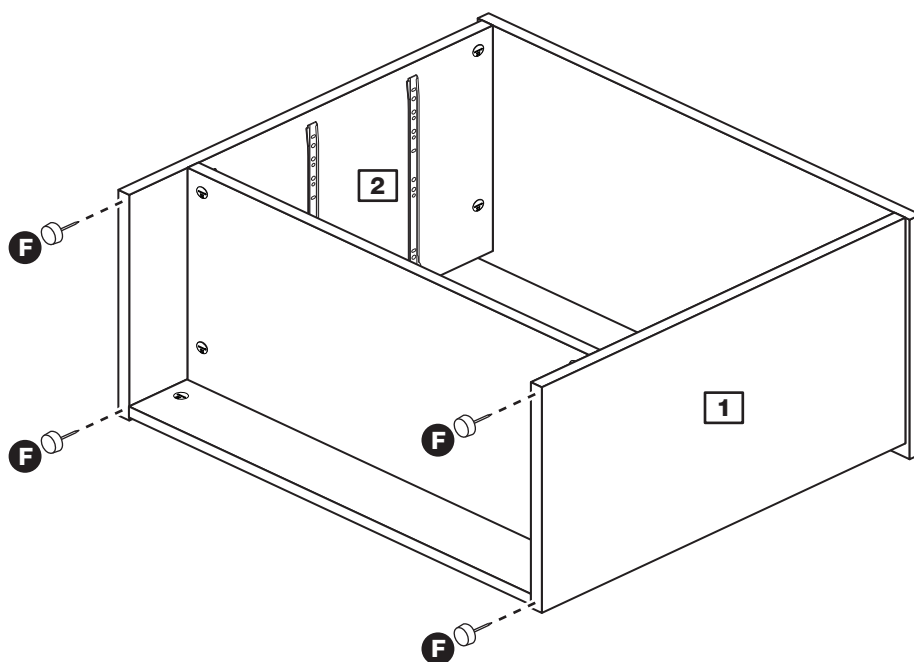


Assembly Instructions

Step 10

Fit the 4 Plastic Nails

Tap 2 plastic nails **F** into the bottom edge of each of the sides **1** and **2**.



Step 11

Fit the Back

a: Square up the unit by making sure that measurement **x to x** equals **y to y**.

b: Place the back **10** onto the unit.

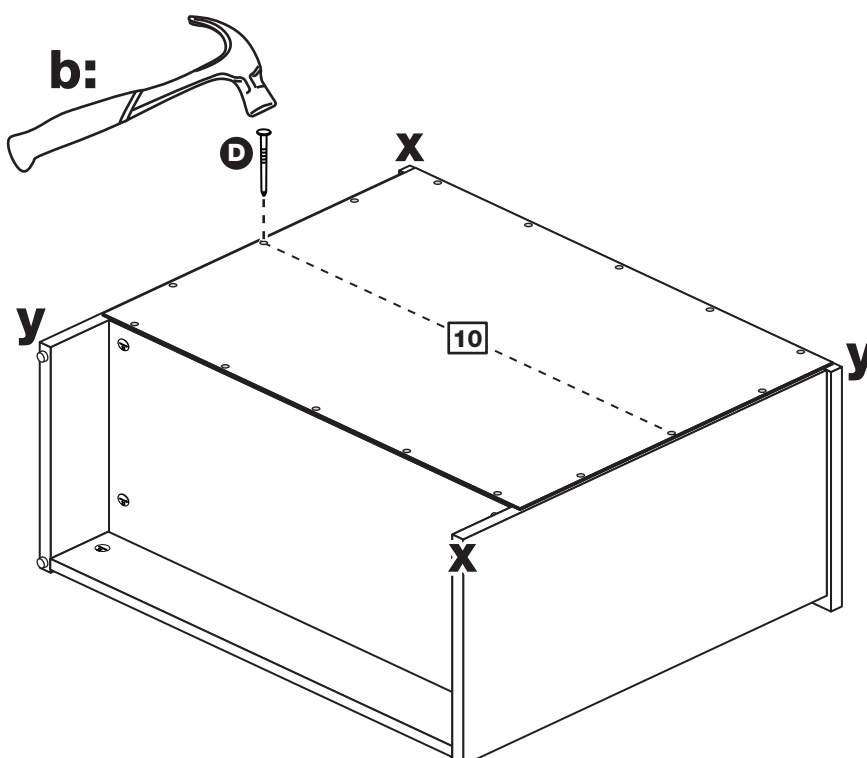
Nail **D** around the outside edges of the back **10**.

Note: Nails should be spaced about 150mm apart.

Stand the unit up for the next step.

Warning: The unit is heavy. Lift with care.

a: The measurement from top corner X to bottom corner X must be equal to the measurement from top corner Y to bottom corner Y



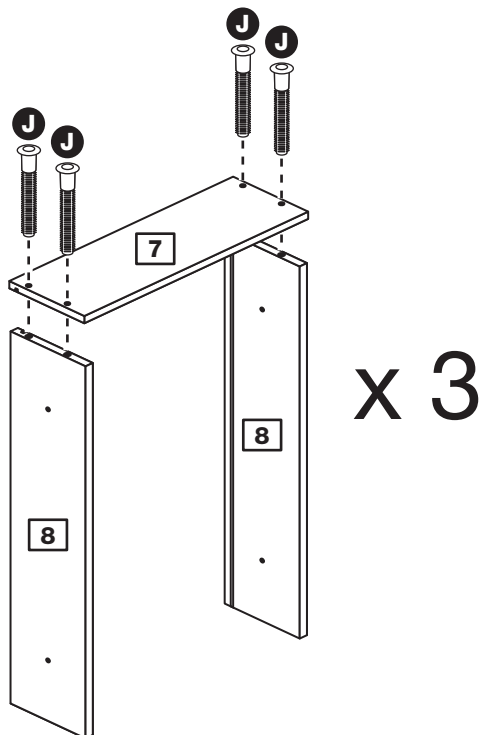
Assembly Instructions

Step 12

Fit a Wrap Side to the Drawer Wraps

Position a wrap side **7** onto 2 drawer wraps **8**, as shown.

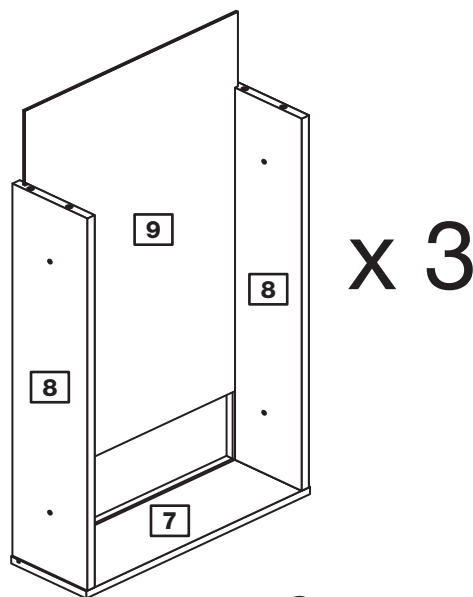
Tap 4 knock-in pegs **J** through the holes in the wrap side **7** and into the drawer wraps **8**.



Step 13

Fit the Drawer Base

Turn the assembly over and slide the drawer base **9** down the grooves in the drawer wraps **8** and down into the groove in the wrap side **7**.

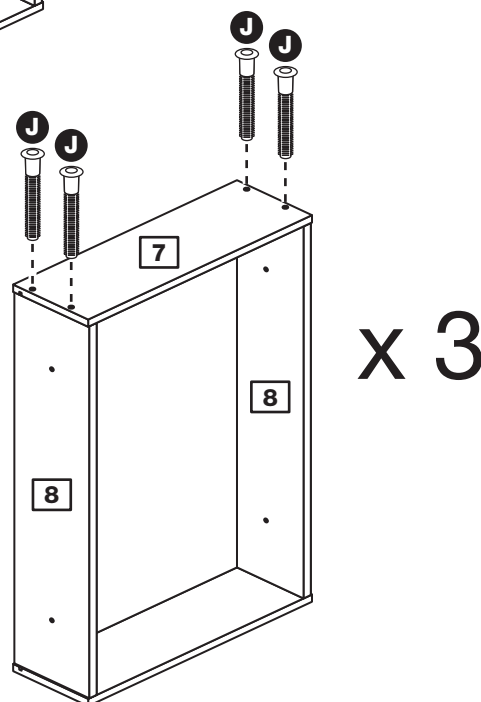


Step 14

Fit the other Wrap Side

Position a wrap side **7** onto the 2 drawer wraps **8**, as shown.

Tap 4 knock-in pegs **J** through the holes in the wrap side **7** and into the drawer wraps **8**.

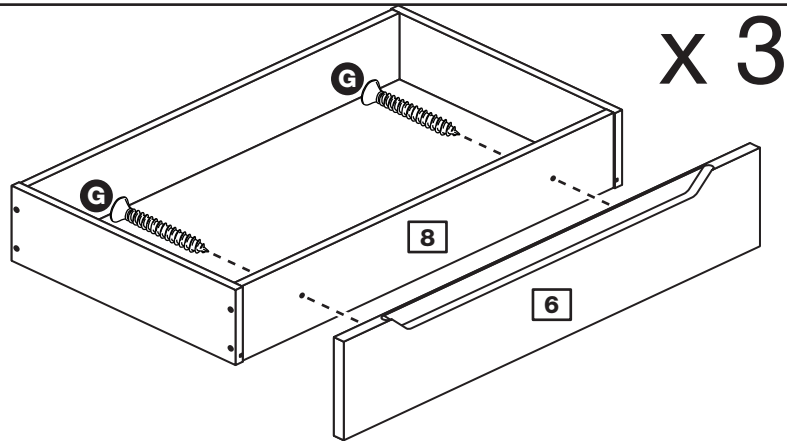


Assembly Instructions

Step 15

Fit the Drawer Fronts

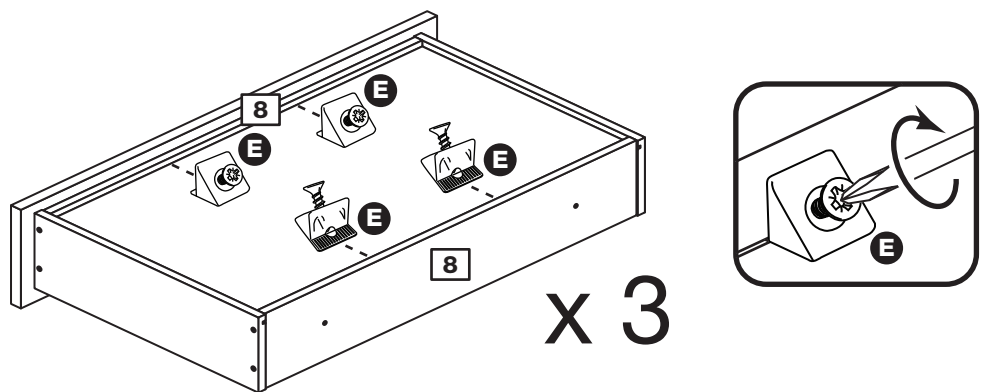
Fit a drawer front **6** to one of the drawer wraps **8** using 2 screws **G**.



Step 16

Fit the wedgexes

Turn the 3 drawer assemblies over and slide 4 wedgexes **E** into the grooves of the drawer wraps **8**, as shown, and tighten up the screws.

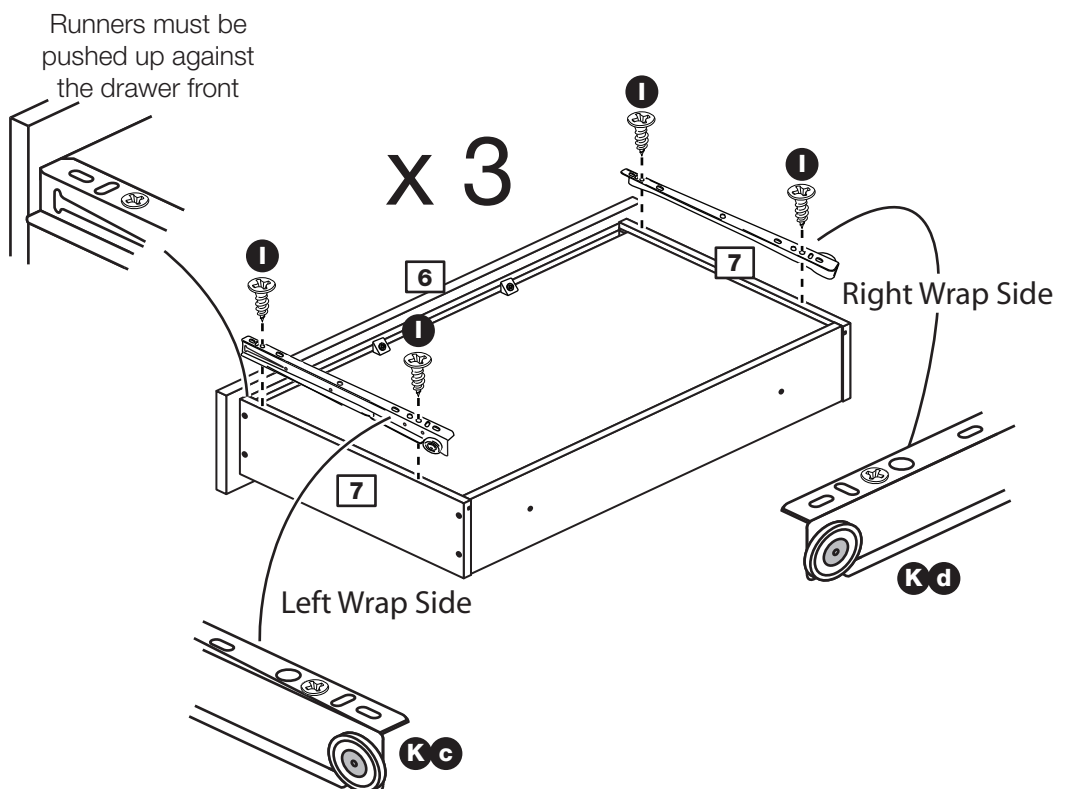


Step 17

Fit the Runners to the Drawers

Fit the runner **Kc** to the bottom edge of the left wrap side **7**, as shown, making sure that it is pushed up against the back of the drawer front **6**. Use a bradawl to mark the fixing positions, then secure with 2 screws **I**.

Fit the runner **Kd** to the bottom edge of the right wrap side **7** using the same method.



Assembly Instructions

Step 18

Fit the drawers

Slide the wheels of the runners fitted to the drawers, over the wheels of the runners fitted to the side panels and push the drawers into position.

Assembly is complete

