

**INSTRUCTIONS FOR USE  
C831WV INTEGRATED  
TUMBLE DRYER**



**White Knight**



**IMPORTANT: PLEASE READ THESE INSTRUCTIONS THOROUGHLY BEFORE USING THIS APPLIANCE. KEEP THEM IN A SAFE PLACE FOR FUTURE REFERENCE.**

**IMPORTANT USER INFORMATION**

**These notes are provided in the interest of safety. You must read them carefully before installing or using this appliance.**

- This appliance can be used by children aged from 8 years and above and persons with reduced physical, sensory or mental capabilities or lack of experience and knowledge if they have been given supervision or instruction concerning use of the appliance in a safe way and understand the hazards involved. Children shall not play with the appliance. Cleaning and user maintenance shall not be made by children without supervision. Children of less than 3 years should be kept away unless continuously supervised.
- This tumble dryer is intended for domestic use only.
- The room must be adequately ventilated to avoid back flow of gases into the room from appliances burning gas or any other fuels. This includes open fires.

- Exhaust air must not be discharged into a flue which is used for exhausting fumes from appliances burning gas or any other fuels.
- Any electrical work required to install the appliance should be carried out by a qualified person.
- This tumble dryer should be serviced by an appointed service organization and only genuine spare parts used.
- It is dangerous to alter or modify the product in any way, other than fitting authorized accessories.
- It is important to clean the lint filter after each drying cycle.
- Under no circumstances should anything other than the recommended articles be placed in the tumble dryer.
- Items that have been soiled with substances such as cooking oil, acetone, alcohol, petrol, kerosene, spot removers, turpentine, waxes and wax removers should be washed in hot water with an extra amount of detergent before being dried in the tumble dryer.
- Do not place articles which have been in contact with dry cleaning fluid or other flammable substances in the tumble dryer.
- Do not attempt to dry dripping wet articles.
- Remove all objects from pockets such as lighters and matches.
- Items such as foam rubber (latex foam), shower caps, waterproof textiles, rubber backed articles and clothes or pillows fitted with foam rubber pads should not be dried in the tumble dryer.

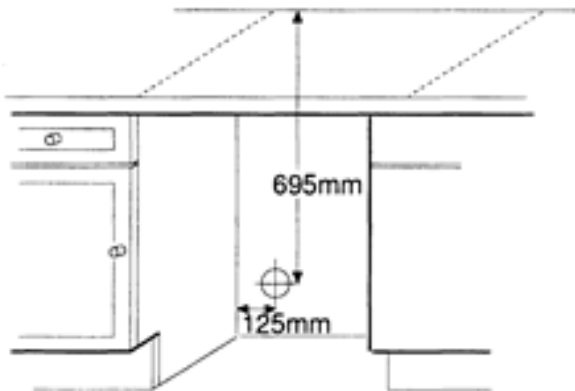
- Do not use the tumble dryer if you suspect that it is damaged in any way. Under no circumstances should you attempt to repair the appliance yourself. Repairs carried out by inexperienced persons may cause serious injury.
- We recommend that the appliance is switched off each time after use. It should be disconnected from the electricity supply if it is to be unattended for long periods, ( i.e. weekends or holiday etc).
- **DO NOT use a two-way or multi-way adapter, or extension lead. The dryer must be connected to its own individual socket.**
- The special mains cable and plug assembly must be replaced with a genuine part from the manufacturer or his service agent.
- When installing, position the appliance so that that the plug is accessible.
- Fabric softeners, or similar products, should be used as specified by the fabric softener instructions.

**WARNING:** The appliance must not be supplied through an external switching device, such as a timer, or connected to a circuit that is regularly switched on and off by a utility.

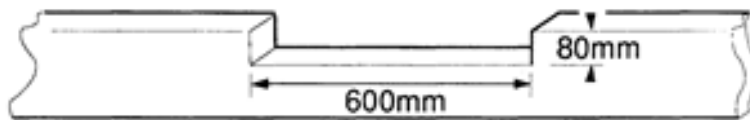
# INSTALLATION

The tumble dryer is fully compatible with any 600mm deep kitchen units and complies with stringent EEC regulations.

Your dryer is provided with a vent hose which will extend to approx 2.4m (8ft). We strongly recommend that this is vented through the wall with the attachment provided. The position of the hole (100mm diameter) for the vent directly behind the tumble dryer is shown in the diagram.



If the through the wall vent is to be positioned other than behind the dryer, the vent hose should be positioned at floor level and through adjacent side panel to a relevant position. The plinth must be cut-out to accommodate the air vent grill at the bottom front of the tumble dryer.



## IMPORTANT

The air vent at the front of the appliance must never be covered or blocked in any way as this will cause the dryer to overheat.

This appliance must not be installed behind a lockable door, a sliding door or a door with hinges on the opposite side to that of the tumble dryer.

The dryer should not be placed directly next to ovens or cookers, as the performance of the dryer may be affected.

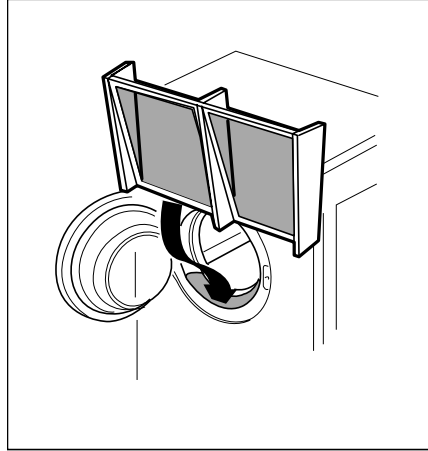
**ELECTRICAL CONNECTIONS:** We strongly recommend that any electrical work is carried out by a qualified person complying with the IEE 17<sup>th</sup> addition of the electrical regulations.

## IMPORTANT

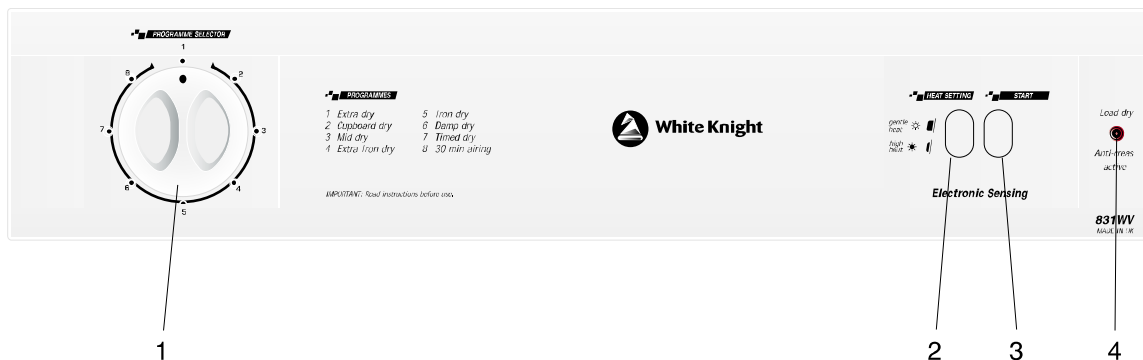
Please remember that the tumble dryer must be capable of being switched off, (disconnected from the supply), when fitted in position

## THE FILTER

The filter is found, as seen from the diagram, by opening the door and must always be in position when drying items in the appliance. To allow the dryer to operate efficiently it should be cleaned after each drying cycle. Do not be alarmed by the amount of fluff deposited on the mesh. It is not due to excessive wear caused by the dryer but more an indication of its efficient operation. All fabric loses fluff when drying but it goes unnoticed into the air. In a tumble dryer it simply collects in the filter.



# CONTROL PANEL GUIDE



- 1. PROGRAMME SELECTOR:** Choose the final dryness of the load by selecting the desired dryness setting (see the programme chart). The dryer will stop automatically when the chosen dryness is achieved. Note: the use of an iron dry programme will use 30% less energy than a cupboard dry programme.
- 2. HEAT SETTINGS:**  
High – For fabrics insensitive to higher temperatures, such as cotton.  
Low – For temperature sensitive clothes.
- 3. START BUTTON:** Press to start the drying cycle.
- 4. ANTI-CREASE ACTIVE NEON** When lit constantly, the neon indicates that the drying cycle is completed and clothes can be removed. To reduce creasing of clothes, anti-crease will automatically start once the drying cycle is complete.

## PROGRAMME DESCRIPTIONS

- |                   |                   |
|-------------------|-------------------|
| 1. extra dry      | 5. iron dry       |
| 2. cupboard dry   | 6. damp dry       |
| 3. mid dry        | 7. timed dry      |
| 4. extra iron dry | 8. 30 mins airing |

Program 1 – Extra dry: clothes are dry enough to be put away

Program 2 – Cupboard dry: clothes are dry enough to be put away

Program 3 – Mid dry: depending upon fabric, clothes are generally dry enough to be put away

Program 4 – Extra iron dry: clothes are almost dry but can be easily ironed

Program 5 – Iron dry: clothes are slightly damp and ready to be ironed

Program 6 – Damp dry: clothes are damp and ready to be ironed

Program 7 – 30 minute timed drying program

Program 8 – 30 minute timed ‘airing’ program; useful for freshening up clothing.

Programs 1-7 can be operated on either full heat or half heat setting and have a 12 minute cool-down period at the end of the cycle

Program 8 operates without the heater (regardless of the heat switch setting), circulating air through the dryer at the ambient temperature.

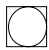
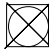
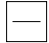
**PLEASE NOTE: THE DRYER WILL CONTINUE TO RUN IN ANTI-CREASE MODE UNTIL THE DOOR IS OPENED.**

## BEFORE DRYING

Check care labels inside the garments

### CARE LABELS YOU

### MAY FIND ON YOUR FABRICS

	'Tumble drying beneficial'
	'Do not tumble dry'
	'Dry flat'

Do not tumble dry woolen or wool mixture articles unless the article is labeled to be suitable due to possibility of shrinkage.

Place delicate articles, e.g. tights and scarves, inside a pillowcase.

Sort out the clothes into groups of similar fabrics and colours.

Check the care label inside the garment.

We suggest that a fabric conditioner be used to reduce static electricity.

Delicate articles e.g. tights should be placed inside a pillowcase.

It is better to dry small and large articles together.

Do not dry unwashed items in the tumble dryer.

Remove all objects from pockets such as lighters and matches.

To avoid the need to iron easy care polyester/cotton items it is better to only dry small loads (i.e. half fill the drum).

It is better to dry small and large articles together.

Do not overload the dryer or dry large bulky items such as duvets or sleeping bags as it is important that the air flow through the dryer is not obstructed.

## RUNNING THE MACHINE

Open the door.

Load clothes loosely into the drum.

Load sheets first starting with one corner.

Close the door.

Dry your hands

Switch on the machine at the socket.

Select correct heat position (See programme chart on fascia panel).

For energy labeling purposes (EN61121:2005) for a cotton dry load, use the maximum load weight for cotton and set the timer to the recommended drying time for cotton dry as specified on the control panel.

The standard cotton programme is suitable to dry normal wet cotton laundry. It is the most efficient programme in terms of energy consumption for drying wet cotton laundry.

Your appliance is a reversing, small door opening. A full load will typically take 115 minutes and will use approximately 3.85kWh of electricity. A half load will typically take 66 minutes and will use approximately 2.14 kWh of electricity.

The power consumption of the off-mode and the left-on mode is zero.

Set the programme to the required dryness setting (See programme chart on fascia panel).

Press the start button.

The drum will rotate in anticlockwise direction for a short period of time.

The drum will then begin to rotate clockwise and will stop automatically when your clothes are dry. The drum will stop and rotate anti-clockwise every few minutes to reduce creasing.

There is an automatic 12-minutes cool down period at the end of every cycle, during which the heater is switched off. This is to help minimize creasing.

After each of the programmes, the machine goes into anti-crease. This feature rotates the drum for briefly every 6 minutes until the dryer is stopped or the door is opened.

**NOTE: NEVER SWITCH THE DRYER OFF AND LEAVE A HOT LOAD IN THE DRUM – RISK OF FIRE.**  
When drying large items such as sheets, we suggest you periodically stop the dryer to redistribute the load, and restart it immediately afterwards.

To stop the machine during a programme, simply open the door, the drum will stop rotating automatically and restart when you close the door. Press the start button to restart the machine.

**WARNING:** Never stop a tumble dryer before the end of a drying cycle unless all items are quickly removed and spread out so that heat is dissipated.

**AFTER REMOVING THE DRIED CLOTHES: ALWAYS CLEAN THE FILTER.**

Failure to clean the filter will extend drying times and cause the safety cut-out to operate.

Pull the filter upwards and away from the appliance.

Remove threads or fluff by hand or with a soft brush.

Slide the filter back.

Wash the filter occasionally in detergent solution and with a soft brush to remove small particles.

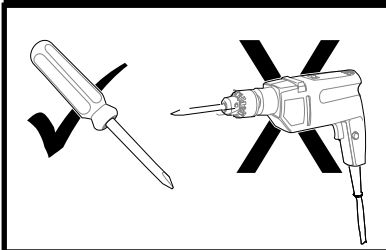
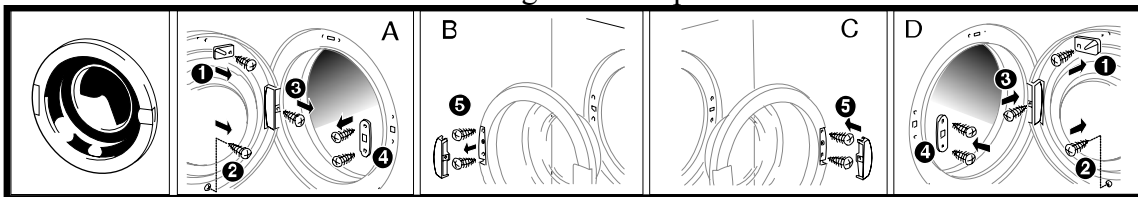
Your dryer is designed to operate in a room temperature range of 5°C to 30° C.

## **DOOR REVERSAL**

### **APPLIANCE DOOR**

The door on the dryer can be positioned either with the left or right hand hinging.

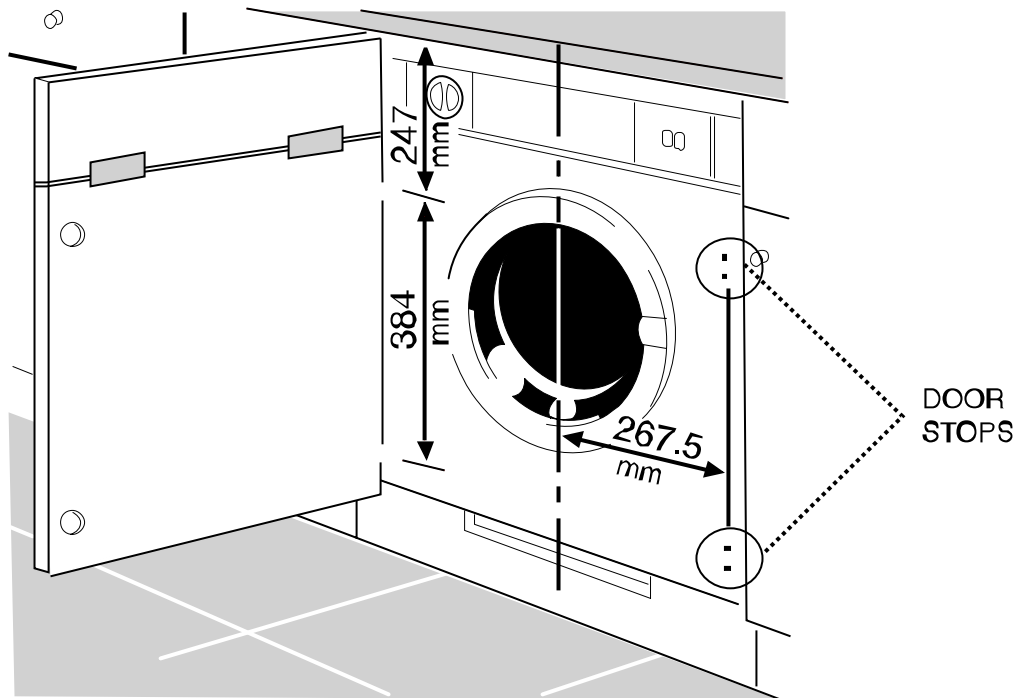
Please follow illustrations below to change the door position.





## THE DECOR DOOR

The hinges can be fastened through the pre-drilled holes on either the left or right hand with the door stops being fitted on the other side.



## TECHNICAL DATA

Overall dimensions : height 86.5 – 89cm width 59.5cm depth 53cm

Maximum dry weight of cotton, linen 6.0kg synthetics 6.0kg.

For electrical ratings see plate on rear of machine.

Fuse rating: 13amp.

### DON'TS....

**Do not** – Overload the dryer.

**Do not** – Dry articles singly as they tend to roll up and so increase drying time.

**Do not** – Dry woolen or wool mixture articles unless the article is labeled as suitable. This should avoid shrinkage.

**Do not** – Allow venting hose (where applicable) or filter to become blocked.

**Do not** – Allow fluff to accumulate around the tumble dryer.

**NEVER SWITCH THE DRYER OFF AND LEAVE A HOT LOAD IN THE DRUM – RISK OF FIRE.**

## ANY PROBLEMS

If the clothes are not dry after normal drying time:

- Check that the filter is clean.
- Check that you used the correct heat setting.
- Check that the venting hose is not blocked (sometimes a strong wind may cause a back pressure).
- Check that you have not set the timer within a cool down period.

## **CUSTOMER ADVICE – BEFORE CALLING FOR ASSISTANCE**

If the clothes are not dry after normal drying time:

- Check that you used the correct heat setting.
- Check that you have not set the timer within a cool down period.
- Check that the lint filter has been cleaned. A blocked filter will restrict the airflow.
- Check that your dryer is heating - below the door to the left side, should feel warm to the touch after the first 10-15 minutes of its programme.

Failure to heat may indicate the safety cut-out has operated. To reset, simply press the red button at the rear of the machine. If it has operated then a sharp “click” will be heard.

This cut-out only operates if the airflow is severely restricted so make sure the filter is clean, the air inlets and outlets at the side and back are not blocked, and that all other restrictions are removed before re-starting.

If the cut-out continues to operate after checking the above points, you should contact your service agent.

Check that the machine has the correct weight load in the drum before starting the appliance.

If your machine does not work check the following before calling a service engineer:-

- Check that there is a supply of electricity.
- Check that the door has been properly closed and the machine is switched on.
- Check the fuse in the moulded plug.

**A call out charge will be applied for a service visit, if the call could have been avoided by following these instructions.**

## **ESSENTIAL CONTACT INFORMATION FOR “IN GUARANTEE” AND “OUT OF GUARANTEE” REPAIRS.**

If problems continue after checking the above points you should **contact our service agent**. Please ensure that you have your serial number and model number to hand when you make the call. To locate the serial number on your dryer, open the door and look for a white label inside the door opening. This will indicate the appliance model number along with the serial number.

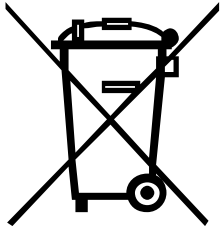
### **APPROVED SERVICE AGENTS:**

White Knight (Whirlpool) 0800 988 1323 (calls are free from landlines however calls from mobiles may be charged at your network provider's rates)

**OR**

White Knight (0800 Repair): 0344 8797422 (Calls charged at basic rate).

Northern Ireland Only: (Service Network 2000) 028 90365222 (Daytime calls cost up to 14p plus 8p per minute from BT lines Monday-Friday. Mobile and other providers' charges may vary).



This appliance is marked according to the European Directive 2012/19/EU on Waste Electrical and Electronic Equipment (WEEE). This guideline is the frame of a European wide validity of return and Recycling on Waste Electrical and Electronic Equipment



	LAV SDO Sense
Suppliers name or trade mark	WHITE KNIGHT
Model identifier	837, 839, 83A, 83B, 831 - TYPE
Rated capacity at full load	6kg
Appliance type	Air Vented
Energy efficiency class	C
Energy consumption of the appliance*	459kWh
The figures above is based on 160 drying cycles of the standard cotton programme at full and partial load and the consumption of the low-power modes. Actual energy consumption per cycle will depend on how the appliance is used.	
Automatic/non-automatic	Automatic
EU Ecolabel	N/A
$E_{dry}$	3.85kWh
$E_{dry\frac{1}{2}}$	2.14kWh
$E_{g_{dry}}$	N/A
$E_{g_{dry\frac{1}{2}}}$	N/A
$E_{g_{dry,a}}$	N/A
$E_{g_{dry\frac{1}{2},a}}$	N/A
Off mode power ( $P_o$ )	0W
Left on mode power ( $P_l$ )	0W
Duration of left-on mode	N/A
The standard cotton programme used at full and partial load is the standard drying programme to which the information in the label and the fiche relates. This programme is suitable for drying normal wet cotton laundry. It is the most efficient programme in terms of energy consumption for cotton.	
$T_t$	87mins
$T_{dry}$	115mins
$T_{dry\frac{1}{2}}$	66mins
Condensing efficiency class	N/A
$C_t$	N/A
$C_{dry}$	N/A
$C_{dry\frac{1}{2}}$	N/A
Sound power level	62dBA
Built in/not built in	Model 831 is intended on being built in. All other models are not intended on being built in.