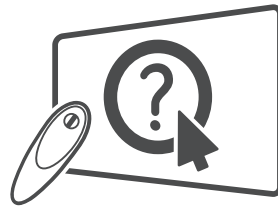




OWNER'S MANUAL

LED TV*

* LG LED TV applies LCD screen with LED backlights.



Click! User Guide

Please read this manual carefully before operating your set and retain it for future reference.

LB63** LB69** LB87**

LB65** LB72**

LB67** LB73**

LB68** LB86**



P/NO : MFL68027018(1402-REV00)
Printed in Korea

www.lg.com

TABLE OF CONTENTS

3	LICENSES	42	REMOTE CONTROL
3	OPEN SOURCE SOFTWARE NOTICE	44	MAGIC REMOTE FUNCTIONS
3	EXTERNAL CONTROL DEVICE SETUP	45	Registering Magic Remote
4	SAFETY INSTRUCTIONS	45	How to use Magic Remote
10	- Viewing 3D Imaging (Only 3D models)	46	Precautions to Take when Using the Magic Remote
12	INSTALLATION PROCEDURE	46	USING THE USER GUIDE
12	ASSEMBLING AND PREPARING	47	MAINTENANCE
12	Unpacking	47	Cleaning your TV
16	Separate purchase	47	- Screen, frame, cabinet and stand
17	Parts and buttons	47	- Power cord
19	- Using the Joystick button	47	TROUBLESHOOTING
20	Lifting and moving the TV	48	SPECIFICATIONS
21	Setting up the TV		
21	- Attaching the stand		
26	- Attaching the Sound Bar Supporter		
28	Mounting on a table		
29	Mounting on a wall		
30	Tidying cables		
31	Using Built-in Camera		
32	- Preparing Built-in Camera		
32	- Name of Parts of Built-in Camera		
32	- Checking the Camera's Shooting Range		
33	MAKING CONNECTIONS		
33	Antenna connection		
34	Satellite dish connection		
34	HDMI connection		
35	Headphone connection		
36	DVI to HDMI connection		
37	Component connection		
38	Composite connection		
39	MHL connection		
39	Audio connection		
39	- Digital optical audio connection		
40	USB connection		
40	CI module connection		
41	Euro Scart connection		

WARNING

- If you ignore the warning message, you may be seriously injured or there is a possibility of accident or death.

CAUTION

- If you ignore the caution message, you may be slightly injured or the product may be damaged.

NOTE

- The note helps you understand and use the product safely. Please read the note carefully before using the product.

LICENSES

Supported licenses may differ by model. For more information about licenses, visit www.lg.com.



OPEN SOURCE SOFTWARE NOTICE

To obtain the source code under GPL, LGPL, MPL and other open source licenses, that is contained in this product, please visit <http://opensource.lge.com>.

In addition to the source code, all referred license terms, warranty disclaimers and copyright notices are available for download.

LG Electronics will also provide open source code to you on CD-ROM for a charge covering the cost of performing such distribution (such as the cost of media, shipping and handling) upon email request to opensource@lge.com. This offer is valid for three (3) years from the date on which you purchased the product.

EXTERNAL CONTROL DEVICE SETUP

To obtain the external control device setup information, please visit www.lg.com.

SAFETY INSTRUCTIONS



Please read these safety precautions carefully before using the product.

WARNING

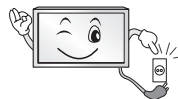


- Do not place the TV and/or remote control in the following environments:
 - A location exposed to direct sunlight
 - An area with high humidity such as a bathroom
 - Near any heat source such as stoves and other devices that produce heat
 - Near kitchen counters or humidifiers where they can easily be exposed to steam or oil
 - An area exposed to rain or wind
 - Near containers of water such as vases

Otherwise, this may result in fire, electric shock, malfunction or product deformation.



- Do not place the product where it might be exposed to dust. This may cause a fire hazard.



- Mains Plug is the TV connecting/disconnecting device to AC mains electric supply. This plug must remain readily attached and operable when TV is in use.



- Do not touch the power plug with wet hands. Additionally, if the cord pin is wet or covered with dust, dry the power plug completely or wipe dust off. You may be electrocuted due to excess moisture.



- Make sure to connect Mains cable to compliant AC mains socket with Grounded earth pin. (Except for devices which are not grounded on earth.) Otherwise possibility you may be electrocuted or injured.



- Insert power cable plug completely into wall socket otherwise if not secured completely into socket, fire ignition may break out.



- Ensure the power cord does not come into contact with hot objects such as a heater. This may cause a fire or an electric shock hazard.



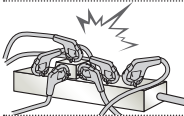
- Do not place a heavy object, or the product itself, on power cables. Otherwise, this may result in fire or electric shock.



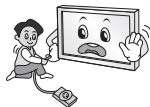
- Bend antenna cable between inside and outside building to prevent rain from flowing in.
This may cause water damaged inside the Product and could give an electric shock.



- When mounting TV onto wall make sure to neatly install and isolate cabling from rear of TV as to not create possibility of electric shock /fire hazard.



- Do not plug too many electrical devices into a single multiple electrical outlet.
Otherwise, this may result in fire due to over-heating.



- Do not drop the product or let it fall over when connecting external devices.
Otherwise, this may result in injury or damage to the product.



- Keep the anti-moisture packing material or vinyl packing out of the reach of children.
Anti-moisture material is harmful if swallowed. If swallowed by mistake, force the patient to vomit and visit the nearest hospital. Additionally, vinyl packing can cause suffocation. Keep it out of the reach of children.



- Do not let your children climb or cling onto the TV.
Otherwise, the TV may fall over, which may cause serious injury.



- Dispose of used batteries carefully to ensure that a small child does not consume them.
Please seek Doctor- Medical Attention immediately if child consumes batteries.



- Do not insert any metal objects/conductors (like a metal chopstick/cutlery/ screwdriver) between power cable plug and input Wall Socket while it is connected to the input terminal on the wall. Additionally, do not touch the power cable right after plugging into the wall input terminal. You may be electrocuted.
(Depending on model)



- Do not put or store inflammable substances near the product.
There is a danger of combustion/explosion or fire due to careless handling of the inflammable substances.



- Do not drop metallic objects such as coins, hair pins, chopsticks or wire into the product, or inflammable objects such as paper and matches. Children must pay particular attention.
Electrical shock, fire or injury can occur. If a foreign object is dropped into the product, unplug the power cord and contact the service centre.



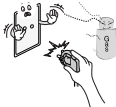
- Do not spray water on the product or scrub with an inflammable substance (thinner or benzene). Fire or electric shock accident can occur.



- Do not allow any impact, shock or any objects to fall into the unit, and do not drop anything onto the screen. You may be injured or the product can be damaged.



- Never touch this product or antenna during a thunder or lighting storm. You may be electrocuted.



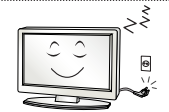
- Never touch the wall outlet when there is leakage of gas, open the windows and ventilate. It may cause a fire or a burn by a spark.



- Do not disassemble, repair or modify the product at your own discretion. Fire or electric shock accident can occur. Contact the service centre for check, calibration or repair.



- If any of the following occur, unplug the product immediately and contact your local service centre.
 - The product has been impacted by shock
 - The product has been damaged
 - Foreign objects have entered the product
 - The product produced smoke or a strange smell
 This may result in fire or electric shock.



- Unplug the TV from AC mains wall socket if you do not intend to use the TV for a long period of time. Accumulated dust can cause fire hazard and insulation deterioration can cause electric leakage/shock/fire.



- Apparatus shall not be exposed to dripping or splashing and no objects filled with liquids, such as vases, shall be placed on the apparatus.

- Do not install this product on a wall if it could be exposed to oil or oil mist. This may damage the product and cause it to fall.

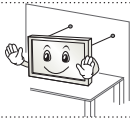
CAUTION



- Install the product where no radio wave occurs.
- There should be enough distance between an outside antenna and power lines to keep the former from touching the latter even when the antenna falls. This may cause an electric shock.



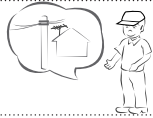
- Do not install the product on places such as unstable shelves or inclined surfaces. Also avoid places where there is vibration or where the product cannot be fully supported. Otherwise, the product may fall or flip over, which may cause injury or damage to the product.



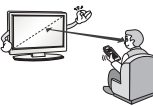
- If you install the TV on a stand, you need to take actions to prevent the product from overturning. Otherwise, the product may fall over, which may cause injury.

- If you intend to mount the product to a wall, attach VESA standard mounting interface (optional parts) to the back of the product. When you install the set to use the wall mounting bracket (optional parts), fix it carefully so as not to drop.

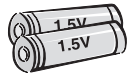
- Only use the attachments / accessories specified by the manufacturer.



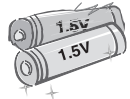
- When installing the antenna, consult with a qualified service technician. If not installed by a qualified technician, this may create a fire hazard or an electric shock hazard.



- We recommend that you maintain a distance of at least 2 to 7 times the diagonal screen size when watching TV. If you watch TV for a long period of time, this may cause blurred vision.



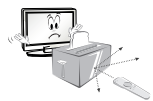
- Only use the specified type of battery. This could cause damage to the remote control.



- Do not mix new batteries with old batteries. This may cause the batteries to overheat and leak.

- Batteries should not be exposed to excessive heat. For example, keep away from direct Sunlight , open fireplace and electric heaters .

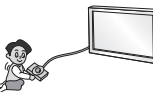
- Do not place non-rechargeable batteries in charging device.



- Make sure there are no objects between the remote control and its sensor.



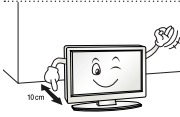
- Signal from Remote Control can be interrupted due to external/internal lighting eg Sunlight, fluorescent lighting. If this occurs turn off lighting or darken viewing area.



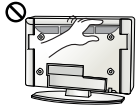
- When connecting external devices such as video game consoles, make sure the connecting cables are long enough. Otherwise, the product may fall over, which may cause injury or damage the product.



- Do not turn the product On/Off by plugging-in or unplugging the power plug to the wall outlet. (Do not use the power plug for switch.) It may cause mechanical failure or could give an electric shock.



- Please follow the installation instructions below to prevent the product from overheating.
 - The distance between the product and the wall should be more than 10 cm.
 - Do not install the product in a place with no ventilation (e.g., on a bookshelf or in a cupboard).
 - Do not install the product on a carpet or cushion.
 - Make sure the air vent is not blocked by a tablecloth or curtain.
- Otherwise, this may result in fire.

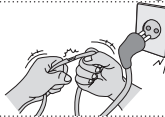


- Take care not to touch the ventilation openings when watching the TV for long periods as the ventilation openings may become hot. This does not affect the operation or performance of the product.

- Periodically examine the cord of your appliance, and if its appearance indicates damage or deterioration, unplug it, discontinue use of the appliance, and have the cord replaced with an exact replacement part by an authorized servicer.



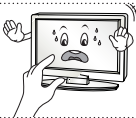
- Prevent dust collecting on the power plug pins or outlet. This may cause a fire hazard.



- Protect the power cord from physical or mechanical abuse, such as being twisted, kinked, pinched, closed in a door, or walked upon. Pay particular attention to plugs, wall outlets, and the point where the cord exits the appliance.



- Do not press strongly upon the panel with a hand or sharp object such as nail, pencil or pen, or make a scratch on it, as it may cause damage to screen.



- Avoid touching the screen or holding your finger(s) against it for long periods of time. Doing so may produce some temporary or permanent distortion/damage to screen.



- When cleaning the product and its components, unplug the power first and wipe it with a soft cloth. Applying excessive force may cause scratches or discoloration. Do not spray with water or wipe with a wet cloth. Never use glass cleaner, car or industrial shiner, abrasives or wax, benzene, alcohol etc., which can damage the product and its panel. Otherwise, this may result in fire, electric shock or product damage (deformation, corrosion or breakage).

- As long as this unit is connected to the AC wall outlet, it is not disconnected from the AC power source even if you turn off this unit by SWITCH.



- When unplugging the cable, grab the plug and unplug it, by pulling at the plug. Don't pull at the cord to unplug the power cord from the power board, as this could be hazardous.



- When moving the product, make sure you turn the power off first. Then, unplug the power cables, antenna cables and all connecting cables. The TV set or power cord may be damaged, which may create a fire hazard or cause electric shock.



- When moving or unpacking the product, work in pairs because the product is heavy. Otherwise, this may result in injury.



- Contact the service centre once a year to clean the internal parts of the product. Accumulated dust can cause mechanical failure.



- Refer all servicing to qualified service personnel. Servicing is required when the apparatus has been damaged in any way, such as power supply cord or plug is damaged, liquid has been spilled or objects have fallen into the apparatus, the apparatus has been exposed to rain or moisture, does not operate normally, or has been dropped.



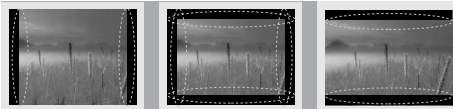
- If the product feels cold to the touch, there may be a small "flicker" when it is turned on. This is normal, there is nothing wrong with product.



- The panel is a high technology display product with resolution of two million to six million pixels. You may see tiny black dots and/or brightly coloured dots (red, blue or green) at a size of 1 ppm on the panel. This does not indicate a malfunction and does not affect the performance and reliability of the product. This phenomenon also occurs in third-party products and is not subject to exchange or refund.



- You may find different brightness and color of the panel depending on your viewing position(left/right/top/down). This phenomenon occurs due to the characteristic of the panel. It is not related with the product performance, and it is not malfunction.



- Displaying a still image (e.g., broadcasting channel logo, on-screen menu, scene from a video game) for a prolonged time may cause damage to the screen, resulting in retention of the image, which is known as image sticking. The warranty does not cover the product for image sticking. Avoid displaying a fixed image on your television's screen for a prolonged period (2 or more hours for LCD, 1 or more hours for Plasma). Also, if you watch the TV at a ratio of 4:3 for a long time, image sticking may occur on the borders of the panel. This phenomenon also occurs in third-party products and is not subject to exchange or refund.

• Generated Sound

"Cracking" noise: A cracking noise that occurs when watching or turning off the TV is generated by plastic thermal contraction due to temperature and humidity. This noise is common for products where thermal deformation is required. Electrical circuit humming/panel buzzing: A low level noise is generated from a high-speed switching circuit, which supplies a large amount of current to operate a product. It varies depending on the product.

This generated sound does not affect the performance and reliability of the product.

Viewing 3D Imaging (Only 3D models)



WARNING

Viewing Environment

- Viewing Time
 - When watching 3D contents, take 5 - 15 minute breaks every hour. Viewing 3D contents for a long period of time may cause headache, dizziness, fatigue or eye strain.

Those that have a photosensitive seizure or chronic illness

- Some users may experience a seizure or other abnormal symptoms when they are exposed to a flashing light or particular pattern from 3D contents.
- Do not watch 3D videos if you feel nausea, are pregnant and/ or have a chronic illness such as epilepsy, cardiac disorder, or blood pressure disease, etc.
- 3D Contents are not recommended to those who suffer from stereo blindness or stereo anomaly. Double images or discomfort in viewing may be experienced.
- If you have strabismus (cross-eyed), amblyopia (weak eyesight) or astigmatism, you may have trouble sensing depth and easily feel fatigue due to double images. It is advised to take frequent breaks than the average adult.
- If your eyesight varies between your right and left eye, revise your eyesight prior to watching 3D contents.

Symptoms which require discontinuation or refraining from watching 3D contents

- Do not watch 3D contents when you feel fatigue from lack of sleep, overwork or drinking.
- When these symptoms are experienced, stop using/watching 3D contents and get enough rest until the symptom subsides.
 - Consult your doctor when the symptoms persist. Symptoms may include headache, eyeball pain, dizziness, nausea, palpitation, blurriness, discomfort, double image, visual inconvenience or fatigue.

**CAUTION**

ENGLISH

Viewing Environment

- Viewing Distance
 - Maintain a distance of at least twice the screen diagonal length when watching 3D contents. If you feel discomfort in viewing 3D contents, move further away from the TV.

Viewing Age

- Infants/Children
 - Usage/ Viewing 3D contents for children under the age of 6 are prohibited.
 - Children under the age of 10 may overreact and become overly excited because their vision is in development (for example: trying to touch the screen or trying to jump into it. Special monitoring and extra attention is required for children watching 3D contents.
 - Children have greater binocular disparity of 3D presentations than adults because the distance between the eyes is shorter than that of adults. Therefore they will perceive more stereoscopic depth compared to adults for the same 3D image.
- Teenagers
 - Teenagers under the age of 19 may react with sensitivity due to stimulation from light in 3D contents. Advise them to refrain from watching 3D contents for a long time when they are tired.
- Elderly
 - The elderly may perceive less 3D effect compared to the young. Do not sit closer to the TV than the recommended distance.

Cautions when using the 3D glasses

- Make sure to use LG 3D glasses. Otherwise, you may not be able to view 3D videos properly.
- Do not use 3D glasses instead of your normal glasses, sunglasses or protective goggles.
- Using modified 3D glasses may cause eye strain or image distortion.
- Do not keep your 3D glasses in extremely high or low temperatures. It will cause deformation.
- The 3D glasses are fragile and are easily scratched. Always use a soft, clean piece of cloth when wiping the lenses. Do not scratch the lenses of the 3D glasses with sharp objects or clean/wipe them with chemicals.

NOTE

- Image shown may differ from your TV.
- Your TV's OSD (On Screen Display) may differ slightly from that shown in this manual.
- The available menus and options may differ from the input source or product model that you are using.
- New features may be added to this TV in the future.
- The TV can be placed in standby mode in order to reduce the power consumption. And the TV should be turned off if it will not be watched for some time, as this will reduce energy consumption.
- The energy consumed during use can be significantly reduced if the level of brightness of the picture is reduced, and this will reduce the overall running cost.

INSTALLATION PROCEDURE

- 1 Open the package and make sure all the accessories are included.
- 2 Attach the stand to the TV set.
- 3 Connect an external device to the TV set.
- 4 Make sure the network connection is available.
You can use the TV network functions only when the network connection is made.

* If the TV is turned on for the first time after it was shipped from the factory, initialization of the TV may take up to one minute.

ASSEMBLING AND PREPARING

Unpacking

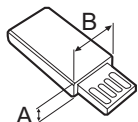
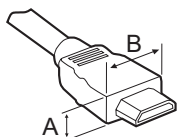
Check your product box for the following items. If there are any missing accessories, contact the local dealer where you purchased your product. The illustrations in this manual may differ from the actual product and item.

CAUTION

- Do not use any unapproved items to ensure the safety and product life span.
- Any damage or injuries caused by using unapproved items are not covered by the warranty.
- Some models have a thin film attached on to the screen and this must not be removed.

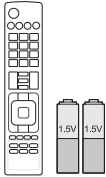
NOTE

- The items supplied with your product may vary depending on the model.
- Product specifications or contents of this manual may be changed without prior notice due to upgrade of product functions.
- For an optimal connection, HDMI cables and USB devices should have bezels less than 10 mm thick and 18 mm width. Use an extension cable that supports USB 2.0 if the USB cable or USB memory stick does not fit into your TV's USB port.

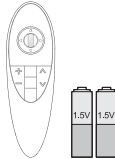


*A ≦ 10 mm

*B ≦ 18 mm



Remote Control, Batteries (AAA)
 (Depending on model)
 The remote control will not be included for all sales market.
 (See p. 42, 43)



Magic Remote, Batteries (AA)
 (Only LB67**, LB68**, LB69**, LB72**, LB73**, LB86**, LB87**)
 (See p. 44)



Owner's Manual



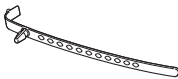
Tag on



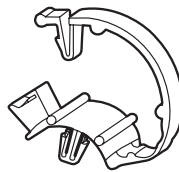
Cinema 3D Glasses
 The number of 3D glasses may differ depending on the model or country.
 (Only LB65**, LB67**, LB68**, LB69**, LB72**, LB73**, LB86**, LB87**)



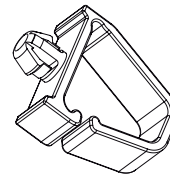
Dual Play Glasses
 (Depending on model)



Cable Holder
 (Depending on model)
 (See p. 30, 31)



Cable Managements
 2EA
 (Only LB63**, LB65**-ZA/ZK/ZH/ZL, LB67**, LB68**, LB69**, LB72**, LB73**-ZA)
 (See p. 30, 31)



Cable Managements
 2EA
 (Only LB73**-ZD/ZE)
 (See p. 31)



Power Cord



Stand Screws

2EA, M4 x L20
 (Only 32/39LB65**-ZE/ZN)
 4EA, M4 x L20
 (Only 32LB65**-ZA/ZK)
 (See p. 21, 22, 23)



Stand Screws

4EA, M4 x L14
 (Only LB63**, 39LB65**-ZA/
 ZK, 42/47/50/55/60/70LB65**,
 LB67**, LB68**, LB69**,
 LB72**, LB73**)
 8EA, M4 x L14
 (Only LB86**, LB87**)
 (See p. 21, 22, 24, 25, 26, 27)



Stand Screws

4EA, M4 x L20
 (Only LB65**-ZE/ZN)
 (See p. 22, 23)



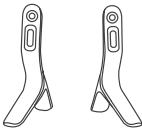
Stand Screws

4EA, M4 x L10
 (Only LB73**-ZD/ZE)
 (See p. 24)



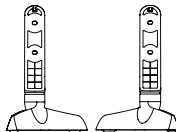
Rubbers

2EA
 (Only LB65**-ZE/ZN)
 (See p. 26)



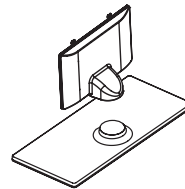
Stand Bases

(Only LB63**-ZA,
 32/39/42/47/50/55LB65**-
 ZA)
 (See p. 21)



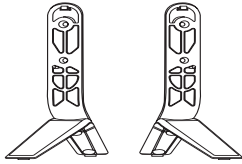
Stand Bases

(Only LB63**-ZL, LB65**-ZK)
 (See p. 22)



Stand Base/Stand Body

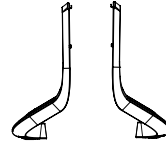
(Only LB65**-ZE/ZN)
 (See p. 22, 23)



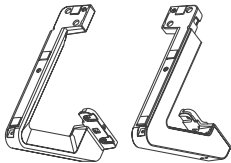
Stand Assys
(Stand Base/Stand Body)
 (Only 70LB65**-ZA, LB67**,
 LB68**, LB69**, LB72**,
 LB73**-ZA)
 (See p. 21)



Stand Front
 (Only LB73**-ZD/ZE)
 (See p. 24)



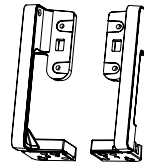
Stand Supporters
 (Only LB73**-ZD/ZE)
 (See p. 24)



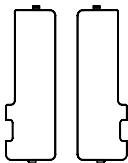
Stand Assys
 (Only LB86**, LB87**)
 (See p. 25)



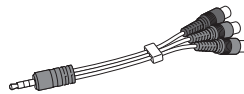
Sound Bar
 (Only LB86**, LB87**)
 (See p. 25, 26)



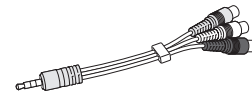
Sound Bar Supporters
 (Only LB86**, LB87**)
 (See p. 26)



Screw Covers
 (Only LB86**, LB87**)
 (See p. 25, 27)



Component Gender Cable
 (Only LB86**, LB87**)
 (See p. 37)



Composite Gender Cable
 (Only LB86**, LB87**)
 (See p. 37, 38)



Scart Gender Cable
 (Only LB86**, LB87**)
 (See p. 41)



Wall Mount Spacers
 2EA
 (Only 42LB63**, 42LB65**)
 (See p. 30)

Separate purchase

Separate purchase items can be changed or modified for quality improvement without any notification. Contact your dealer to buy these items. These devices only work with certain models.

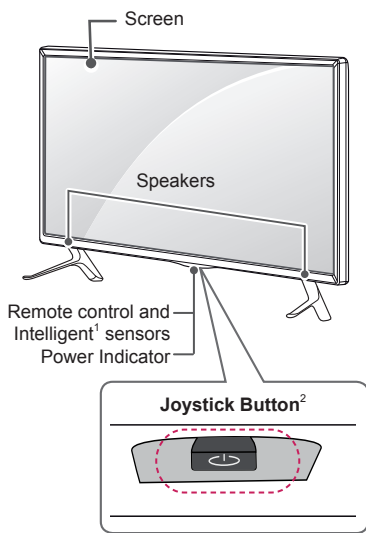
AG-F***DP Dual Play Glasses	AG-F*** Cinema 3D Glasses	AN-MR500 Magic Remote
AN-VC5** Video Call Camera	LG Audio Device	Tag on

Compatibility	LB63**	LB65**	LB67**, LB68**, LB69**, LB72**, LB73**, LB86**	LB87**
AG-F***DP Dual Play Glasses		•	•	•
AG-F*** Cinema 3D Glasses		•	•	•
AN-MR500 Magic Remote	•	•	•	•
AN-VC5** Video Call Camera	•	•	•	
LG Audio Device	•	•	•	•
Tag On	•	•	•	•

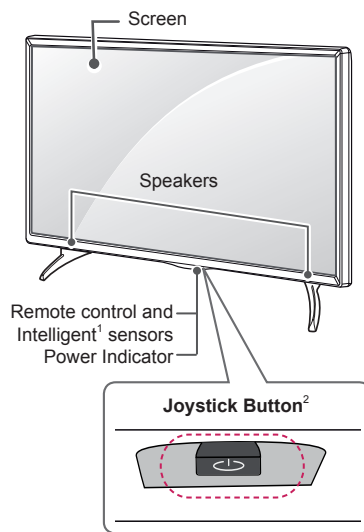
The model name or design may be changed depending on the upgrade of product functions, manufacturer's circumstances or policies.

Parts and buttons

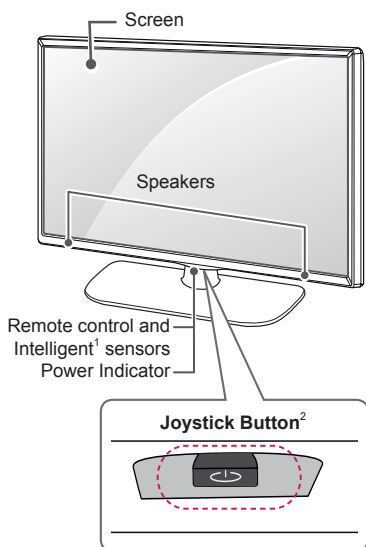
A type : LB63**-ZA, LB65**-ZA



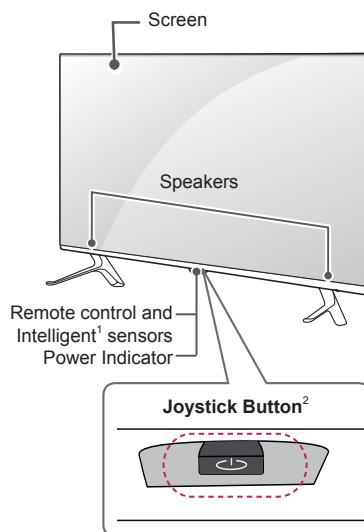
B type : LB63**-ZL, LB65**-ZK



C type : LB65**-ZE/ZN



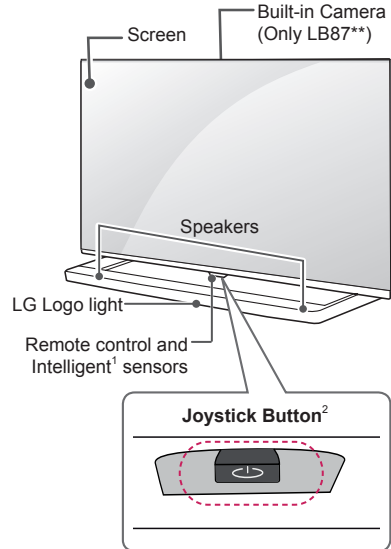
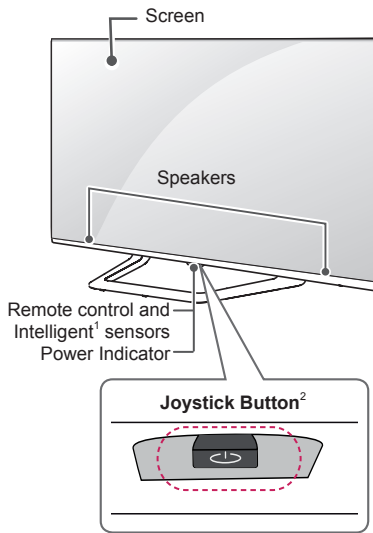
D type : LB67**, LB68**, LB69**, LB72**, LB73**-ZA



ENGLISH

E type : LB73**-ZE/ZD

F type : LB86**, LB87**



- 1 Intelligent sensor - Adjusts the image quality and brightness based on the surrounding environment.
- 2 Joystick Button - This button is located below the TV screen.



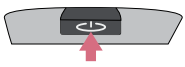
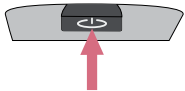

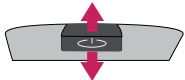
NOTE

- You can set the LG Logo Light or Power Indicator Light to on or off by selecting **OPTION** in the main menus. (Depending on model)

Using the Joystick button

You can simply operate the TV functions, pressing or moving the joystick button up, down, left or right.

Basic Functions

	Power On	When the TV is turned off, place your finger on the joystick button and press it once and release it.
	Power Off	When the TV is turned on, place your finger on the joystick button and press it once for a few seconds and release it.
	Volume Control	If you place your finger over the joystick button and move it left or right, you can adjust the volume level you want.
	Programmes Control	If you place your finger over the joystick button and move it up or down, you can scrolls through the saved programmes you want.







NOTE

- When your finger over the joystick button and push it to the up, down, left or right, be careful not to press the joystick button. If you press the joystick button first, you can not adjust the volume level and saved programmes.

Adjusting the Menu

When the TV is turned on, press the joystick button one time.

You can adjust the Menu items (⏻, ✕, 📺) moving the joystick button up, down, left or right.

		TV OFF	Turns the power off.
		CLOSE	Clears on-screen displays and returns to TV viewing.
		INPUT	Changes the input source.

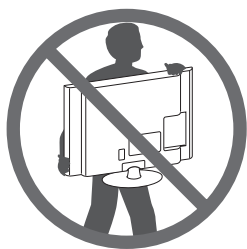
Lifting and moving the TV

Please note the following advice to prevent the TV from being scratched or damaged and for safe transportation regardless of its type and size.

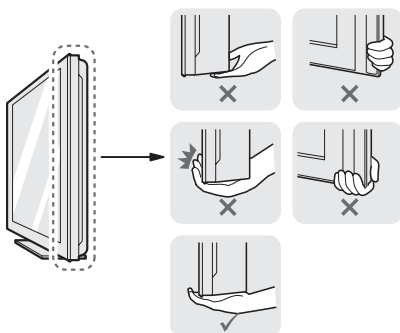


CAUTION

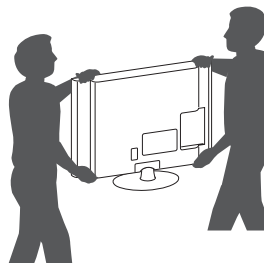
- Avoid touching the screen at all times, as this may result in damage to the screen.
- It is recommended to move the TV in the box or packing material that the TV originally came in.
- Before moving or lifting the TV, disconnect the power cord and all cables.
- When holding the TV, the screen should face away from you to avoid damage.



- Hold the top and bottom of the TV frame firmly. Make sure not to hold the transparent part, speaker, or speaker grill area.



- When transporting a large TV, there should be at least 2 people.
- When transporting the TV by hand, hold the TV as shown in the following illustration.



- When transporting the TV, do not expose the TV to jolts or excessive vibration.
- When transporting the TV, keep the TV upright, never turn the TV on its side or tilt towards the left or right.
- Do not apply excessive pressure to cause flexing /bending of frame chassis as it may damage screen.
- When handling the TV, be careful not to damage the protruding joystick button.

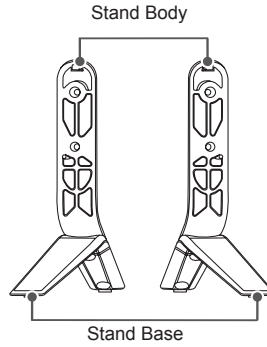
Setting up the TV

Image shown may differ from your TV.

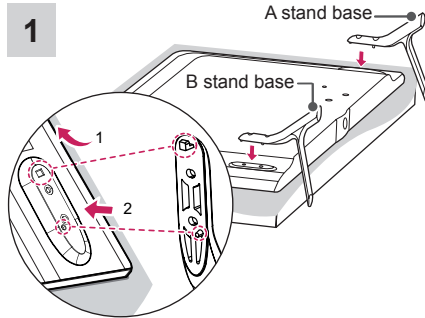
Attaching the stand

70LB65**-ZA, LB67**, LB68**, LB69**, LB72**, LB73**-ZA

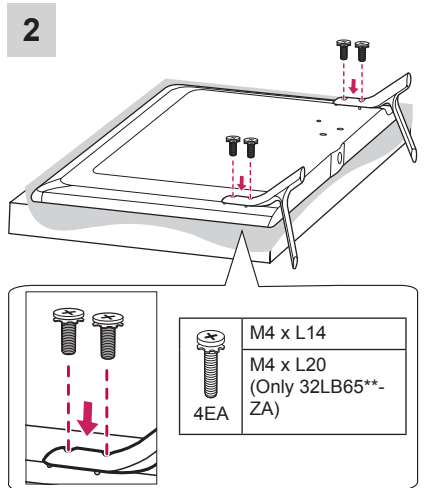
1



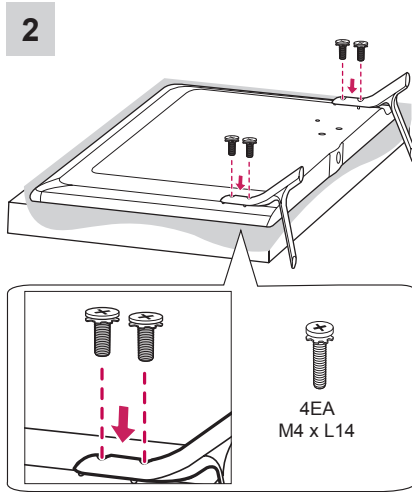
LB63**-ZA, 32/39/42/47/50/55LB65**-ZA



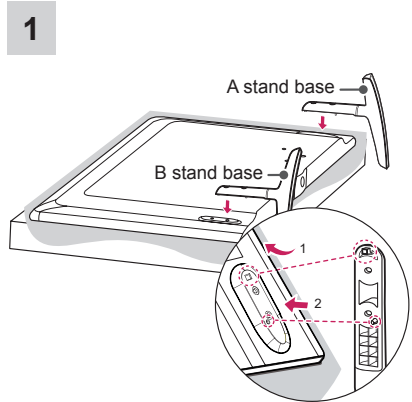
- 1 Attach the stand to the TV using the upper mounting hole on the back of the TV.
- 2 Attach the stand to the TV using the lower connection on the back of the TV.



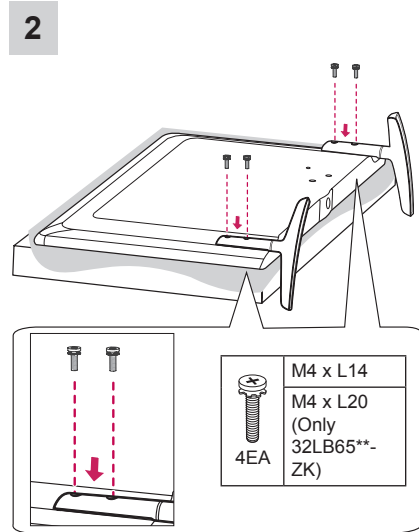
- 1 Attach the stand to the TV using the upper mounting hole on the back of the TV.
- 2 Attach the stand to the TV using the lower connection on the back of the TV.



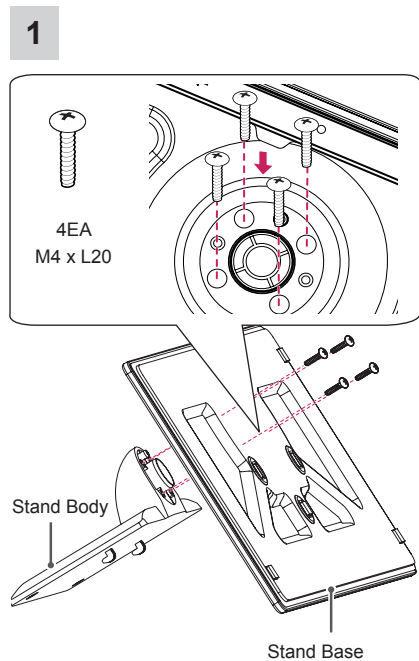
LB63**-ZL, LB65**-ZK



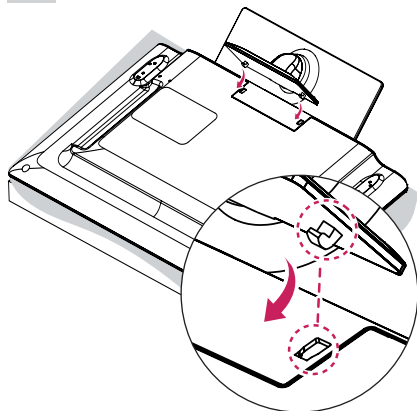
- 1 Attach the stand to the TV using the upper mounting hole on the back of the TV.
- 2 Attach the stand to the TV using the lower connection on the back of the TV.



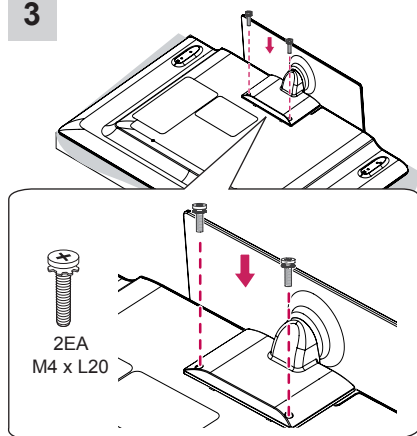
32/39LB65**-ZE/ZN



2

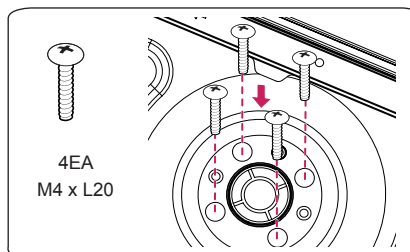


3

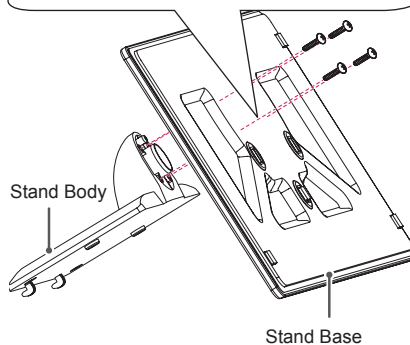


42/47/50/55/60LB65**-ZE/ZN

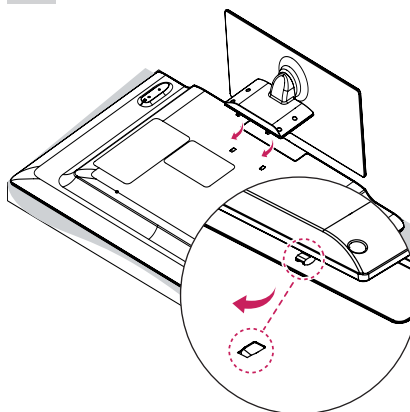
1

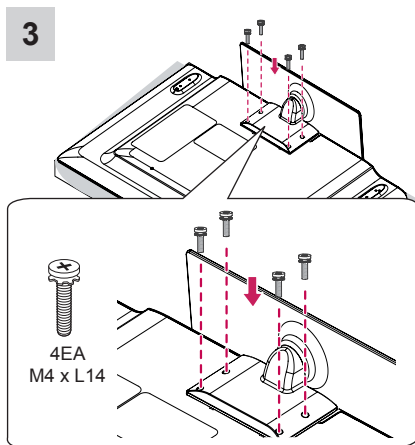


4EA
M4 x L20

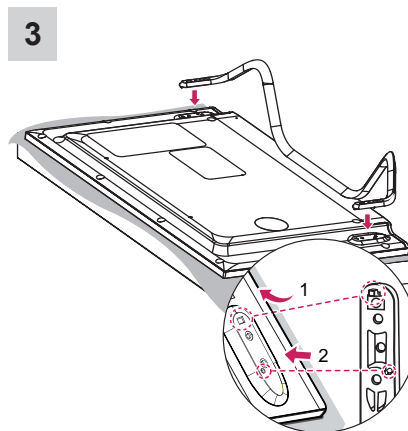
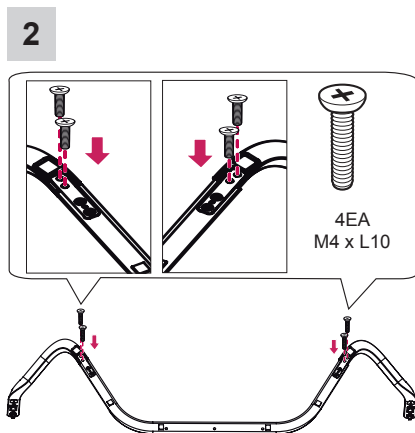
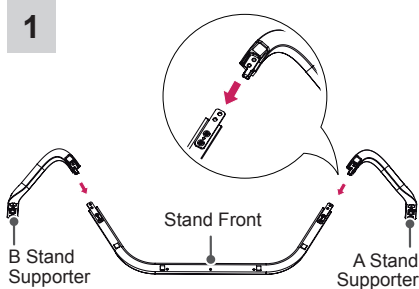


2

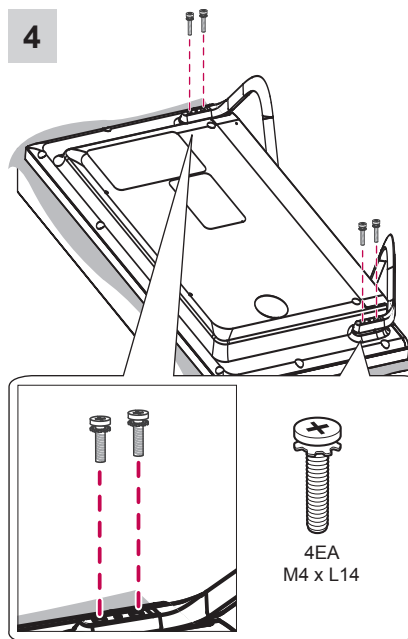




LB73**-ZD/ZE

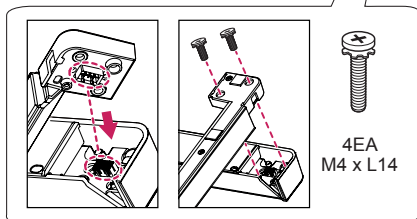
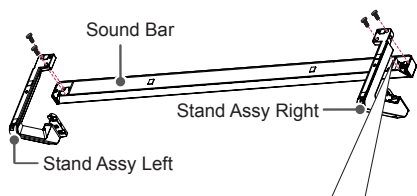


- 1 Attach the stand to the TV using the upper mounting hole on the back of the TV.
- 2 Attach the stand to the TV using the lower connection on the back of the TV.

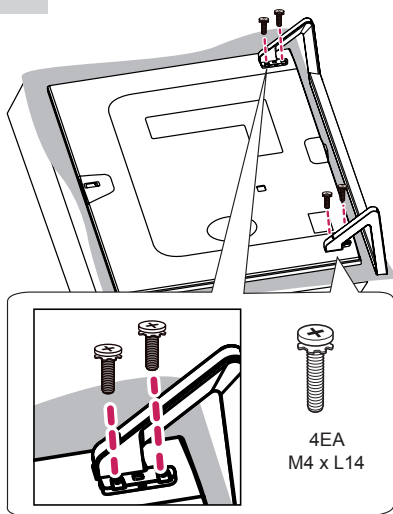


LB86**, LB87**

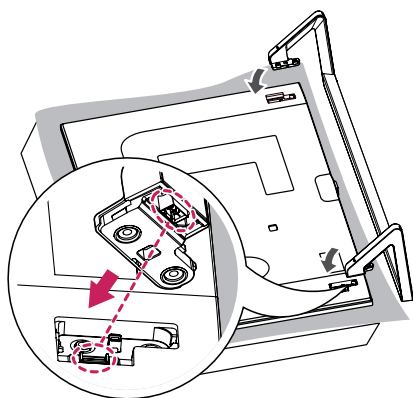
1



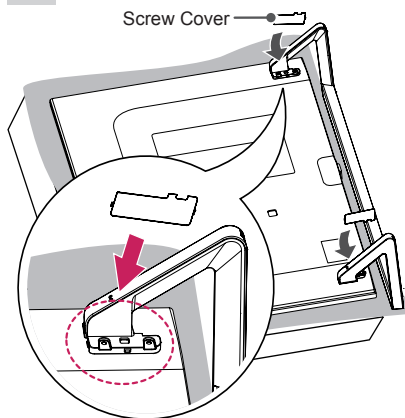
3



2



4

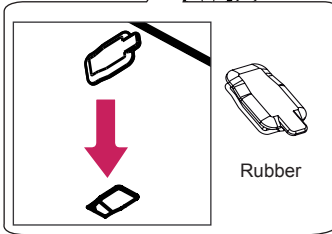
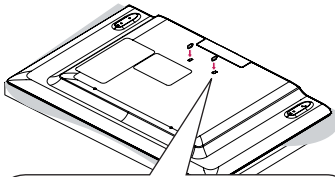


CAUTION

- When attaching the stand to the TV set, place the screen facing down on a cushioned table or flat surface to protect the screen from scratches.
- Make sure that the screws are inserted correctly and fastened securely. (If they are not fastened securely enough, the TV may tilt forward after being installed.) Do not use too much force and over tighten the screws; otherwise screw may be damaged and not tighten correctly.

NOTE

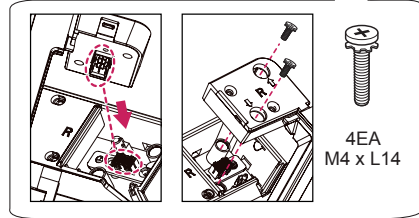
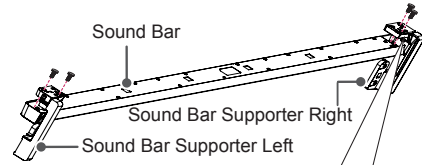
- Remove the stand before installing the TV on a wall mount by performing the stand attachment in reverse.
- Screw Cover will protect the opening from accumulating dust and dirt.
- Rubber will protect the opening from accumulating dust and dirt. When installing the wall mounting bracket, use the Rubber. (Only LB65**-ZE/ZN)



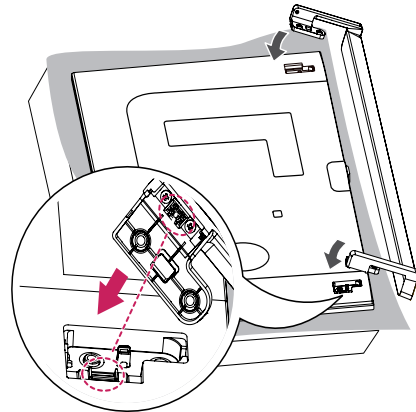
Attaching the Sound Bar Supporter

(In case of mounting on a wall)
LB86**, LB87**

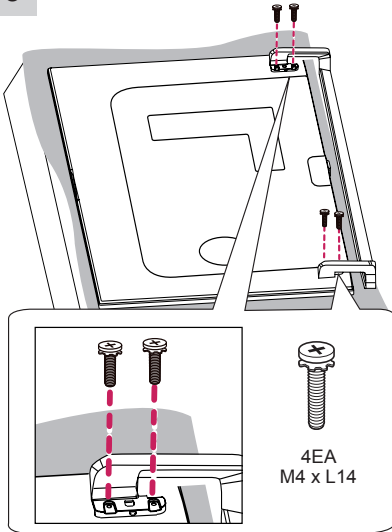
1



2



3

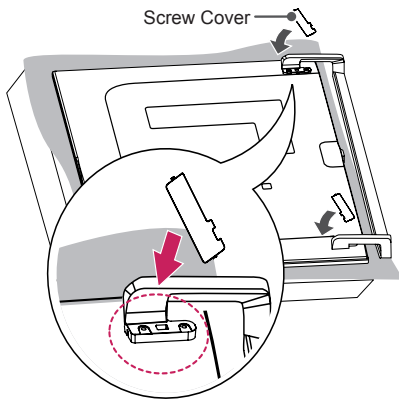
**CAUTION**

- When attaching the sound bar supporter to the TV set, place the screen facing down on a cushioned table or flat surface to protect the screen from scratches.
- Make sure that the screws are inserted correctly and fastened securely. (If they are not fastened securely enough, the TV may tilt forward after being installed.) Do not use too much force and over tighten the screws; otherwise screw may be damaged and not tighten correctly.
- The sound bar supporter only uses for wall mounting.

**NOTE**

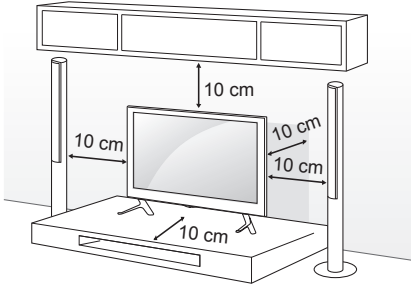
- Remove the sound bar supporter before installing the stand by performing the stand attachment in reverse.
- The Screw Cover will protect the opening from accumulating dust and dirty.

4



Mounting on a table

- 1 Lift and tilt the TV into its upright position on a table.
 - Leave a 10 cm (minimum) space from the wall for proper ventilation.



- 2 Connect the power cord to a wall outlet.



CAUTION

- Do not place the TV near or on sources of heat, as this may result in fire or other damage.

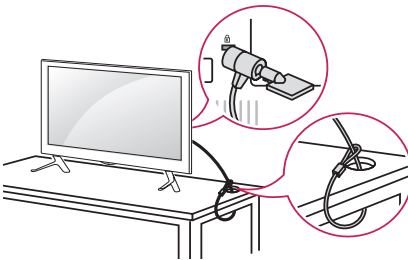
Using the Kensington security system

(This not available for all models.)

- Image shown may differ from your TV.

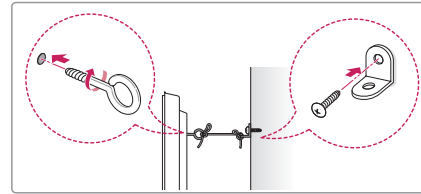
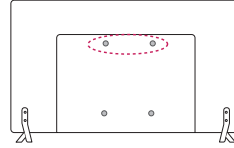
The Kensington security system connector is located at the rear of the TV. For more information of installation and using, refer to the manual provided with the Kensington security system or visit <http://www.kensington.com>.

Connect the Kensington security system cable between the TV and a table.



Securing the TV to a wall

(This feature is not available for all models.)



- 1 Insert and tighten the eye-bolts, or TV brackets and bolts on the back of the TV.
 - If there are bolts inserted at the eye-bolts position, remove the bolts first.
- 2 Mount the wall brackets with the bolts to the wall.

Match the location of the wall bracket and the eye-bolts on the rear of the TV.
- 3 Connect the eye-bolts and wall brackets tightly with a sturdy rope.

Make sure to keep the rope horizontal with the flat surface.



CAUTION

- Make sure that children do not climb on or hang on the TV.

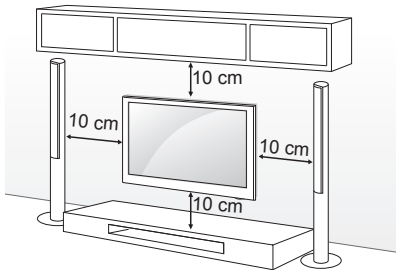


NOTE

- Use a platform or cabinet that is strong and large enough to support the TV securely.
- Brackets, bolts and ropes are not provided. You can obtain additional accessories from your local dealer.

Mounting on a wall

Attach an optional wall mount bracket at the rear of the TV carefully and install the wall mount bracket on a solid wall perpendicular to the floor. When you attach the TV to other building materials, please contact qualified personnel. LG recommends that wall mounting be performed by a qualified professional installer.

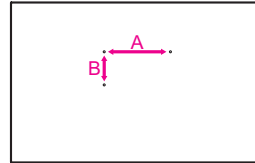


Make sure to use screws and wall mount bracket that meet the VESA standard. Standard dimensions for the wall mount kits are described in the following table.

Separate purchase(Wall Mounting Bracket)

Model	32/39LB65**	42/47/55LB63** 42/47/50/55LB65** 49/55LB86** 49/55LB87**
VESA (A x B)	200 x 200	400 x 400
Standard screw	M6	M6
Number of screws	4	4
Wall mount bracket	LSW240B MSW240	LSW440B MSW240
Model	60LB65** 42/47/50/55LB67** 42/47/55/60/65LB68** 42/47/55LB69** 42/47/55/60/65LB72** 42/47/55/60/65LB73** 60LB86** 60LB87**	70LB65**
VESA (A x B)	400 x 400	600 x 400
Standard screw	M6	M6
Number of screws	4	4
Wall mount bracket	LSW440B	LSW640B

Wall mount bracket			
MSW240	LSW240B	LSW440B	LSW640B

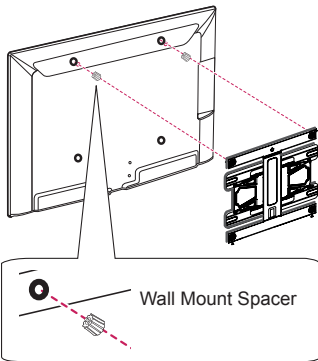


CAUTION

- Disconnect the power first, and then move or install the TV. Otherwise electric shock may occur.
- If you install the TV on a ceiling or slanted wall, it may fall and result in severe injury. Use an authorised LG wall mount and contact the local dealer or qualified personnel.
- Do not over tighten the screws as this may cause damage to the TV and void your warranty.
- Use the screws and wall mounts that meet the VESA standard. Any damages or injuries by misuse or using an improper accessory are not covered by the warranty.

NOTE

- Use the screws that are listed on the VESA standard screw specifications.
- The wall mount kit includes an installation manual and necessary parts.
- The wall mount bracket is not provided. You can obtain additional accessories from your local dealer.
- The length of screws may differ depending on the wall mount. Make sure to use the proper length.
- For more information, refer to the manual supplied with the wall mount.
- When attaching a wall mounting bracket to the TV, insert the wall mount spacers into the TV wall mount holes to adjust the vertical angle of the TV. (Only 42LB63**, 42LB65**)

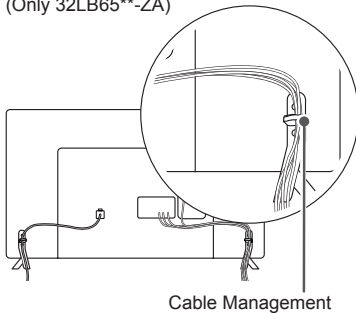


Tidying cables

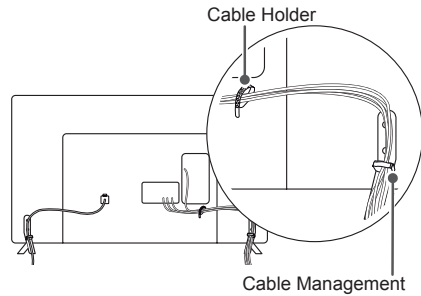
Image shown may differ from your TV.

- 1 Gather and bind the cables with the **cable holder**. (Depending on model)
- 2 Fix the **Cable Management** firmly to the TV.

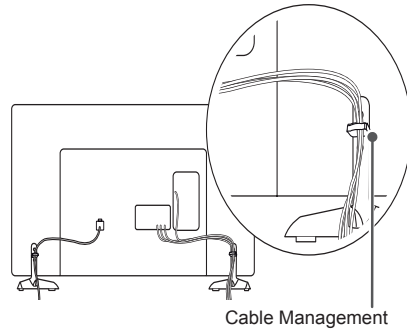
(Only 32LB65**-ZA)



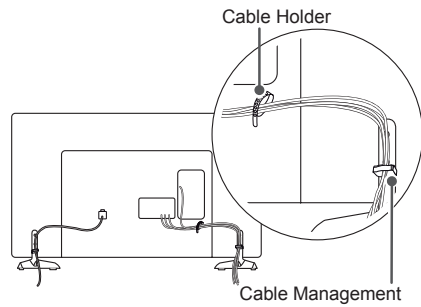
(Only LB63**-ZA, 39/42/47/50/55/60LB65**-ZA, LB67**, LB68**, LB69**, LB72**, LB73**-ZA)



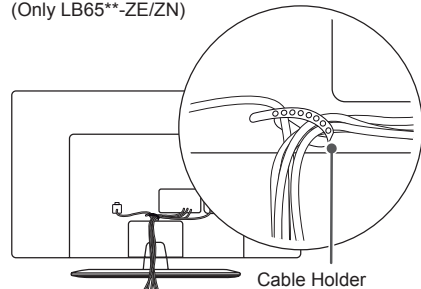
(Only 32LB65**-ZK)



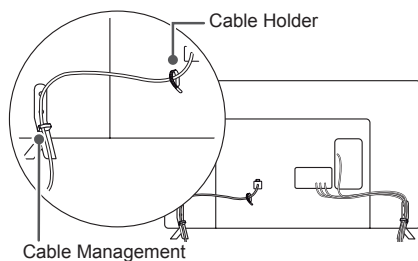
(Only LB63**-ZL, 39/42/47/50/55/60/70LB65**-ZK/ZL)



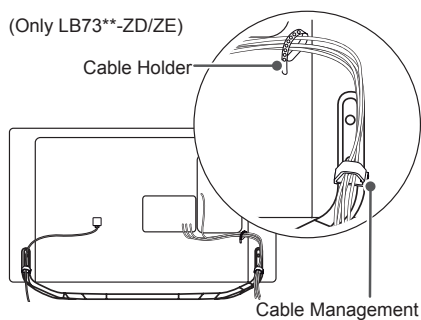
(Only LB65**-ZE/ZN)



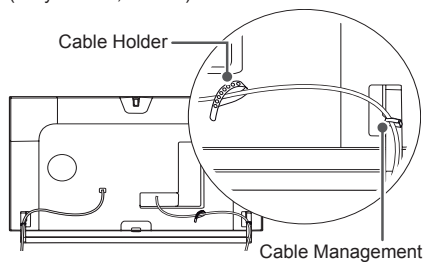
(Only 70LB65**)



(Only LB73**-ZD/ZE)



(Only LB86**, LB87**)

**CAUTION**

- Do not move the TV by holding the cable holders, as the cable holders may break, and injuries and damage to the TV may occur.

Using Built-in Camera

(Only LB87**)

You can make a Skype video call or use the motion recognition function using the built-in camera of the TV.

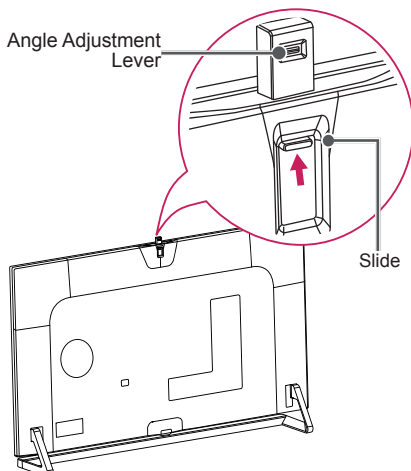
This TV does not support the use of an external camera.

**NOTE**

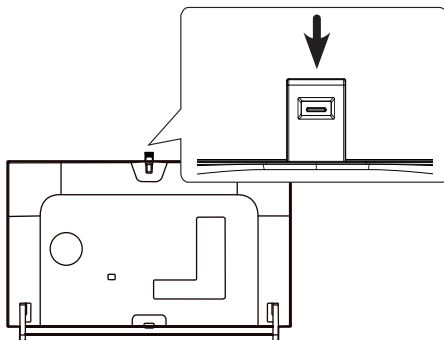
- Before using the built-in camera, you must recognize the fact that you are legally responsible for the use or misuse of the camera by the relevant national laws including the criminal law.
- The relevant laws include the Personal Information Protection law which regulates the processing and transferring of personal information and the law which regulates the monitoring by camera in a workplace and other places.
- When using the built-in camera, avoid questionable, illegal, or immoral situations. Other than at public places or events, consent to be photographed may be required. We suggest avoiding the following situations:
 - Using the camera in areas where the use of camera is generally prohibited such as restroom, locker room, fitting room and security area.
 - Using the camera while causing the infringement of privacy.
 - Using the camera while causing the violation of the relevant regulations or laws.

Preparing Built-in Camera

1 Pull up the slide at the back of the TV.



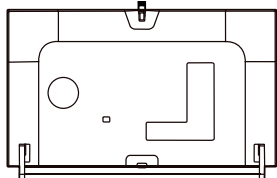
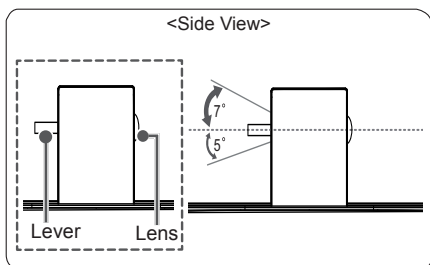
3 Push down the built-in camera when you are not using it.



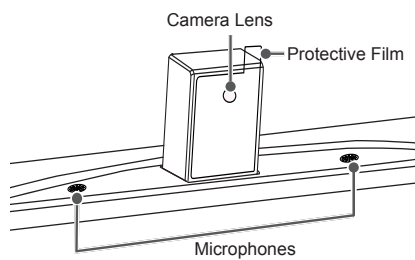
NOTE

- Remove the protective film before using the built-in camera.

2 You can adjust the angle of the camera with the angle adjustment lever on the back of the built-in camera.



Name of Parts of Built-in Camera



Checking the Camera's Shooting Range

- Press the (SmartHome) button on the remote control to display the **Launcher** menu.
- Select **CAMERA** and then press the **Wheel(OK)** button.

NOTE

- The optimal distance from the camera to use the motion recognition function is between 1.5 m and 4.5 m.

MAKING CONNECTIONS

This section on **MAKING CONNECTIONS** mainly uses diagrams for the LB67** models.

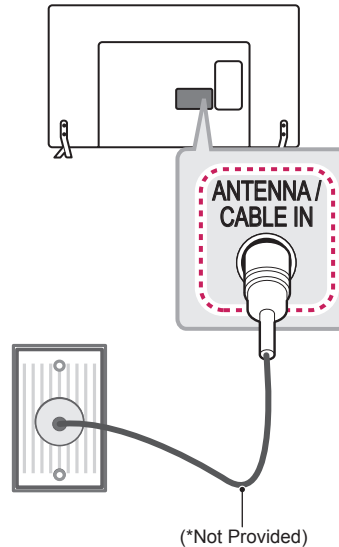
Connect various external devices to the TV and switch input modes to select an external device. For more information of external device's connection, refer to the manual provided with each device.

Available external devices are: HD receivers, DVD players, VCRs, audio systems, USB storage devices, PC, gaming devices, and other external devices.

NOTE

- The external device connection may differ from the model.
(LB86**/LB87** : HDMI/DVI IN 1/2/3/4)
- Connect external devices to the TV regardless of the order of the TV port.
- If you record a TV program on a DVD recorder or VCR, make sure to connect the TV signal input cable to the TV through a DVD recorder or VCR. For more information of recording, refer to the manual provided with the connected device.
- Refer to the external equipment's manual for operating instructions.
- If you connect a gaming device to the TV, use the cable supplied with the gaming device.
- In PC mode, there may be noise associated with the resolution, vertical pattern, contrast or brightness. If noise is present, change the PC output to another resolution, change the refresh rate to another rate or adjust the brightness and contrast on the PICTURE menu until the picture is clear.
- In PC mode, some resolution settings may not work properly depending on the graphics card.

Antenna connection



Connect the TV to a wall antenna socket with an RF cable (75 Ω).

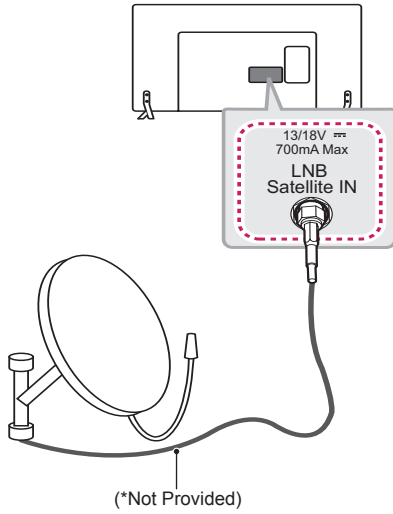
NOTE

- Use a signal splitter to use more than 2 TVs.
- If the image quality is poor, install a signal amplifier properly to improve the image quality.
- If the image quality is poor with an antenna connected, try to realign the antenna in the correct direction.
- An antenna cable and converter are not supplied.
- Supported DTV Audio: MPEG, Dolby Digital, Dolby Digital Plus, HE-AAC

ENGLISH

Satellite dish connection

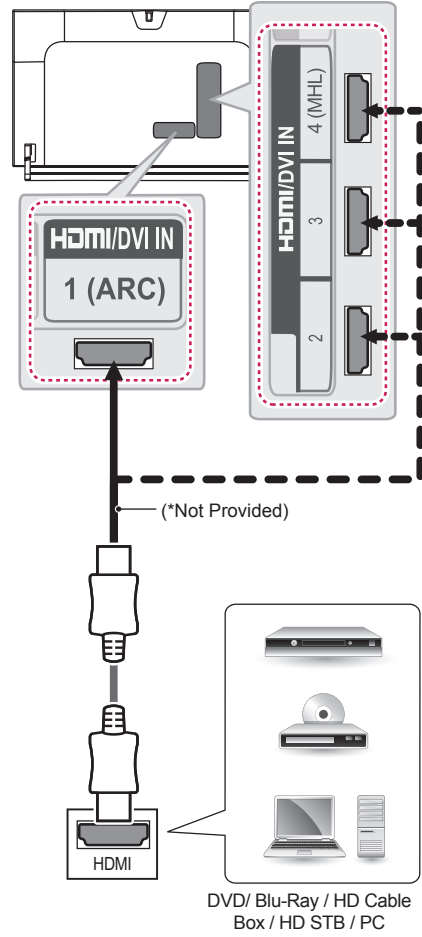
(Only satellite models)



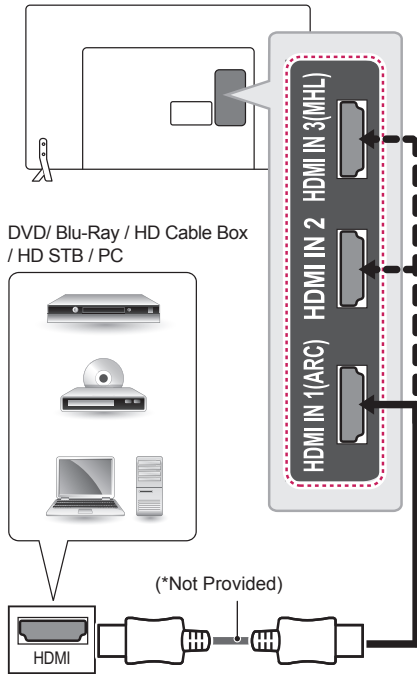
Connect the TV to a satellite dish to a satellite socket with a satellite RF cable (75 Ω).

HDMI connection

(Only LB86**, LB87**)



(Only LB63**, LB65**, LB67**, LB68**, LB69**, LB72**, LB73**)



Transmits the digital video and audio signals from an external device to the TV. Connect the external device and the TV with the HDMI cable as shown. Choose any HDMI input port to connect. It does not matter which port you use.

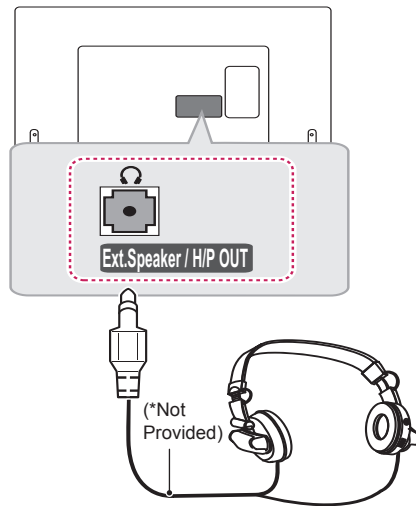
NOTE

- It is recommended to use the TV with the HDMI connection for the best image quality.
- Use the latest High Speed HDMI™ Cable with CEC (Customer Electronics Control) function.
- High Speed HDMI™ Cables are tested to carry an HD signal up to 1080p and higher.
- Supported HDMI Audio format : Dolby Digital, DTS, PCM (Up to 192 KHz, 32KHz/44.1KHz/48KHz/88KHz/96KHz/176KHz/192KHz)

ARC (Audio Return Channel)

- An external audio device that supports SIMPLINK and ARC must be connected using **HDMI IN 1 (ARC)** or **HDMI/DVI IN 1 (ARC)** port.
- When connected with a high-speed HDMI cable, the external audio device that supports ARC outputs optical SPDIF without additional optical audio cable and supports the SIMPLINK function.

Headphone connection



Transmits the headphone signal from the TV to an external device. Connect the external device and the TV with the headphone as shown.

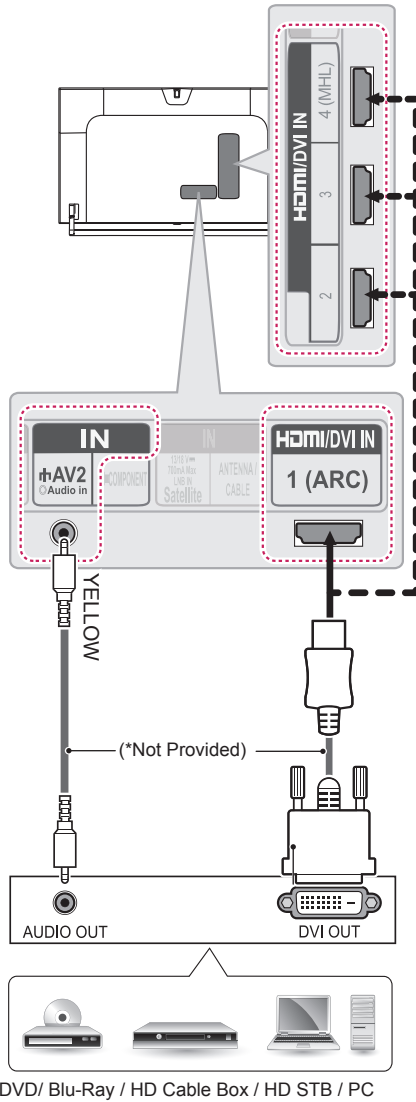
NOTE

- AUDIO menu items are disabled when connecting a headphone.
- Optical Digital Audio Out is not available when connecting a headphone.
- Headphone impedance: 16 Ω
- Max audio output of headphone: 0.624 mW to 1.04 mW
- Headphone jack size: 0.35 cm

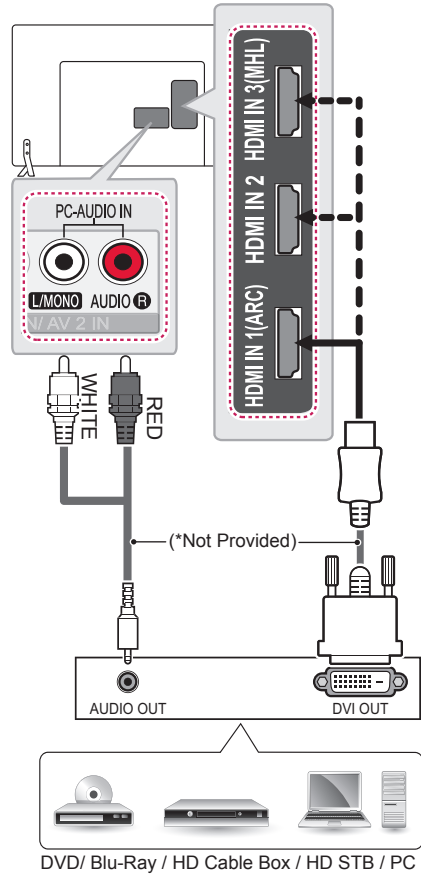
ENGLISH

DVI to HDMI connection

(Only LB86**, LB87**)



(Only LB63**, LB65**, LB67**, LB68**, LB69**, LB72**, LB73**)



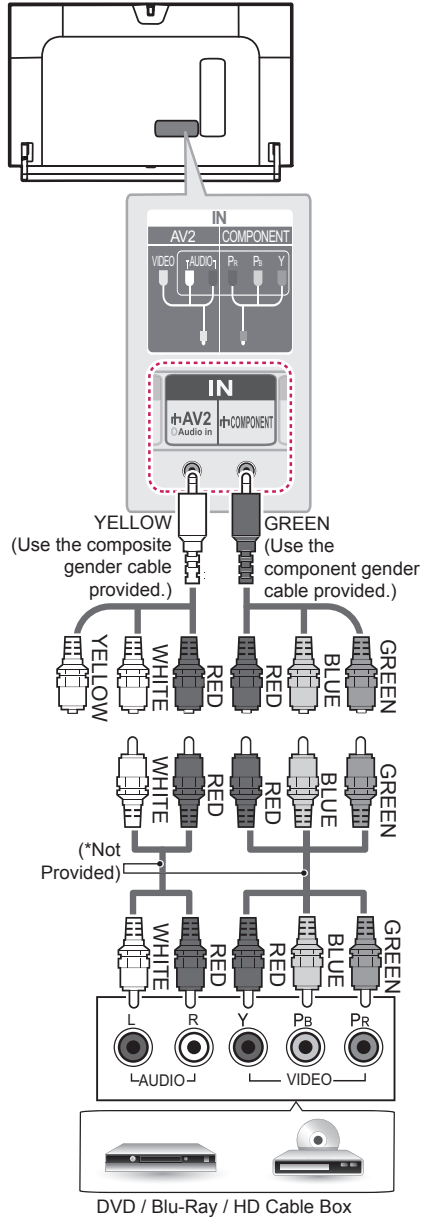
Transmits the digital video signal from an external device to the TV. Connect the external device and the TV with the DVI-HDMI cable as shown. To transmit an audio signal, connect an audio cable. Choose any HDMI input port to connect. It does not matter which port you use.

NOTE

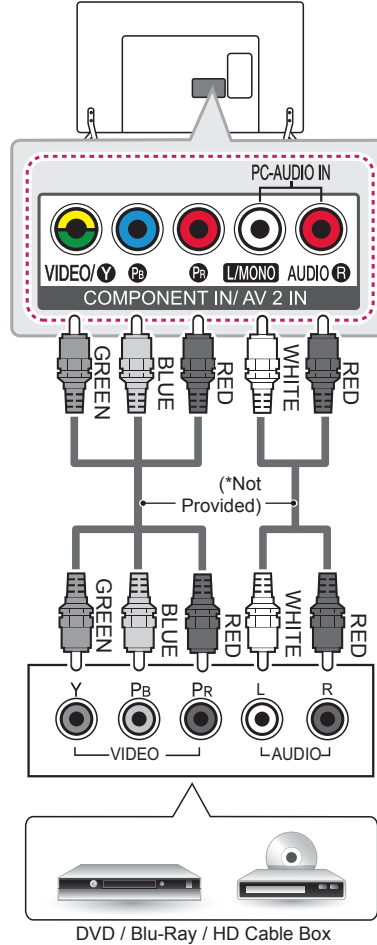
- Depending on the graphics card, DOS mode may not work if a HDMI to DVI Cable is in use.
- When using the HDMI/DVI cable, only Single link is supported.

Component connection

(Only LB86**, LB87**)



(Only LB63**, LB65**, LB67**, LB68**, LB69**, LB72**, LB73**)



Transmits analog video and audio signals from an external device to the TV. Connect the external device and the TV with a component cable as shown.

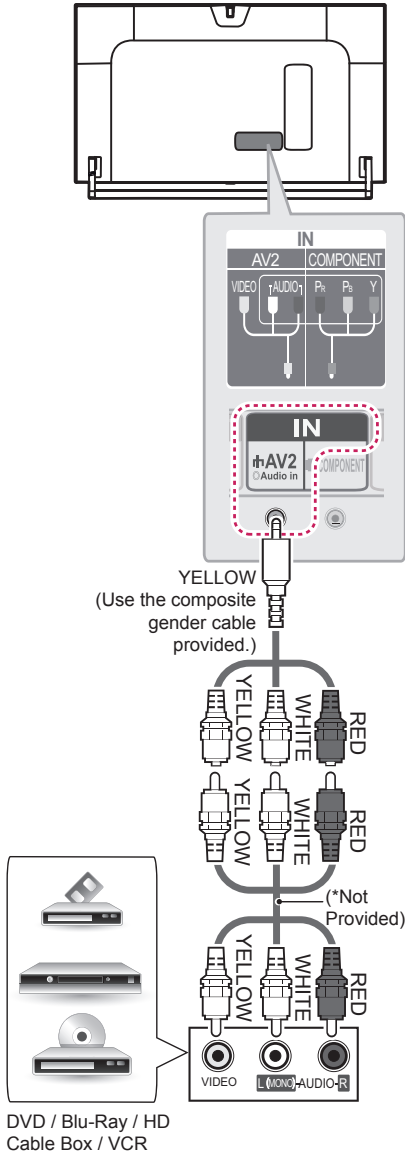
NOTE

- If cables are not installed correctly, it could cause this image to display in black and white or with distorted colours.

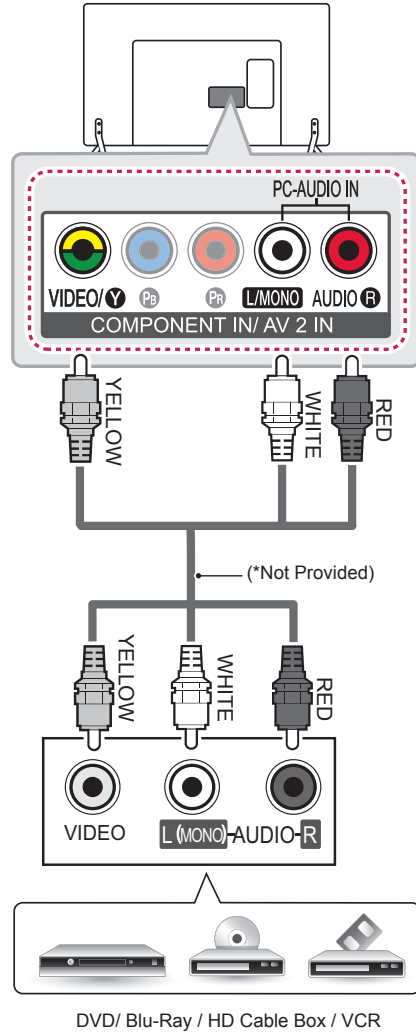
ENGLISH

Composite connection

(Only LB86**, LB87**)

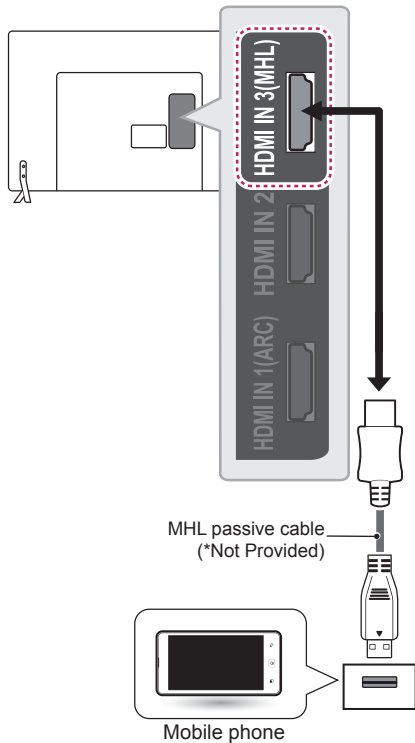


(Only LB63**, LB65**, LB67**, LB68**, LB69**, LB72**, LB73**)



Transmits analog video and audio signals from an external device to the TV. Connect the external device and the TV with the composite cable as shown.

MHL connection

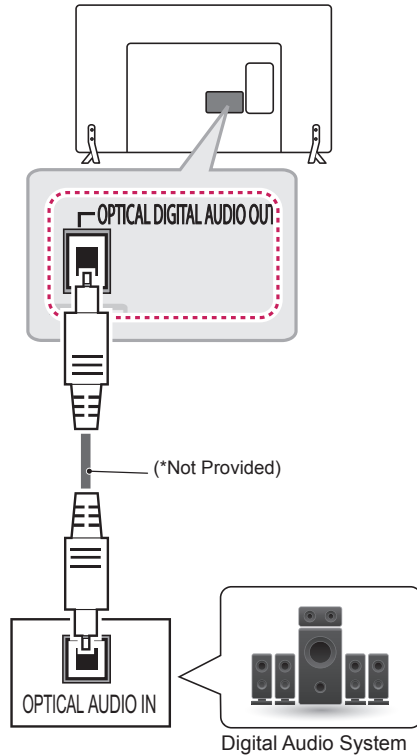


Mobile High-definition Link (MHL) is an interface for transmitting digital audiovisual signals from mobile phones to television sets.

NOTE

- Connect the mobile phone to the **HDMI IN 3 (MHL)** or **HDMI/DVI IN 4 (MHL)** port to view the phone screen on the TV.
- The MHL passive cable is needed to connect the TV and a mobile phone.
- This only works for the MHL-enabled phone.
- Some applications can be operated by the remote control.
- For some mobile phones supporting MHL, you can control with the Magic Remote.
- Remove the MHL passive cable from the TV when:
 - the MHL function is disabled
 - your mobile device is fully charged in standby mode

Audio connection



You may use an optional external audio system instead of the built-in speaker.

Digital optical audio connection

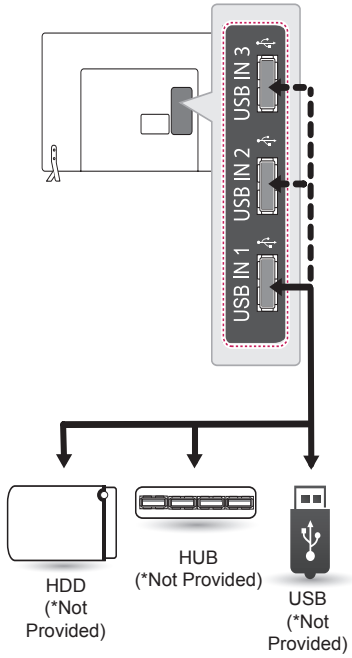
Transmits a digital audio signal from the TV to an external device. Connect the external device and the TV with the optical audio cable as shown.

NOTE

- Do not look into the optical output port. Looking at the laser beam may damage your vision.
- Audio with ACP (Audio Copy Protection) function may block digital audio output.

ENGLISH

USB connection

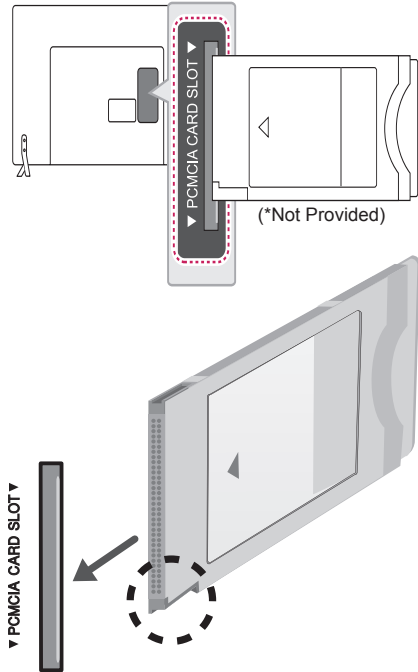


Connect a USB storage device such as a USB flash memory, external hard drive, or a USB memory card reader to the TV and access the SmartShare menu to use various multimedia files.

NOTE

- Some USB Hubs may not work. If a USB device connected using a USB Hub is not detected, connect it to the USB port on the TV directly.
- Connect the external power source if your USB is needed.

CI module connection

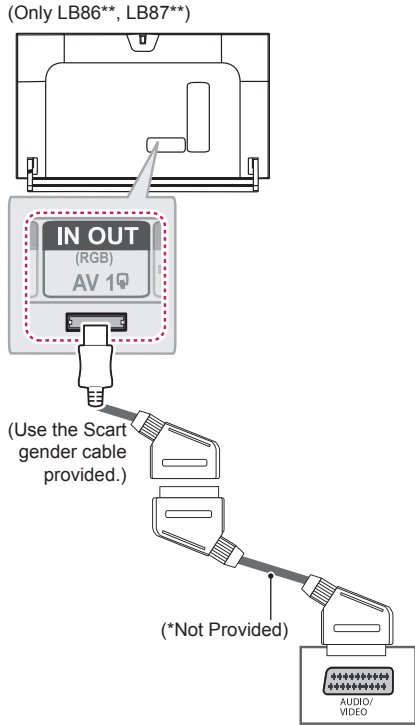


View the encrypted (pay) services in digital TV mode. This feature is not available in all countries.

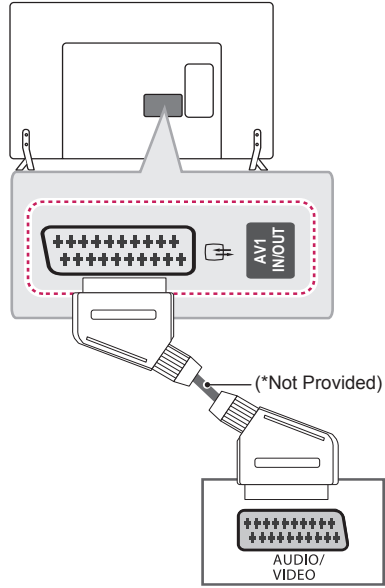
NOTE

- Check if the CI module is inserted into the PCMCIA CARD SLOT in the right direction. If the module is not inserted properly, this can cause damage to the TV and the PCMCIA card slot.
- If the TV does not display any video and audio when CI+ CAM is connected, please contact to the Terrestrial/Cable/Satellite Service Operator.

Euro Scart connection



(Only LB63**, LB65**, LB67**, LB68**, LB69**, LB72**, LB73**)



Transmits the video and audio signals from an external device to the TV set. Connect the external device and the TV set with the euro scart cable as shown.

Output Type	AV1 (TV Out ¹)
Current input mode	
Digital TV	Digital TV
Analogue TV, AV	Analogue TV
Component	
HDMI	

1 TV Out : Outputs Analogue TV or Digital TV signals.



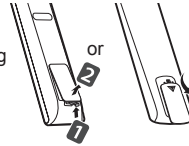
NOTE

- Any Euro scart cable used must be signal shielded.
- When watching digital TV in 3D imaging mode, only 2D out signals can be output through the SCART cable. (Only 3D models)
- If you set the 3D mode to On while a scheduled recording is performed on digital TV, monitor out signals cannot be output through the SCART cable, and the recording cannot be performed. (Only 3D models)

ENGLISH

REMOTE CONTROL

The descriptions in this manual are based on the buttons on the remote control. Please read this manual carefully and use the TV correctly.
 To replace batteries, open the battery cover, replace batteries (1.5 V AAA) matching the ⊕ and ⊖ ends to the label inside the compartment, and close the battery cover.
 To remove the batteries, perform the installation actions in reverse.



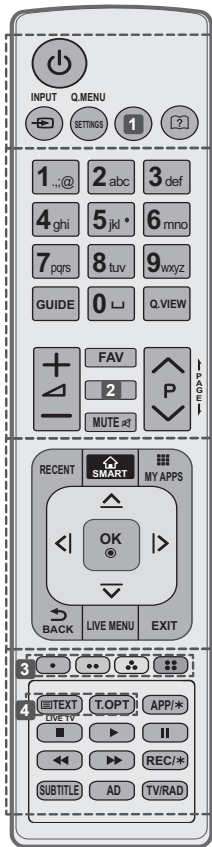
CAUTION

- Do not mix old and new batteries, as this may damage the remote control.
- The remote control will not be included for all sales market.

Make sure to point the remote control toward the remote control sensor on the TV.
 (Depending on model)

	TV/RAD Selects Radio, TV and DTV programme. INPUT Changes the input source. SETTINGS Accesses the main menus. Q. MENU Accesses the quick menus. INFO Views the information of the current programme and screen. SUBTITLE Recalls your preferred subtitle in digital mode. GUIDE Shows programme guide. Q.VIEW Returns to the previously viewed programme. FAV Accesses your favourite programme list. 3D Used for viewing 3D video. ^ PAGE v Moves to the previous or next screen.
	RECENT Shows the previous history. SMART Accesses the Smart Home menus. LIVE MENU Shows the list of Recommended, Programmes, Search and Recorded. 1 TELETEXT BUTTONS These buttons are used for teletext. Navigation buttons (up/down/left/right) Scrolls through menus or options. OK Selects menus or options and confirms your input. BACK Returns to the previous level. EXIT Clears on-screen displays and returns to TV viewing. AD By Pressing AD button, audio descriptions function will be enabled. REC/* Starts to record and displays record menu. (Only Time Machine Ready supported model)
	Control buttons (▶, ⏸, ⏪, ⏩) Controls the Premium contents, Time Machine Ready or SmartShare menus or the SIMPLINK compatible devices (USB or SIMPLINK or Time Machine Ready). 2 Colour buttons These access special functions in some menus. (●): Red, (●●): Green, (●●●): Yellow, (●●●●): Blue

(Depending on model)



- INPUT** Changes the input source.

SETTINGS Accesses the main menus.

Q. MENU Accesses the quick menu.
- 1** **RATIO** Resizes an image. (Depending on model)

1 **INFO** Views the information of the current programme and screen. (Depending on model)

? **(User Guide)** Sees user-guide.
- GUIDE** Shows programme guide.

[Space] Opens an empty space on the screen keyboard.

Q.VIEW Returns to the previously viewed programme.

FAV Accesses your favourite programme list.

2 **INFO** Views the information of the current programme and screen. (Depending on model)

2 **3D** Used for viewing 3D video. (Depending on model)

← PAGE → Moves to the previous or next screen.
- RECENT** Shows the previous history.

SMART Accesses the Smart Home menus.

MY APPS Shows the list of Apps.

Navigation buttons (up/down/left/right) Scrolls through menus or options.

OK Selects menu or options and confirms your input.

↶ BACK Returns to the previous level.

LIVE MENU Shows the list of Recommended, Programmes, Search and Recorded.

EXIT Clears on-screen displays and returns to TV viewing.
- 3** **Colour buttons** These access special functions in some menus.
 (●): Red, (●●): Green, (●●●): Yellow, (●●●●): Blue

4 **TELETEXT BUTTONS** These buttons are used for teletext.

LIVE TV Returns to LIVE TV.

APP/* Selects the MHP TV menu source. (Only Italy.) (Depending on model)

Control buttons (■, ▶, II, ◀, ▶▶) Controls the Premium contents, Time Machine^{Ready} or SmartShare menus or the SIMPLINK compatible devices (USB or SIMPLINK or Time Machine^{Ready}).

REC/* Starts to record and displays record menu. (Only Time Machine^{Ready} supported model)

SUBTITLE Recalls your preferred subtitle in digital mode.

AD By Pressing AD button, audio descriptions function will be enabled.

TV/RAD Selects Radio, TV and DTV programme.

ENGLISH

MAGIC REMOTE FUNCTIONS

This item is not included for all models.
 When the message "Magic Remote battery is low. Change the battery." is displayed, replace the battery.
 To replace batteries, open the battery cover, replace batteries (1.5 V AA) matching (+) and (-) ends to the label inside the compartment, and close the battery cover. Be sure to point the remote control toward the remote control sensor on the TV.
 To remove the batteries, perform the installation actions in reverse.



CAUTION

- Do not mix old and new batteries, as this may damage the remote control.

(Only LB67**, LB68**, LB69**, LB72**, LB73**, LB86**, LB87**)

(POWER)
Turns the TV on or off.

Navigation buttons
(up/down/left/right)
Press the up, down, left or right button to scroll the menu. If you press Δ , ∇ , \triangleright or \triangleleft buttons while the pointer is in use, the pointer will disappear from the screen and Magic Remote will operate like a general remote control. To display the pointer on the screen again, shake Magic Remote to the left and right.

Wheel(OK)
Press the center of the Wheel button to select a menu. You can change programmes and scroll the menu by using the Wheel button.

Coloured buttons
These access special functions in some menus.
 (Red): Red, (Green): Green,
 (Yellow): Yellow, (Blue): Blue

(BACK)
Returns to the previous level.

(SmartHome)
Accesses the Smarthome menu.

(EXIT to LIVE)
Switches among broadcast (antenna) and various inputs.

(Voice recognition)
(Depending on model)

P
Scrolls through the saved programmes.

123 / INPUT
Displays the Screen Remote.
 * Accesses the Universal Control Menu. (Depending on model)
 * Pressing and holding the **123 / INPUT** button will display a menu to select an external device that is connected to the TV.

3D
Used for viewing 3D video.
(Only 3D models)

(MUTE)
Mutes all sounds.
 * By Pressing and holding the **(MUTE)** button, audio descriptions function will be enabled.
(Depending on model)

Voice recognition(Depending on model)

Network connection is required to use the voice recognition function.

1. Press the Voice recognition button.
2. Speak when the voice display window appears on the left of the TV screen.
 - The voice recognition may fail when you speak too fast or too slow.
 - Use the Magic Remote no further than 10 cm from your face.
 - The recognition rate may vary depending on the user's characteristics (voice, pronunciation, intonation and speed) and the environment (noise and TV volume).

Registering Magic Remote**How to register the Magic Remote**

To use the Magic Remote, first pair it with your TV.

- 1 Put batteries into the Magic Remote and turn the TV on.
- 2 Point the Magic Remote at your TV and press the **Wheel (OK)** on the remote control.
 - » If the TV fails to register the Magic Remote, try again after turning the TV off and back on.

How to deregister the Magic Remote

Press the (**BACK**) and (**Smart home**) buttons at the same time, for five seconds, to unpair the Magic Remote with your TV.

- » Pressing and holding the (**EXIT to LIVE**) button will let you cancel and re-register Magic Remote at once.

How to use Magic Remote


- Shake the Magic Remote slightly to the right and left or press (**Smart home**), **1|2|3** / **INPUT**, **3D** buttons to make the pointer appear on the screen.
 - » The pointer will appear when you turn the Wheel button. (Depending on model)
- If the pointer has not been used for a certain period of time or Magic Remote is placed on a flat surface, then the pointer will disappear.
- If the pointer is not responding smoothly, you can reset the pointer by moving it to the edge of the screen.
- The Magic Remote depletes batteries faster than a normal remote due to the additional features.

Precautions to Take when Using the Magic Remote

- Use the remote control within the specified range (within 10 m).
You may experience communication failures when using the device outside the coverage area or if there are obstacles within the coverage area.
- You may experience communication failures depending on the accessories. Devices such as a microwave oven and wireless LAN operate in the same frequency band (2.4 GHz) as the Magic Remote. This may cause communication failures.
- The Magic Remote may not work properly if a wireless router (AP) is within 1 meter of the TV. Your wireless router should be more than 1 m away from the TV.
- Do not disassemble or heat the battery.
- Do not drop the battery. Avoid avoid extreme shocks to the battery.
- Inserting the battery the wrong way may result in explosion.


USING THE USER GUIDE

User Guide allows you to more easily access the detailed TV information.

- 1 Press the  (**SmartHome**) button on the remote control to display the **Launcher** menu.
- 2 Select **User Guide** and press **Wheel(OK)**.



NOTE

- You can also access the User Guide by pressing  (**User Guide**) in the remote control. (Depending on model)

MAINTENANCE

Cleaning your TV

Clean your TV regularly to keep the best performance and to extend the product lifespan.



CAUTION

- Make sure to turn the power off and disconnect the power cord and all other cables first.
- When the TV is left unattended and unused for a long time, disconnect the power cord from the wall outlet to prevent possible damage from lightning or power surges.

Screen, frame, cabinet and stand

- To remove dust or light dirt, wipe the surface with a dry, clean, and soft cloth.
- To remove major dirt, wipe the surface with a soft cloth dampened in clean water or a diluted mild detergent. Then wipe immediately with a dry cloth.



CAUTION

- Avoid touching the screen at all times, as this may result in damage to the screen.
- Do not push, rub, or hit the screen surface with your fingernail or a sharp object, as this may result in scratches and image distortions.
- Do not use any chemicals as this may damage the product.
- Do not spray liquid onto the surface. If water enters the TV, it may result in fire, electric shock, or malfunction.





Power cord

Remove the accumulated dust or dirt on the power cord regularly.

TROUBLESHOOTING

Problem	Solution
Cannot control the TV with the remote control.	<ul style="list-style-type: none"> • Check the remote control sensor on the product and try again. • Check if there is any obstacle between the product and the remote control. • Check if the batteries are still working and properly installed (⊕ to ⊕, ⊖ to ⊖).
No image display and no sound is produced.	<ul style="list-style-type: none"> • Check if the product is turned on. • Check if the power cord is connected to a wall outlet. • Check if there is a problem in the wall outlet by connecting other products.
The TV turns off suddenly.	<ul style="list-style-type: none"> • Check the power control settings. The power supply may be interrupted. • Check if the Automatic Standby(Depending on model) / Sleep Timer / Timer Power Off is activated in the Timers settings. • If there is no signal while the TV is on, the TV will turn off automatically after 15 minutes of inactivity.
When connecting to the PC (HDMI/ DVI), 'No signal' or 'Invalid Format' is displayed.	<ul style="list-style-type: none"> • Turn the TV off/on using the remote control. • Reconnect the HDMI cable. • Restart the PC with the TV on.

SPECIFICATIONS

Wireless module(LGSBW41) Specifications			
Wireless LAN		Bluetooth	
Standard	IEEE 802.11a/b/g/n	Standard	Bluetooth Version 3.0
Frequency Range	2400 to 2483.5MHz 5150 to 5250 MHz 5725 to 5850 MHz(for Non EU)	Frequency Range	2400 to 2483.5MHz
Output Power (Max.)	802.11a: 13 dBm 802.11b: 15 dBm 802.11g: 14 dBm 802.11n - 2.4GHz: 16 dBm 802.11n - 5GHz: 16 dBm	Output Power (Max.)	10dBm or Lower
<ul style="list-style-type: none"> • Because band channel used by the country could be different, the user can not change or adjust the operating frequency and this product is set for the regional frequency table. • This device should be installed and operated with minimum distance 20 cm between the device and your body. And this phrase is for the general statement for consideration of user environment. 			
   			

Product specifications may be changed without prior notice due to upgrade of product functions.

MODELS		42LB63**	
		42LB630V-ZA	42LB631V-ZL
Dimensions (W x H x D)	With stand (mm)	960 x 610 x 218	960 x 612 x 193
	Without stand(mm)	960 x 567 x 54.5	960 x 567 x 54.5
Weight	With stand (kg)	9.9	9.9
	Without stand (kg)	9.6	9.6
Power requirement		AC 100-240 V~ 50 / 60 Hz	AC 100-240 V~ 50 / 60 Hz
Power consumption		100 W	100 W
MODELS		47LB63**	
		47LB630V-ZA	47LB631V-ZL
Dimensions (W x H x D)	With stand (mm)	1072 x 677 x 247	1072 x 675 x 230
	Without stand(mm)	1072 x 629 x 54.5	1072 x 629 x 54.5
Weight	With stand (kg)	13.4	13.3
	Without stand (kg)	13.0	13.0
Power requirement		AC 100-240 V~ 50 / 60 Hz	AC 100-240 V~ 50 / 60 Hz
Power consumption		110 W	110 W
MODELS		55LB63**	
		55LB630V-ZA	55LB631V-ZL
Dimensions (W x H x D)	With stand (mm)	1241 x 772 x 247	1241 x 769 x 224
	Without stand(mm)	1241 x 725 x 55.5	1241 x 725 x 55.5
Weight	With stand (kg)	18.7	18.6
	Without stand (kg)	18.3	18.3
Power requirement		AC 100-240 V~ 50 / 60 Hz	AC 100-240 V~ 50 / 60 Hz
Power consumption		130 W	130 W

MODELS		32LB65**		
		32LB650V-ZA 32LB652V-ZA	32LB653V-ZK	32LB650V-ZE 32LB650V-ZN
Dimensions (W x H x D)	With stand (mm)	731 x 484 x 207	731 x 475 x 207	731 x 474 x 239
	Without stand(mm)	731 x 437 x 54.5	731 x 437 x 54.5	731 x 437 x 54.5
Weight	With stand (kg)	6.5	6.5	8.4
	Without stand (kg)	6.3	6.3	6.3
Power requirement		AC 100-240 V~ 50 / 60 Hz	AC 100-240 V~ 50 / 60 Hz	AC 100-240 V~ 50 / 60 Hz
Power consumption		65 W	65 W	65 W
MODELS		39LB65**		
		39LB650V-ZA 39LB652V-ZA	39LB653V-ZK	39LB650V-ZE 39LB650V-ZN
Dimensions (W x H x D)	With stand (mm)	884 x 569 x 218	884 x 570 x 193	884 x 564 x 240
	Without stand(mm)	884 x 521 x 54.5	884 x 521 x 54.5	884 x 521 x 54.5
Weight	With stand (kg)	8.6	8.6	10.7
	Without stand (kg)	8.3	8.3	8.3
Power requirement		AC 100-240 V~ 50 / 60 Hz	AC 100-240 V~ 50 / 60 Hz	AC 100-240 V~ 50 / 60 Hz
Power consumption		90 W	90 W	90 W
MODELS		42LB65**		
		42LB650V-ZA 42LB652V-ZA	42LB653V-ZK	42LB650V-ZE 42LB650V-ZN
Dimensions (W x H x D)	With stand (mm)	960 x 610 x 218	960 x 612 x 193	960 x 606 x 238
	Without stand(mm)	960 x 567 x 54.5	960 x 567 x 54.5	960 x 567 x 54.5
Weight	With stand (kg)	9.9	9.9	12.1
	Without stand (kg)	9.6	9.6	9.6
Power requirement		AC 100-240 V~ 50 / 60 Hz	AC 100-240 V~ 50 / 60 Hz	AC 100-240 V~ 50 / 60 Hz
Power consumption		100 W	100 W	100 W

MODELS		47LB65**		
		47LB650V-ZA 47LB652V-ZA	47LB653V-ZK	47LB650V-ZE 47LB650V-ZN
Dimensions (W x H x D)	With stand (mm)	1072 x 677 x 247	1072 x 675 x 230	1072 x 669 x 267
	Without stand(mm)	1072 x 629 x 54.5	1072 x 629 x 54.5	1072 x 629 x 54.5
Weight	With stand (kg)	13.4	13.3	16.2
	Without stand (kg)	13.0	13.0	13.0
Power requirement		AC 100-240 V~ 50 / 60 Hz	AC 100-240 V~ 50 / 60 Hz	AC 100-240 V~ 50 / 60 Hz
Power consumption		110 W	110 W	110 W
MODELS		50LB65**		
		50LB650V-ZA 50LB652V-ZA	50LB653V-ZK	50LB650V-ZE 50LB650V-ZN
Dimensions (W x H x D)	With stand (mm)	1127 x 710 x 247	1127 x 710 x 230	1127 x 710 x 247
	Without stand(mm)	1127 x 660 x 54.5	1127 x 660 x 54.5	1127 x 660 x 54.5
Weight	With stand (kg)	14.7	14.6	17.5
	Without stand (kg)	14.3	14.3	14.3
Power requirement		AC 100-240 V~ 50 / 60 Hz	AC 100-240 V~ 50 / 60 Hz	AC 100-240 V~ 50 / 60 Hz
Power consumption		120 W	120 W	120 W
MODELS		55LB65**		
		55LB650V-ZA 55LB652V-ZA	55LB653V-ZK	55LB650V-ZE 55LB650V-ZN
Dimensions (W x H x D)	With stand (mm)	1241 x 772 x 247	1241 x 769 x 224	1241 x 765 x 293
	Without stand(mm)	1241 x 725 x 55.5	1241 x 725 x 55.5	1241 x 725 x 55.5
Weight	With stand (kg)	18.7	18.6	22.8
	Without stand (kg)	18.3	18.3	18.3
Power requirement		AC 100-240 V~ 50 / 60 Hz	AC 100-240 V~ 50 / 60 Hz	AC 100-240 V~ 50 / 60 Hz
Power consumption		130 W	130 W	130 W

MODELS		60LB65**	70LB65**	
		60LB650V-ZN	70LB650V-ZA	70LB650V-ZB
Dimensions (W x H x D)	With stand (mm)	1351 x 828 x 293	1574 x 964 x 344	
	Without stand(mm)	1351 x 785 x 57.5	1574 x 916 x 60.2	
Weight	With stand (kg)	26.0	31.6	
	Without stand (kg)	21.8	30.1	
Power requirement		AC 100-240 V~ 50 / 60 Hz	AC 100-240 V~ 50 / 60 Hz	
Power consumption		130 W	260 W	
MODELS		42LB67**	47LB67**	50LB67**
		42LB670V-ZA 42LB671V-ZB 42LB671V-ZF 42LB673V-ZB 42LB675V-ZA 42LB677V-ZC 42LB679V-ZF	47LB670V-ZA 47LB671V-ZB 47LB671V-ZF 47LB673V-ZB 47LB675V-ZA 47LB677V-ZC 47LB679V-ZF	50LB670V-ZA 50LB671V-ZB 50LB671V-ZF 50LB673V-ZB 50LB675V-ZA 50LB677V-ZC 50LB679V-ZF
Dimensions (W x H x D)	With stand (mm)	948.2 x 606.9 x 210.9	1059.9 x 671.9 x 247.5	1116.1 x 704.9 x 247.5
	Without stand(mm)	948.2 x 558.2 x 55.1	1059.9 x 621 x 55.1	1116.1 x 652.9 x 55.1
Weight	With stand (kg)	10.1	13.2	14.6
	Without stand (kg)	9.7	12.7	14.1
Power requirement		AC 100-240 V~ 50 / 60 Hz	AC 100-240 V~ 50 / 60 Hz	AC 100-240 V~ 50 / 60 Hz
Power consumption		95 W	100 W	110 W
MODELS		55LB67**	42LB68**	47LB68**
		55LB670V-ZA 55LB671V-ZB 55LB671V-ZF 55LB673V-ZB 55LB675V-ZA 55LB677V-ZC 55LB679V-ZF	42LB680V-ZA 42LB680V-ZD	47LB680V-ZA 47LB680V-ZD
Dimensions (W x H x D)	With stand (mm)	1229.8 x 767.5 x 247.5	949 x 608 x 211	1061 x 670 x 247
	Without stand(mm)	1229.8 x 708.6 x 55.1	949 x 560 x 55.1	1061 x 623 x 55.1
Weight	With stand (kg)	18.5	10.3	13.3
	Without stand (kg)	18	10	12.8
Power requirement		AC 100-240 V~ 50 / 60 Hz	AC 100-240 V~ 50 / 60 Hz	AC 100-240 V~ 50 / 60 Hz
Power consumption		130 W	95 W	100 W

MODELS		55LB68**	60LB68**	65LB68**
		55LB680V-ZA 55LB680V-ZD	60LB680V-ZA 60LB680V-ZD	65LB680V-ZA 65LB680V-ZD
Dimensions (W x H x D)	With stand (mm)	1231 x 769 x 247	1338.4 x 834.7 x 288.9	1449.5 x 883.7 x 313.9
	Without stand(mm)	1231 x 718 x 55.1	1338.4 x 778.8 x 58.1	1449.5 x 840.8 x 58.1
Weight	With stand (kg)	19	22.2	27.9
	Without stand (kg)	18.5	21.3	26.5
Power requirement		AC 100-240 V~ 50 / 60 Hz	AC 100-240 V~ 50 / 60 Hz	AC 100-240 V~ 50 / 60 Hz
Power consumption		130 W	140 W	160 W
MODELS		42LB69**	47LB69**	55LB69**
		42LB690V-ZA 42LB690V-ZC	47LB690V-ZA 47LB690V-ZC	55LB690V-ZA 55LB690V-ZC
Dimensions (W x H x D)	With stand (mm)	949 x 608 x 211	1061 x 670 x 247	1231 x 769 x 247
	Without stand(mm)	949 x 560 x 55.1	1061 x 623 x 55.1	1231 x 718 x 55.1
Weight	With stand (kg)	10.3	13.3	19
	Without stand (kg)	10	12.8	18.5
Power requirement		AC 100-240 V~ 50 / 60 Hz	AC 100-240 V~ 50 / 60 Hz	AC 100-240 V~ 50 / 60 Hz
Power consumption		95 W	100 W	130 W
MODELS		42LB72**	47LB72**	55LB72**
		42LB720V-ZA 42LB720V-ZB 42LB720V-ZG	47LB720V-ZA 47LB720V-ZB 47LB720V-ZG	55LB720V-ZA 55LB720V-ZB 55LB720V-ZG
Dimensions (W x H x D)	With stand (mm)	949 x 608 x 211	1061 x 670 x 247	1231 x 769 x 247
	Without stand(mm)	949 x 560 x 55.1	1061 x 623 x 55.1	1231 x 718 x 55.1
Weight	With stand (kg)	10.3	13.3	19
	Without stand (kg)	10	12.8	18.5
Power requirement		AC 100-240 V~ 50 / 60 Hz	AC 100-240 V~ 50 / 60 Hz	AC 100-240 V~ 50 / 60 Hz
Power consumption		95 W	100 W	130 W

MODELS		60LB72**	65LB72**
			60LB720V-ZA 60LB720V-ZB 60LB720V-ZG
Dimensions (W x H x D)	With stand (mm)	1338.4 x 834.7 x 288.9	1449.5 x 883.7 x 313.9
	Without stand(mm)	1338.4 x 778.8 x 58.1	1449.5 x 840.8 x 58.1
Weight	With stand (kg)	22.2	27.9
	Without stand (kg)	21.3	26.5
Power requirement		AC 100-240 V~ 50 / 60 Hz	AC 100-240 V~ 50 / 60 Hz
Power consumption		140 W	160 W
MODELS		42LB73**	
		42LB730V-ZA	42LB730V-ZD 42LB731V-ZE
Dimensions (W x H x D)	With stand (mm)	949 x 608 x 211	949 x 607.7 x 213.4
	Without stand(mm)	949 x 560 x 55.1	949 x 560 x 55.1
Weight	With stand (kg)	10.3	10.7
	Without stand (kg)	10	10
Power requirement		AC 100-240 V~ 50 / 60 Hz	AC 100-240 V~ 50 / 60 Hz
Power consumption		95 W	95 W
MODELS		47LB73**	
		47LB730V-ZA	47LB730V-ZD 47LB731V-ZE
Dimensions (W x H x D)	With stand (mm)	1061 x 670 x 247	1061 x 666 x 227
	Without stand(mm)	1061 x 623 x 55.1	1061 x 623 x 55.1
Weight	With stand (kg)	13.3	13.7
	Without stand (kg)	12.8	12.8
Power requirement		AC 100-240 V~ 50 / 60 Hz	AC 100-240 V~ 50 / 60 Hz
Power consumption		100 W	100 W

MODELS		55LB73**	
		55LB730V-ZA	55LB730V-ZD 55LB731V-ZE
Dimensions (W x H x D)	With stand (mm)	1231 x 769 x 247	1231 x 766 x 237
	Without stand(mm)	1231 x 718 x 55.1	1231 x 718 x 55.1
Weight	With stand (kg)	19	19.6
	Without stand (kg)	18.5	18.5
Power requirement		AC 100-240 V~ 50 / 60 Hz	AC 100-240 V~ 50 / 60 Hz
Power consumption		130 W	130 W
MODELS		60LB73**	
		60LB730V-ZA	60LB730V-ZD 60LB731V-ZE
Dimensions (W x H x D)	With stand (mm)	1338.4 x 834.7 x 288.9	1338.4 x 826.6 x 268.4
	Without stand(mm)	1338.4 x 778.8 x 58.1	1338.4 x 778.8 x 58.1
Weight	With stand (kg)	22.2	22.6
	Without stand (kg)	21.3	21.3
Power requirement		AC 100-240 V~ 50 / 60 Hz	AC 100-240 V~ 50 / 60 Hz
Power consumption		140 W	140 W
MODELS		65LB73**	
		65LB730V-ZA	65LB730V-ZD 65LB731V-ZE
Dimensions (W x H x D)	With stand (mm)	1449.5 x 883.7 x 313.9	1449.5 x 894.4 x 293.1
	Without stand(mm)	1449.5 x 840.8 x 58.1	1449.5 x 840.8 x 58.1
Weight	With stand (kg)	27.9	27.9
	Without stand (kg)	26.5	26.5
Power requirement		AC 100-240 V~ 50 / 60 Hz	AC 100-240 V~ 50 / 60 Hz
Power consumption		160 W	160 W

MODELS		49LB86**	55LB86**	60LB86**
		49LB860V-ZA 49LB860V-ZB	55LB860V-ZA 55LB860V-ZB	60LB860V-ZA 60LB860V-ZB
Dimensions (W x H x D)	With stand (mm)	1091 x 690 x 229	1227 x 769 x 229	1335 x 830 x 261
	Without stand(mm)	1091 x 632 x 34.7	1227 x 709 x 34.7	1335 x 770 x 35.7
	With Sound Bar Supporter(mm)	1091 x 688 x 34.7	1227 x 765 x 34.7	1335 x 826 x 35.7
Weight	With stand (kg)	17.4	22.6	27.1
	Without stand (kg)	16.7	21.9	26.2
Power requirement		AC 100-240 V~ 50 / 60 Hz	AC 100-240 V~ 50 / 60 Hz	AC 100-240 V~ 50 / 60 Hz
Power consumption		120 W	130 W	140 W
MODELS		49LB87**	55LB87**	60LB87**
		49LB870V-ZA	55LB870V-ZA	60LB870V-ZA
Dimensions (W x H x D)	With stand (mm)	1091 x 690 x 229	1227 x 769 x 229	1335 x 830 x 261
	Without stand(mm)	1091 x 632 x 34.7	1227 x 709 x 34.7	1335 x 770 x 35.7
	With Sound Bar Supporter(mm)	1091 x 688 x 34.7	1227 x 765 x 34.7	1335 x 826 x 35.7
Weight	With stand (kg)	17.4	22.6	27.1
	Without stand (kg)	16.7	21.9	26.2
Power requirement		AC 100-240 V~ 50 / 60 Hz	AC 100-240 V~ 50 / 60 Hz	AC 100-240 V~ 50 / 60 Hz
Power consumption		120 W	130 W	140 W

CI Module Size (W x H x D)		100.0 mm x 55.0 mm x 5.0 mm
Environment condition	Operating Temperature	0 °C to 40 °C
	Operating Humidity	Less than 80 %
	Storage Temperature	-20 °C to 60 °C
	Storage Humidity	Less than 85 %

	Digital TV	Analogue TV
Television system	DVB-T/T2 DVB-C DVB-S/S2	PAL/SECAM B/G/I/D/K SECAM L/L'
Programme coverage	VHF, UHF C-Band, Ku-Band	VHF: E2 to E12, UHF : E21 to E69, CATV: S1 to S20, HYPER: S21 to S47
Maximum number of storable programmes	DVB-S/S2 : 6,000 DVB-T/T2/C & Analogue TV : 1,500	
External antenna impedance	75 Ω	









Record the model number and serial number of the TV.

Refer to the label on the back cover and quote this information to your dealer when requiring any service.

MODEL _____

SERIAL _____



Please contact LG First.
If you have any inquiries or comments,
please contact LG customer information centre.

LG Customer Information Centre			
Country	LG Service ☎	Country	LG Service ☎
Österreich	0 810 144 131	Nederland	0900 543 5454
België	015 200 255	Norge	800 187 40
Luxembourg	0032 15 200255	Polska	801 54 54 54
България	07001 54 54	Portugal	808 78 54 54
Česká Rep.	810 555 810	România	031 228 3542
Danmark	8088 5758	Slovensko	0850 111 154
Suomi	0800 0 54 54	España	902 500 234
France	3220 dites LG ou tapez 54	Sverige	0770 54 54 54
Deutschland	01806-11-54-11 (0,20€ pro Anruf aus dem Festnetz der DTAG; Mobifunk: max. 0,60€ pro Anruf)	Schweiz	0848 543 543
Ελλάδα	801 11 200 900, 210 4800 564	United Kingdom	0844 847 5454
Magyarország	06 40 54 54 54	Россия	8 800 200 7676
Éire	0818 27 6955	Eesti	800 9990
Italia	199600099	Украина	0 800 303 000
Беларусь	8 820 0071 1111	Казахстан	8 8000 805 805, 2255(GSM)
Latvija	80200201	Узбекистан	8 800 120 2222
Lietuva	880008081	Кыргызстан	8 0000 710 005

www.lg.com