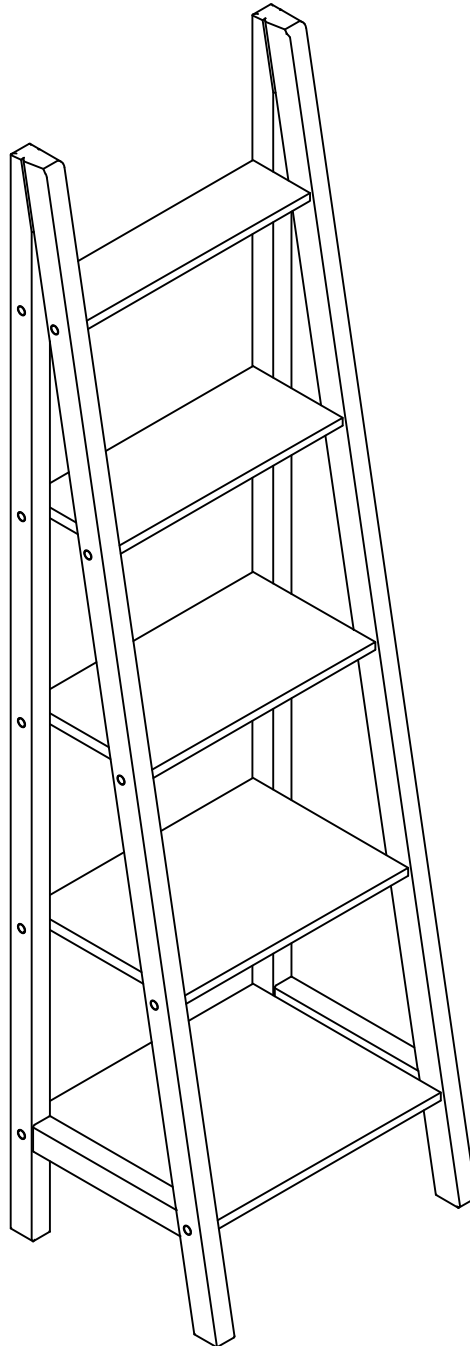


Kennet - ladder bookcase

Assembly Instructions - Please keep for future reference

227/8500

257/4802



Dimensions

Width - 50cm
Depth - 40cm
Height - 180cm

Important - Please read these instructions fully before starting assembly

If you need help or have damaged or missing parts, call the
Customer Helpline: Argos = 0345 6400 800



Safety and Care Advice

Important - Please read these instructions fully before starting assembly

- Check you have all the components and tools listed on pages 2 and 3.
- Remove all fittings from the plastic bags and separate them into their groups.
- Keep children and animals away from the work area, small parts could choke if swallowed.
- Make sure you have enough space to layout the parts before starting.

- Do not stand or put weight on the product, this could cause damage.
- Assemble the item as close to its final position (in the same room) as possible.
- Assemble on a soft level surface to avoid damaging the unit or your floor.
- Parts of the assembly will be easier with 2 people.



- To reduce the likelihood of damaging your product please ensure that your power drill is set on a low torque setting.

Care and maintenance

- Only clean using a damp cloth and mild detergent, do not use bleach or abrasive cleaners.
- From time to time check that there are no loose screws on this unit.
- This product should not be discarded with household waste. Take to your local authority waste disposal centre.

Handy Hints

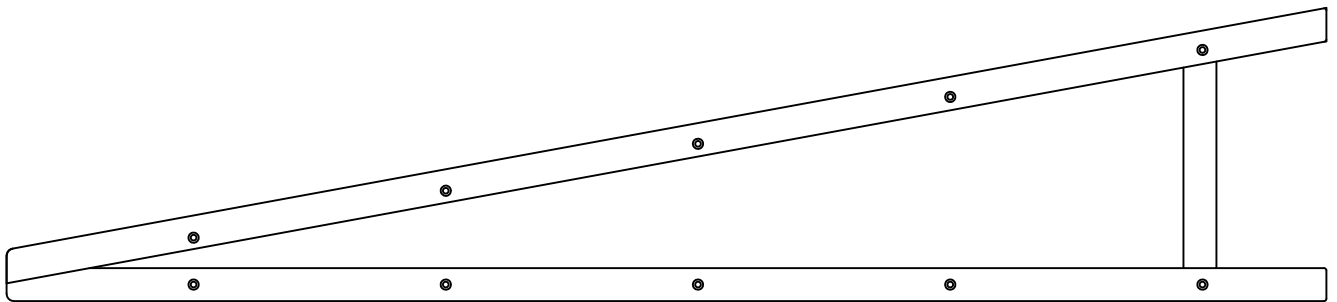
- Assemble all parts and bolts loosely during assembly, only once the product is complete should you fully tighten the bolts
- Regularly check and ensure that all bolts and fittings are tightened properly.

Note: if required the next page can be cut out and used as reference throughout the assembly. Keep this page with these instructions for future reference.

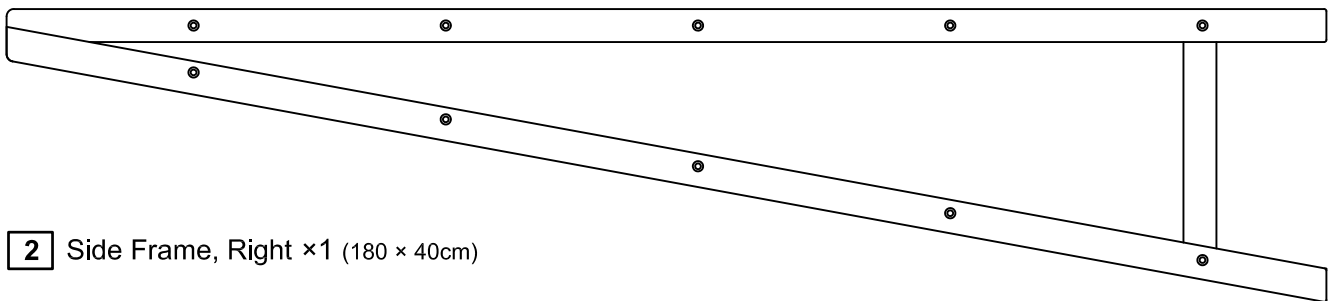
Components - Panels

If you have damaged or missing components, call the Customer Helpline: Argos = 0345 6400 800

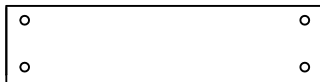
Please check you have all the panels listed below



1 Side Frame, Left ×1 (180 × 40cm)



2 Side Frame, Right ×1 (180 × 40cm)



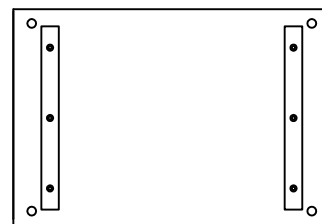
3 Shelf ×1 (43.2 × 10.7cm)



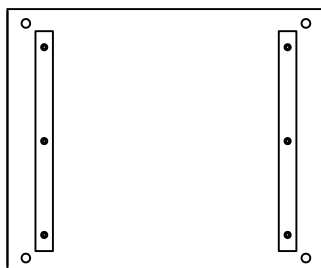
4 Shelf ×1 (43.2 × 17cm)



5 Shelf ×1 (43.2 × 23.2cm)



6 Shelf ×1 (43.2 × 29.7cm)



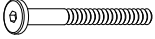

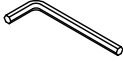




7 Shelf ×1 (43.2 × 36cm)



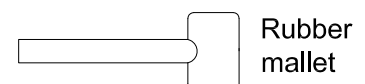
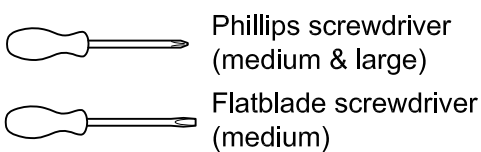
Components - Fittings

Please check you have all the fittings listed below

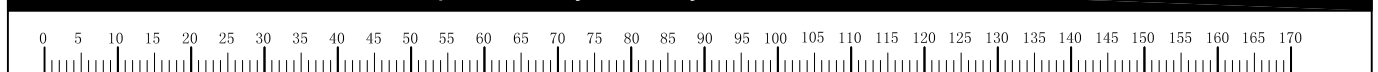
Note: The quantities below are the correct amount to complete the assembly. In some cases more fittings may be supplied than are required.

A  70mm Screw × 20	B  Ø6×13mm Locking nut × 20	C  Φ4mm Allen key × 1
D  Ø15×7mm Wooden plug × 20	E  L=158mm Wall strap × 1	F  15mm Screw × 1
G  Ø6×18mm Washer × 1		

Tools required



Ruler - Use this ruler to help correctly identify the screws

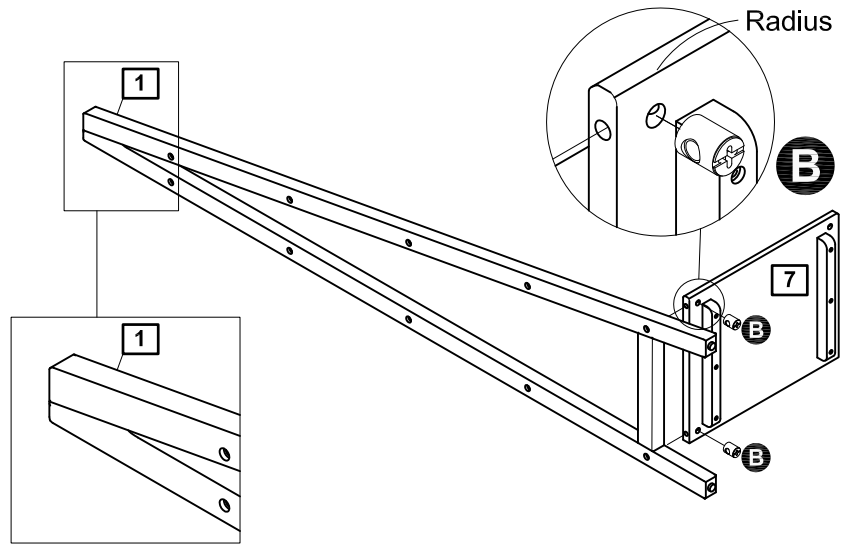


Assembly Instructions

Step 1

a. Insert 2 Locking nuts **B** to the holes pre-drilled, in the Shelf **7** make the holes align.

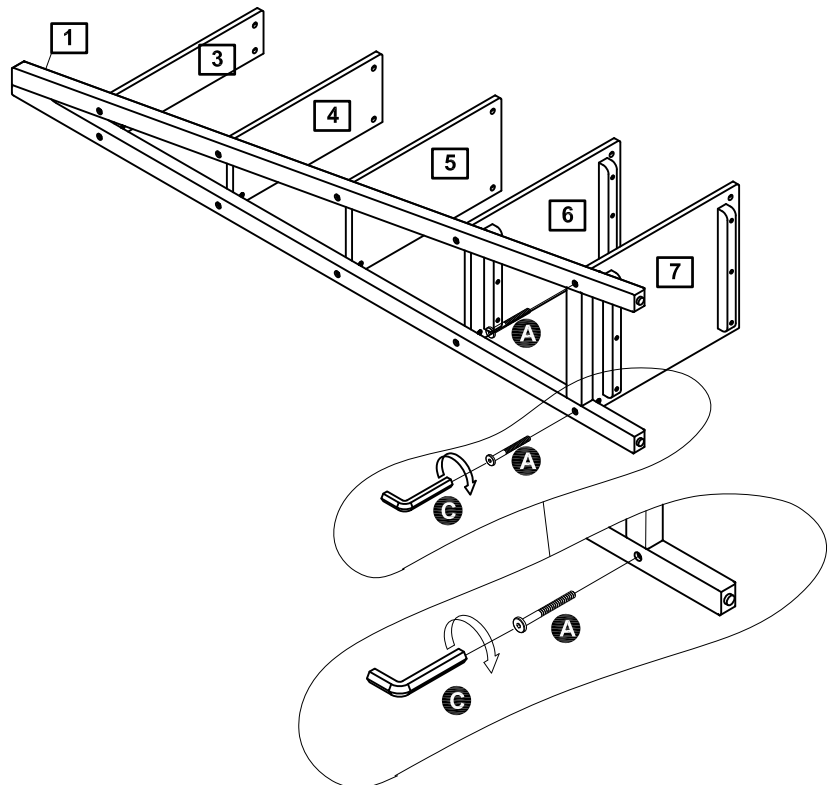
The shelf shall position as right figure (with radiused edge upward).



Step 2

Insert 2 Screws into the holes pre-drilled in the shelf, tightening it using Allen key **G**.

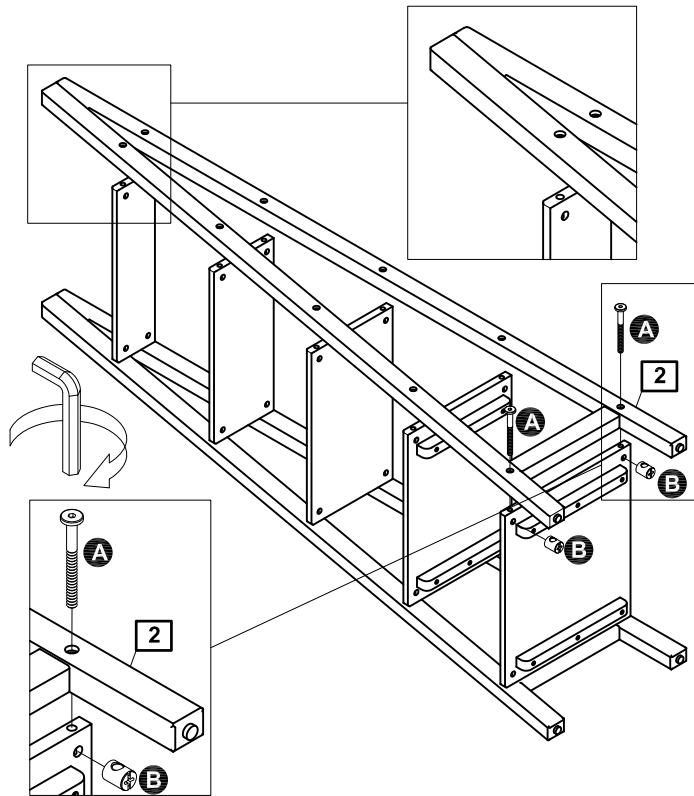
Repeat above steps to the other shelves.



Assembly Instructions

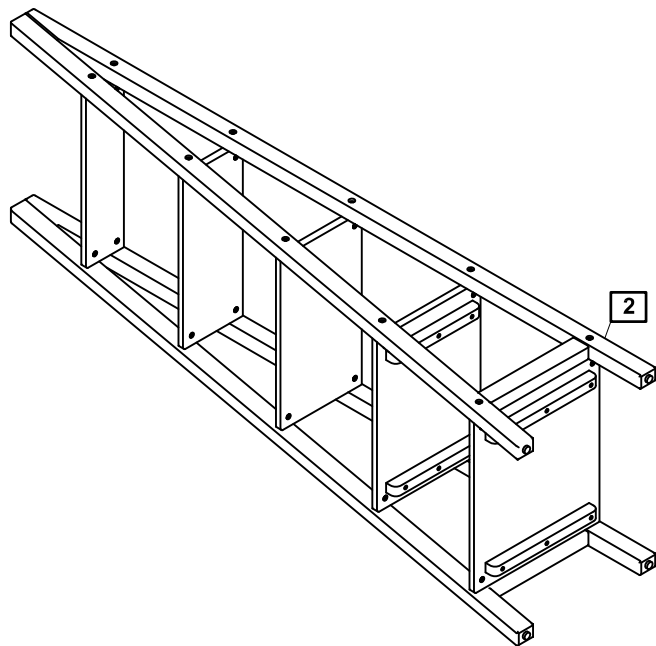
Step 3

a. Insert 2 Locking nuts **B** to the holes pre-drilled, in the Shelf **7** make the holes align, insert 2 Screws **A** into the Side Frame, Left **2** towards to the holes in the Shelf, tightening them using Allen key **C**.



Step 4

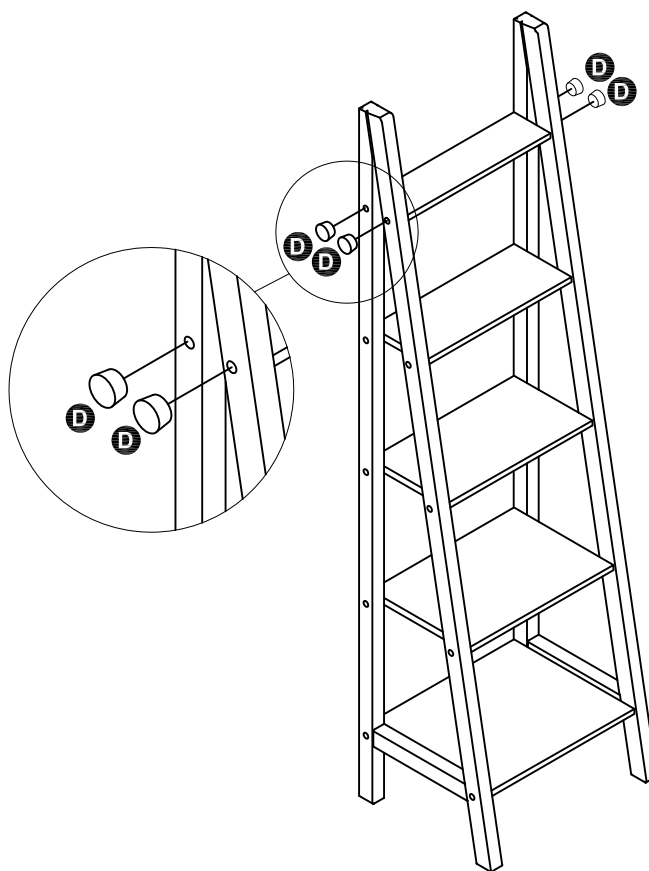
Repeat above steps to the other side frame.



Assembly Instructions

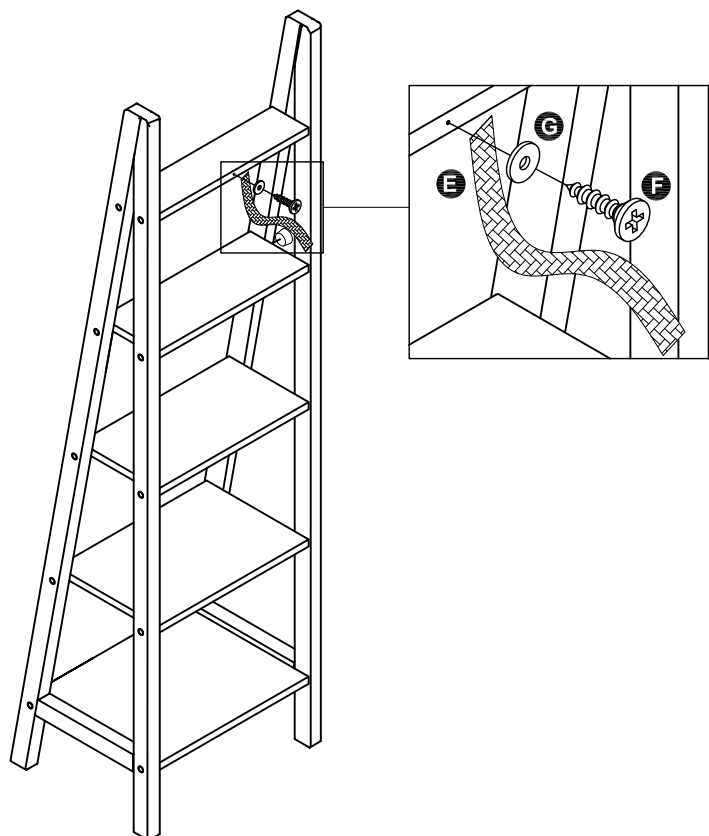
Step 5

Cover the holes in the side frame use Plug **D** by rubber mallet.



Step 6

Fix the wall strap **E** to the Shelf **3** using screw **F** and Washer **G**



Assembly Instructions

Step 7

Fixing to wall

It is recommended that the Bookcase is fixed to a wall.

With help, move the Bookcase into position.

Mark fixing hole on wall and remove Wardrobe.

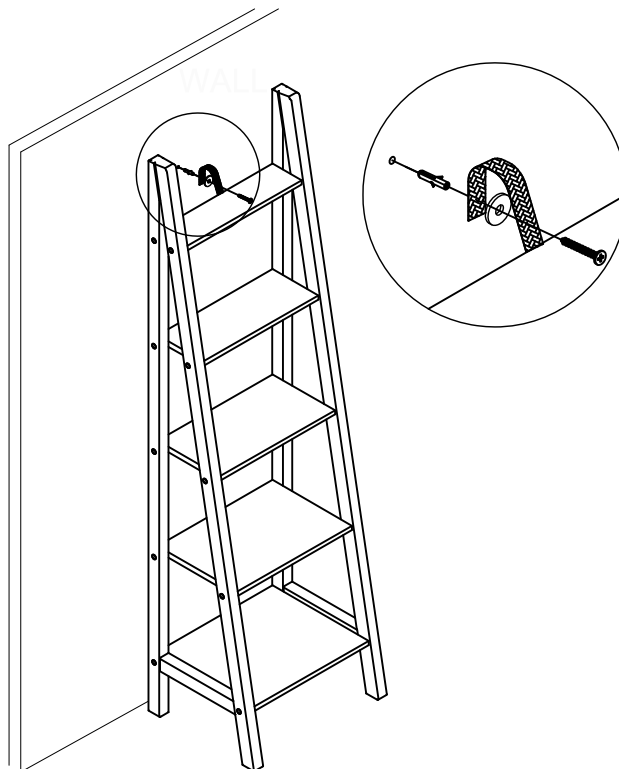
Drill hole and insert wall plug.



Warning:
Before drilling, check wall for hidden pipes and cables.

Reposition Bookcase and fix wall strap using screw.

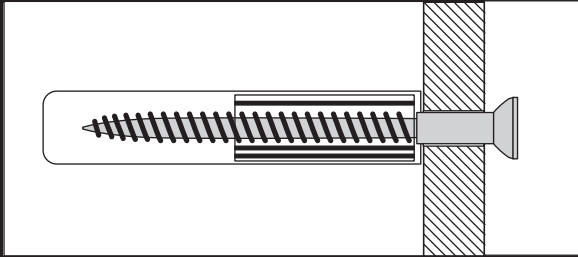
Assembly is complete.



If you need help or have damaged or missing parts, call the
Customer Helpline: Argos = 0345 6400 800

A Guide to


Wall Mounting & Fixings



IMPORTANT:

When drilling into walls always check that there are no hidden wires or pipes etc. Make sure that the screws and wall plugs being used are suitable for supporting your unit. Consult a qualified tradesperson if you are unsure.

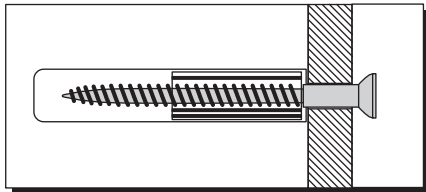
HINTS:

- 1) General Rule  Always use a larger screw and wall plug if you are not sure.
- 2) Ensure you use the recommended drill bit to match the wall plug and hole size.
- 3) Ensure you drill the hole horizontally, do not force the drill or enlarge the hole.
- 4) Take extra care when drilling high walls, ceilings and ceramic tiles. Ensure the plug is fitting below the ceramic tile to avoid splitting or cracking.
- 5) Ensure wall plugs are well fitted and are a tight fit in the drilled hole.

Types Of Walls

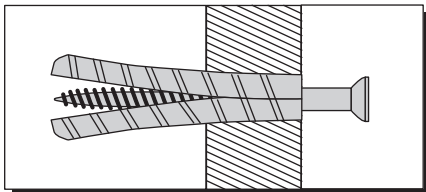
You can use one of the following types of wall plug if your walls are made of brick, breeze block, concrete, stone, wood or plaster board.

No.1 "Standard" Wall Plug General Wall Materials



These come in various sizes and are made from plastic or sometimes wood fiber.

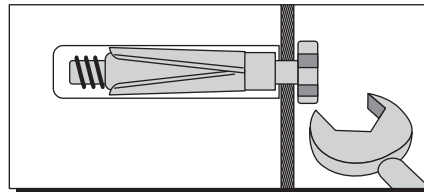
No.2 "General Purpose" Wall Plug Aerated / Breeze Block



Generally aerated blocks should not be used to support heavy loads, use a specialist fitting in this case.

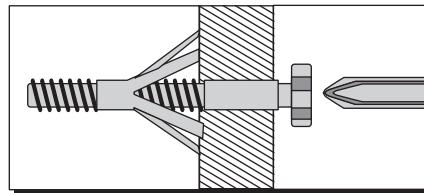
For light loads, a General Purpose Plug can be used.

No.3 "Shield Anchor" Wall Plug Heavy Loads



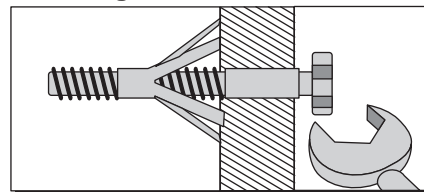
For use with heavier loads such as TV & HiFi Speakers and Satellite Dishes etc.

No.4 "Cavity Fixing" Wall Plug



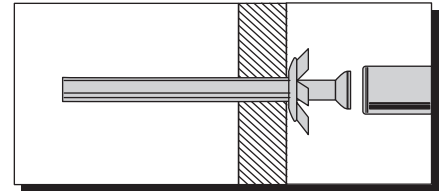
For use with plaster board partitions or hollow wooden doors.

No.5 "Cavity Fixing - Heavy Duty" Wall Plug



For use when fitting or supporting heavy loads such as shelving, wall cabinets, coat racks.

No.6 "Hammer Fixing" Wall Plug



For use with walls stuck with plaster board. The hammer fixing allows it to be fixed to the wall rather than the plaster board. Always check the fixing is secure to the retaining wall.

CARE & MAINTENANCE

SAFETY

Always check the fitting and location to ensure your safety in and around the home.

FITTING

From time to time check the fitting to ensure the wall plugs or screws do not become loose.