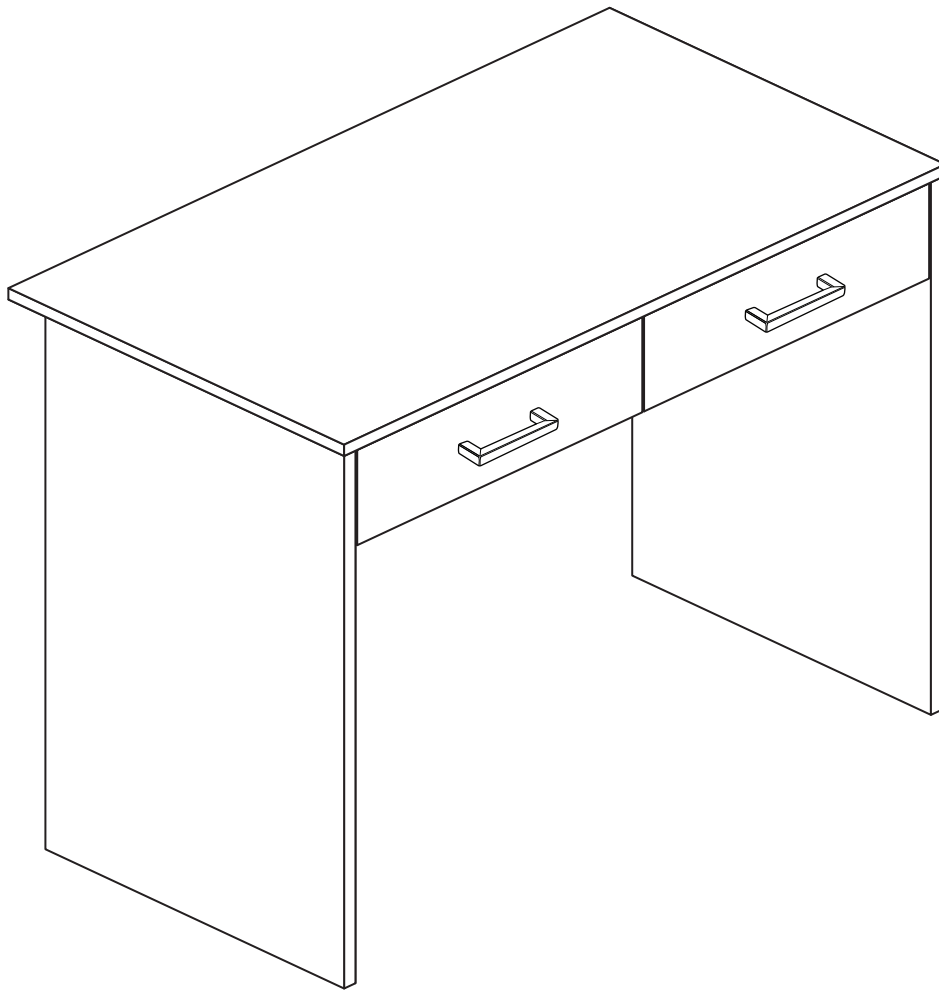


Occasional Animal Print - Dressing Table

Assembly Instructions - Please keep for future reference

257/2471



Dimensions

Width - 79.5cm

Depth - 44.5cm

Height - 73cm



**MADE IN
BRITAIN**

Important - Please read these instructions fully before starting assembly

If you need help or have damaged or missing parts, call the **Customer Helpline: 08456 400800**



Safety and Care Advice

Important - Please read these instructions fully before starting assembly

- **Warning:** This unit weighs approximately 17kgs. Please lift with care.

- Check you have all the components and tools listed on pages 2 and 3.

- Remove all fittings from the plastic bags and separate them into their groups.

- Keep children and animals away from the work area, small parts could choke if swallowed.

- Parts of the assembly will be easier with 2 people.

- Make sure you have enough space to layout the parts before starting.

- Do not stand or put weight on the product, this could cause damage.

- Assemble the item as close to its final position (in the same room) as possible.

- Assemble on a soft level surface to avoid damaging the unit or your floor (use opened out unit carton).



- We do not recommend the use of power drill/drivers **for inserting screws**, as this could damage the unit. Only use hand screwdrivers.

- **Safety note:** It is recommended that this unit is secured to a wall using the bracket supplied.

- Dispose of all packaging carefully and responsibly.

Care and maintenance

- Only clean using a damp cloth and mild detergent, do not use bleach or abrasive cleaners.

- From time to time check that there are no loose screws on this unit.

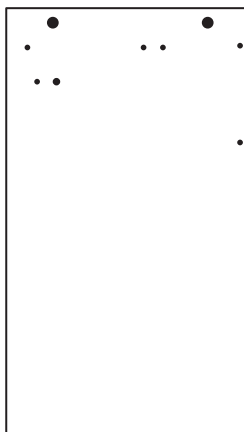
- This product should not be discarded with household waste. Take to your local authority waste disposal centre.

Note: If required the next page can be cut out and used as reference throughout the assembly. Keep this page with these instructions for future reference.

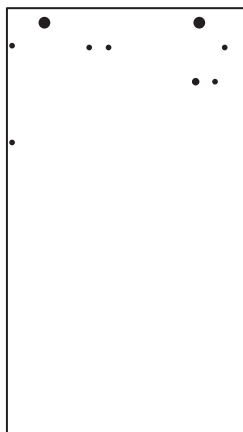
Components - Panels

If you have damaged or missing components, call the **Customer Helpline: 08456 400800** quoting the reference numbers below

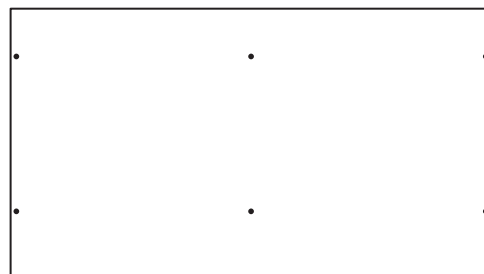
Please check you have all the panels listed below



1 Left Side (D1915A)
(706 x 395mm)



2 Right Side (D1916A)
(706 x 395mm)



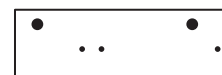
3 Top (DF1349)
(795 x 444mm)



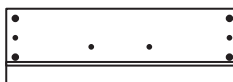
4 Modesty (D1917A)
(761 x 280mm)



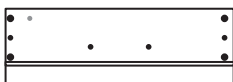
5 Cross Rail (D1919A)
(761 x 96mm)



6 Divider (DF820)
(114 x 353mm)



7 Left Drawer Front (DF821)
(377 x 126mm)



8 Right Drawer Front (DF822)
(377 x 126mm)



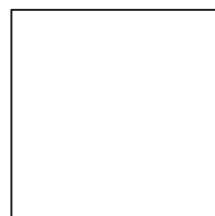
9 Drawer Back (W341-95)
(341 x 95mm) x 2



10 Left Drawer Side (W453LH)
(350 x 95mm) x 2



11 Right Drawer Side (W453RH)
(350 x 95mm) x 2



12 Drawer Base (T352-347)
(352 x 347mm) x 2

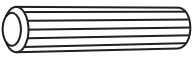
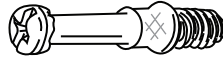






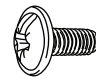


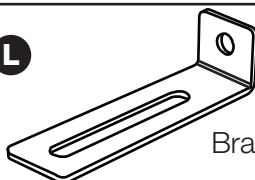

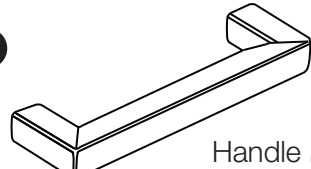


Components - Fittings

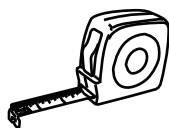
If you have damaged or missing components, call the **Customer Helpline: 08456 400800** quoting the reference numbers below

Please check you have all the fittings listed below

Note: The quantities below are the correct amount to complete the assembly. In some cases more fittings may be supplied than are required.

<p>A </p> <p>Wooden dowel (F22) x 2</p>	<p>B </p> <p>Metal dowel (F901) x 16</p>	<p>C </p> <p>Small locking nut (F3) x 4</p>
<p>D </p> <p>Large locking nut (F900) x 12</p>	<p>E </p> <p>Knock-in Peg (F171GY) x 8</p>	<p>F </p> <p>19mm Screw (F461) x 4</p>
<p>G </p> <p>13mm Screw (F79) x 1</p>	<p>H </p> <p>9mm Screw (F73) x 8</p>	<p>I </p> <p>9mm Screw (F74) x 4</p>
<p>J </p> <p>Wedgex (F639) x 4</p>	<p>K </p> <p>Plastic Nail (F91) x 4</p>	<p>L </p> <p>Bracket (F327) x 1</p>
<p>M </p> <p>Drawer runner (F1004) x 4</p>	<p>N </p> <p>Handle (F923) x 2</p>	

Tools required



Rule



Cross-head screwdriver



Scissors

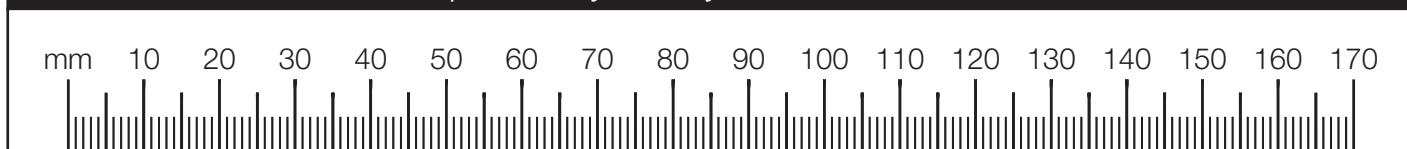


Hammer



Eye protection
(when using a hammer or drill)

Ruler - Use this ruler to help correctly identify the screws



Assembly Instructions

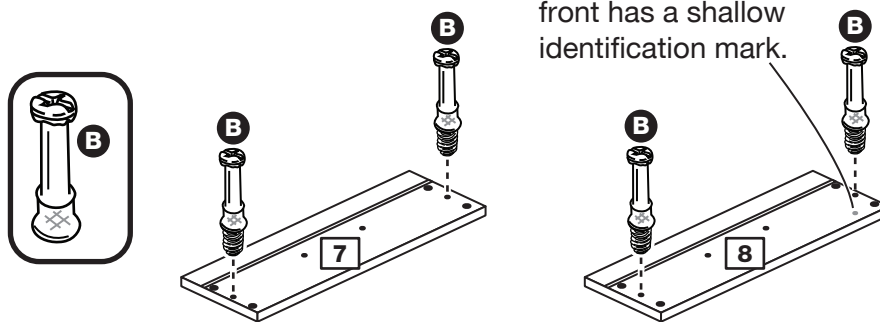
If you have damaged or missing components, call the
Customer Helpline: 08456 400800 quoting the reference
numbers below

Step 1

Prepare the 2 drawer fronts

Screw 2 metal dowels **B** into the left drawer front **7** and the right drawer front **8**.

Note: Tighten the metal dowels up fully against the panels.

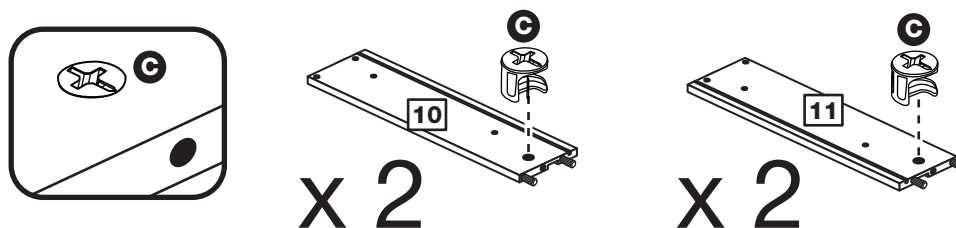


Step 2

Prepare the 2 pair of drawer sides

Insert a small locking nut **C** into the hole shown on the left drawer side **10** and the right drawer side **11**.

Note: The arrow on the locking nut **must** point towards the hole in the edge of the panel.



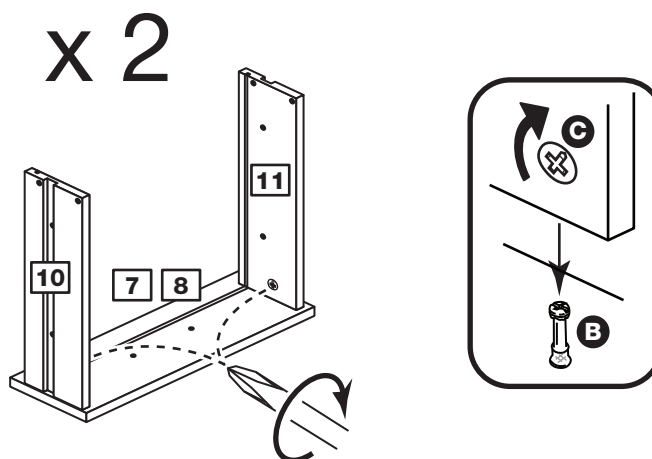
Step 3

Attach the drawer sides to the drawer fronts

Push the left drawer sides **10** and right drawer sides **11** onto the back of the drawer fronts **7** and **8**.

Turn the small locking nuts **C** on the left drawer side **10** and right drawer side **11**.

Note: Turn the locking nuts **C** clockwise to secure panels - more than 1/2 a turn.

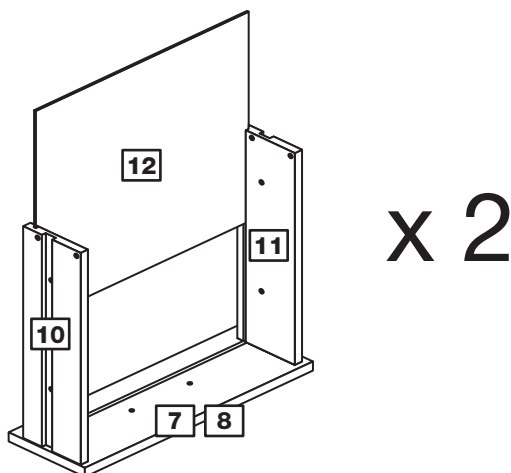


Assembly Instructions

Step 4

Fit the drawer base

Slide the drawer base **12** down the grooves in the drawer sides **10** and **11** and down into the groove in the drawer front **7** and **8**.

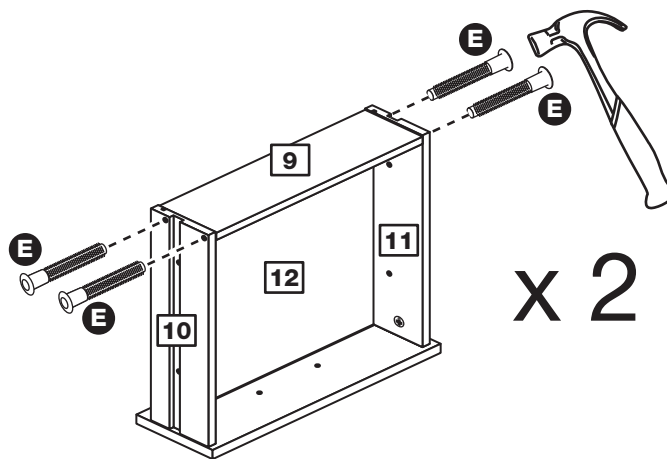


Step 5

Fit the drawer back

Fit the drawer back **9** between the drawer sides **10** and **11**. Make sure that the drawer base **12** fits into the groove in the drawer back **9**.

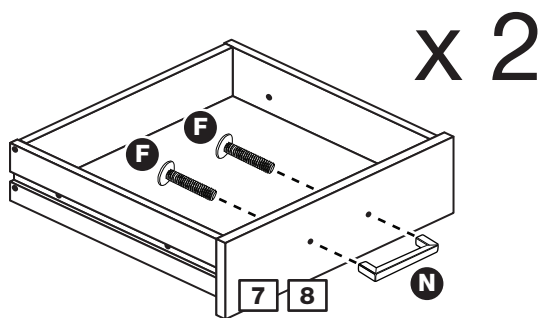
Hold the drawer back **9** in position and tap the knock-in pegs **E** through the holes in the drawer sides **10** and **11**.



Step 6

Attach the handles

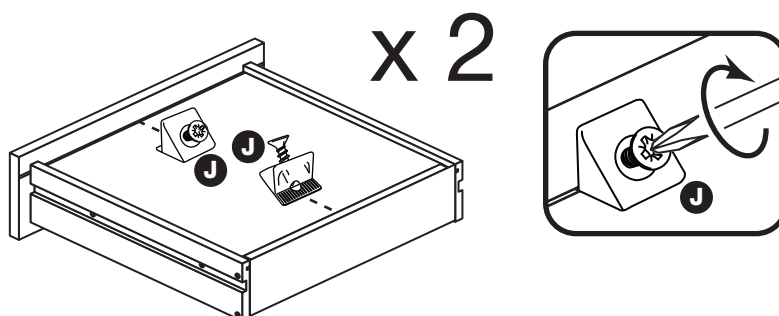
Attach a handle **N** to each of the drawer fronts **7** and **8** using 2 screws **F**.



Step 7

Fit the wedgifixes

Turn the drawer assemblies over and slide 2 wedgifixes **J** into the front and back grooves, as shown, and tighten up the screws.



Assembly Instructions

Step 8

Prepare the left side

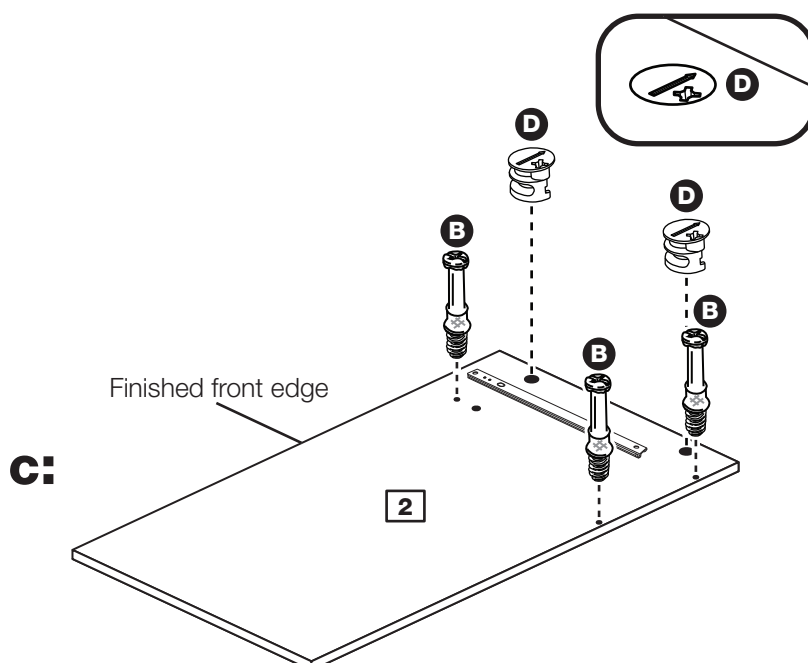
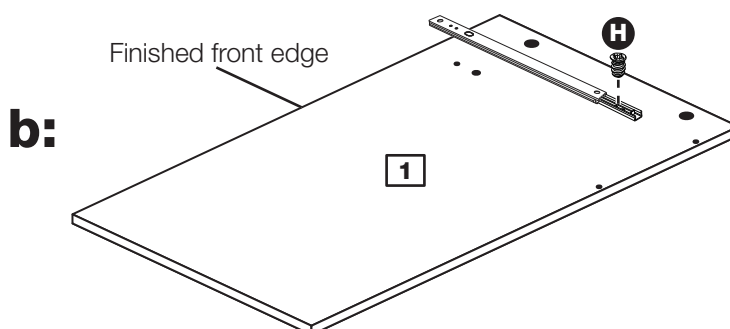
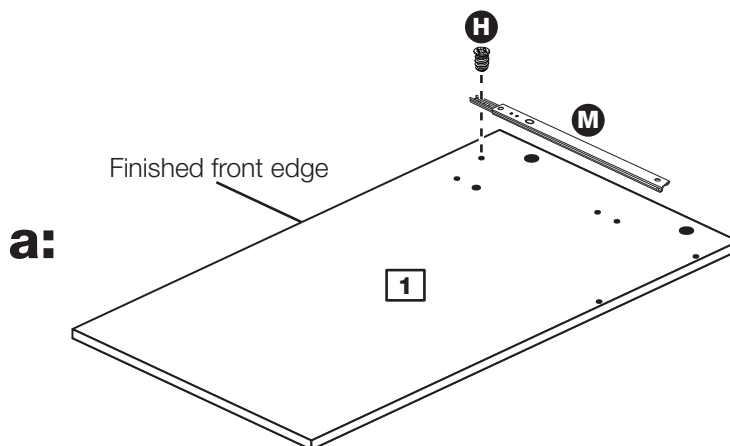
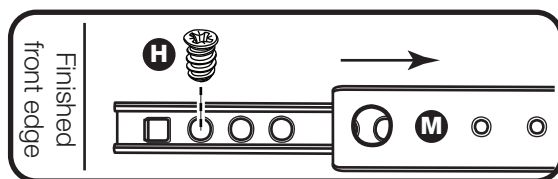
a: Place a runner **M** on the left side **1**. Slide back the top of runner and use the 1st hole from the front to fit the 1st screw **H**.

b: Slide the runner **M** back the other way and fit the 2nd screw **H** into the corresponding hole on the left side **1**.

c: Insert 2 large locking nuts **D** into the left side **1**.

Note: The arrow on the locking nuts **must** point towards the hole in the edge of the panel.

Screw 3 metal dowels **B** into the left side **1**.



Assembly Instructions

Step 9

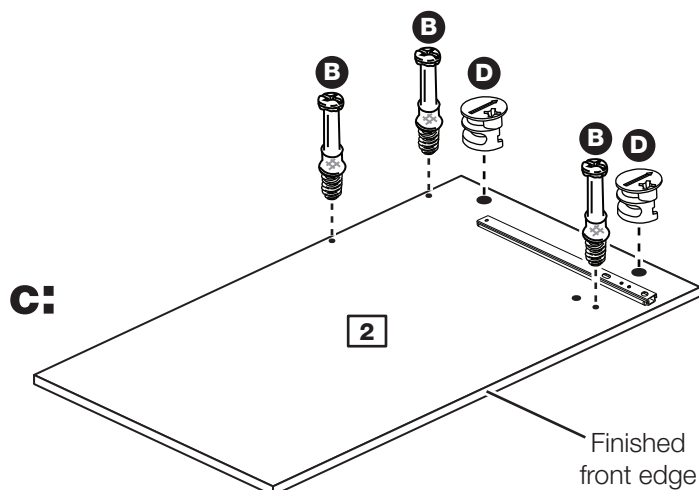
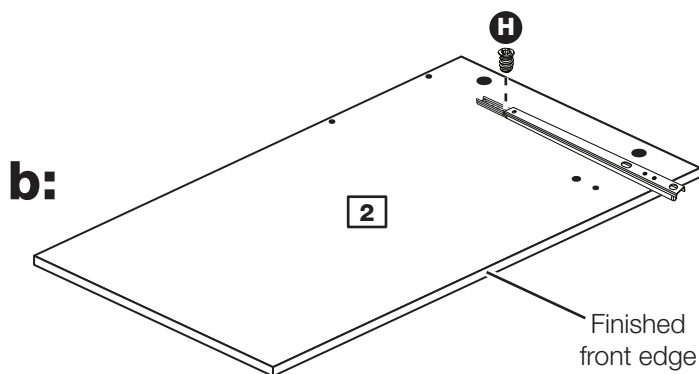
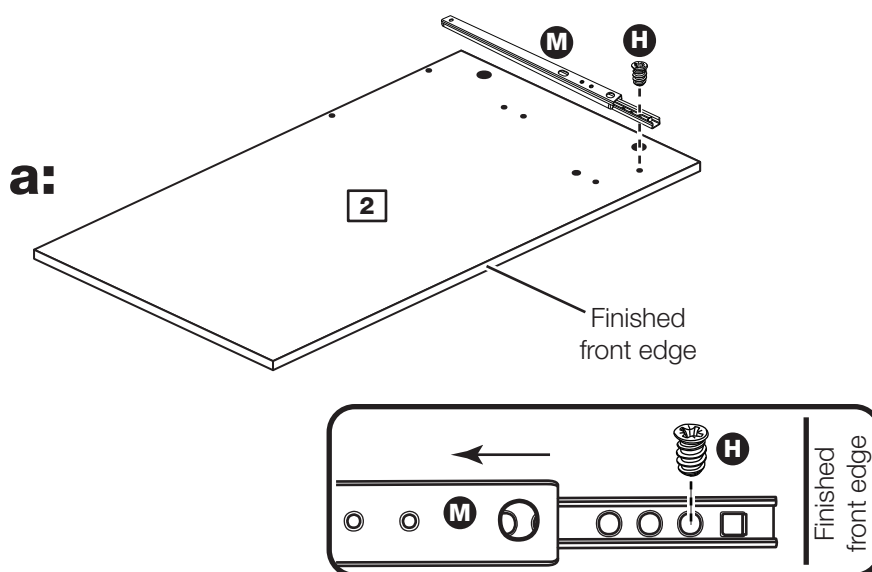
Prepare the right side

a: Place a runner **M** on the right side **2**. Slide back the top of runner and use the 1st hole from the front to fit the 1st screw **H**.

b: Slide the runner **M** back the other way and fit the 2nd screw **H** into the corresponding hole on the right side **2**.

c: Insert 2 large locking nuts **D** into the right side **2**.

Screw 3 metal dowels **B** into the right side **2**.



Assembly Instructions

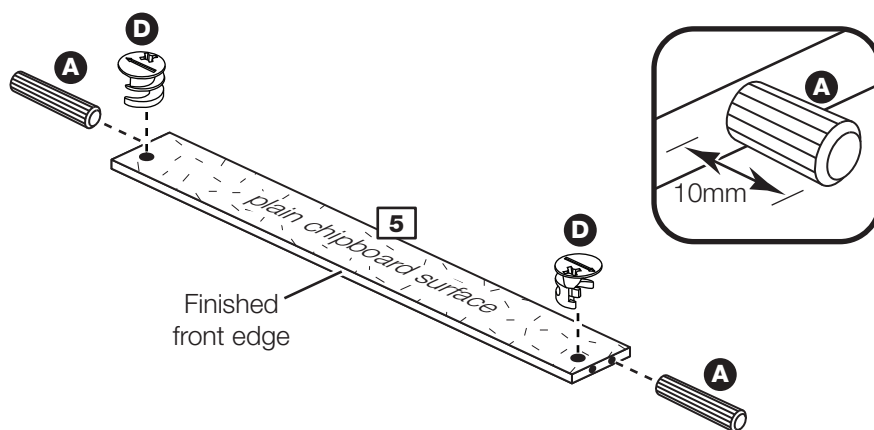
Step 10

Prepare the cross rail

Insert 2 large locking nuts **D** into the cross rail **5**.

Tap 2 wooden dowels **A** into the cross rail **5**.

Note: Wooden dowels **must not** stick out from the edge by more than 10mm or they may damage other panels.



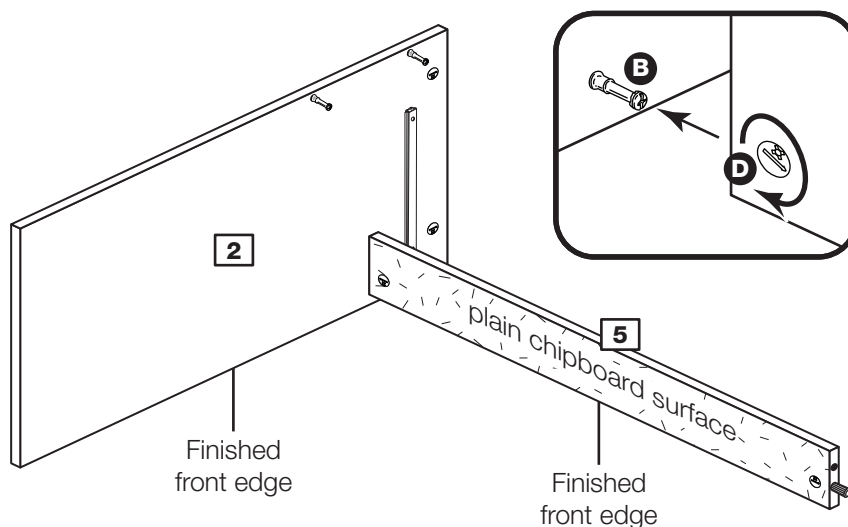
Step 11

Join the right side and cross rail

Push the cross rail **5** onto the right side **2**.

Use a screwdriver to tighten the large locking nut **D** fitted to the cross rail **5**.

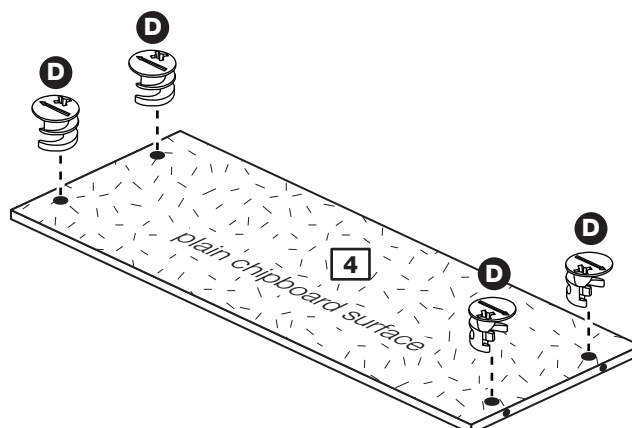
Note: Turn the large locking nut **D** as far as it will go - more than 1/2 a turn.



Step 12

Prepare the modesty

Insert 4 large locking nuts **D** into the modesty **4**.



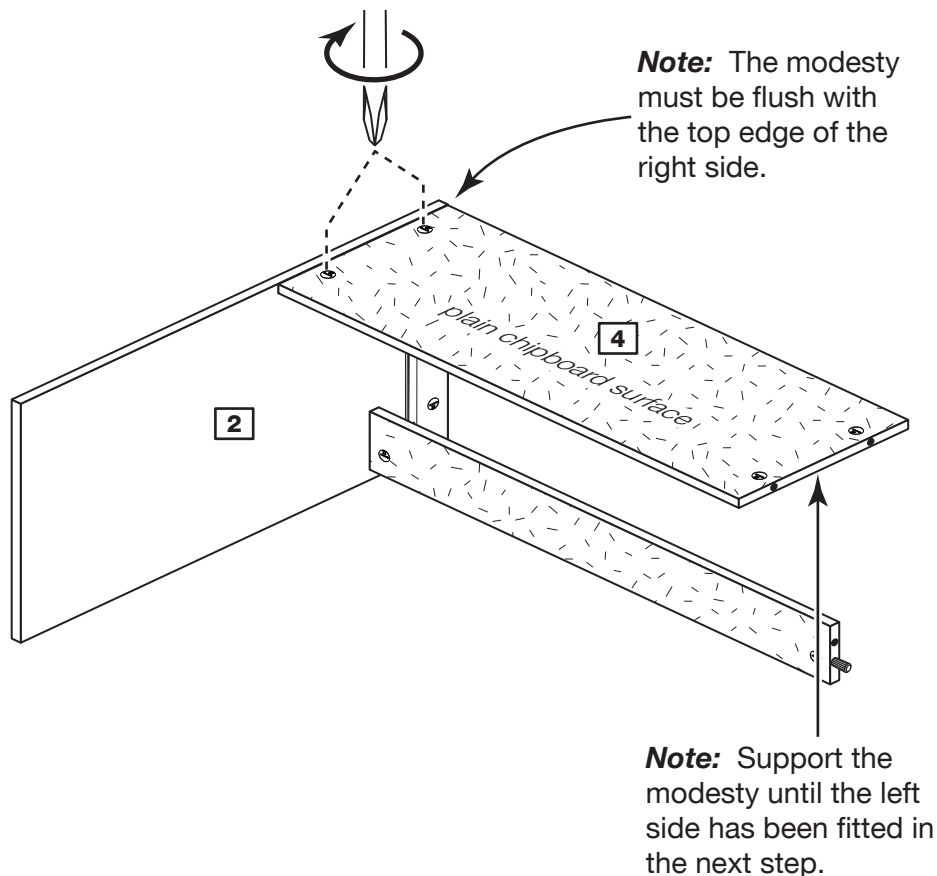
Assembly Instructions

Step 13

Fit the modesty

Push the modesty **4** onto the right side **2**.

Use a screwdriver to tighten the 2 large locking nuts **E** fitted to the modesty **4**.

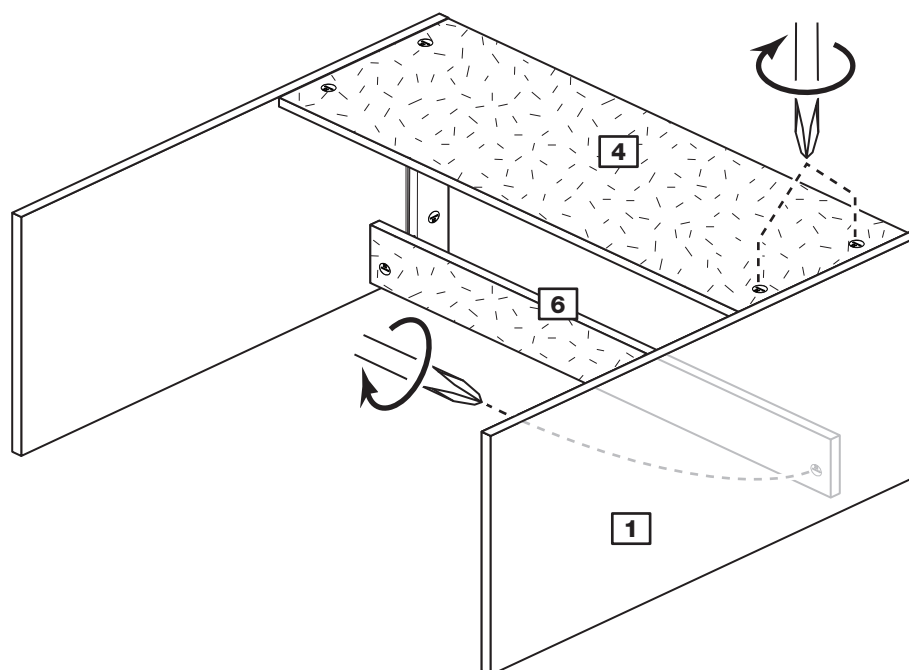


Step 14

Fit the left side

Push the left side **1** onto the modesty **4** and the cross rail **5**.

Use a screwdriver to tighten the 3 large locking nuts **D** fitted to the modesty **4** and cross rail **5**.



Assembly Instructions

Step 15

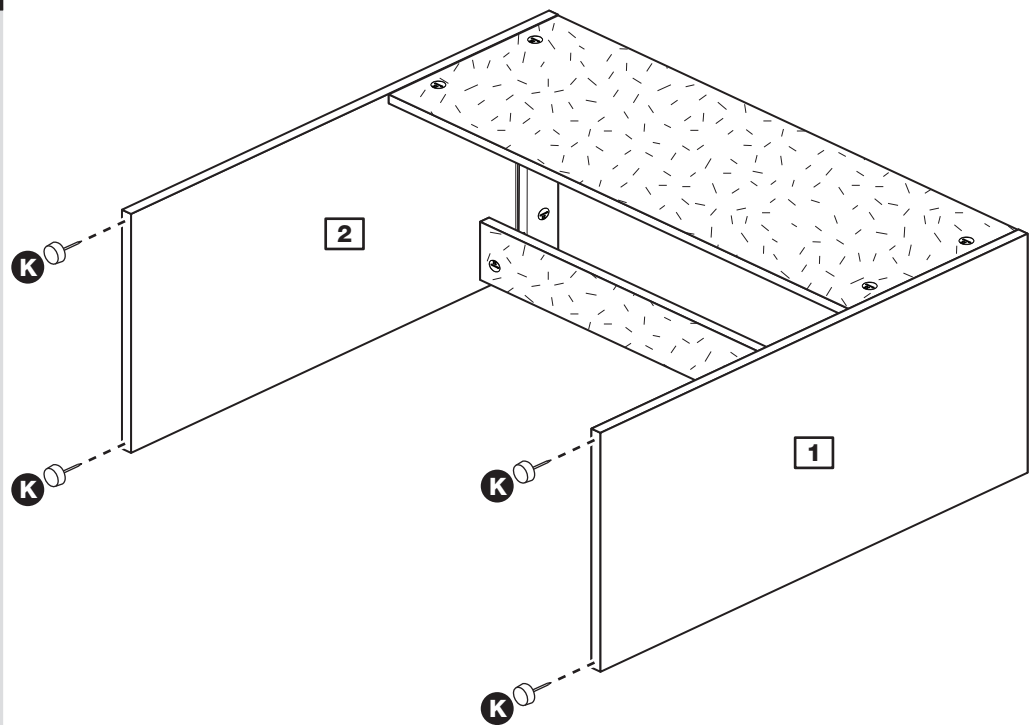
Fit the 4 plastic nails

Tap 2 plastic nails **K** into the bottom edge of each of the sides **1** and **2**.

Stand the unit up for the next step.



Warning: The unit is heavy. Lift with care.



Assembly Instructions

Step 16

Prepare the divider

a: Place a runner **M** on the divider **6** as shown. Slide back the top of runner and use the 2nd hole from the front to fit the 1st screw **H**.

b: Slide the runner **M** back the other way and fit the 2nd screw **H** into the corresponding hole in the divider **6**.

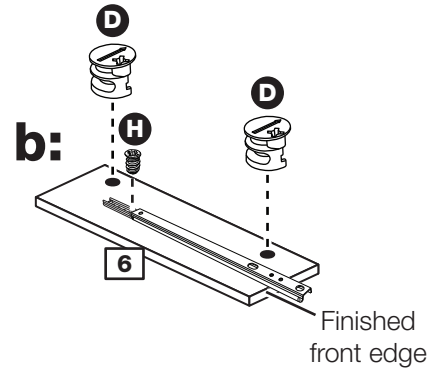
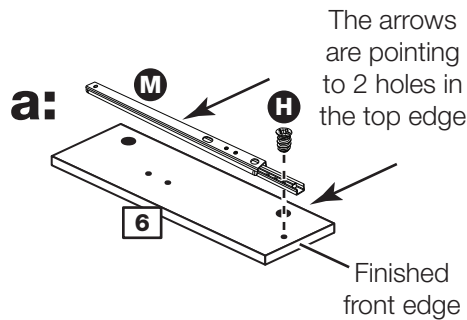
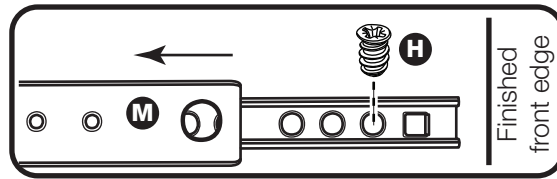
Insert 2 large locking nuts **D** into the divider **6**.

Turn the divider over

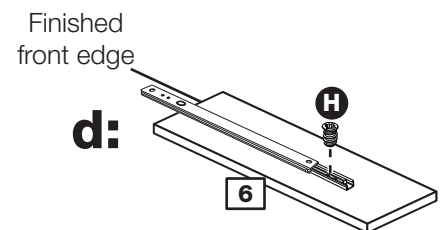
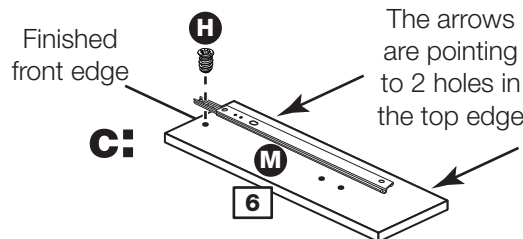
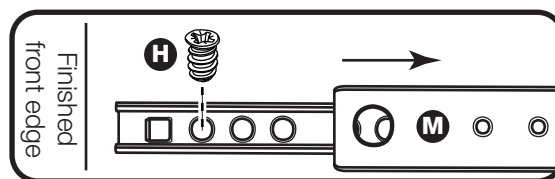
c: Place a runner **M** on the divider **6** as shown. Slide back the top of runner and use the 2nd hole from the front to fit the 1st screw **H**.

d: Slide the runner **M** back the other way and fit the 2nd screw **H** into the corresponding hole in the divider **6**.

Note: Due to the manufacturing process, the 2 holes for the large locking nut can be on either surface of the divider.



Turn the divider over

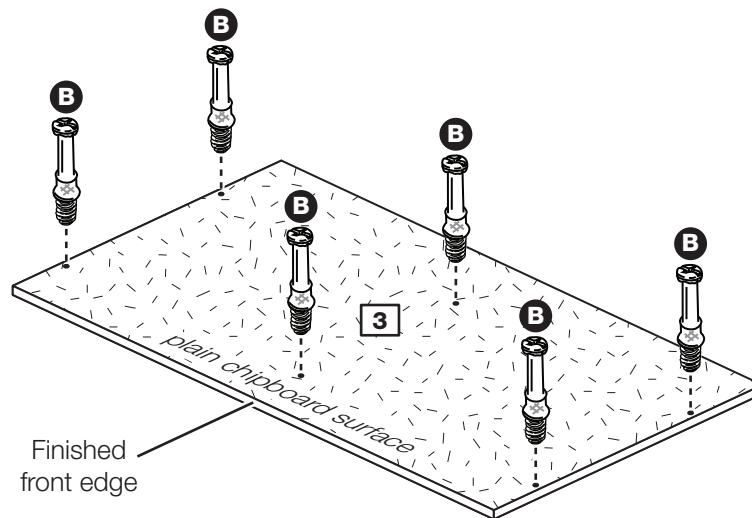


Assembly Instructions

Step 17

Prepare the top

Screw 6 metal dowels **B** into the top **3**.

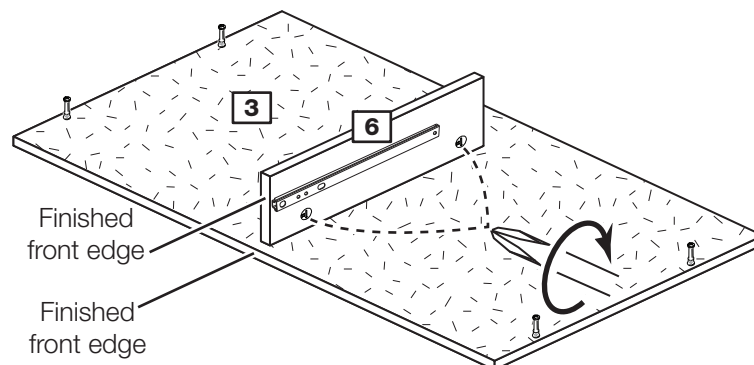


Step 18

Fit the divider onto the top

Push the divider **6** onto the top **3**.

Use a screwdriver to tighten the 2 large locking nuts **D** fitted to the divider **6**.



Note: The large locking nuts can be on either surface of the divider.

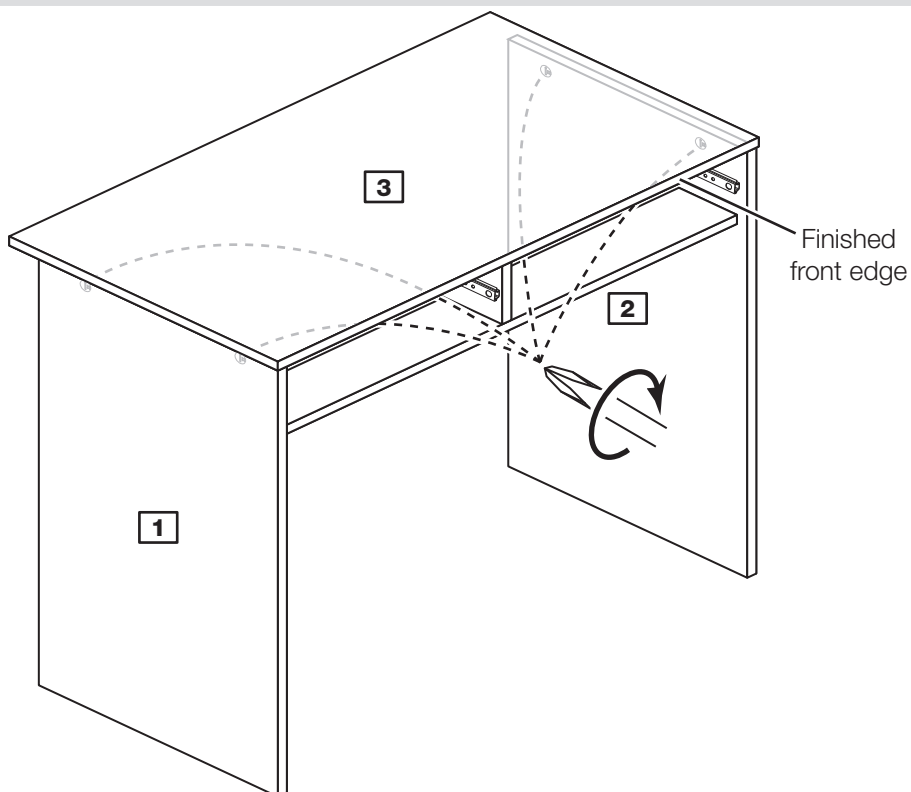
Assembly Instructions

Step 19

Fit the top

Push the top **3** down onto the side panels **1** and **2**.

Use a screwdriver to tighten the 4 large locking nuts **D** fitted to the side panels **1** and **2**.



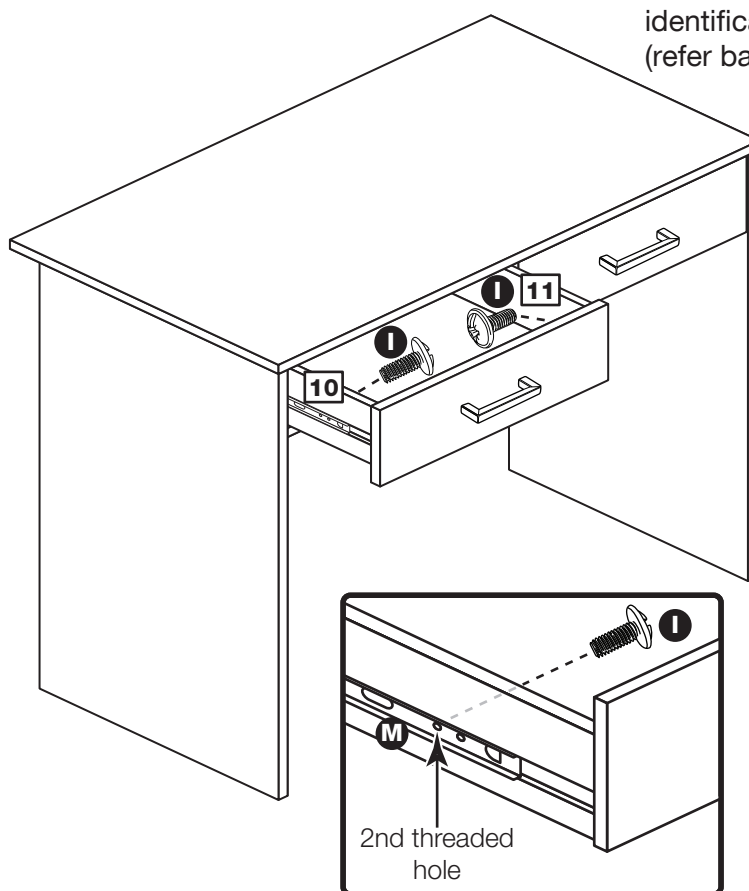
Note: The right drawer front has a shallow identification mark (refer back to step 1).

Step 20

Fit the drawers

Slide both of the runners **M** forward and locate the drawer sides **10** and **11** between them, lining up the holes in the drawer sides with the 2nd 'threaded' holes in the runners.

Working from the inside of the drawer, insert 2 screws **I** through the drawer sides and out into the 2nd threaded hole in the runner.



Note: Do not overtighten the screws. If they catch on the runner you may need to loosen them slightly.

Assembly Instructions

Step 21

Fit the bracket

To prevent possible overbalancing we recommend that this unit is secured to a suitable wall using the bracket **L**, fitted just below the modesty, on one of the side panels with the screw **G**.

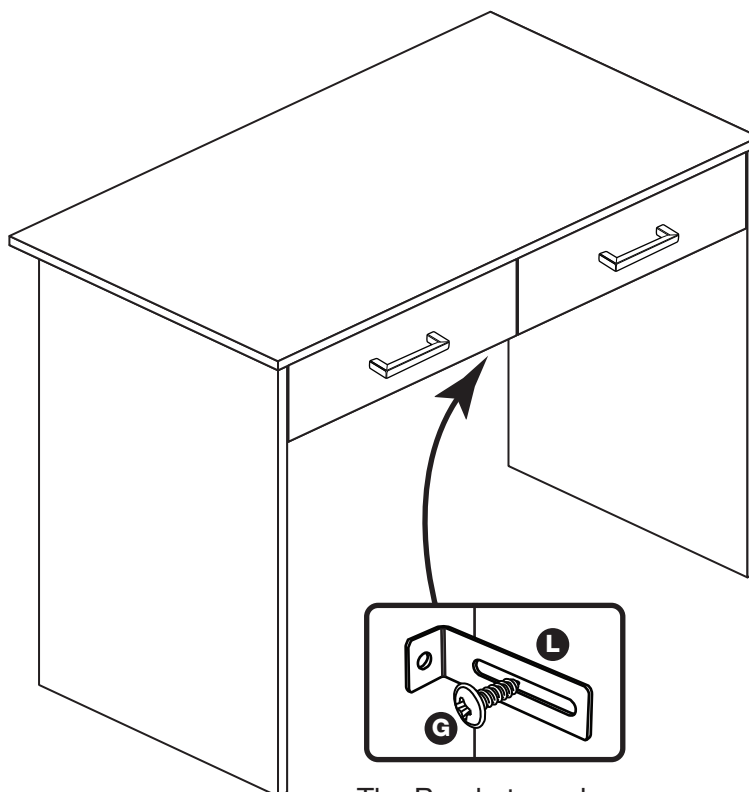
Fixings are not supplied as they will need to suit the wall type, and the length of screw will depend on the distance of the back of the unit to the wall.

Warning: Take care when drilling the wall that you do not drill into any pipes, wires etc. If in doubt, consult an expert.



Warning: The unit is heavy. Lift with care.

Assembly is complete



The Bracket can be fitted to either the Left Side or the Right Side.

If you need help or have damaged or missing parts, call the Customer Helpline: 08456 400800 and quote the reference numbers on the component pages.

Argos Ltd, 489-499 Avebury Boulevard, Central Milton Keynes, MK9 2NW

