

DREW

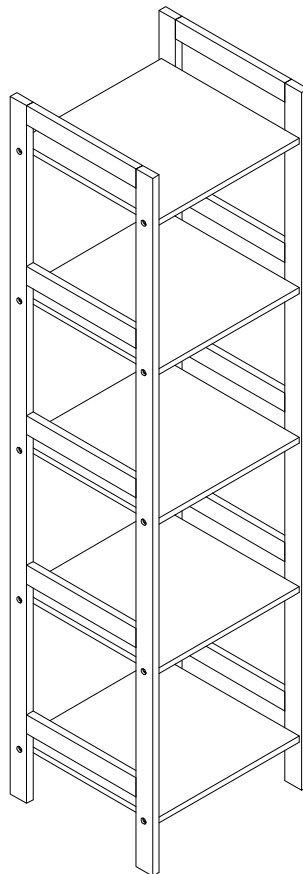
5 Level Shelf

habitat 

36x33x140cm

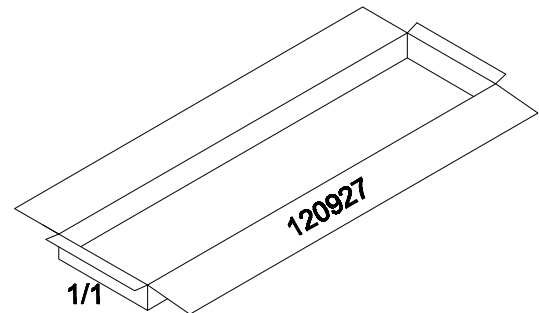
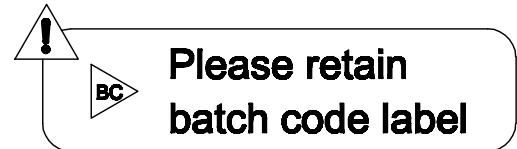
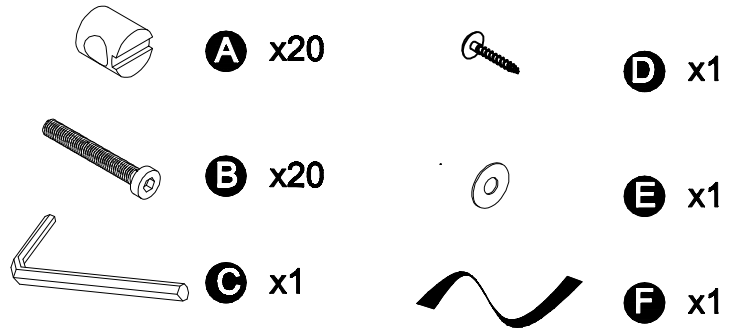
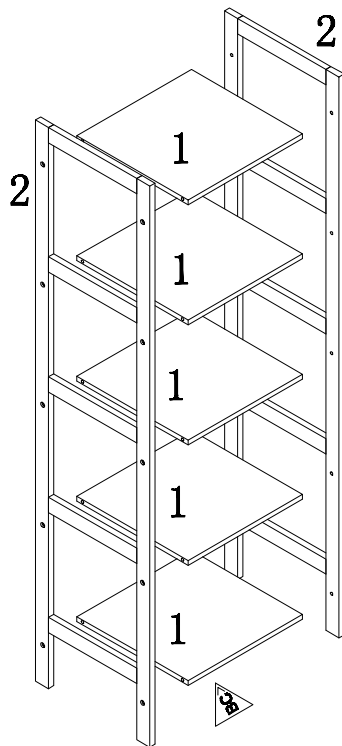
120927

DREW-5L-AW14-A



habitat

Components



Assembly Instructions

please keep safe for future reference

Before assembling the furniture please identify all component parts. It would be sensible to assemble the furniture as close to its final position as possible.

Do not place furniture directly in front of radiators, fires or any other source of heat.

Ensure the surface on which you are assembling the furniture is flat and clear of anything that might scratch it.

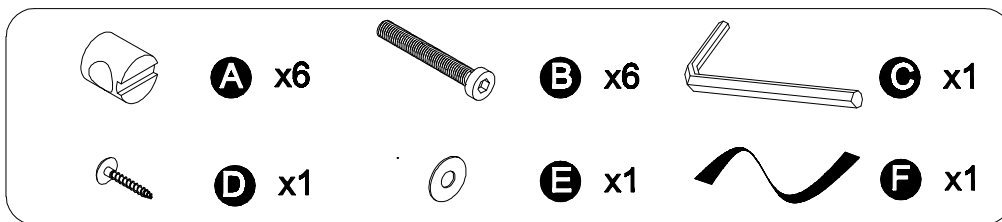
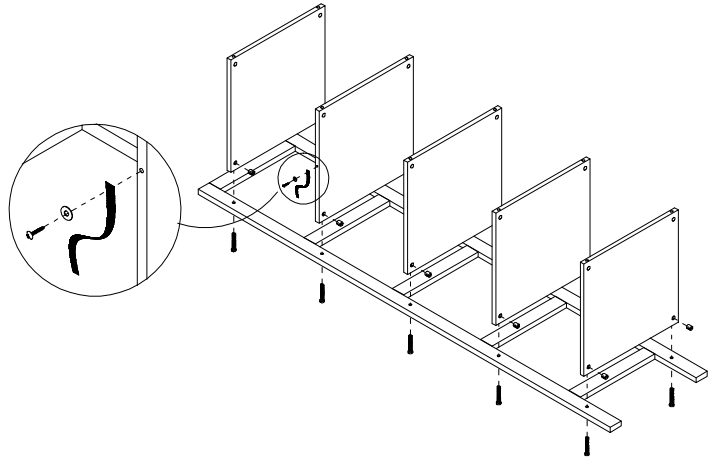
Check all packaging carefully for hardware and parts before discarding it.

1 Attach shelves to one of the legs by using hex flat screws, tighten firmly with hex wrench.

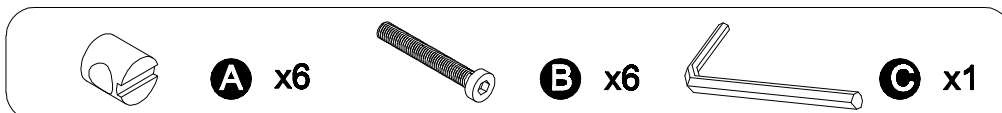
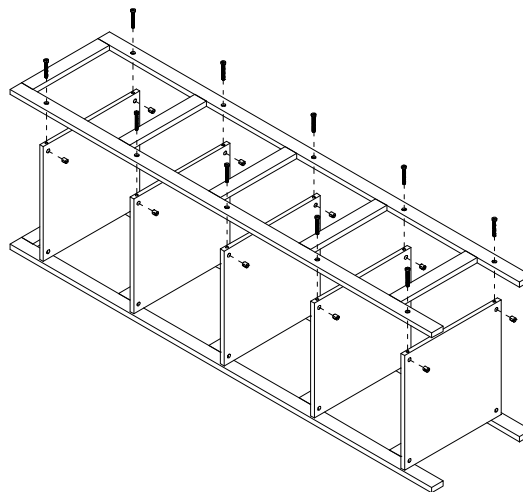
Please Note!

One shelf has a pilot hole along the edge for attaching the wall strap. Please remember to identify this shelf before assembly, and to position it 2nd from the top with the pilot hole facing out.

Habitat recommends that you use the supplied wall strap to secure the shelf to the wall.



2 Attach the other leg by using hex flat screws, tighten firmly with hex wrench.



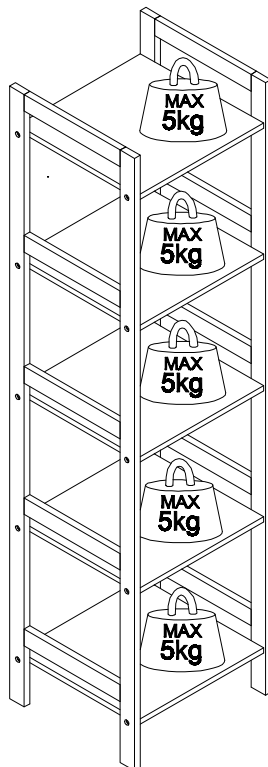
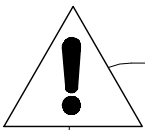
Care Instructions

Cleaning of Solid Timber / Veneers and Lacquered Surface.

Any spillage should be removed immediately by using a damp cloth, then wiping dry the surface with a clean dry duster. Repeat this procedure for periodic cleaning. The use of furniture polishes or sprays is not necessary or recommended.

If you have any comments or suggestions regarding this product, assembly instructions or service received, please enquire at your nearest store or contact us on our website at: www.habitat.co.uk or write to us at:

Habitat Retail Ltd. 489 - 499 Avebury Boulevard,
Milton Keynes MK9 2NW



A Guide to - Wall Mounting & Fixings

Important note:

Wall Fixings:



- because of the variety of different wall types, Habitat cannot provide you with the exact fixings you will need to fix this product to the wall.


You must first identify the type of wall you intend to fix product onto and then contact your local hardware store to get the appropriate fixings.



Important: When drilling into walls always check that there are no hidden wires or pipes etc.

Make sure that the screws and wall plugs being used are suitable for supporting your unit. Consult a qualified tradesperson if you are unsure.

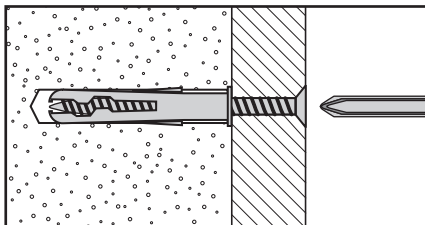
Hints:

- 1: General rule:**  Always use a larger screw and wall plug if you are not sure.
- 2:** Ensure you use the recommended drill bit to match the wall plug and hole size.
- 3:** Ensure you drill the hole horizontally, do not force the drill or enlarge the hole.
- 4:** Take extra care when drilling high walls, ceilings and ceramic tiles. Ensure wall plugs are inserted beyond the thickness of the ceramic tiles to avoid the tiles splitting or cracking.
- 5:** Ensure wall plugs are well fitted and are a tight fit in the drilled hole.

Types of walls

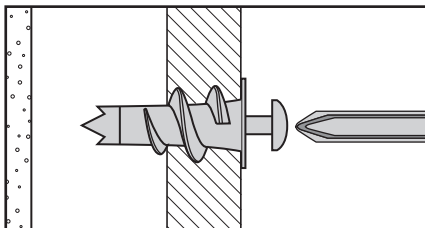
You can use one of the following types of wall plug if your walls are made of brick, breeze block, concrete, stone or wood.

No.1 "General Purpose" wall plug



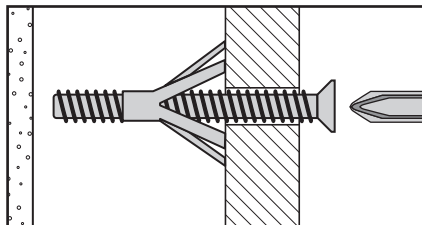
Generally aerated blocks should not be used to support heavy loads, use a specialist fitting in this case. For light loads, general purpose wall plugs can be used.

No.2 "Plasterboard" wall plug



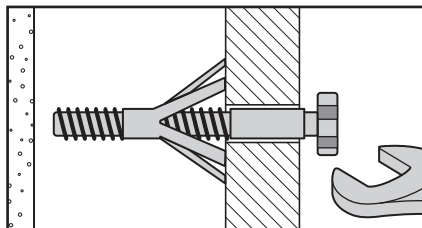
For use when attaching light loads on to plasterboard partitions.

No.3 "Cavity Fixing" wall plug



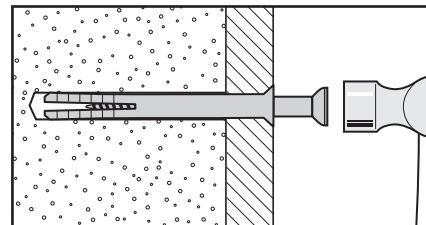
For use with plasterboard partitions or hollow wooden doors.

No.4 "Cavity Fixing-Heavy Duty" wall plug



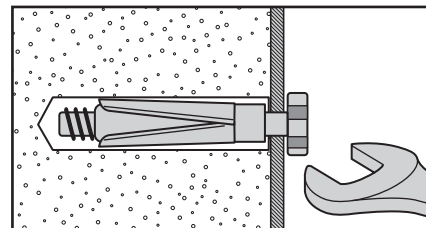
For use when fitting or supporting heavy loads such as shelving, wall cabinets and coat racks.

No.5 "Hammer Fixing" wall plug



For use with walls stuck with plasterboard. The hammer fixing allows it to be fixed to the wall rather than the plasterboard. Always check the fixing is secure to the retaining wall.

No.6 "Shield Anchor" wall plug Heavy loads



For use with heavier loads such as TV & HiFi speakers and satellite dishes etc.



Care & Maintenance

Safety: Always check the fitting and location to ensure your safety in and around the home.

Fitting: From time to time check the fitting to ensure the wall plugs or screws do not become loose.