

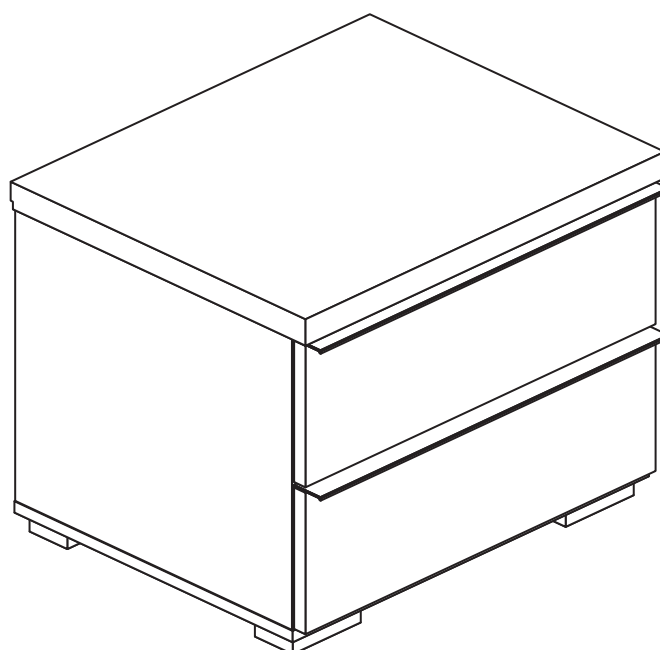
# Linear - 2 Drawer Bedside

Assembly Instructions - Please keep for future reference

259/6529

228/9135

254/9693



## Dimensions

Width - 47.5cm

Depth - 39cm

Height - 46.5cm



**MADE IN  
BRITAIN**

**Important** - Please read these instructions fully before starting assembly

If you need help or have damaged or missing parts, call the **Customer Helpline: 08456 400800**



# Safety and Care Advice

**Important - Please read these instructions fully before starting assembly**

- **Warning:** This unit weighs approximately 12.5kgs. Please lift with care.
- Check you have all the components and tools listed on pages 1, 2 and 3.
- Remove all fittings from the plastic bags and separate them into their groups.
- Keep children and animals away from the work area, small parts could choke if swallowed.
- Parts of the assembly will be easier with 2 people.

- Make sure you have enough space to layout the parts before starting.
- Do not stand or put weight on the product, this could cause damage.
- Assemble the item as close to its final position (in the same room) as possible.
- Assemble on a soft level surface to avoid damaging the unit or your floor (use opened out unit carton).



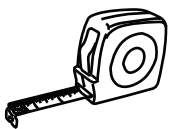
• We do not recommend the use of power drill/drivers **for inserting screws**, as this could damage the unit. Only use hand screwdrivers.

- **Safety note:** If there is any chance of this unit being pulled over by children etc. it is recommended that the unit is secured to a wall using suitable fixings (not supplied).
- Dispose of all packaging carefully and responsibly.

## Care and maintenance

- Only clean using a damp cloth and mild detergent, do not use bleach or abrasive cleaners.
- From time to time check that there are no loose screws on this unit.
- This product should not be discarded with household waste. Take to your local authority waste disposal centre.

## Tools required



Rule



Cross-head screwdriver



Scissors



Hammer



Eye protection (when using a hammer or drill)



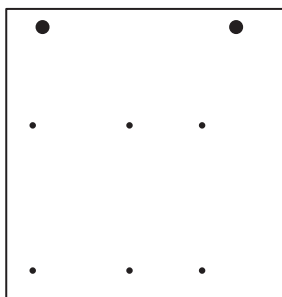
Electric drill (do not use for fitting screws)

**Note:** If required the next page can be cut out and used as reference throughout the assembly. Keep this page with these instructions for future reference.

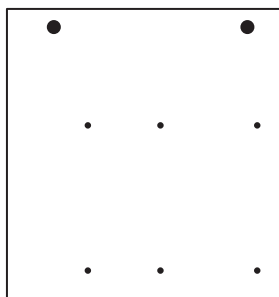
# Components - Panels

If you have damaged or missing components, call the **Customer Helpline: 08456 400800** quoting the reference numbers below

Please check you have all the panels listed below



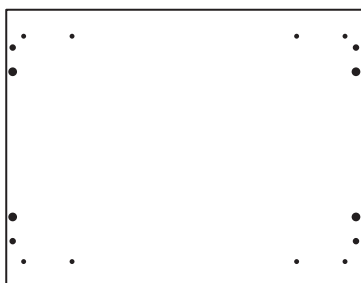
**1** Left Side (DF134)  
(387 x 366mm)



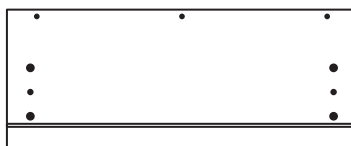
**2** Right Side (DF135)  
(387 x 366mm)



**3** Top (DF136)  
(475 x 390mm)



**4** Base (DF140)  
(471 x 368mm)



**5** Drawer Front (DF138)  
(463 x 186mm) x 2



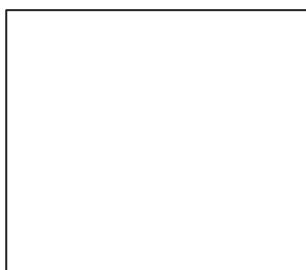
**6** Drawer Back (W388-124)  
(388 x 124mm) x 2



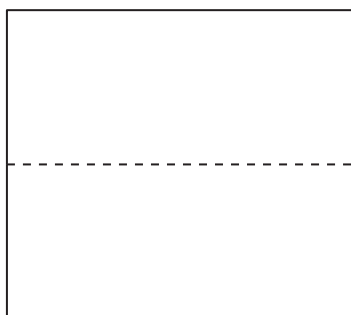
**7** Left Drawer Side (W350-124LH)  
(350 x 124mm) x 2



**8** Right Drawer Side (W350-124RH)  
(350 x 124mm) x 2



**9** Drawer Base (T399-347)  
(399 x 347mm) x 2



**10** Back (T465-408)  
(465 x 408mm)

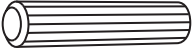
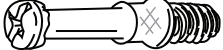



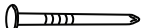







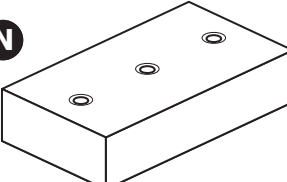

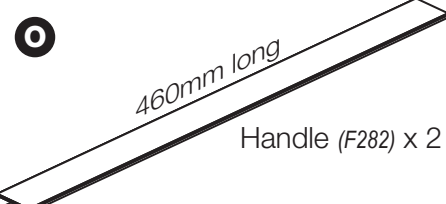
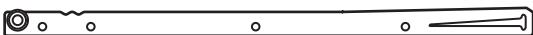



# Components - Fittings

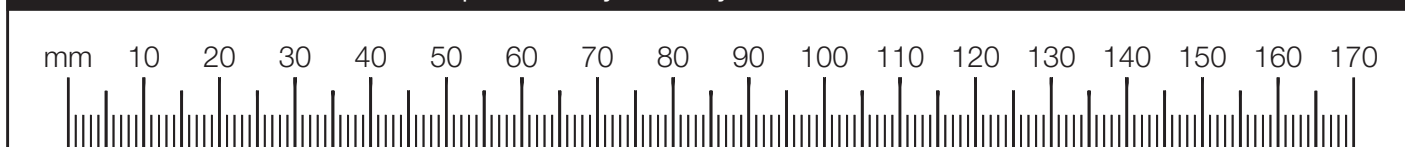
If you have damaged or missing components, call the **Customer Helpline: 0870 112 1928** or **email: Help@ClickSpares.co.uk** (quoting your original order number and the reference numbers below)

Please check you have all the fittings listed below

**Note:** The quantities below are the correct amount to complete the assembly. In some cases more fittings may be supplied than are required.

<p><b>A</b> </p> <p>Wooden dowel (F22) x 8</p>	<p><b>B</b> </p> <p>Metal dowel (F901) x 8</p>	<p><b>C</b> </p> <p>Small locking nut (F3) x 4</p>
<p><b>D</b> </p> <p>Large locking nut (F900) x 4</p>	<p><b>E</b> </p> <p>Knock-in Peg (F171GY) x 8</p>	<p><b>F</b> </p> <p>Nail (F51) x 12</p>
<p><b>G</b> </p> <p>40mm Screw (F910) x 4</p>	<p><b>H</b> </p> <p>38mm Screw (F81) x 8</p>	<p><b>I</b> </p> <p>13mm Screw (F52) x 12</p>
<p><b>J</b> </p> <p>13mm Screw (F79) x 6</p>	<p><b>K</b> </p> <p>13mm Screw (F63) x 12</p>	<p><b>L</b> </p> <p>Wedgefix (F639) x 4</p>
<p><b>M a</b>  L Runner (F159) x 2 ← 350mm long →</p>	<p><b>N</b> </p> <p>Foot (F233) x 4</p>	
<p><b>M b</b>  R Runner (F160) x 2</p>	<p><b>O</b> </p> <p>460mm long Handle (F282) x 2</p>	
<p><b>M c</b>  L Runner (F161) x 2</p>		
<p><b>M d</b>  R Runner (F162) x 2</p>		

Ruler - Use this ruler to help correctly identify the screws



# Assembly Instructions

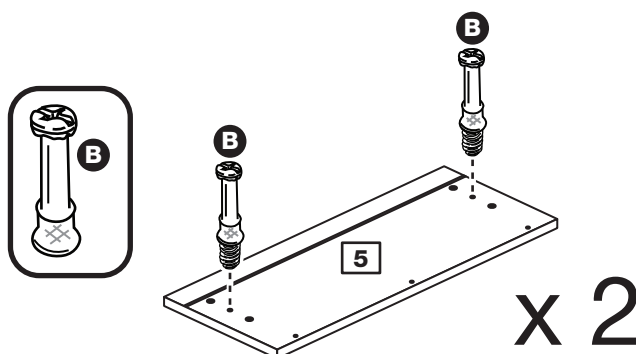
If you have damaged or missing components, call the  
**Customer Helpline: 08456 400800** quoting the reference  
numbers below

## Step 1

### Prepare the 2 drawer fronts

Screw 2 metal dowels **B** into each of the drawer fronts **5**.

**Note:** Tighten the metal dowels up fully against the panels.

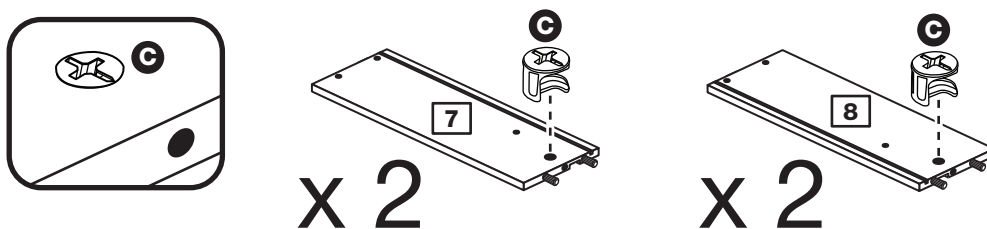


## Step 2

### Prepare the drawer sides

Insert a small locking nut **C** into the hole shown on the left drawer side **7** and the right drawer side **8**.

**Note:** The arrow on the locking nut **must** point towards the hole in the edge of the panel.



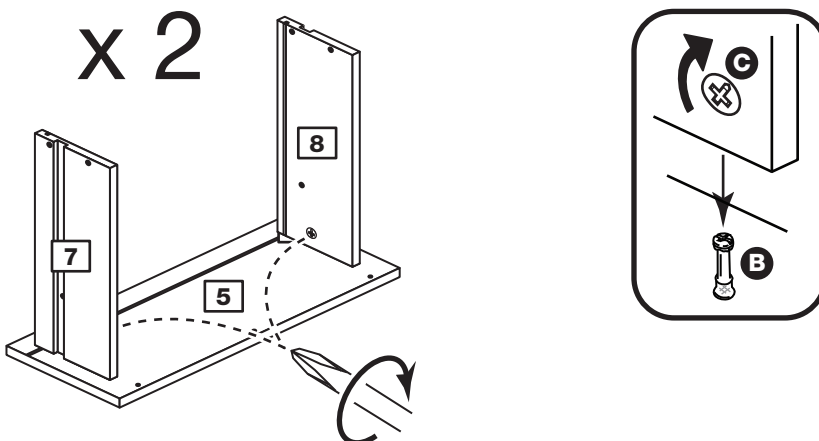
## Step 3

### Attach the drawer sides to the drawer fronts

Push the left drawer sides **7** and right drawer sides **8** onto the back of the drawer fronts **5**.

Turn the small locking nuts **C** on the left drawer side **7** and right drawer side **8**.

**Note:** Turn the locking nuts **C** clockwise to secure panels - more than 1/2 a turn.

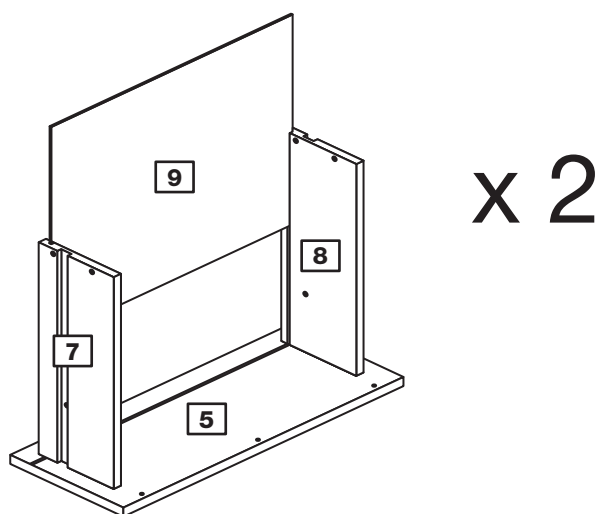


# Assembly Instructions

## Step 4

### Fit the drawer base

Slide the drawer base **9** down the grooves in the drawer sides **7** and **8** and down into the groove in the drawer front **5**.

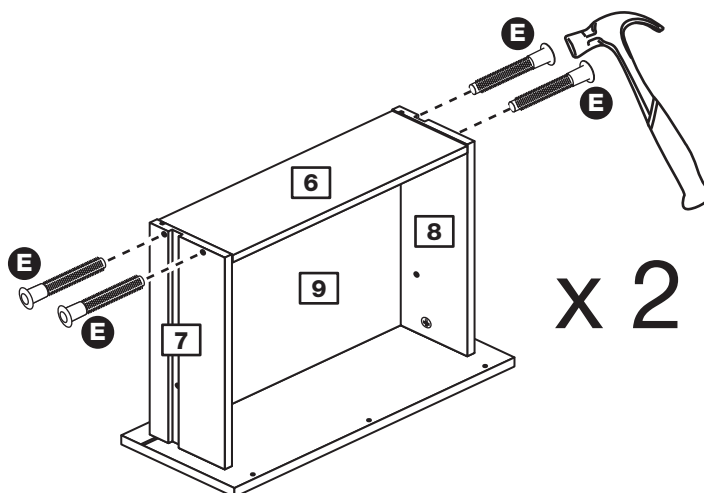


## Step 5

### Fit the drawer back

Fit the drawer back **6** between the drawer sides **7** and **8**. Make sure that the drawer base **9** fits into the groove in the drawer back **6**.

Hold the drawer back **6** in position and tap the knock-in pegs **E** through the holes in the drawer sides **7** and **8**.

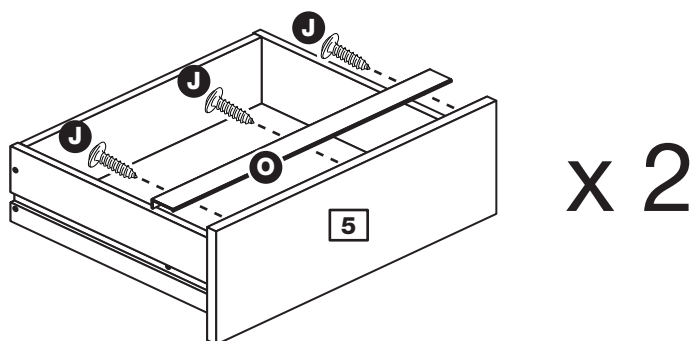


## Step 6

### Fit the handles

Position a handle **O** onto the top edge of each drawer front **5**.

Fix the handle **O** to the back surface of each drawer front **5** using 3 screws **J**.

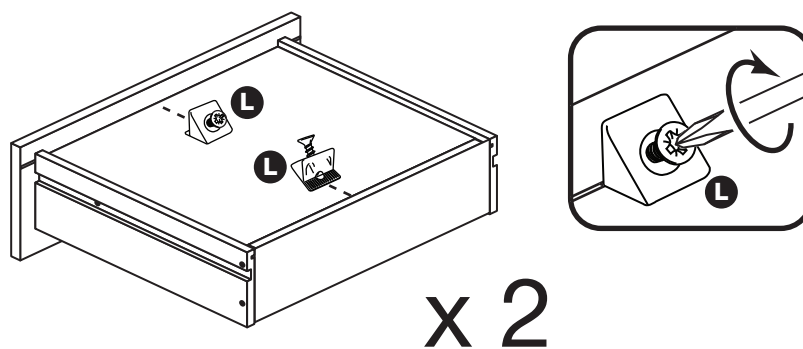


# Assembly Instructions

## Step 7

### Fit the wedgfixes

Turn the drawer assemblies over and slide 2 wedgfixes **L** into the front and back grooves, as shown, and tighten up the screws.

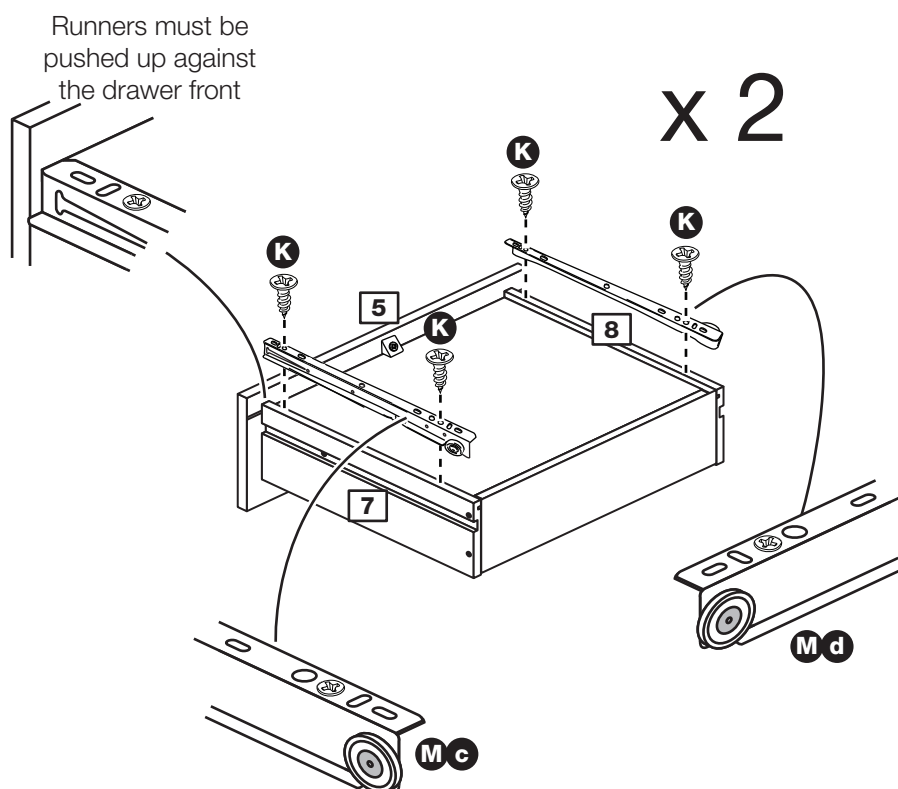


## Step 8

### Fit runners to the drawers

Fit the runner **M c** to the bottom edge of the left drawer side **7**, as shown, making sure that it is pushed up against the back of the drawer front **5**. Use a bradawl to mark the fixing positions, then secure with 2 screws **K**.

Fit the runner **M d** to the bottom edge of the right drawer side **8** using the same method.



# Assembly Instructions

## Step 9

### Prepare the left side

**a:** Fit 2 runners **Ma** to the left side **1**.

The 1st screw **I** uses the 2nd hole in from the front of the runner.

The 2nd and 3rd screws **I** use the holes that line up with the other panel holes.

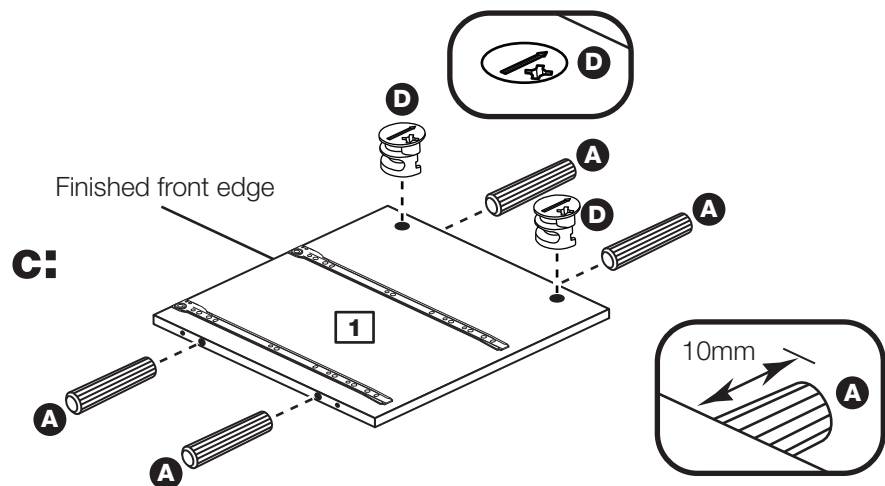
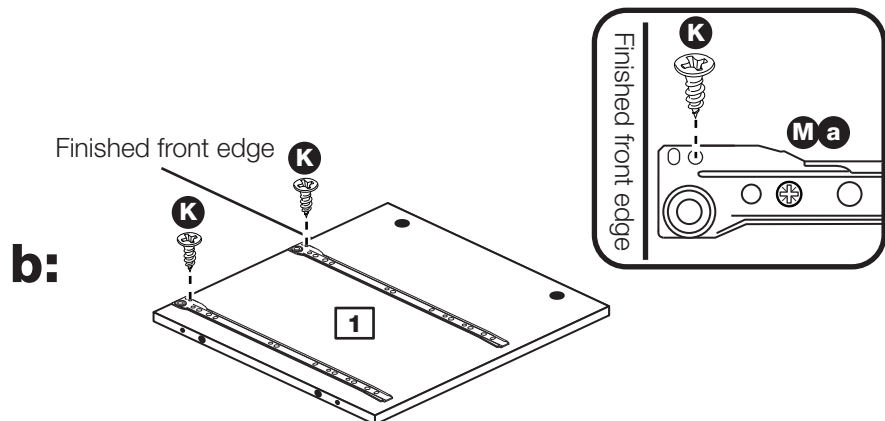
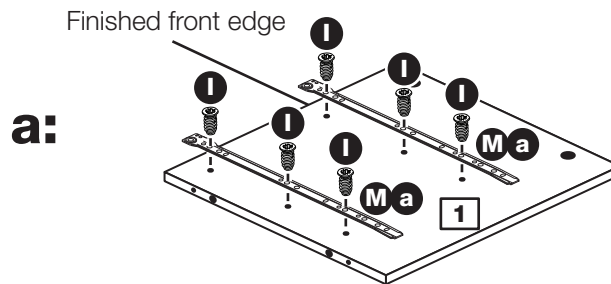
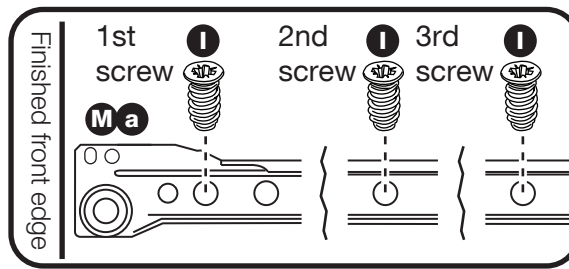
**b:** Fit a screw **K** into the 2nd hole in at the top of the runners **Ma**.

**c:** Tap 4 wooden dowels **A** into the left side **1**.

**Note:** Wooden dowels **must not** stick out from the edge by more than 10mm or they may damage other panels.

Insert 2 large locking nuts **D** into the left side **1**.

**Note:** The arrow on the locking nut **must** point towards the hole in the edge of the panel.





# Assembly Instructions

## Step 10

### Prepare the right side

**a:** Fit 2 runners **M b** to the right side **2**.

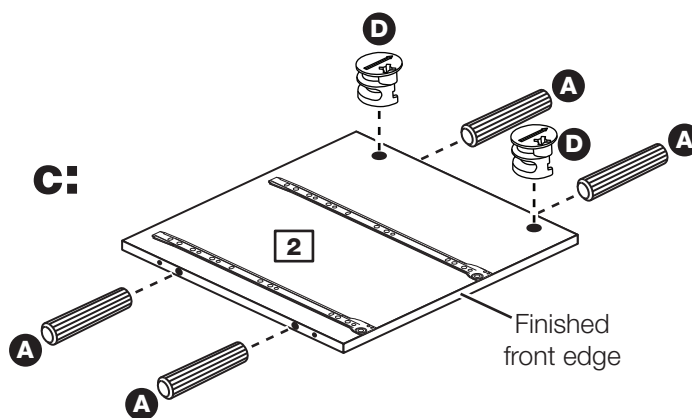
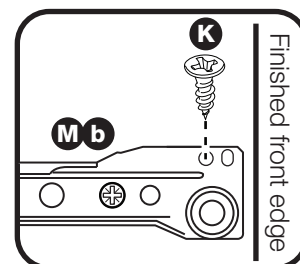
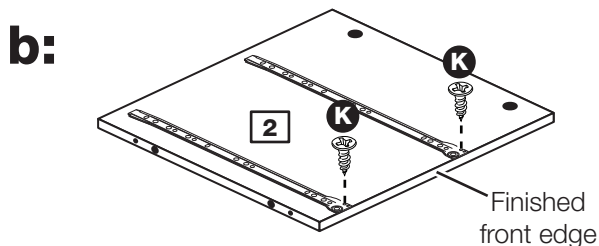
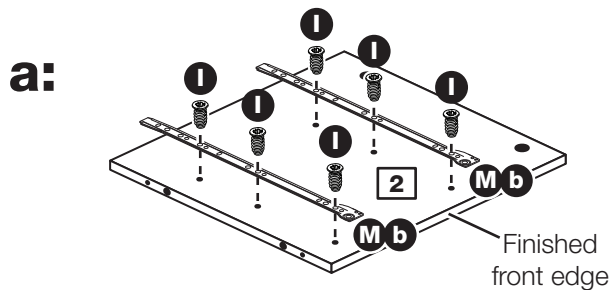
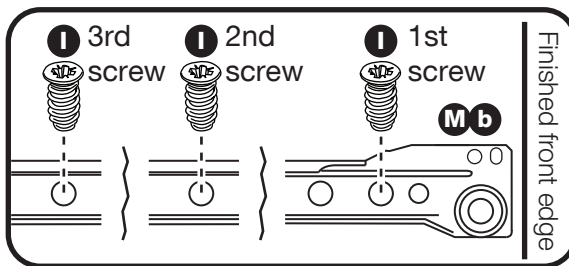
The 1st screw **I** uses the 2nd hole in from the front of the runner.

The 2nd and 3rd screws **I** use the holes that line up with the other panel holes.

**b:** Fit a screw **K** into the 2nd hole in at the top of the runners **M b**.

**c:** Tap 4 wooden dowels **A** into the right side **2**.

Insert 2 large locking nuts **D** into the right side **2**.

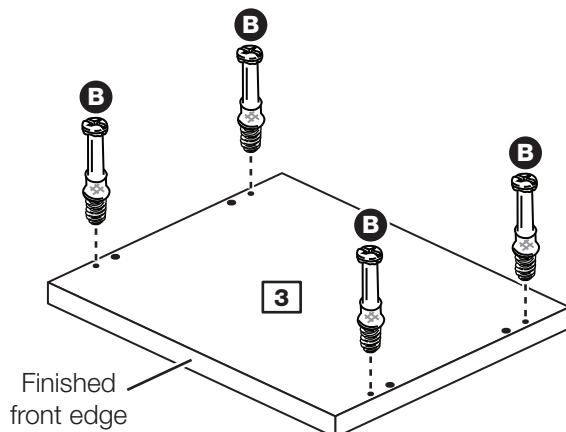


# Assembly Instructions

## Step 11

### Prepare the top

Screw 4 metal dowels **B** into the top **3**.



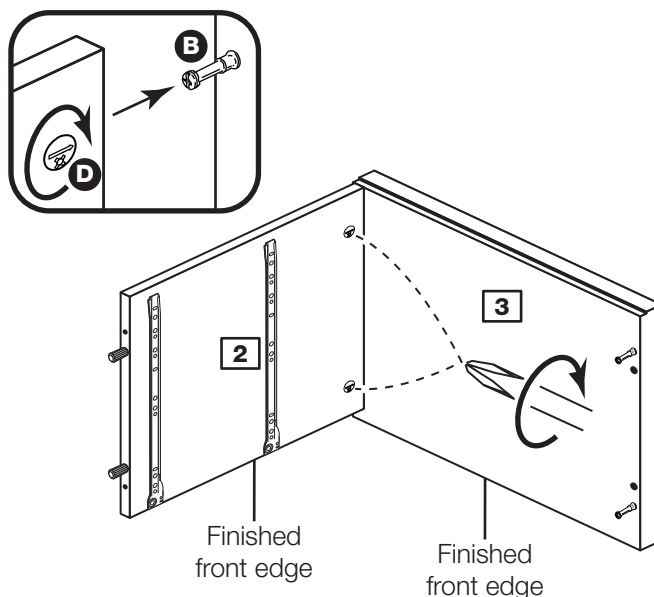
## Step 12

### Fit the right side to the top

Push the right side **2** onto the top **3**.

Use a screwdriver to tighten the 2 large locking nuts **D** fitted to the right side **2**.

**Note:** Turn the large locking nuts **D** as far as they will go - more than 1/2 a turn.

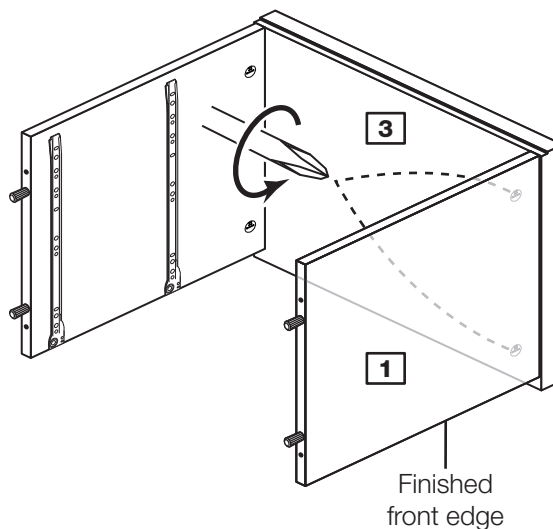


## Step 13

### Fit the left side

Push the left side **1** onto the top **3**.

Use a screwdriver to tighten the 2 large locking nuts **D** fitted to the left side **1**.



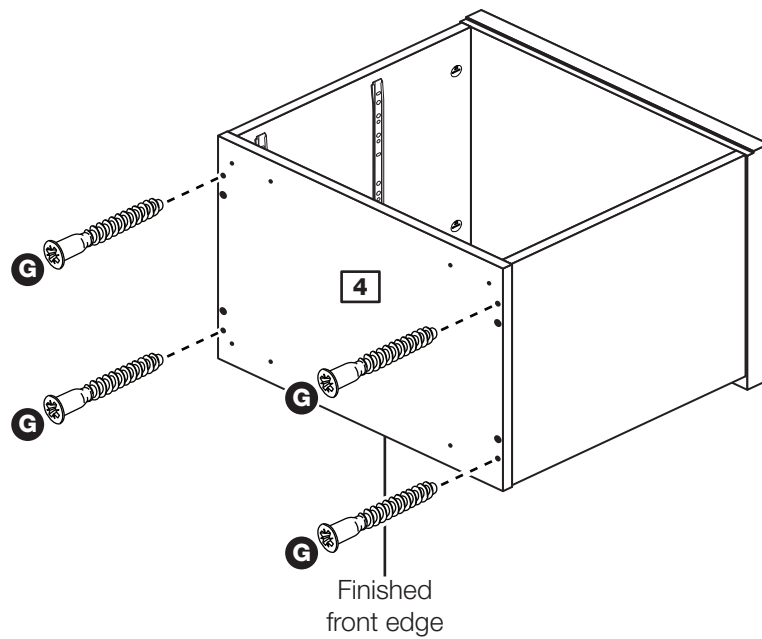
# Assembly Instructions

## Step 14

### Fit the base

Fit the base **4** onto the assembly using 4 screws **G**.

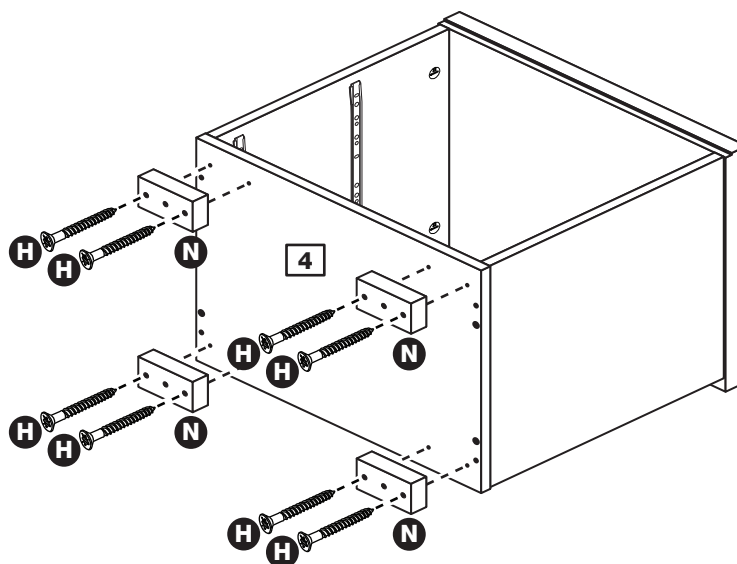
**G**.



## Step 15

### Fit the feet

Fit the feet **N** to the base **7** using screws **H**.



# Assembly Instructions

## Step 16

### Fit the back

**a:** Square up the unit by making sure that measurement **x to x** equals **y to y**.

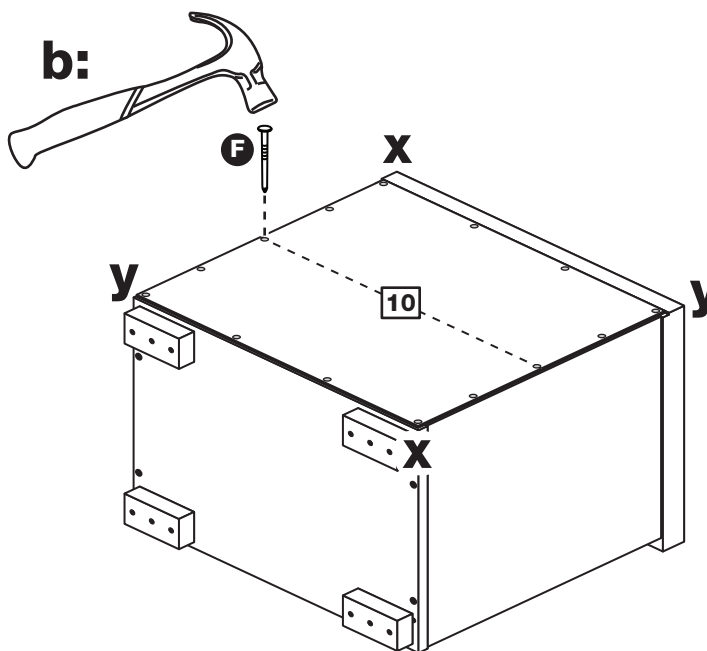
**b:** Place the back **10** onto the unit.

Nail **F** around the outside edges of the back **10**.

**Note:** Nails should be evenly spaced out.

**Stand the unit up for the next step.**

**a:** The measurement from top corner X to bottom corner X must be equal to the measurement from top corner Y to bottom corner Y

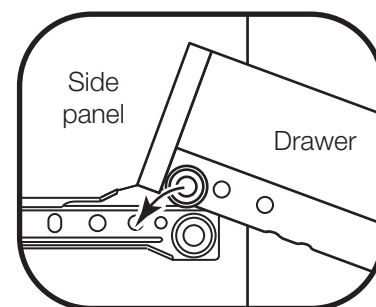
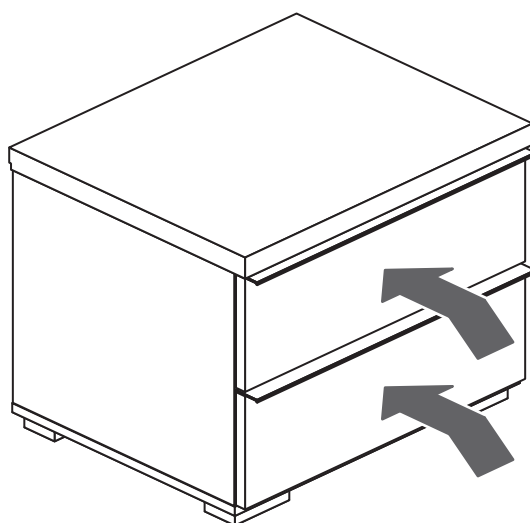


## Step 17

### Fit the drawers

Slide the wheels of the runners fitted to the drawers, over the wheels of the runners fitted to the side panels and push the drawers into position.

**Assembly is complete**



If you need help or have damaged or missing parts, call the Customer Helpline: 08456 400800 and quote the reference numbers on the component pages.

Argos Ltd, 489-499 Avebury Boulevard, Central Milton Keynes, MK9 2NW