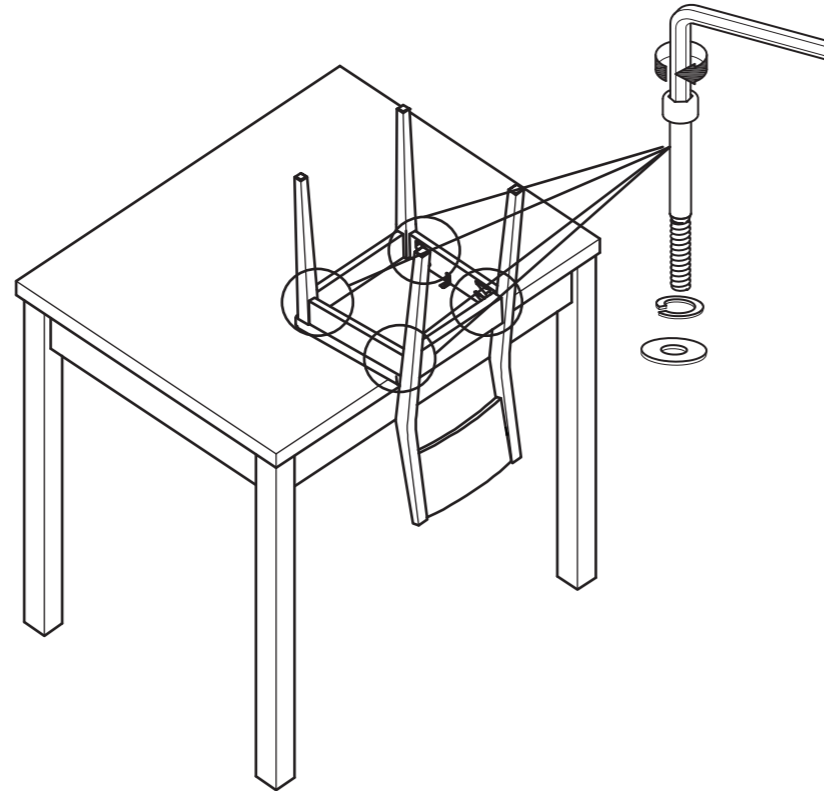


Assembly Instructions

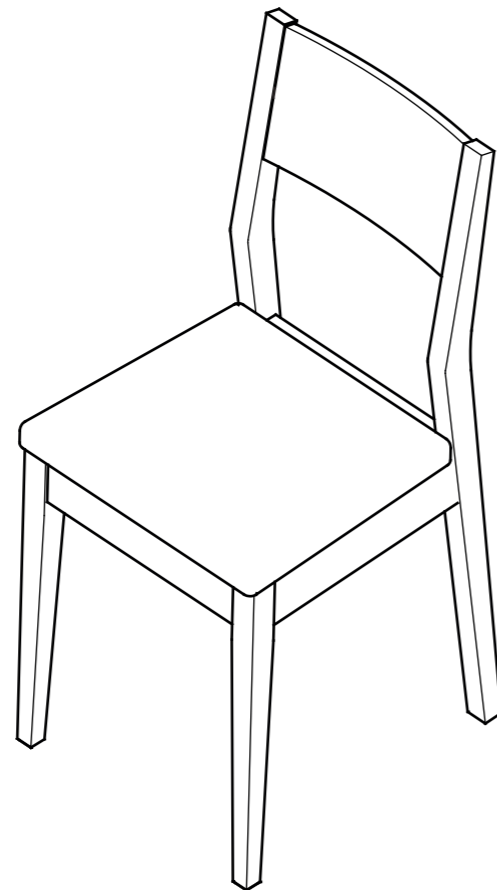
c: After the sitting test, re-tighten bolts again, if any adjustment needed.

c:



d: It is highly recommend to re-tighten all the bolts again after using the chair for 7 days.

d:



Note : Please keep the allen key to re-tighten all bolts again when required.

Assembly is complete.

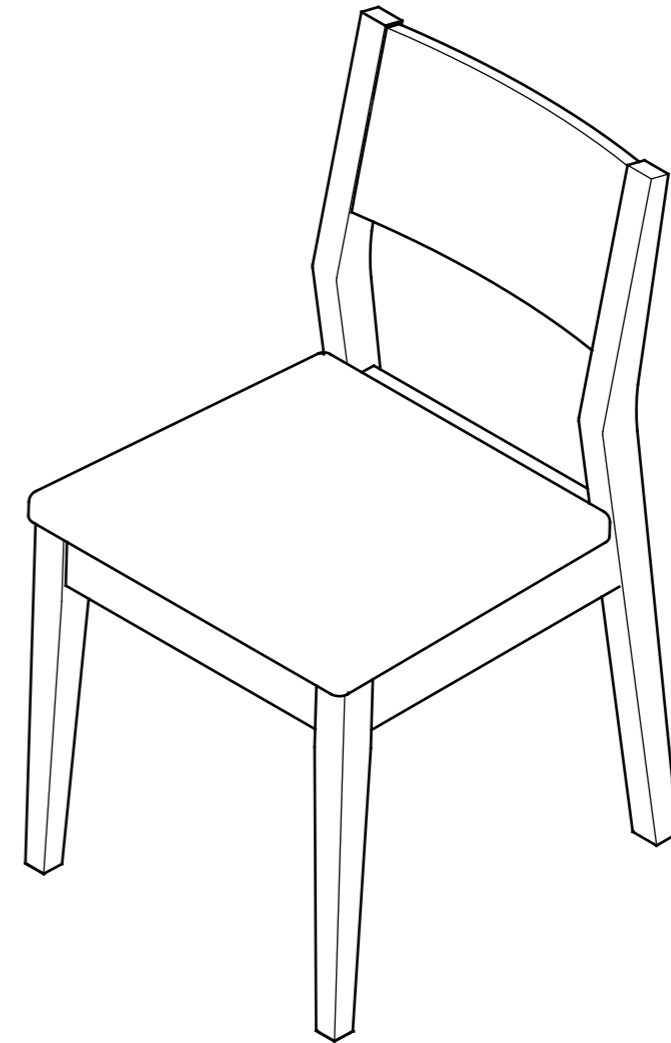
If you need help or have damaged or missing parts, call the **Customer Helpline: 0345 640 0800**

Hygena Chair

Assembly Instructions - Please keep for future reference.

249/8940

hygena



Dimensions

Width - 45cm
Depth - 53cm
Height - 83cm

Important – Please read these instructions fully before starting assembly

If you need help or have damaged or missing parts, call the **Customer Helpline: 0345 640 0800**

! Safety and Care Advice

Important – Please read these instructions fully before starting assembly

- Check you have all the components and tools listed on page 2 and 3.

- Remove all fittings from the plastic bags and separate them into their groups.

- Keep children and animals away from the work area, small parts could choke if swallowed.

- Make sure you have enough space to layout the parts before starting.

- Do not stand or put weight on the product during assembly, this could cause damage.

- Assemble the item as close to its final position (in the same room) as possible.

- Assemble on a soft level surface to avoid damaging the unit or your floor.

- Parts of the assembly will be easier with 2 people.

- Do not stand on the chair.

- Do not use the chair as step ladder



- To reduce the likelihood of damaging your product please ensure that your power drill is set on a low torque setting.

- Dispose of all packaging carefully and responsibly.

- Maximum safe weight of user: 110 Kgs.

- This product should not be discarded with household waste. Take to your local authority waste disposal centre.

Care and maintenance

- Only clean using a damp cloth and mild detergent, do not use bleach or abrasive cleaners.

- From time to time check that there are no loose screws on this unit.

- This product should not be discarded with household waste. Take to your local authority waste disposal centre.

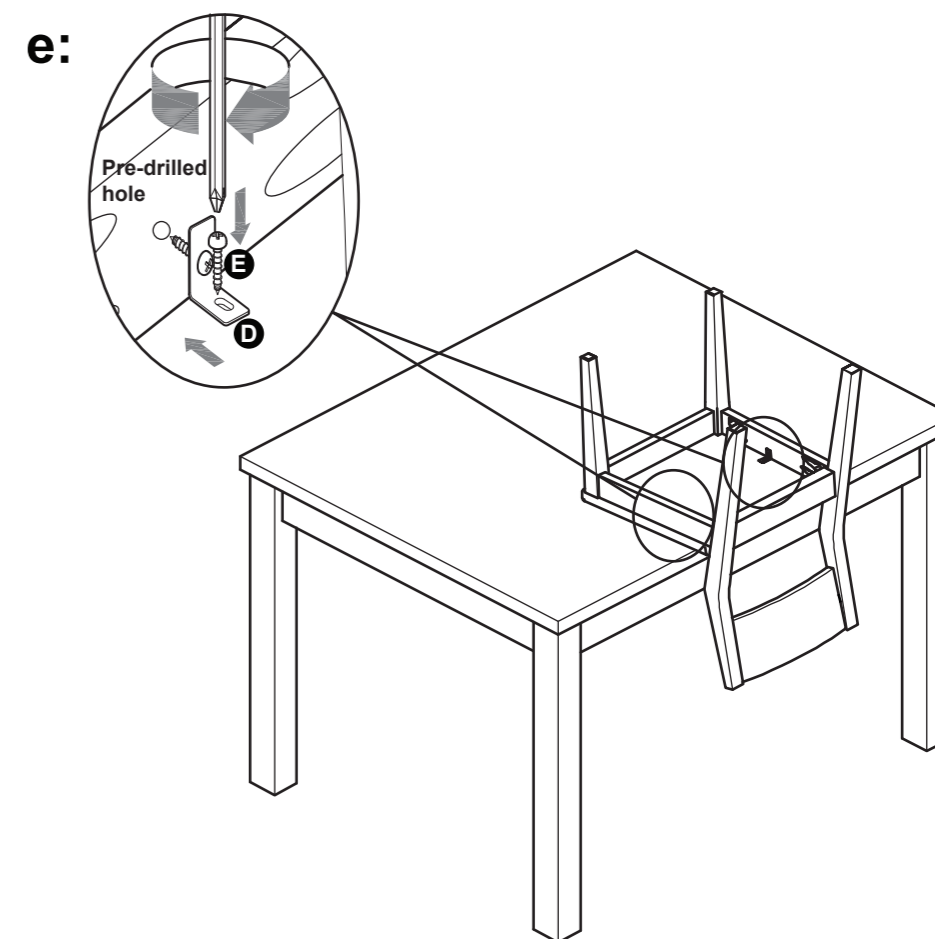
Handy Hints

- Assemble all parts and bolts loosely during assembly, only once the product is complete should you fully tighten the bolts.

- Regularly check and ensure that all bolts and fittings are tightened properly.

Assembly Instructions

e: Attach lock bracket **D** by using screw **E** as shown in the figure.



Step 2

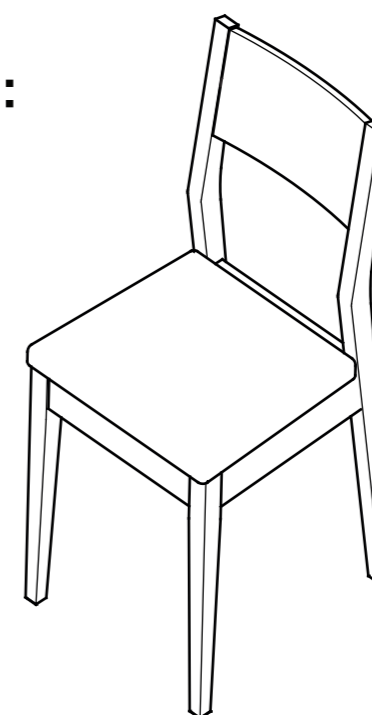
Note : Place the chair on a level floor.

a: Tighten all bolts.

Note : This step is essential to prevent the chair from wobbling due to legs uneven.

b: Sit on the chair.

a:

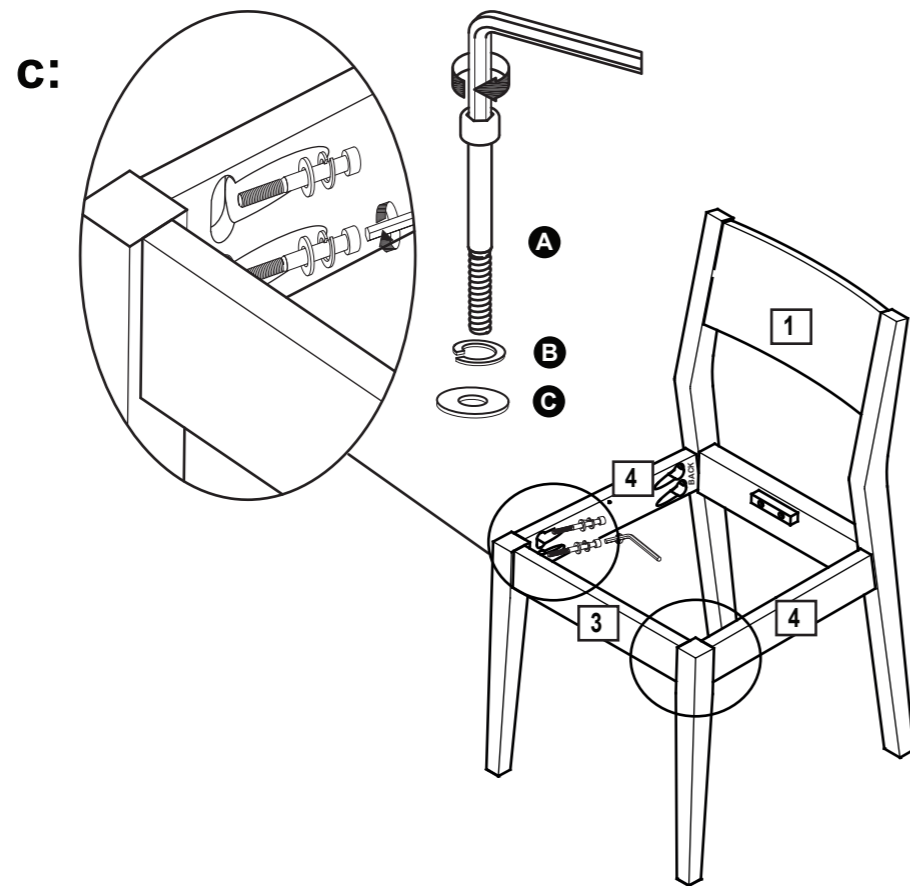


b:

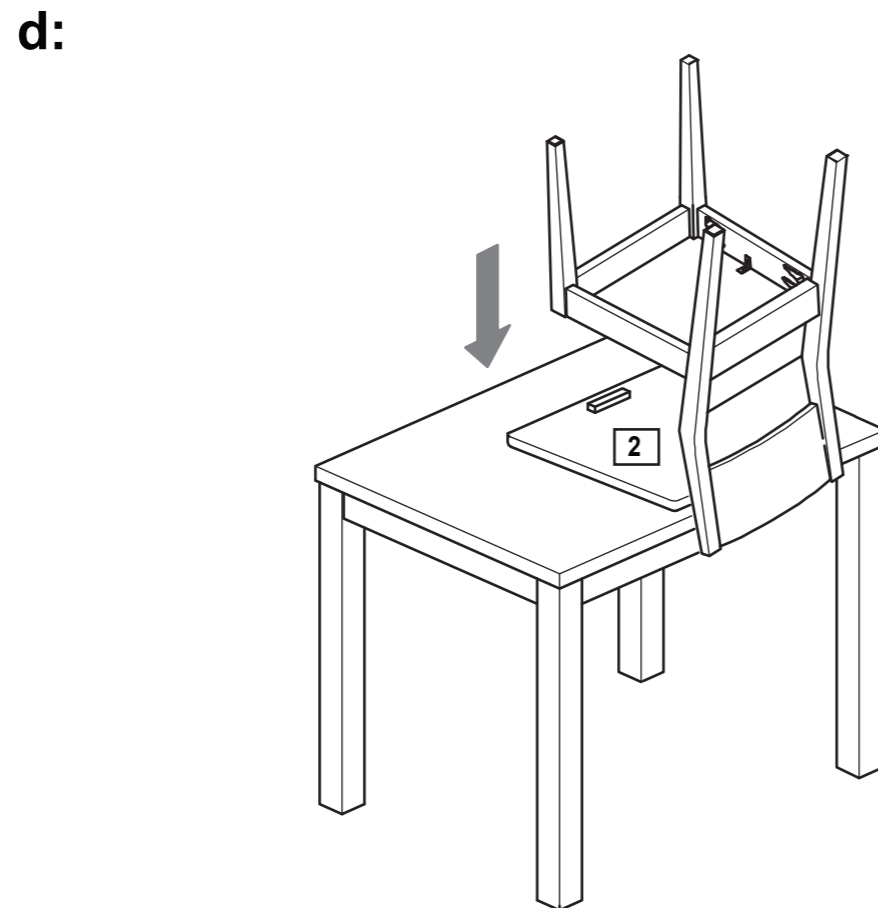


Assembly Instructions

c: Place the chair on the floor. Insert bolts **A** with spring washers **B** and washers **C** through side rails holes into front leg frame **3** screw all bolts by using allenkey **F**.



d: Place the seat pad **2** on the table. Put the chair frame on top of the seat back.

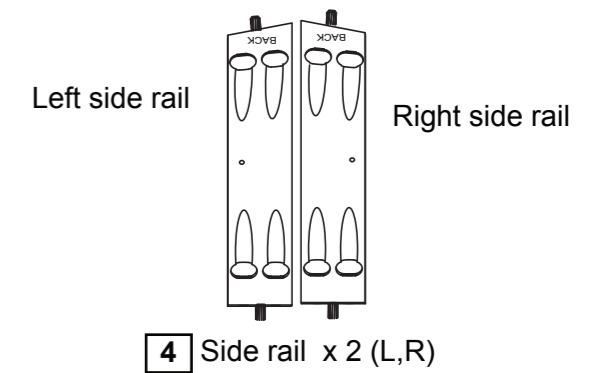
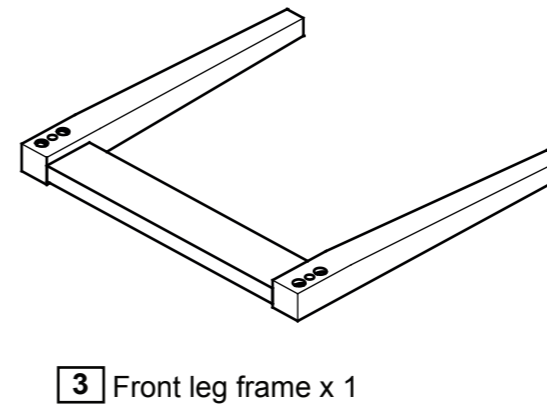
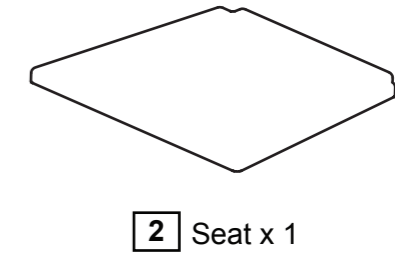
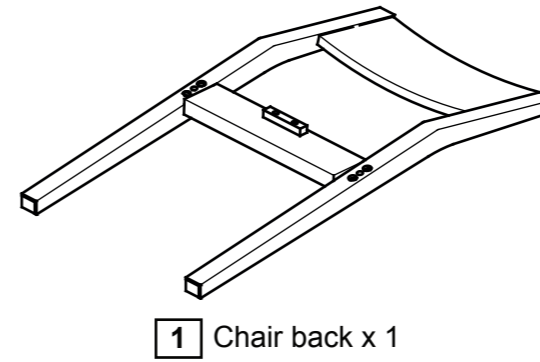


Components - Parts

If you have damaged or missing components, call the **Customer Helpline: 0345 640 0800**

Please check you have all the parts listed below

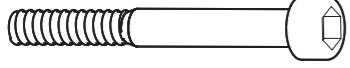


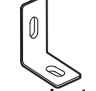
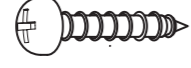

Note : The quantities below are the correct amount to complete the assembly of 1 chair.



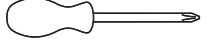
Components - Fittings

Please check you have all the fittings listed below

Note: The quantities below are the correct amount to complete the assembly of 1 chair. In some cases more fittings may be supplied than are required.

A  Bolt x 8	B  Spring washer x 8	C  Washer x 8
D  Lock bracket x 2	E  Screw x 4	F  Allenkey x 1

Tools required

 Phillips screwdriver
(medium & large)

Ruler - Use this ruler to help correctly identify the screws



Assembly Instructions

Step 1

a: Attach left and right side rails **4** onto the chair back **1** with bolt **A**, spring washers **B** and washers **C** by using allenkey **F** as shown in the figure.

Do not fully tighten.

b: Fit the front leg frame **3** onto the side rails **4**.

