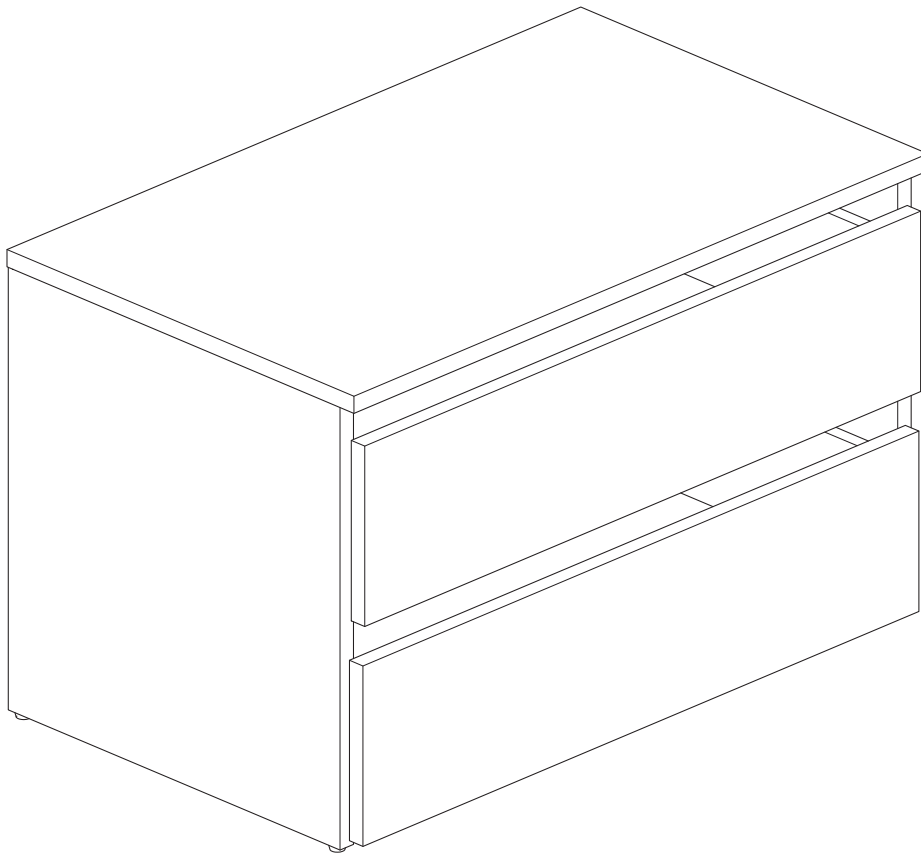


Bergen 2 drawer internal chest 150/180

Assembly Instructions Please keep for future reference

249/8201

hygena



Dimensions

Width - 64cm
Depth - 38.7cm
Height - 40.1cm

**Tip : To prevent damage,
we recommend that you
build your unit on the
carton(s) it was packed in.**

Important – Please read these instructions fully before starting assembly

If you need help or have damaged or missing parts, please visit: www.argos-support.co.uk
or email: Help@ClickSpares.co.uk (quoting your original order number)
Alternatively, call the Spares Helpline on: **0370 112 1928**
For any other queries please contact the Customer Helpline on: **0345 640 2020**



Safety and Care Advice

Important – Please read these instructions fully before starting assembly

- Check you have all the components and tools listed on the following pages.
- Remove all fittings from the plastic bags and separate them into their groups.
- Keep children and animals away from the work area, small parts could choke if swallowed.
- Make sure you have enough space to layout the parts before starting.

- During assembly do not stand or put weight on the product, this could cause damage.
- Assemble the item as close to its final position (in the same room) as possible.
- Assemble on a soft level surface to avoid damaging the unit or your floor.
- Parts of the assembly will be easier with 2 people.



- To reduce the likelihood of damaging your product please ensure that your power drill is set on a low torque setting.

Glue safety - Take care when using glue, please follow the advice below

Skin contact: Remove contamination by washing with soap and water. This procedure should also be followed prior to eating and drinking.

Eye contact: Rinse immediately with clean water for 15 minutes and seek medical advice.

If swallowed: Seek medical advice immediately.

Care and maintenance

• Only clean using a damp cloth and mild detergent, do not use bleach or abrasive cleaners.

• From time to time check that there are no loose screws on this unit.

• This product should not be discarded with household waste. Take to your local authority waste disposal centre.

Handy Hints

• Assemble all parts and bolts loosely during assembly, only once the product is complete should you fully tighten the bolts

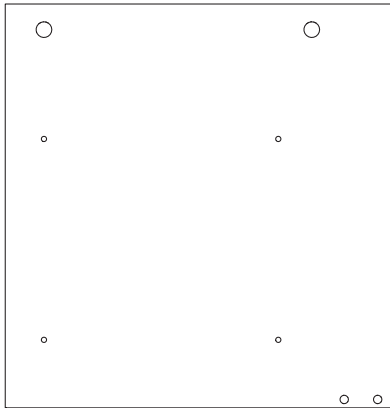
• Regularly check and ensure that all bolts and fittings are tightend properly.

Note: if required the next page can be cut out and used as reference throughout the assembly. Keep this page with these instructions for future reference.

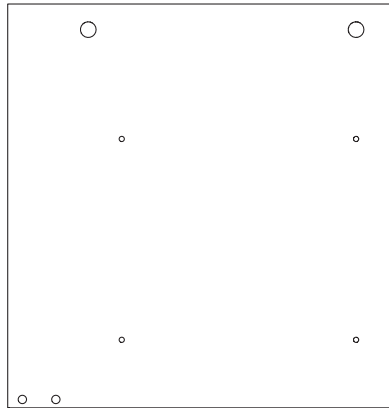
Components - Panels

For damaged or missing parts, please visit:
www.argos-support.co.uk or email: Help@ClickSpares.co.uk

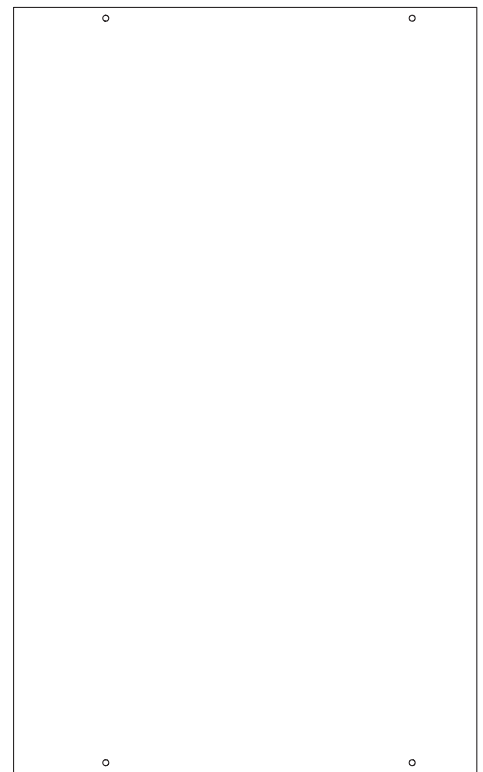
Please check you have all the panels listed below



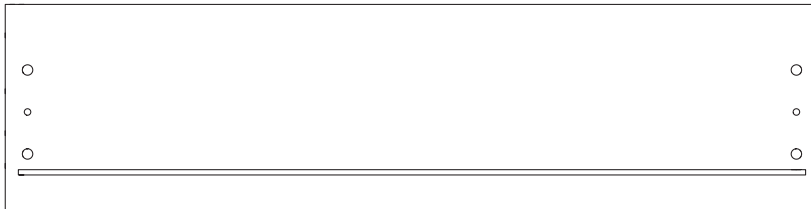
1 Left side
(38.6 x 37cm)
P2878



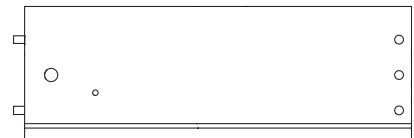
2 Right side
(38.6 x 37cm)
P2877



3 Top
(64 x 38.7cm)
P1764



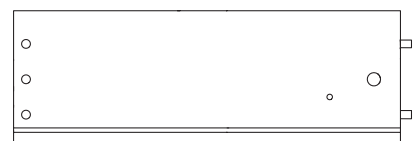
4 Drawerfront x 2
(62 x 15.7cm)
P4468



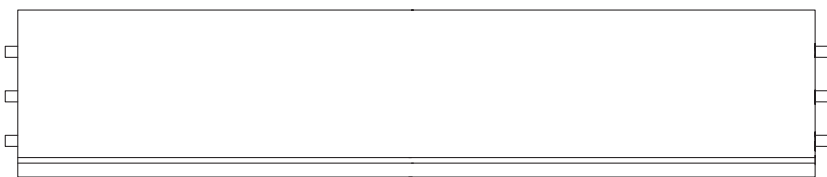
7 Left Drawer Side x 2
(35 x 12cm)
LA163709



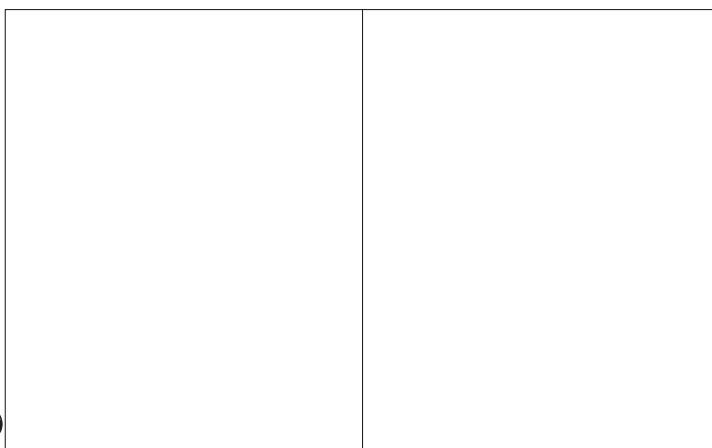
5 Plinth
(60.7 x 6cm)
P7036



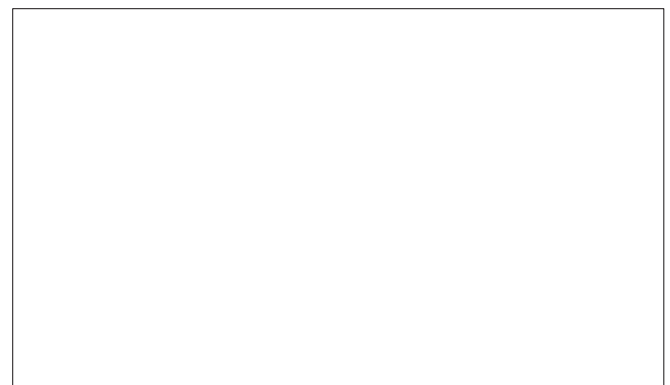
8 Right Drawer Side x 2
(35 x 12cm)
LA163809



6 Drawer Back x 2
(57.3 x 12cm)
LA163509



9 Folded Back
(61.3 x 39.3cm)
BO340933



10 Drawer Base x 2
(58.3 x 34.3cm)
BO353009




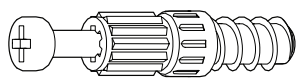


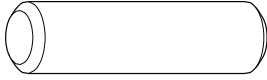
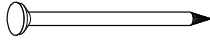

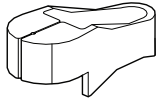

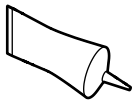


Components - Fittings

For damaged or missing parts, please visit: www.argos-support.co.uk or email: Help@ClickSpares.co.uk

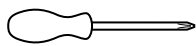
Please check you have all the fittings listed below

Note: The quantities below are the correct amount to complete the assembly. In some cases more fittings may be supplied than are required.

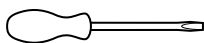
1/1

<p>A  <small>FK1012</small></p> <p>Large locking nut x 4 (15x12mm)</p>	<p>B  <small>FK1011</small></p> <p>Locking screw x 8 (5x24mm)</p>	<p>C  <small>FK1010</small></p> <p>Small locking nut x 4 (12x10mm)</p>
<p>D  <small>FK1301</small></p> <p>10mm Fixing screw drawer x 8</p>	<p>E  <small>FK1411</small></p> <p>Wood dowel x 4 (8x30mm)</p>	<p>F  <small>FK1515</small></p> <p>Nail x 30</p>
<p>G  <small>FK198</small></p> <p>9mm Screw x 4</p>	<p>H  <small>FK1415</small></p> <p>Nail holder x 1</p>	<p>I  <small>FK1250</small></p> <p>Drawerbase support x 8</p>
<p>J  <small>FA1510</small></p> <p>Glue x 1</p>	<p>K  <small>FK1233</small></p> <p>Furniture glide x 4</p>	<p>L  <small>PM16951</small></p> <p>Runner x 4</p>

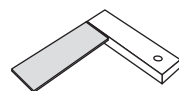
Tools required



Phillips screwdriver
(medium & large)



Flatblade screwdriver
(medium)



Setsquare



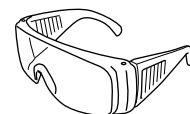
Small hammer



Ruler/tape measure

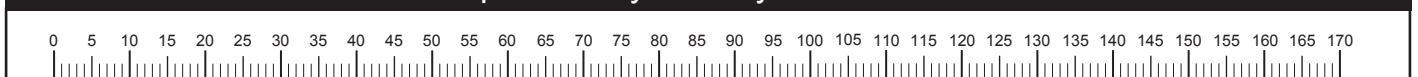


Scissors



Eye protection
(when using a hammer or drill)

Ruler - Use this ruler to help correctly identify the screws



The screws length is measured from the head to the point (30mm screw shown).

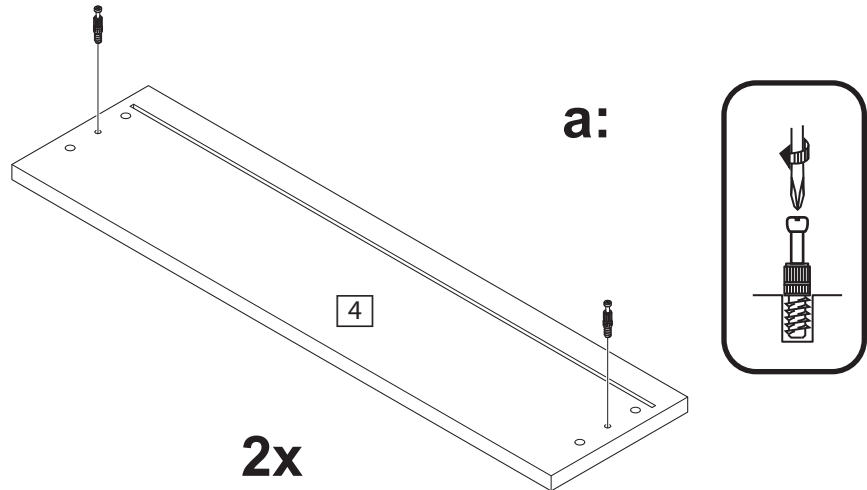
Assembly Instructions

Step 1

Prepare the locking screws

a:
Screw 2 locking screws **B** into the holes shown on the back of each drawer front **4**.

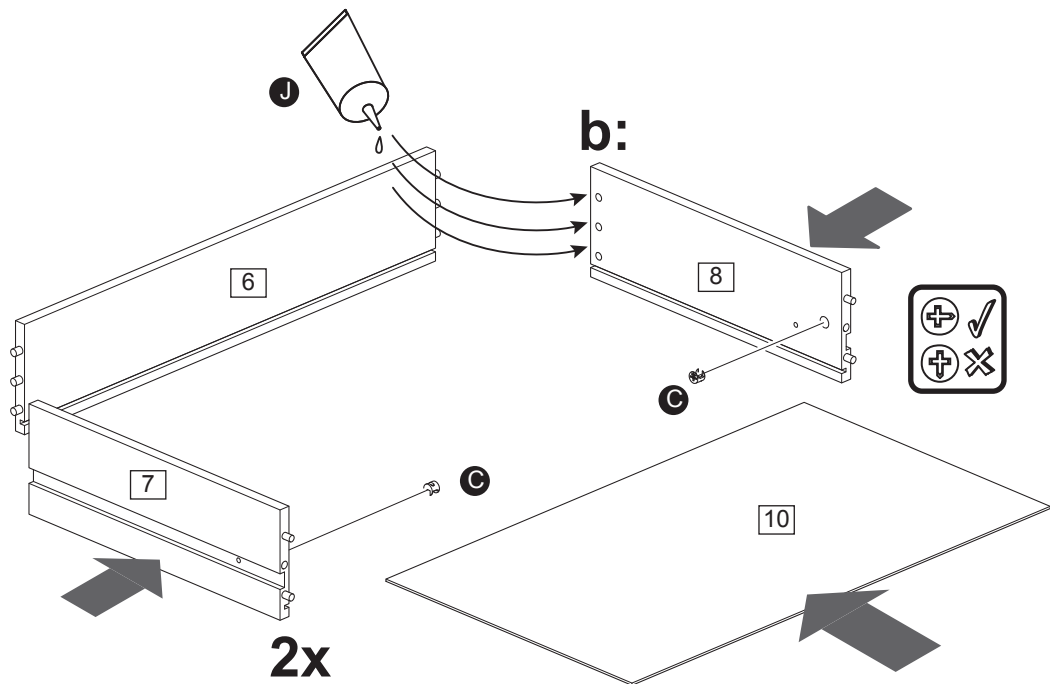
Note: Tighten metal dowels up fully against the panels.



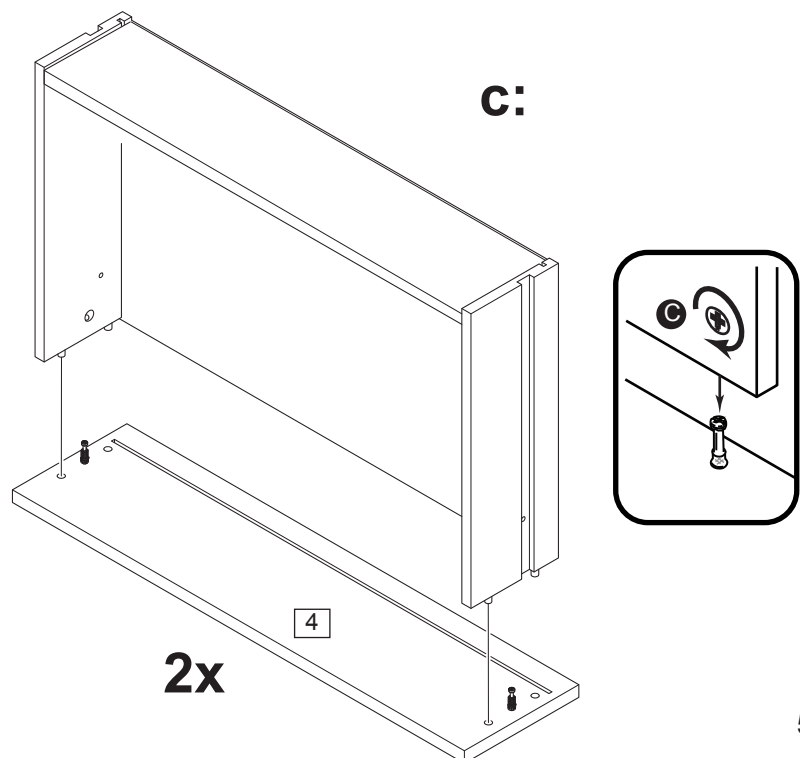
b: Prepare the drawer sides

Insert a small locking nut **C** into the hole on left drawer side **7** and right drawerside **8**. Make sure the 'arrow' on **C** is pointing towards the hole in the edge of **7** and **8**.

Put drop of glue **J** in the 6 holes of drawersides **7** and **8** before sliding them onto the dowels of drawerback **6**. Slide drawerbase **10** in the grooves of the drawer-unit.



c: Turn the drawer wrap assembly over and push onto the drawer front **4**. Use a phillips or flatblade screwdriver, that is a good fit, to turn 24mm locking nut **C** as far as it will go - more than 1/2 turn.

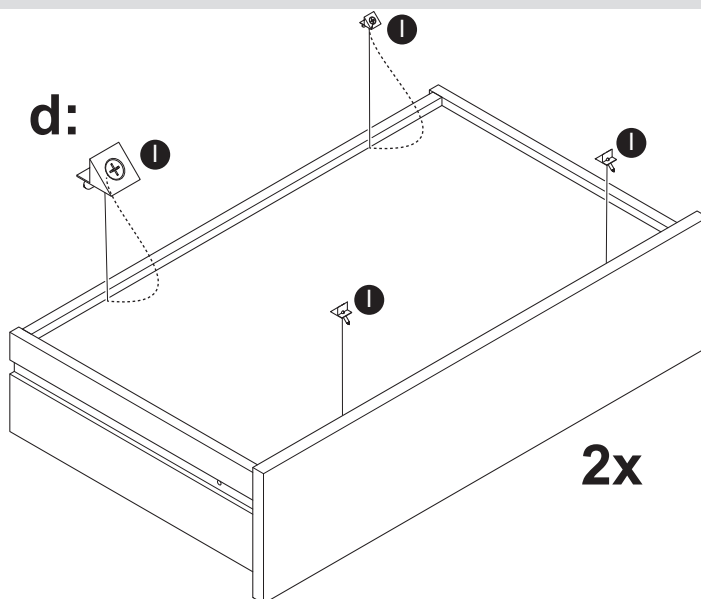


Assembly Instructions

Step 1 continued

finishing the drawers

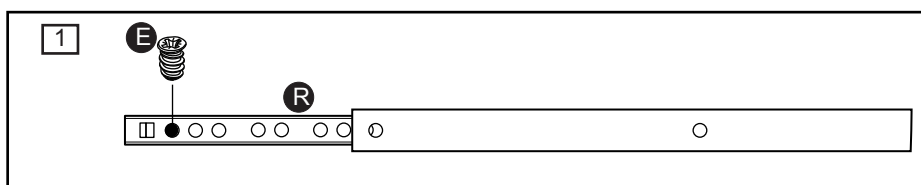
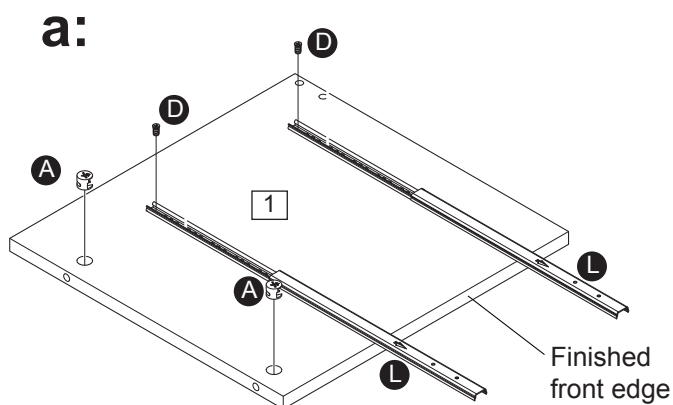
d: Turn over drawer and slide Drawerbase supports **1** in corner as shown and fix them, using the attached screws.



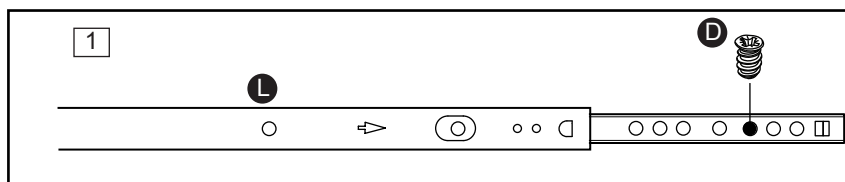
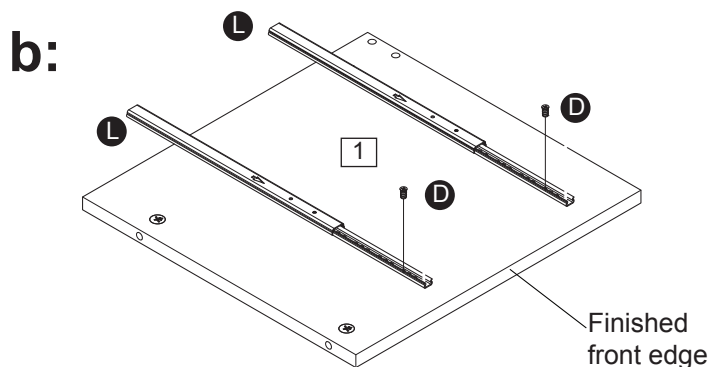
Step 2

Attaching runners

a: Slide top of runners **L** forward and fix on left side **1** as shown using 10mm fixing screw drawer **D**. Insert 2 Large locking nuts **A** into left side **1** where shown.



b: Slide top of runners back. Fix through 3rd hole of runner **L** and pre-drilled hole of left side **1** using 10mm fixing screw drawer **D**.



Repeat a and b on right sidepanel **2**

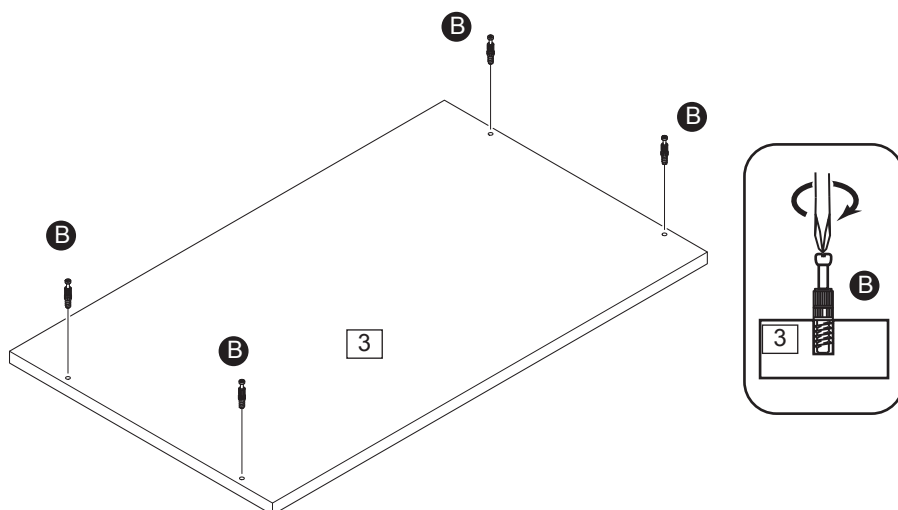
Assembly Instructions

Step 3

Insert fittings on top

Screw 24mm locking screws **B** into top **3**.

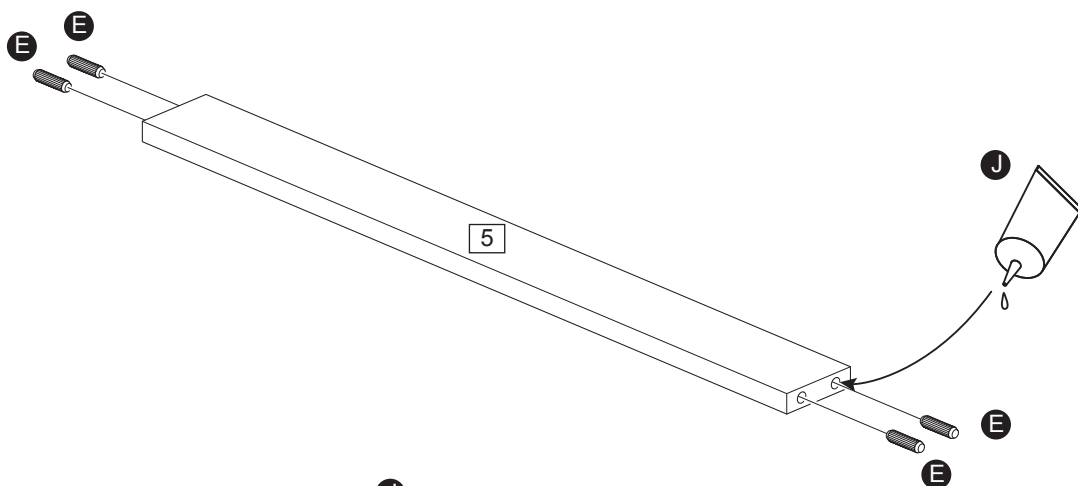
Note: Insert 24mm locking screw **B** as far as shown. **Do not over tighten.**



Step 4

Insert fittings on plinth

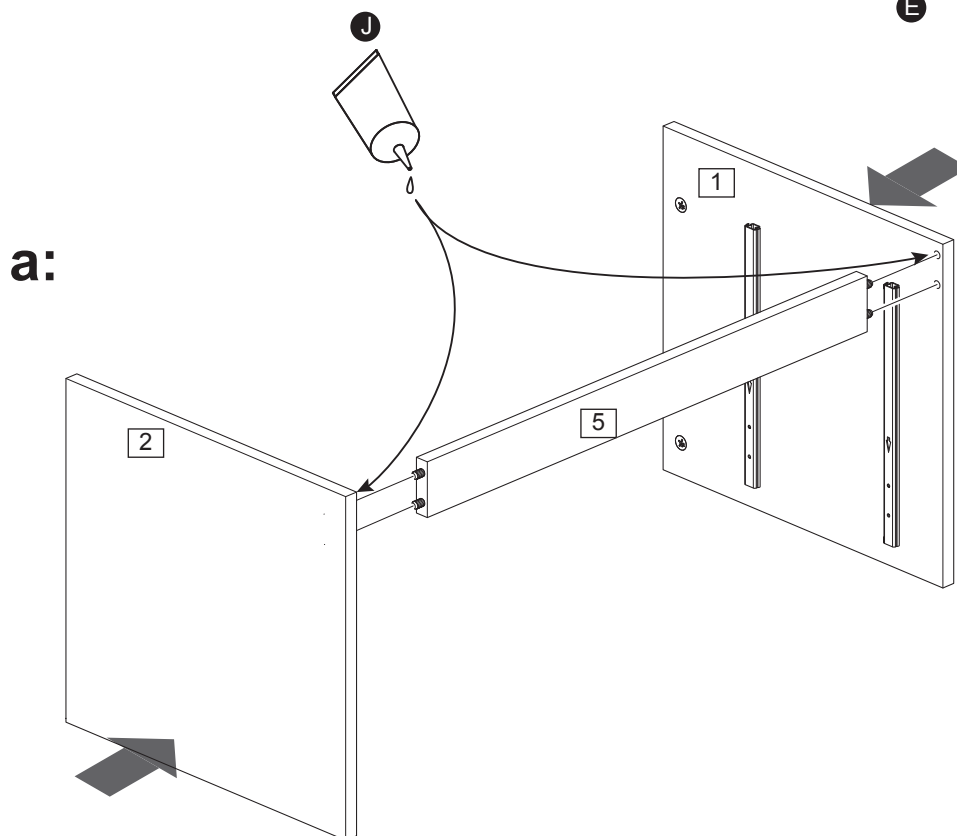
Put drop of glue **J** in the 4 holes of plinth **5**.
Then put dowels **E** into the holes of plinth **5**.



Step 5

Assemble the chest

a: Put drop of glue **J** into side-holes **1** and **2**.
Slide the sides onto the plinth **5**.



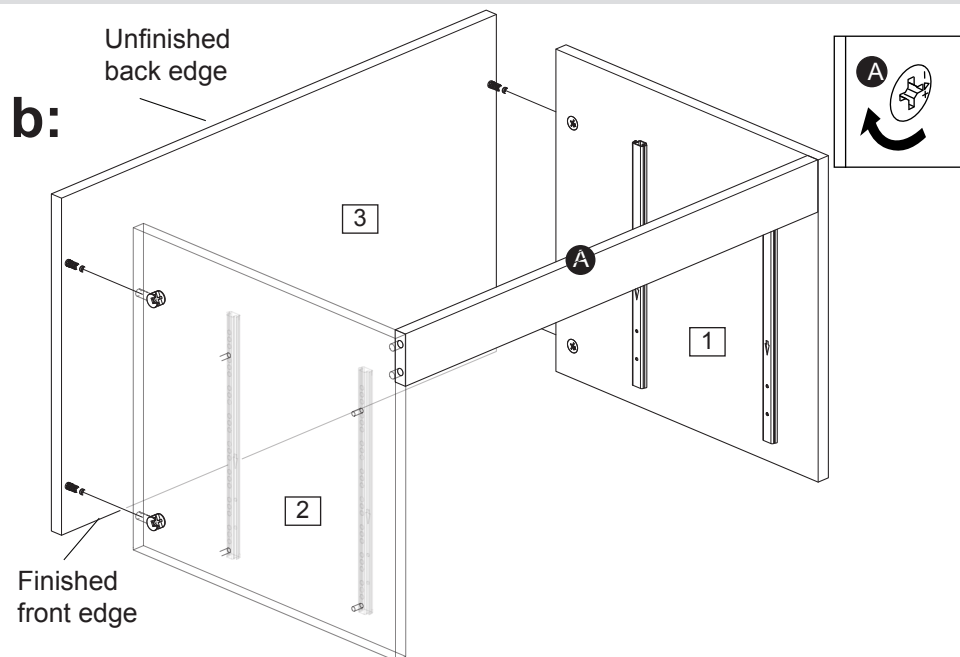
Assembly Instructions

Step 5 continued

b: Attaching top

Position top **3** onto left **1** and right **2** side .

Use a screwdriver to turn locking nuts **A** clockwise to lock.



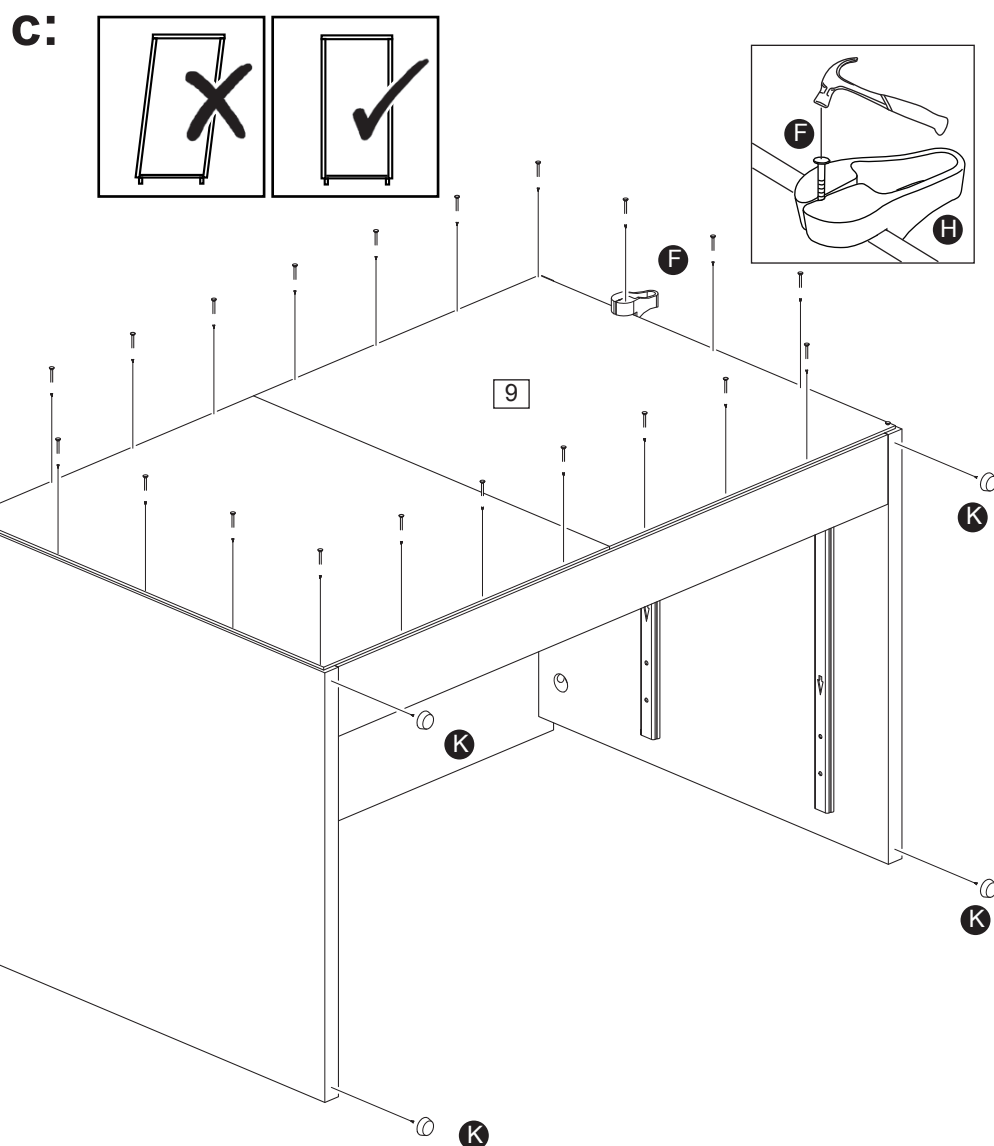
c: Fitting back panel

Attach foldy back **9** to back of the chest using nails **F** and hammer.

Use nailholder **H** to hold nails **F** vertical and at the correct distance as you secure the foldy back **9**.

Nails **F** should be spaced about 150mm apart.

Place the Furniture glides **K** strategically as shown underneath the sides **1** and **2** with a small hammer.



Important:
Chest MUST
be 'square'
when back is
attached.

Assembly Instructions

Step 6

Inserting drawers

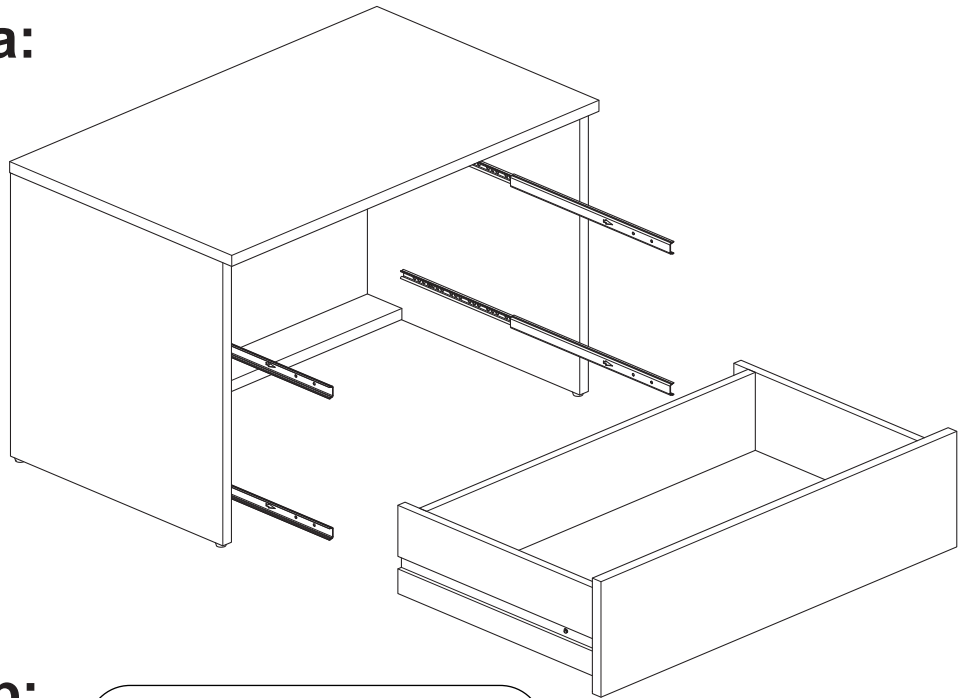
a: Pull runners **L** out. Slide drawers onto runners so they butt up against back of the drawerfront **4**.

b: Fix through drawersides **7** and **8** into runners **L** using 9mm screws **G**.

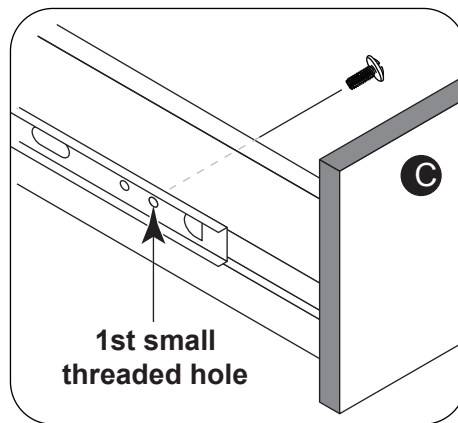
c: Finish.

Assembly is complete.

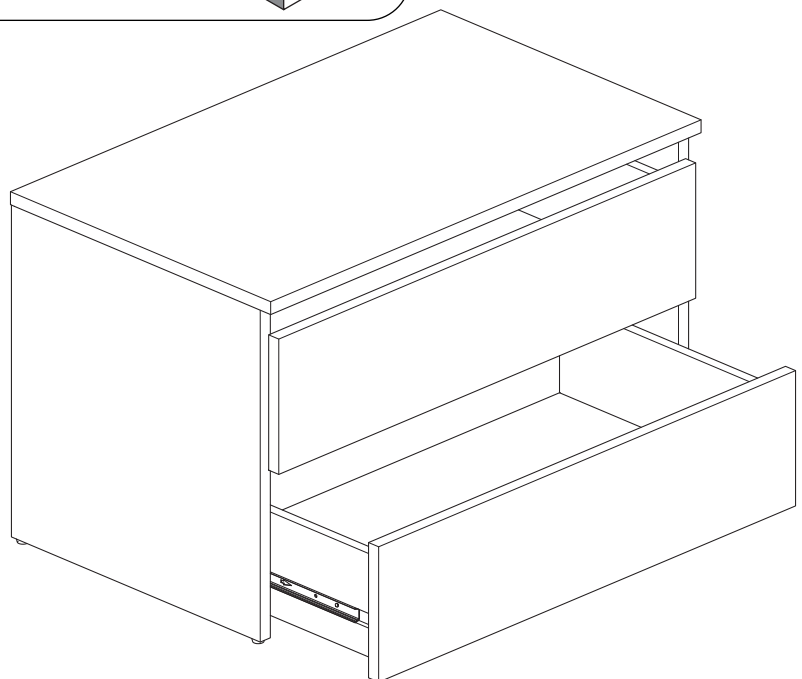
a:



b:



c:



If you need help or have damaged or missing parts, call the **Customer Helpline:**
Argos 03456 400 800