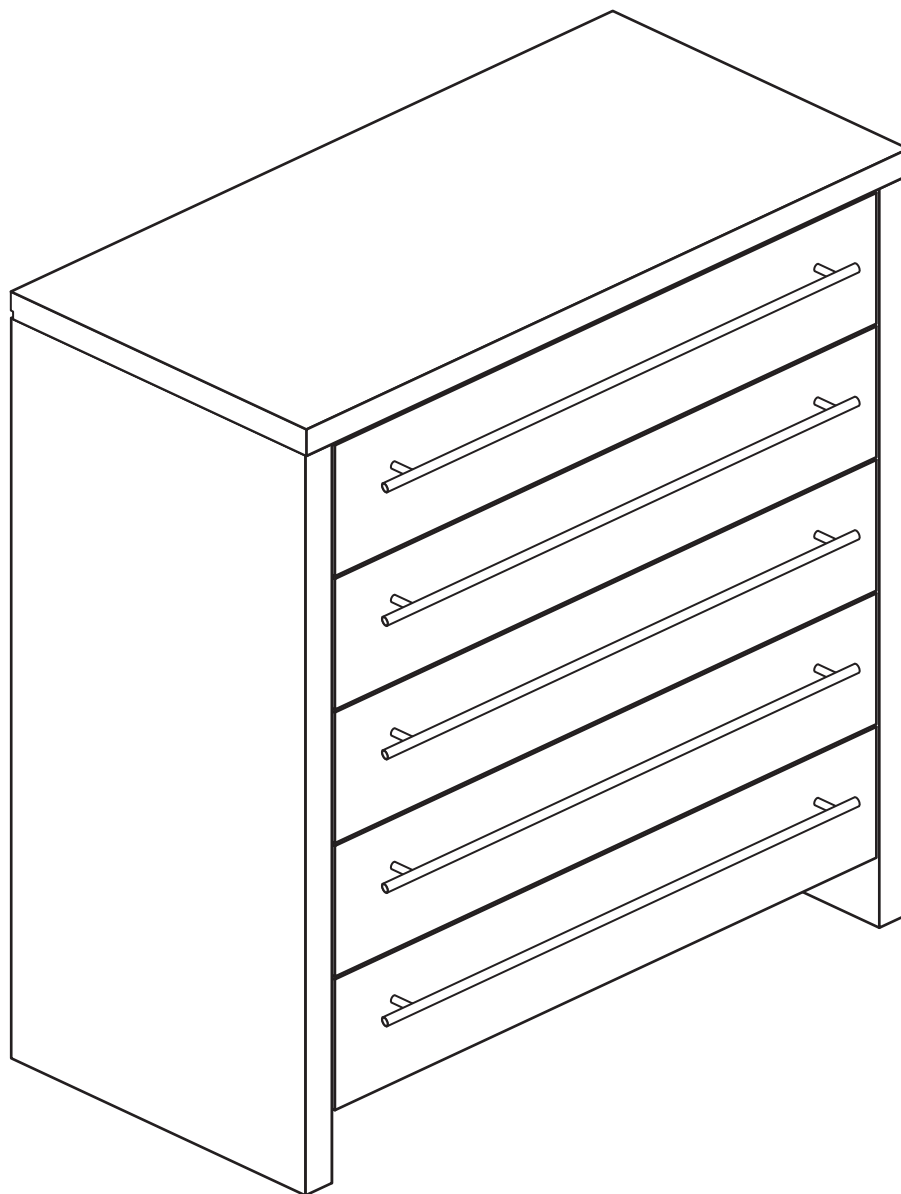


# Camden - 5 Drawer Chest

Assembly Instructions - Please keep for future reference

259/4947

249/7893



## Dimensions

Width - 80cm

Depth - 39cm

Height - 101.5cm



**MADE IN  
BRITAIN**

**Important** - Please read these instructions fully before starting assembly

If you need help or have damaged or missing parts, call the **Customer Helpline: 08456 400800**



# Safety and Care Advice

**Important - Please read these instructions fully before starting assembly**

- **Warning:** This unit weighs approximately 34kgs. Please lift with care.

- Check you have all the components and tools listed on pages 1, 2 and 3.

- Remove all fittings from the plastic bags and separate them into their groups.

- Keep children and animals away from the work area, small parts could choke if swallowed.

- Make sure you have enough space to layout the parts before starting.

- Do not stand or put weight on the product, this could cause damage.

- Assemble the item as close to its final position (in the same room) as possible.

- Assemble on a soft level surface to avoid damaging the unit or your floor (use opened out unit carton).



- We do not recommend the use of power drill/drivers **for inserting screws**, as this could damage the unit. Only use hand screwdrivers.

- **Safety note:** If there is any chance of this unit being pulled over by children etc. it is recommended that the unit is secured to a wall using suitable fixings (not supplied).

- Dispose of all packaging carefully and responsibly.

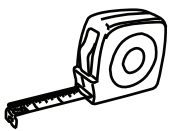
## Care and maintenance

- Only clean using a damp cloth and mild detergent, do not use bleach or abrasive cleaners.

- From time to time check that there are no loose screws on this unit.

- This product should not be discarded with household waste. Take to your local authority waste disposal centre.

## Tools required



Rule



Cross-head screwdriver



Scissors



Hammer



Eye protection (when using a hammer or drill)



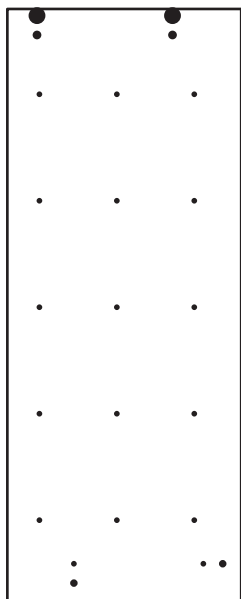
Electric drill (only use when drilling into walls)

**Note:** If required the next page can be cut out and used as reference throughout the assembly. Keep this page with these instructions for future reference.

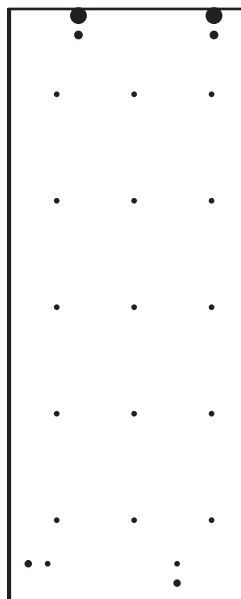
# Components - Panels

If you have damaged or missing components, call the **Customer Helpline: 08456 400800** quoting the reference numbers below

Please check you have all the panels listed below



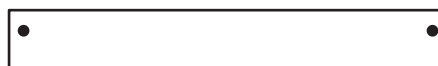
**1** Left Side (D1992A)  
(979 x 389mm)



**2** Right Side (D1993A)  
(979 x 389mm)



**3** Top (D1991A)  
(796 x 391mm)



**4** Plinth (D1994A)  
(722 x 96mm) x 2



**5** Drawer Front (D1995A)  
(716 x 173mm) x 5



**6** Drawer Base (T683-347)  
(683 x 347mm) x 5



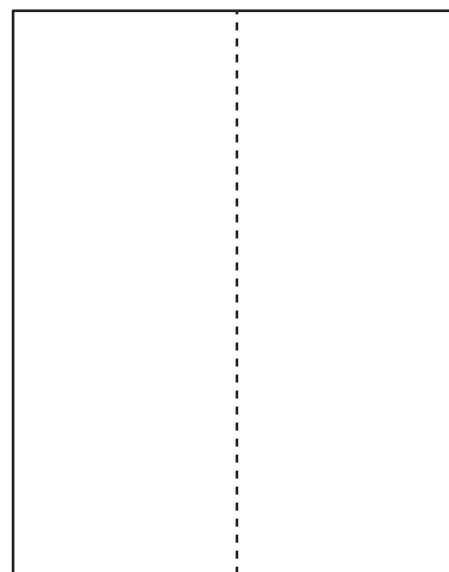
**7** Left Drawer Side (W350-124LH)  
(350 x 124mm) x 5



**8** Right Drawer Side (W350-124RH)  
(350 x 124mm) x 5



**9** Drawer Back (W672-124)  
(672 x 124mm) x 5



**10** Back (X943)  
(932 x 740mm)


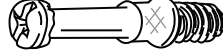
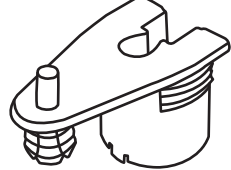
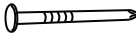




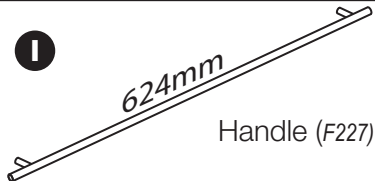




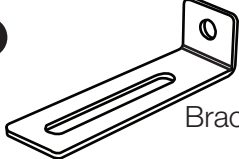



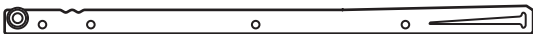



# Components - Fittings

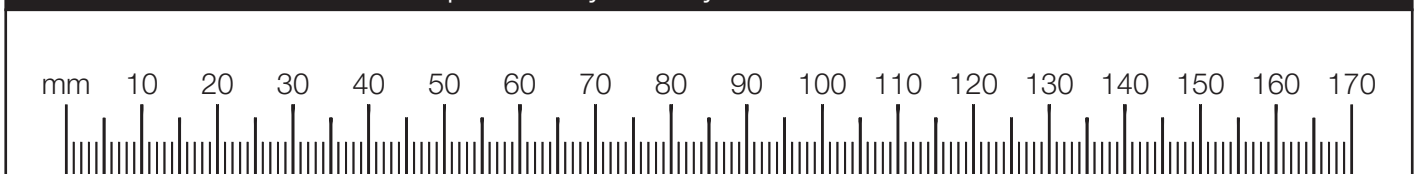
If you have damaged or missing components, call the **Customer Helpline: 08456 400800** quoting the reference numbers below

Please check you have all the fittings listed below

**Note:** The quantities below are the correct amount to complete the assembly. In some cases more fittings may be supplied than are required.

<p><b>A</b> </p> <p>Wooden dowel (F22) x 4</p>	<p><b>B</b> </p> <p>Metal dowel (F901) x 14</p>	<p><b>C</b> </p> <p>Hollow core locking nut (F892) x 4</p>
<p><b>D</b> </p> <p>Nail (F51) x 23</p>	<p><b>E</b> </p> <p>Large locking nut (F900) x 4</p>	<p><b>F</b> </p> <p>Small locking nut (F3) x 10</p>
<p><b>G</b> </p> <p>Small metal dowel (F893) x 4</p>	<p><b>H</b> </p> <p>19mm Screw (F461) x 10</p>	<p><b>I</b> </p> <p>624mm Handle (F227) x 5</p>
<p><b>J</b> </p> <p>13mm Screw (F63) x 30</p>	<p><b>K</b> </p> <p>13mm Screw (F52) x 30</p>	<p><b>L</b> </p> <p>Knock-in Peg (F171) x 20</p>
<p><b>M</b> </p> <p>13mm Screw (F79) x 1</p>	<p><b>N</b> </p> <p>Bracket (F327) x 1</p>	<p><b>O</b> </p> <p>Wedgefix (F639) x 20</p>
<p><b>Pa</b>  L Runner (F159) x 5</p> <p><b>Pb</b>  R Runner (F160) x 5</p> <p><b>Pc</b>  L Runner (F161) x 5</p> <p><b>Pd</b>  R Runner (F162) x 5</p>		

Ruler - Use this ruler to help correctly identify the screws



# Assembly Instructions

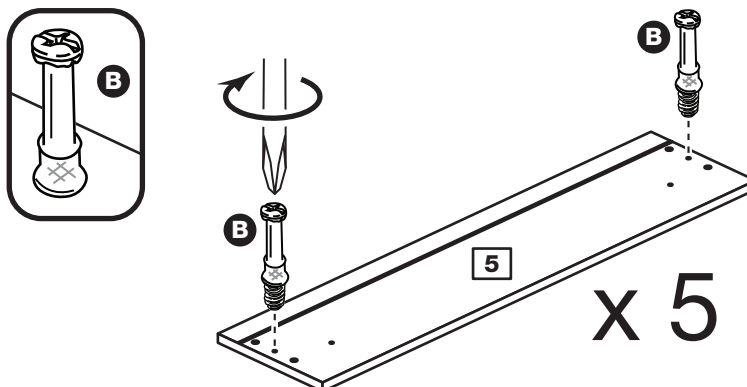
If you have damaged or missing components, call the  
**Customer Helpline: 08456 400800** quoting the reference  
numbers below

## Step 1

### Prepare the 5 drawer fronts

Screw 2 metal dowels **B** into the holes shown on the back of each drawer front **5**.

**Note:** Tighten metal dowels up fully against the panels.



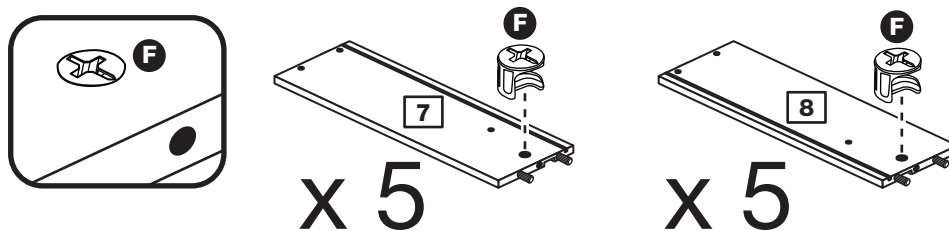
## Step 2

### Prepare drawer sides and drawer backs

Insert a small locking nut **F** into the hole shown on the left drawer side **7** and right drawer side **8**.

**Note:** The arrow on the locking nut **must** point towards the hole in the edge of the panel.

**Note:** Due to the manufacturing process, the holes for the locking nut can be on either surface of the drawer sides.



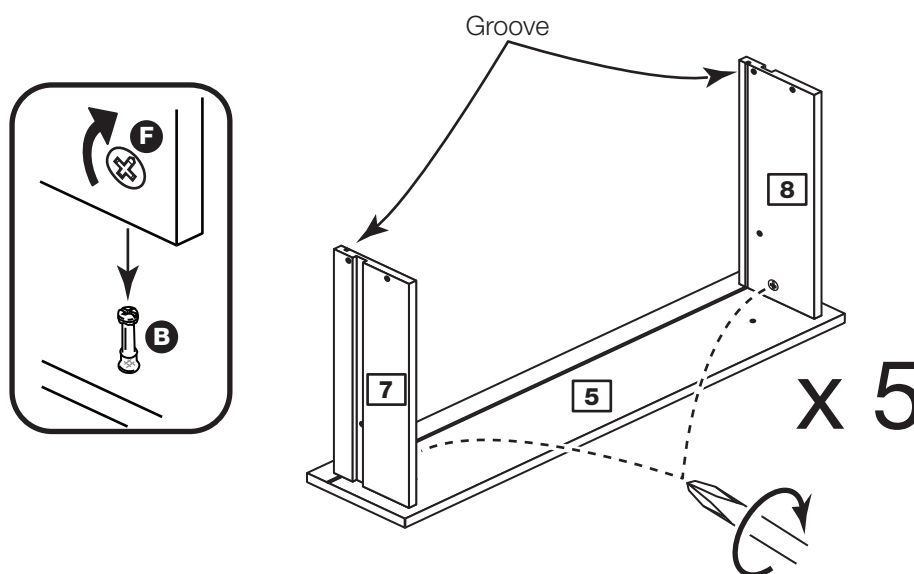
## Step 3

### Attach the drawer sides to the drawer front

Push the left drawer side **7** and right drawer side **8** onto the back of the drawer front **5**.

Turn the small locking nuts **F** on the left drawer side **7** and right drawer side **8**.

**Note:** Turn the locking nuts **F** clockwise to secure panels - more than 1/2 a turn.



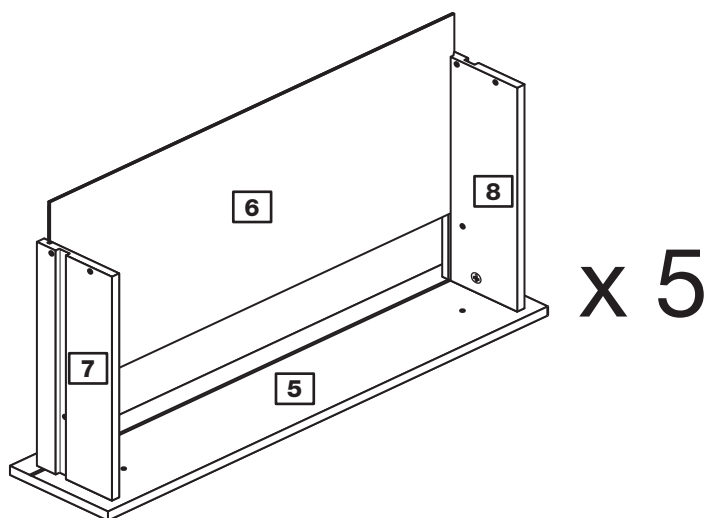
**Note:** The locking nuts can be on either surface of the drawer sides. Make sure that the small groove is on the inside, as shown.

# Assembly Instructions

## Step 4

### Fit the drawer base

Slide the drawer base **6** down the grooves in the drawer sides **7** and **8** and down into the groove in the drawer front **5**.



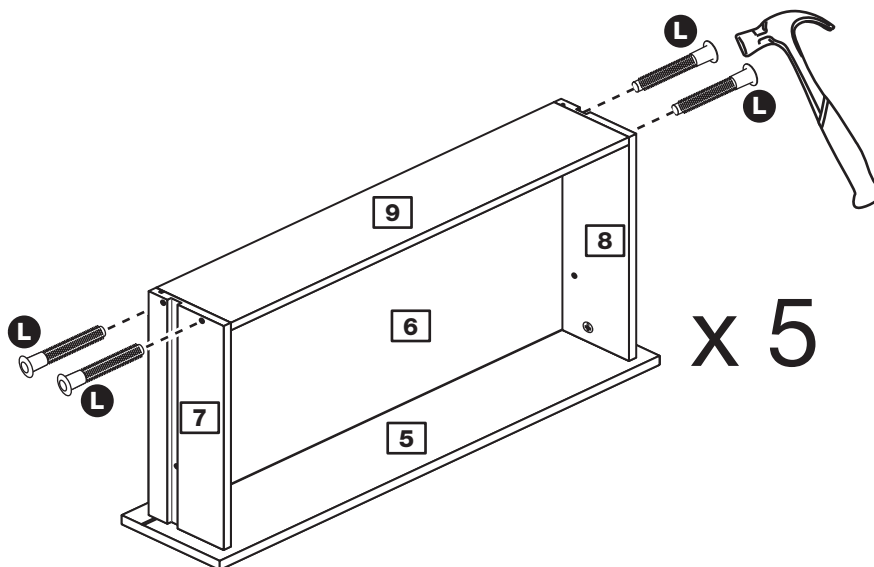
## Step 5

### Fit the drawer back

Fit the drawer back **9** between the drawer sides **7** and **8**.

Make sure that the drawer base **6** fits into the groove in the drawer back **9**.

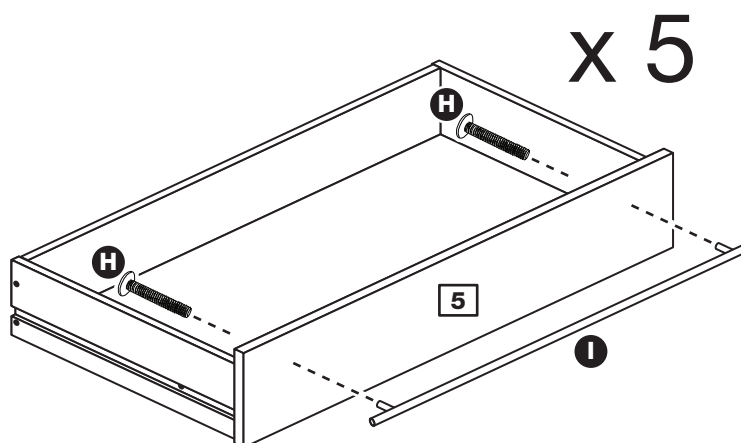
Hold the drawer back **9** in position and tap the knock-in pegs **L** through the holes in the drawer sides **7** and **8**.



## Step 6

### Attach the handles


Attach a handle **I** to each drawer front **5** using 2 screws **H**.








# Assembly Instructions

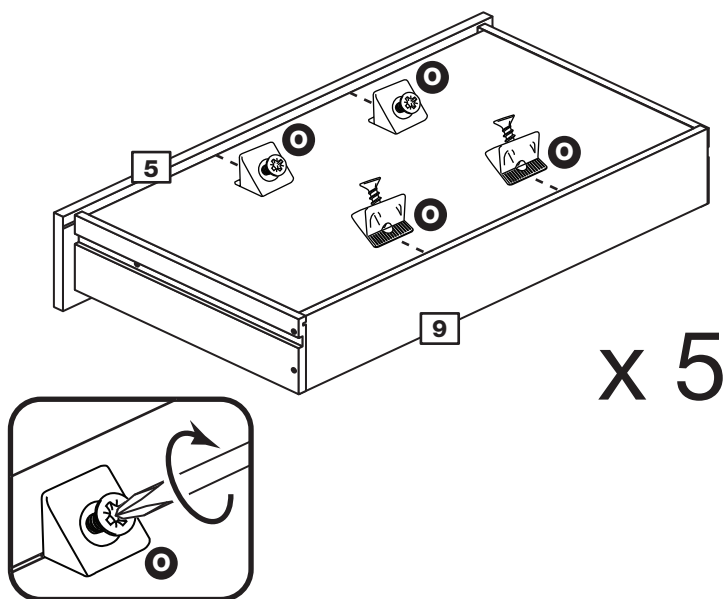
## Step 7

### Fit the wedgexes

Turn the drawer assemblies over and fit 4 wedgexes .


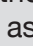
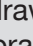

Slide 2 wedgexes  into the small groove located on the back of the drawer front  and 2 wedgexes  into the small groove in the drawer back .


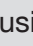
Once in place, tighten up the screws in the wedgexes .

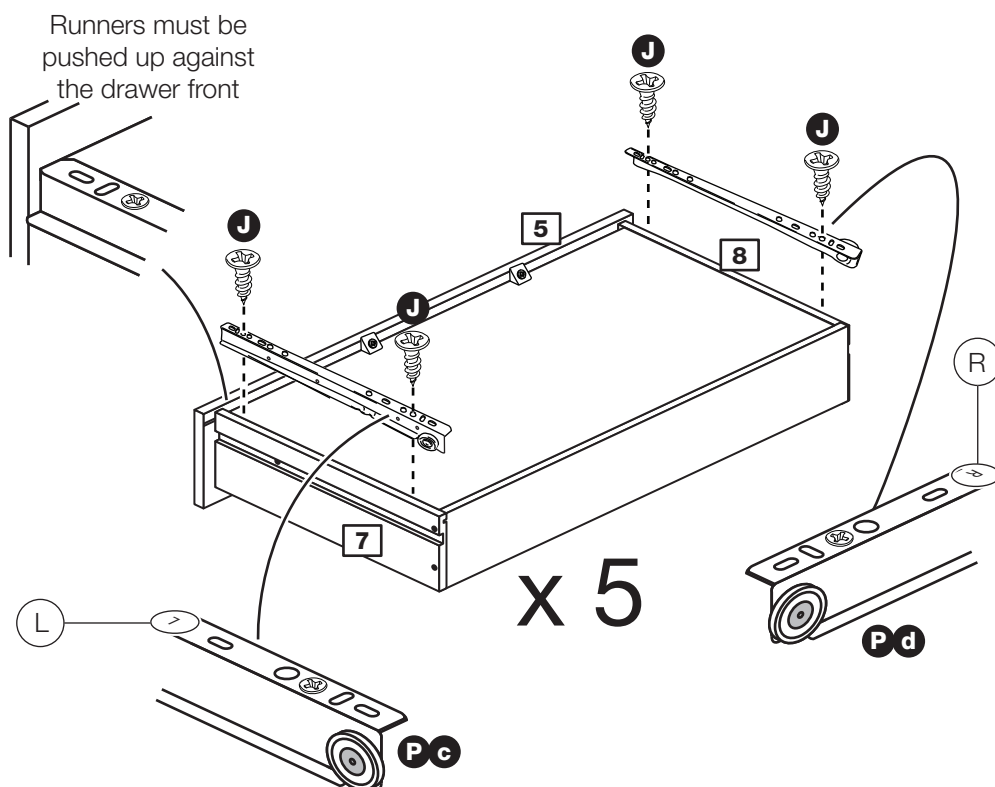


## Step 8

### Fit runners to the drawers

Fit the runner  to the bottom edge of the left drawer side , as shown, making sure that it is pushed up against the back of the drawer front . Use a bradawl to mark the fixing positions, then secure with 2 screws .

Fit the runner  to the bottom edge of the right drawer side  using the same method.



# Assembly Instructions

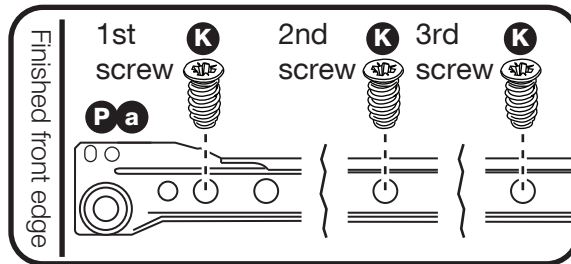
## Step 9

### Prepare the left side

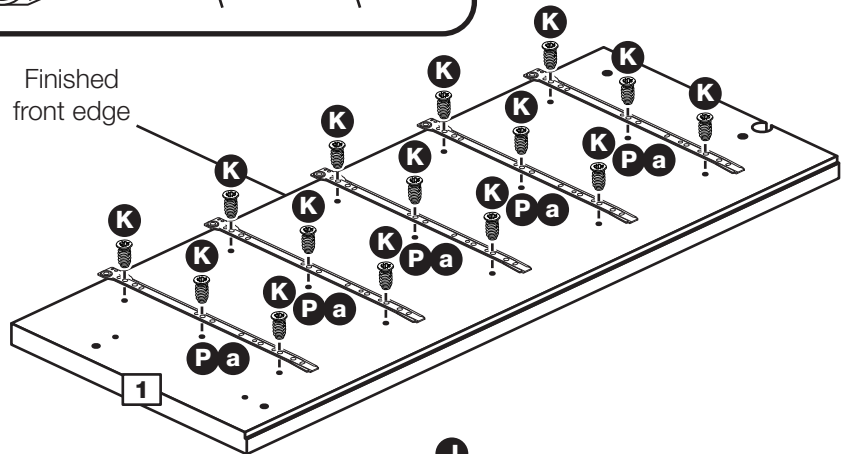
**a:** Fit the 5 runners **Pa** to the left side **1**.

The 1st screw **K** uses the 2nd hole in from the front of the runner **Pa**.

The 2nd and 3rd screw **K** use the holes that line up with the other panel holes.

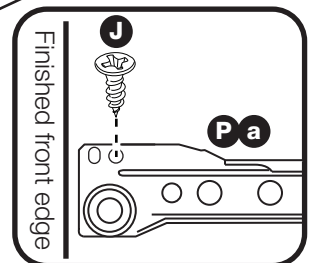
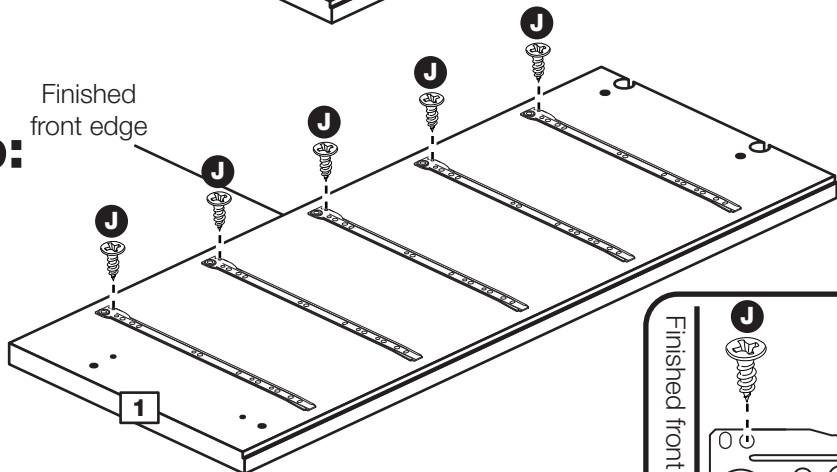


**a:**



**b:** Fit a screw **J** into the 2nd hole in at the top of the runners **Pa**.

**b:**



**c:** Push 2 hollow core locking nuts **C** into the left side **1**, making sure that they are flush against the panel's surface.

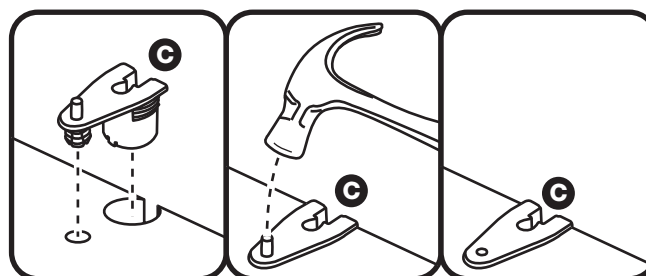
Using a hammer, tap in the pin on the hollow core locking nut **C**.

**Note:** The pin should be tapped in flush with the top surface of the hollow core locking nut **C**.

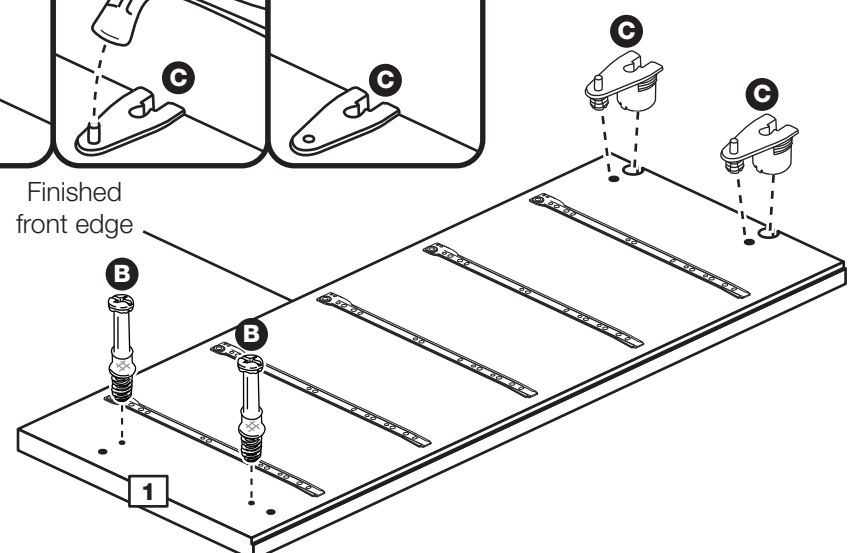
Screw 2 metal dowels **B** into the holes on the left side **1**.

**Note:** Tighten metal dowels up fully against

**c:**



Finished front edge





# Assembly Instructions

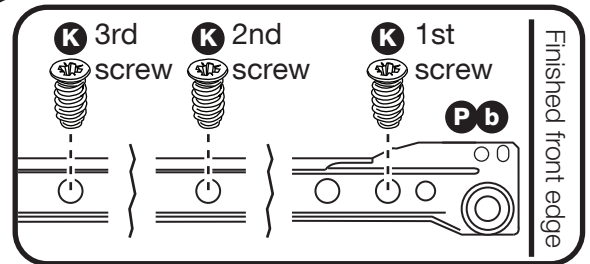
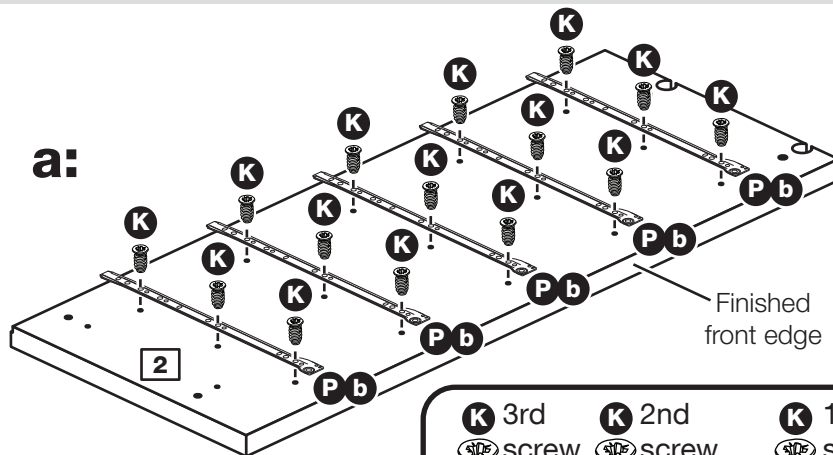
## Step 10

### Prepare the right side

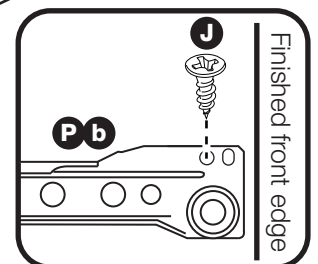
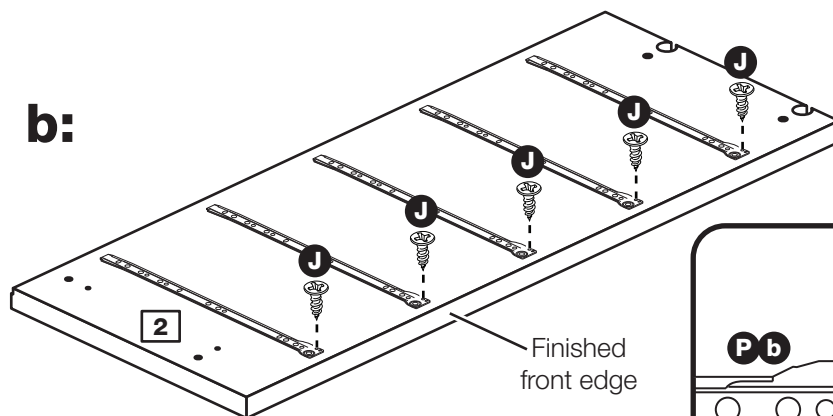
**a:** Fit the 5 runners **Pb** to the right side **2**.

The 1st screw **K** uses the 2nd hole in from the front of the runner **Pb**.

The 2nd and 3rd screw **K** use the holes that line up with the other panel holes.



**b:** Fit a screw **J** into the 2nd hole at the top of the runners **Pb**.



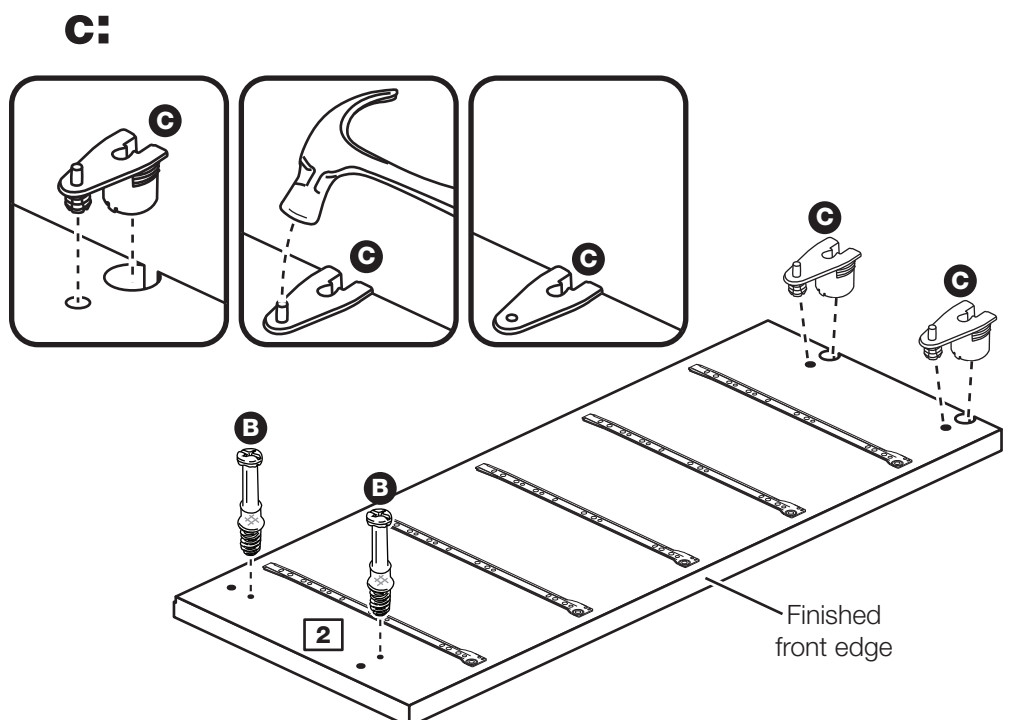
**c:** Push 2 hollow core locking nuts **C** into the right side **2**, making sure that they are flush against the panel's surface.

Using a hammer, tap in the pin on the hollow core locking nut **C**.

**Note:** The pin should be tapped in flush with the top surface of the hollow core locking nut **C**.

Screw 2 metal dowels **B** into the holes on the right side **2**.

**Note:** Tighten metal dowels up fully against the panel.



# Assembly Instructions

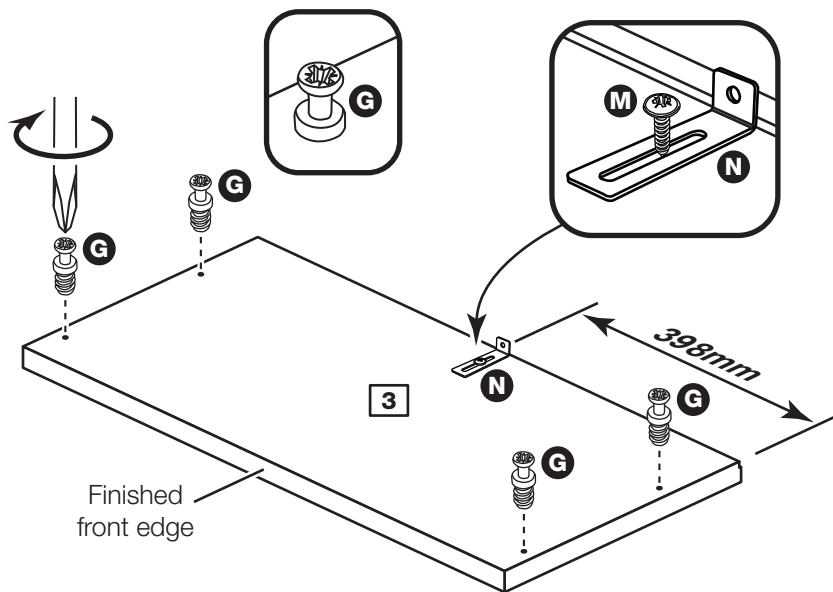
## Step 11

### Prepare the top

Screw 4 small metal dowels **G** into the holes on the top **3**.

**Note:** Tighten metal dowels up fully against the panels.

Fix the bracket **N** flush to the front edge of the groove in the top **3**, 398mm in from the side, using screw **M**.



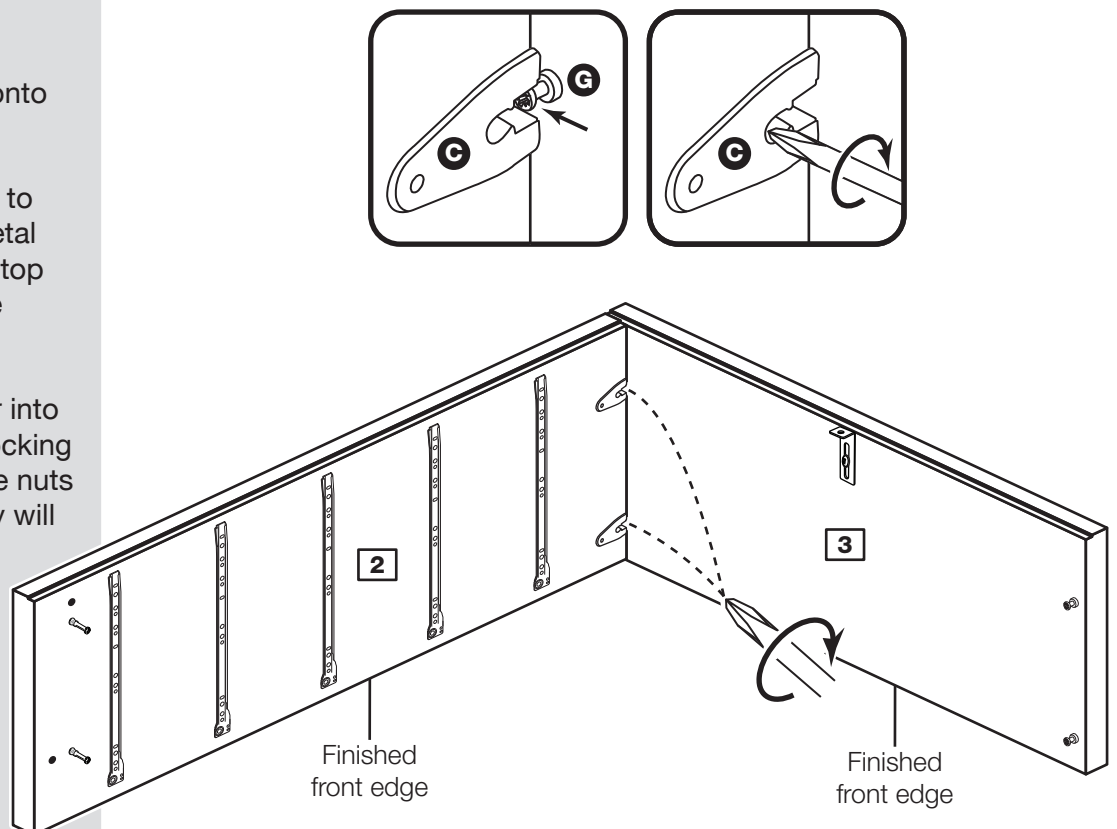
## Step 12

### Fit the top

Attach the top **3** onto the right side **2**.

**Note:** You will need to slide the 2 small metal dowels **G** into the top of the 2 hollow core locking nuts **C**.

Insert a screwdriver into the 2 hollow core locking nuts **C** and turn the nuts inside as far as they will go.



# Assembly Instructions

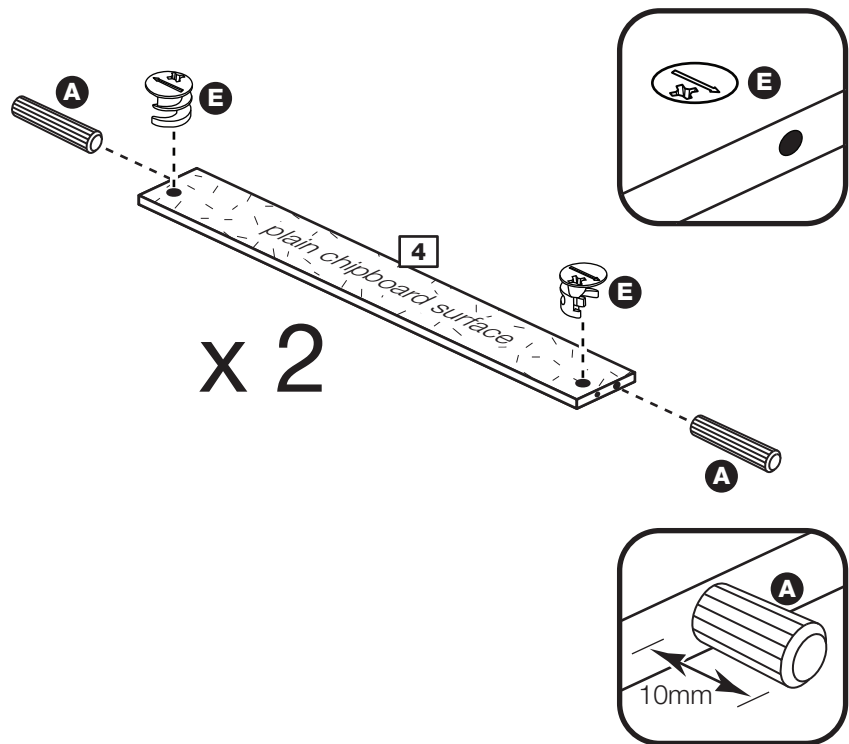
## Step 13

### Prepare the plinths

Tap 2 wooden dowels **A** into the ends of the 2 plinths **4**.

Insert 2 large locking nuts **E** into each plinth **4**.

**Note:** The arrow on the locking nut **must** point towards the hole in the edge of the panel.



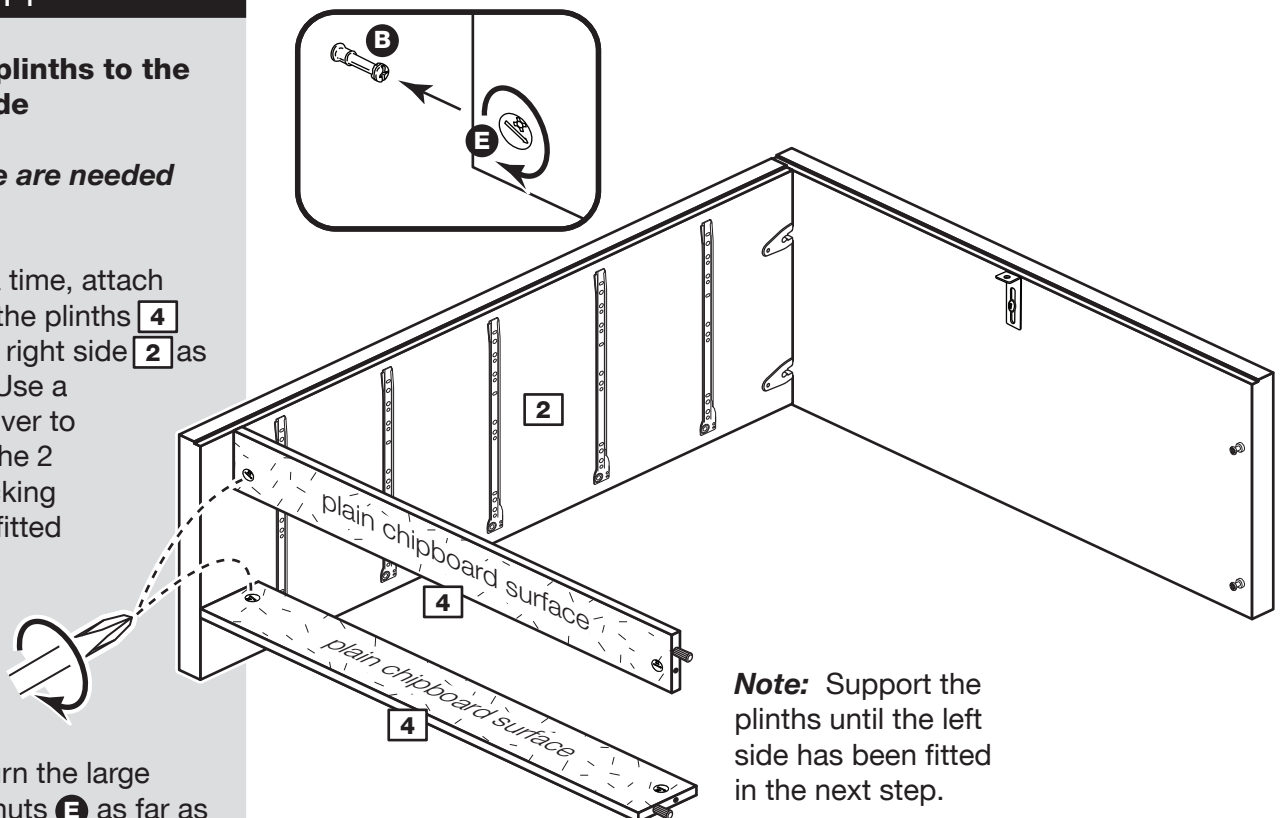
## Step 14

### Fit the plinths to the right side

**2 people are needed here**

One at a time, attach each of the plinths **4** onto the right side **2** as shown. Use a screwdriver to tighten the 2 large locking nuts **E** fitted to the 2 plinths.

**Note:** Turn the large locking nuts **E** as far as they will go - more than 1/2 a turn.



**Note:** Support the plinths until the left side has been fitted in the next step.

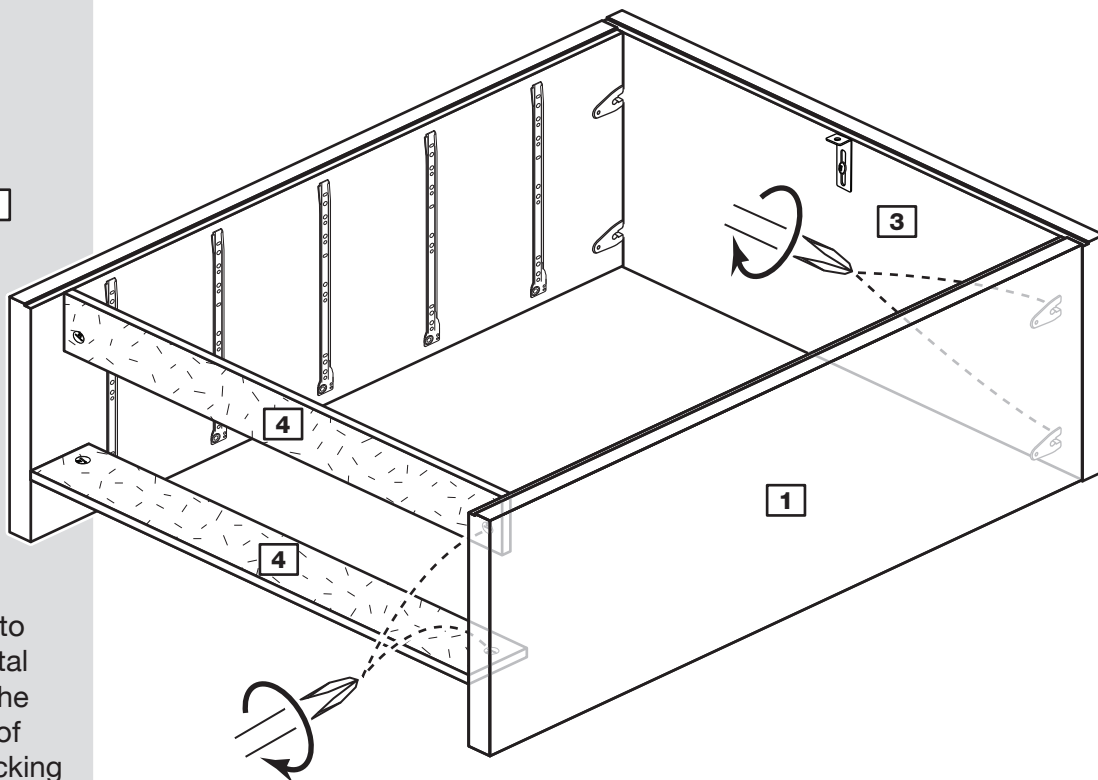
# Assembly Instructions

## Step 15

### Fit the left side

**2 people are needed here**

Push the left side **1** onto the assembly.



**Note:** You will need to slide the 2 small metal dowels **G** fitted to the top **3** into the top of the 2 hollow core locking nuts **C**.

Insert a screwdriver into the 2 hollow core locking nuts **C** and turn the nuts inside as far as they will go.

Use a screwdriver to tighten the 2 large locking nuts **E** fitted to the 2 plinths **4**.

**Note:** Turn the large locking nuts **E** as far as they will go - more than 1/2 a turn.

# Assembly Instructions

## Step 16

### Fit the back

**a:** Square up the unit by making sure that measurement **x to x** equals **y to y**.

**b:** Place the back **10** onto the unit.

Nail **D** around the outside edges of the back **10**.

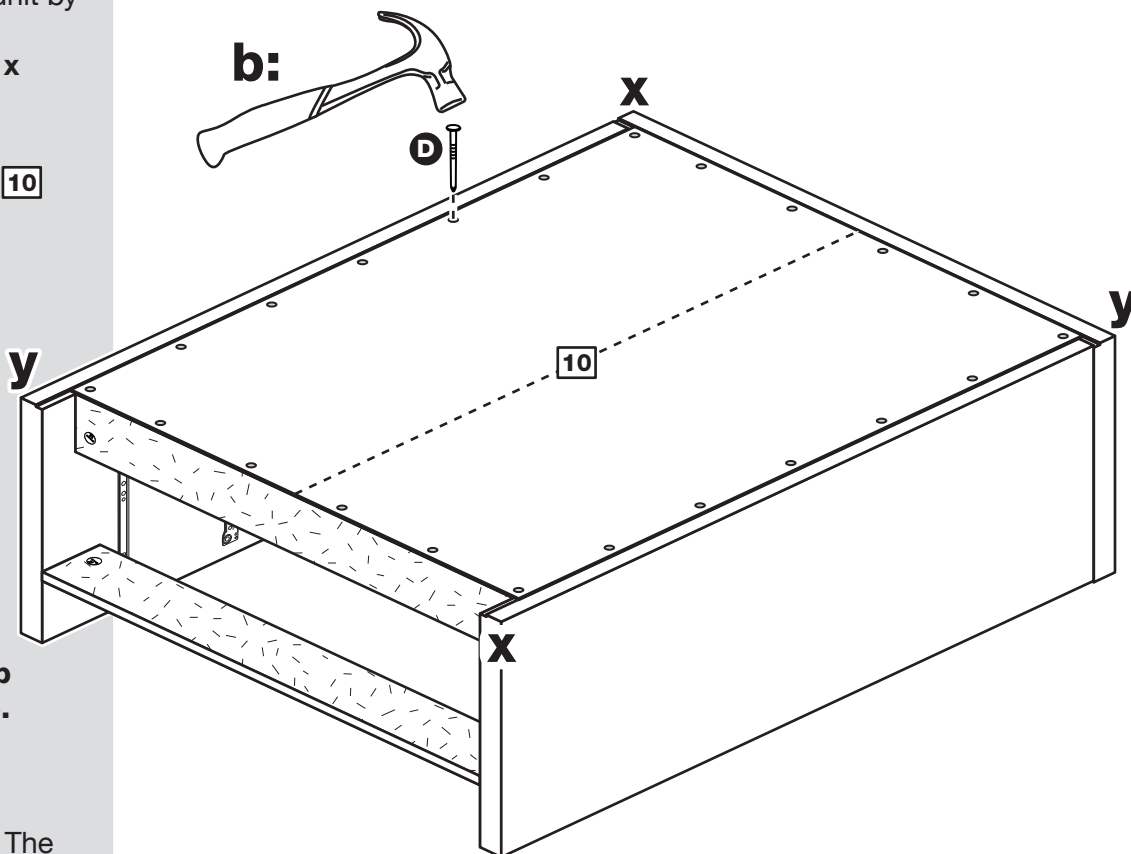
**Note:** Nails should be spaced about 150mm apart.

**Stand the unit up for the next step.**



**Warning:** The unit is heavy. Lift with care.

**a:** The measurement from top corner X to bottom corner X must be equal to the measurement from top corner Y to bottom corner Y



# Assembly Instructions

## Step 17

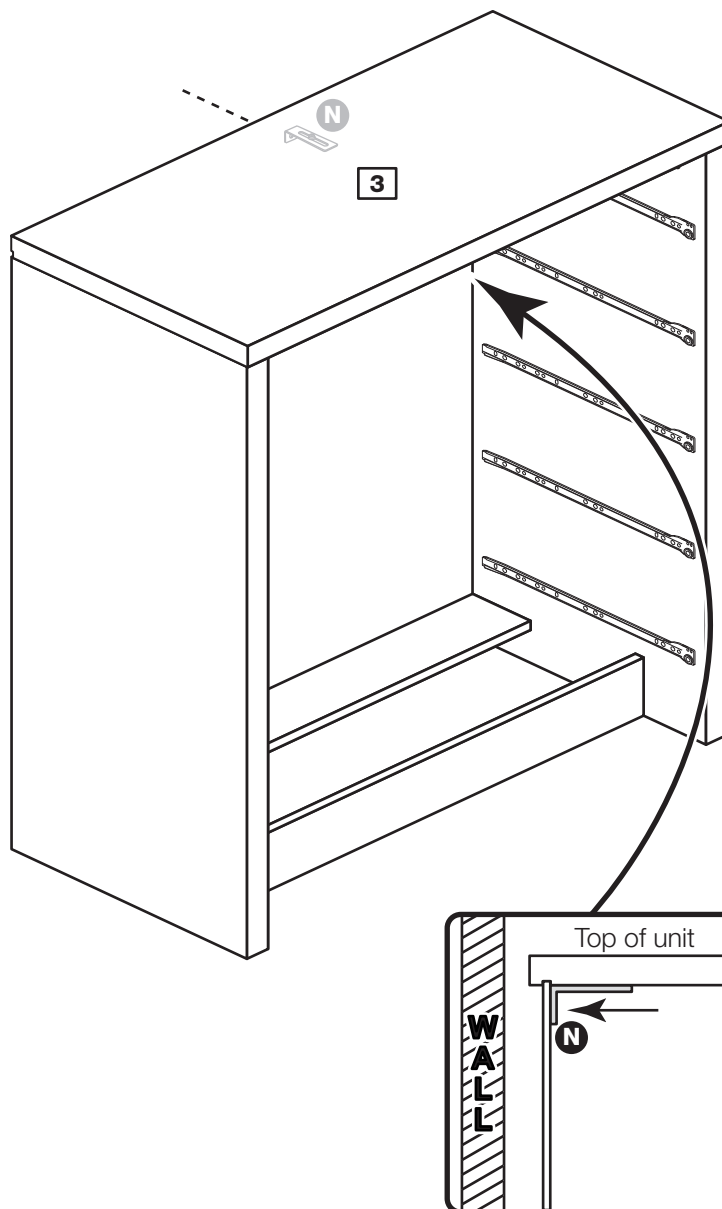
### Secure unit to a wall

To prevent possible overbalancing we recommend that this unit is secured to a suitable wall by use of the metal bracket **N** fitted to the top of the unit **3**.

Fixings are not supplied as they will need to suit the wall type, and the length of screw will depend on the distance of the back of the Unit to the wall.



**Warning:** Take care when drilling the wall that you do not drill into any pipes, wires etc. If in doubt, consult an expert.



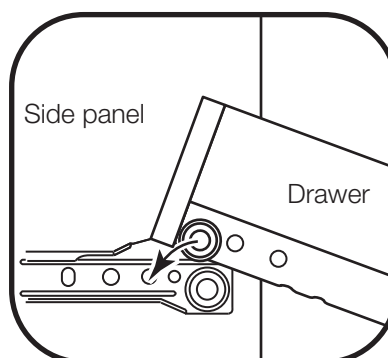
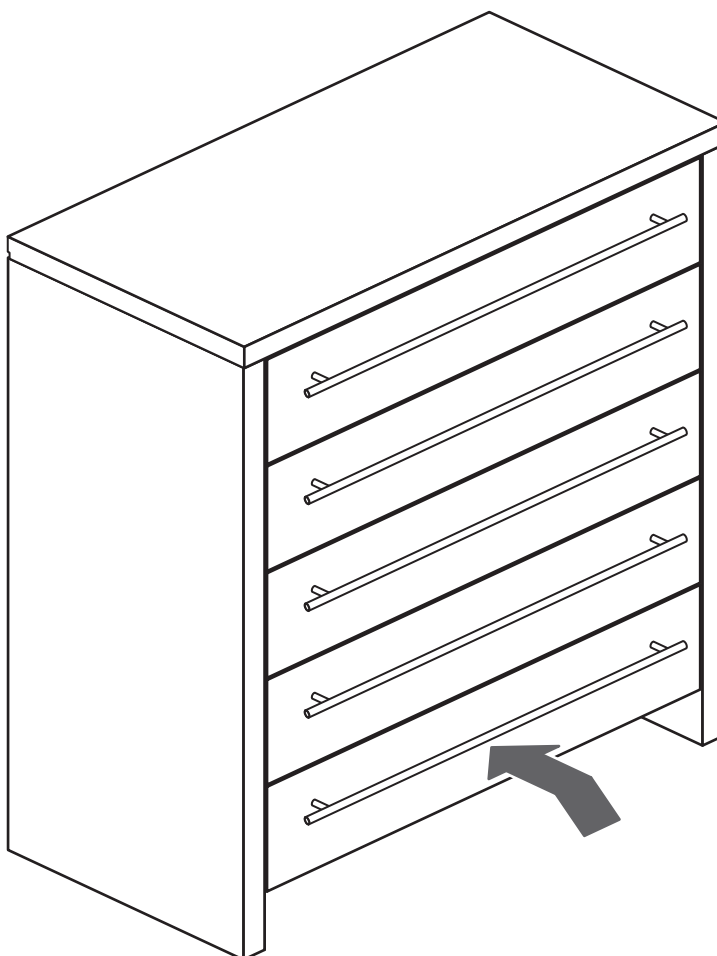
# Assembly Instructions

## Step 18

### Fit the drawers

Slide the wheels of the runners fitted to the drawers, over the wheels of the runners fitted to the side panels and push the drawers into position.

**Assembly is complete**



If you need help or have damaged or missing parts, call the Customer Helpline: 08456 400800 and quote the reference numbers on the component pages.

Argos Ltd, 489-499 Avebury Boulevard, Central Milton Keynes, MK9 2NW

