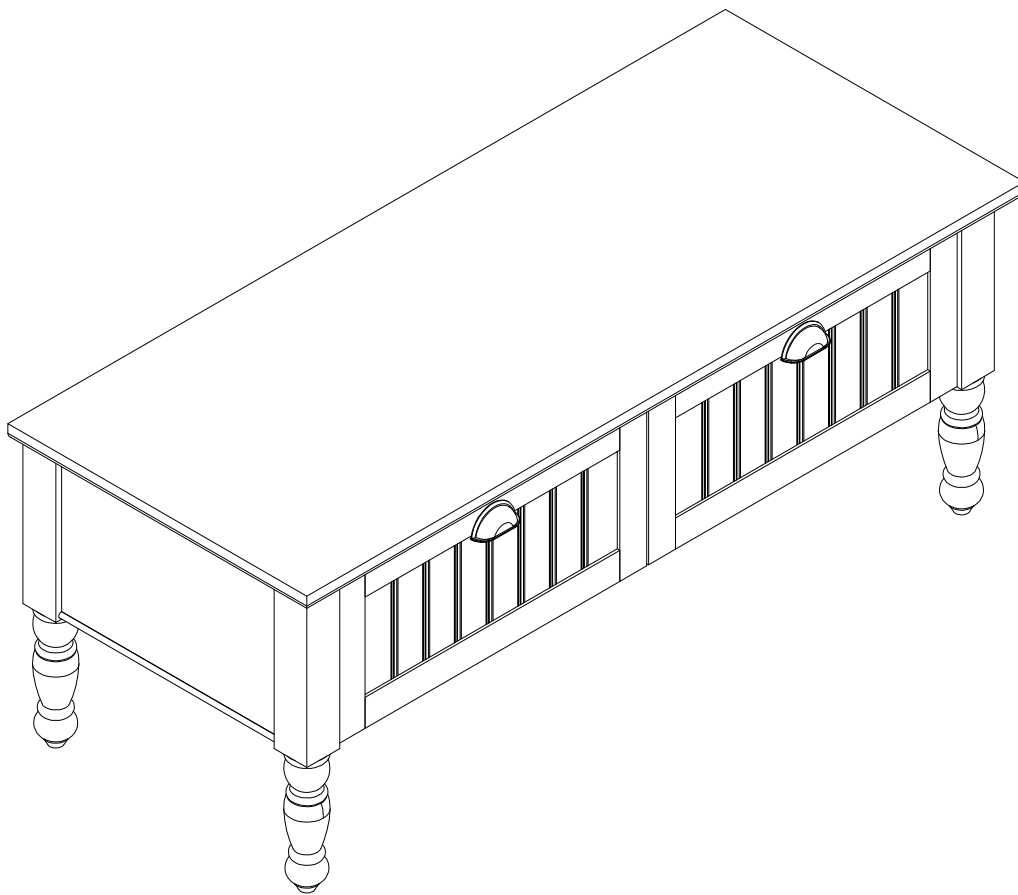


# Addington - Coffee table

Assembly Instruction - Please keep for future reference

614/4252



## Dimensions

Length - 120cm

Width - 50cm

Height - 47cm

**Important - Please read these instruction fully before starting assembly**

If you need help or have damaged or missing parts, call the **Customer Helpline: 0845 640 0800**



# Safety and Care Advice

**Important - Please read these instructions fully before starting assembly**

- Check you have all the components and tools listed on pages 2 and 3.

- Remove all fittings from the plastic bags and separate them into their groups.

- Keep children and animals away from the work area, small parts could choke if swallowed.

- Make sure you have enough space to layout the parts before starting.

- Retain these instructions for future reference

- Do not stand or put weight on the product during assembly, this could cause damage.

- Assemble the item as close to its final position (in the same room) as possible.

- Assemble on a soft level surface to avoid damaging the unit or your floor.

- Parts of the assembly will be easier with 2 people.



- We do not recommend the use of power drill/drivers **for inserting screws**, as this could damage the unit. Only use hand screwdrivers.

- Dispose of all packaging carefully and responsibly.

- Do not use this item if any components are missing or damaged

## Care and maintenance

- Only clean using a damp cloth and mild detergent, do not use bleach or abrasive cleaners.

- From time to time check that there are no loose screws on this unit.

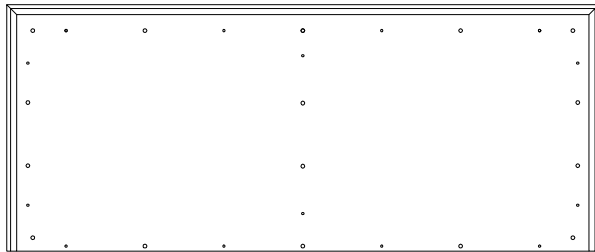
- This product should not be discarded with household waste. Take to your local authority waste disposal centre.

**Note:** if required the next page can be cut out and used as reference throughout the assembly. Keep this page with these instructions for future reference.

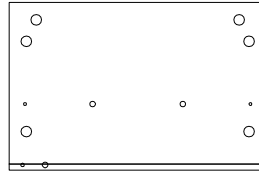
# Components - Panels

If you have damaged or missing components, call the **Customer Helpline: 0845 6400800**

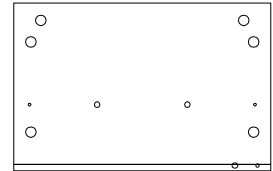
**Please check you have all the panels listed below**



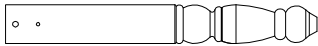
**1** Top panel (120x50cm)



**2** Left side panel (36.5x23.25cm)



**3** Right side panel (36.5x23.25cm)



**4** Left front leg (44x5.5cm)



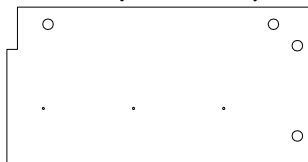
**5** Right front leg (44x5.5cm)



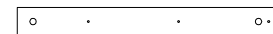
**6** Left back leg (44x5.5cm)



**7** Right back leg (44x5.5cm)



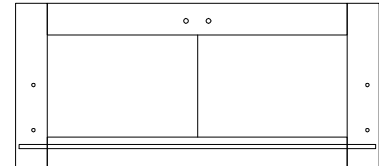
**8** Divider panel (22.3x43.7cm)



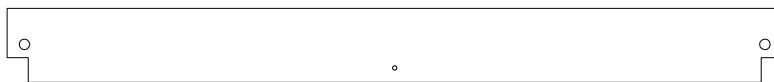
**12** Runner support x2 (36.5x4cm)



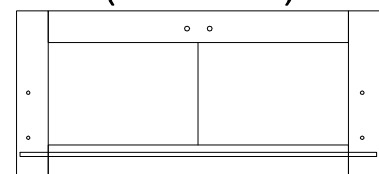
**9** Front rail (104x6cm)



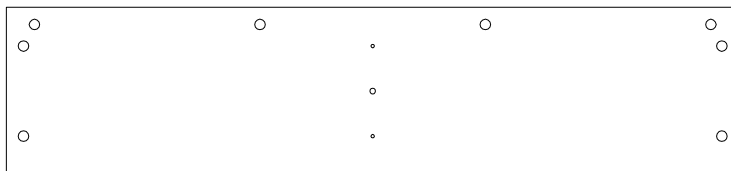
**13** Left drawer front (51.6x23.5cm)



**10** Bottom rail (110x10.5cm)



**14** Right drawer front (51.6x23.5cm)



**11** Back panel (104x23.8cm)



**15** Drawer left side x 2 (35.2x12cm)



**16** Drawer right side x 2 (35.2x12cm)



**17** Drawer back x 2 (46.2x11.9cm)

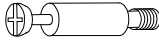







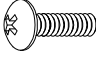

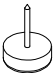

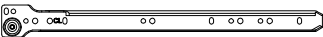
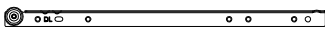




**18** Drawer bottom x 2 (47.3x34.8cm)

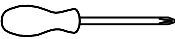
# Components - Fittings


Please check you have all the fittings listed below

**Note:** The quantities below are the correct amount to complete the assembly. In some cases more fittings may be supplied than are required.


 <p><b>A</b> Ø7x36mm Connecting bolt x 32</p>	 <p><b>B</b> Ø15x12mm Locking cam x 32</p>	 <p><b>C</b> Ø8x30mm Wooden dowel x 32</p>
 <p><b>D</b> Ø6.5x33mm Short connection bolt x 8</p>	 <p><b>E</b> Ø15x10mm Small locking cam x 8</p>	 <p><b>F</b> Ø4x38mm Screw x 13</p>
 <p><b>G</b> Ø3.5x12mm Screw x 21</p>	 <p><b>H</b> Ø4x12mm Screw x 3</p>	 <p><b>I</b> M4x12mm Screw x 4</p>
 <p><b>J</b> 80x32mm Screw x 2</p>	 <p><b>K</b> Plastic feet x 4</p>	 <p><b>L</b> Ø16x3mm Cap x 8</p>
 <p><b>M</b> 350mm Runner LT/F x 2</p>	 <p><b>N</b> 350mm Runner LT/M x 2</p>	 <p><b>O</b> 350mm Runner RT/F x 2</p>
 <p><b>P</b> 350mm Runner RT/M x 2</p>		

## Tools required

 Phillips screwdriver (medium & large)

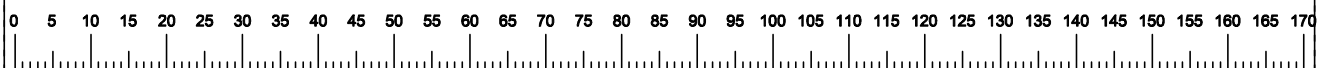
 Small hammer

 Flatblade screwdriver (medium)

 Ruler/tape measure

 Eye protection (when using a hammer)

**Ruler - Use this ruler to help correctly identify the screws**



# Assembly Instructions

## Step 1

**Fixing fittings on middle divider panel 8.**

a: Fix runner LT/F **M** with screws **G**.

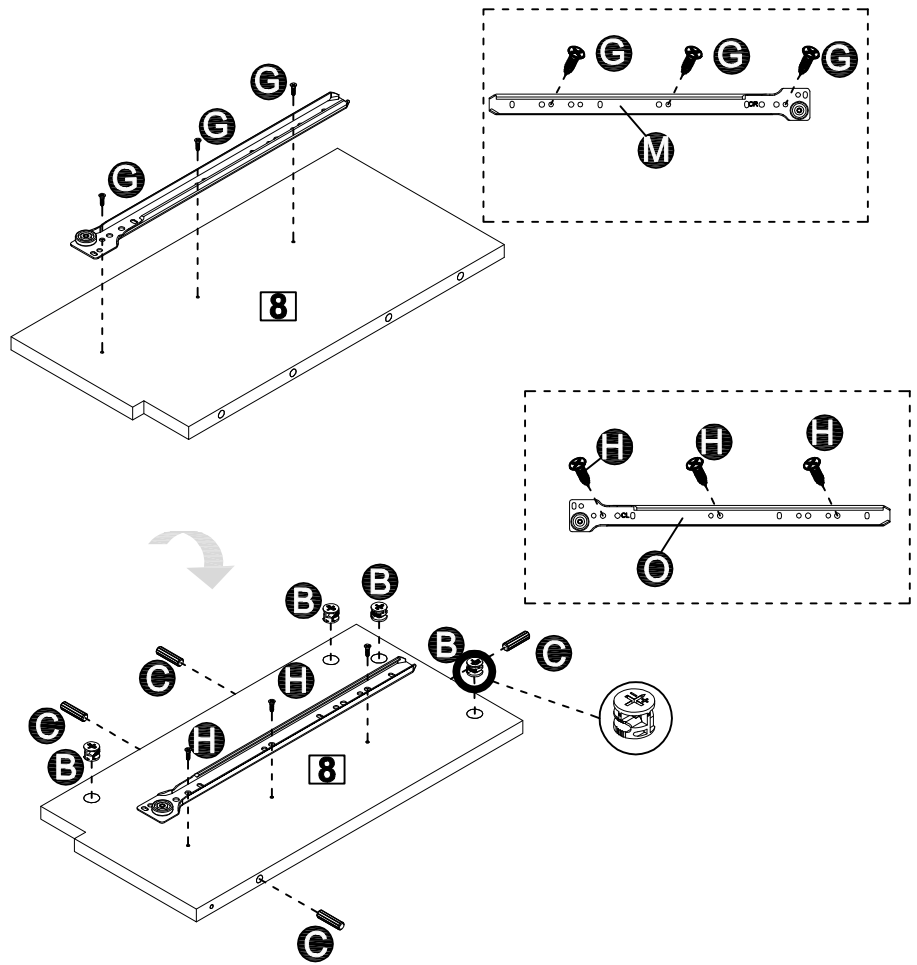
Note: Follow the hole positions as shown.

b: Fix runner RT/F **H** with screws **H** on the other side

Note: Follow the hole positions as shown.

c: Insert wooden dowels **C** and locking cams **B** as shown.

Note: The slot position of locking cams **B** should be as shown.



## Step 2

**Fitting dowels**

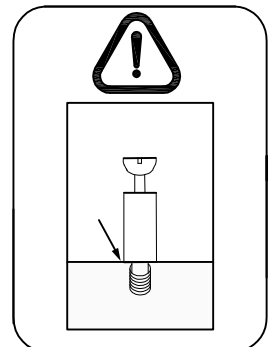
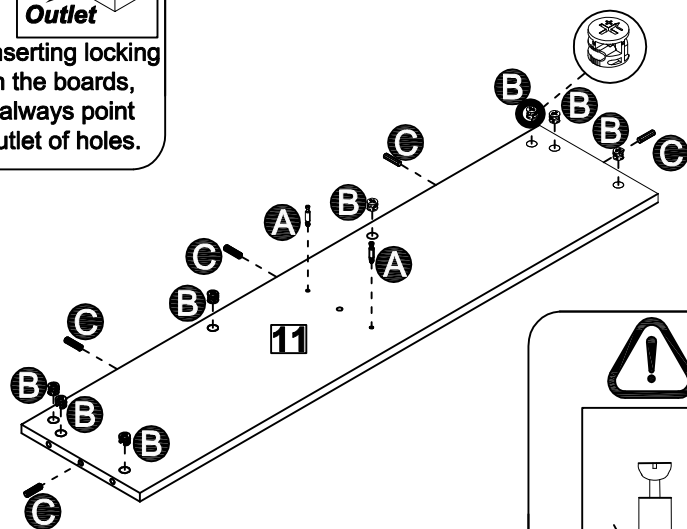
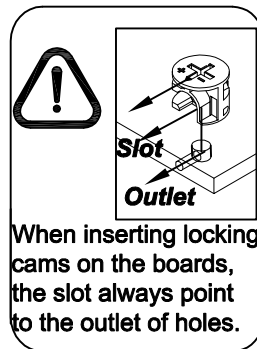
Fix connecting bolts **A** onto back panel **11** as shown.

Note: Insert bolt **A** as far as shown.

Do not over tighten.

Insert wooden dowels **C** and locking cams **B** as shown.

Note: The slot position of locking cams **B** should be as shown.

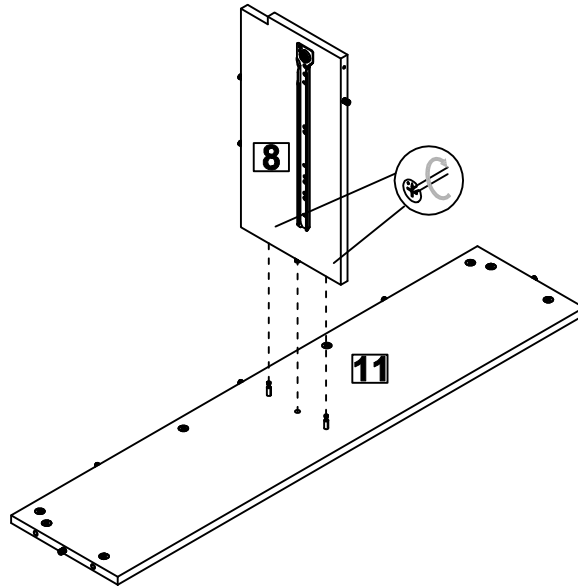


# Assembly Instructions

## Step 3

### Attaching panels

Position divider panel **8** onto back panel **11** as shown. Use screw driver to turn locking cams **B** clockwise to lock.

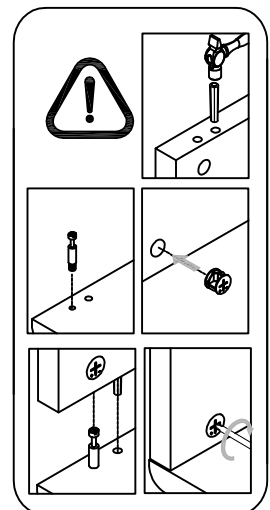
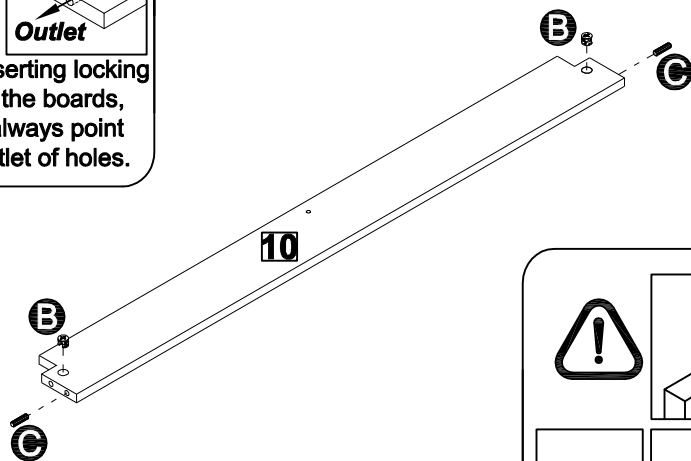
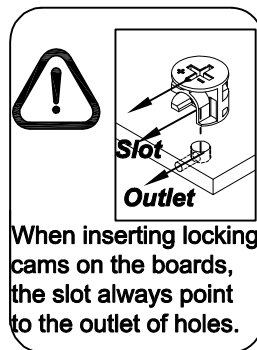


## Step 4

### Fitting dowels

Insert wooden dowels **C** and locking cams **B** into bottom rail **10** as shown.

Note: The slot position of locking cams **B** should be as shown.



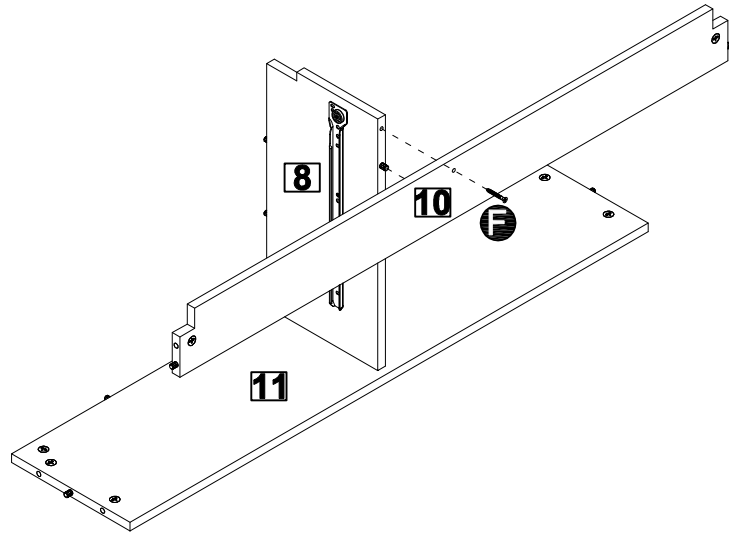
# Assembly Instructions

## Step 5

### Attaching panels

Attach bottom rail

10 onto divider panel 8 with screw F as shown.

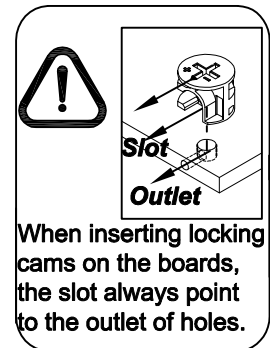
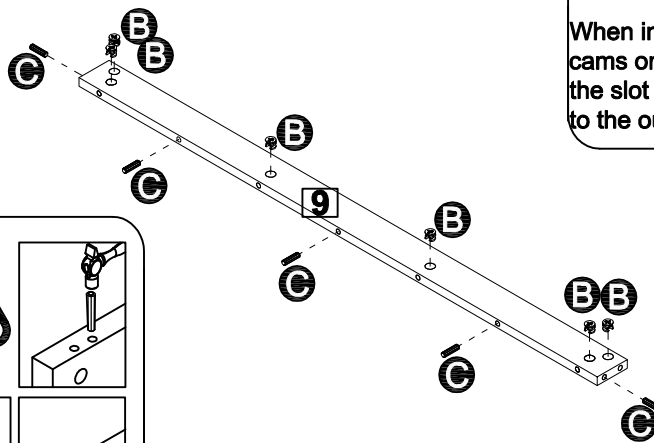
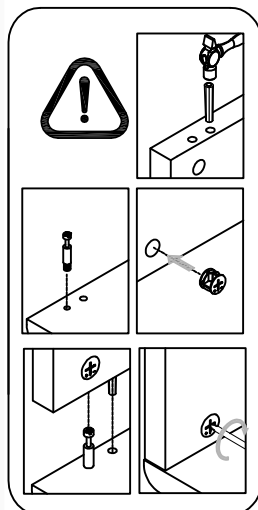


## Step 6

### Fitting dowels

Insert wooden dowels G and locking cams B into front rail 9 as shown.

Note: The slot position of locking cams B should be as shown.



When inserting locking cams on the boards, the slot always point to the outlet of holes.

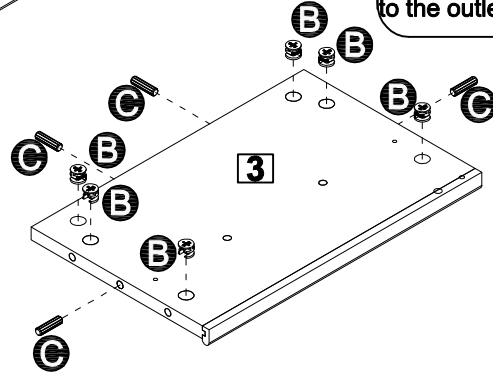
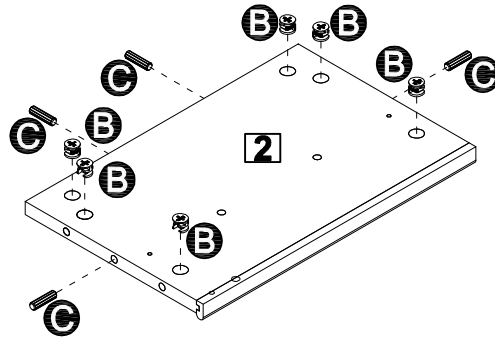
# Assembly Instructions

## Step 7

### Fitting dowels

Insert wooden dowels **C** and locking cams **B** into side panels **2** & **3** as shown.

Note: The slot position of locking cams **B** should be as shown.

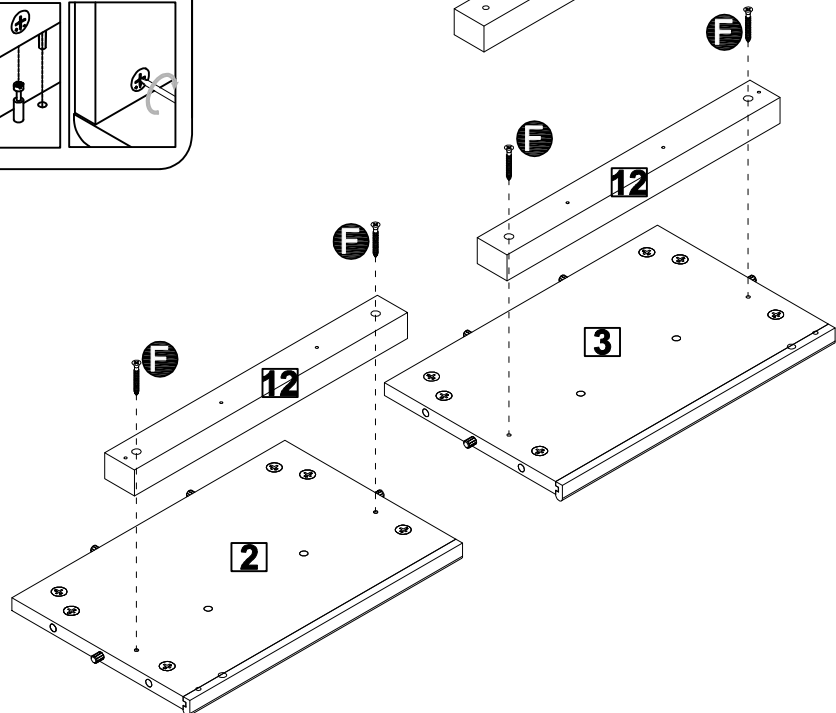
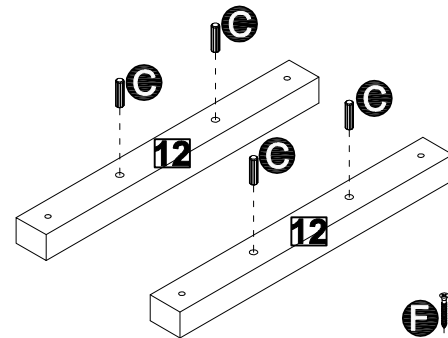
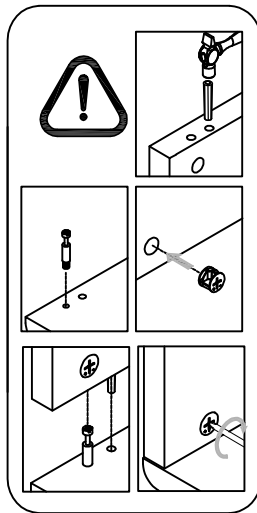


## Step 8

### Attaching panels

Insert wooden dowels **C** into runner supports **12** as shown.

Attach runner support **12** onto side panels **2** & **3** with screw **F** as shown.





# Assembly Instructions

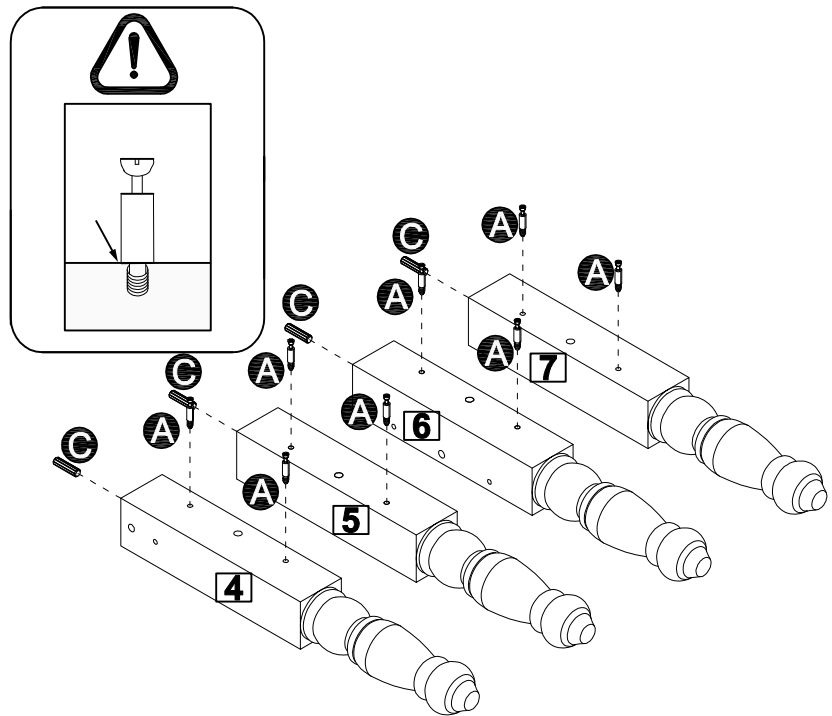
## Step 9

### Fitting dowels

Insert wooden dowels **C** into legs **4**, **5**, **6** & **7** as shown.

Fix connecting bolts **A** into legs **4**, **5**, **6** & **7** as shown.

Note: Insert bolt **A** as far as shown. Do not over tighten.



## Step 10

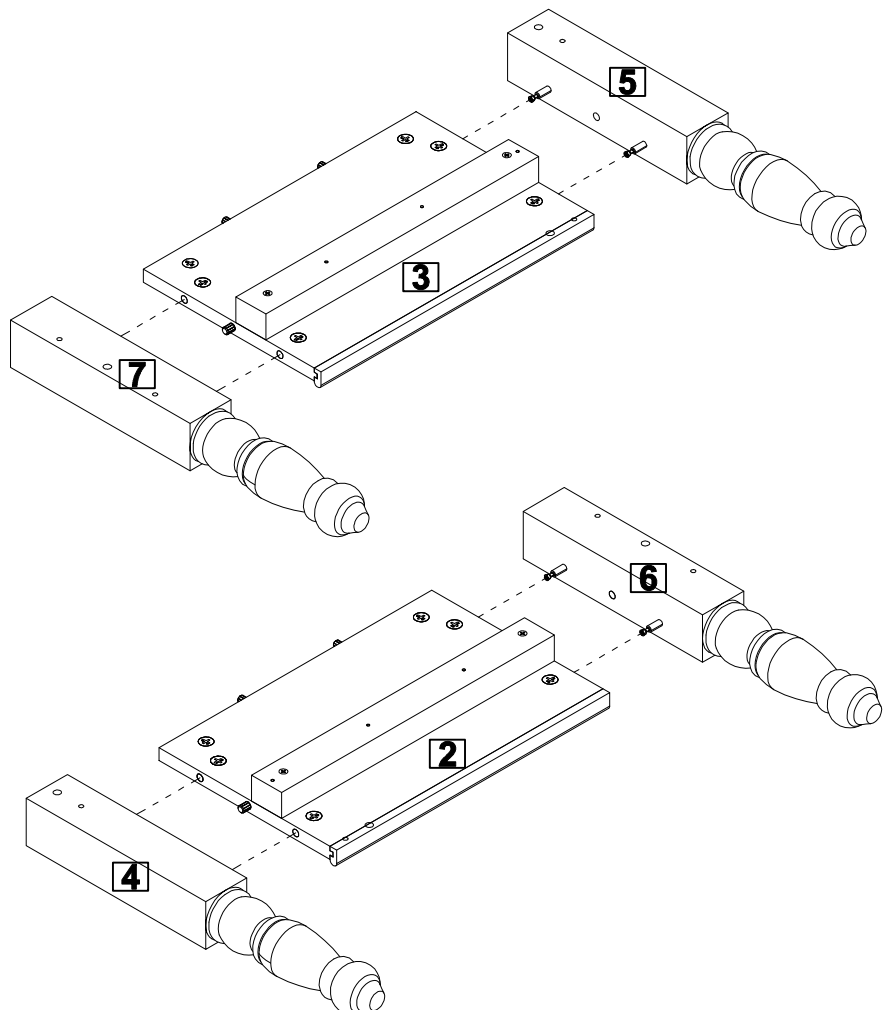
### Attaching legs

a. Attach right front leg **5** and right back leg **7** onto right side panel **3** as shown.

Use screw driver to turn locking cams **B** clockwise to lock.

b. Attach left front leg **4** and left back leg **6** onto left side panel **2** as shown.



Use screw driver to turn locking cams **B** clockwise to lock.



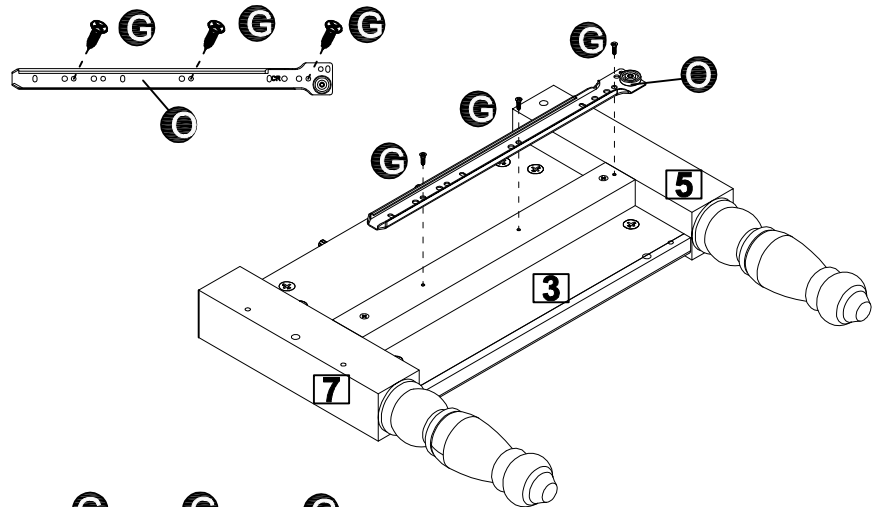
# Assembly Instructions



## Step 11

### Fitting dowels

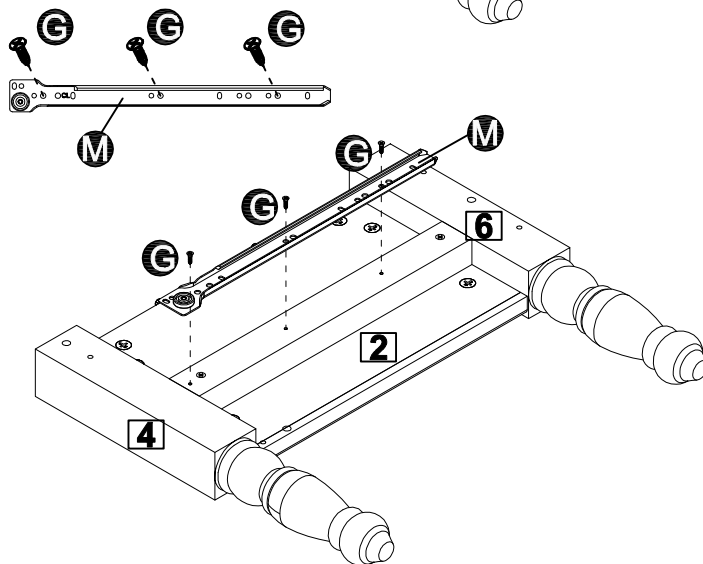
a: Fix runner RT/F  with screws  as shown.

Note: Follow the hole positions as shown.



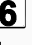



b: Fix runner LT/F  with screws  as shown.


Note: Follow the hole positions as shown.

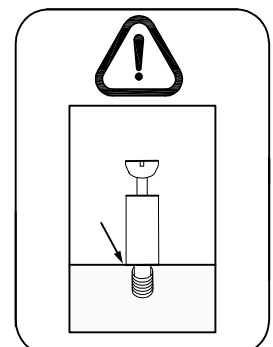
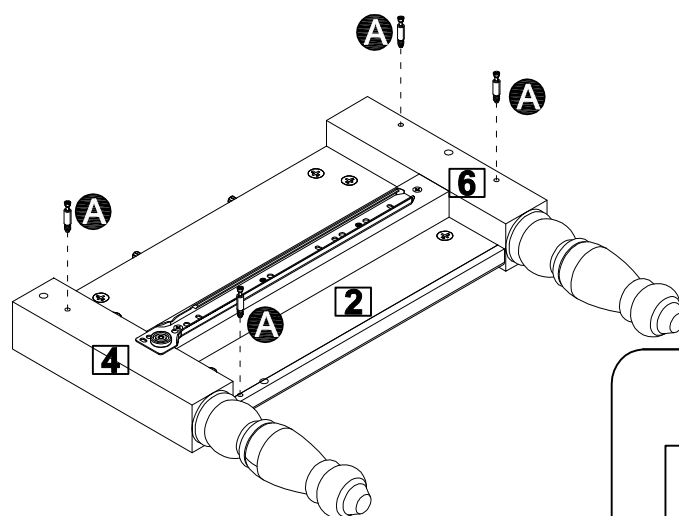


## Step 12

### Fitting dowels

Fix connecting bolts  on legs  &  and left side panel  as shown.

Note: Insert bolt  as far as shown.  
Do not over tighten.



# Assembly Instructions

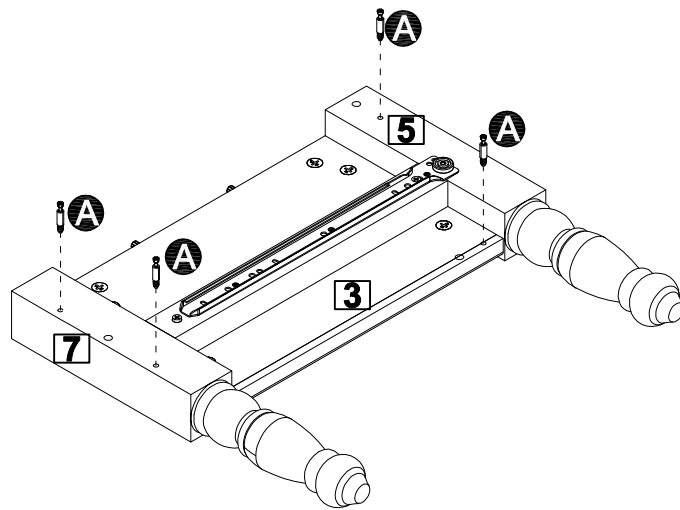
## Step 13

### Fitting dowels

Fix connecting bolts **A** on legs **5** & **7** and right side panel **3** as shown.

Note: Insert bolt **A** as far as shown.

Do not over tighten.



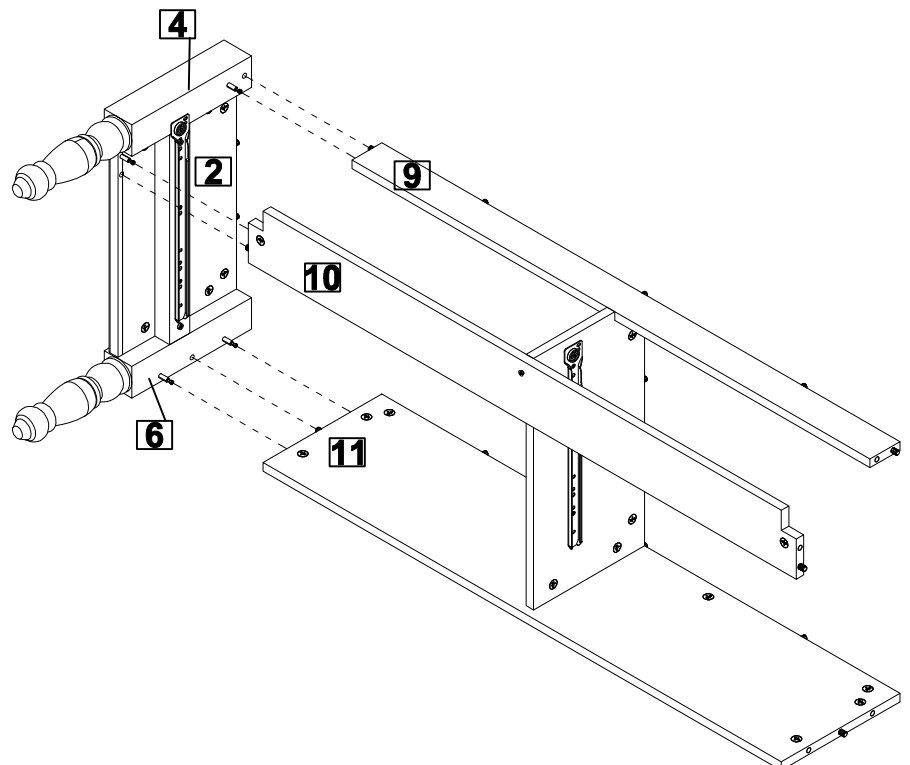
## Step 14

### Attaching panels

Two people are needed for this assembly.

Position left side legs **4** & **6** and left side panel **2** onto back panel **11**, front rail **9** & bottom rail **10**.

Use screw driver to turn locking cams **B** clockwise to lock.



# Assembly Instructions

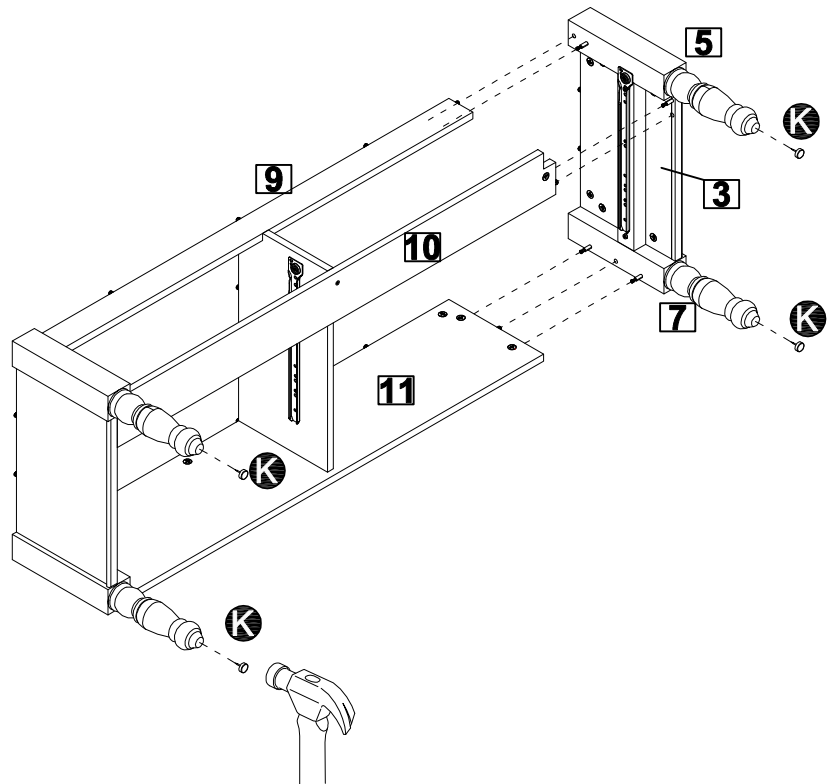
## Step 15

### Attaching panels

Two people are needed for this assembly.

a. Position right side legs **5** & **7** and right side panel **3** onto back panel **11**, front rail **9** & bottom rail **10**. Use screw driver to turn locking cams **E** clockwise to lock.

b. Nail plastic feet **K** into legs as shown using hammer.



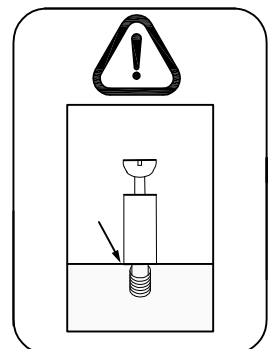
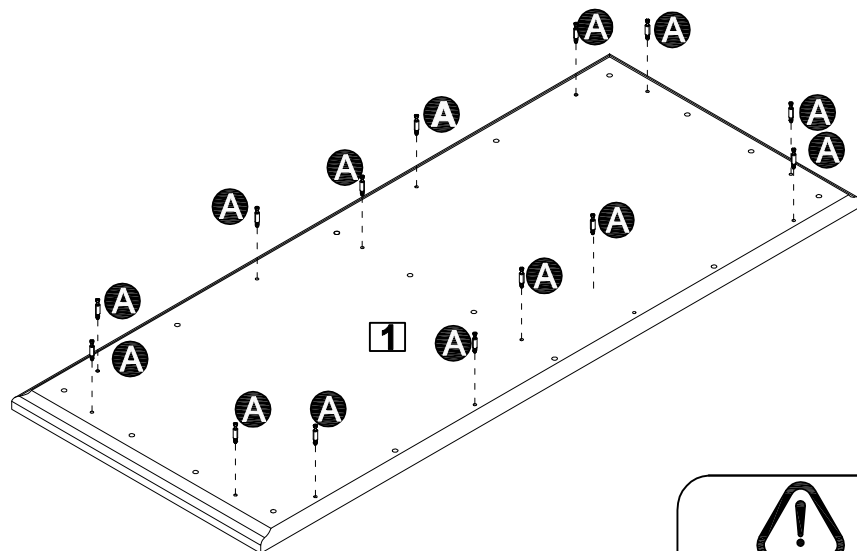
## Step 16

### Fitting dowels

Fix connecting bolts **A** onto top panel **1** as shown.

Note: Insert bolt **A** as far as shown.

Do not over tighten.



# Assembly Instructions

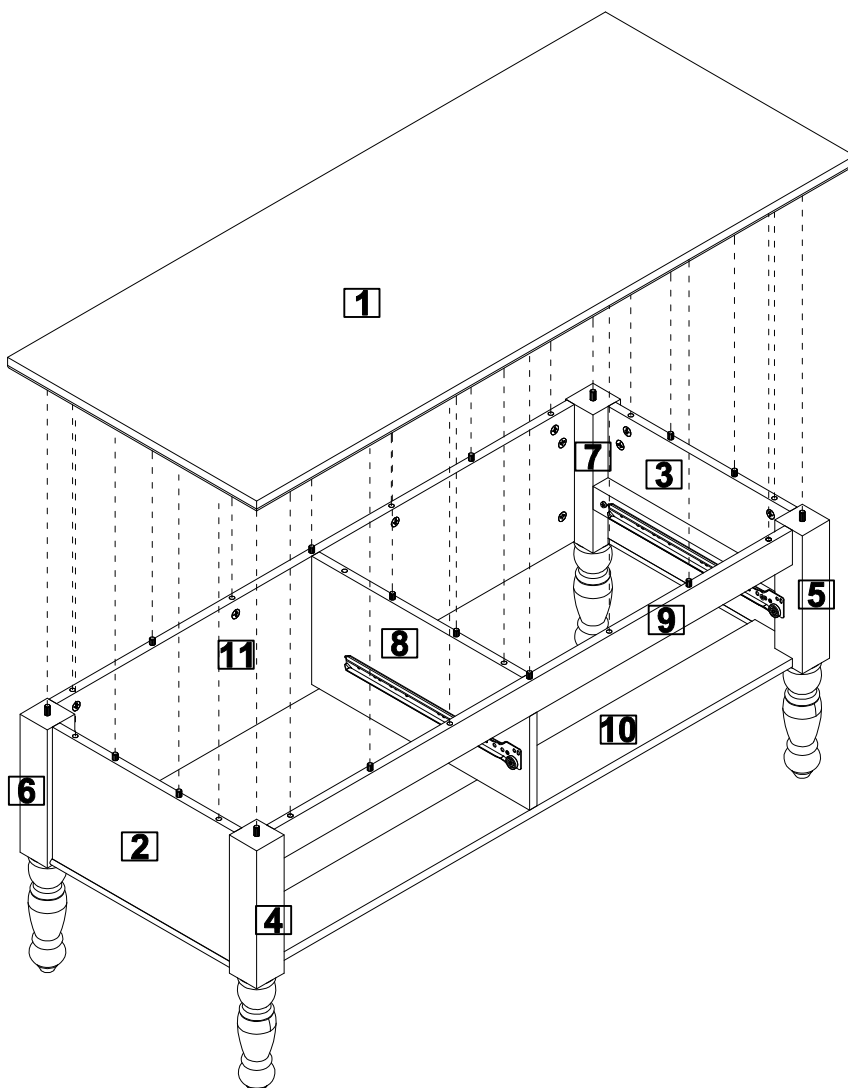
## Step 17

### Attaching panels

Two people are needed for this assembly.

Position top panel **1** onto body frame panels **2**, **3**, **9** & **11** and legs **4**, **5**, **6** & **7** as shown at same time.

Use screw driver to turn locking cams **E** clockwise to lock.



## Step 18

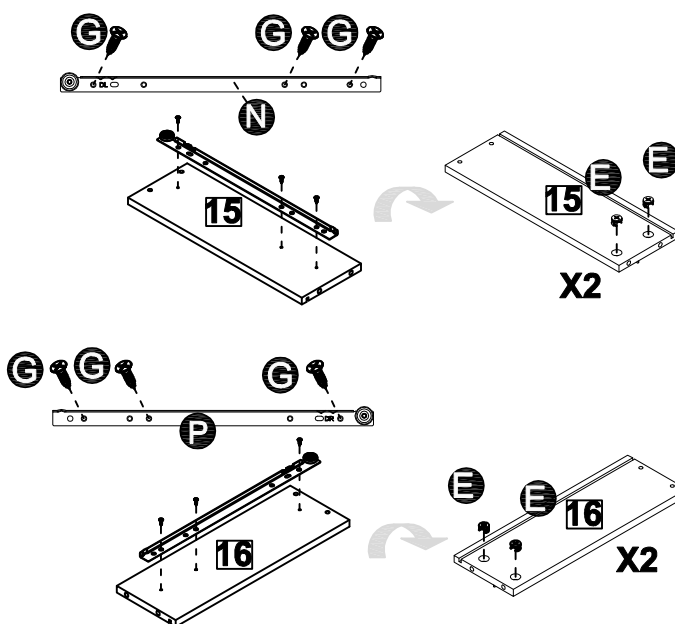
### Assemble drawers

a: Fix runners LT/M **N** on drawer left side **15** with screws **G**.

Note: Follow hole positions as shown. Insert small locking cams **E** on the other side.

b: Fix runners RT/M **P** on drawer right side **16** with screws **G**.

Note: Follow hole positions as shown. Insert small locking cams **E** on the other side.



# Assembly Instructions

## Step 19

### Assemble drawers

c: Connect drawer left side **15** and drawer right side **16** to drawers back **17** with screws **F**.

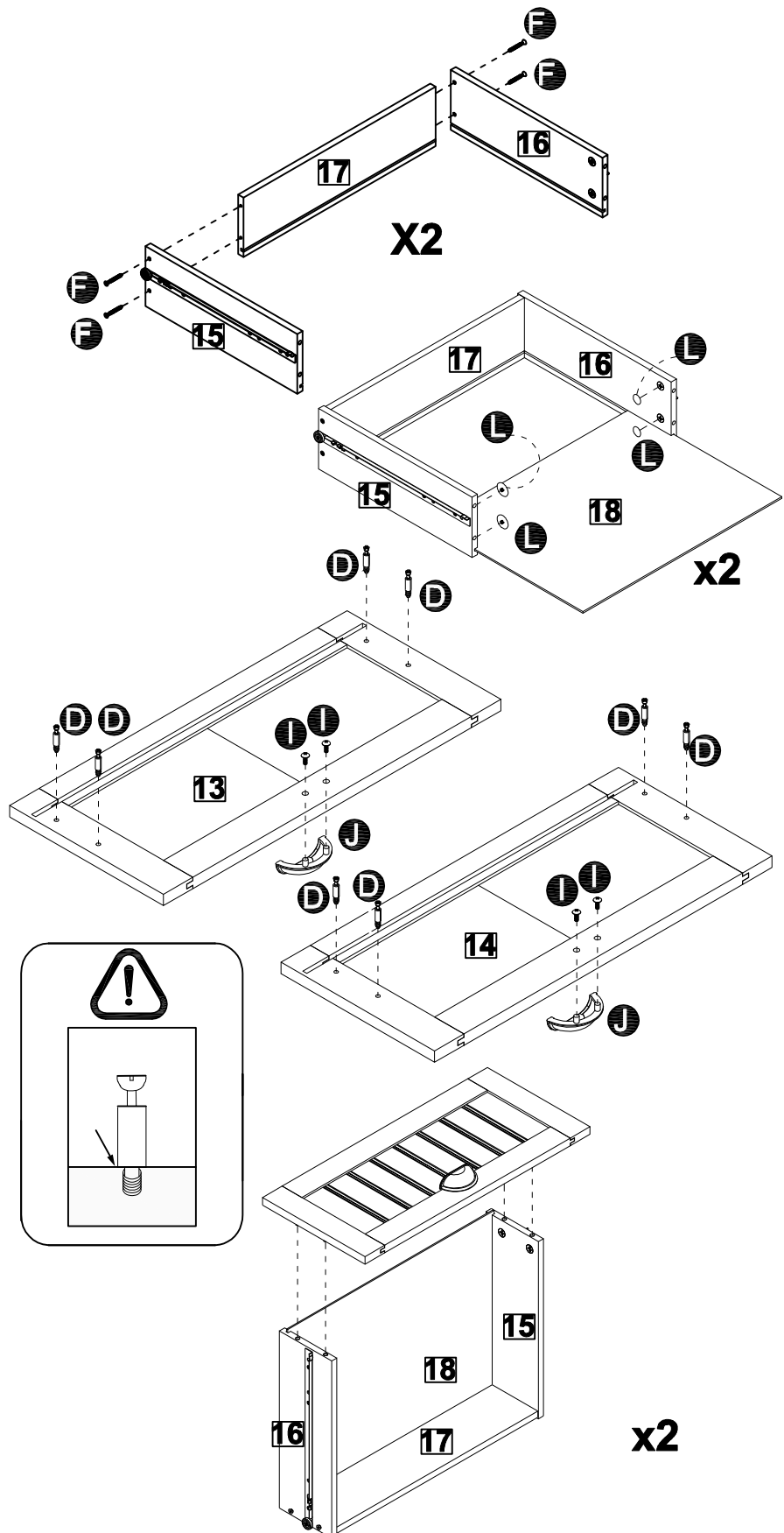
d: Insert drawer bottom **18** into the grooves of drawer frame panels **15**, **16** & **17**.

e: Fix short connecting bolts **D** onto drawer fronts **13** & **14**.

Note: Insert bolt **D** as far as shown. Do not over tighten.

f: Fix handles **J** onto drawer fronts **13** & **14** with screws **I** as shown.

g: Position drawer fronts **13** & **14** onto drawer sides **15** & **16** of drawer frame. Turn small locking cams **D** clockwise with screw driver to lock.



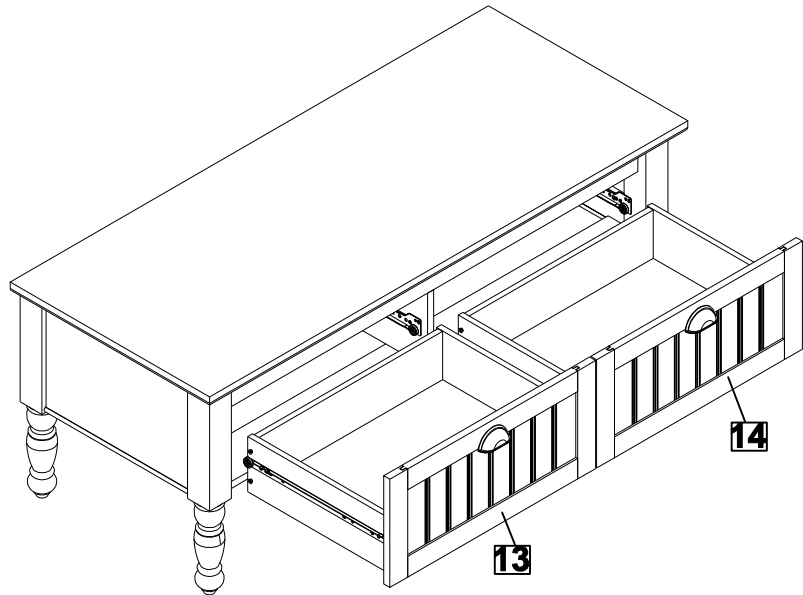
# Assembly Instructions

## Step 20

Insert drawers into cabinet carefully as shown.

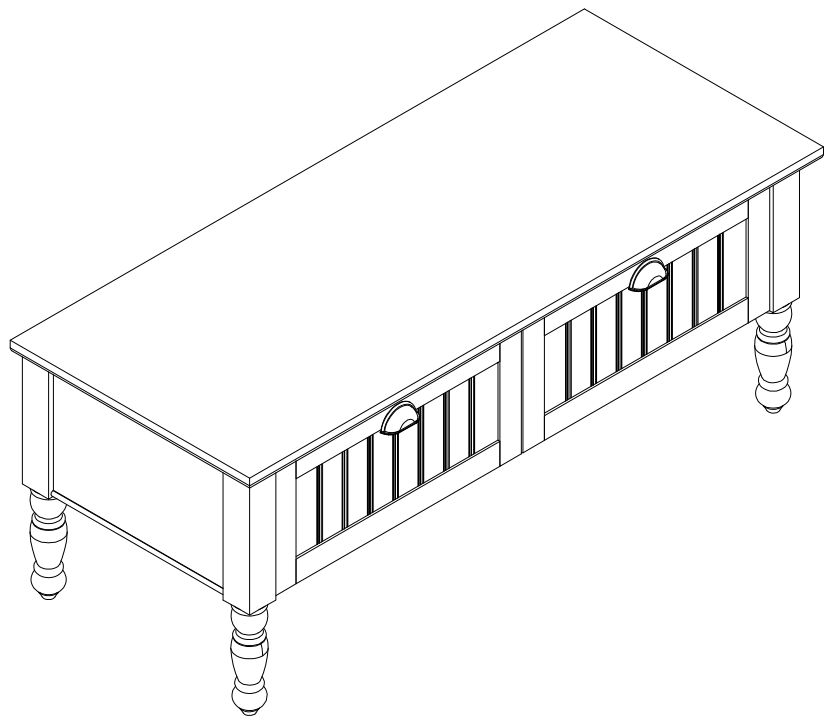
Slide drawer runners into position gently to avoid damaging runners.

**Note:**  
Follow the correct left/right order of these 2 drawers as shown.



## Step 21

Assembly is complete.



If you have damaged or missing components, call the **Customer Helpline: 0845 6400800**