

# Barcelona 3' Bed to go

Assembly Instructions – Please keep for future reference

249/5424



## Dimensions

Length - 198cm

Width - 112cm

Height - 115cm

**Important** – Please read these instructions fully before starting assembly

If you need help or have damaged or missing parts, call the **Customer Helpline: 0345 6400 800**



# Safety and Care Advice

## Important – Please read these instructions fully before starting assembly

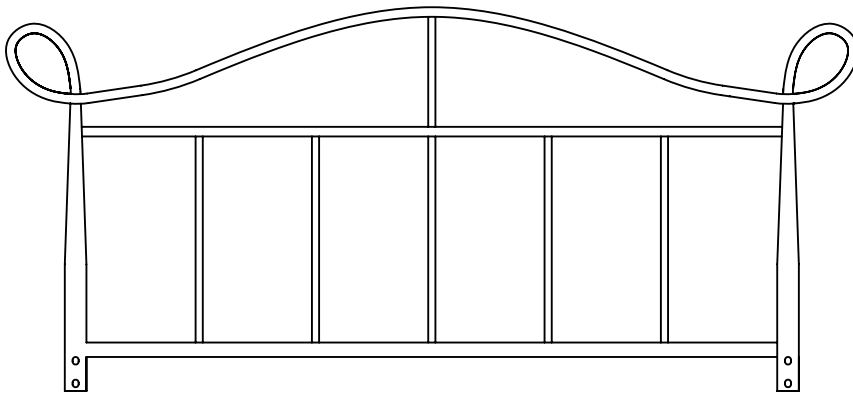
- Check you have all the components and tools listed on pages 2 and 3.
- Remove all fittings from the plastic bags and separate them into their groups.
- Keep children and animals away from the work area, small parts could choke if swallowed.
- Parts of the assembly will be easier with 2 people.
- Make sure you have enough space to layout the parts before starting.
- Assemble the item as close to its final position (in the same room) as possible.
- Dispose of all packaging carefully and responsibly.
- Place the product on flat and steady surface during use.
- Assemble on a soft level surface to avoid damaging the unit or your floor.
- Keep these instructions for further use.
- To ensure an easier assembly, we strongly advise that all fittings are only finger tightened during initial assembly. Only upon completion of the assembly should all fixing points be fully tightened.

## Care and maintenance

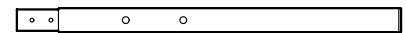
- Only clean using a damp cloth and mild detergent, do not use bleach or abrasive cleaners.
- From time to time check that there are no loose screws on this unit.
- This product should not be discarded with household waste. Take to your local authority waste disposal centre.

# Components - Parts

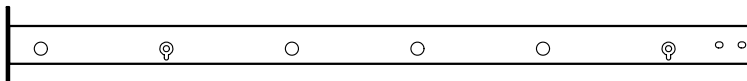
Please check you have all the parts listed below



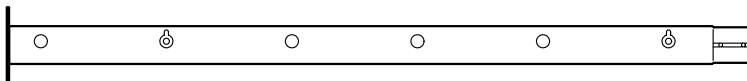
**1** Headboard panel (112.5 x 74cm)



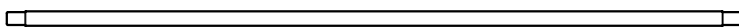
**2** Headboard post x 2  
(60.2 x Ø2.9cm)



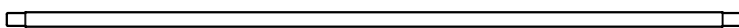
**3** Side rail x 2 (98.4 x 10cm)



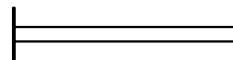
**4** Side rail x 2 (98.4 x 10cm)



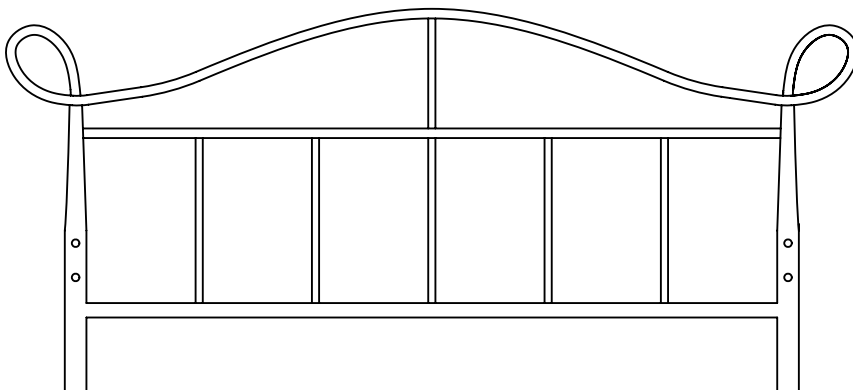
**5** Slat (Thread each end) x 4 (97.1 x Ø1.9cm)



**6** Slat x 8 (97.1 x Ø1.9cm)



**7** Support leg x 2  
(24.3 x 7cm)



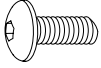

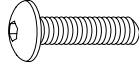

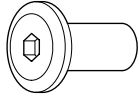
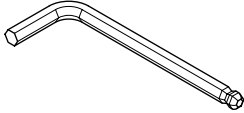
**8** Footboard (112.5 x 74cm)

# Components - Fittings

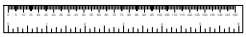
If you have damaged or missing components, call the **Customer Helpline: 0345 6400 800**

Please check you have all the fittings listed below

**Note:** The quantities below are the correct amount to complete the assembly. In some cases more fittings may be supplied than are required.

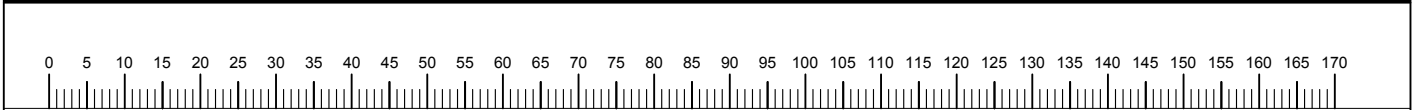
|  |  |  |
|--|--|--|
| <b>A</b><br><br>13mm Allen screw x 12 | <b>B</b><br><br>Plain washer x 12 | <b>C</b><br><br>25mm Allen screw x 16 |
| <b>D</b><br><br>Rubber washer x 8     | <b>E</b><br><br>Nut x 4           | <b>F</b><br><br>Allen key x 2         |

## Tools required



Ruler/tape  
measure

## Ruler - Use this ruler to help correctly identify the screws



# Assembly Instructions

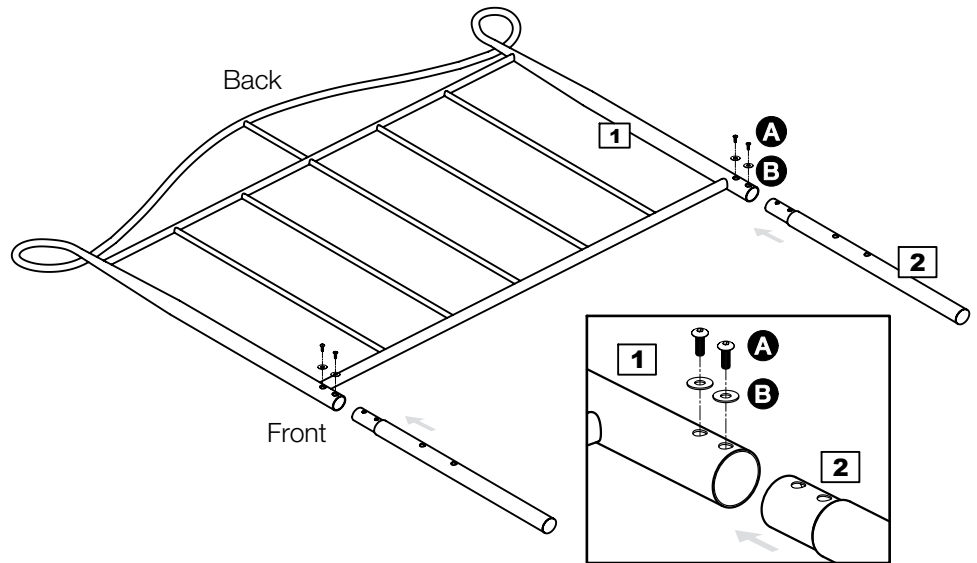
## Step 1

### Assembling posts

Place headboard panel **1** face down onto a clean flat surface.

*Note:* Fixing holes for posts should be facing up.

Secure headboard posts **2** to headboard panel **1** using fixings **A** and **B**.

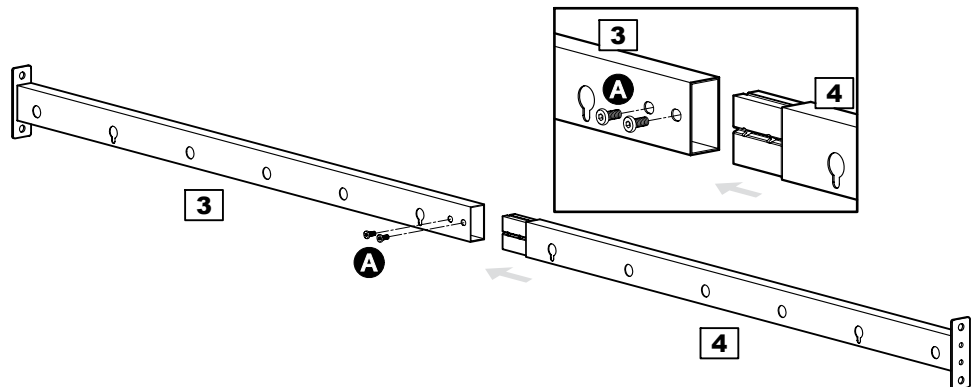


## Step 2

### Assembling side rails

Assemble side rails **3** and **4** together using screws **A**.

Repeat for the other side rail.

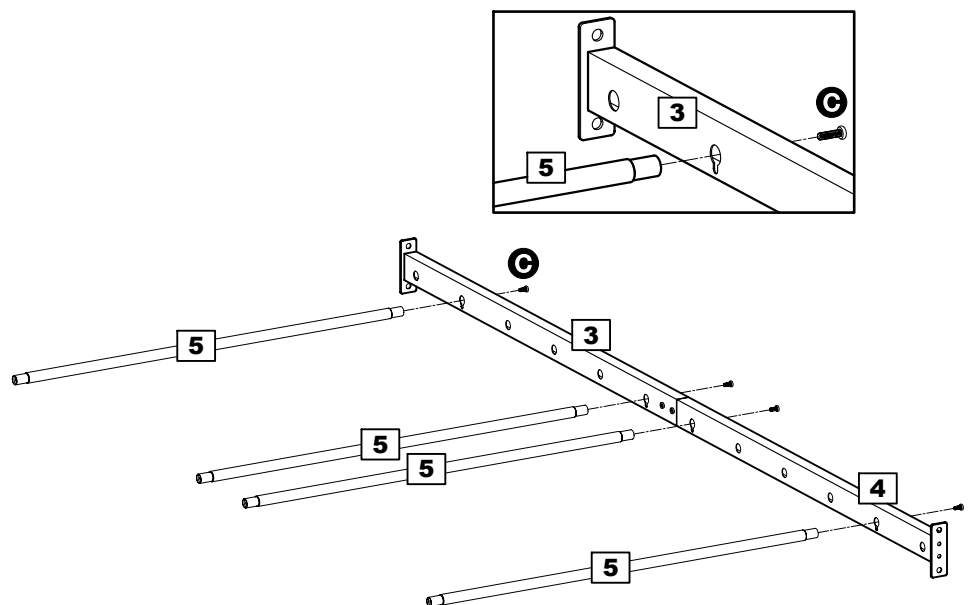


## Step 3

### Assembling slats

Assemble slats **5** to one side rail only, using screws **C**.

*Note:* Slats **5** have a thread in each end.



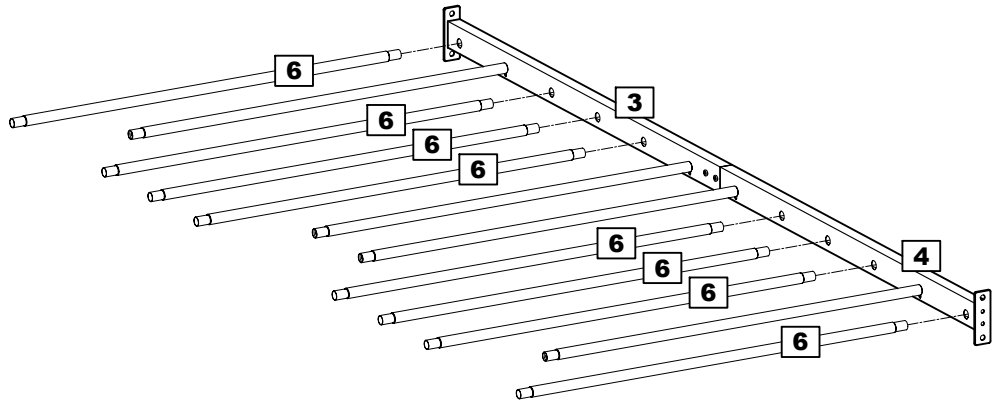
# Assembly Instructions

## Step 4

### Assembling slats

Locate slats **6** into the remaining holes in the side rail.

**Note:** Slats **6** have no threads in the end and do not require fixing.

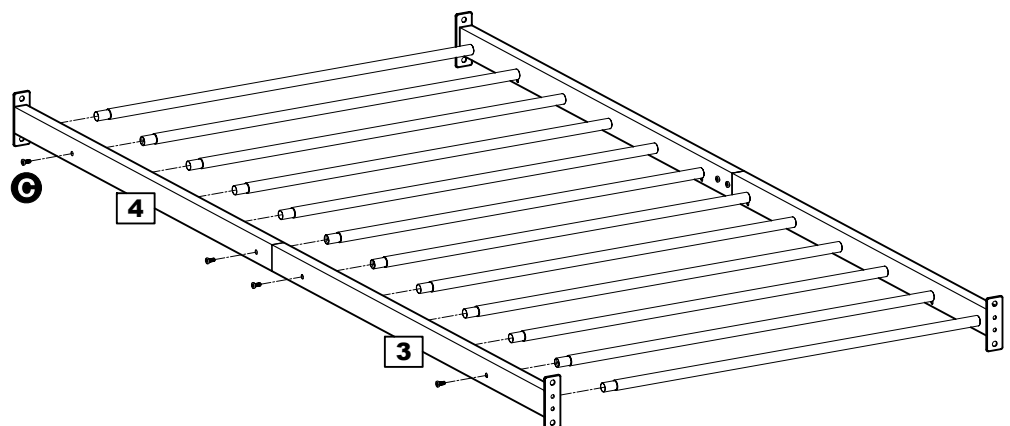


## Step 5

### Assembling slats

With help, locate the remaining side rail onto the ends of the slats.

Secure using screws **C** as shown.



# Assembly Instructions

## Step 6

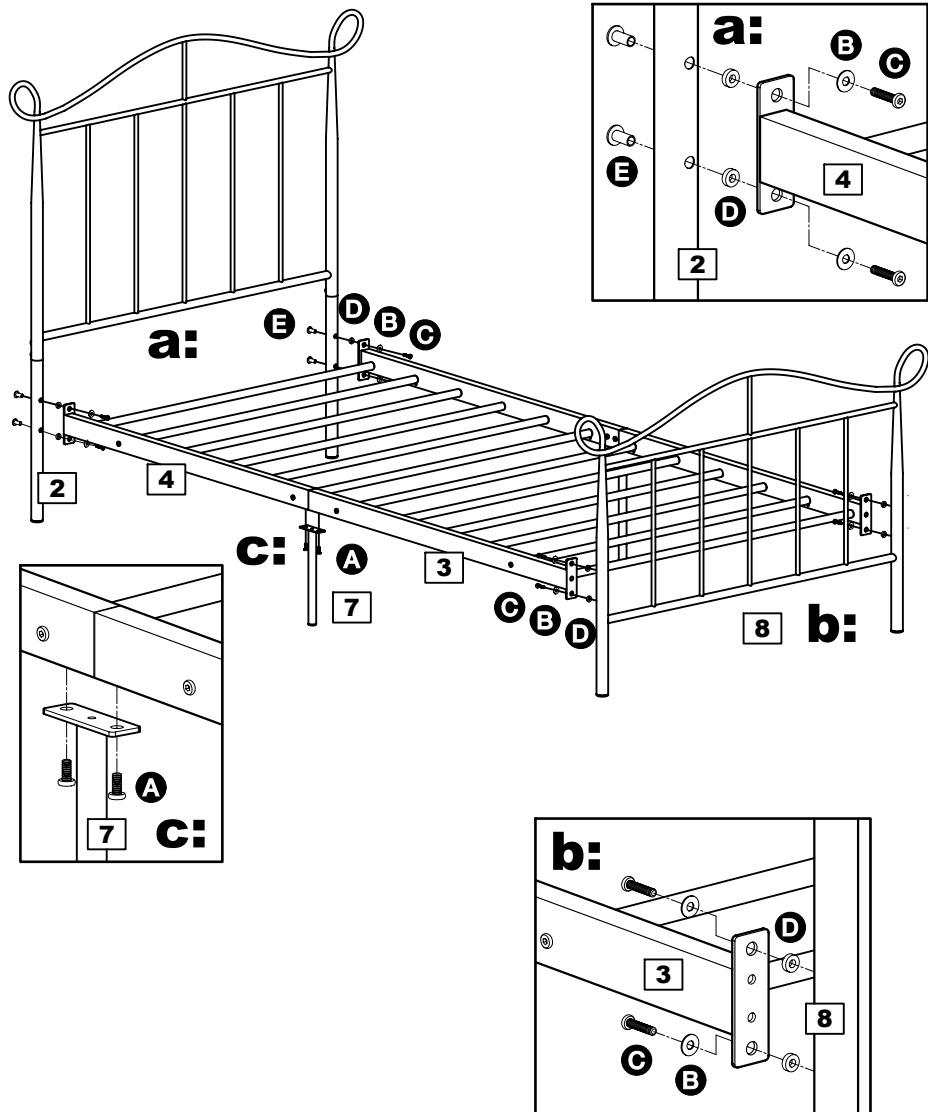
### Assembling side rails

**a:** With help, assemble side rails to the headboard using fixings **B**, **C**, **D** and **E**.

**b:** Assemble footboard **8** to the side rails using fixings **B**, **C** and **D**.

**c:** Assemble support leg **7** to the underside of the side rail using screws **A**.

Repeat on both sides.



Assembly is complete.

If you need help or have damaged or missing parts, call the **Customer Helpline: 0345 6400 800**  
Home Retail Group, 489-499 Avebury Boulevard, Saxon Gate West, Central Milton Keynes, MK9 2NW