

New Sywell - 2 Drawer Bedside

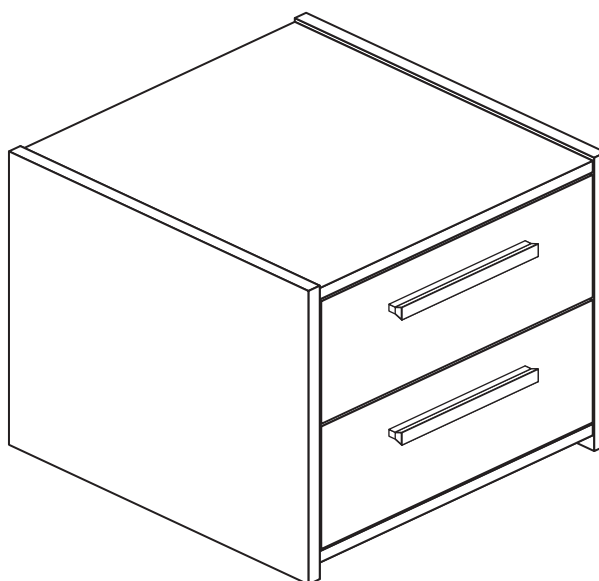
Assembly Instructions - Please keep for future reference

282/8417

268/4792

281/2612

279/9618



Dimensions

Width - 39.5cm

Depth - 40cm

Height - 39cm



**MADE IN
BRITAIN**

Important - Please read these instructions fully before starting assembly

If you need help or have damaged or missing parts, call the **Customer Helpline: 08456 400800**



Safety and Care Advice

Important - Please read these instructions fully before starting assembly

- **Warning:** This unit weighs approximately 10kgs. Please lift with care.

- Check you have all the components and tools listed on pages 2 and 3.

- Remove all fittings from the plastic bags and separate them into their groups.

- Keep children and animals away from the work area, small parts could choke if swallowed.

- Parts of the assembly will be easier with 2 people.

- Make sure you have enough space to layout the parts before starting.

- Do not stand or put weight on the product, this could cause damage.

- Assemble the item as close to its final position (in the same room) as possible.

- Assemble on a soft level surface to avoid damaging the unit or your floor (use opened out unit carton).



- We do not recommend the use of power drill/drivers **for inserting screws**, as this could damage the unit. Only use hand screwdrivers.

- **Safety note:** If there is any chance of this unit being pulled over by children etc. it is recommended that the unit is secured to a wall using suitable fixings (not supplied).

- Dispose of all packaging carefully and responsibly.

Care and maintenance

- Only clean using a damp cloth and mild detergent, do not use bleach or abrasive cleaners.

- From time to time check that there are no loose screws on this unit.

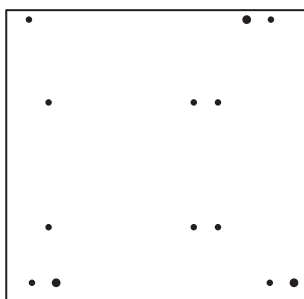
- This product should not be discarded with household waste. Take to your local authority waste disposal centre.

Note: If required the next page can be cut out and used as reference throughout the assembly. Keep this page with these instructions for future reference.

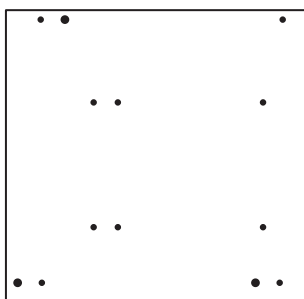
Components - Panels

If you have damaged or missing components, call the **Customer Helpline: 08456 400800** quoting the reference numbers below

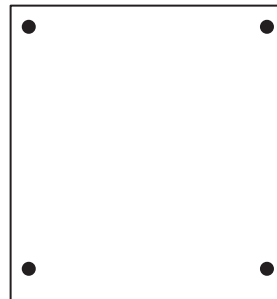
Please check you have all the panels listed below



1 Left Side (D2542A)
(388 x 396mm)



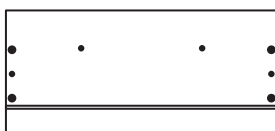
2 Right Side (D2543A)
(388 x 396mm)



3 Top (D2541A)
(363 x 394mm)



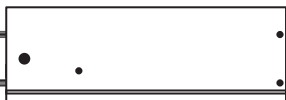
4 Rail (D2544A)
(363 x 78mm) x 2



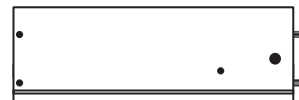
5 Drawer Front (D2545A)
(359 x 162mm) x 2



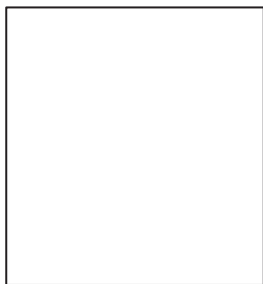
6 Drawer Back (W330-124)
(330 x 124mm) x 2



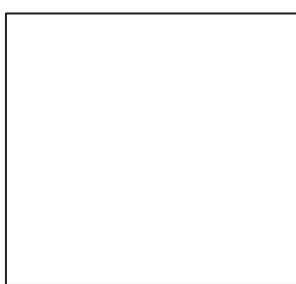
7 Left Drawer Side (W370-124LH)
(370 x 124mm) x 2



8 Right Drawer Side (W370-124RH)
(370 x 124mm) x 2



9 Drawer Base (T342-367)
(342 x 367mm) x 2



10 Back (X389-359)
(389 x 359mm)

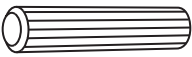
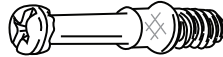




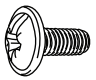

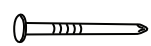
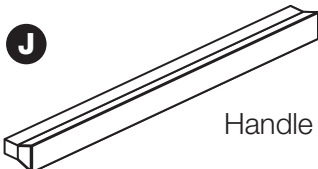





Components - Fittings

If you have damaged or missing components, call the **Customer Helpline: 08456 400800** quoting the reference numbers below

Please check you have all the fittings listed below

Note: The quantities below are the correct amount to complete the assembly. In some cases more fittings may be supplied than are required.

<p>A </p> <p>Wooden dowel (F22) x 6</p>	<p>B </p> <p>Metal dowel (F901) x 12</p>	<p>C </p> <p>Knock-in Peg (F171) x 8</p>
<p>D </p> <p>Large locking nut (F900) x 8</p>	<p>E </p> <p>Small locking nut (F3) x 4</p>	<p>F </p> <p>25mm Screw (F95) x 4</p>
<p>G </p> <p>9mm Screw (F74) x 4</p>	<p>H </p> <p>9mm Screw (F73) x 8</p>	<p>I </p> <p>Nail (F51) x 10</p>
<p>J </p> <p>Handle (F315) x 2</p>	<p>K </p> <p>Drawer runner (F1004) x 4</p>	
<p>L </p> <p>Wedgex (F639) x 4</p>	<p>M </p> <p>Plastic Nail (F91) x 4</p>	

Tools required



Rule



Cross-head screwdriver



Scissors



Hammer

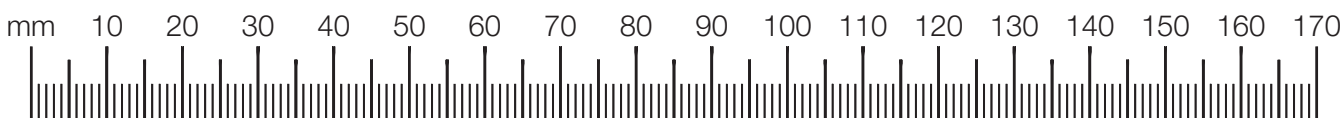


Eye protection
(when using a hammer or drill)



Electric drill
(do not use for fitting screws)

Ruler - Use this ruler to help correctly identify the screws



Assembly Instructions

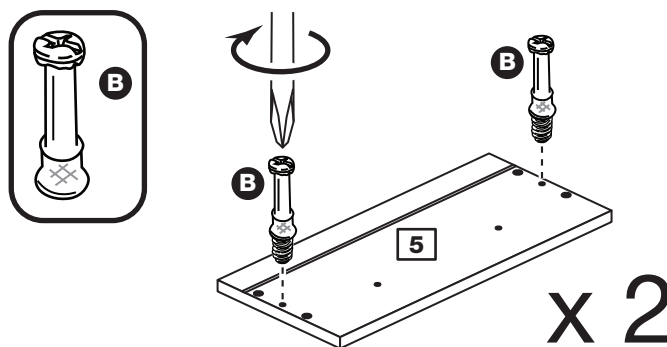
If you have damaged or missing components, call the
Customer Helpline: 08456 400800 quoting the reference
numbers below

Step 1

Prepare the drawer fronts

Screw 2 metal dowels **B** into the holes shown on the back of each drawer front **5**.

Note: Tighten the metal dowels up fully against the panels.



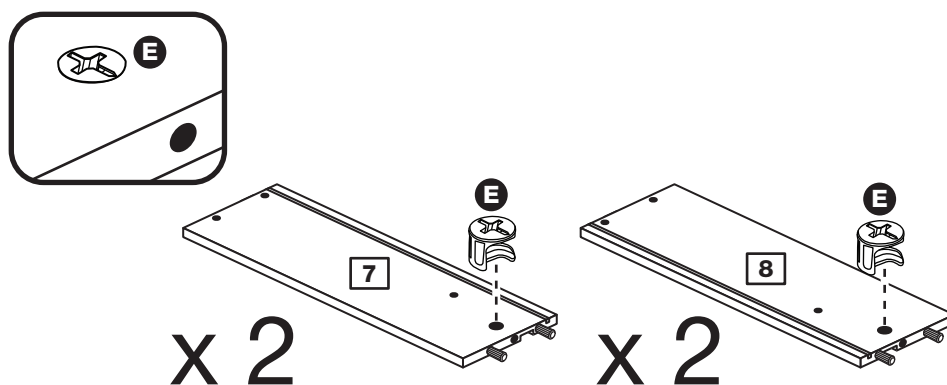
Step 2

Prepare the drawer sides

Insert a small locking nut **E** into the hole shown on the left drawer side **7** and right drawer side **8**.

Note: Arrow on locking nut **must** point towards hole in edge of panel.

Note: Due to the manufacturing process, the holes for the locking nut can be on either surface of the drawer sides.



Step 3

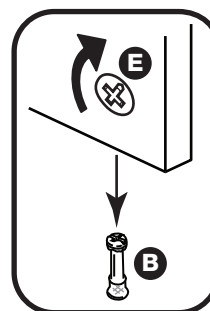
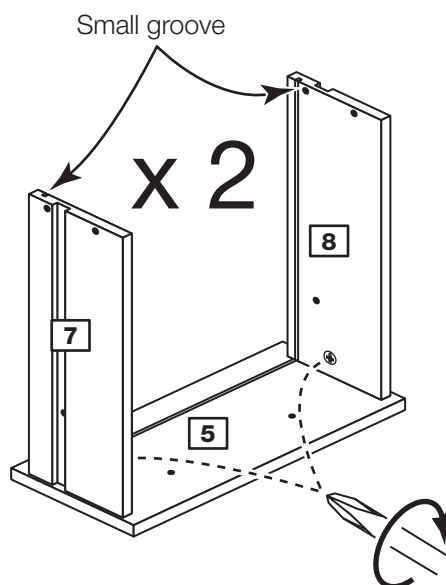
Attach the drawer sides to the drawer front

Push the left drawer side **7** and right drawer side **8** onto the back of the drawer front **5**.

Turn the small locking nuts **E** on the left drawer side **7** and right drawer side **8**.

Note: Turn the locking nuts **E** clockwise to secure panels - more than 1/2 a turn.

Note: The locking nuts can be on either surface of the drawer sides. Make sure that the small groove is on the inside, as shown.

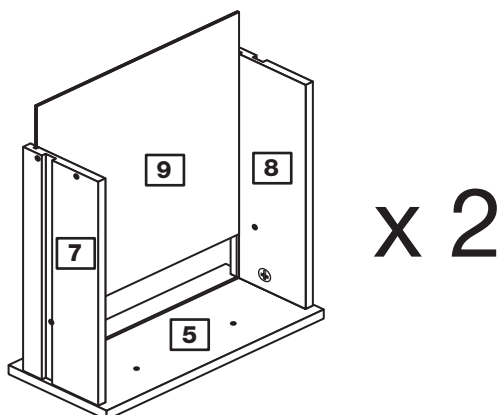


Assembly Instructions

Step 4

Fit the drawer base

Slide the drawer base **9** down the grooves in the drawer sides **7** and **8** and down into the groove in the drawer front **5**.



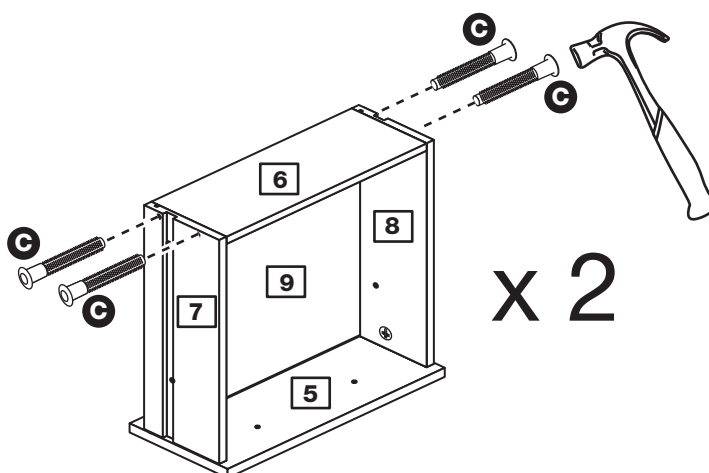
Step 5

Fit the drawer back

Fit the drawer back **6** down onto the drawer base **9**.

Make sure that the drawer base **9** fits into the groove in the drawer back **6**.

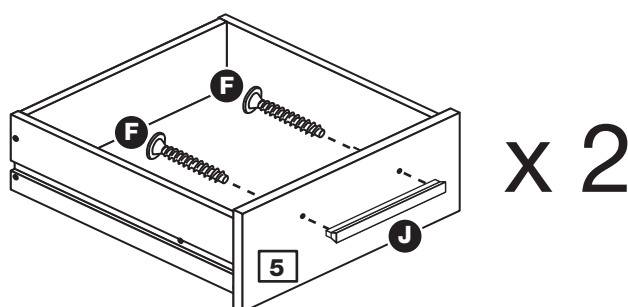
Hold the drawer back **6** in position and tap the knock-in pegs **C** through the holes in the drawer sides **7** and **8**.



Step 6

Attach the handle

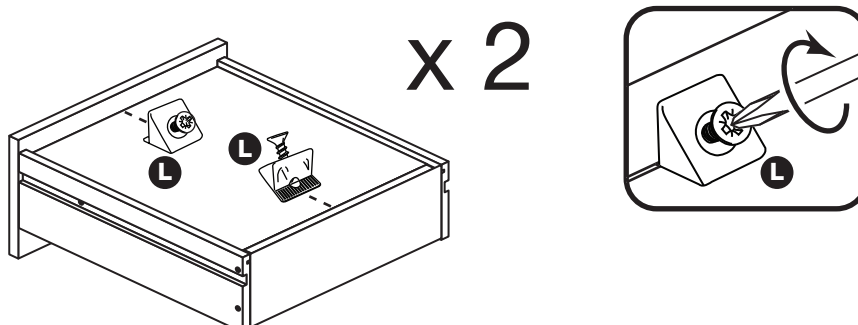
Attach a handle **J** to each drawer front **5** using 2 screws **F**.



Step 7

Fit the wedgifixes

Turn the drawer assemblies over and slide 2 wedgifixes **L** into the front and back grooves, as shown, and tighten up the screws.



Assembly Instructions

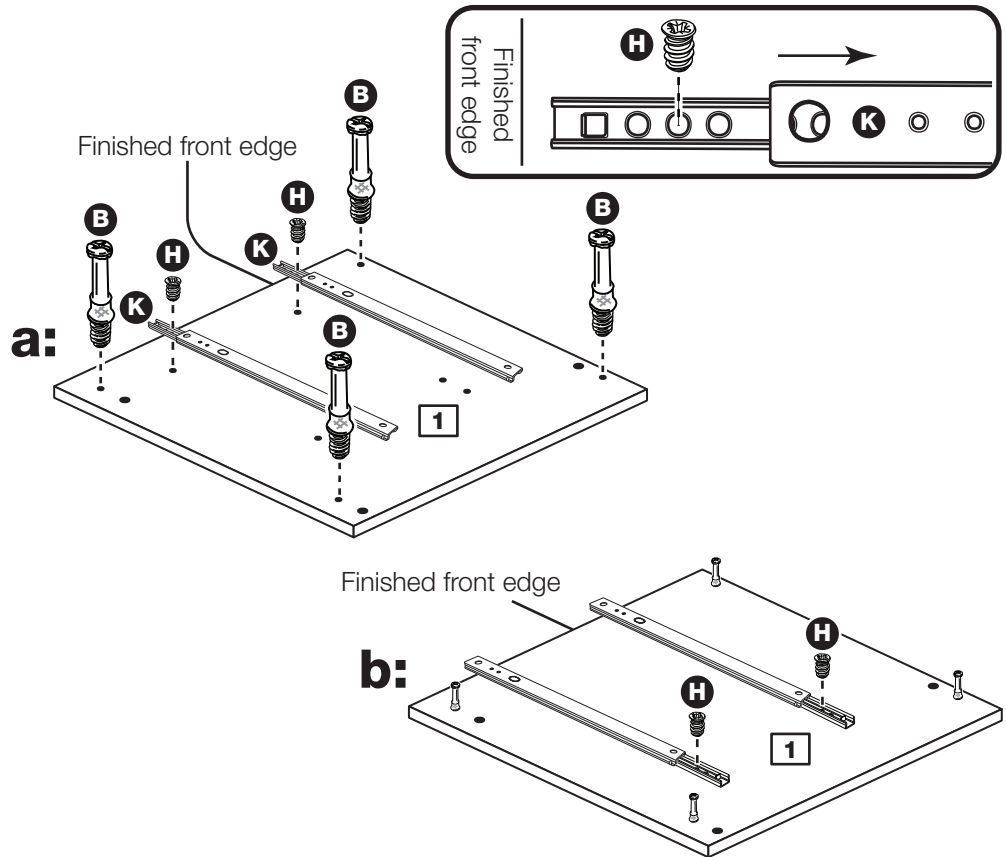
Step 7

Prepare the left side

a: Place 2 runners **K** on the left side **1**. Slide back the top of the runner and use the 2nd hole from the front to fit the 1st screw **H**.

Screw 4 metal dowels **B** into the left side **1**.

b: Slide the runner **K** back the other way and fit the 2nd screw **H** into the corresponding hole in the left side **1**.



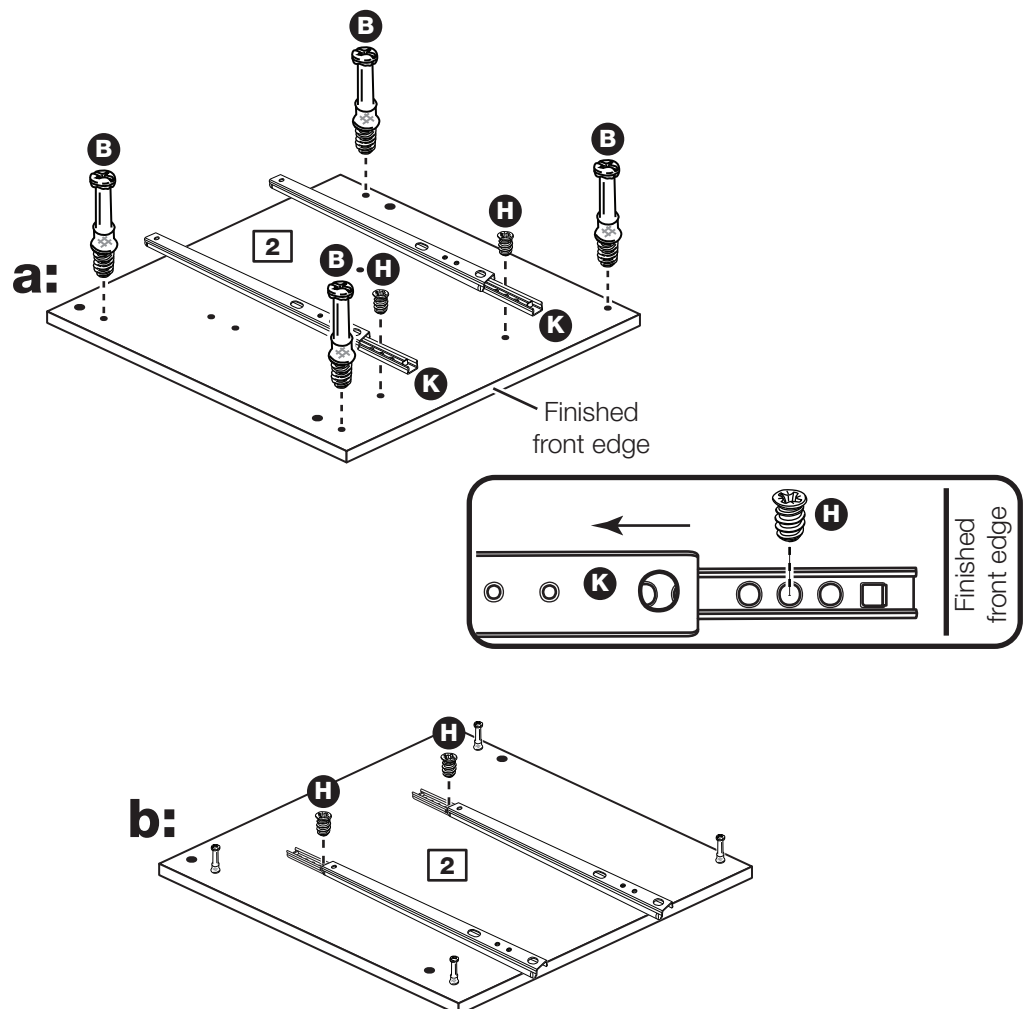
Step 8

Prepare the right side

a: Place 2 runners **K** on the right side **2**. Slide back the top of the runner and use the 2nd hole from the front to fit the 1st screw **H**.

Screw 4 metal dowels **B** into the right side **2**.

b: Slide the runner **K** back the other way and fit the 2nd screw **H** into the corresponding hole in the right side **2**.



Assembly Instructions

Step 9

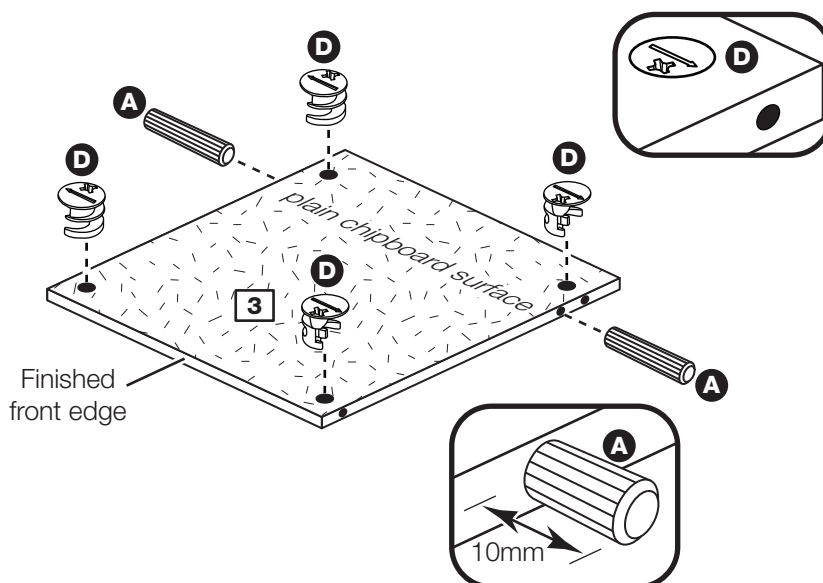
Prepare the top

Tap 2 wooden dowels **A** into the top **3**.

Note: Wooden dowels **must not** stick out from the edge by more than 10mm or they may damage other panels.

Insert 4 large locking nuts **D** into the top **3**.

Note: The arrow on the locking nut **must** point towards the hole in the edge of the panel.



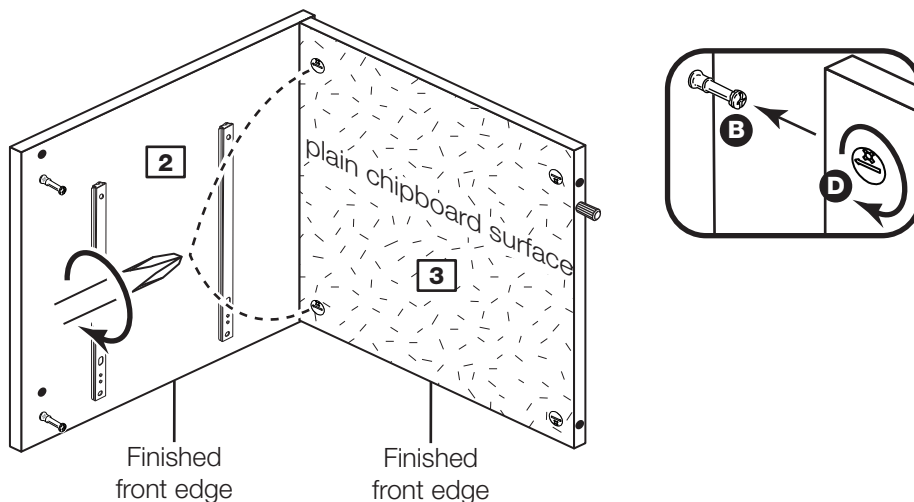
Step 10

Fit the top to the right side

Push the top **3** onto the right side **2**.

Use a screwdriver to tighten the 2 large locking nuts **D** fitted to the top **3**.

Note: Turn the large locking nuts **D** as far as they will go - more than 1/2 a turn.

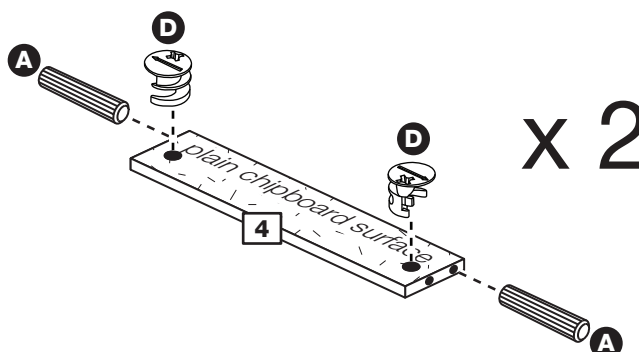


Step 11

Prepare the 2 rails

Tap 2 wooden dowels **A** into each of the 2 rails **4**.

Insert 2 large locking nuts **D** into each of the 2 rails **4**.



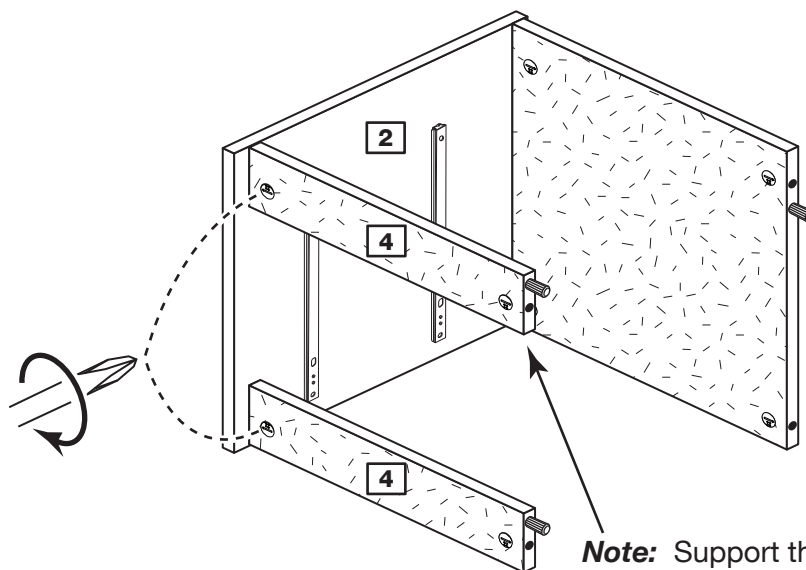
Assembly Instructions

Step 12

Fit the 2 rails

Push the 2 rails **4** onto the right side **2**.

Use a screwdriver to tighten the large locking nut **D** fitted to each of the 2 rails **4**.



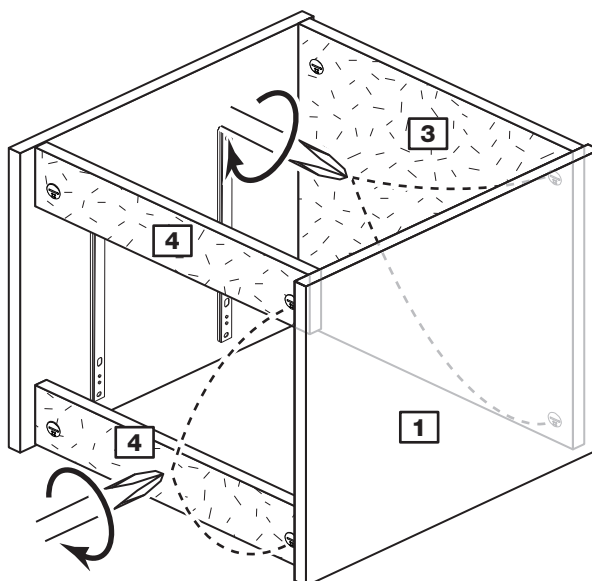
Note: Support this rail until the left side has been fitted in the next step.

Step 13

Fit the left side

Push the left side **1** onto the assembly.

Use a screwdriver to tighten the 4 large locking nuts **D** fitted to the top **3** and the 2 rails **4**.



Assembly Instructions

Step 14

Fit the back and plastic nails

a: Square up the unit by making sure that measurement **x** to **x** equals **y** to **y**.

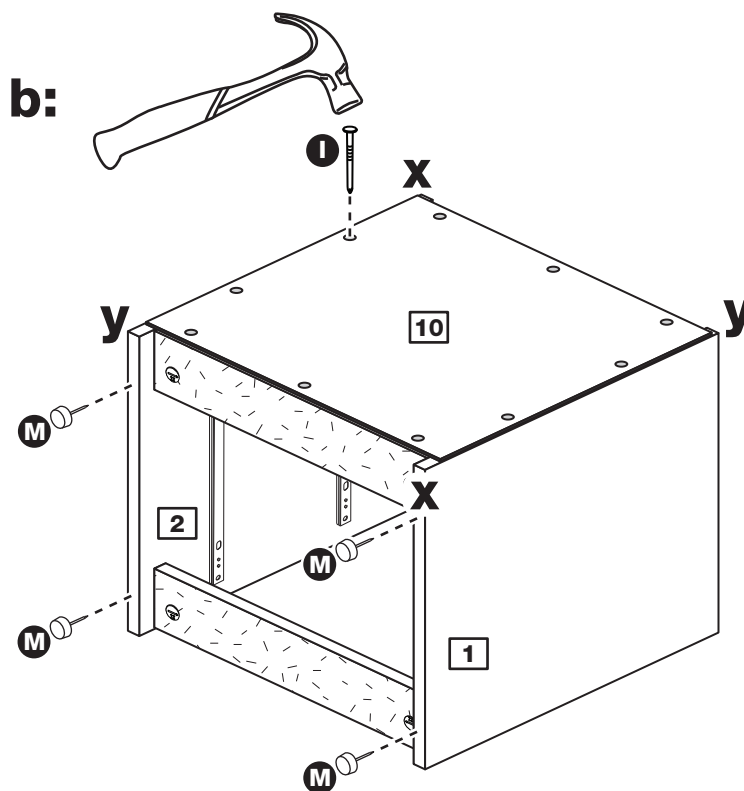
b: Place the back **10** onto the unit. Nail **1** around the outside edges of the back **10**.

Note: Nails should be spaced about 150mm apart.

Tap 2 plastic nails **M** into the bottom edge of each of the sides **1** and **2**.

Stand the unit up for the next step.

a: The measurement from top corner X to bottom corner X must be equal to the measurement from top corner Y to bottom corner Y



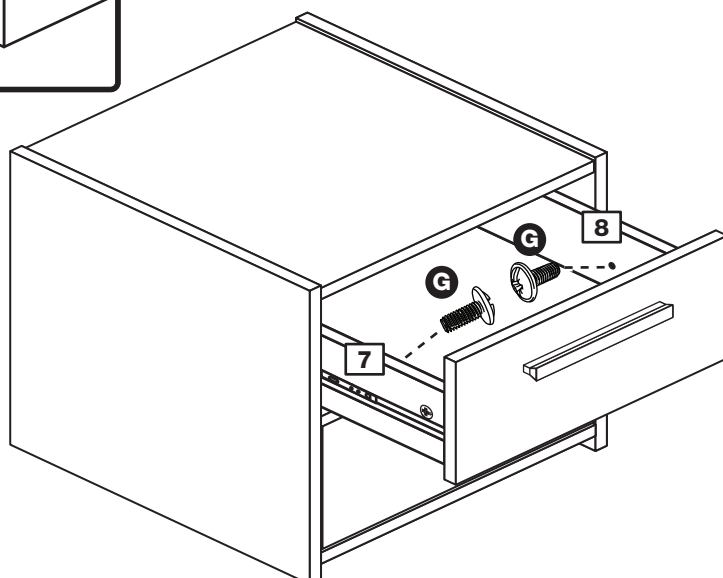
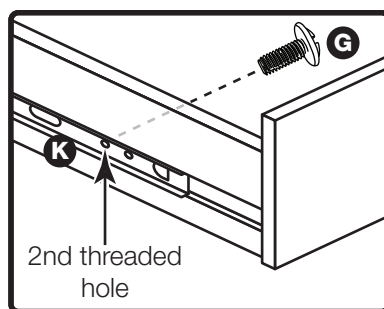
Step 15

Fit the drawers

Starting with the bottom drawer, slide both the runners **K** forward and locate the drawer sides **7** and **8** between them, lining up the holes in the drawer wrap with the 2nd 'threaded' holes in the runners **K**.

Working from the inside of the drawer, insert 2 screws **G** through the sides and out into the 2nd threaded hole in the runner.

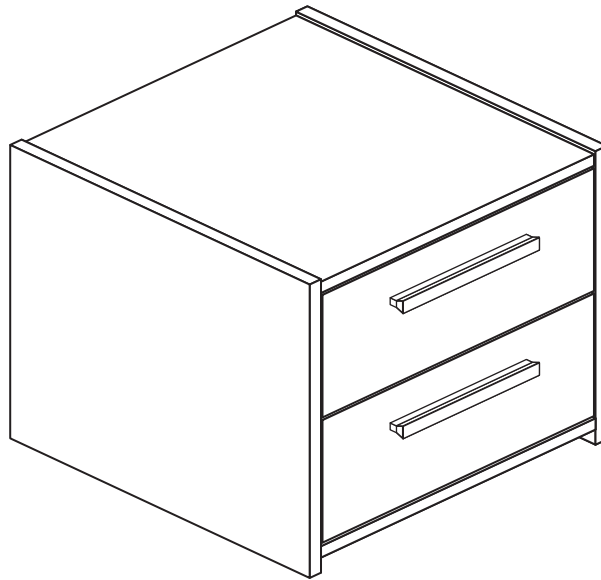
Note: Do not over-tighten the screws **G. If they catch on the runner you may need to loosen them slightly.**



Assembly Instructions

Step 16

Assembly is complete



If you need help or have damaged or missing parts, call the **Customer Helpline: 08456 400800** and quote the reference numbers on the component pages.

Argos Ltd, 489-499 Avebury Boulevard, Central Milton Keynes, MK9 2NW

New Sywell - 4 Drawer 3 Door Robe

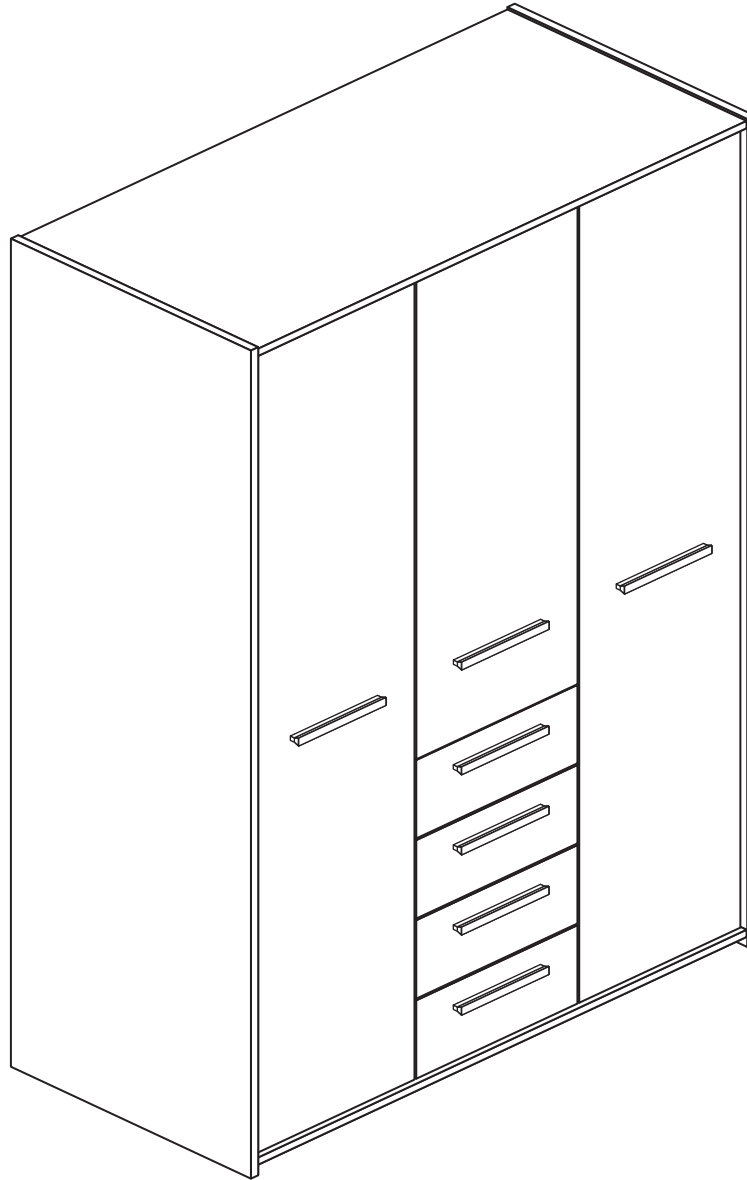
Assembly Instructions - Please keep for future reference

282/7023

278/9130

258/1376

281/6096



Dimensions

Width - 104cm

Depth - 49.5cm

Height - 171cm



**MADE IN
BRITAIN**

Important - Please read these instructions fully before starting assembly

If you need help or have damaged or missing parts, call the **Customer Helpline: 08456 400800**



Safety and Care Advice

Important - Please read these instructions fully before starting assembly

- **Warning:** This unit weighs approximately 73kgs. Please lift with care.
- Check you have all the components and tools listed on pages 1, 2 and 3.
- Remove all fittings from the plastic bags and separate them into their groups.
- Keep children and animals away from the work area, small parts could choke if swallowed.
- Parts of the assembly will be easier with 2 people.

- Make sure you have enough space to layout the parts before starting.
- Do not stand or put weight on the product, this could cause damage.
- Assemble the item as close to its final position (in the same room) as possible.
- Assemble on a soft level surface to avoid damaging the unit or your floor (use opened out unit carton).



• We do not recommend the use of power drill/drivers **for inserting screws**, as this could damage the unit. Only use hand screwdrivers.

• **Safety note:** It is recommended that this unit is secured to a wall using the bracket supplied.

• Dispose of all packaging carefully and responsibly.

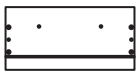
Care and maintenance

- Only clean using a damp cloth and mild detergent, do not use bleach or abrasive cleaners.
- From time to time check that there are no loose screws on this unit.
- This product should not be discarded with household waste. Take to your local authority waste disposal centre.

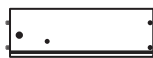
Components - Panels

If you have damaged or missing components, call the **Customer Helpline: 08456 400800** quoting the reference numbers below

Please check you have all the panels listed below



1 Drawer Front (D2575A)
(333 x 162mm) x 4



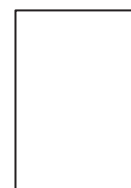
4 Left Drawer Side (W370-124LH)
(370 x 124mm) x 4



2 Drawer Back (W304-124)
(304 x 124mm) x 4



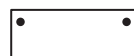
5 Right Drawer Side (W370-124RH)
(370 x 124mm) x 4



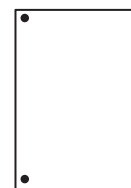
7 Shelf (D2574A)
(322 x 468mm) x 3



3 Drawer Base (T315-367)
(315 x 367mm) x 4



6 Rail (D2598A)
(322 x 125mm)

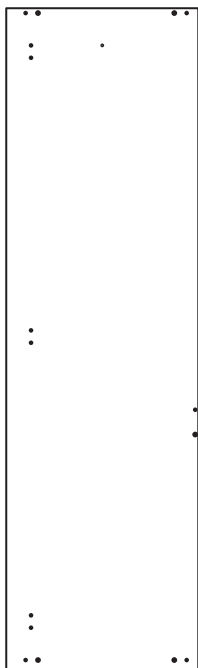


8 Horizontal (D2573A)
(337 x 467mm)

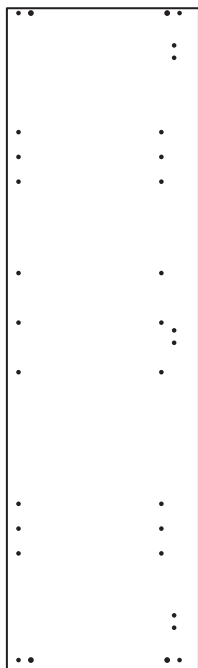
Components - Panels

If you have damaged or missing components, call the **Customer Helpline: 08456 400800** quoting the reference numbers below

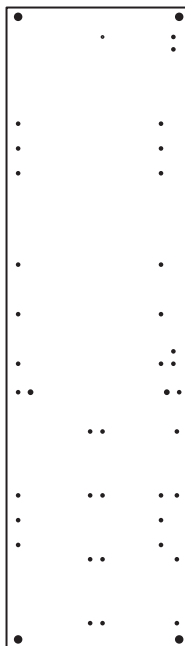
Please check you have all the panels listed below



9 Left Side (D2560A)
(1711 x 496mm)



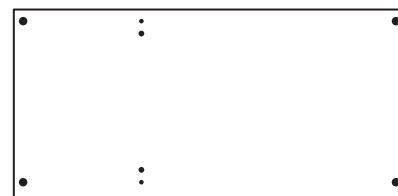
10 Right Side (D2569A)
(1711 x 496mm)



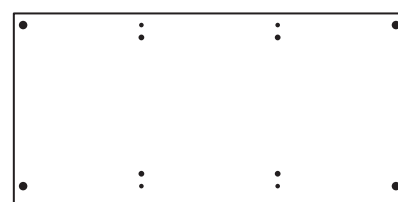
11 Upright (D2571A)
(1656 x 468mm)



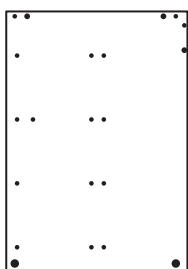
12 Hanging Rail (FHR666)
(666mm long)



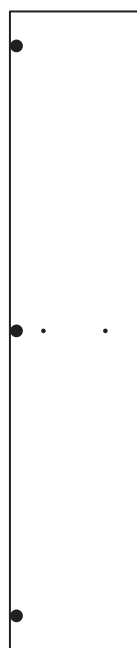
13 Top (D2568A)
(1011 x 494mm)



14 Base (D2570A)
(1011 x 494mm)



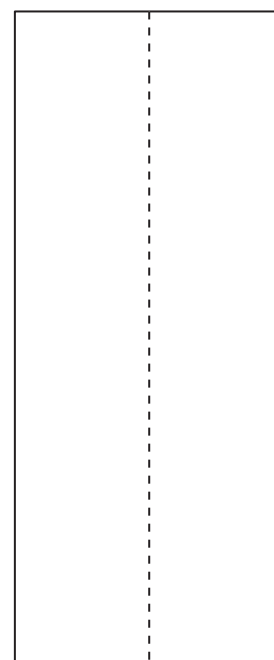
15 Divider (D2572A)
(675 x 468mm)



17 Large Door (D2563A)
(1650 x 333mm) x 2



18 Small Back (X1682-340)
(1682 x 340mm)



19 Large Back (X1682-694)
(1682 x 694mm)



16 Centre Door (D2576A)
(990 x 333mm)


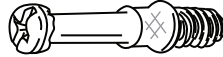








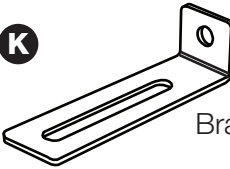
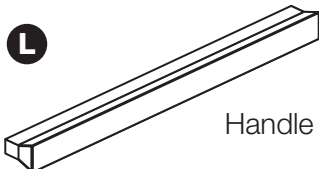
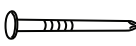
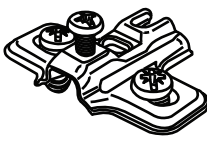
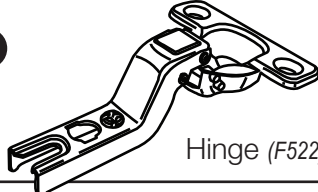


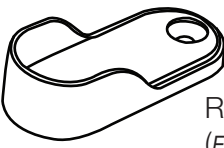

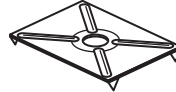

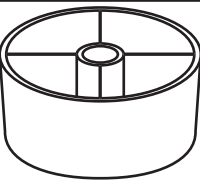




Components - Fittings

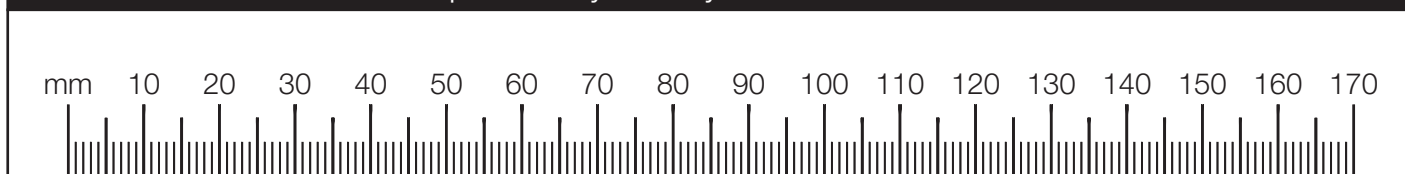
If you have damaged or missing components, call the **Customer Helpline: 08456 400800** quoting the reference numbers below

Please check you have all the fittings listed below

Note: The quantities below are the correct amount to complete the assembly. In some cases more fittings may be supplied than are required.

<p>A </p> <p>Wooden dowel (F22) x 20</p>	<p>B </p> <p>Metal dowel (F901) x 28</p>	<p>C </p> <p>25mm Screw (F50) x 1</p>	
<p>D </p> <p>Large locking nut (F900) x 20</p>	<p>E </p> <p>Small locking nut (F3) x 8</p>	<p>F </p> <p>25mm Screw (F95) x 14</p>	
<p>G </p> <p>13mm Screw (F79) x 1</p>	<p>H </p> <p>9mm Screw (F74) x 8</p>	<p>I </p> <p>9mm Screw (F73) x 16</p>	
<p>J </p> <p>13mm Screw (F63) x 20</p>	<p>K </p> <p>Bracket (F327) x 1</p>	<p>L </p> <p>Handle (F315) x 7</p>	
<p>M </p> <p>Nail (F51) x 37</p>	<p>N </p> <p>Hinge plate (F523) x 8</p>	<p>O </p> <p>Hinge (F522) x 8</p>	
<p>P </p> <p>Drawer runner (F1004) x 8</p>		<p>Q </p> <p>Shelf stud (F110) x 12</p>	
<p>R </p> <p>Rail Holder (F891) x 2</p>	<p>S </p> <p>Nail screw (F277) x 5</p>	<p>T </p> <p>Back holder (F276) x 5</p>	<p>← These can also be round</p>
<p>U </p> <p>Knock-in Peg (F171) x 16</p>	<p>V </p> <p>Foot (F854) x 1</p>	<p>W </p> <p>Wedgefix (F639) x 8</p>	<p>X </p> <p>Plastic Nail (F91) x 4</p>

Ruler - Use this ruler to help correctly identify the screws



Assembly Instructions

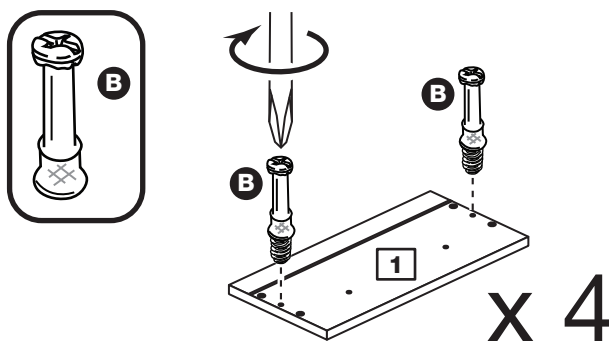
If you have damaged or missing components, call the
Customer Helpline: 08456 400800 quoting the reference
numbers below

Step 1

Prepare the 4 drawer fronts

Screw 2 metal dowels **B** into the holes shown on the back of each drawer front **1**.

Note: Tighten the metal dowels up fully against the panels.

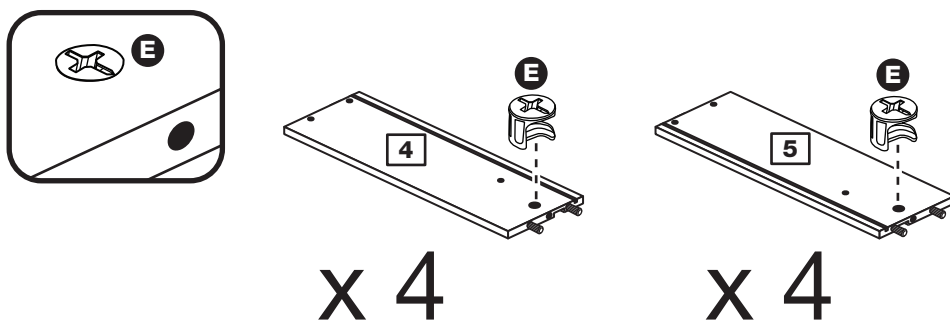


Step 2

Prepare the drawer sides

Insert a small locking nut **E** into the hole shown on the left drawer side **4** and right drawer side **5**.

Note: Arrow on locking nut **must** point towards hole in edge of panel.



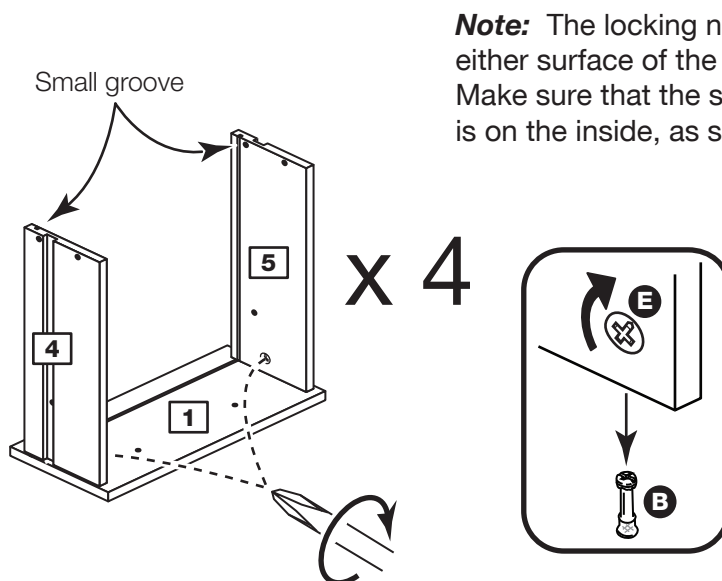
Step 3

Attach the drawer sides to the drawer front

Push the left drawer side **4** and right drawer side **5** onto the back of the drawer front **1**.

Turn the small locking nuts **E** on the left drawer side **4** and right drawer side **5**.

Note: Turn the locking nuts **E** clockwise to secure panels - more than 1/2 a turn.



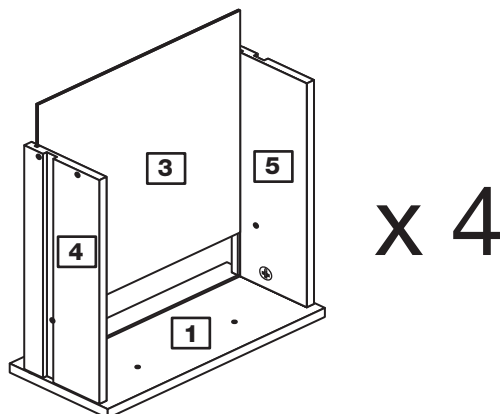
Note: The locking nuts can be on either surface of the drawer sides. Make sure that the small groove is on the inside, as shown.

Assembly Instructions

Step 4

Fit the drawer base

Slide the drawer base **3** down the grooves in the drawer sides **4** and **5** and down into the groove in the drawer front **1**.



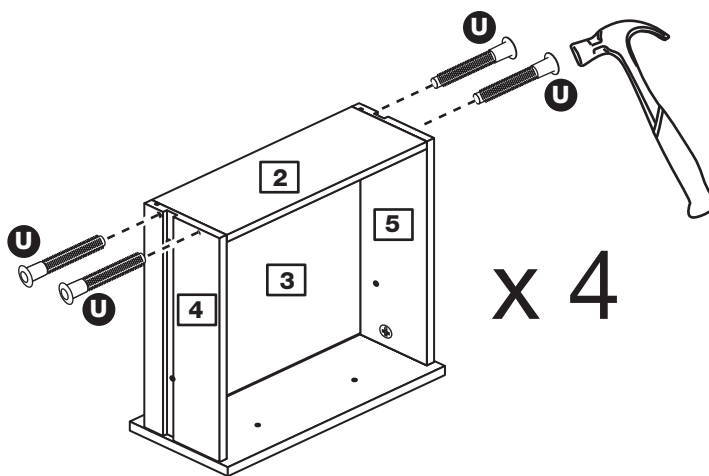
Step 5

Fit the drawer back

Fit the drawer back **2** down onto the drawer base **3**.

Make sure that the drawer base **3** fits into the groove in the drawer back **2**.

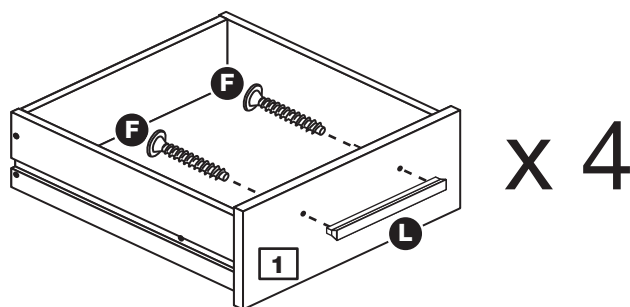
Hold the drawer back **2** in position and tap the knock-in pegs **U** through the holes in the drawer sides **4** and **5**.



Step 6

Attach the handles

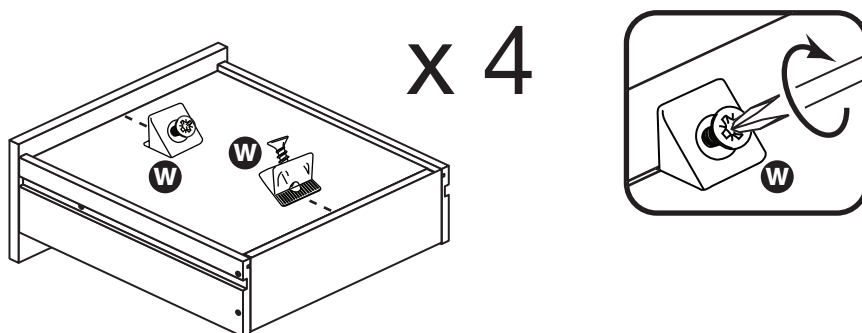
Attach a handle **L** to each drawer front **1** using 2 screws **F**.



Step 7

Fit the wedgifixes

Turn the drawer assemblies over and slide 2 wedgifixes **W** into the front and back grooves, as shown, and tighten up the screws.



Assembly Instructions

Step 8

Prepare the upright

a: Place 4 runners **P** on the upright **11**. Slide back the top of the runner and use the 2nd hole from the front to fit the 1st screw **I**.

To fit the rail holder **R**, screw through the top hole with screw **J** and into the mark hole drilled in the upright **11**. Make sure that it is fitted straight, in line with the panel edges and then fit another screw **J** using the lower hole.

b: Slide the runner **P** back the other way and fit the 2nd screw **I** into the corresponding hole in the upright **11**.

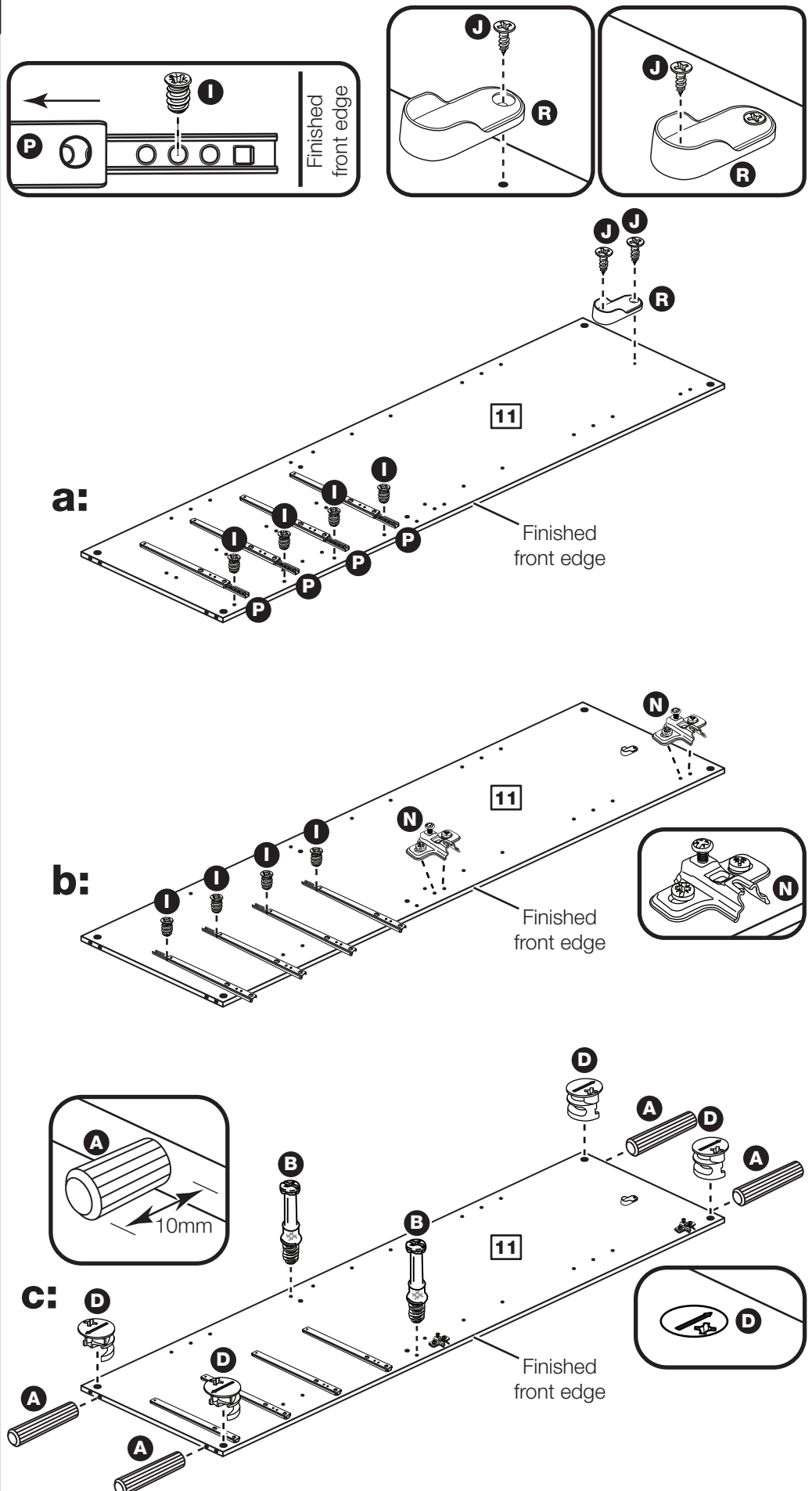
Fit 2 hinge plates **N** onto the upright **11**, making sure that the slot is facing towards the finished front edge.

c: Tap 4 wooden dowels **A** into the upright **11**.

Screw 2 metal dowels **B** into the upright **11**.

Insert 4 large locking nuts **D** into the upright **11**.

Note: The arrow on the locking nut **must** point towards the hole in the edge of the panel.



Assembly Instructions

Step 9

Prepare the divider

a: Place 4 runners **P** on the divider **15**. Slide back the top of the runner and use the 2nd hole from the front to fit the 1st screw **I**.

b: Slide the runner **P** back the other way and fit the 2nd screw **I** into the corresponding hole in the divider **15**.

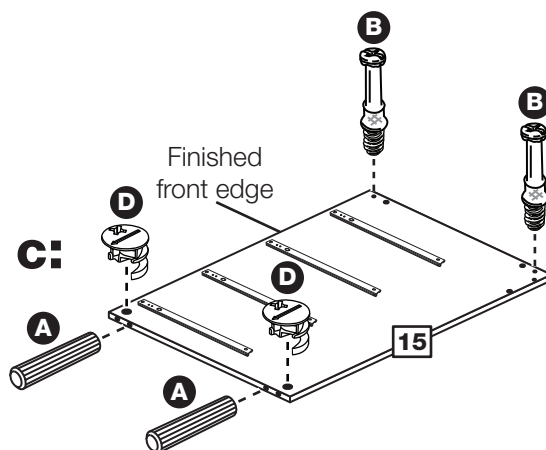
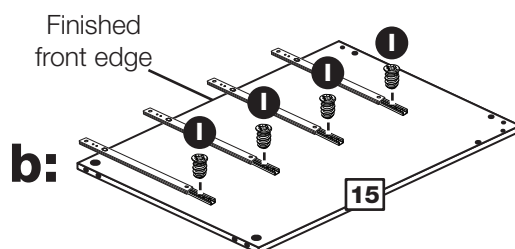
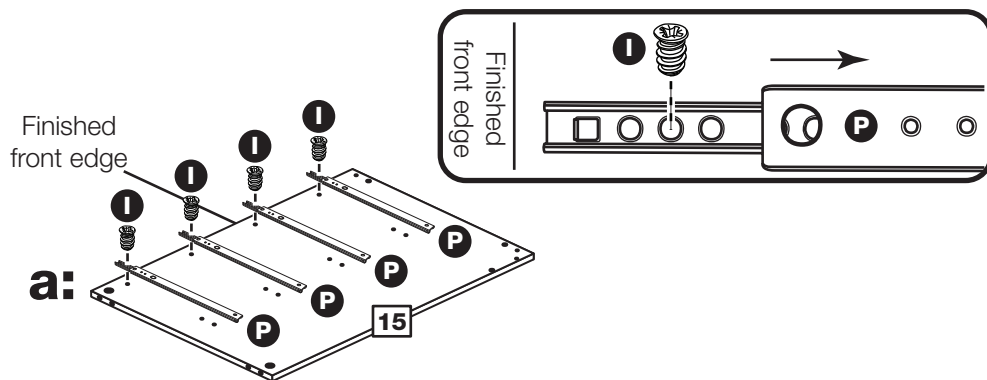
c: Tap 2 wooden dowels **A** into the divider **15**.

Screw 2 metal dowels **B** into the divider **15**.

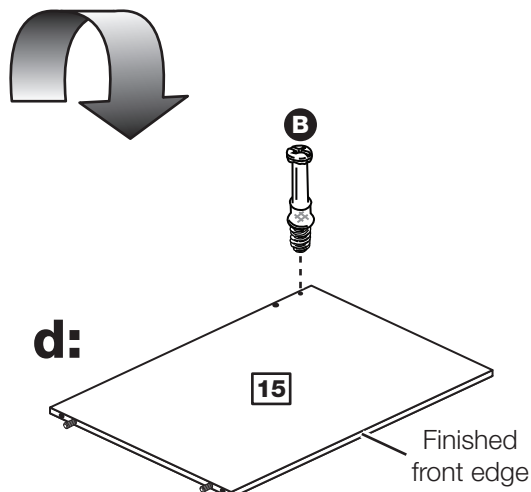
Insert 2 large locking nuts **D** into the divider **15**.

Turn the divider over

d: Screw a metal dowel **B** into the divider **15**.



Turn the divider over



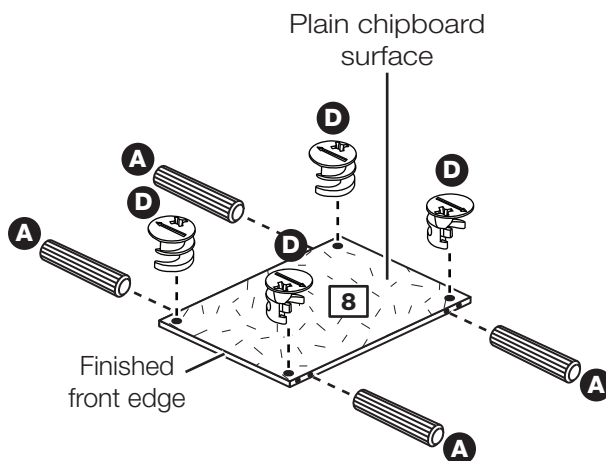
Assembly Instructions

Step 10

Prepare the horizontal

Tap 4 wooden dowels **A** into the horizontal **8**.

Insert 4 large locking nuts **D** into the horizontal **8**.



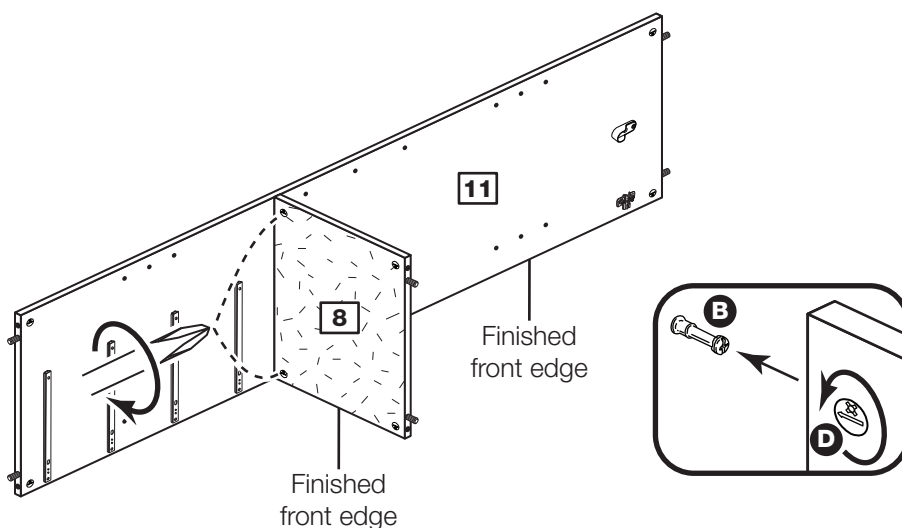
Step 11

Fit the horizontal to the upright

Push the horizontal **8** onto the upright **11**.

Use a screwdriver to tighten the 2 large locking nuts **D** fitted to the horizontal **11**.

Note: Turn the large locking nuts **D** as far as they will go - more than 1/2 a turn.

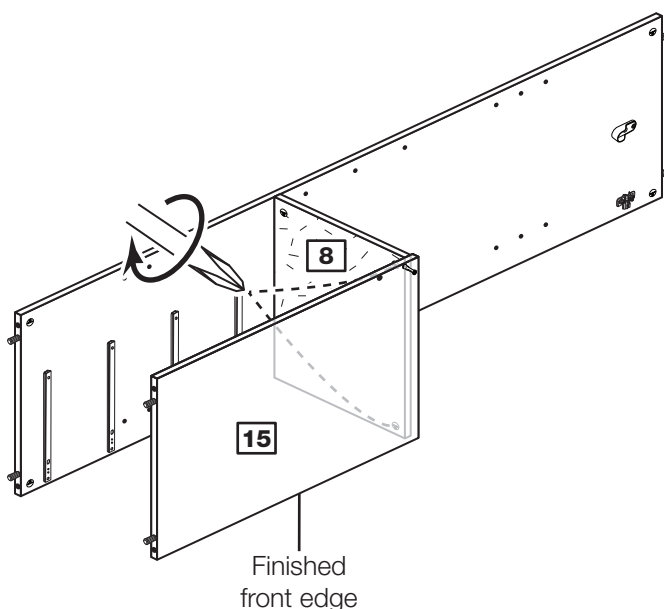


Step 12

Fit the divider to the horizontal

Push the divider **15** onto the horizontal **8**.

Use a screwdriver to tighten the 2 large locking nuts **D** fitted to the horizontal **8**.



Assembly Instructions

Step 13

Prepare the base

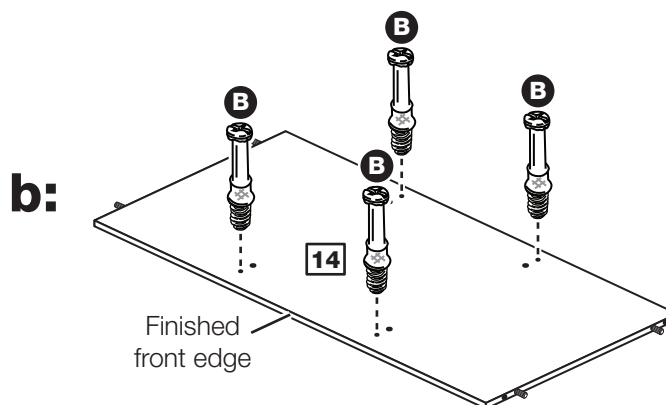
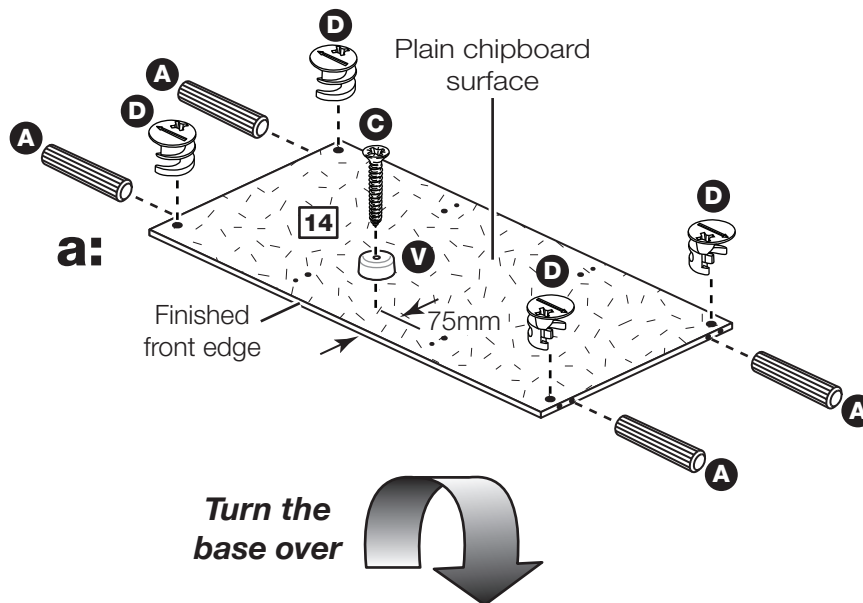
a: Tap 4 wooden dowels **A** into the base **14**.

Insert 4 large locking nuts **D** into the base **14**.

Screw the foot **V** into the middle of the base **14**, 75mm in from the front edge using screw **C**.

Turn the base over

b: Screw 4 metal dowels **B** into the base **14**.

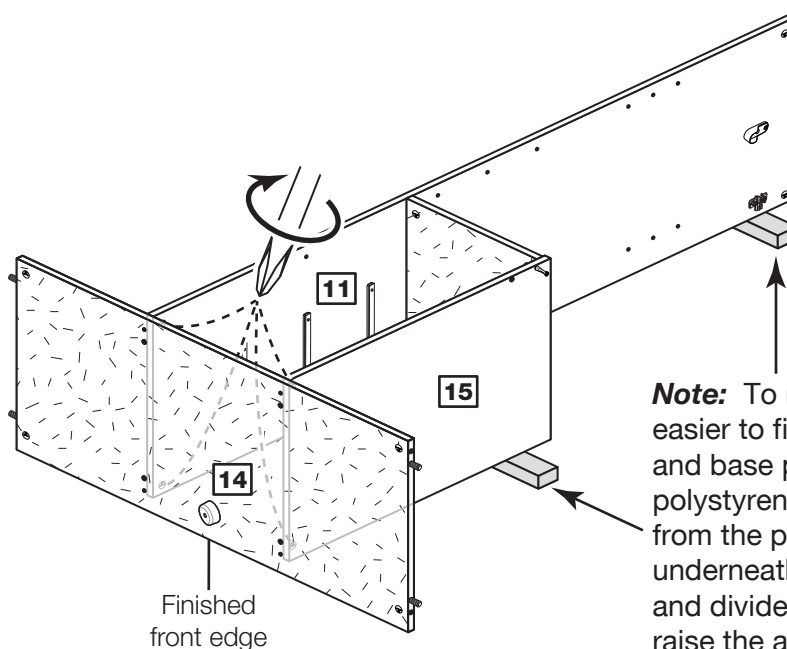


Step 14

Fit the base

Push the base **14** onto the upright **11** and divider **15**.

Use a screwdriver to tighten the 4 large locking nuts **D** fitted to the upright **11** and the divider **15**.



Note: To make it easier to fit the top and base panels, place polystyrene blocks from the packaging underneath the upright and divider panels to raise the assembly.

Assembly Instructions

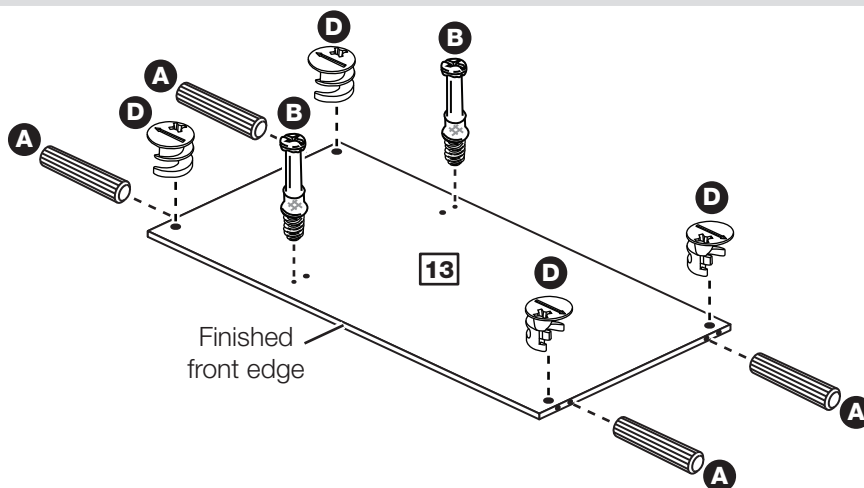
Step 15

Prepare the top

a: Tap 4 wooden dowels **A** into the top **13**.

Insert 4 large locking nuts **D** into the top **13**.

Screw 2 metal dowels **B** into the top **13**.

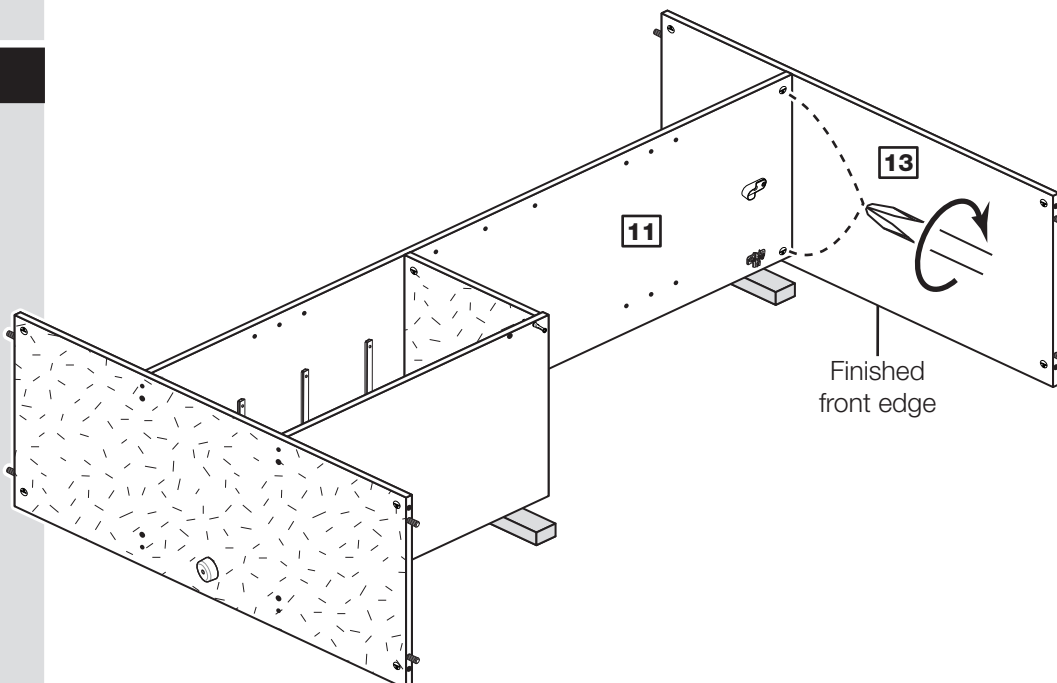


Step 16

Fit the top

Push the top **13** onto the upright **11**.

Use a screwdriver to tighten the 2 large locking nuts **D** fitted to the upright **11**.

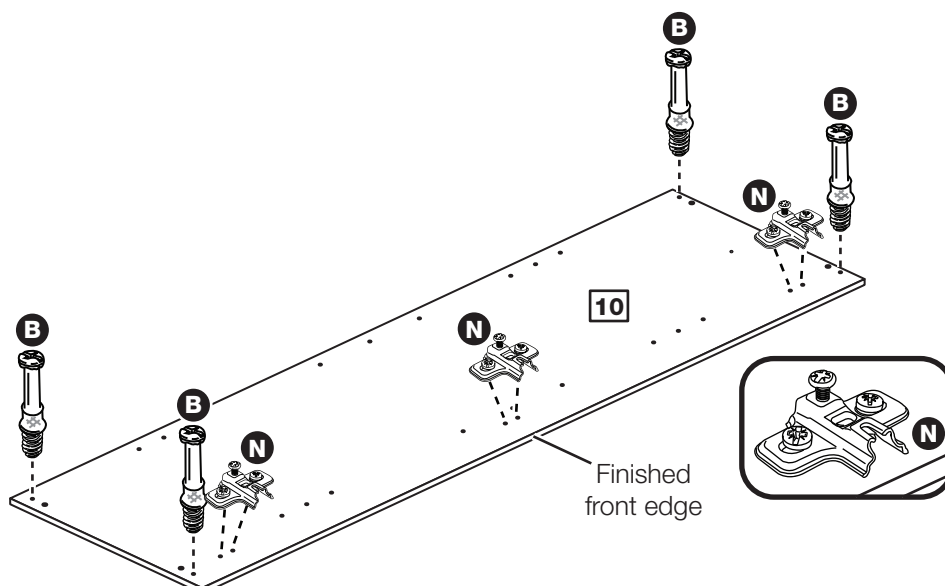


Step 17

Prepare the right side

Screw 4 metal dowels **B** into the right side **10**.

Fit 3 hinge plates **N** onto the right side **10**, making sure that the slot is facing towards the finished front edge.



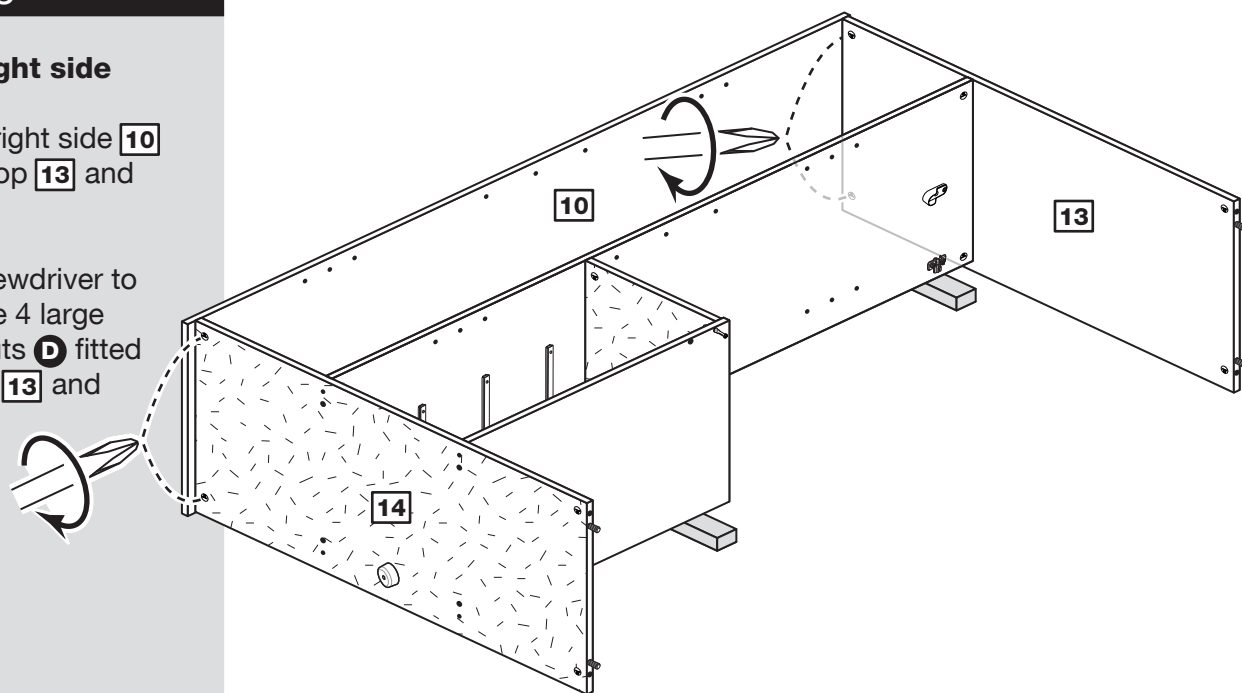
Assembly Instructions

Step 18

Fit the right side

Push the right side **10** onto the top **13** and base **14**.

Use a screwdriver to tighten the 4 large locking nuts **D** fitted to the top **13** and base **14**.



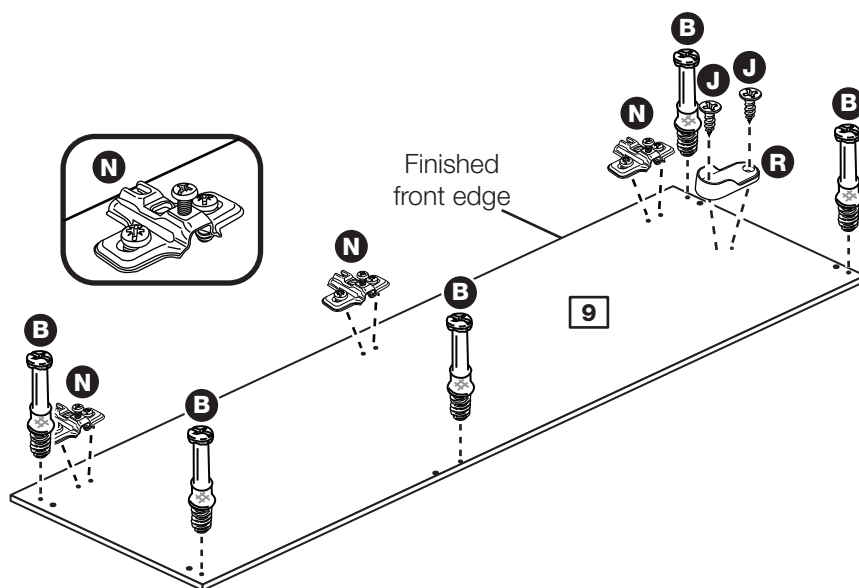
Step 19

Prepare the left side

Screw 5 metal dowels **B** into the left side **9**.

Fit 3 hinge plates **N** onto the left side **9**, making sure that the slot is facing towards the finished front edge.

To fit the rail holder **R**, screw through the top hole with screw **J** and into the mark hole drilled in the left side **9**. Make sure that it is fitted straight, in line with the panel edges and then fit another screw **J** using the lower hole.



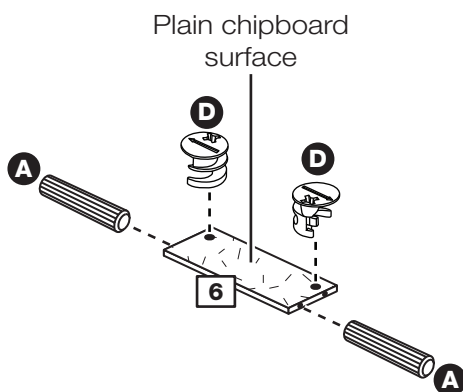
Assembly Instructions

Step 20

Prepare the rail

Tap 2 wooden dowels **A** into the rail **6**.

Insert 2 large locking nuts **D** into the rail **6**.

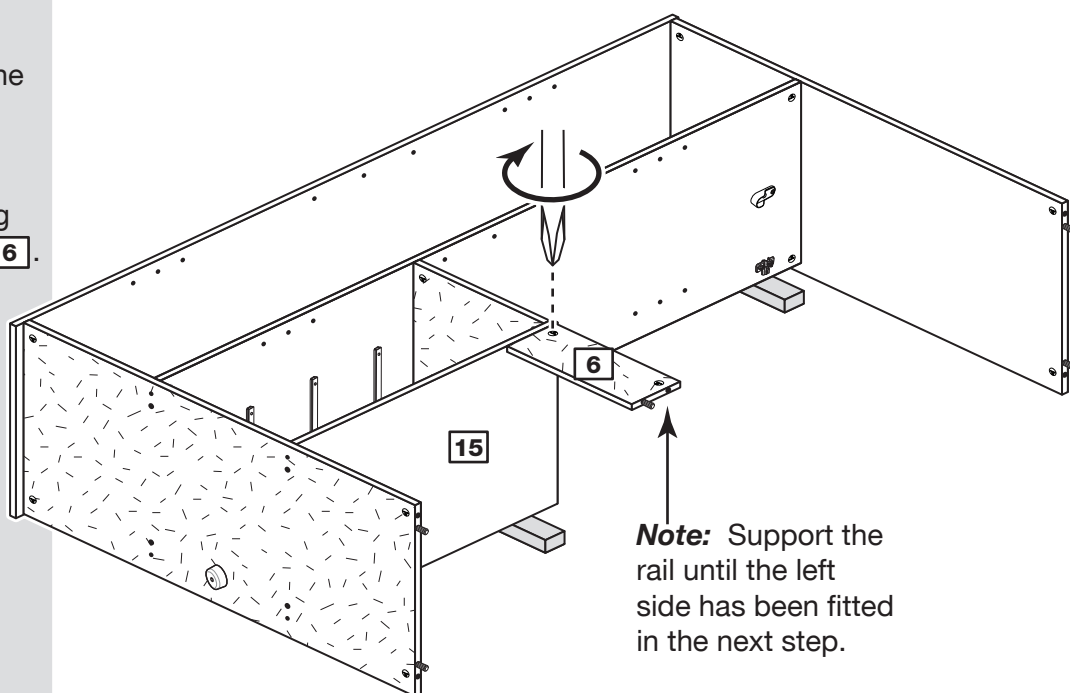


Step 21

Fit the rail

Push the rail **6** onto the divider **15**.

Use a screwdriver to tighten the large locking nut **D** fitted to the rail **6**.



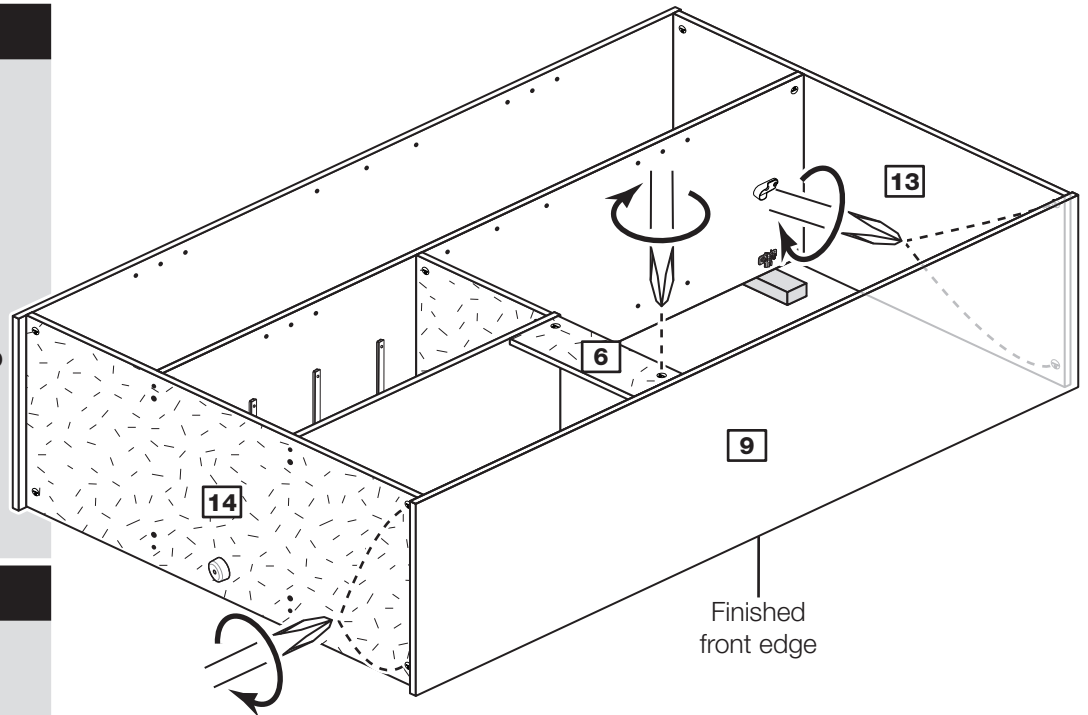
Assembly Instructions

Step 22

Fit the left side

Push the left side **9** onto the assembly.

Use a screwdriver to tighten the 5 large locking nuts **D** fitted to the top **13**, base **14** and rail **6**.



Step 23

Fit the back panels

a: Square up the unit by making sure that measurement **x:x** equals **y:y**.

Place the small back **18** and large back **19** down onto the unit as shown.

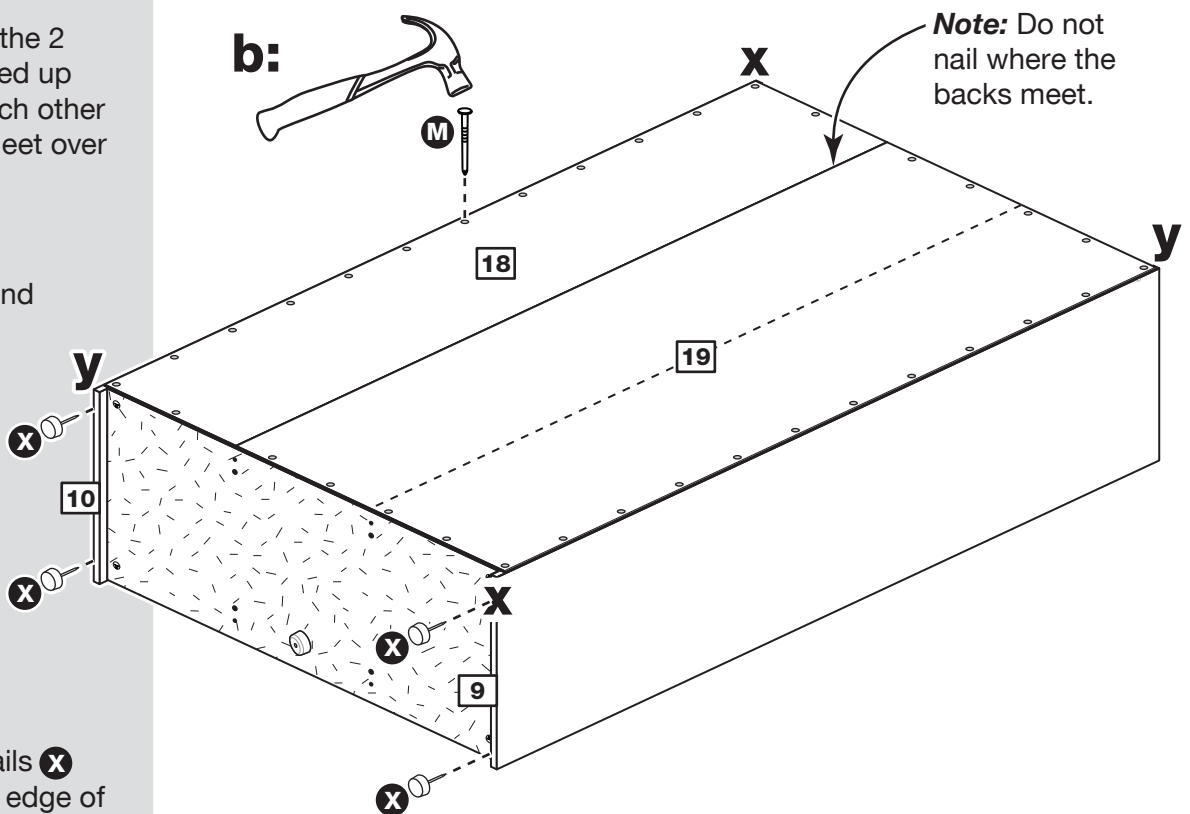
Make sure that the 2 backs are pushed up tight against each other and that they meet over the back edge of the upright.

b: Nail **M** around the outside edges of the 2 backs.

Note: Do not nail where the backs meet. Nails should be spaced about 150mm apart.

Tap 2 plastic nails **X** into the bottom edge of each of the sides **9** and **10**.

a: The measurement from top corner X to bottom corner X must be equal to the measurement from top corner Y to bottom corner Y



Assembly Instructions

Step 24

Secure the backs

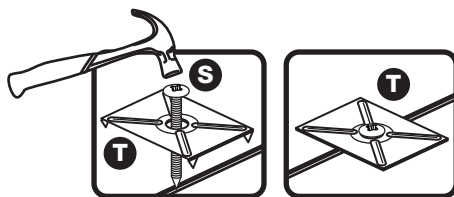
Tap the nail screws **S** through the back holders **T** and down between the backs **18** and **19** into the back edge of the divider.

Keep tapping the nail screws **S** in until the back holders **T** dig into the small and large back.

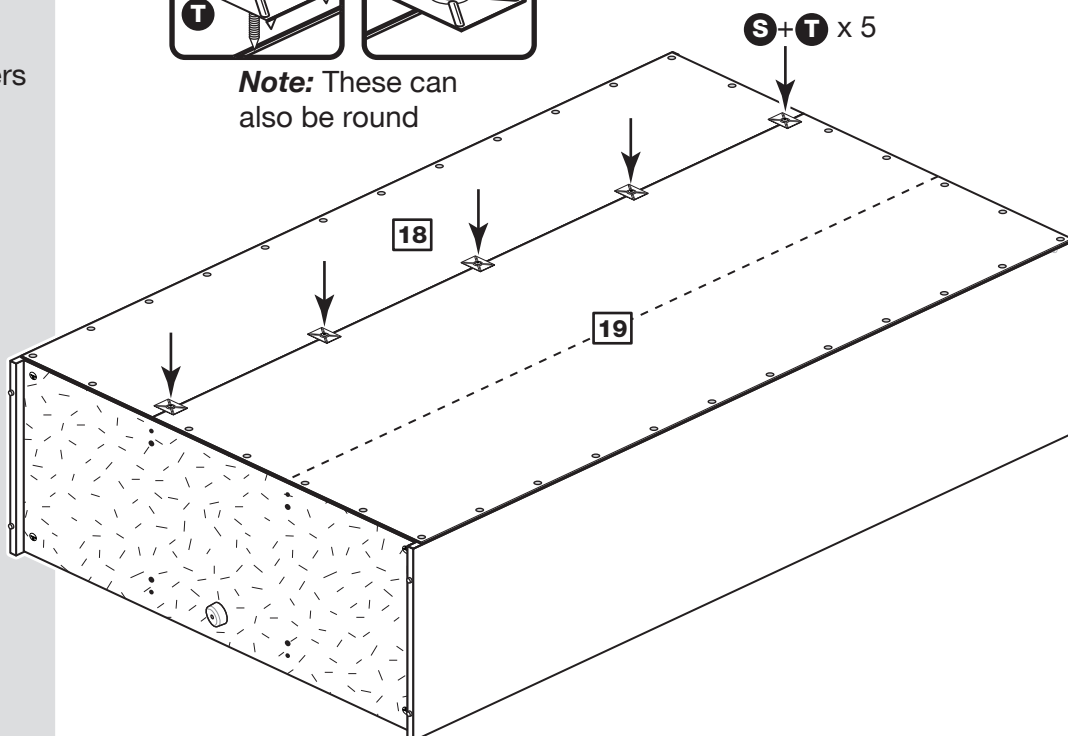
Stand the unit up for the next step.



Warning: The unit is heavy. Lift with care.



Note: These can also be round



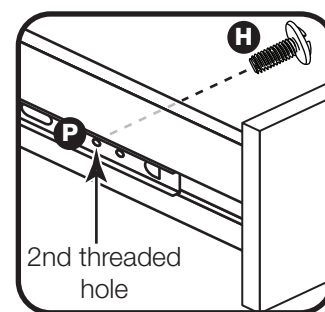
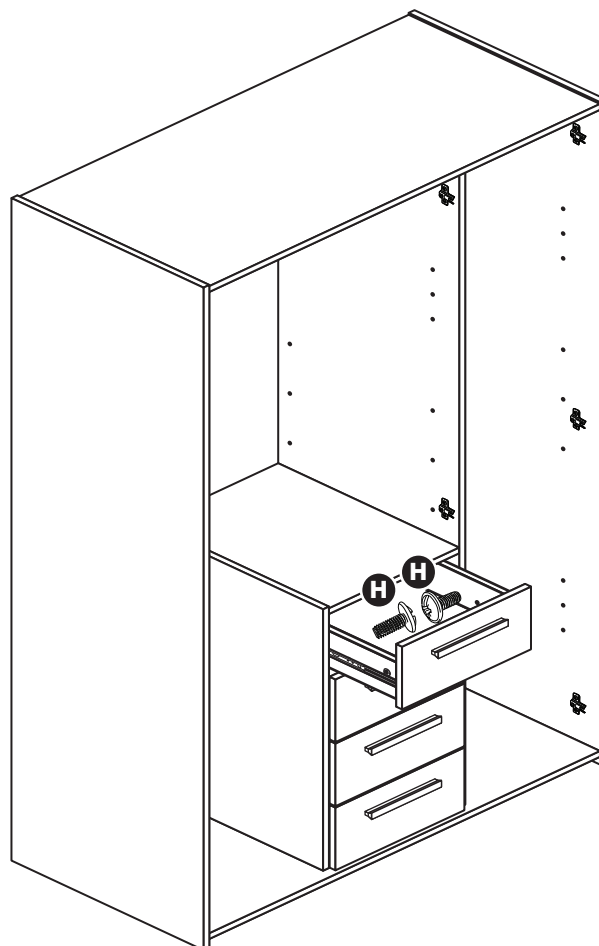
Step 25

Fit the hanging rail and the drawers

Starting with the bottom drawer, slide both the runners **P** forward and locate the drawer sides **4** and **5** between them, lining up the holes in the drawer wrap with the 2nd 'threaded' holes in the runners **P**.

Working from the inside of the drawer, insert 2 screws **H** through the drawer sides and out into the 2nd threaded hole in the runner.

Note: Do not overtighten the screws **H**. If they catch on the runner you may need to loosen them slightly.

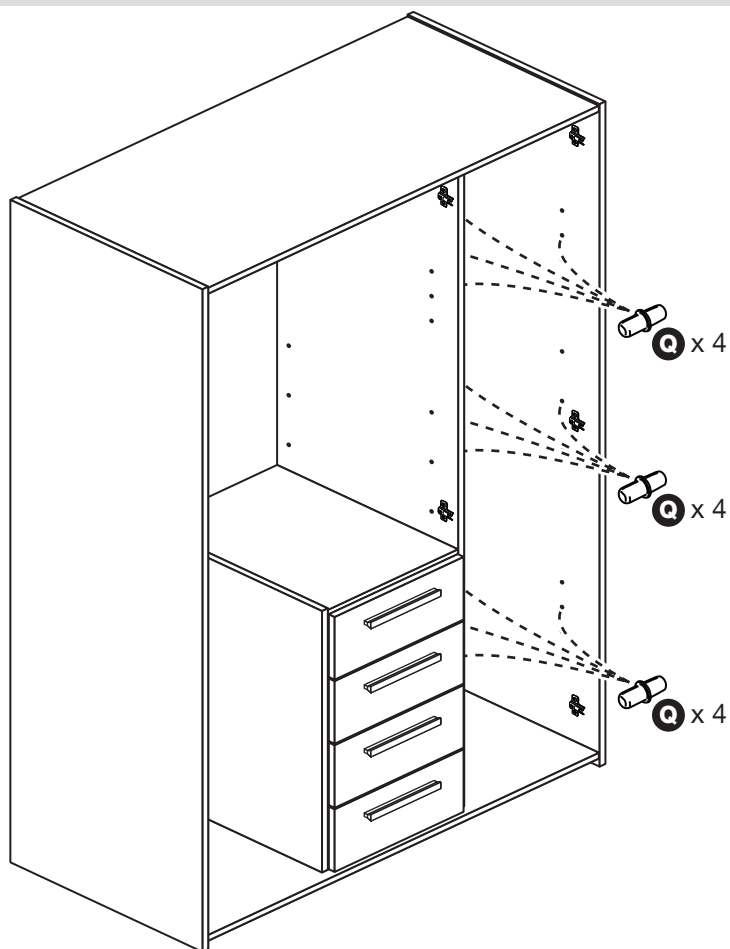


Assembly Instructions

Step 26

Fit the shelf studs

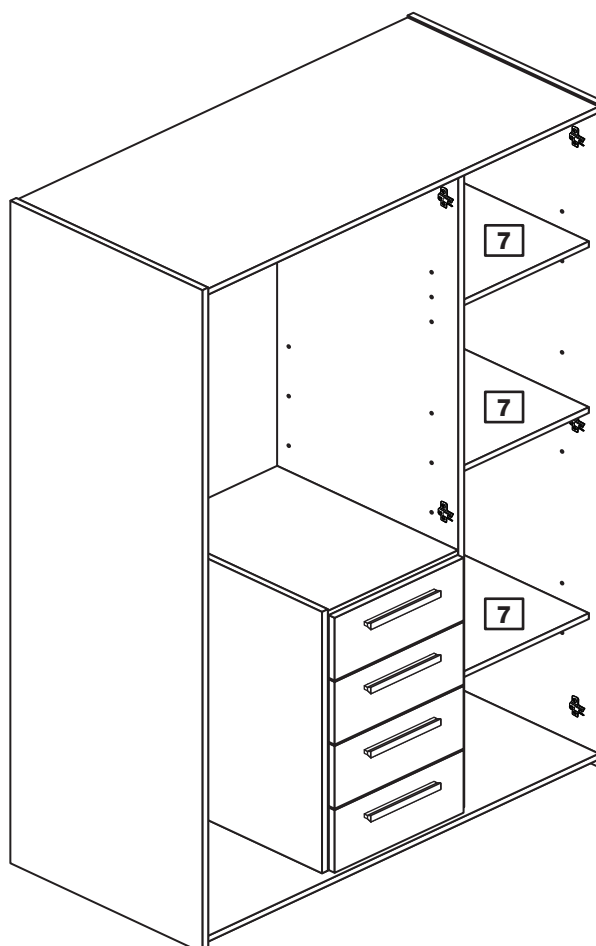
For each of the 3 shelves **7**, insert 4 shelf studs **Q** at the desired height.



Step 27

Fit the shelves

Lower the 3 shelves **7** down onto the shelf studs **Q**.

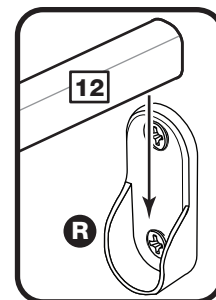
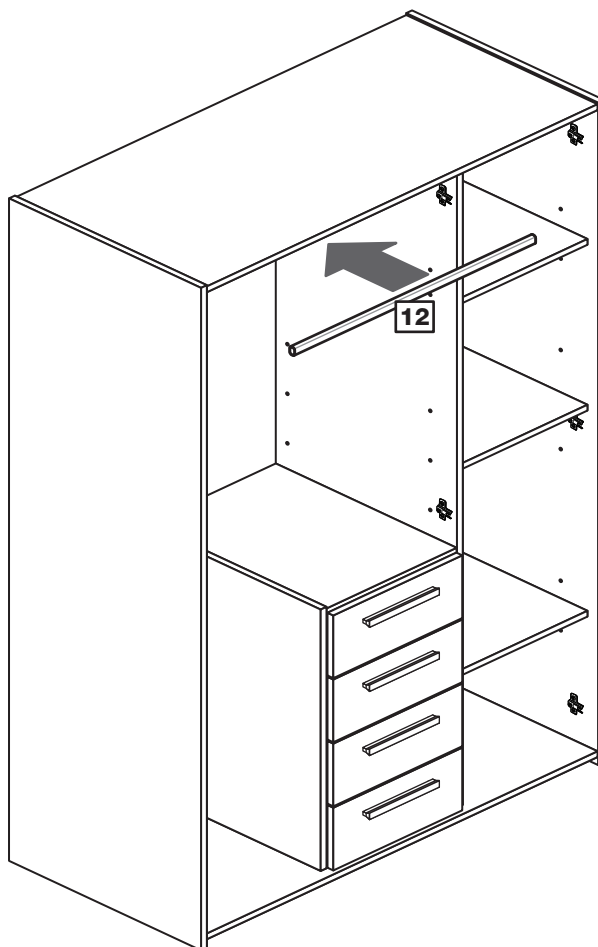


Assembly Instructions

Step 28

Fit the hanging rail

Push the hanging rail **12** into the rail holders **R** fitted to the side panels.



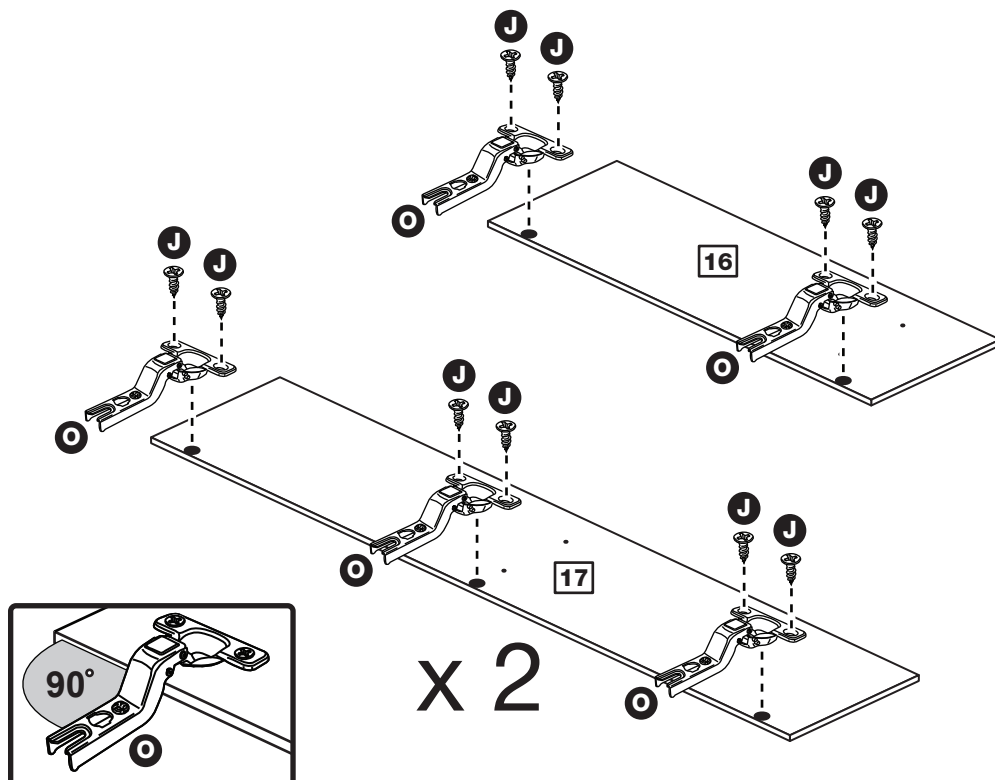
Step 29

Prepare the 3 doors

Push fit 3 hinges **O** into the centre door **16** and each of the large doors **17**.

Secure each hinge with 2 screws **J**.

Note: Before securing with the screws, make sure that the hinges are positioned at 90 degrees with the edge of the door.



Assembly Instructions

Step 30

Fit doors and handles

Note: The easiest way to attach each door **16** and **17** is to fit the top hinge first, then align and fit the other hinges.

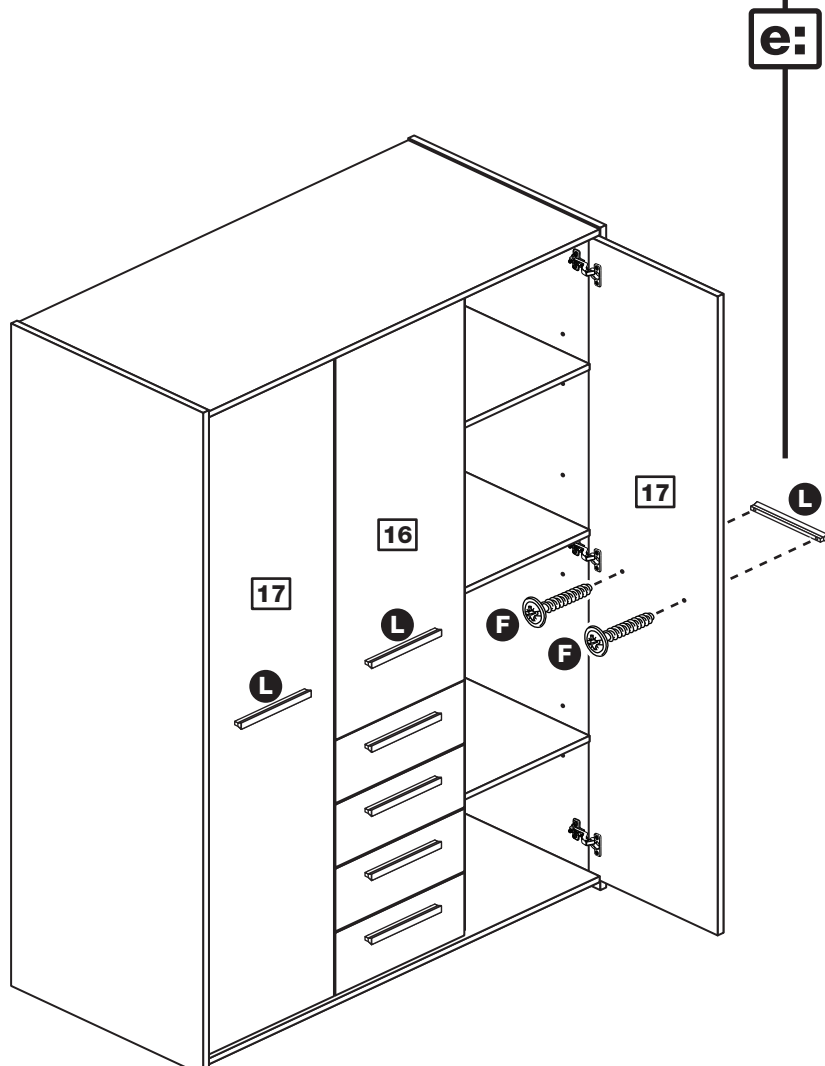
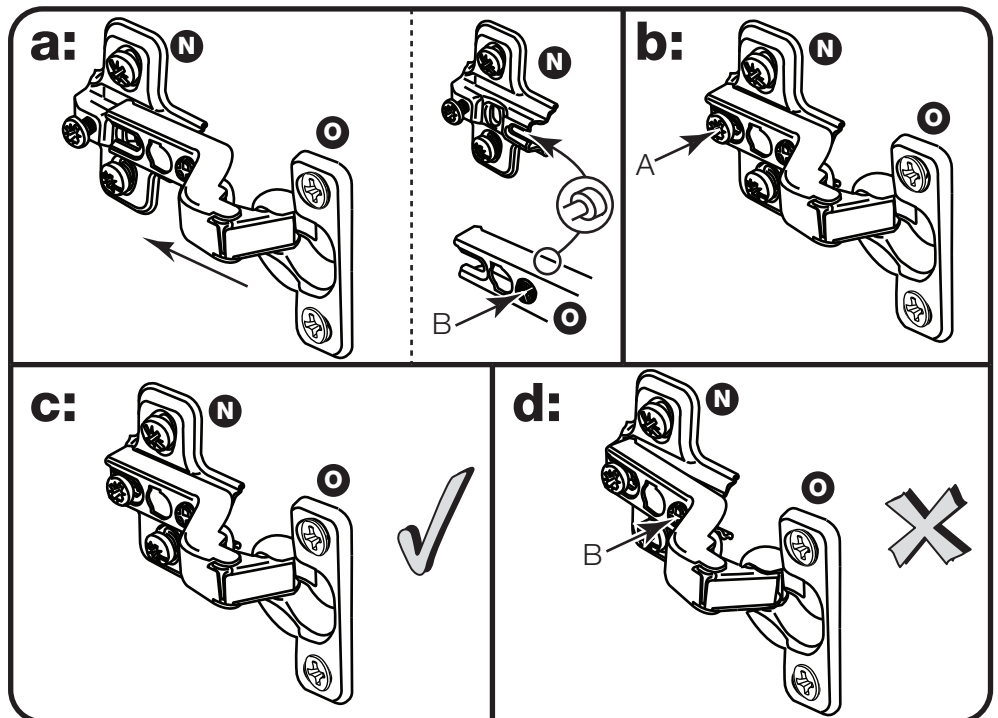
a: Push the hinge **O** onto the front part of the hinge plate **N**. The recess at the bottom of screw B goes into the slot in the hinge plate.

b: Keep the hinge **O** FLAT against the hinge plate **N** as you slide it across as far as it will go. Tighten screw A.

c: The hinge **O** must be flat against the hinge plate **N** prior to any adjustment.

d: The hinge **O** must NOT be AT AN ANGLE to the hinge plate **N** when assembled. This would indicate that the recess at the bottom of screw B had not located in the slot in the hinge plate and the hinge would not be secure. Remove the hinge from the hinge plate and then re-assemble being careful to follow instructions a-c.

e: Attach a handle **L** to each door **16** and **17** using 2 screws **F**.



Assembly Instructions

Step 31

Adjust the doors if needed

a: Before adjusting the doors, use a spirit level to check the base (or top) of the unit is level, front-to-back and side-to-side in the 3 positions shown. Use suitable packing pieces (not supplied) to make the unit level BEFORE making any adjustment to the hinges, as shown.

b: Height adjustment.

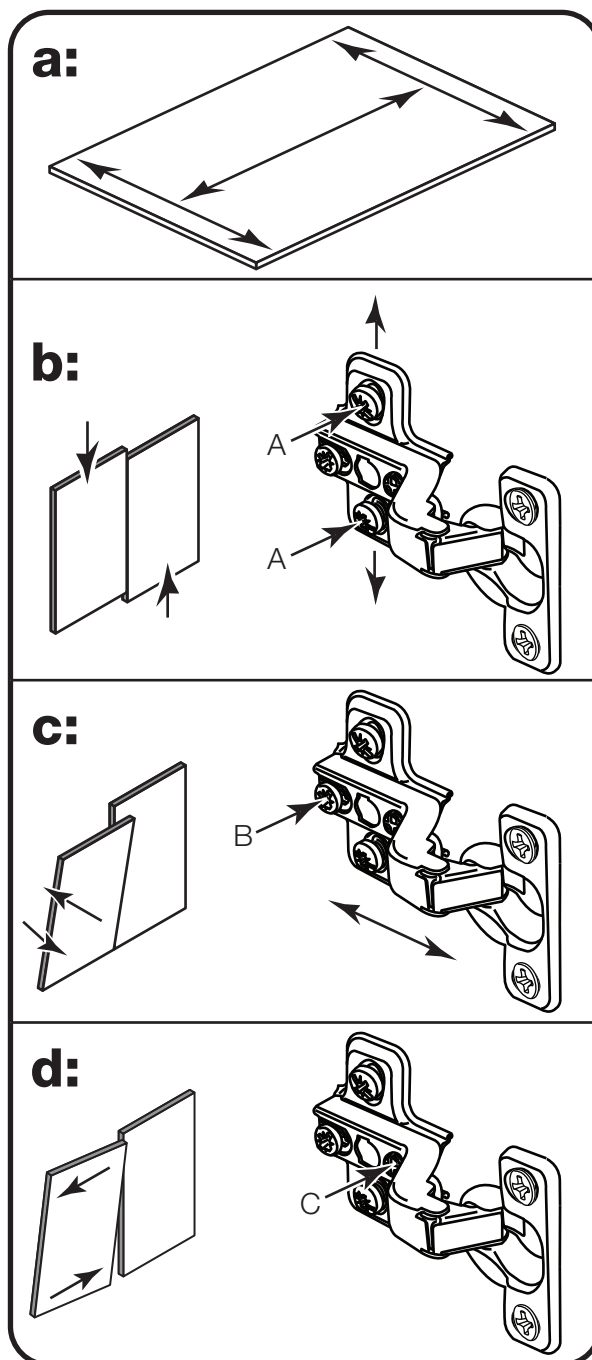
Loosen screws A on hinge plates and move door up or down as required. Retighten screw A.

c: Forward and Back adjustment.

Loosen screw B on hinge plate and move door in or out as required. Retighten screw B.

d: Sideways adjustment.

To move door 'out' loosen screw C. To move door 'in' tighten screw C.



Assembly Instructions

Step 32

Fit the bracket

To prevent possible overbalancing, we recommend that this unit is secured to a suitable wall by use of the bracket **K** fitted to the top of the unit.

Fixings are not supplied, as they will need to suit the wall type and the length of screw will depend on the distance from the back of the unit to the wall.

Fix the bracket **K** loosely onto the top of the unit using screw **G** and mark the wall for the wall fixing.

Swivel the bracket **K** away from the wall and drill a hole in the wall using a suitable drill bit and fit your wall fixing.

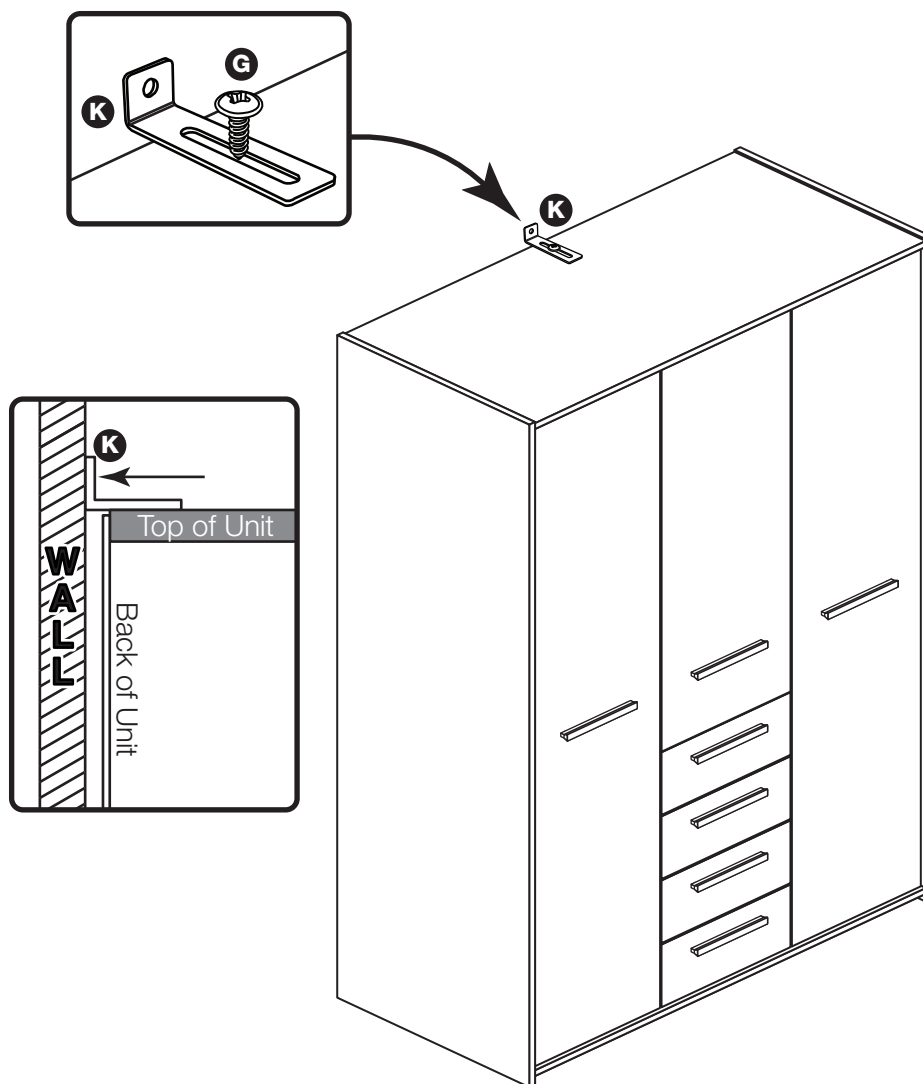
Swivel the bracket **K** back and fix the bracket to the wall, then tighten screw **G**.

Note: Take care when drilling the wall that you do not drill into any pipes, wires etc. If in doubt, consult an expert.



Warning: The unit is heavy. Lift with care.

Assembly is complete



If you need help or have damaged or missing parts, call the Customer Helpline: 08456 400800 and quote the reference numbers on the component pages.

Argos Ltd, 489-499 Avebury Boulevard, Central Milton Keynes, MK9 2NW

New Sywell - 4 Drawer 3 Door Robe

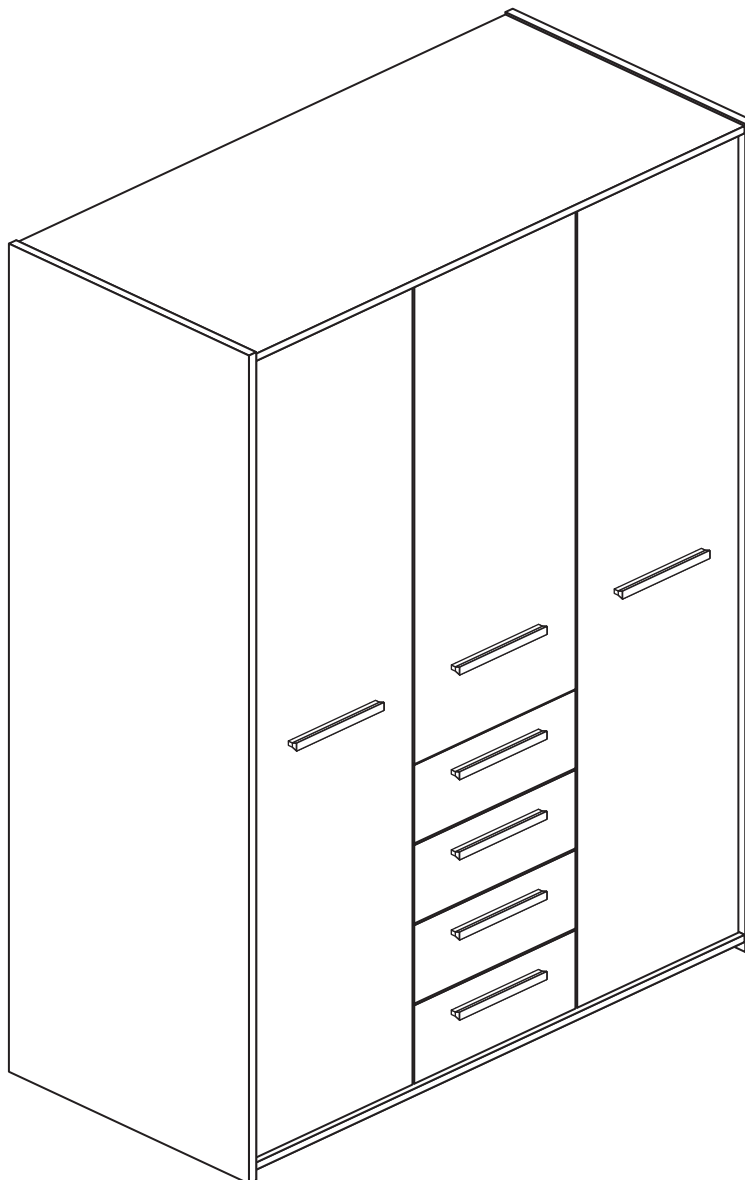
Assembly Instructions - Please keep for future reference

282/7023

278/9130

258/1376

281/6096



Dimensions

Width - 104cm

Depth - 49.5cm

Height - 171cm



**MADE IN
BRITAIN**

Important - Please read these instructions fully before starting assembly

If you need help or have damaged or missing parts, call the **Customer Helpline: 03456 400800**



Safety and Care Advice

Important - Please read these instructions fully before starting assembly

- **Warning:** This unit weighs approximately 73kgs. Please lift with care.
- Check you have all the components and tools listed on pages 1, 2 and 3.
- Remove all fittings from the plastic bags and separate them into their groups.
- Keep children and animals away from the work area, small parts could choke if swallowed.
- Parts of the assembly will be easier with 2 people.

- Make sure you have enough space to layout the parts before starting.
- Do not stand or put weight on the product, this could cause damage.
- Assemble the item as close to its final position (in the same room) as possible.
- Assemble on a soft level surface to avoid damaging the unit or your floor (use opened out unit carton).



• We do not recommend the use of power drill/drivers **for inserting screws**, as this could damage the unit. Only use hand screwdrivers.

• **Safety note:** It is recommended that this unit is secured to a wall using the bracket supplied.

• Dispose of all packaging carefully and responsibly.

Care and maintenance

- Only clean using a damp cloth and mild detergent, do not use bleach or abrasive cleaners.
- From time to time check that there are no loose screws on this unit.
- This product should not be discarded with household waste. Take to your local authority waste disposal centre.

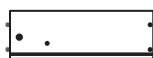
Components - Panels

If you have damaged or missing components, call the **Customer Helpline: 03456 400800** quoting the reference numbers below

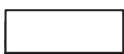
Please check you have all the panels listed below



1 Drawer Front (D2575A)
(333 x 162mm) x 4



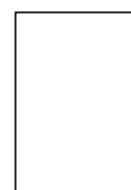
4 Left Drawer Side (W370-124LH)
(370 x 124mm) x 4



2 Drawer Back (W304-124)
(304 x 124mm) x 4



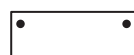
5 Right Drawer Side (W370-124RH)
(370 x 124mm) x 4



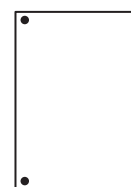
7 Shelf (D2574A)
(322 x 468mm) x 3



3 Drawer Base (T315-367)
(315 x 367mm) x 4



6 Rail (D2598A)
(322 x 125mm)

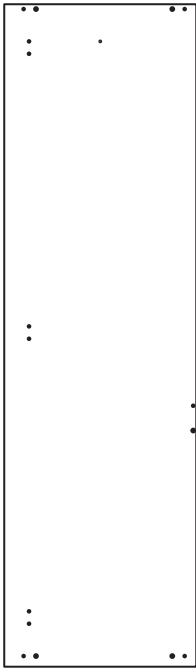


8 Horizontal (D2573A)
(337 x 467mm)

Components - Panels

If you have damaged or missing components, call the **Customer Helpline: 03456 400800** quoting the reference numbers below

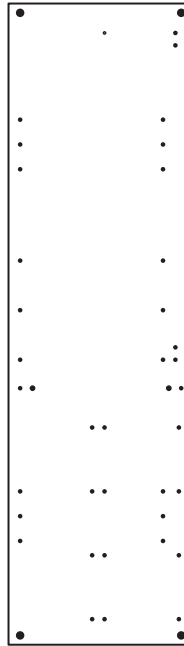
Please check you have all the panels listed below



9 Left Side (D2560A)
(1711 x 496mm)



10 Right Side (D2569A)
(1711 x 496mm)



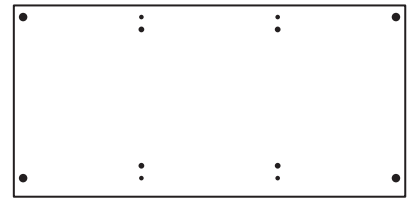
11 Upright (D2571A)
(1656 x 468mm)



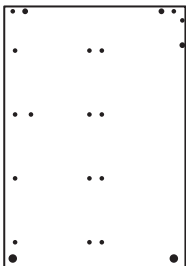
12 Hanging Rail (FHR666)
(666mm long)



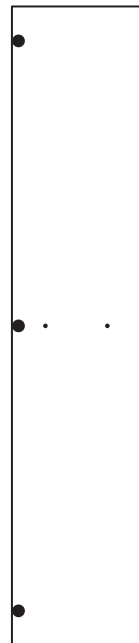
13 Top (D2568A)
(1011 x 494mm)



14 Base (D2570A)
(1011 x 494mm)



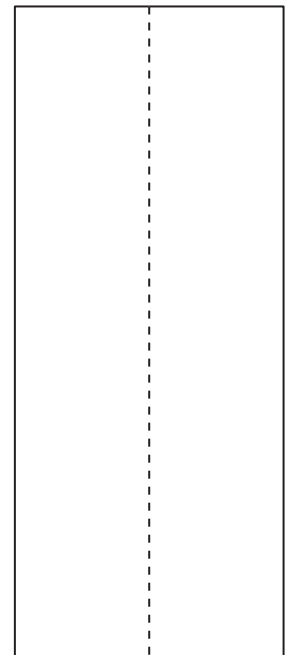
15 Divider (D2572A)
(675 x 468mm)



17 Large Door (D2563A)
(1650 x 333mm) x 2



18 Small Back (X1682-340)
(1682 x 340mm)



19 Large Back (X1682-694)
(1682 x 694mm)



16 Centre Door (D2576A)
(990 x 333mm)


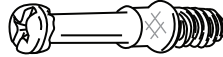








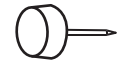
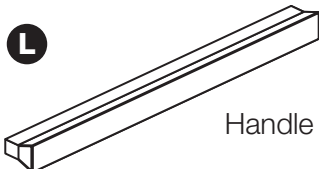

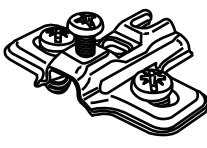
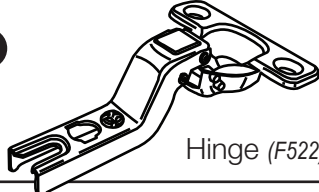


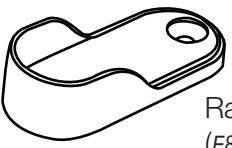



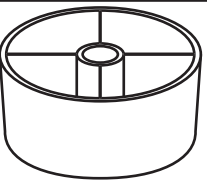
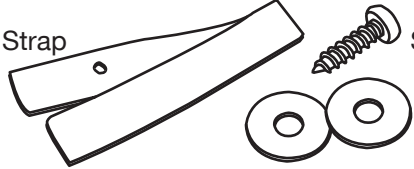


Components - Fittings

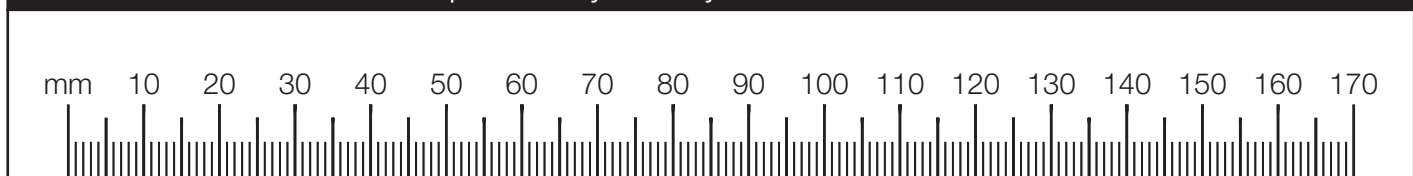
If you have damaged or missing components, call the **Customer Helpline: 03456 400800** quoting the reference numbers below

Please check you have all the fittings listed below

Note: The quantities below are the correct amount to complete the assembly. In some cases more fittings may be supplied than are required.

<p>A </p> <p>Wooden dowel (F22) x 20</p>	<p>B </p> <p>Metal dowel (F901) x 28</p>	<p>C </p> <p>25mm Screw (F50) x 1</p>	
<p>D </p> <p>Large locking nut (F900) x 20</p>	<p>E </p> <p>Small locking nut (F3) x 8</p>	<p>F </p> <p>25mm Screw (F95) x 14</p>	
<p>G </p> <p>Wedgex (F639) x 8</p>	<p>H </p> <p>9mm Screw (F74) x 8</p>	<p>I </p> <p>9mm Screw (F73) x 16</p>	
<p>J </p> <p>13mm Screw (F63) x 20</p>	<p>K </p> <p>Plastic Nail (F91) x 4</p>	<p>L </p> <p>Handle (F315) x 7</p>	
<p>M </p> <p>Nail (F51) x 37</p>	<p>N </p> <p>Hinge plate (F523) x 8</p>	<p>O </p> <p>Hinge (F522) x 8</p>	
<p>P </p> <p>Drawer runner (F1004) x 8</p>		<p>Q </p> <p>Shelf stud (F110) x 12</p>	
<p>R </p> <p>Rail Holder (F891) x 2</p>	<p>S </p> <p>Nail screw (F277) x 5</p>	<p>T </p> <p>Back holder (F276) x 5</p> <p>← These can also be round</p>	
<p>U </p> <p>Knock-in Peg (F171) x 16</p>	<p>V </p> <p>Foot (F854) x 1</p>	<p>W </p> <p>Strap</p> <p>Screw</p> <p>Washer x 2</p> <p>Overbalance protector kit (F269) x 1</p>	

Ruler - Use this ruler to help correctly identify the screws



Assembly Instructions

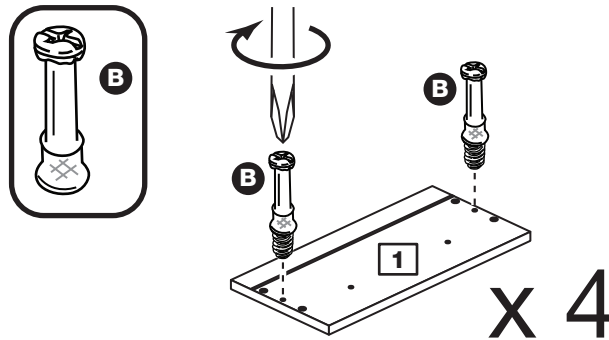
If you have damaged or missing components, call the
Customer Helpline: 03456 400800 quoting the reference
numbers below

Step 1

Prepare the 4 drawer fronts

Screw 2 metal dowels **B** into the holes shown on the back of each drawer front **1**.

Note: Tighten the metal dowels up fully against the panels.

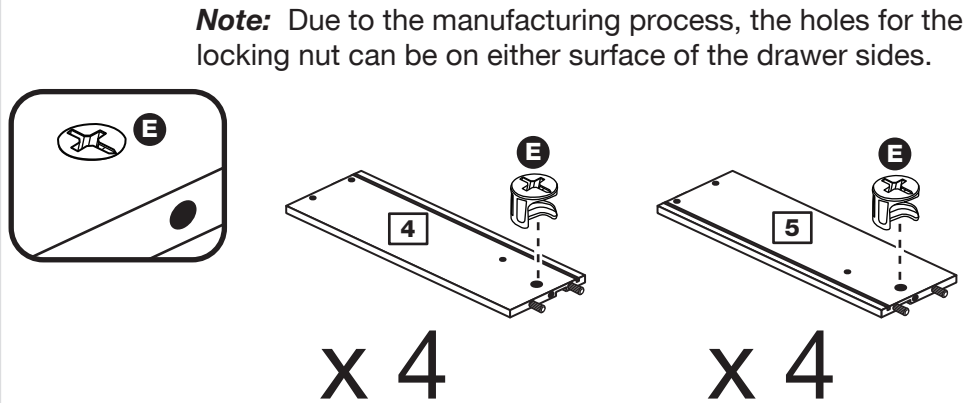


Step 2

Prepare the drawer sides

Insert a small locking nut **E** into the hole shown on the left drawer side **4** and right drawer side **5**.

Note: Arrow on locking nut **must** point towards hole in edge of panel.



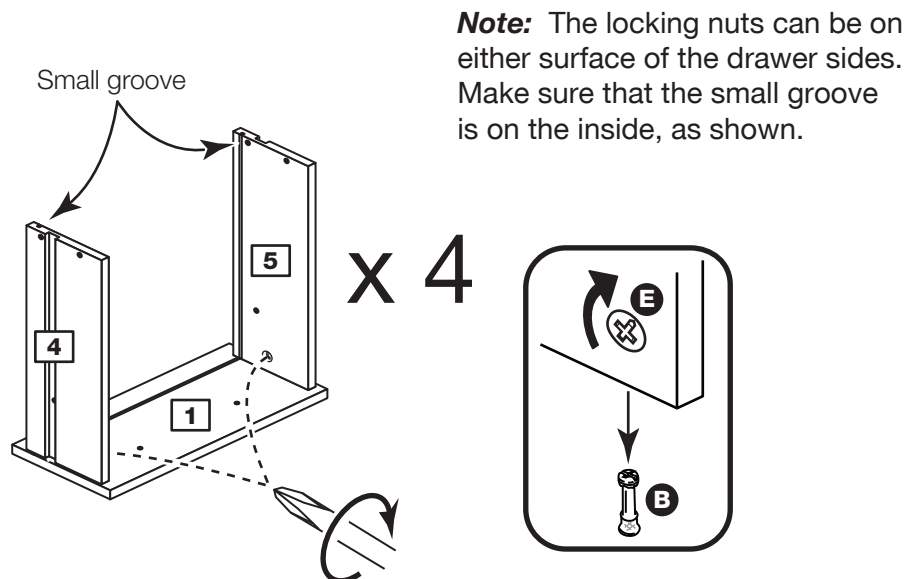
Step 3

Attach the drawer sides to the drawer front

Push the left drawer side **4** and right drawer side **5** onto the back of the drawer front **1**.

Turn the small locking nuts **E** on the left drawer side **4** and right drawer side **5**.

Note: Turn the locking nuts **E** clockwise to secure panels - more than 1/2 a turn.

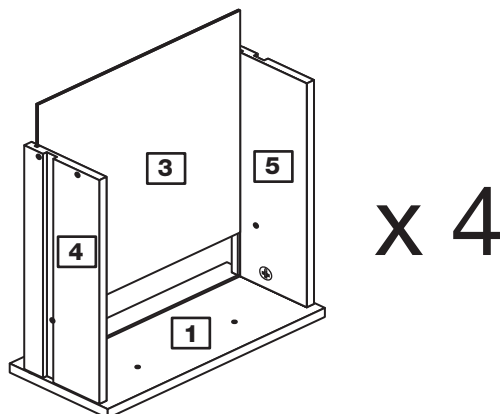


Assembly Instructions

Step 4

Fit the drawer base

Slide the drawer base **3** down the grooves in the drawer sides **4** and **5** and down into the groove in the drawer front **1**.



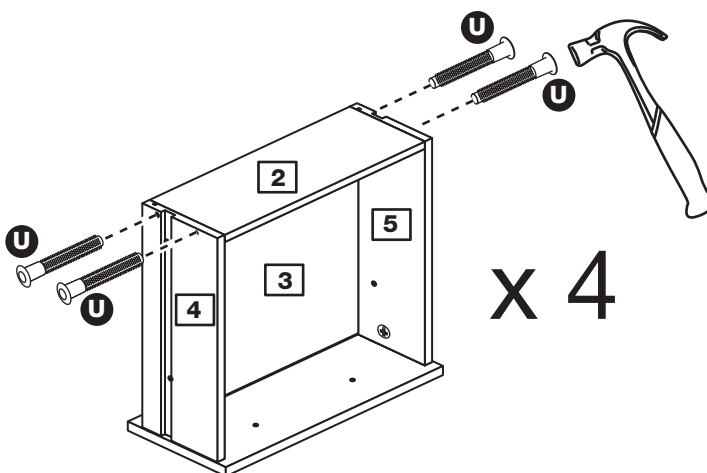
Step 5

Fit the drawer back

Fit the drawer back **2** down onto the drawer base **3**.

Make sure that the drawer base **3** fits into the groove in the drawer back **2**.

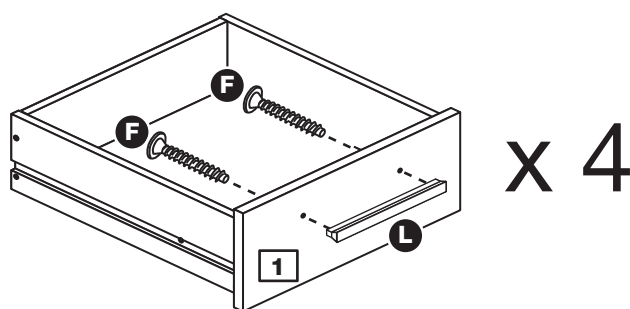
Hold the drawer back **2** in position and tap the knock-in pegs **U** through the holes in the drawer sides **4** and **5**.



Step 6

Attach the handles

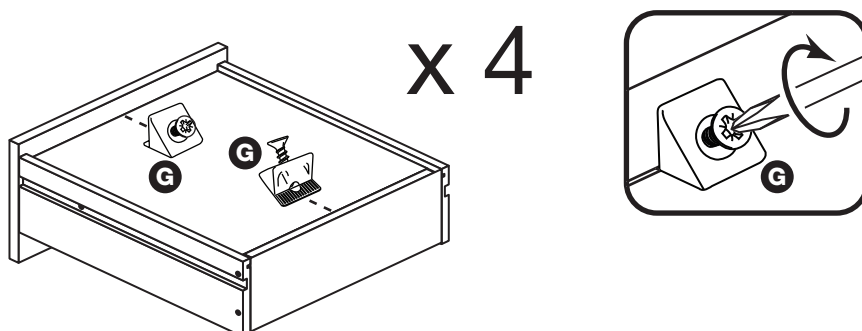
Attach a handle **L** to each drawer front **1** using 2 screws **F**.



Step 7

Fit the wedgifixes

Turn the drawer assemblies over and slide 2 wedgifixes **G** into the front and back grooves, as shown, and tighten up the screws.



Assembly Instructions

Step 8

Prepare the upright

a: Place 4 runners **P** on the upright **11**. Slide back the top of the runner and use the 2nd hole from the front to fit the 1st screw **I**.

To fit the rail holder **R**, screw through the top hole with screw **J** and into the mark hole drilled in the upright **11**. Make sure that it is fitted straight, in line with the panel edges and then fit another screw **J** using the lower hole.

b: Slide the runner **P** back the other way and fit the 2nd screw **I** into the corresponding hole in the upright **11**.

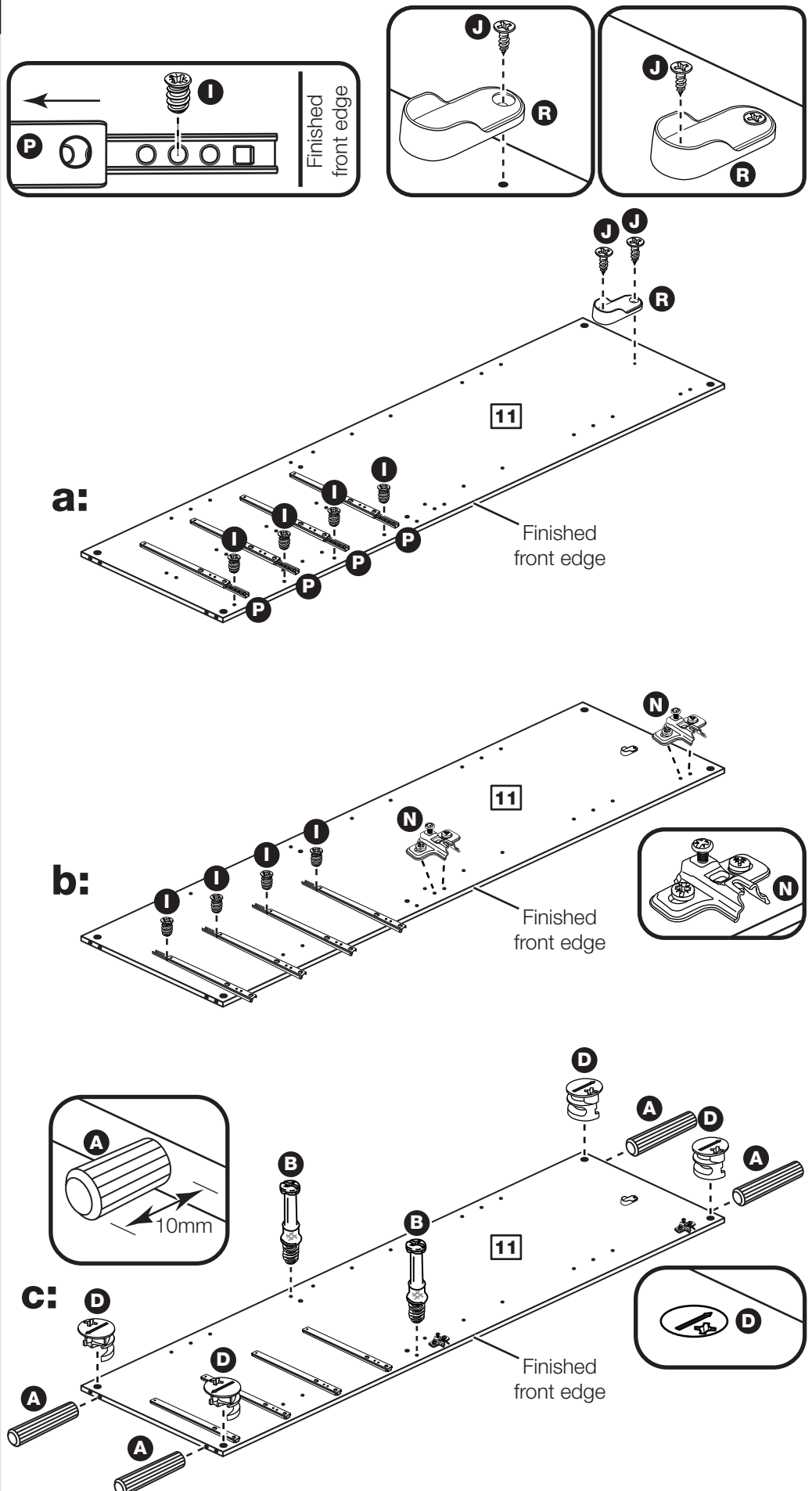
Fit 2 hinge plates **N** onto the upright **11**, making sure that the slot is facing towards the finished front edge.

c: Tap 4 wooden dowels **A** into the upright **11**.

Screw 2 metal dowels **B** into the upright **11**.

Insert 4 large locking nuts **D** into the upright **11**.

Note: The arrow on the locking nut **must** point towards the hole in the edge of the panel.



Assembly Instructions

Step 9

Prepare the divider

a: Place 4 runners **P** on the divider **15**. Slide back the top of the runner and use the 2nd hole from the front to fit the 1st screw **I**.

b: Slide the runner **P** back the other way and fit the 2nd screw **I** into the corresponding hole in the divider **15**.

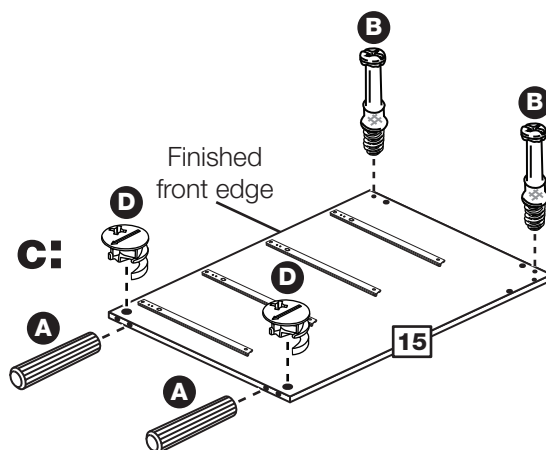
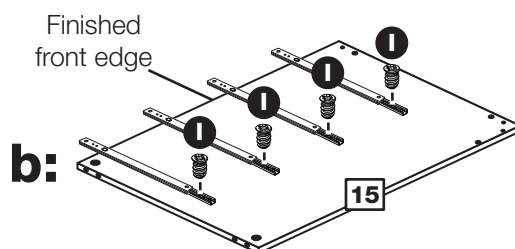
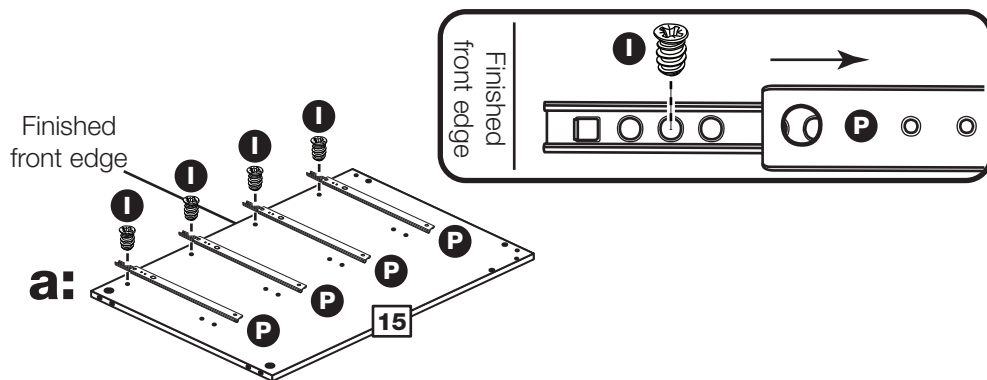
c: Tap 2 wooden dowels **A** into the divider **15**.

Screw 2 metal dowels **B** into the divider **15**.

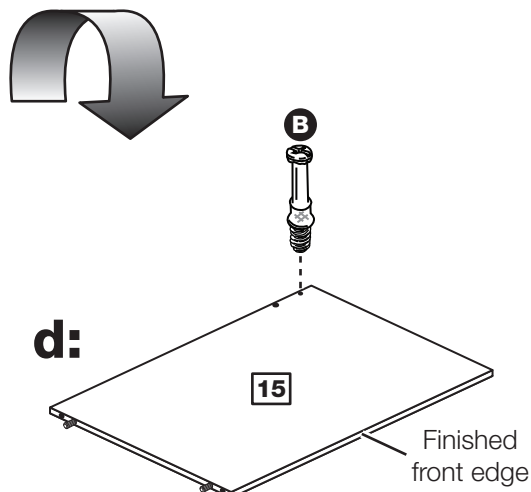
Insert 2 large locking nuts **D** into the divider **15**.

Turn the divider over

d: Screw a metal dowel **B** into the divider **15**.



Turn the divider over



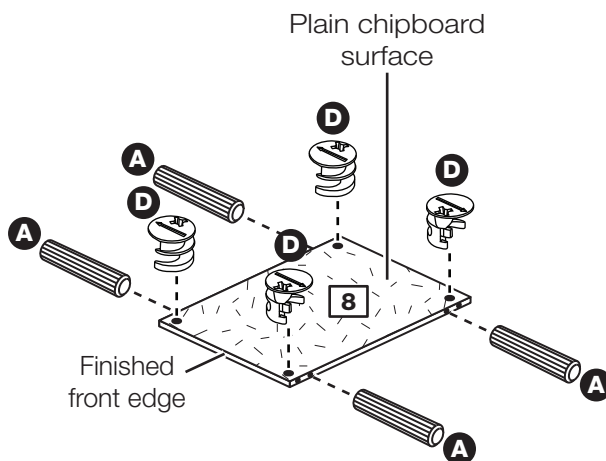
Assembly Instructions

Step 10

Prepare the horizontal

Tap 4 wooden dowels **A** into the horizontal **8**.

Insert 4 large locking nuts **D** into the horizontal **8**.



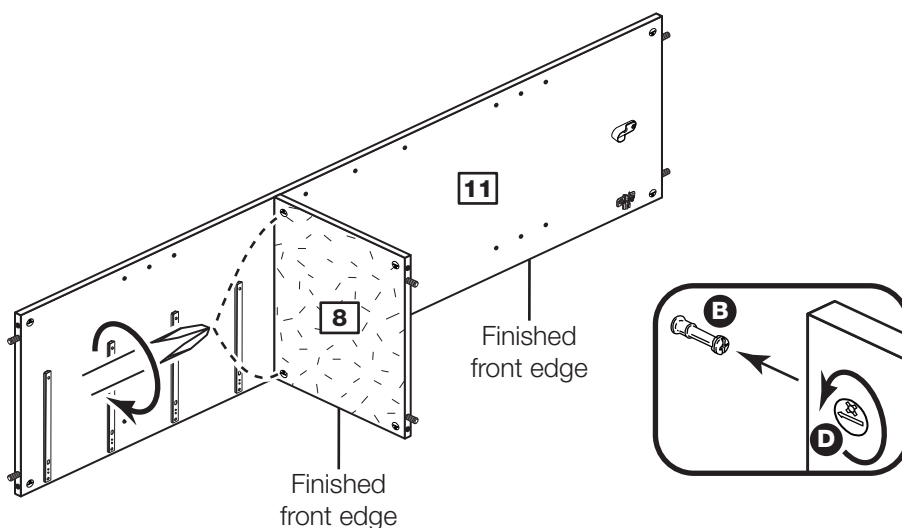
Step 11

Fit the horizontal to the upright

Push the horizontal **8** onto the upright **11**.

Use a screwdriver to tighten the 2 large locking nuts **D** fitted to the horizontal **11**.

Note: Turn the large locking nuts **D** as far as they will go - more than 1/2 a turn.

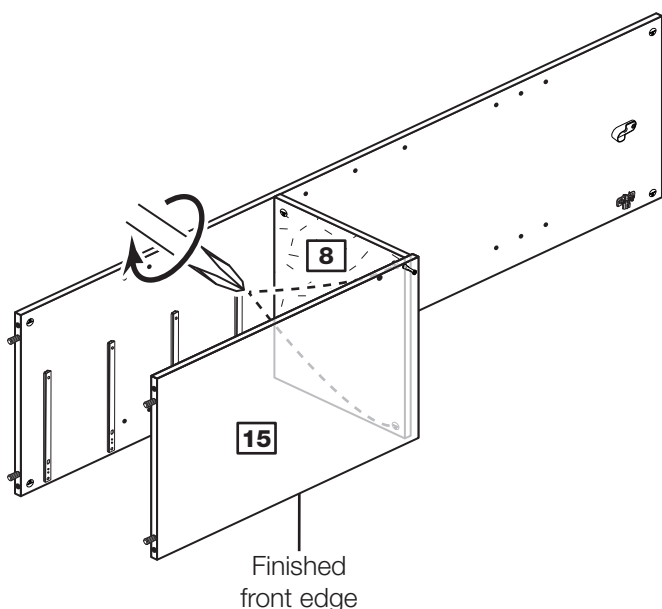


Step 12

Fit the divider to the horizontal

Push the divider **15** onto the horizontal **8**.

Use a screwdriver to tighten the 2 large locking nuts **D** fitted to the horizontal **8**.



Assembly Instructions

Step 13

Prepare the base

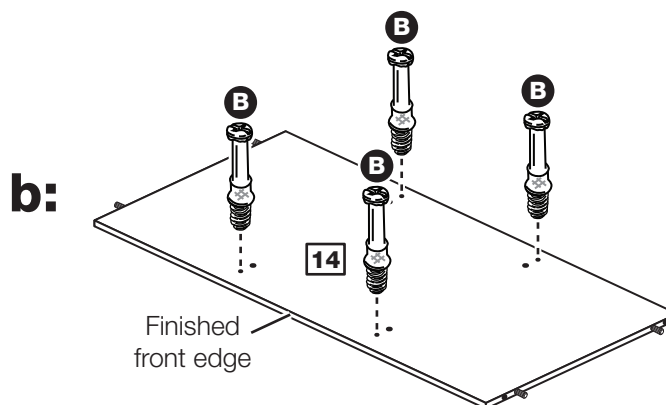
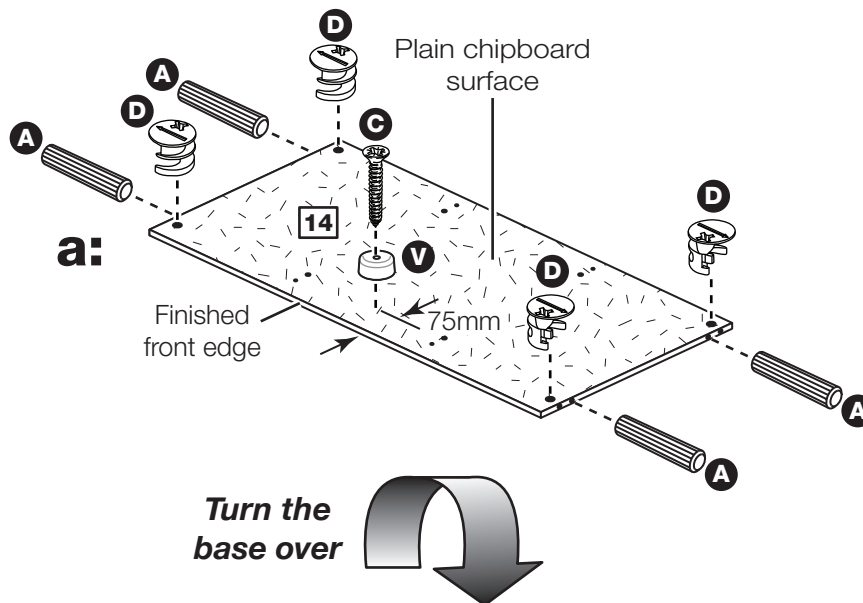
a: Tap 4 wooden dowels **A** into the base **14**.

Insert 4 large locking nuts **D** into the base **14**.

Screw the foot **V** into the middle of the base **14**, 75mm in from the front edge using screw **C**.

Turn the base over

b: Screw 4 metal dowels **B** into the base **14**.

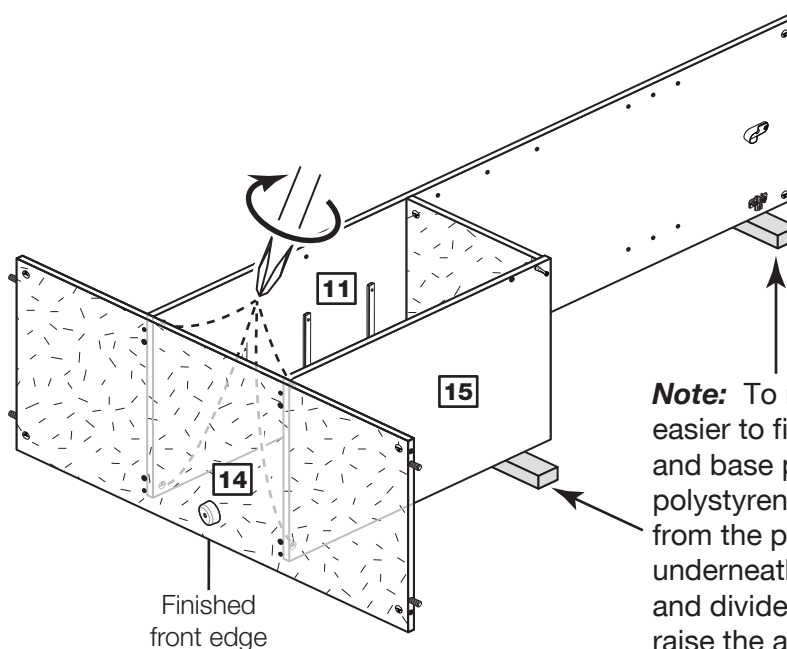


Step 14

Fit the base

Push the base **14** onto the upright **11** and divider **15**.

Use a screwdriver to tighten the 4 large locking nuts **D** fitted to the upright **11** and the divider **15**.



Note: To make it easier to fit the top and base panels, place polystyrene blocks from the packaging underneath the upright and divider panels to raise the assembly.

Assembly Instructions

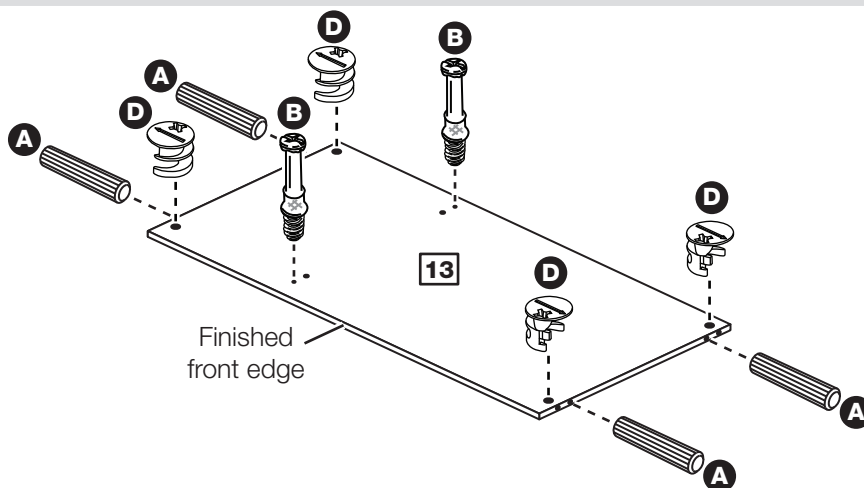
Step 15

Prepare the top

a: Tap 4 wooden dowels **A** into the top **13**.

Insert 4 large locking nuts **D** into the top **13**.

Screw 2 metal dowels **B** into the top **13**.

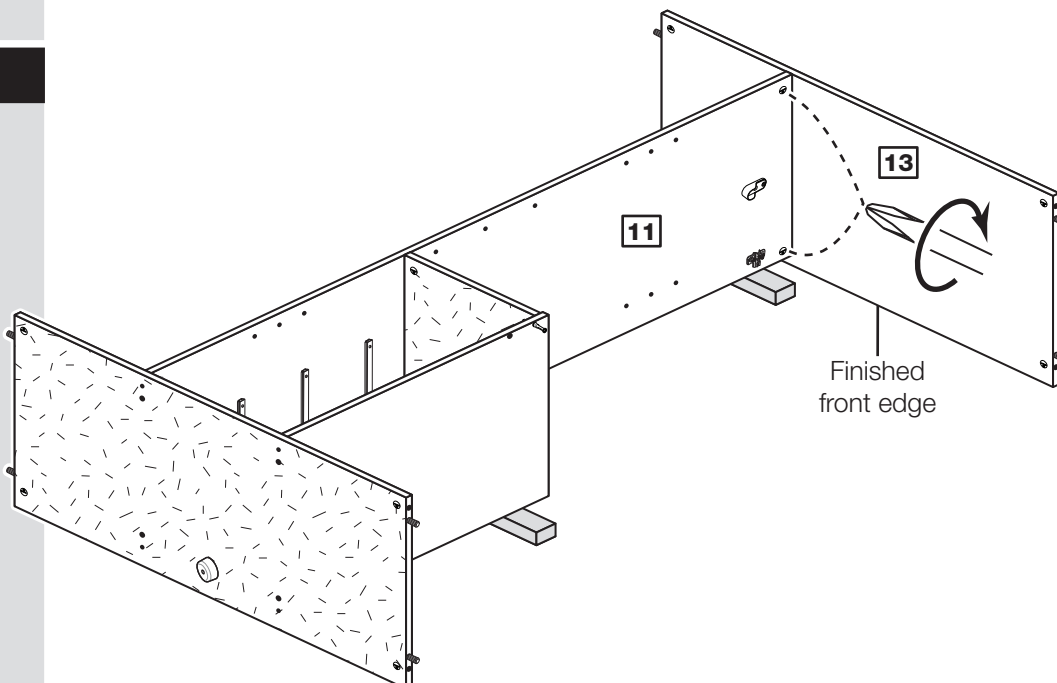


Step 16

Fit the top

Push the top **13** onto the upright **11**.

Use a screwdriver to tighten the 2 large locking nuts **D** fitted to the upright **11**.

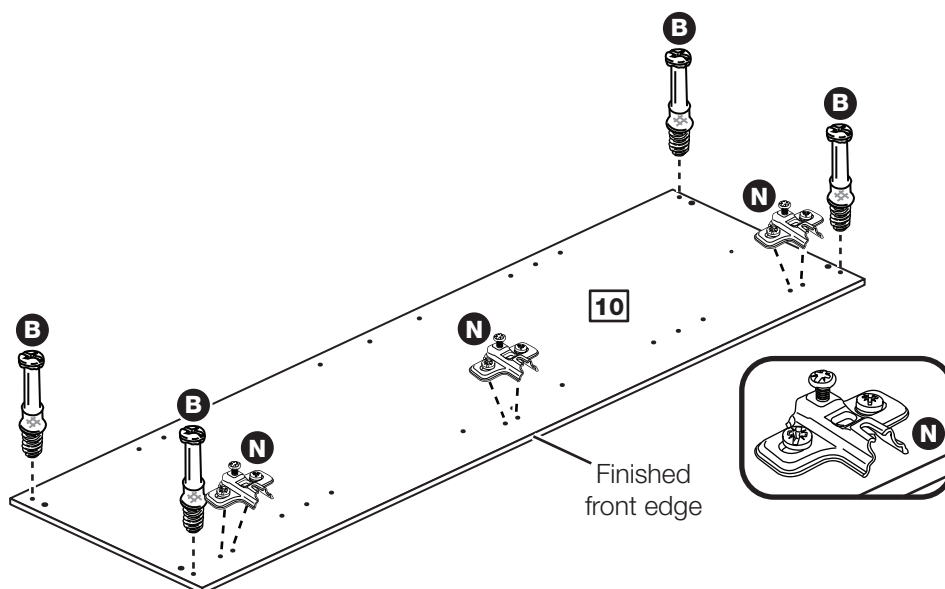


Step 17

Prepare the right side

Screw 4 metal dowels **B** into the right side **10**.

Fit 3 hinge plates **N** onto the right side **10**, making sure that the slot is facing towards the finished front edge.



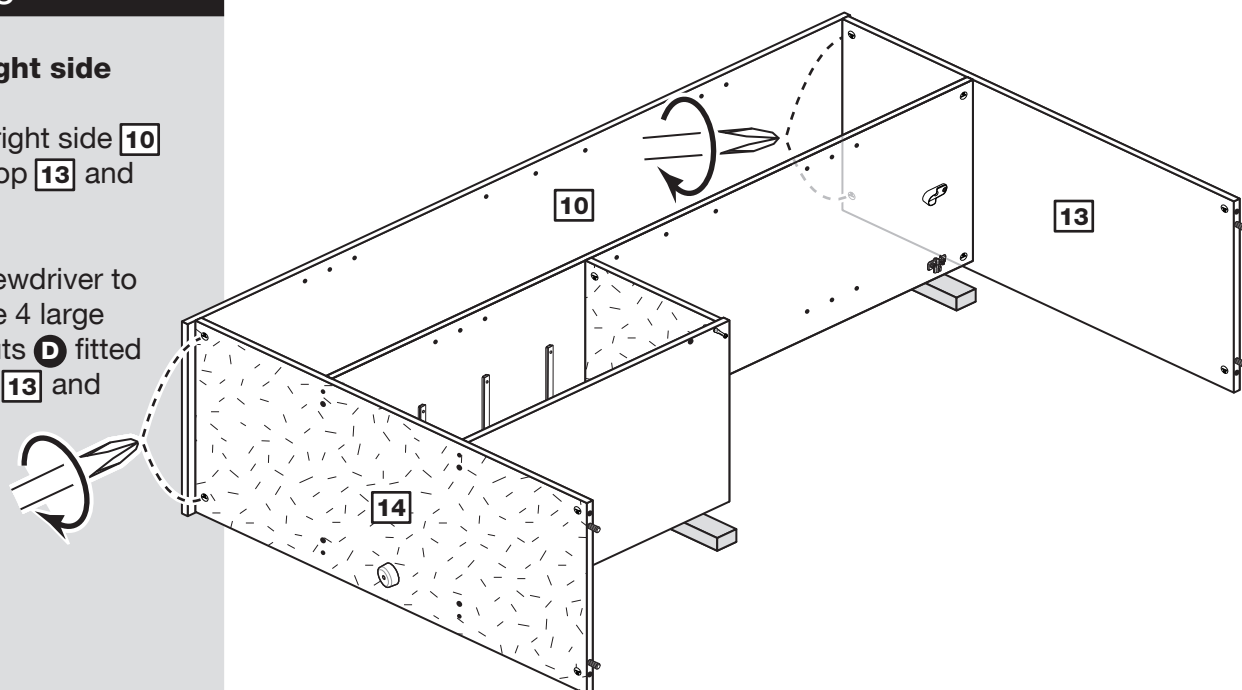
Assembly Instructions

Step 18

Fit the right side

Push the right side **10** onto the top **13** and base **14**.

Use a screwdriver to tighten the 4 large locking nuts **D** fitted to the top **13** and base **14**.



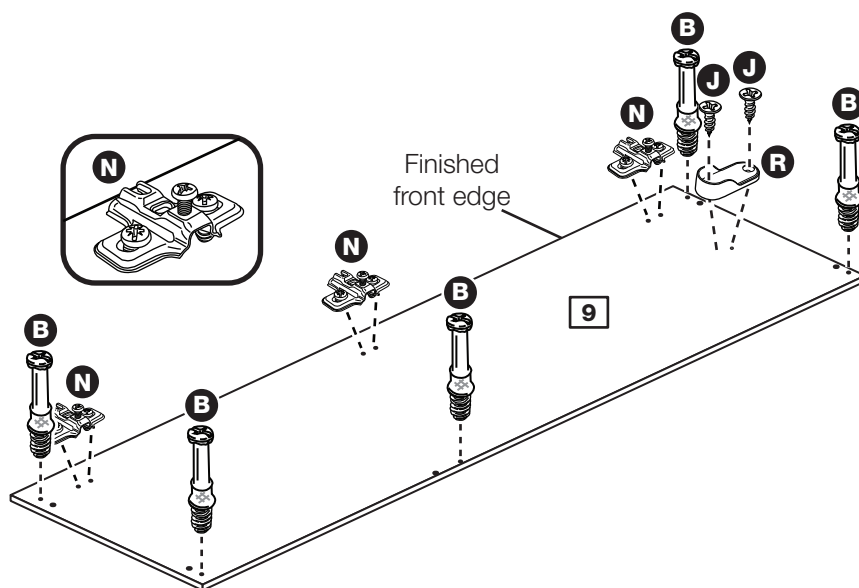
Step 19

Prepare the left side

Screw 5 metal dowels **B** into the left side **9**.

Fit 3 hinge plates **N** onto the left side **9**, making sure that the slot is facing towards the finished front edge.

To fit the rail holder **R**, screw through the top hole with screw **J** and into the mark hole drilled in the left side **9**. Make sure that it is fitted straight, in line with the panel edges and then fit another screw **J** using the lower hole.



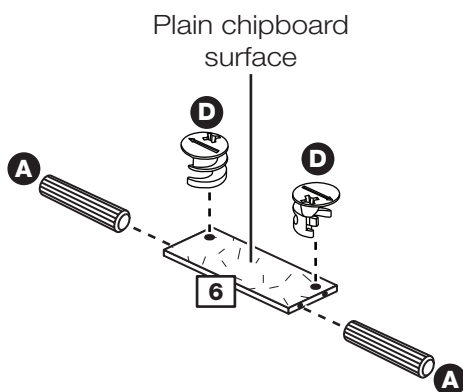
Assembly Instructions

Step 20

Prepare the rail

Tap 2 wooden dowels **A** into the rail **6**.

Insert 2 large locking nuts **D** into the rail **6**.

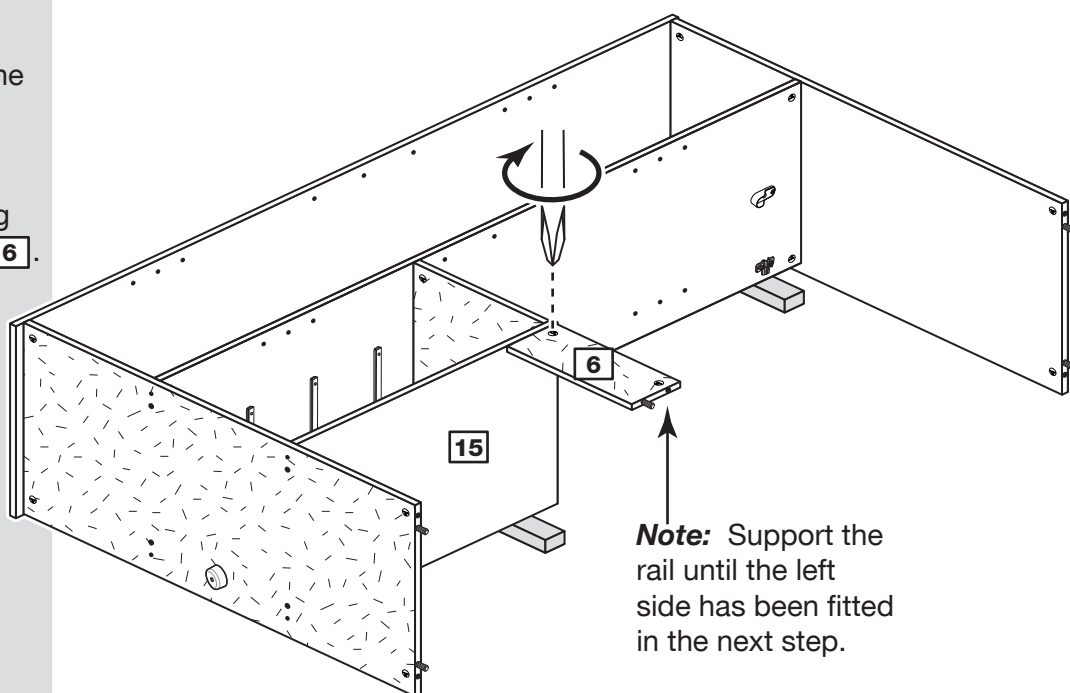


Step 21

Fit the rail

Push the rail **6** onto the divider **15**.

Use a screwdriver to tighten the large locking nut **D** fitted to the rail **6**.



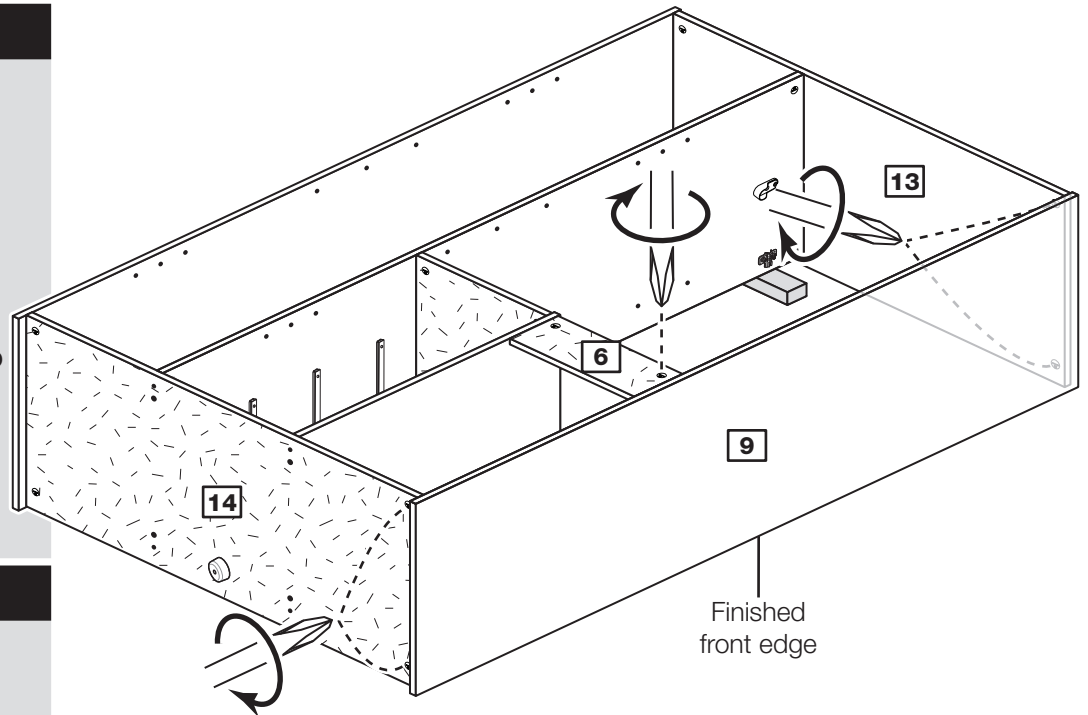
Assembly Instructions

Step 22

Fit the left side

Push the left side **9** onto the assembly.

Use a screwdriver to tighten the 5 large locking nuts **D** fitted to the top **13**, base **14** and rail **6**.



Step 23

Fit the back panels

a: Square up the unit by making sure that measurement **x:x** equals **y:y**.

Place the small back **18** and large back **19** down onto the unit as shown.

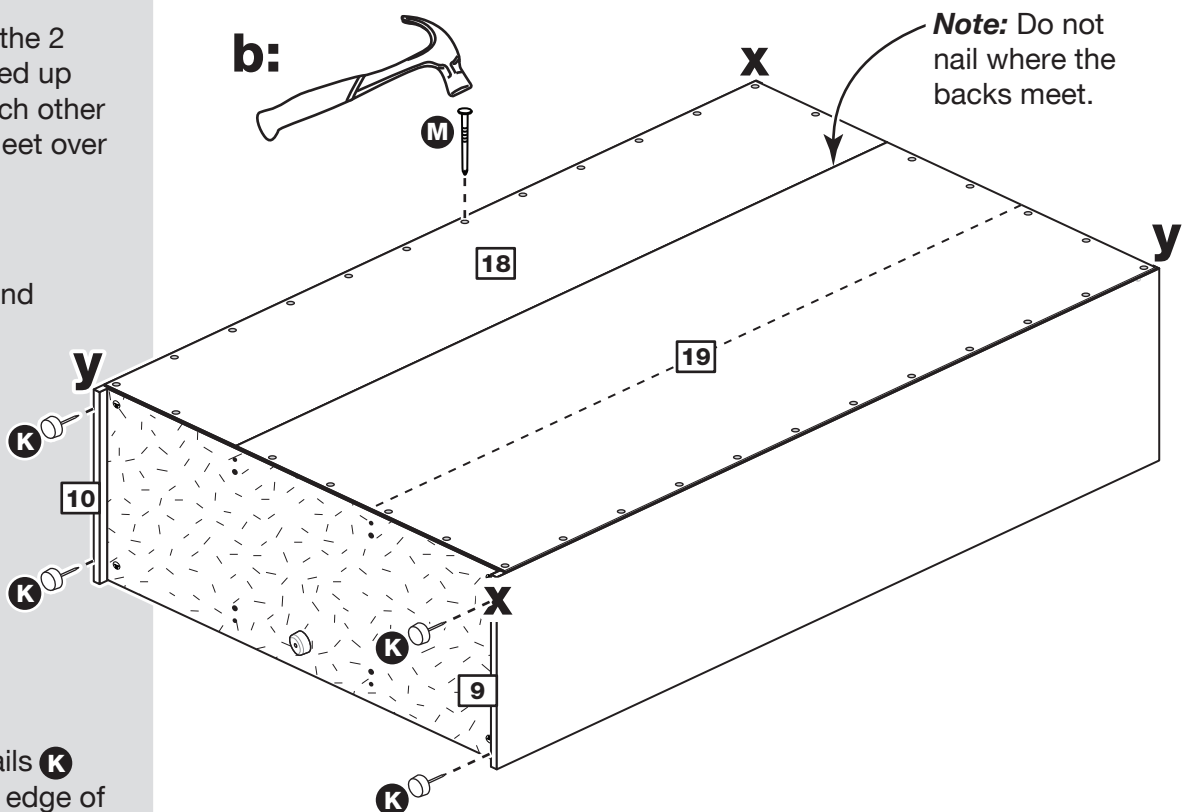
Make sure that the 2 backs are pushed up tight against each other and that they meet over the back edge of the upright.

b: Nail **M** around the outside edges of the 2 backs.

Note: Do not nail where the backs meet. Nails should be spaced about 150mm apart.

Tap 2 plastic nails **K** into the bottom edge of each of the sides **9** and **10**.

a: The measurement from top corner X to bottom corner X must be equal to the measurement from top corner Y to bottom corner Y



Assembly Instructions

Step 24

Secure the backs

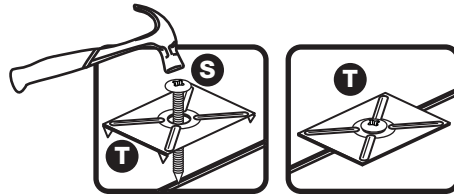
Tap the nail screws **S** through the back holders **T** and down between the backs **18** and **19** into the back edge of the divider.

Keep tapping the nail screws **S** in until the back holders **T** dig into the small and large back.

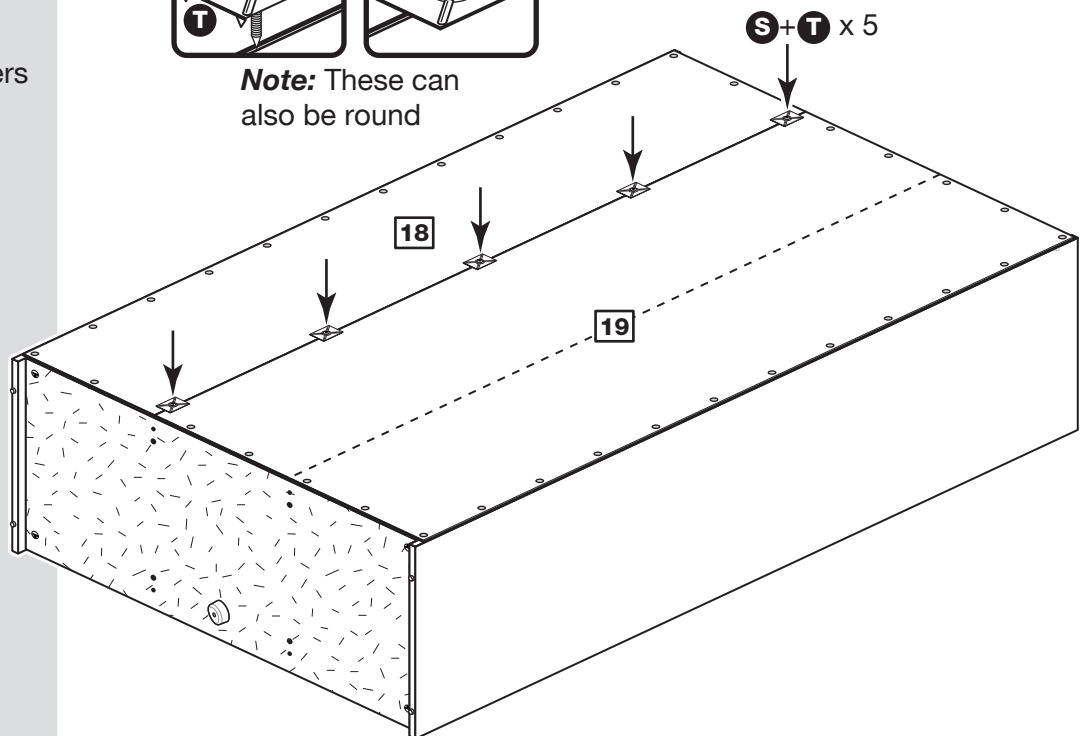
Stand the unit up for the next step.



Warning: The unit is heavy. Lift with care.



Note: These can also be round



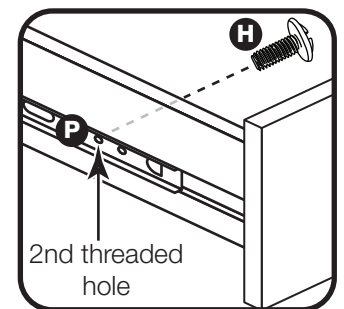
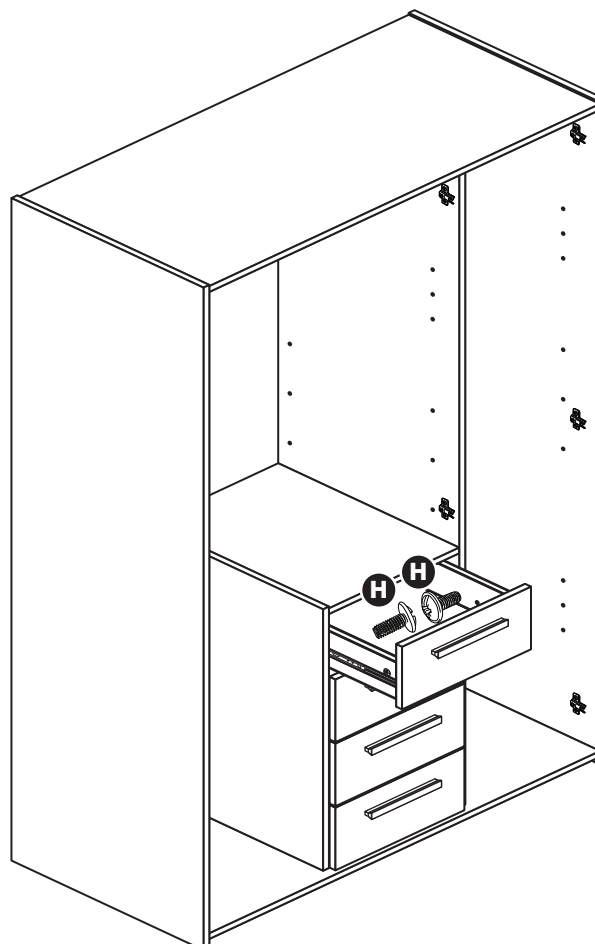
Step 25

Fit the hanging rail and the drawers

Starting with the bottom drawer, slide both the runners **P** forward and locate the drawer sides **4** and **5** between them, lining up the holes in the drawer wrap with the 2nd 'threaded' holes in the runners **P**.

Working from the inside of the drawer, insert 2 screws **H** through the drawer sides and out into the 2nd threaded hole in the runner.

Note: Do not overtighten the screws **H**. If they catch on the runner you may need to loosen them slightly.

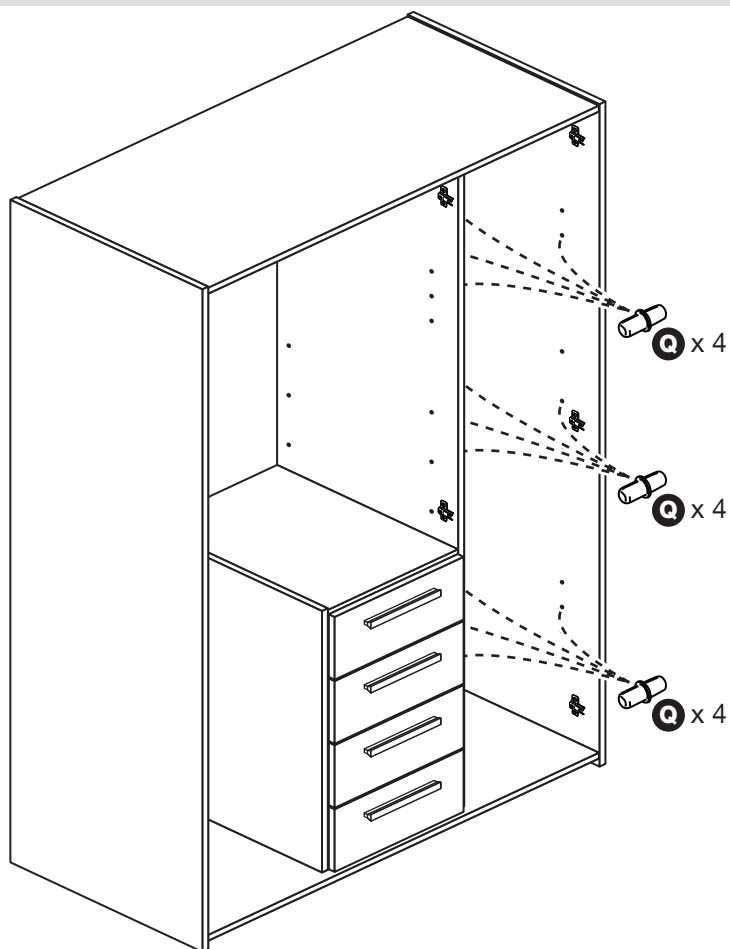


Assembly Instructions

Step 26

Fit the shelf studs

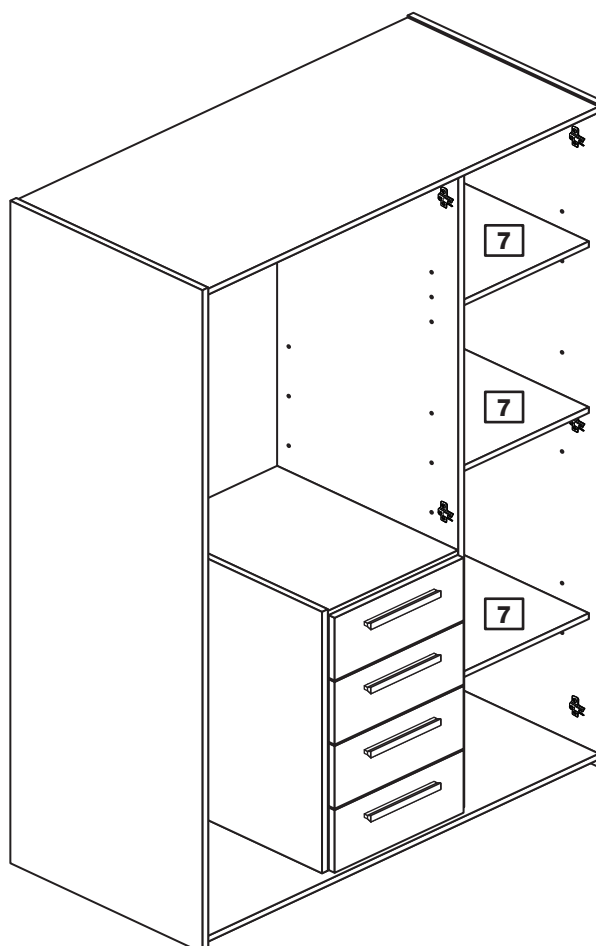
For each of the 3 shelves **7**, insert 4 shelf studs **Q** at the desired height.



Step 27

Fit the shelves

Lower the 3 shelves **7** down onto the shelf studs **Q**.

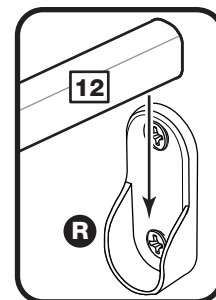
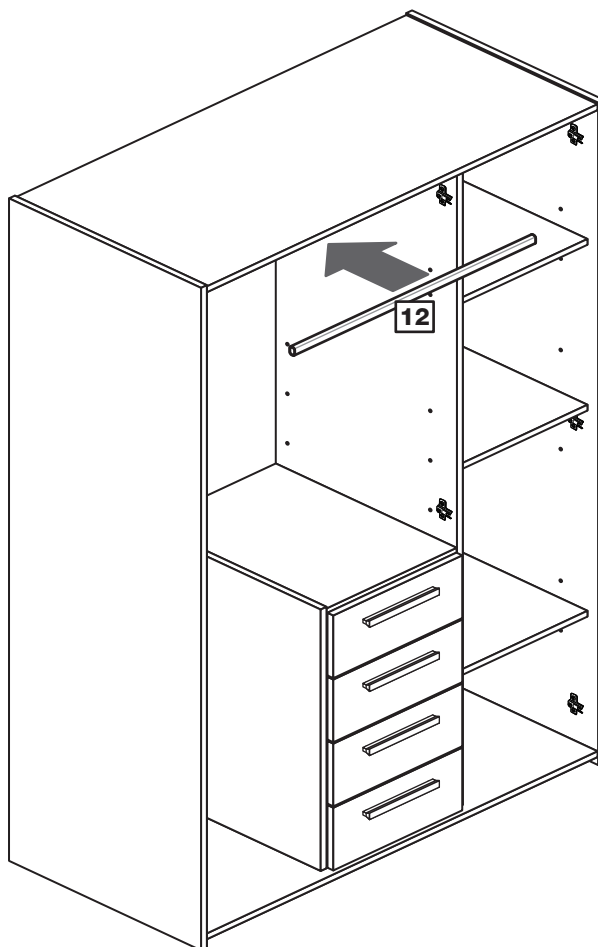


Assembly Instructions

Step 28

Fit the hanging rail

Push the hanging rail **12** into the rail holders **R** fitted to the side panels.



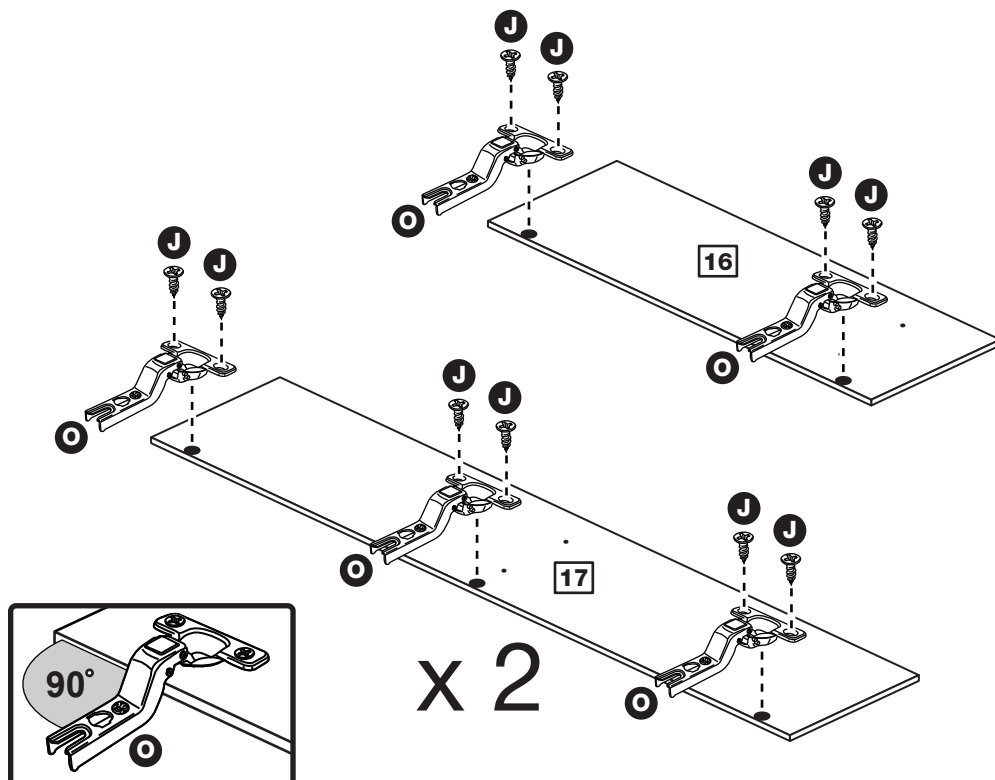
Step 29

Prepare the 3 doors

Push fit 3 hinges **O** into the centre door **16** and each of the large doors **17**.

Secure each hinge with 2 screws **J**.

Note: Before securing with the screws, make sure that the hinges are positioned at 90 degrees with the edge of the door.



Assembly Instructions

Step 30

Fit doors and handles

Note: The easiest way to attach each door **16** and **17** is to fit the top hinge first, then align and fit the other hinges.

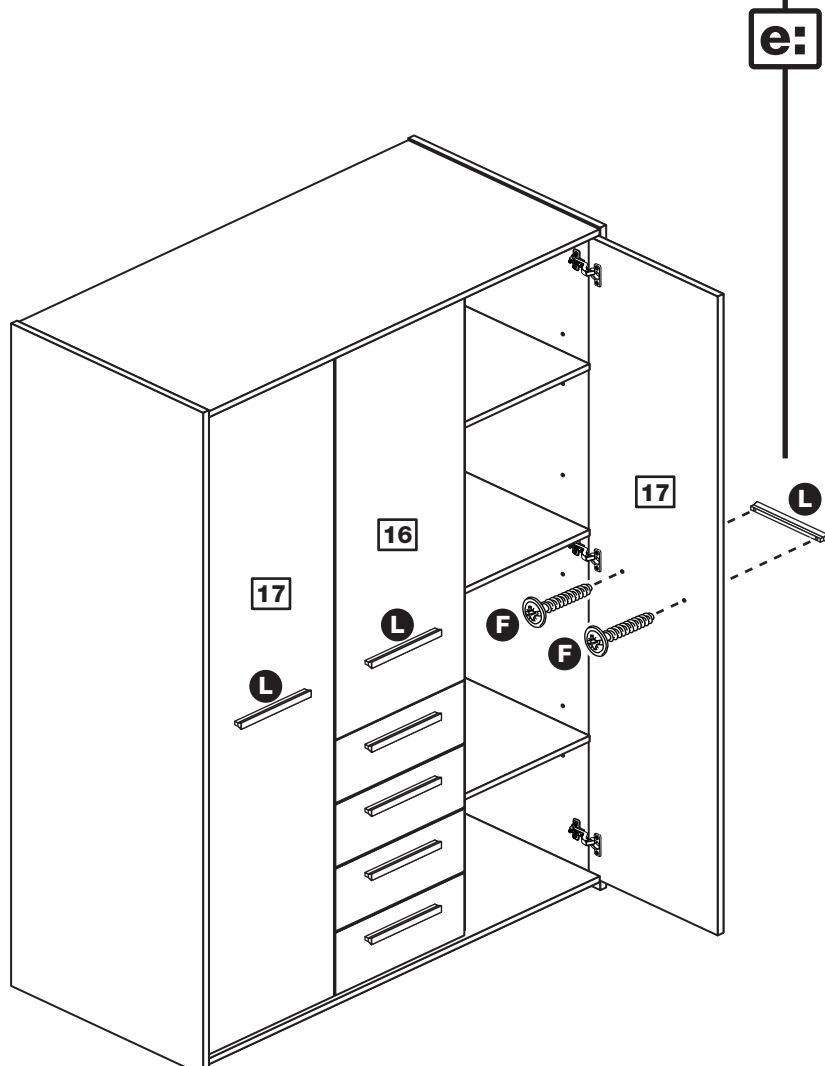
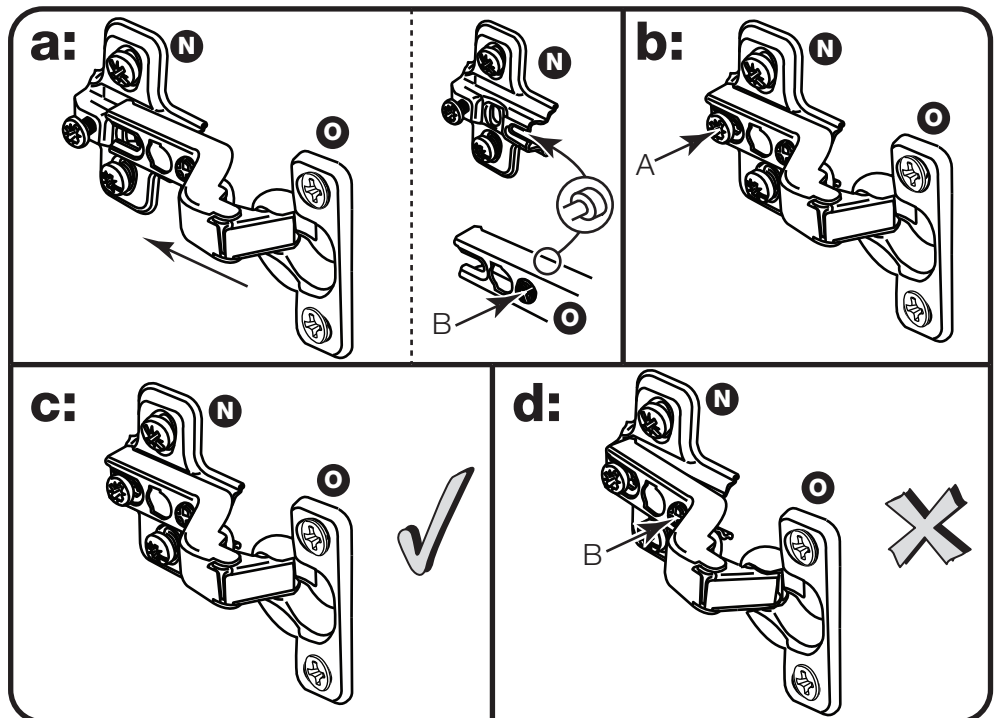
a: Push the hinge **O** onto the front part of the hinge plate **N**. The recess at the bottom of screw B goes into the slot in the hinge plate.

b: Keep the hinge **O** FLAT against the hinge plate **N** as you slide it across as far as it will go. Tighten screw A.

c: The hinge **O** must be flat against the hinge plate **N** prior to any adjustment.

d: The hinge **O** must NOT be AT AN ANGLE to the hinge plate **N** when assembled. This would indicate that the recess at the bottom of screw B had not located in the slot in the hinge plate and the hinge would not be secure. Remove the hinge from the hinge plate and then re-assemble being careful to follow instructions a-c.

e: Attach a handle **L** to each door **16** and **17** using 2 screws **F**.



Assembly Instructions

Step 31

Adjust the doors if needed

a: Before adjusting the doors, use a spirit level to check the base (or top) of the unit is level, front-to-back and side-to-side in the 3 positions shown. Use suitable packing pieces (not supplied) to make the unit level BEFORE making any adjustment to the hinges, as shown.

b: Height adjustment.

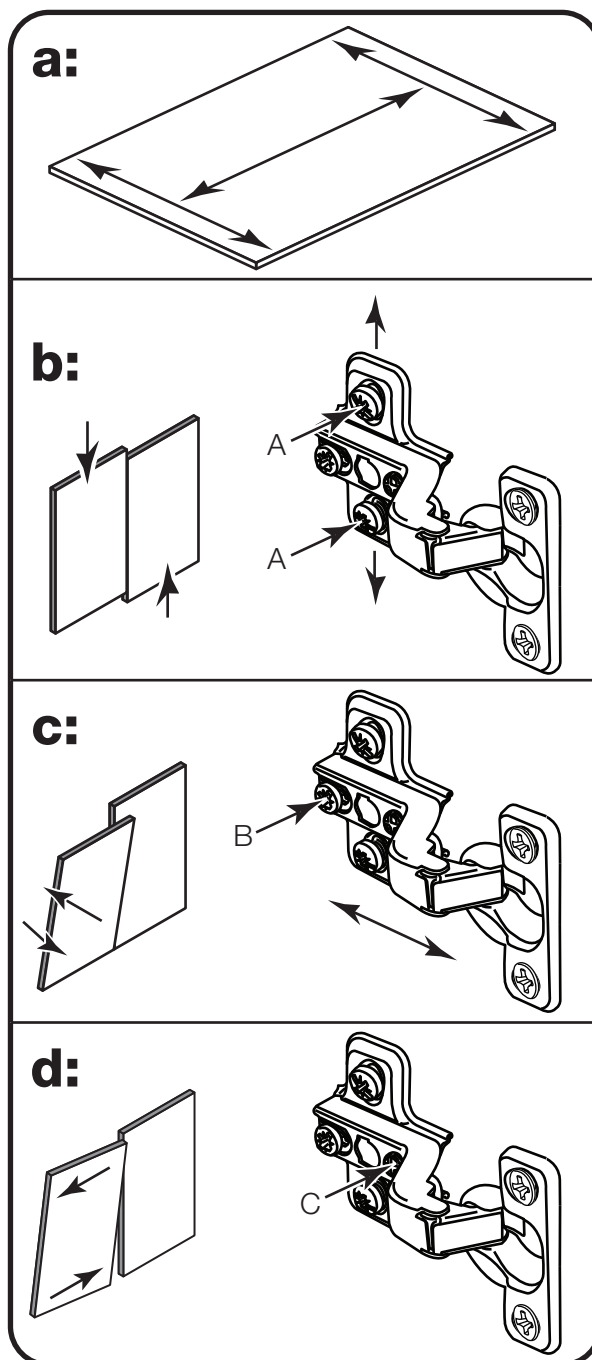
Loosen screws A on hinge plates and move door up or down as required. Retighten screw A.

c: Forward and Back adjustment.

Loosen screw B on hinge plate and move door in or out as required. Retighten screw B.

d: Sideways adjustment.

To move door 'out' loosen screw C. To move door 'in' tighten screw C.



Assembly Instructions

Step 32

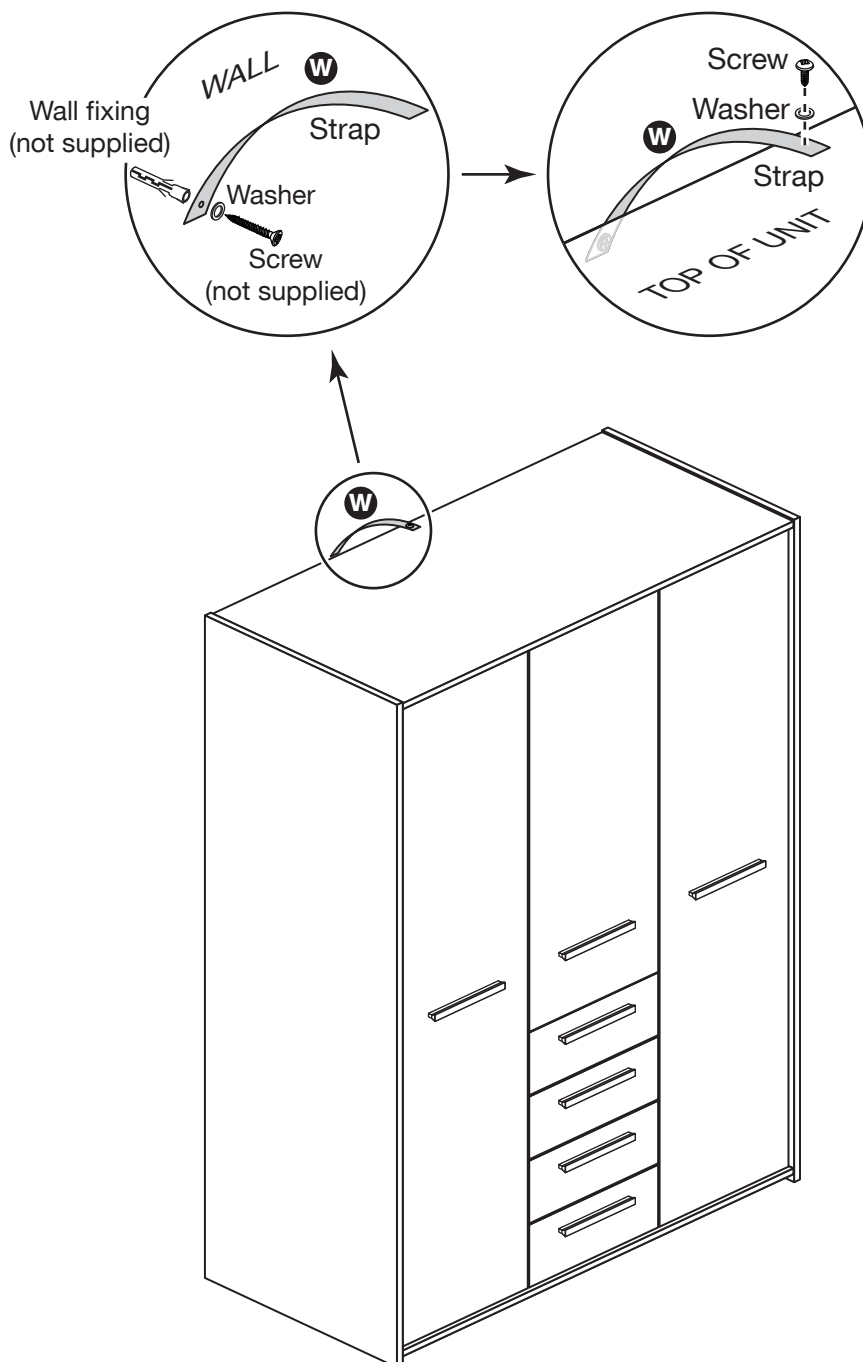
Fit the overbalance protector kit

To prevent possible overbalancing we recommend that this unit is secured to a suitable wall by fitting of the overbalance protector kit **W** to the unit, or an alternative fixing method of your choice.

Wall fixings are not supplied as they will need to suit the wall type.

Note: Take care when drilling the wall that you do not drill into any pipes, wires etc. If in doubt, consult an expert.

Assembly is complete



If you need help or have damaged or missing parts, call the Customer Helpline: 03456 400800 and quote the reference numbers on the component pages.

Argos Ltd, 489-499 Avebury Boulevard, Central Milton Keynes, MK9 2NW

New Sywell - 5 Drawer Chest

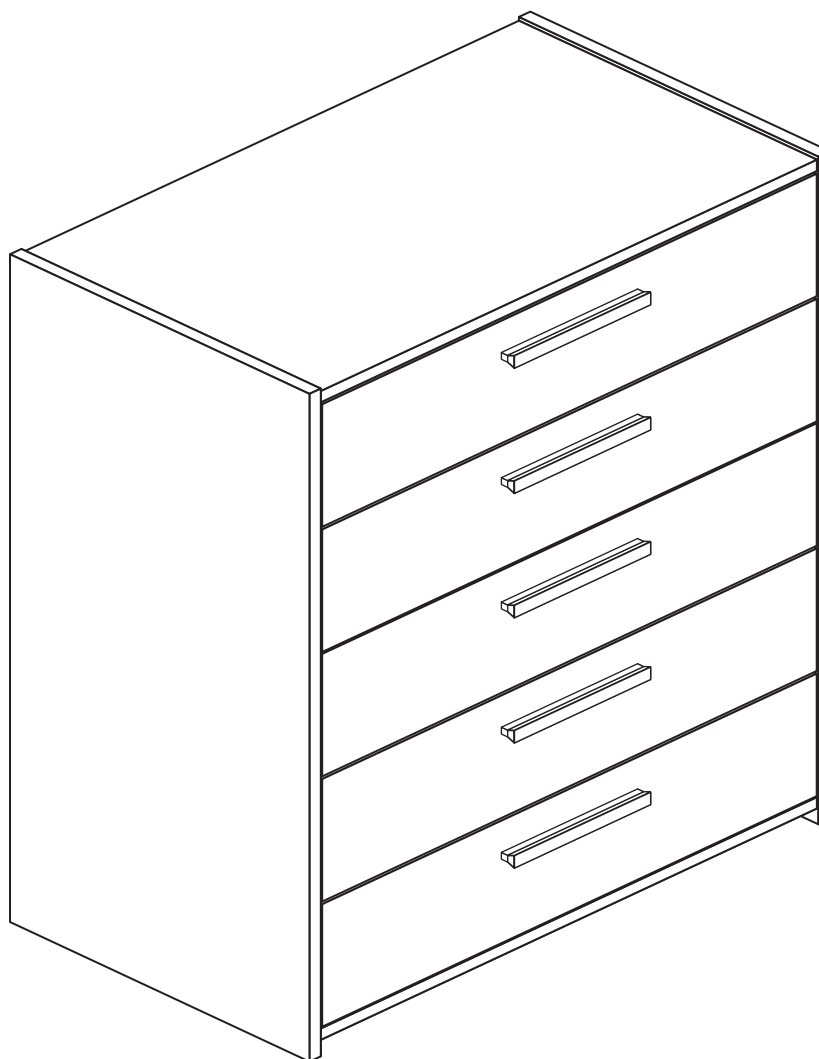
Assembly Instructions - Please keep for future reference

257/7579

280/2110

280/5935

282/2248



Dimensions

Width - 69cm

Depth - 40cm

Height - 88.5cm



**MADE IN
BRITAIN**

Important - Please read these instructions fully before starting assembly

If you need help or have damaged or missing parts, call the **Customer Helpline: 08456 400800**



Safety and Care Advice

Important - Please read these instructions fully before starting assembly

- **Warning:** This unit weighs approximately 28.5kgs. Please lift with care.

- Check you have all the components and tools listed on pages 2 and 3.

- Remove all fittings from the plastic bags and separate them into their groups.

- Keep children and animals away from the work area, small parts could choke if swallowed.

- Parts of the assembly will be easier with 2 people.

- Make sure you have enough space to layout the parts before starting.

- Do not stand or put weight on the product, this could cause damage.

- Assemble the item as close to its final position (in the same room) as possible.

- Assemble on a soft level surface to avoid damaging the unit or your floor (use opened out unit carton).



- We do not recommend the use of power drill/drivers **for inserting screws**, as this could damage the unit. Only use hand screwdrivers.

- **Safety note:** It is recommended that this unit is secured to a wall using the bracket supplied.

- Dispose of all packaging carefully and responsibly.

Care and maintenance

- Only clean using a damp cloth and mild detergent, do not use bleach or abrasive cleaners.

- From time to time check that there are no loose screws on this unit.

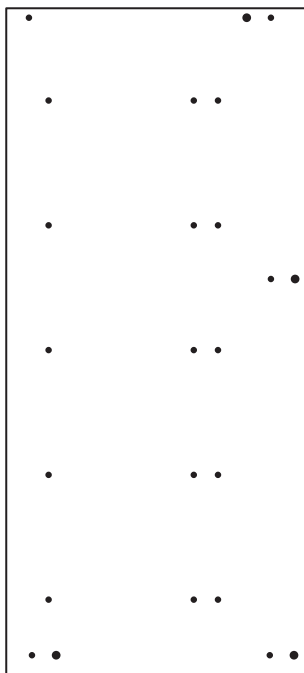
- This product should not be discarded with household waste. Take to your local authority waste disposal centre.

Note: If required the next page can be cut out and used as reference throughout the assembly. Keep this page with these instructions for future reference.

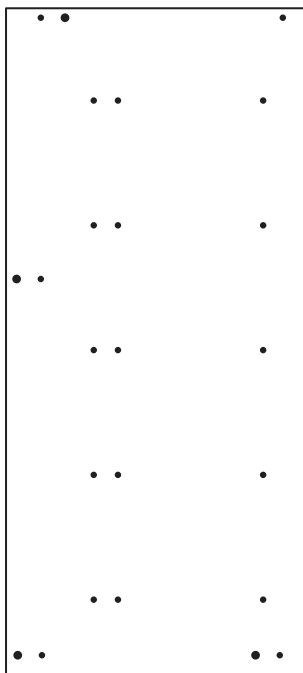
Components - Panels

If you have damaged or missing components, call the **Customer Helpline: 08456 400800** quoting the reference numbers below

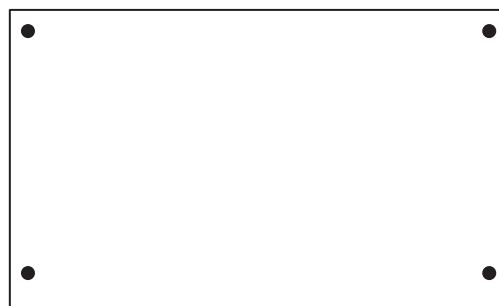
Please check you have all the panels listed below



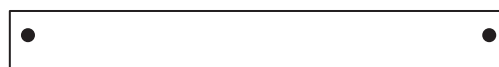
1 Left Side (D2552A)
(883 x 396mm)



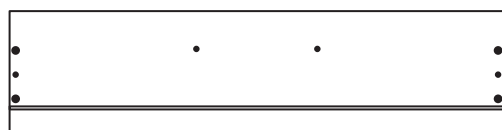
2 Right Side (D2555A)
(883 x 396mm)



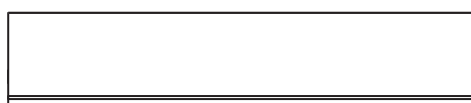
3 Top (D2546A)
(658 x 394mm)



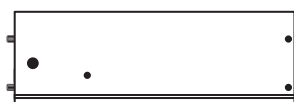
4 Rail (D2549A)
(658 x 78mm) x 3



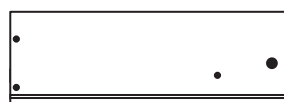
5 Drawer Front (D2550A)
(654 x 162mm) x 5



6 Drawer Back (W625-124)
(625 x 124mm) x 5



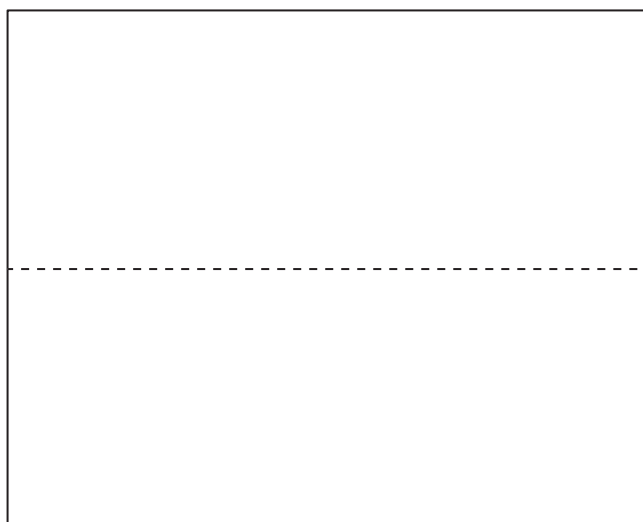
7 Left Drawer Side (W370-124LH)
(370 x 124mm) x 5



8 Right Drawer Side (W370-124RH)
(370 x 124mm) x 5



9 Drawer Base (T636-327)
(636 x 367mm) x 5



10 Back (X684-524)
(854 x 684mm)


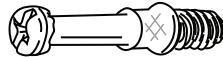







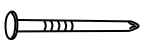
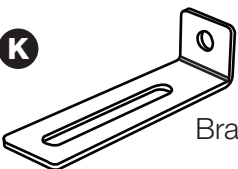
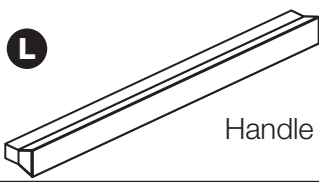


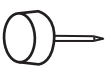


Components - Fittings

If you have damaged or missing components, call the **Customer Helpline: 08456 400800** quoting the reference numbers below

Please check you have all the fittings listed below

Note: The quantities below are the correct amount to complete the assembly. In some cases more fittings may be supplied than are required.

<p>A </p> <p>Wooden dowel (F22) x 8</p>	<p>B </p> <p>Metal dowel (F901) x 20</p>	<p>C </p> <p>Knock-in Peg (F171) x 20</p>
<p>D </p> <p>Large locking nut (F900) x 10</p>	<p>E </p> <p>Small locking nut (F3) x 10</p>	<p>F </p> <p>25mm Screw (F95) x 10</p>
<p>G </p> <p>13mm Screw (F79) x 1</p>	<p>H </p> <p>9mm Screw (F74) x 10</p>	<p>I </p> <p>9mm Screw (F73) x 20</p>
<p>J </p> <p>Nail (F51) x 21</p>	<p>K </p> <p>Bracket (F327) x 1</p>	<p>L </p> <p>Handle (F315) x 5</p>
<p>M </p> <p>Drawer runner (F1004) x 10</p>		
<p>N </p> <p>Wedgefix (F639) x 20</p>	<p>O </p> <p>Plastic Nail (F91) x 4</p>	

Tools required



Rule



Cross-head screwdriver



Scissors



Hammer

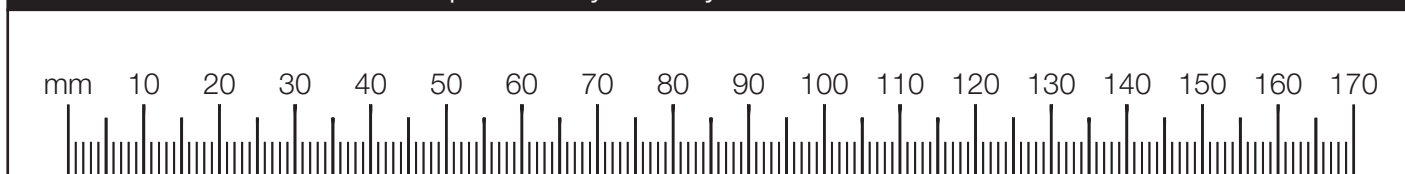


Eye protection
(when using a hammer or drill)



Electric drill
(do not use for fitting screws)

Ruler - Use this ruler to help correctly identify the screws



Assembly Instructions

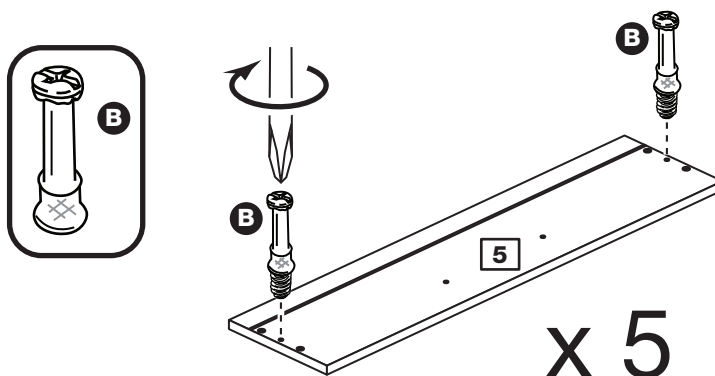
If you have damaged or missing components, call the
Customer Helpline: 08456 400800 quoting the reference
numbers below

Step 1

Prepare the drawer fronts

Screw 2 metal dowels **B** into the holes shown on the back of each drawer front **5**.

Note: Tighten the metal dowels up fully against the panels.

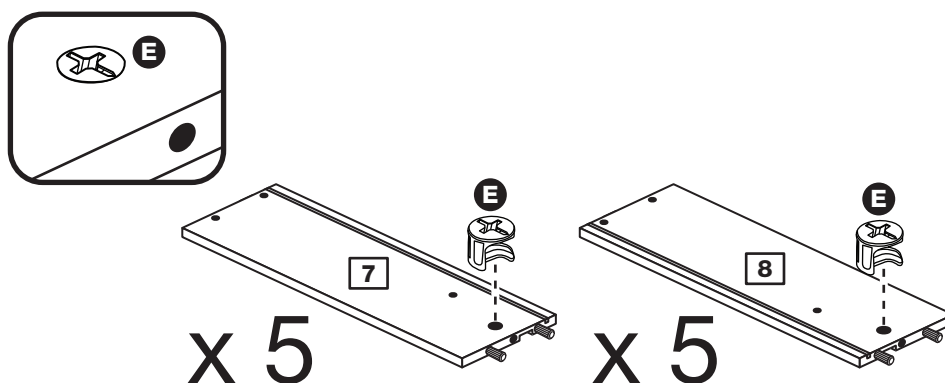


Step 2

Prepare the drawer sides

Insert a small locking nut **E** into the hole shown on the left drawer side **7** and right drawer side **8**.

Note: Arrow on locking nut **must** point towards hole in edge of panel.



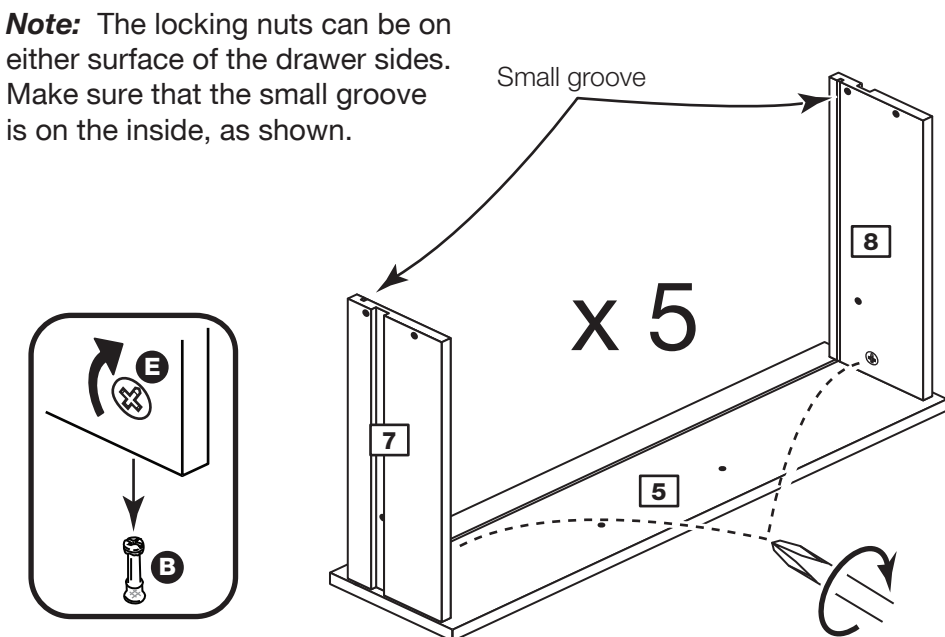
Step 3

Attach the drawer sides to the drawer front

Push the left drawer side **7** and right drawer side **8** onto the back of the drawer front **5**.

Turn the small locking nuts **E** on the left drawer side **7** and right drawer side **8**.

Note: Turn the locking nuts **E** clockwise to secure panels - more than 1/2 a turn.

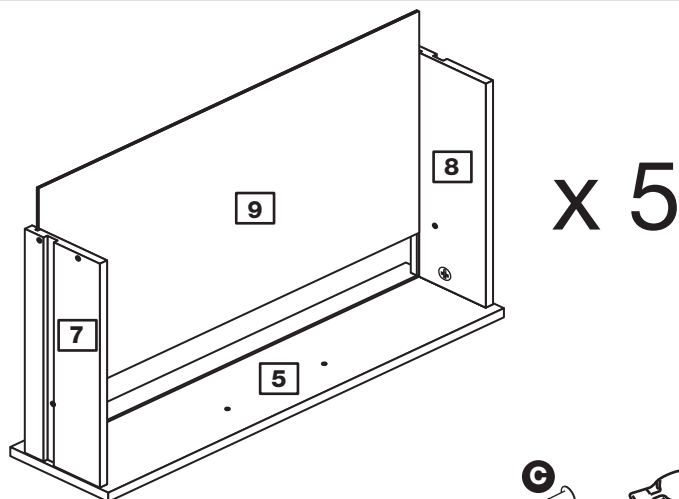


Assembly Instructions

Step 4

Fit the drawer base

Slide the drawer base **9** down the grooves in the drawer sides **7** and **8** and down into the groove in the drawer front **5**.



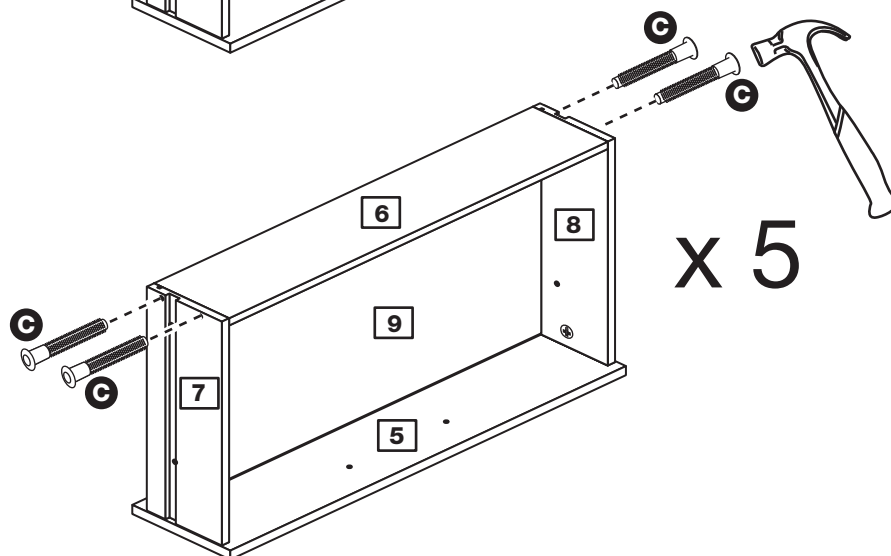
Step 5

Fit the drawer back

Fit the drawer back **6** down onto the drawer base **9**.

Make sure that the drawer base **9** fits into the groove in the drawer back **6**.

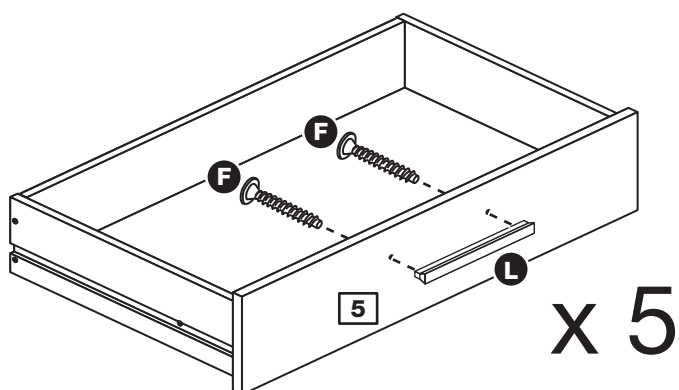
Hold the drawer back **6** in position and tap the knock-in pegs **C** through the holes in the drawer sides **7** and **8**.



Step 6

Attach the handles

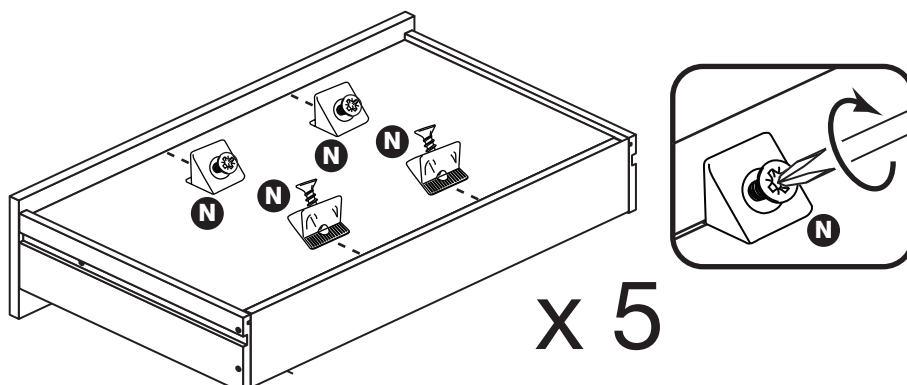
Attach a handle **L** to each drawer front **5** using 2 screws **F**.



Step 7

Fit the wedgexes

Turn the drawer assemblies over and slide 4 wedgexes **N** into the front and back grooves, as shown, and tighten up the screws.



Assembly Instructions

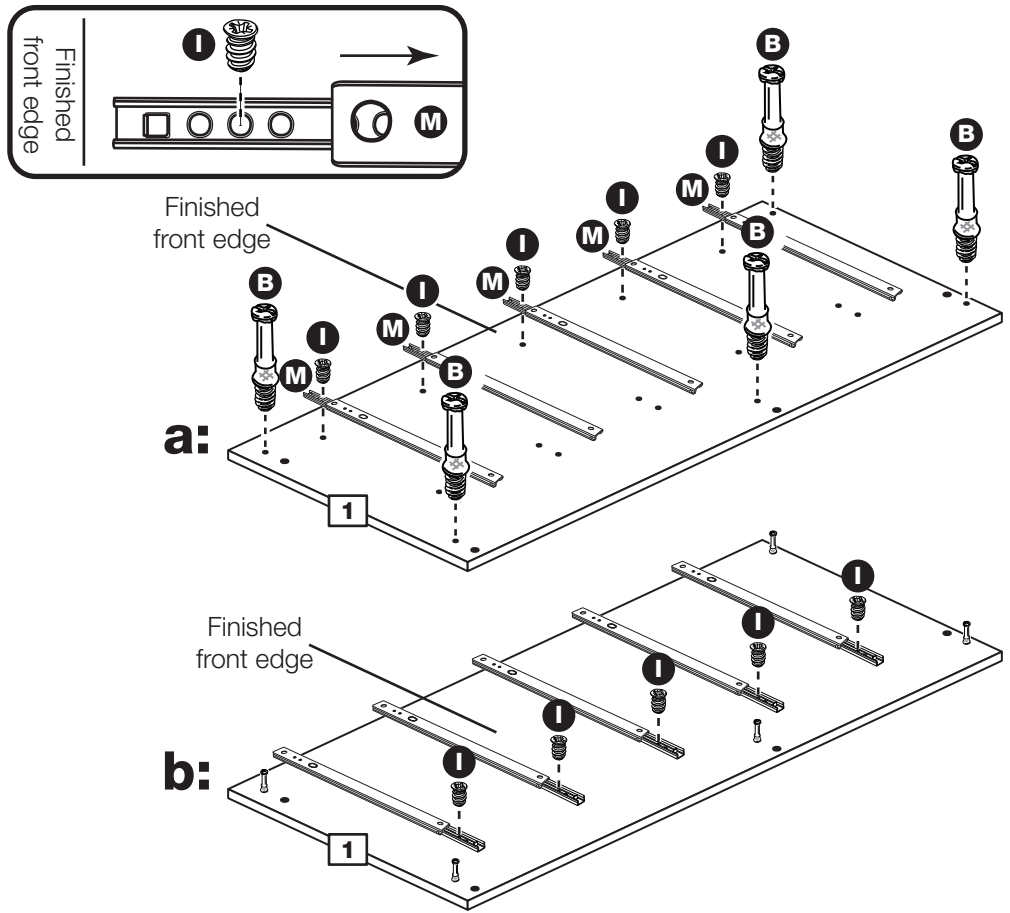
Step 8

Prepare the left side

a: Place 5 runners **M** on the left side **1**. Slide back the top of the runner and use the 2nd hole from the front to fit the 1st screw **I**.

Screw 5 metal dowels **B** into the left side **1**.

b: Slide the runner **M** back the other way and fit the 2nd screw **I** into the corresponding hole in the left side **1**.



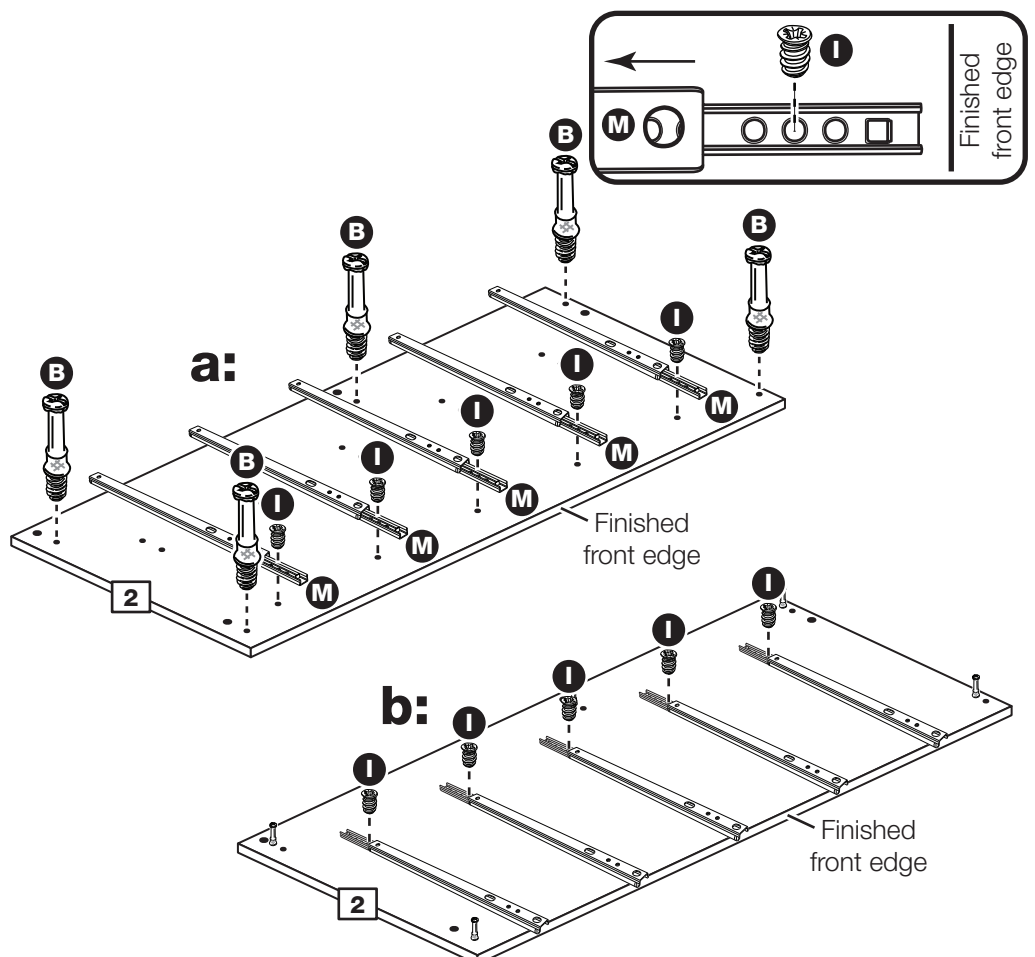
Step 9

Prepare the right side

a: Place 5 runners **M** on the right side **2**. Slide back the top of the runner and use the 2nd hole from the front to fit the 1st screw **I**.

Screw 5 metal dowels **B** into the right side **2**.

b: Slide the runner **M** back the other way and fit the 2nd screw **I** into the corresponding hole in the right side **2**.



Assembly Instructions

Step 10

Prepare the top

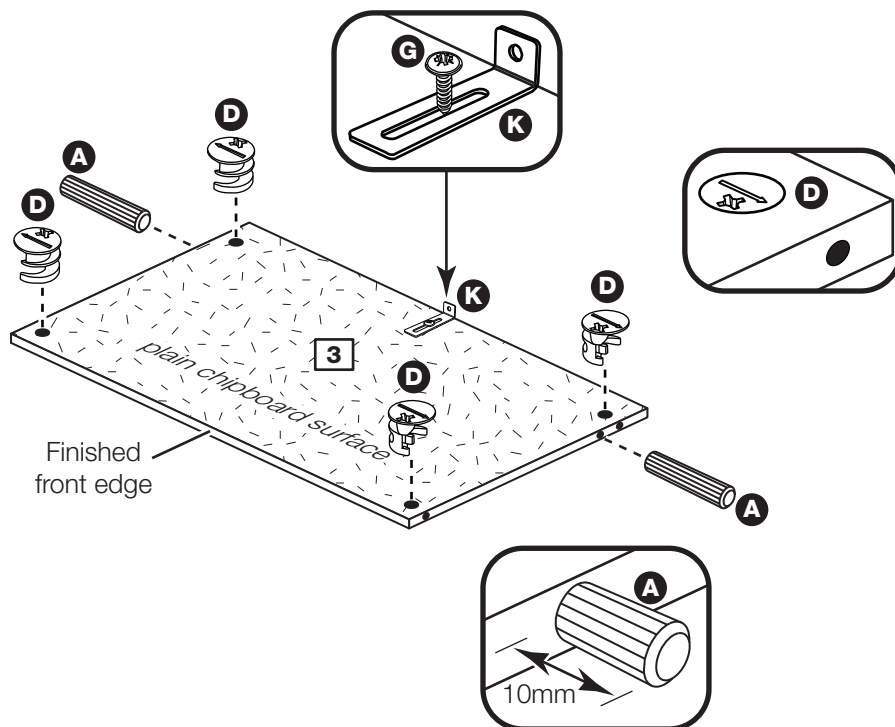
Tap 2 wooden dowels **A** into the top **3**.

Note: Wooden dowels **must not** stick out from the edge by more than 10mm or they may damage other panels.

Insert 4 large locking nuts **D** into the top **3**.

Note: The arrow on the locking nut **must** point towards the hole in the edge of the panel.

Fix the bracket **K** in the middle of the top **3**, flush to the back edge using screw **G**.



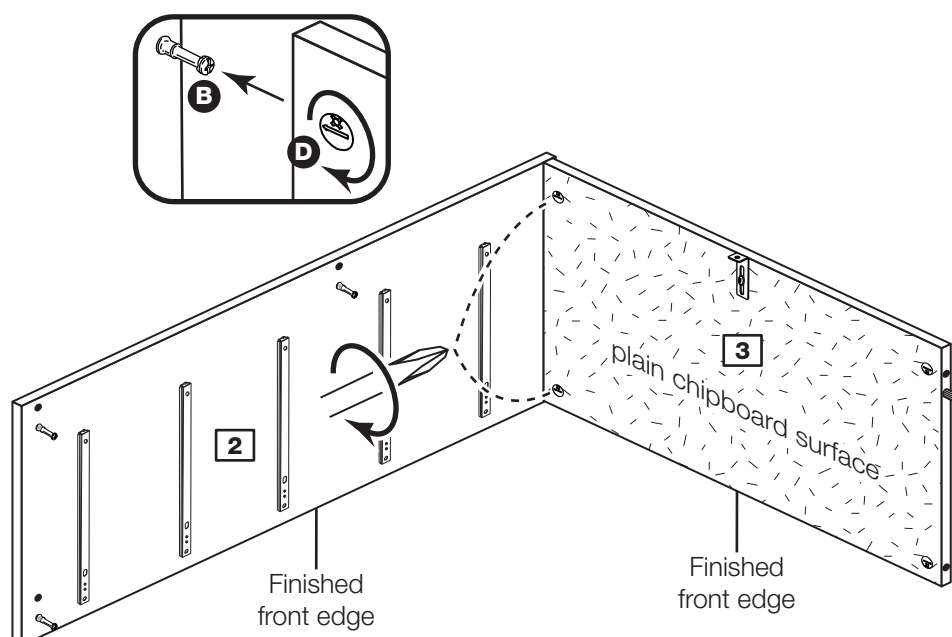
Step 11

Fit the top to the right side

Push the top **3** onto the right side **2**.

Use a screwdriver to tighten the 2 large locking nuts **D** fitted to the top **3**.

Note: Turn the large locking nuts **D** as far as they will go - more than 1/2 a turn.



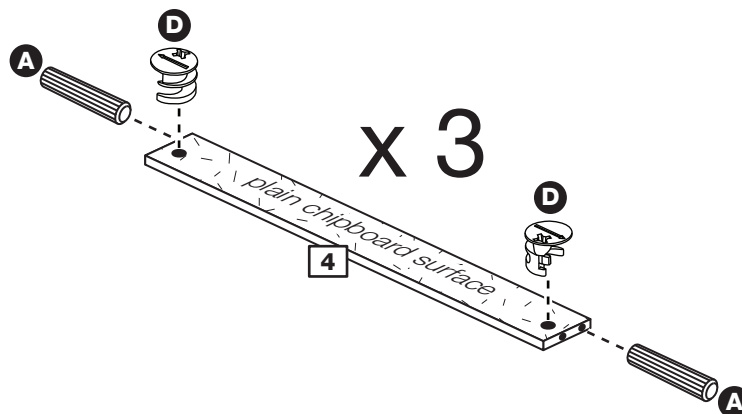
Assembly Instructions

Step 12

Prepare the 3 rails

Tap 2 wooden dowels **A** into each of the 3 rails **4**.

Insert 2 large locking nuts **D** into each of the 3 rails **4**.

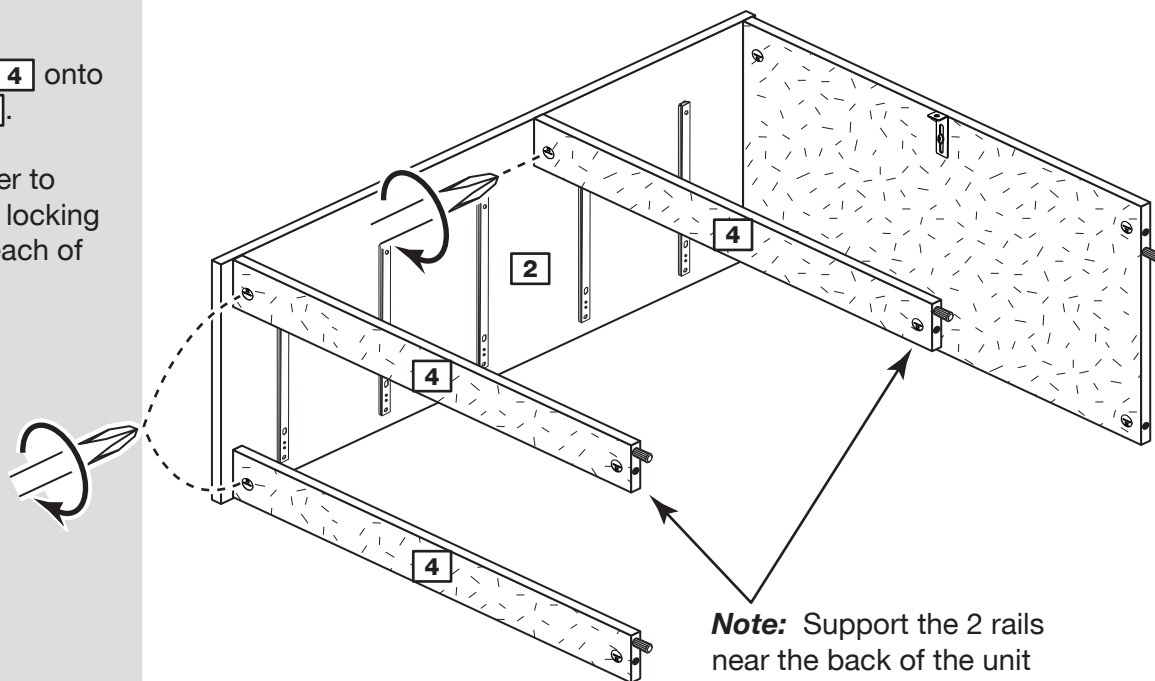


Step 13

Fit the 3 rails

Push the 3 rails **4** onto the right side **2**.

Use a screwdriver to tighten the large locking nut **D** fitted to each of the 3 rails **4**.



Note: Support the 2 rails near the back of the unit until the left side has been fitted in the next step.

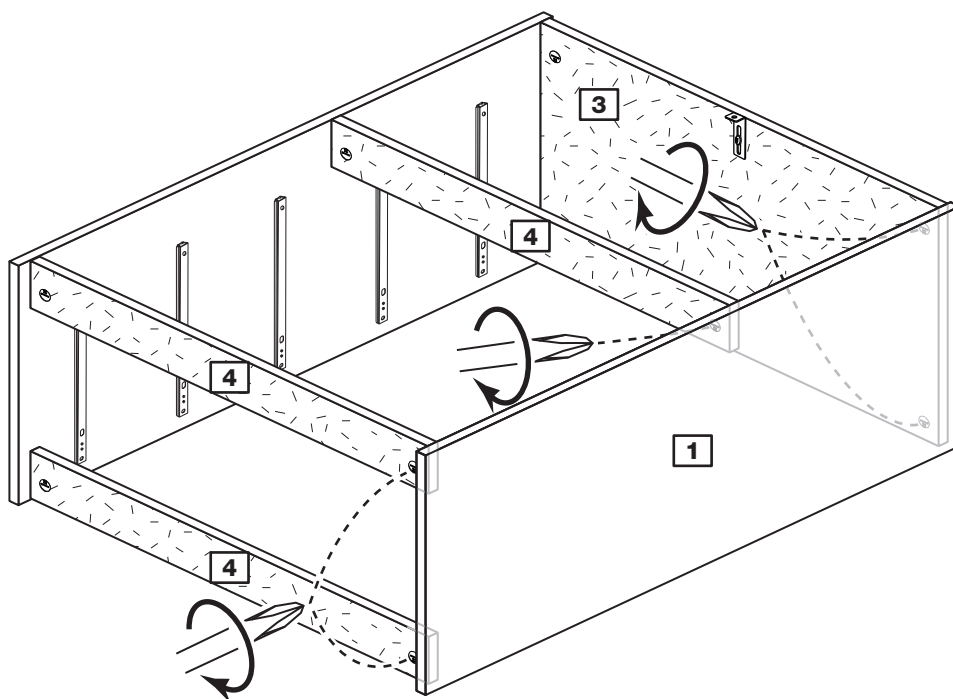
Assembly Instructions

Step 14

Fit the left side

Push the left side **1** onto the assembly.

Use a screwdriver to tighten the 5 large locking nuts **D** fitted to the top **3** and the 3 rails **4**.



Step 15

Fit the back

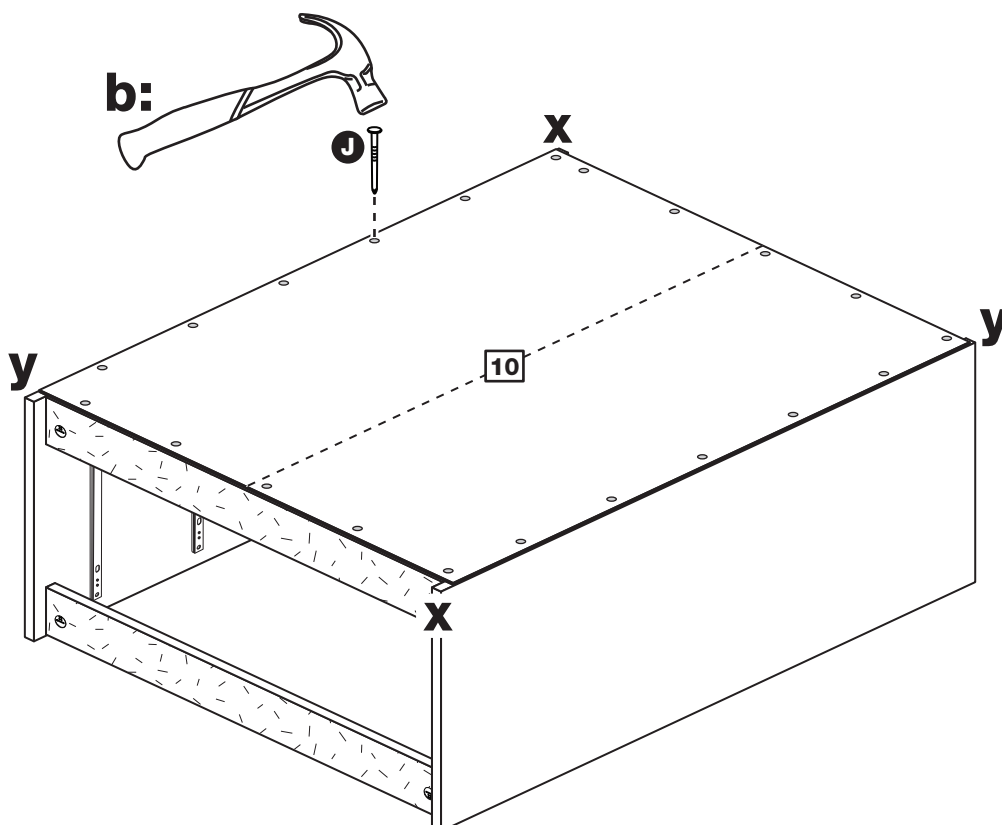
a: Square up the unit by making sure that measurement **x to x** equals **y to y**.

b: Place the back **10** onto the unit.

Nail **J** around the outside edges of the back **10**.

Note: Nails should be spaced about 150mm apart.

a: The measurement from top corner X to bottom corner X must be equal to the measurement from top corner Y to bottom corner Y



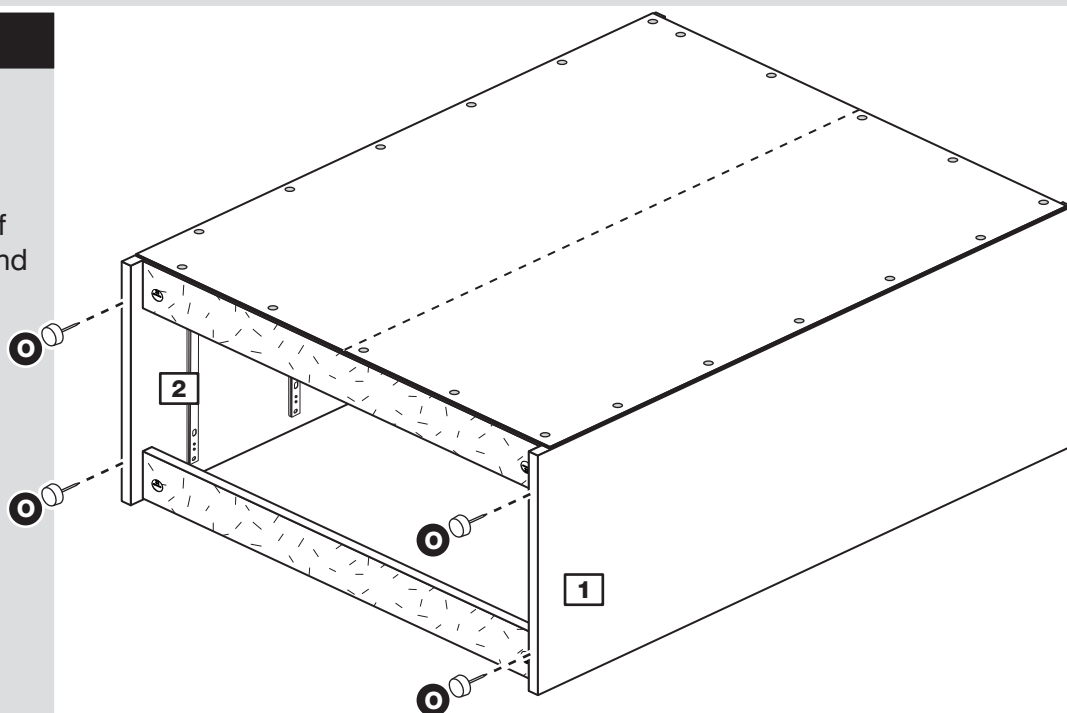
Assembly Instructions

Step 16

Fit the plastic nails

Tap 2 plastic nails **O** into the bottom edge of each of the sides **1** and **2**.

Stand the unit up for the next step.



Step 17

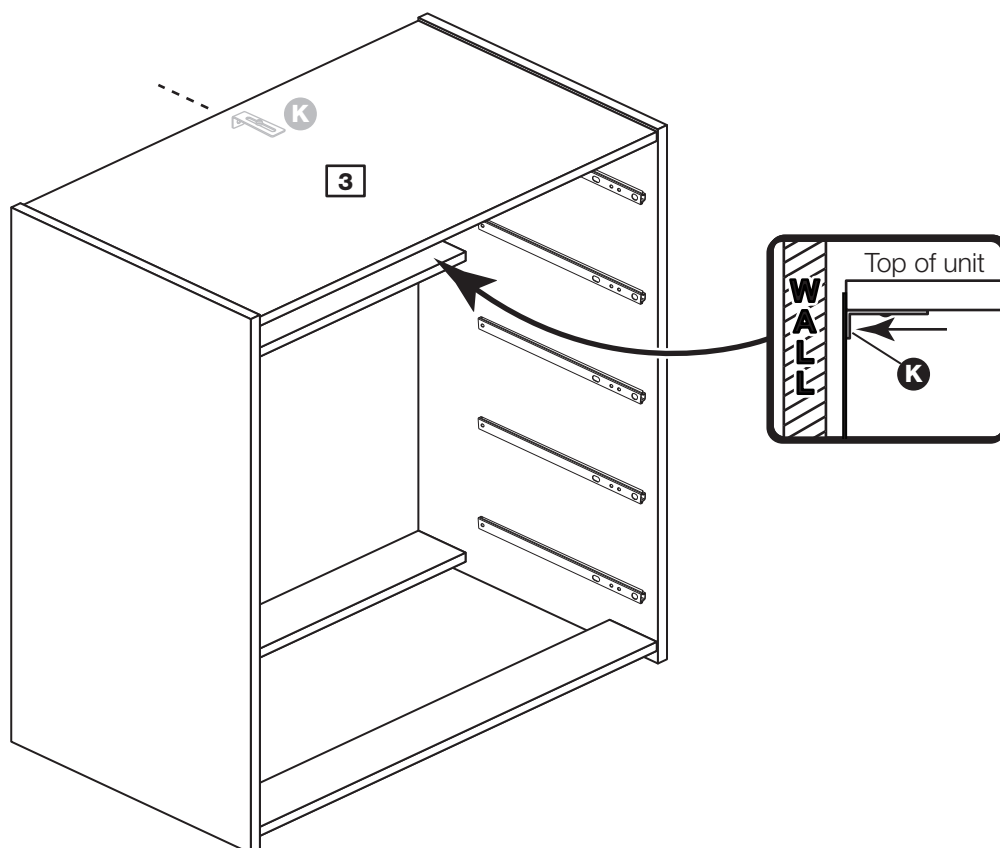
Secure unit to a wall

To prevent possible overbalancing we recommend that this unit is secured to a suitable wall by use of the metal bracket **K** fitted under the top **3** of the unit.

Fixings are not supplied as they will need to suit the wall type, and the length of screw will depend on the distance of the back of the unit to the wall.



Warning: Take care when drilling the wall that you do not drill into any pipes, wires etc. If in doubt, consult an expert.



Assembly Instructions

Step 18

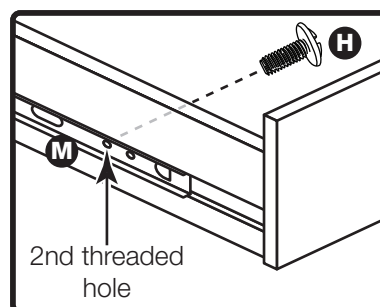
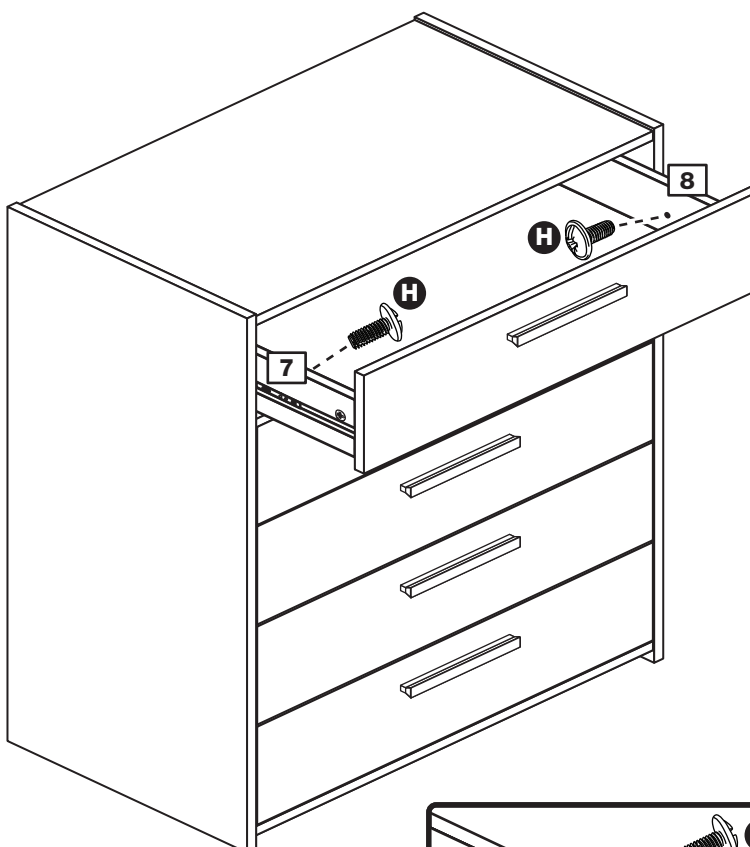
Fit the drawers

Starting with the bottom drawer, slide both the runners **M** forward and locate the drawer sides **7** and **8** between them, lining up the holes in the drawer wrap with the 2nd 'threaded' holes in the runners **M**.

Working from the inside of the drawer, insert 2 screws **H** through the sides and out into the 2nd threaded hole in the runner.

Note: Do not over-tighten the screws **H. If they catch on the runner you may need to loosen them slightly.**

Assembly is complete



If you need help or have damaged or missing parts, call the Customer Helpline: 08456 400800 and quote the reference numbers on the component pages.

Argos Ltd, 489-499 Avebury Boulevard, Central Milton Keynes, MK9 2NW

New Sywell - 5 Drawer Chest

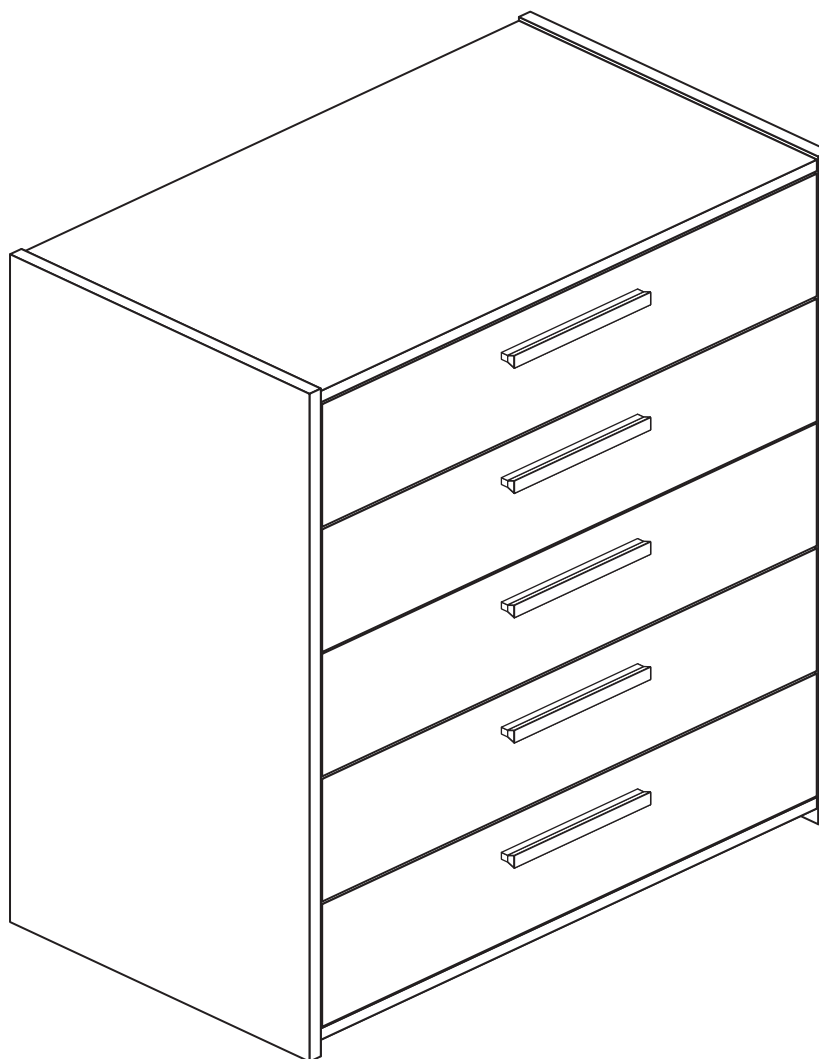
Assembly Instructions - Please keep for future reference

257/7579

280/2110

280/5935

282/2248



Dimensions

Width - 69cm

Depth - 40cm

Height - 88.5cm



**MADE IN
BRITAIN**

Important - Please read these instructions fully before starting assembly

If you need help or have damaged or missing parts, call the **Customer Helpline: 03456 400800**



Safety and Care Advice

Important - Please read these instructions fully before starting assembly

- **Warning:** This unit weighs approximately 28.5kgs. Please lift with care.

- Check you have all the components and tools listed on pages 2 and 3.

- Remove all fittings from the plastic bags and separate them into their groups.

- Keep children and animals away from the work area, small parts could choke if swallowed.

- Parts of the assembly will be easier with 2 people.

- Make sure you have enough space to layout the parts before starting.

- Do not stand or put weight on the product, this could cause damage.

- Assemble the item as close to its final position (in the same room) as possible.

- Assemble on a soft level surface to avoid damaging the unit or your floor (use opened out unit carton).



- We do not recommend the use of power drill/drivers **for inserting screws**, as this could damage the unit. Only use hand screwdrivers.

- **Safety note:** It is recommended that this unit is secured to a wall using the bracket supplied.

- Dispose of all packaging carefully and responsibly.

Care and maintenance

- Only clean using a damp cloth and mild detergent, do not use bleach or abrasive cleaners.

- From time to time check that there are no loose screws on this unit.

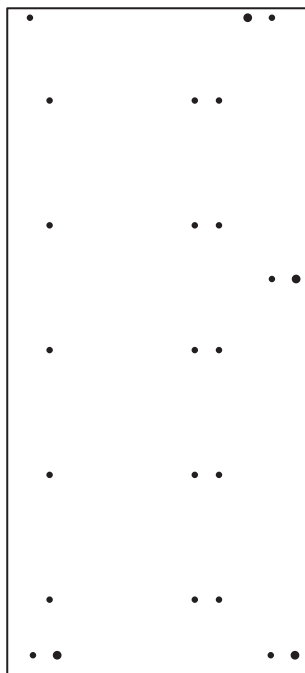
- This product should not be discarded with household waste. Take to your local authority waste disposal centre.

Note: If required the next page can be cut out and used as reference throughout the assembly. Keep this page with these instructions for future reference.

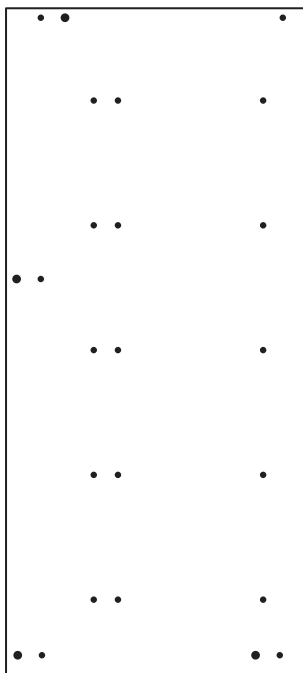
Components - Panels

If you have damaged or missing components, call the **Customer Helpline: 03456 400800** quoting the reference numbers below

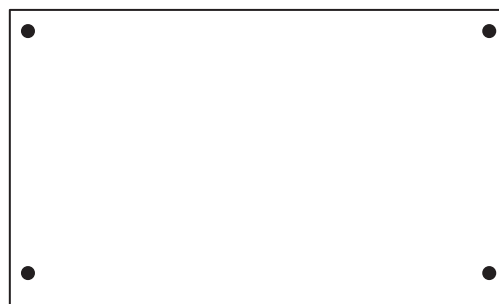
Please check you have all the panels listed below



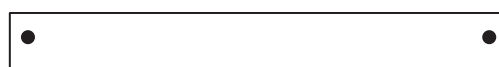
1 Left Side (D2552A)
(883 x 396mm)



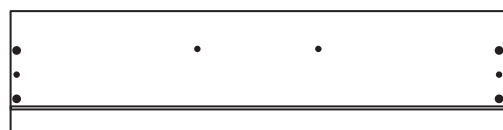
2 Right Side (D2555A)
(883 x 396mm)



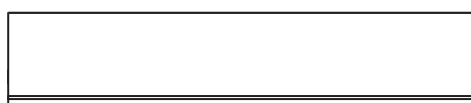
3 Top (D2546A)
(658 x 394mm)



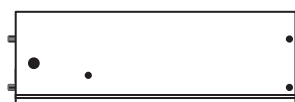
4 Rail (D2549A)
(658 x 78mm) x 3



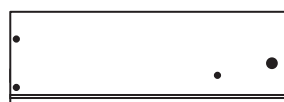
5 Drawer Front (D2550A)
(654 x 162mm) x 5



6 Drawer Back (W625-124)
(625 x 124mm) x 5



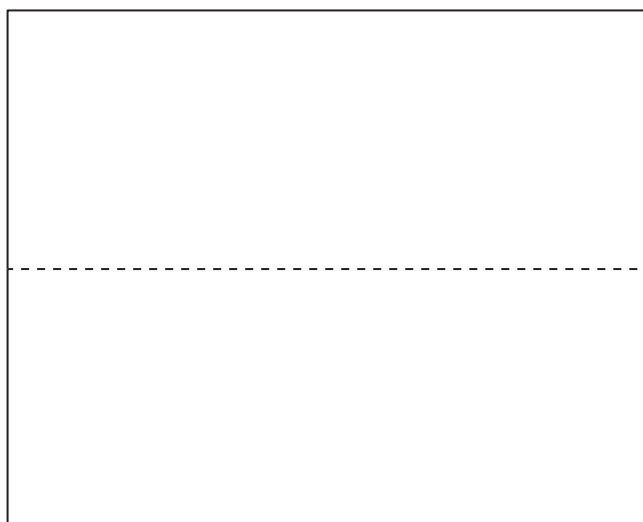
7 Left Drawer Side (W370-124LH)
(370 x 124mm) x 5



8 Right Drawer Side (W370-124RH)
(370 x 124mm) x 5



9 Drawer Base (T636-327)
(636 x 367mm) x 5



10 Back (X684-524)
(854 x 684mm)

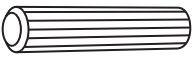
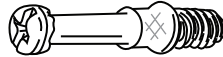




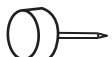


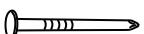

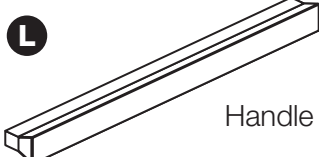

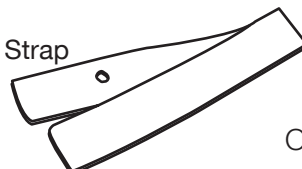




Components - Fittings

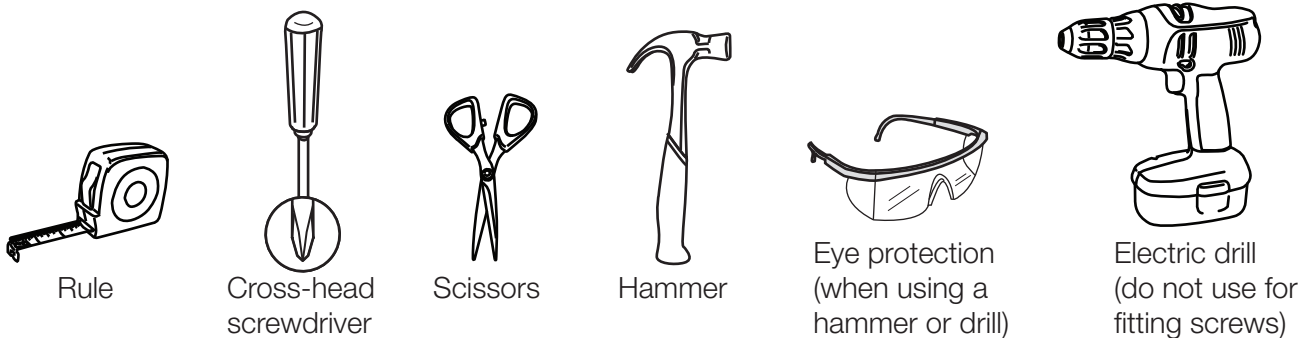
If you have damaged or missing components, call the **Customer Helpline: 03456 400800** quoting the reference numbers below

Please check you have all the fittings listed below

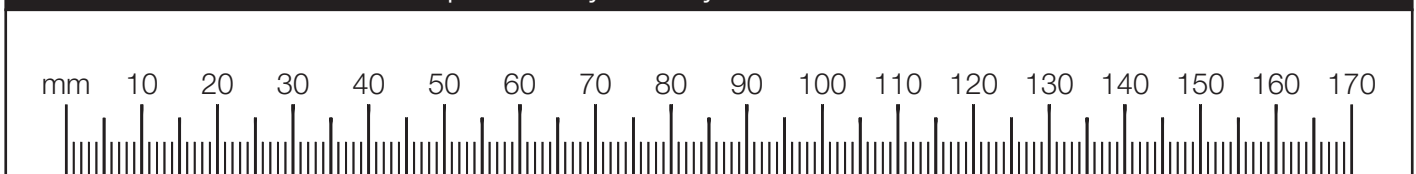
Note: The quantities below are the correct amount to complete the assembly. In some cases more fittings may be supplied than are required.

<p>A </p> <p>Wooden dowel (F22) x 8</p>	<p>B </p> <p>Metal dowel (F901) x 20</p>	<p>C </p> <p>Knock-in Peg (F171) x 20</p>
<p>D </p> <p>Large locking nut (F900) x 10</p>	<p>E </p> <p>Small locking nut (F3) x 10</p>	<p>F </p> <p>25mm Screw (F95) x 10</p>
<p>G </p> <p>Plastic Nail (F91) x 4</p>	<p>H </p> <p>9mm Screw (F74) x 10</p>	<p>I </p> <p>9mm Screw (F73) x 20</p>
<p>J </p> <p>Nail (F51) x 21</p>	<p>K </p> <p>Wedgefix (F639) x 20</p>	<p>L </p> <p>Handle (F315) x 5</p>
<p>M </p> <p>Drawer runner (F1004) x 10</p>		
<p>N   Screw  Washer x 2</p> <p>Overbalance protector kit (F269) x 1</p>		

Tools required



Ruler - Use this ruler to help correctly identify the screws



Assembly Instructions

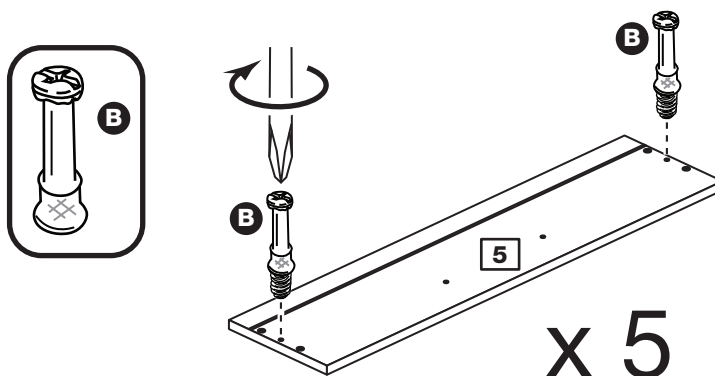
If you have damaged or missing components, call the Customer Helpline: 03456 400800 quoting the reference numbers below

Step 1

Prepare the drawer fronts

Screw 2 metal dowels **B** into the holes shown on the back of each drawer front **5**.

Note: Tighten the metal dowels up fully against the panels.

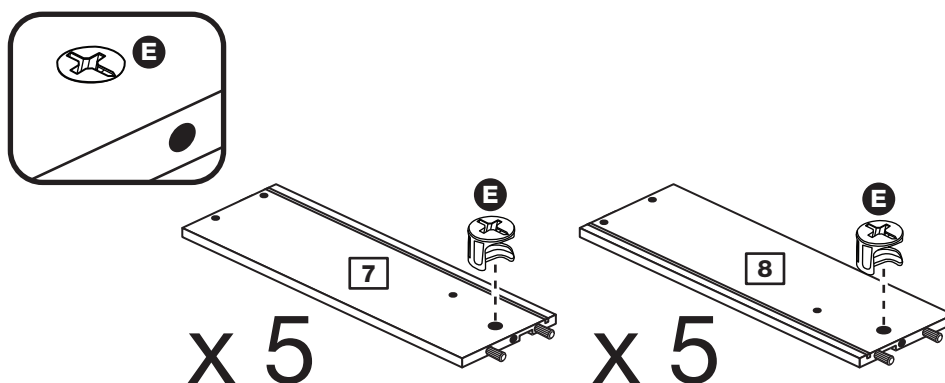


Step 2

Prepare the drawer sides

Insert a small locking nut **E** into the hole shown on the left drawer side **7** and right drawer side **8**.

Note: Arrow on locking nut **must** point towards hole in edge of panel.



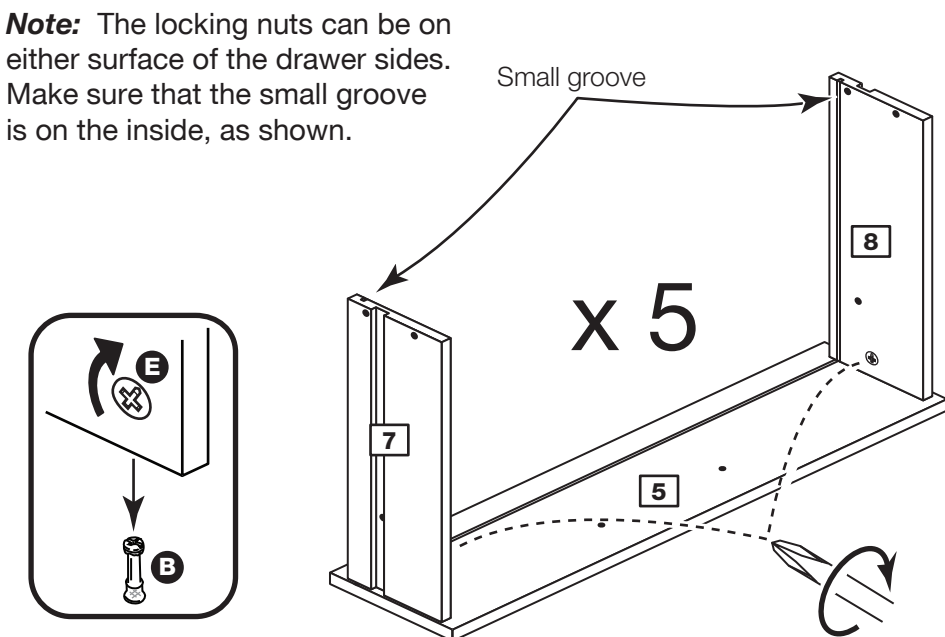
Step 3

Attach the drawer sides to the drawer front

Push the left drawer side **7** and right drawer side **8** onto the back of the drawer front **5**.

Turn the small locking nuts **E** on the left drawer side **7** and right drawer side **8**.

Note: Turn the locking nuts **E** clockwise to secure panels - more than 1/2 a turn.

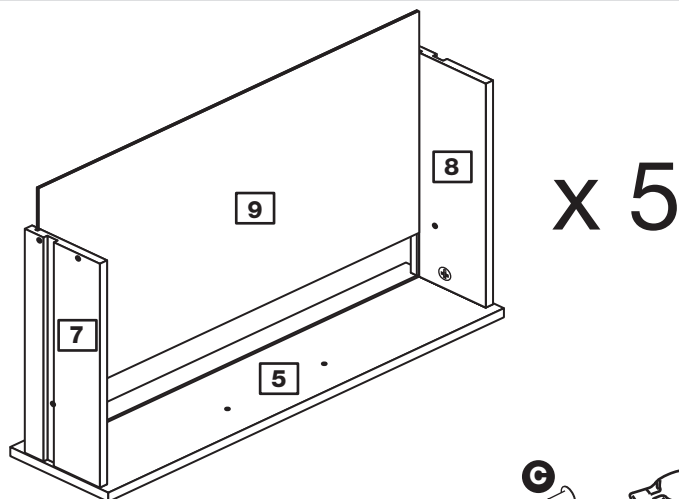


Assembly Instructions

Step 4

Fit the drawer base

Slide the drawer base **9** down the grooves in the drawer sides **7** and **8** and down into the groove in the drawer front **5**.



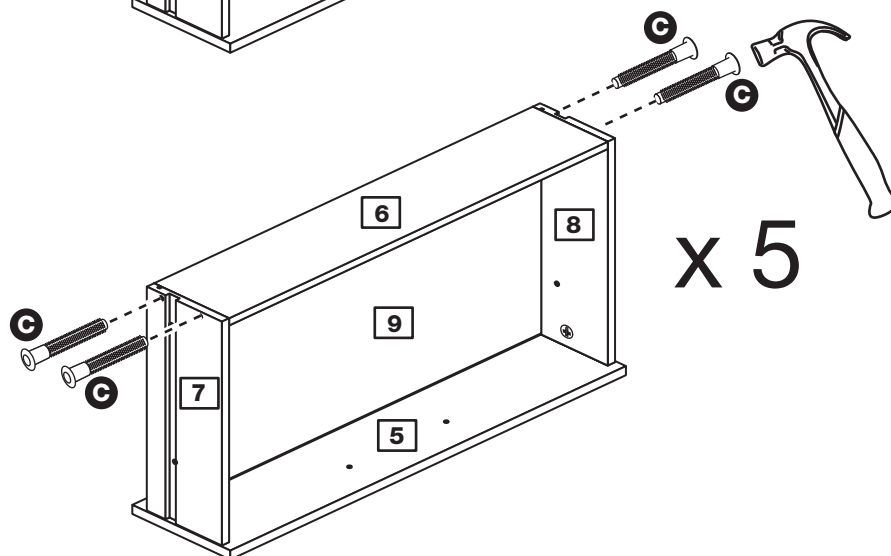
Step 5

Fit the drawer back

Fit the drawer back **6** down onto the drawer base **9**.

Make sure that the drawer base **9** fits into the groove in the drawer back **6**.

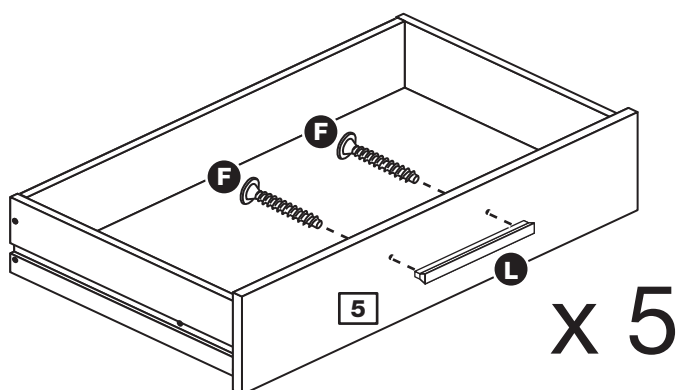
Hold the drawer back **6** in position and tap the knock-in pegs **C** through the holes in the drawer sides **7** and **8**.



Step 6

Attach the handles

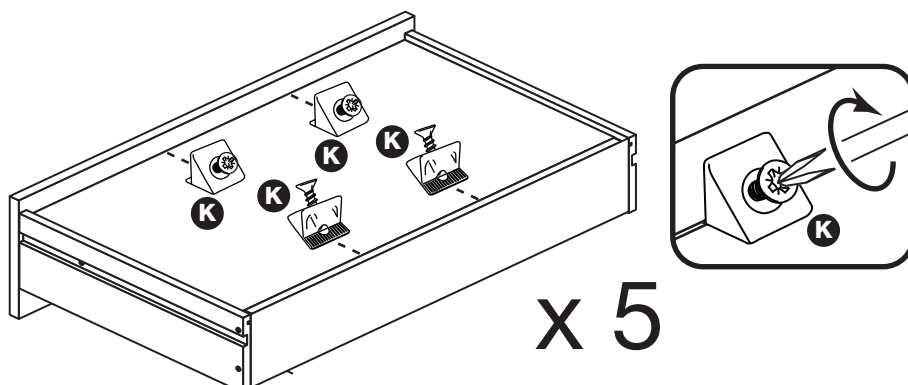
Attach a handle **L** to each drawer front **5** using 2 screws **F**.



Step 7

Fit the wedgexes

Turn the drawer assemblies over and slide 4 wedgexes **K** into the front and back grooves, as shown, and tighten up the screws.



Assembly Instructions

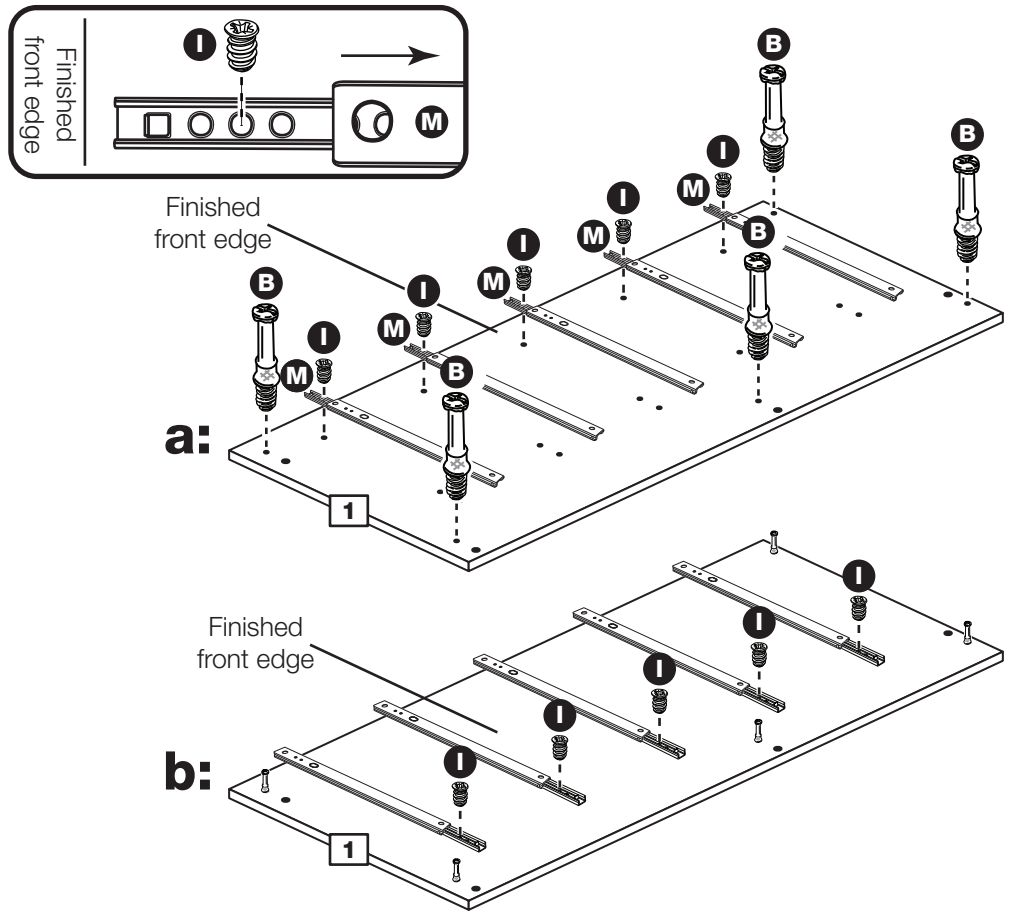
Step 8

Prepare the left side

a: Place 5 runners **M** on the left side **1**. Slide back the top of the runner and use the 2nd hole from the front to fit the 1st screw **I**.

Screw 5 metal dowels **B** into the left side **1**.

b: Slide the runner **M** back the other way and fit the 2nd screw **I** into the corresponding hole in the left side **1**.



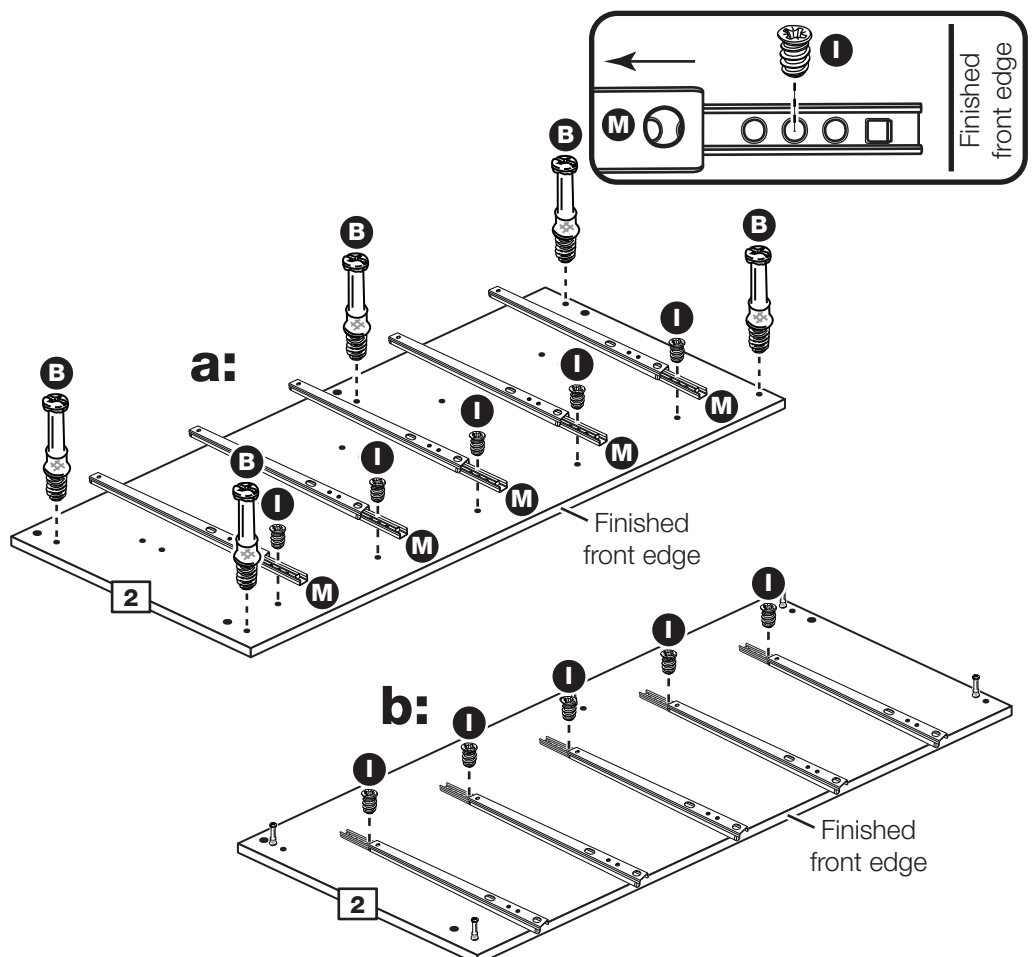
Step 9

Prepare the right side

a: Place 5 runners **M** on the right side **2**. Slide back the top of the runner and use the 2nd hole from the front to fit the 1st screw **I**.

Screw 5 metal dowels **B** into the right side **2**.

b: Slide the runner **M** back the other way and fit the 2nd screw **I** into the corresponding hole in the right side **2**.



Assembly Instructions

Step 10

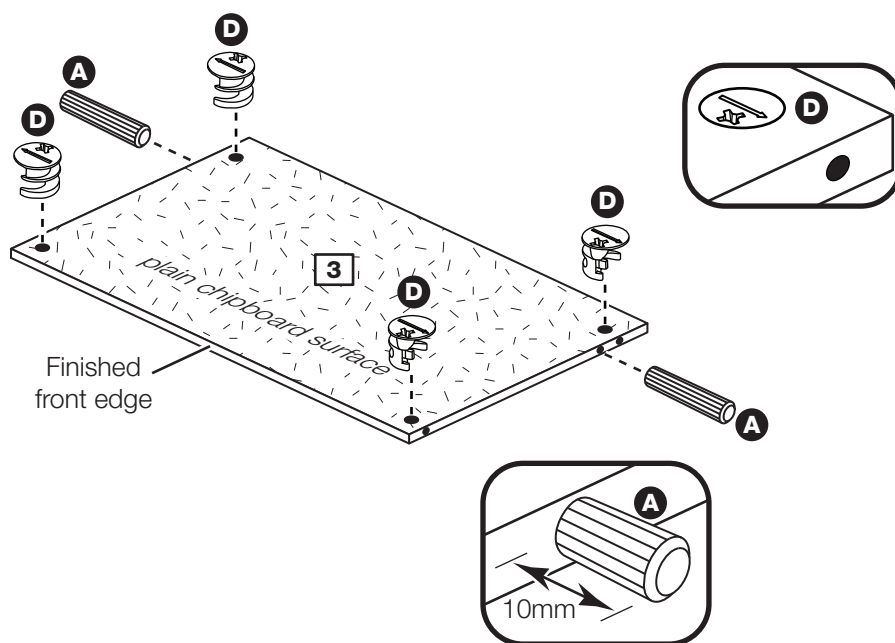
Prepare the top

Tap 2 wooden dowels **A** into the top **3**.

Note: Wooden dowels **must not** stick out from the edge by more than 10mm or they may damage other panels.

Insert 4 large locking nuts **D** into the top **3**.

Note: The arrow on the locking nut **must** point towards the hole in the edge of the panel.



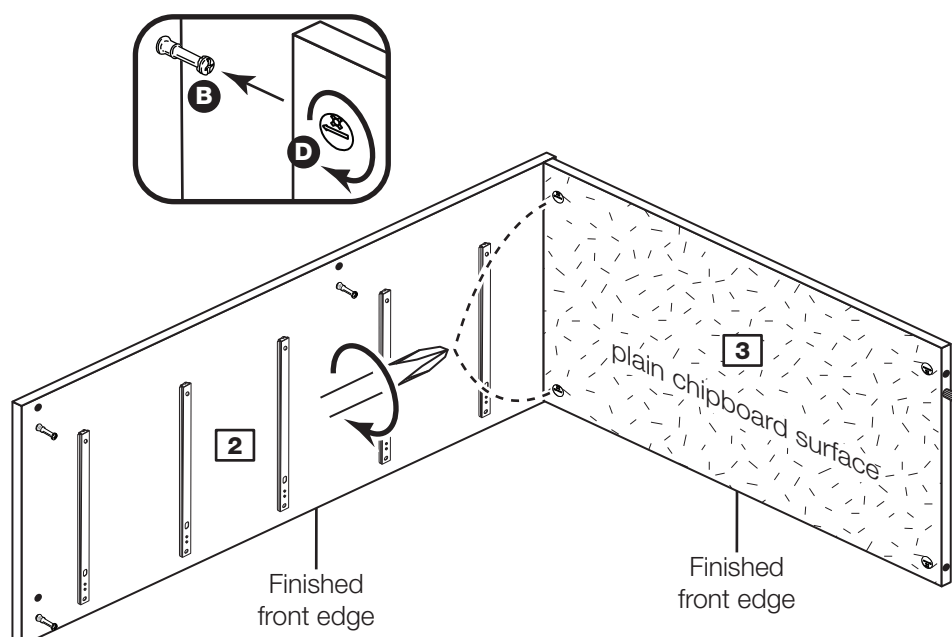
Step 11

Fit the top to the right side

Push the top **3** onto the right side **2**.

Use a screwdriver to tighten the 2 large locking nuts **D** fitted to the top **3**.

Note: Turn the large locking nuts **D** as far as they will go - more than 1/2 a turn.



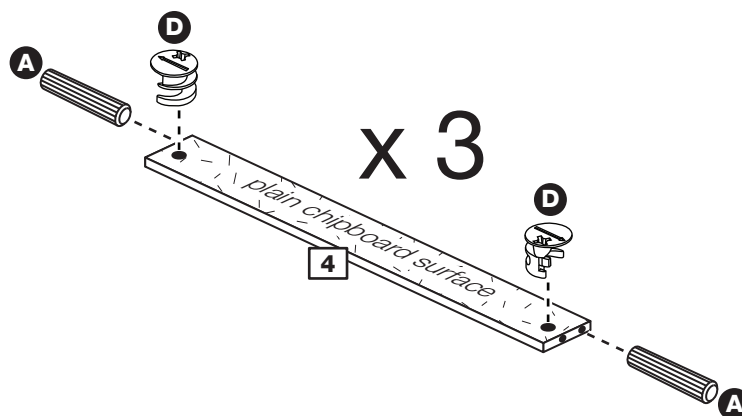
Assembly Instructions

Step 12

Prepare the 3 rails

Tap 2 wooden dowels **A** into each of the 3 rails **4**.

Insert 2 large locking nuts **D** into each of the 3 rails **4**.

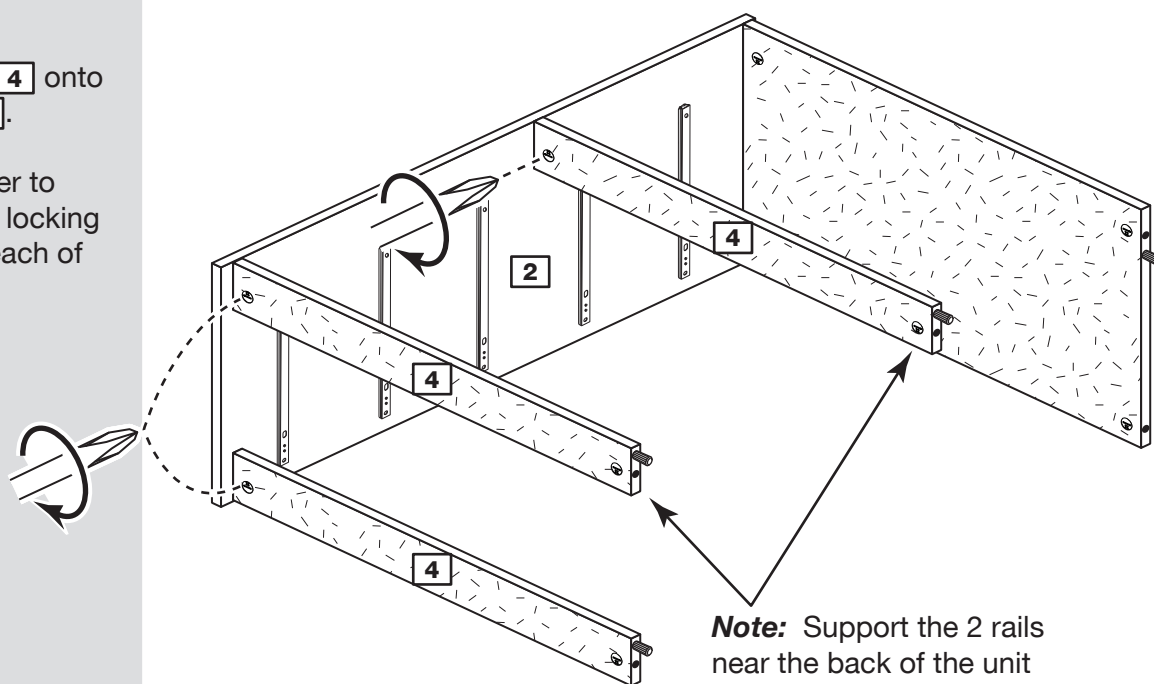


Step 13

Fit the 3 rails

Push the 3 rails **4** onto the right side **2**.

Use a screwdriver to tighten the large locking nut **D** fitted to each of the 3 rails **4**.



Note: Support the 2 rails near the back of the unit until the left side has been fitted in the next step.

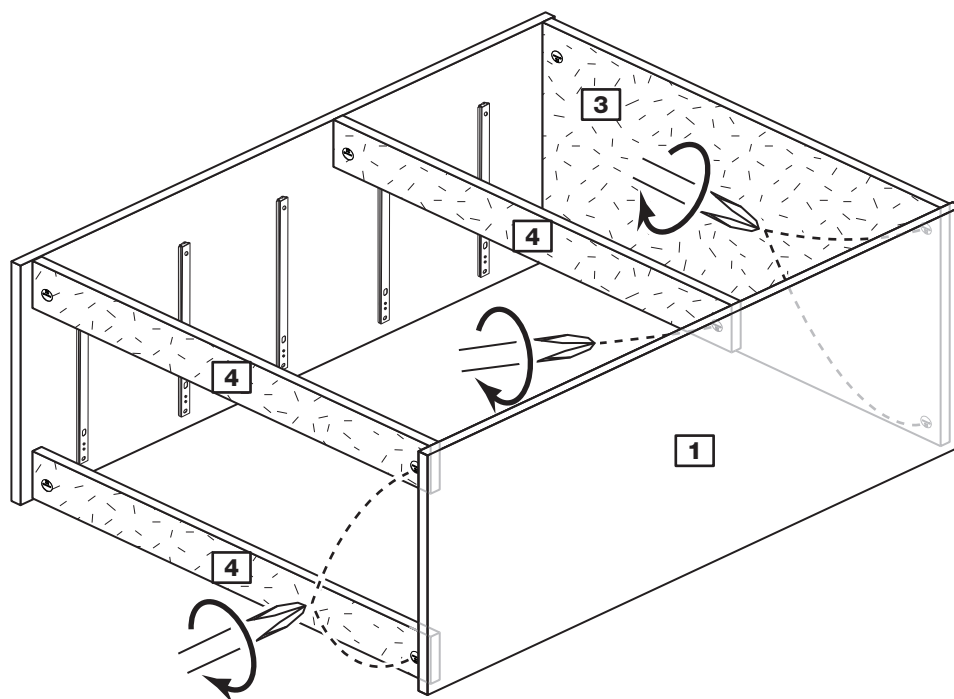
Assembly Instructions

Step 14

Fit the left side

Push the left side **1** onto the assembly.

Use a screwdriver to tighten the 5 large locking nuts **D** fitted to the top **3** and the 3 rails **4**.



Step 15

Fit the back

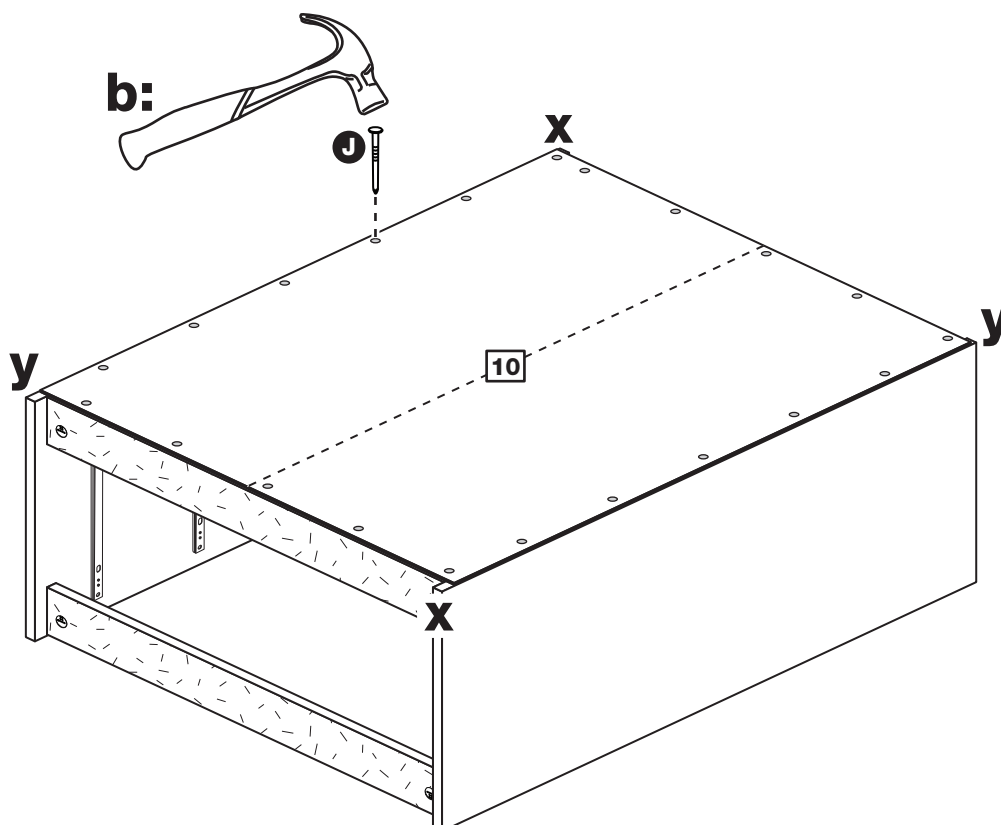
a: Square up the unit by making sure that measurement **x to x** equals **y to y**.

b: Place the back **10** onto the unit.

Nail **J** around the outside edges of the back **10**.

Note: Nails should be spaced about 150mm apart.

a: The measurement from top corner X to bottom corner X must be equal to the measurement from top corner Y to bottom corner Y



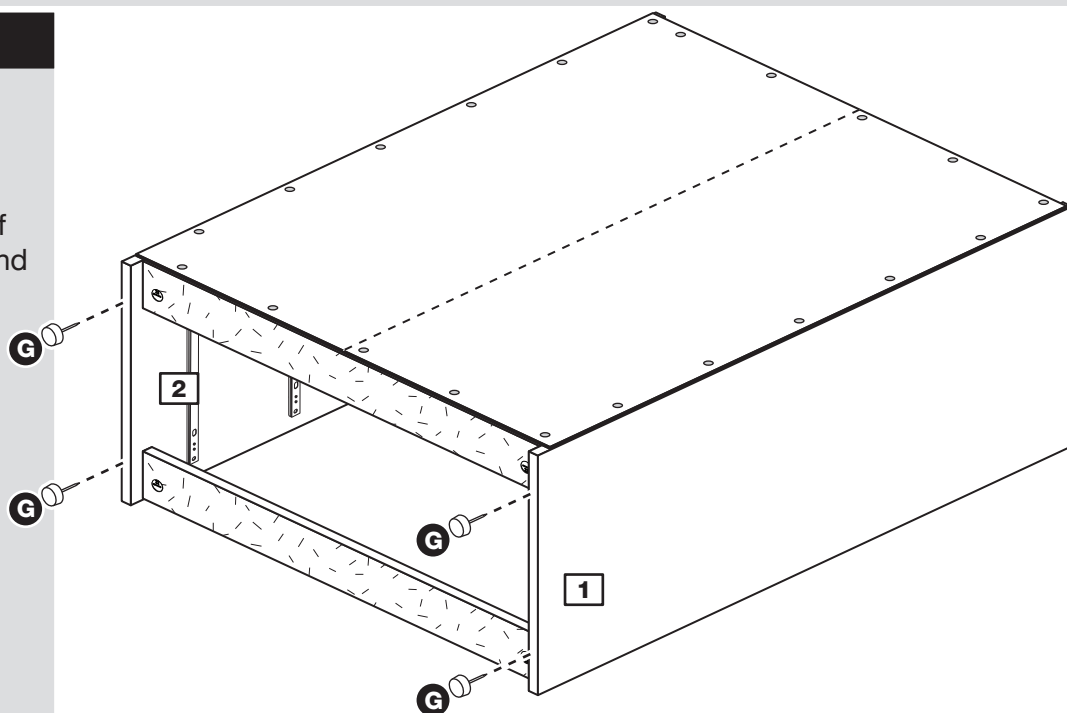
Assembly Instructions

Step 16

Fit the plastic nails

Tap 2 plastic nails **G** into the bottom edge of each of the sides **1** and **2**.

Stand the unit up for the next step.



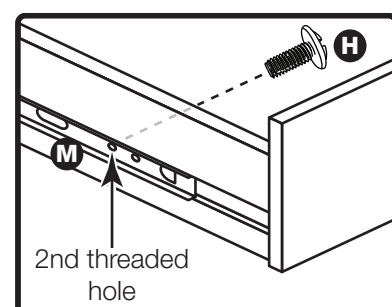
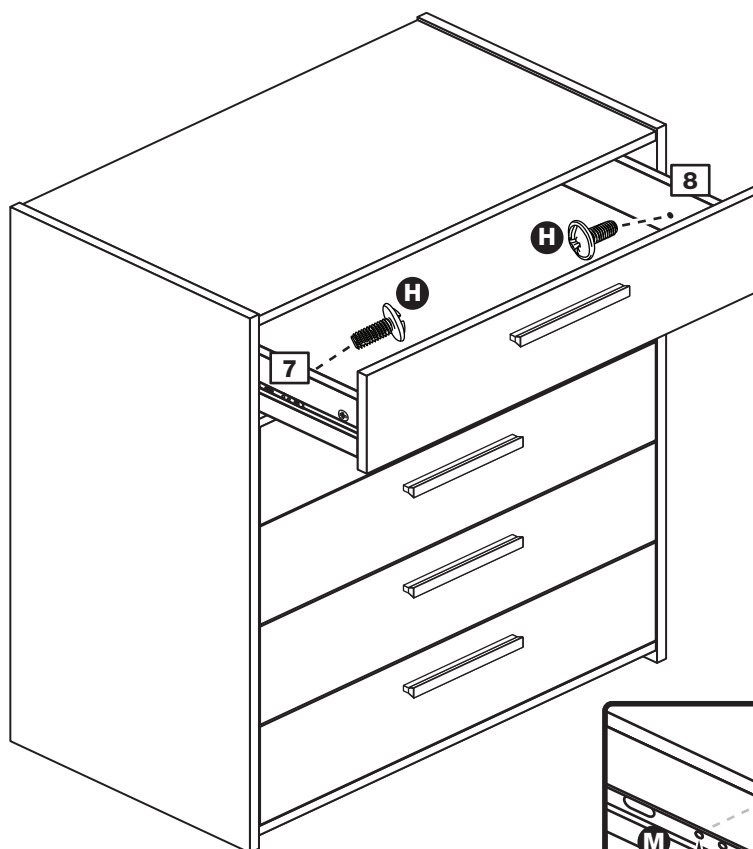
Step 17

Fit the drawers

Starting with the bottom drawer, slide both the runners **M** forward and locate the drawer sides **7** and **8** between them, lining up the holes in the drawer wrap with the 2nd 'threaded' holes in the runners **M**.

Working from the inside of the drawer, insert 2 screws **H** through the sides and out into the 2nd threaded hole in the runner.

Note: Do not over-tighten the screws **H. If they catch on the runner you may need to loosen them slightly.**



Assembly Instructions

Step 18

Fit the overbalance protector kit

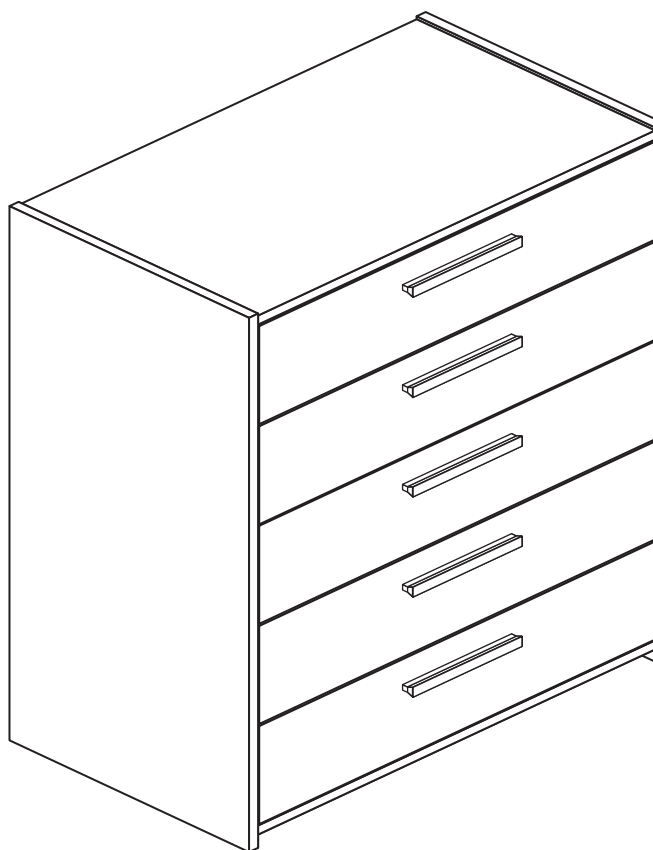
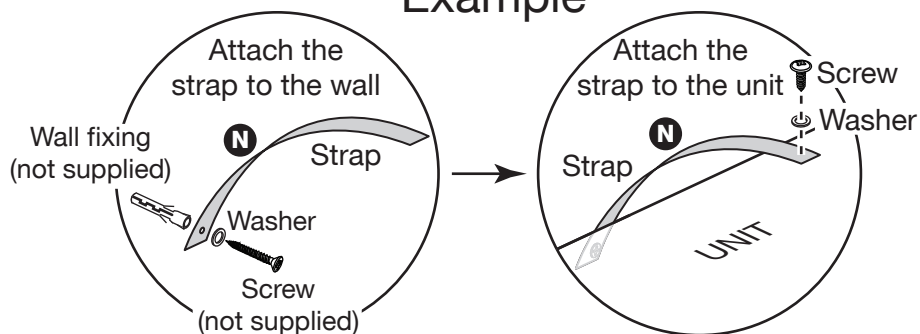
To prevent possible overbalancing we recommend that this unit is secured to a suitable wall by fitting of the overbalance protector kit **N** to the unit, or an alternative fixing method of your choice.

Wall fixings are not supplied as they will need to suit the wall type.

Note: Take care when drilling the wall that you do not drill into any pipes, wires etc. If in doubt, consult an expert.

Assembly is complete

Example



If you need help or have damaged or missing parts, call the Customer Helpline: 03456 400800 and quote the reference numbers on the component pages.

Argos Ltd, 489-499 Avebury Boulevard, Central Milton Keynes, MK9 2NW