

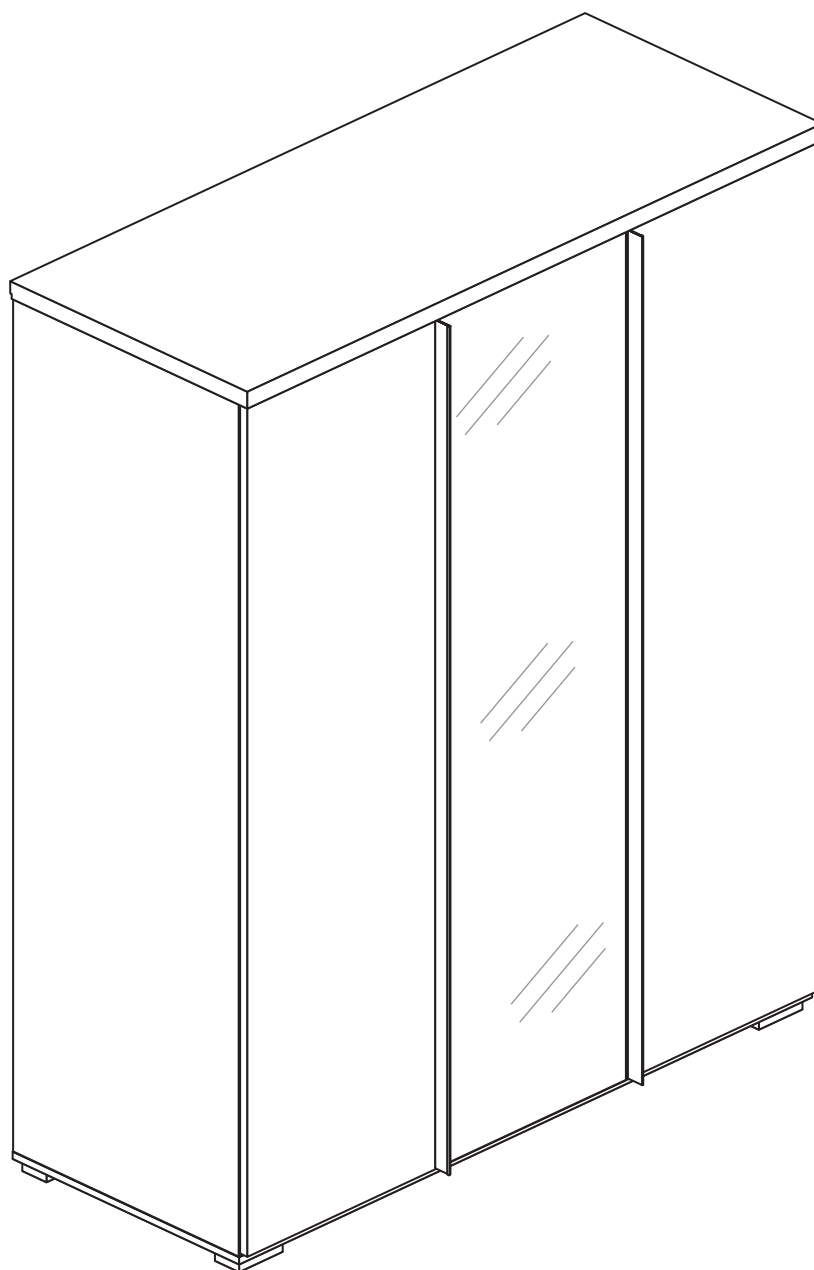
Linear - 3 Door Mirror Robe

Assembly Instructions - Please keep for future reference

276/3503

249/3347

237/7432



Dimensions

Width - 119cm

Depth - 49cm

Height - 184cm



**MADE IN
BRITAIN**

Important - Please read these instructions fully before starting assembly

If you need help or have damaged or missing parts, call the **Customer Helpline: 08456 400800**



Safety and Care Advice

Important - Please read these instructions fully before starting assembly

- **Warning:** This unit weighs approximately 76kgs. Please lift with care.

- Check you have all the components and tools listed on pages 2 and 3.

- Remove all fittings from the plastic bags and separate them into their groups.

- Keep children and animals away from the work area, small parts could choke if swallowed.

- Parts of the assembly will be easier with 2 people.

- Make sure you have enough space to layout the parts before starting.

- Do not stand or put weight on the product, this could cause damage.

- Assemble the item as close to its final position (in the same room) as possible.

- Assemble on a soft level surface to avoid damaging the unit or your floor (use opened out unit carton).



- We do not recommend the use of power drill/drivers **for inserting screws**, as this could damage the unit. Only use hand screwdrivers.

- **Safety note:** It is recommended that this unit is secured to a wall using the bracket supplied.

- Dispose of all packaging carefully and responsibly.

Care and maintenance

- Only clean using a damp cloth and mild detergent, do not use bleach or abrasive cleaners.

- From time to time check that there are no loose screws on this unit.

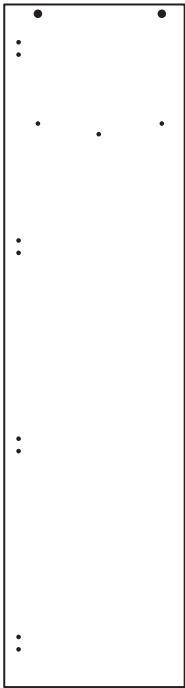
- This product should not be discarded with household waste. Take to your local authority waste disposal centre.

Note: If required the next page can be cut out and used as reference throughout the assembly. Keep this page with these instructions for future reference.

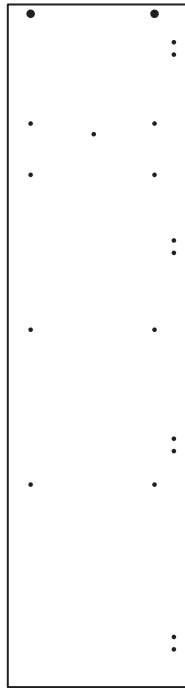
Components - Panels

If you have damaged or missing components, call the **Customer Helpline: 08456 400800** quoting the reference numbers below

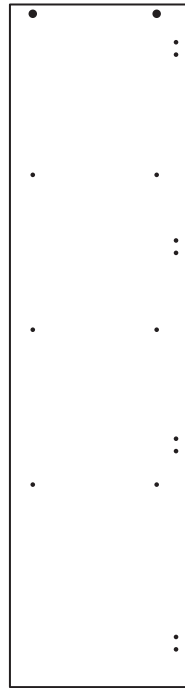
Please check you have all the panels listed below



1 Left Side (DF846)
(1763 x 466mm)



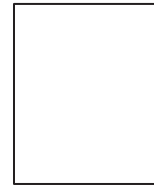
2 Divider (DF851)
(1763 x 466mm)



3 Right Side (DF847)
(1763 x 466mm)



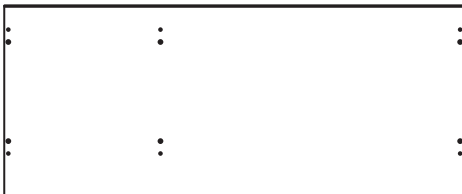
4 Fixed Shelf (DF155)
(759 x 465mm)



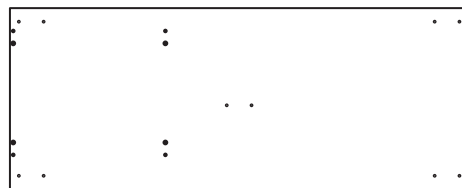
5 Loose Shelf (DF852)
(378 x 465mm) x 3



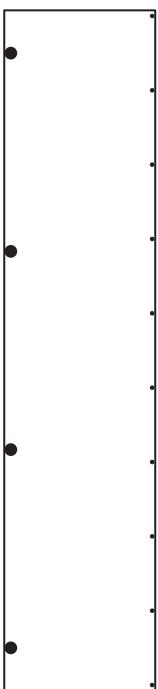
6 Hanging Rail (FHR751)
(751mm long)



7 Top (DF849)
(1188 x 490mm)



8 Base (DF850)
(1184 x 468mm)

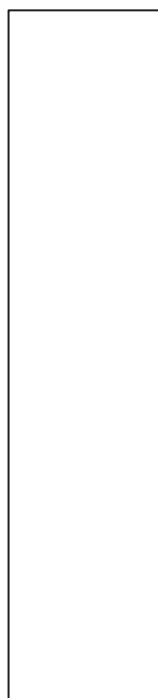


9 Door (DF848)
(1757 x 390mm) x 2

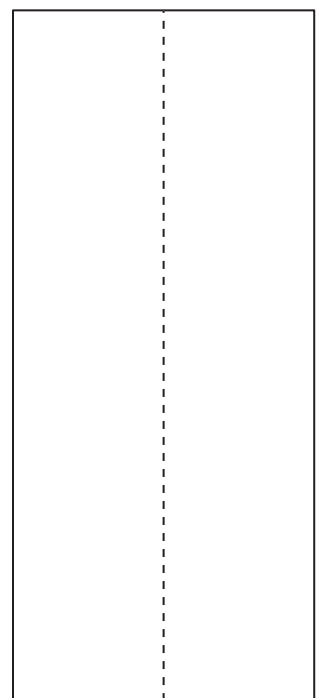


10 Mirror Door (DF848M)
(1757 x 390mm)

Mirror - SG27
1755 x 388mm
Safety Back SAR



11 Small Back (X1784-397)
(1784 x 397mm)



12 Large Back (X1784-778)
(1784 x 778mm)


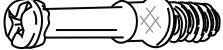

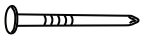

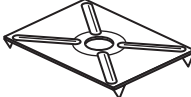


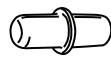


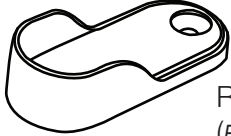
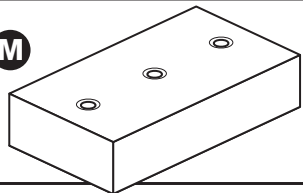
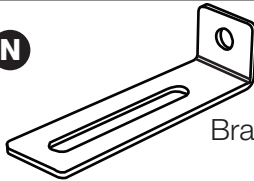

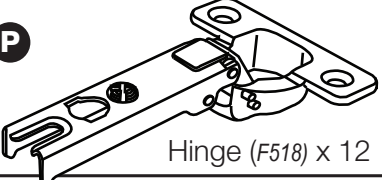
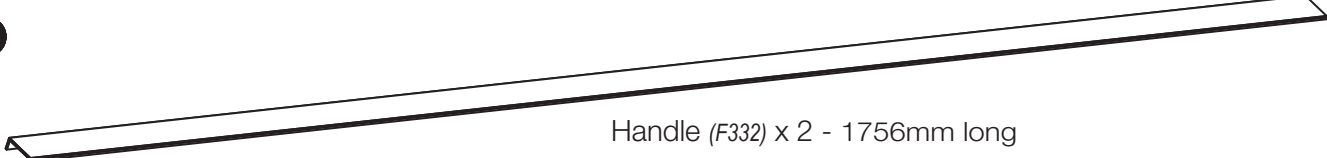


Components - Fittings

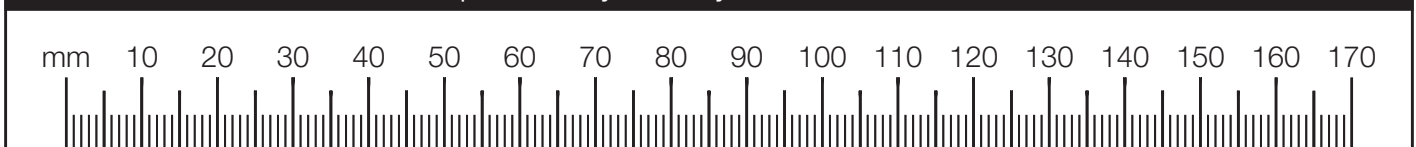
If you have damaged or missing components, call the **Customer Helpline: 0870 112 1928** or **email: Help@ClickSpares.co.uk** (quoting your original order number and the reference numbers below)

Please check you have all the fittings listed below

Note: The quantities below are the correct amount to complete the assembly. In some cases more fittings may be supplied than are required.

<p>A </p> <p>Wooden dowel (F22) x 12</p>	<p>B </p> <p>Metal dowel (F901) x 10</p>	<p>C </p> <p>Large locking nut (F900) x 10</p>
<p>D </p> <p>Nail (F51) x 36</p>	<p>E </p> <p>Nail screw (F277) x 8</p>	<p>F </p> <p>Back holder (F276) x 8 *These can also be round</p>
<p>G </p> <p>40mm Screw (F910) x 6</p>	<p>H </p> <p>38mm Screw (F81) x 10</p>	<p>I </p> <p>Shelf stud (F110) x 12</p>
<p>J </p> <p>13mm Screw (F79) x 21</p>	<p>K </p> <p>13mm Screw (F63) x 28</p>	<p>L </p> <p>Rail Holder (F891) x 2</p>
<p>M </p> <p>Foot (F233) x 5</p>	<p>N </p> <p>Bracket (F327) x 1</p>	
<p>O </p> <p>Hinge plate (F523) x 12</p>	<p>P </p> <p>Hinge (F518) x 12</p>	
<p>Q </p> <p>Handle (F332) x 2 - 1756mm long</p>		

Ruler - Use this ruler to help correctly identify the screws



Assembly Instructions

If you have damaged or missing components, call the Customer Helpline: 08456 400800 quoting the reference numbers below

Step 1

Prepare the divider

a: Tap 4 wooden dowels **A** into the divider **2**.

Note: Wooden dowels **must not** stick out from the edge by more than 10mm or they may damage other panels.

Screw 2 metal dowels **B** into the divider **2**.

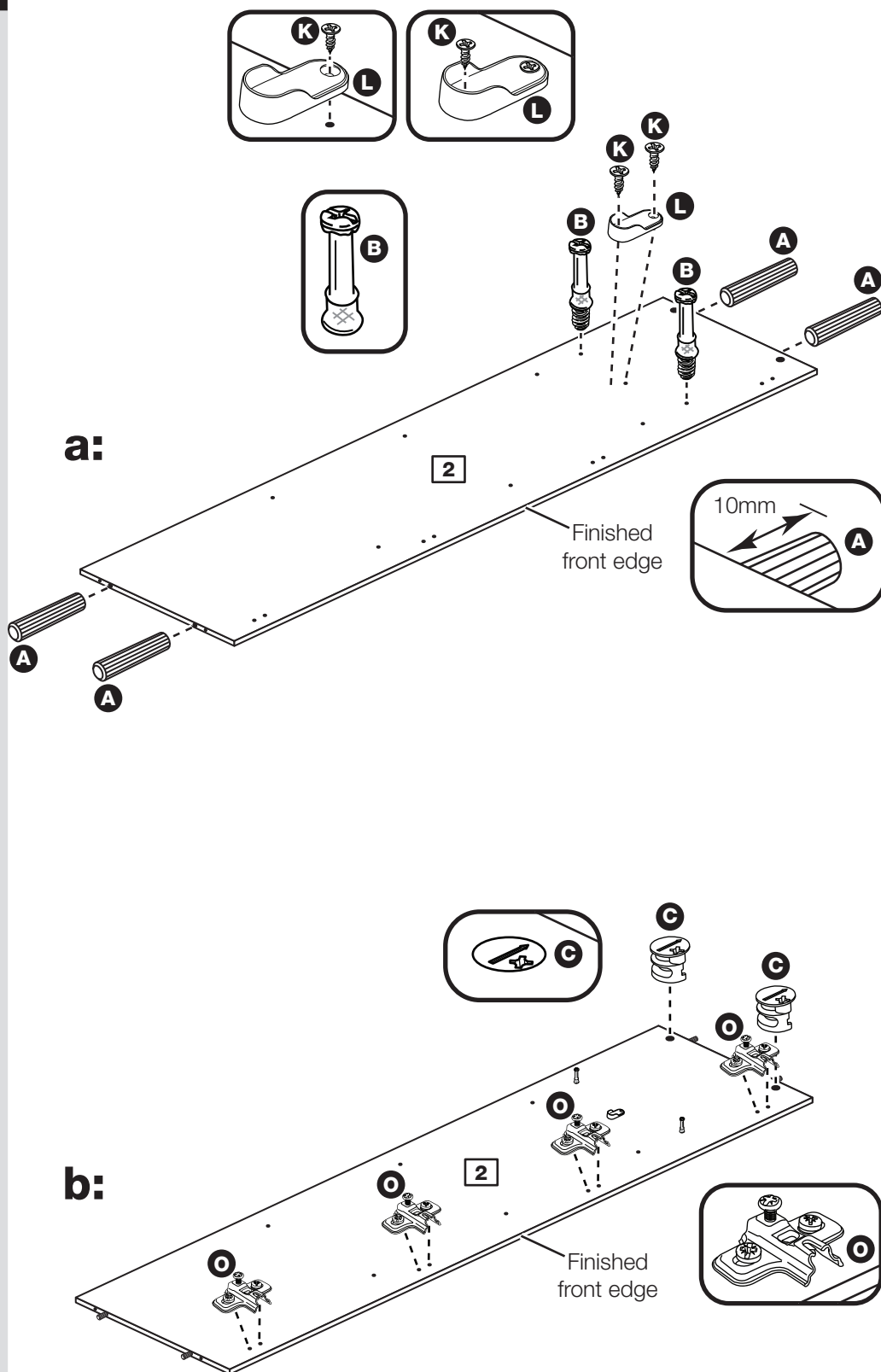
Note: Tighten the metal dowels up fully against the panels.

To fit the rail holder **L** screw through the top hole with screw **K** and into the mark hole drilled in the divider **2**. Make sure that it is fitted straight, in line with the panel edges and then fit another screw **K** using the lower hole.

b: Insert 2 large locking nuts **C** into the divider **2**.

Note: The arrow on the locking nut **must** point towards the hole in the edge of the panel.

Fit 4 hinge plates **O** onto the divider **2**, making sure that the slot is facing towards the finished front edge.



Assembly Instructions

Step 2

Prepare the left side

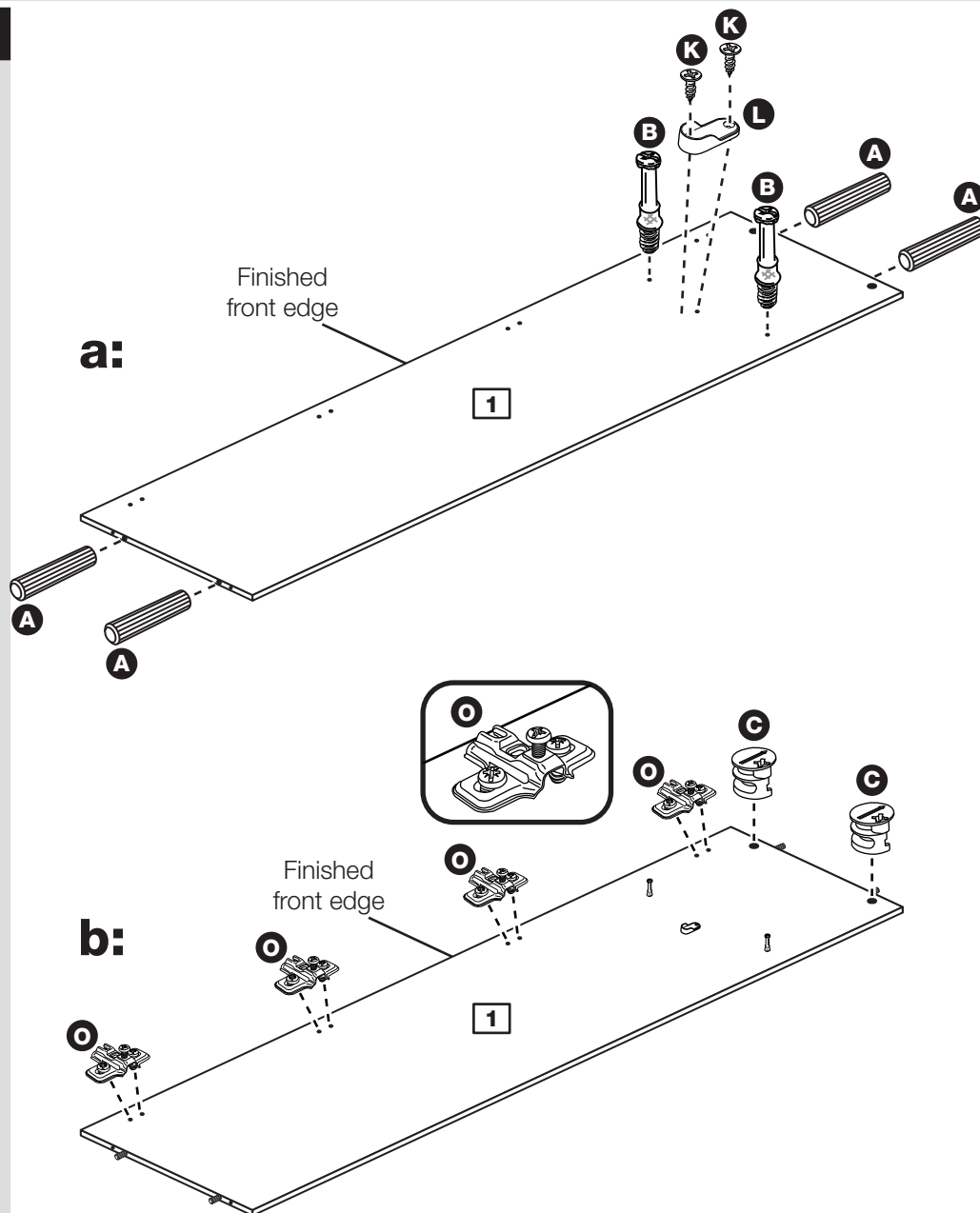
a: Tap 4 wooden dowels **A** into the left side **1**.

Screw 2 metal dowels **B** into the left side **1**.

To fit the rail holder **L** screw through the top hole with screw **K** and into the mark hole drilled in the left side **1**. Make sure that it is fitted straight, in line with the panel edges and then fit another screw **K** using the lower hole.

b: Insert 2 large locking nuts **C** into the left side **1**.

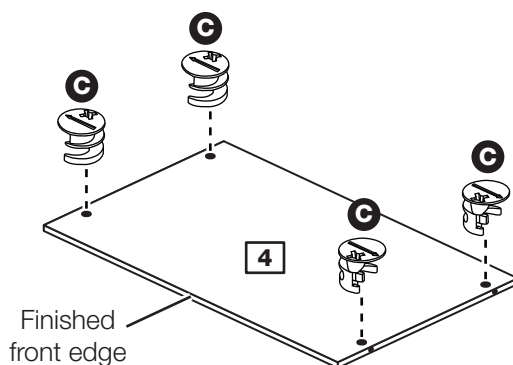
Fit 4 hinge plates **O** onto the left side **1**, making sure that the slot is facing towards the finished front edge.



Step 3

Prepare the fixed shelf

Insert 4 large locking nuts **C** into the fixed shelf **4**.



Assembly Instructions

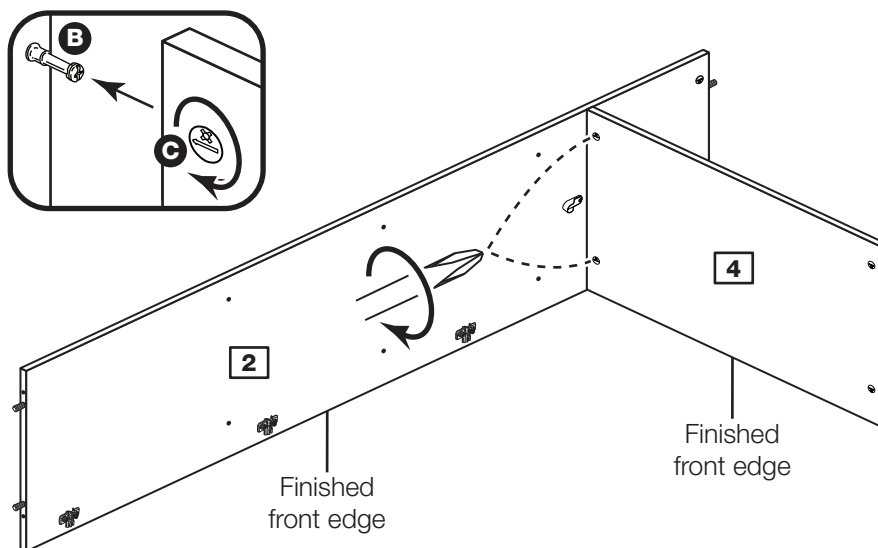
Step 4

Fit the fixed shelf to the divider

Push the fixed shelf **4** onto the divider **2**.

Use a screwdriver to tighten the 2 large locking nuts **C** fitted to the fixed shelf **4**.

Note: Turn the large locking nuts **C** as far as they will go - more than 1/2 a turn.

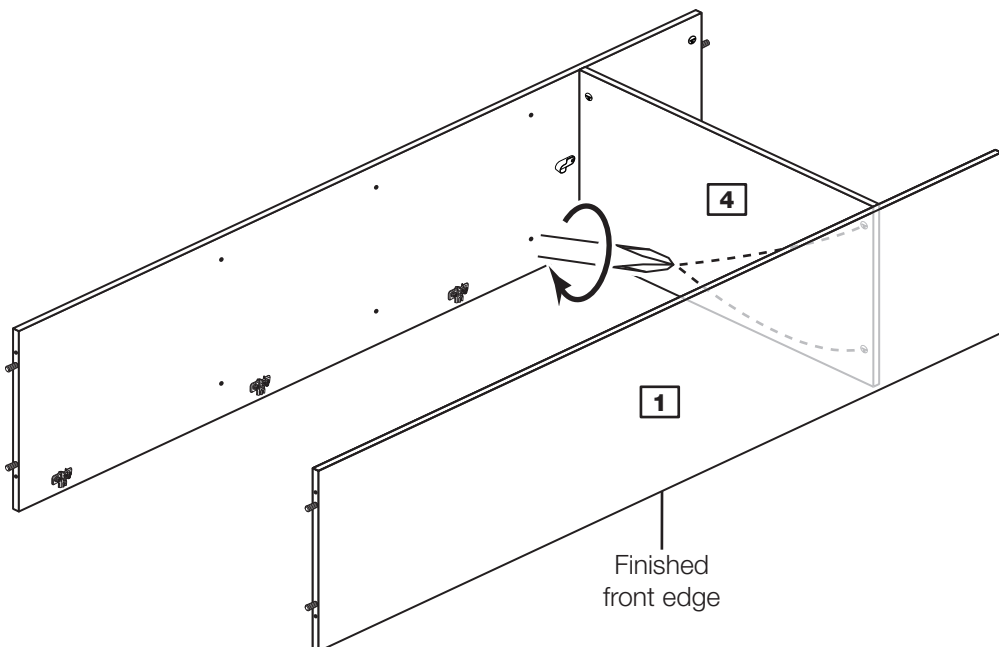


Step 5

Fit the left side to the fixed shelf

Push the left side **1** onto the fixed shelf **4**.

Use a screwdriver to tighten the 2 large locking nuts **C** fitted to the fixed shelf **4**.



Assembly Instructions

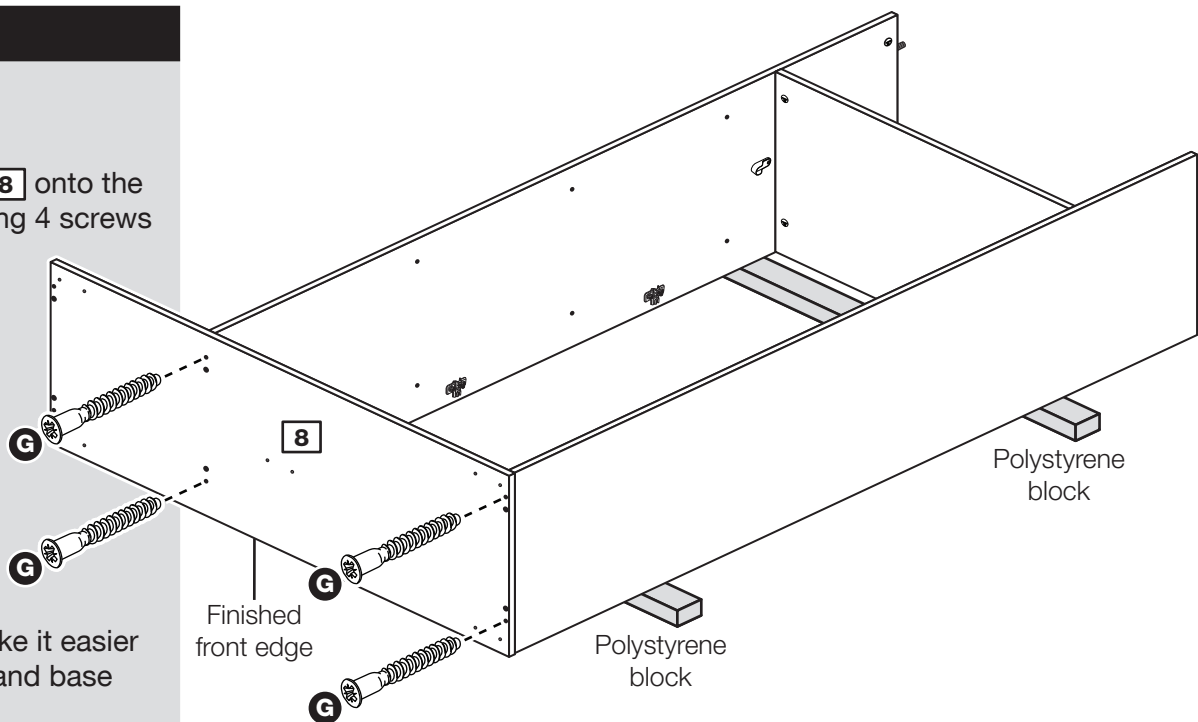
Step 6

Fit the base

Fit the base **8** onto the assembly using 4 screws **G**.

G.

Note: To make it easier to fit the top and base panels, place polystyrene blocks from the packaging underneath the side panels and divider to raise the assembly.



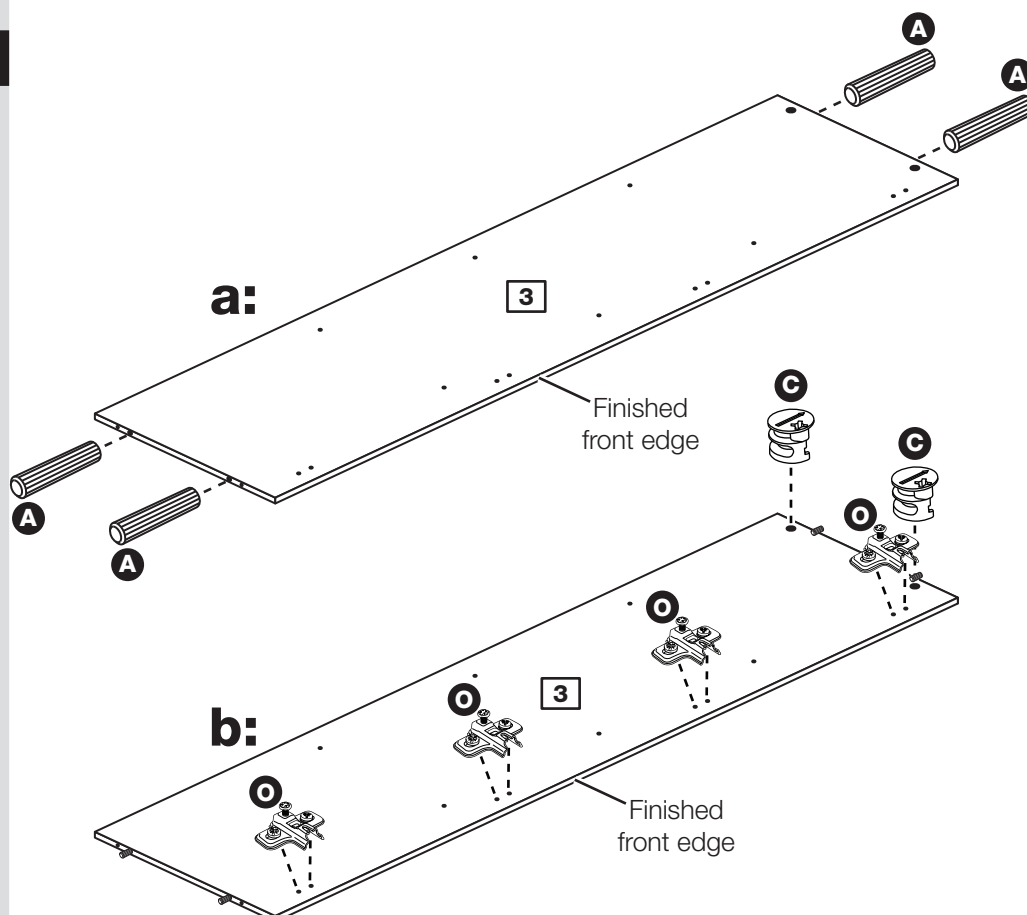
Step 7

Prepare the right side

a: Tap 4 wooden dowels **A** into the right side **3**.

b: Insert 2 large locking nuts **C** into the right side **3**.

Fit 4 hinge plates **O** onto the right side **3**, making sure that the slot is facing towards the finished front edge.



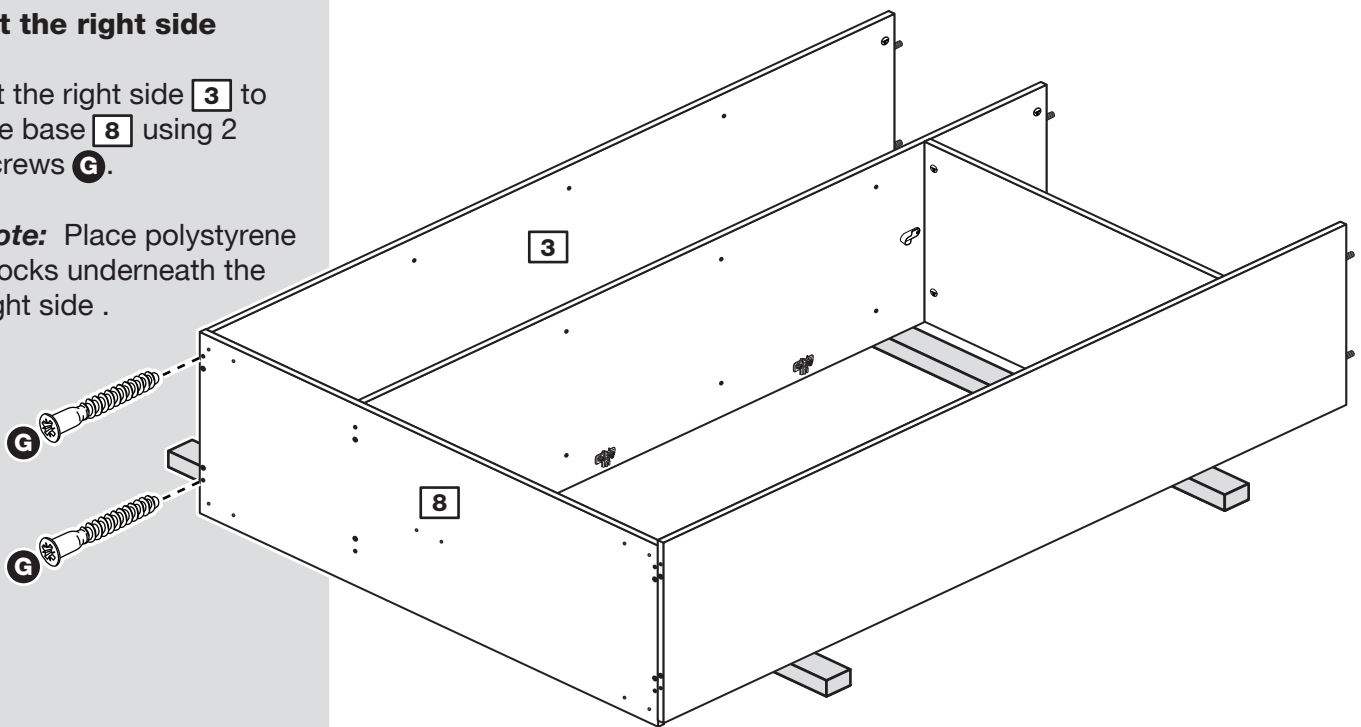
Assembly Instructions

Step 8

Fit the right side

Fit the right side **3** to the base **8** using 2 screws **G**.

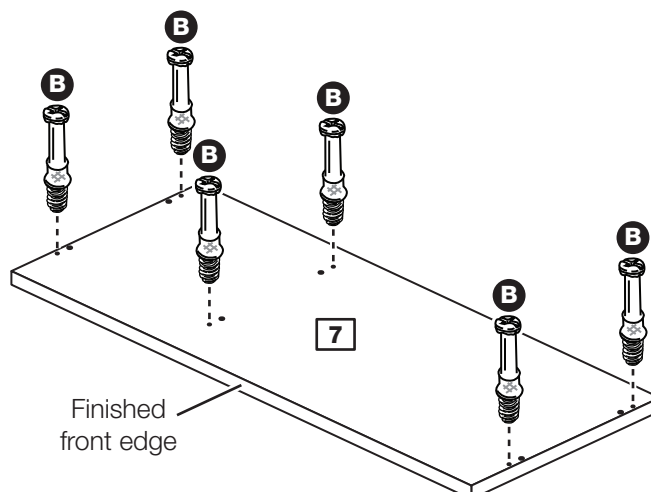
Note: Place polystyrene blocks underneath the right side .



Step 9

Prepare the top

Screw 6 metal dowels **B** into the top **7**.



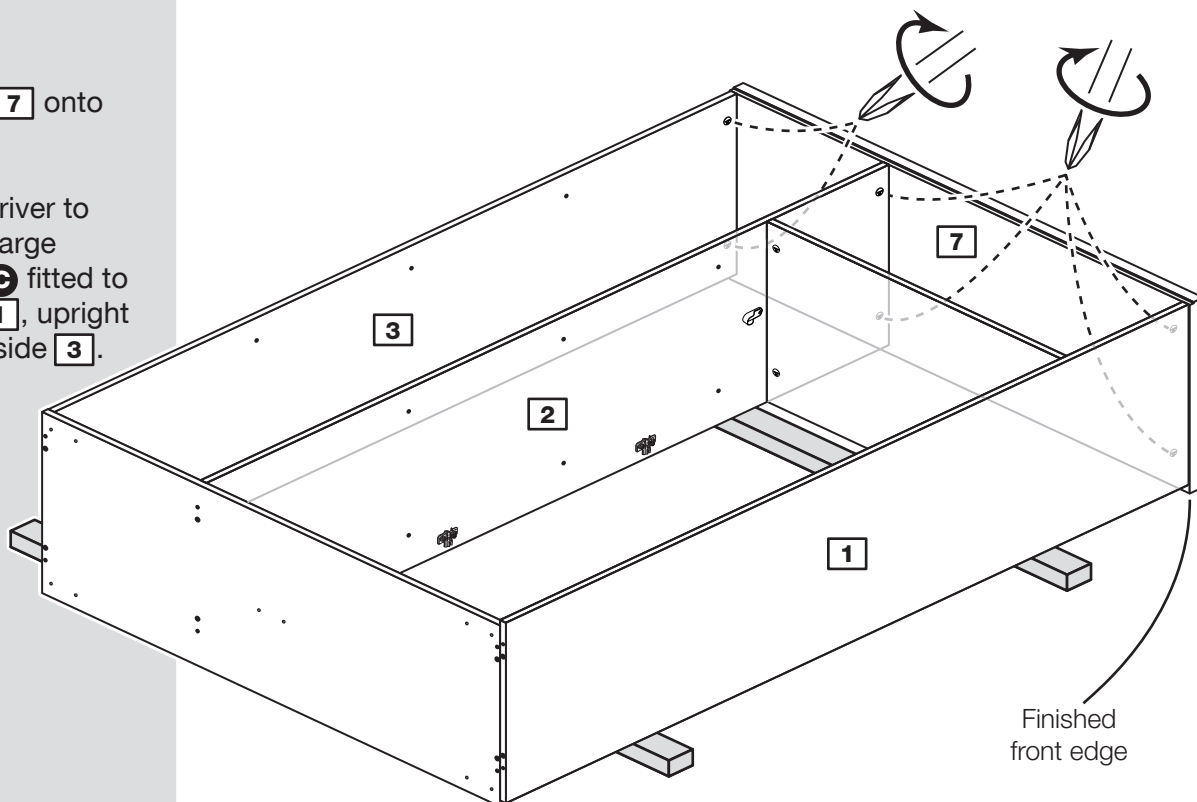
Assembly Instructions

Step 10

Fit the top

Push the top **7** onto the assembly.

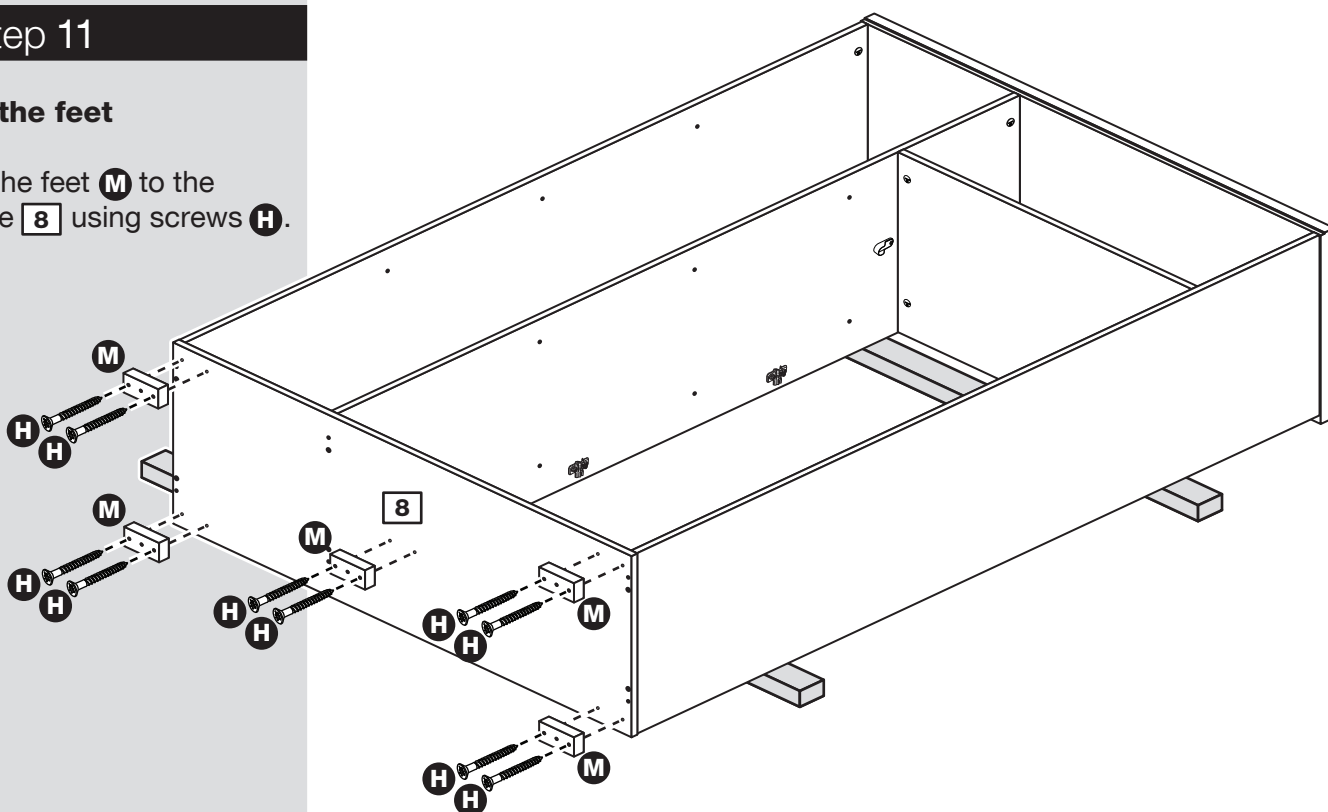
Use a screwdriver to tighten the 6 large locking nuts **C** fitted to the left side **1**, upright **2** and right side **3**.



Step 11

Fit the feet

Fit the feet **M** to the base **8** using screws **H**.



Assembly Instructions

Step 12

Fit the back panels

a: Square up the unit by making sure that measurement **x:x equals y:y**.

Place the small back **11** and large back **12** down, onto the unit as shown.

Make sure that the 2 backs are pushed up tight against each other and that they meet in the centre of the divider's back edge.

b: Nail **D** around the outside edges of the 2 backs.

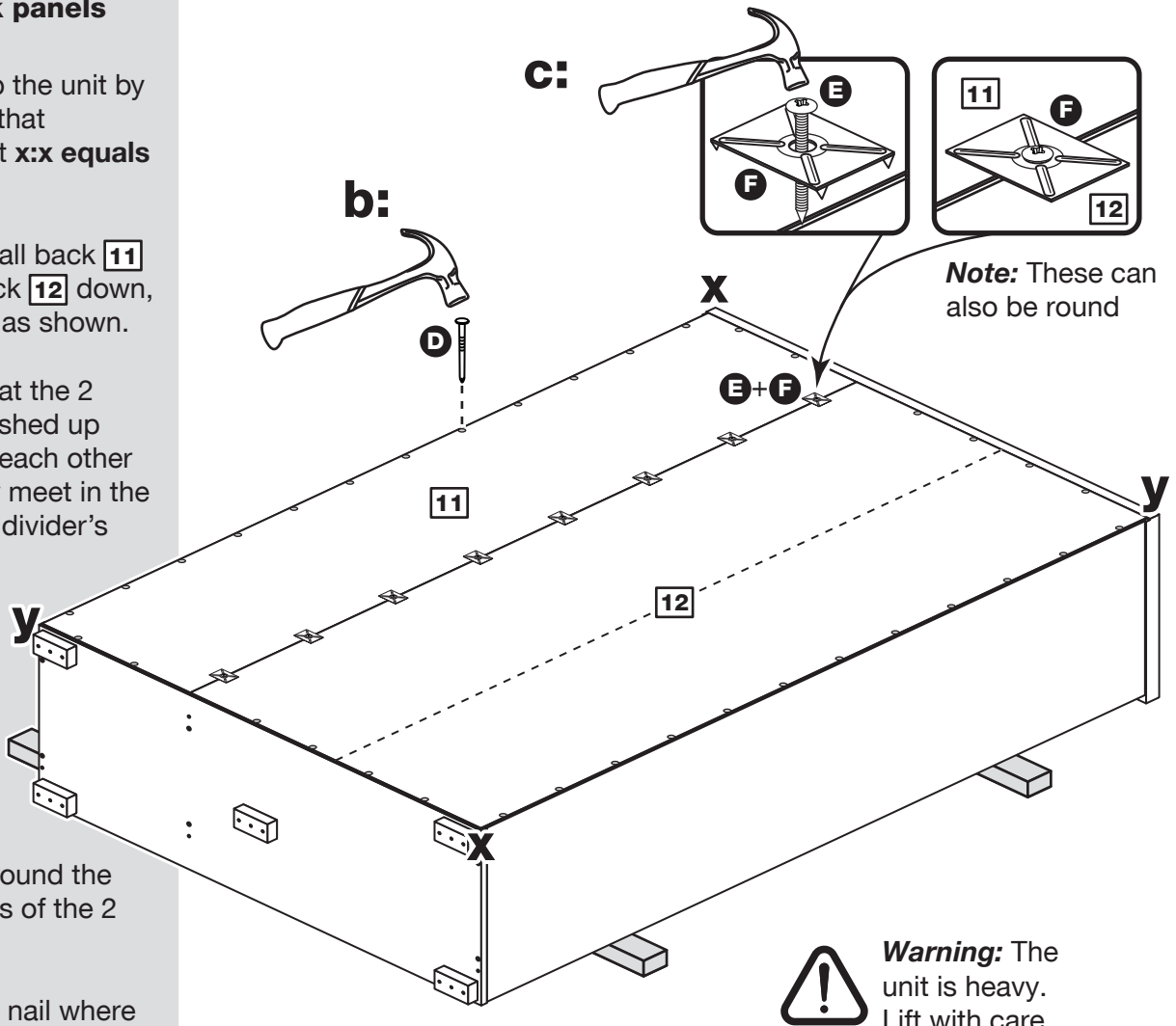
Note: Do not nail where the 2 backs meet and nails should be spaced about 150mm apart.

c: Push the 8 nail screws **E** through the 8 back holders **F** and tap them down between the small back **11** and large back **12** and into the back edge of the divider **2**.

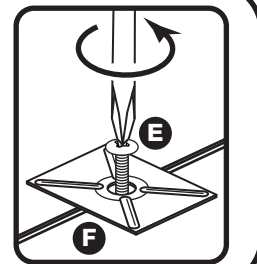
Keep tapping the nail screws **E** in until the back holders **F** dig into the small and large back.

Carefully stand the unit up for the next step.

a: The measurement from top corner X to bottom corner X must be equal to the measurement from top corner Y to bottom corner Y



Note: If ever you need to take the backs off to dismantle the unit, the nail screws can be taken out using a screwdriver.

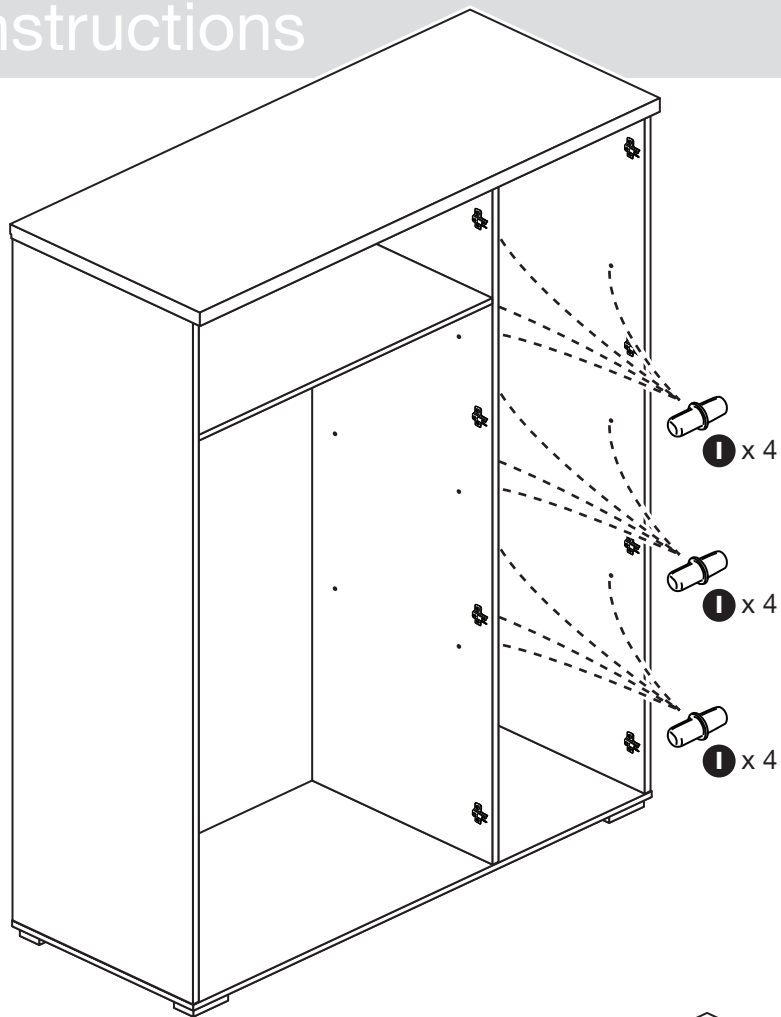


Assembly Instructions

Step 13

Fit the shelf studs

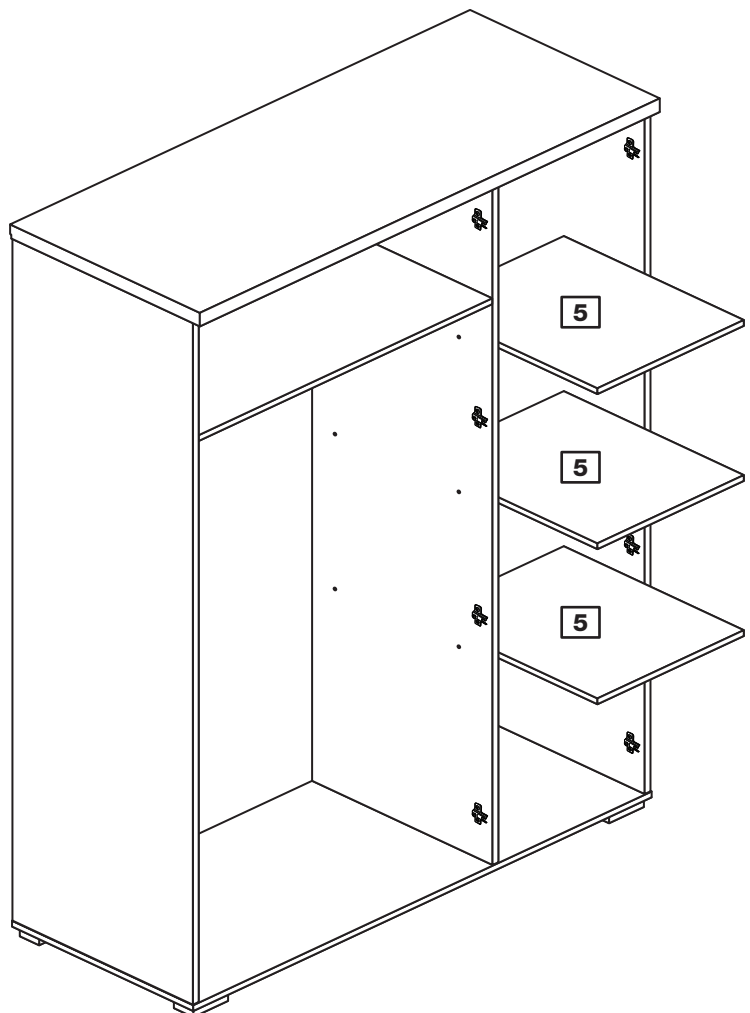
For each of the 3 loose shelves **5**, insert 4 shelf studs **1**.



Step 14

Fit the loose shelves

Lower the 3 loose shelves **5** down onto the shelf studs **1**.

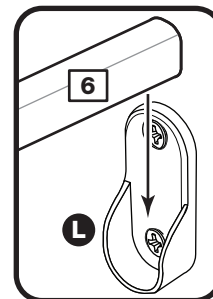
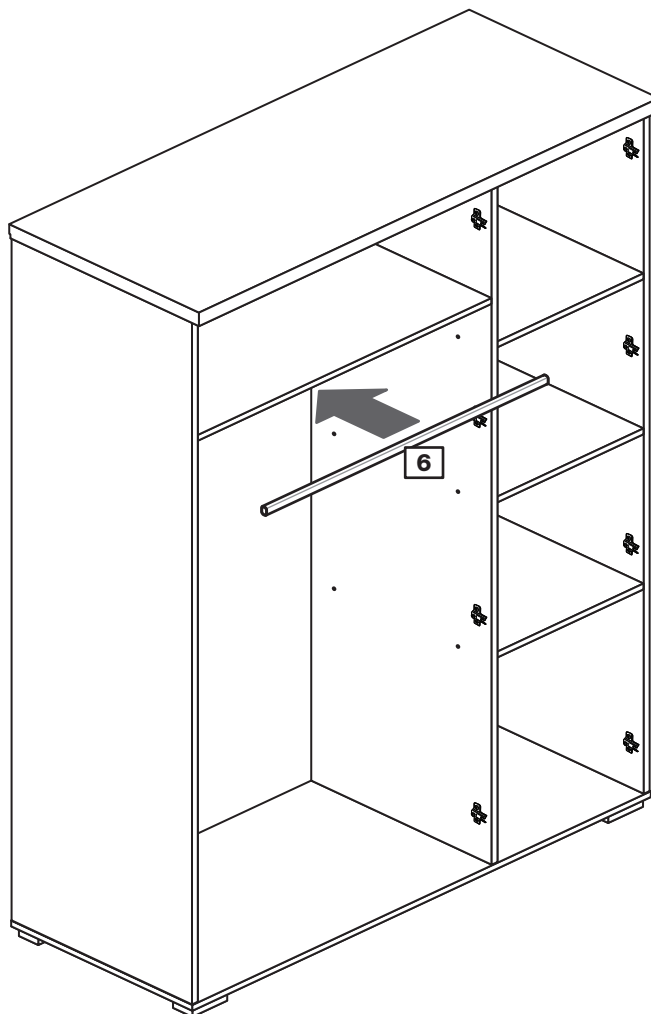


Assembly Instructions

Step 15

Fit the hanging rail

Push the hanging rail **6** into the rail holders **L** fitted to the left side and divider.



Step 16

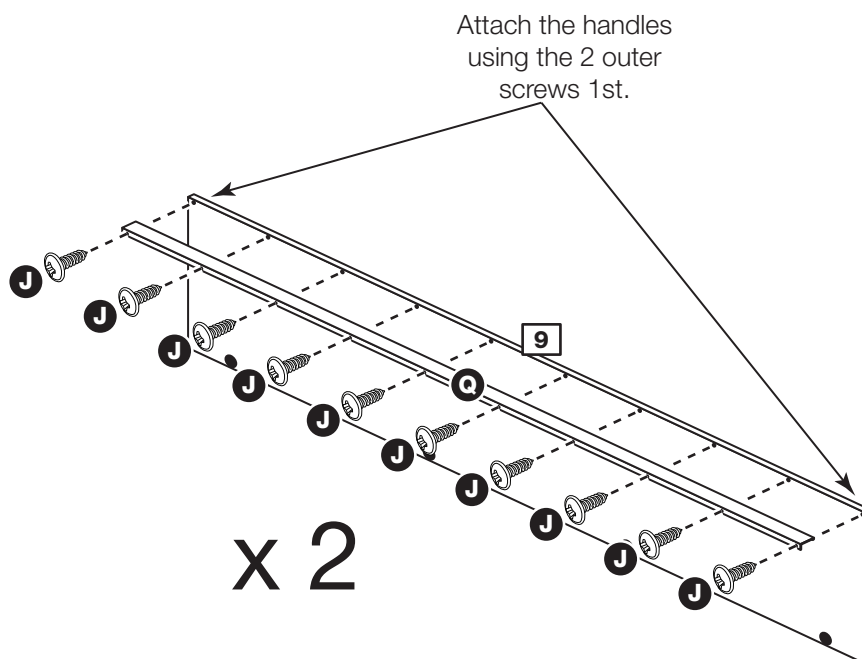
Fit the handles to the 2 plain doors

Note: Attach the handles using the 2 outer screws 1st then, screw in the rest once the handles have been secured at both ends.

Position the handles **Q** onto the side edge of the plain doors **9**.

Fix a handle **Q** to the back surface of each of the doors **9** using 10 screws **J**.

Note: Do not fit a handle to the mirror door **10**.



Assembly Instructions

Step 17

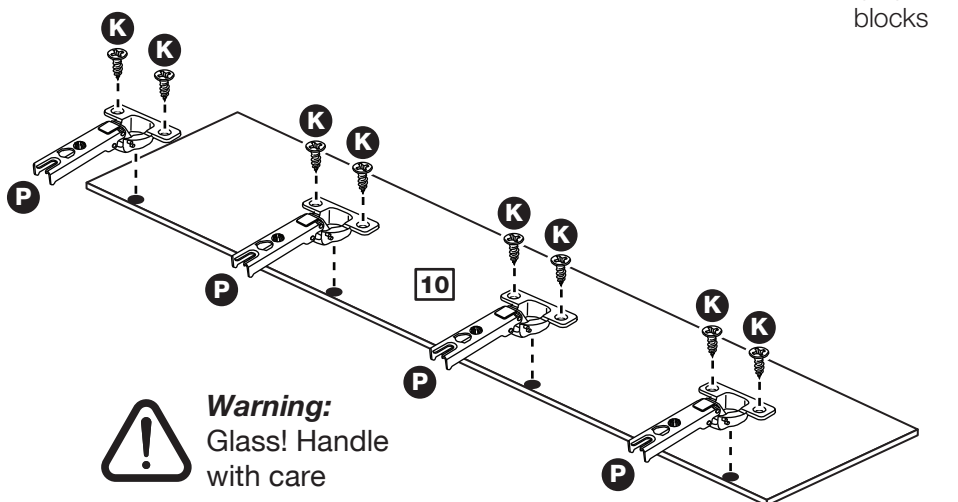
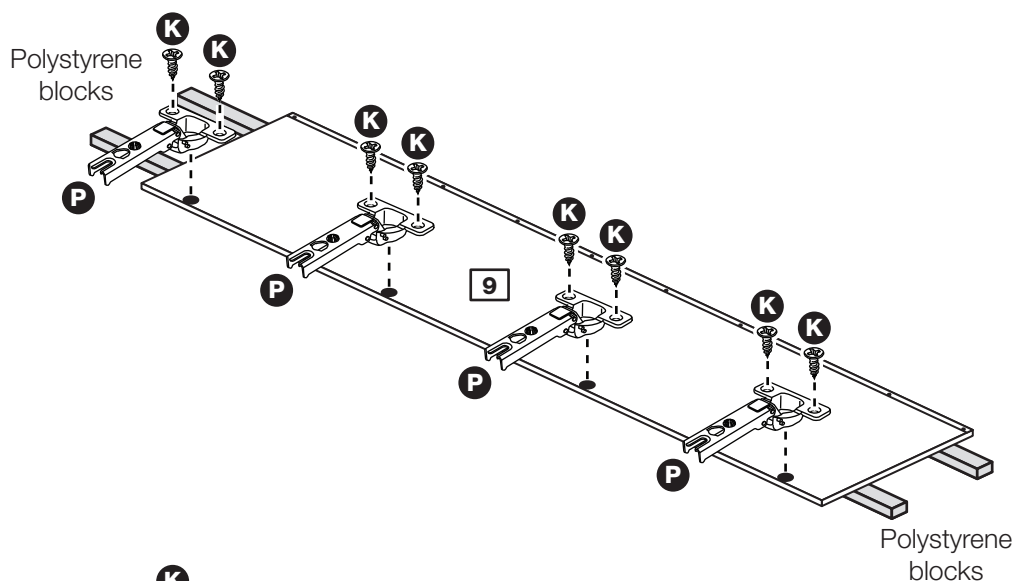
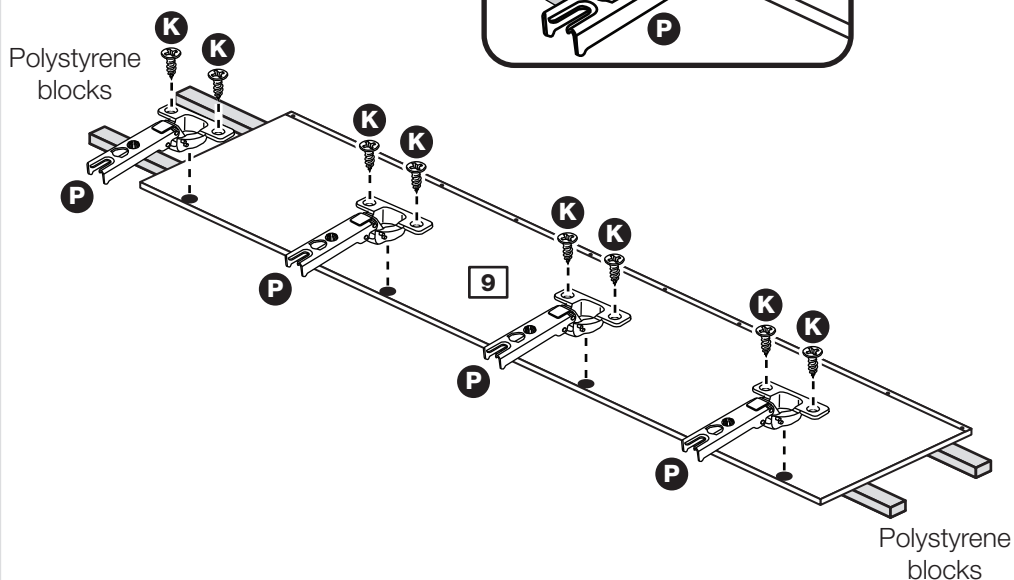
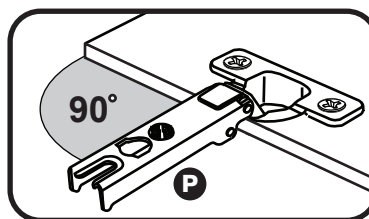
Fit the hinges to the doors

Note: To make it easier to fit the hinges and to protect the handles, place polystyrene blocks from the packaging underneath the 2 plain doors to raise them up.

Push fit 4 hinges **P** into each of the 3 doors **9** and **10**.

Secure each hinge with 2 screws **K**.

Note: Before securing with the screws, make sure that the hinges are positioned at 90 degrees with the edge of the door.



Warning:
Glass! Handle
with care

Assembly Instructions

Step 18

Fit the doors

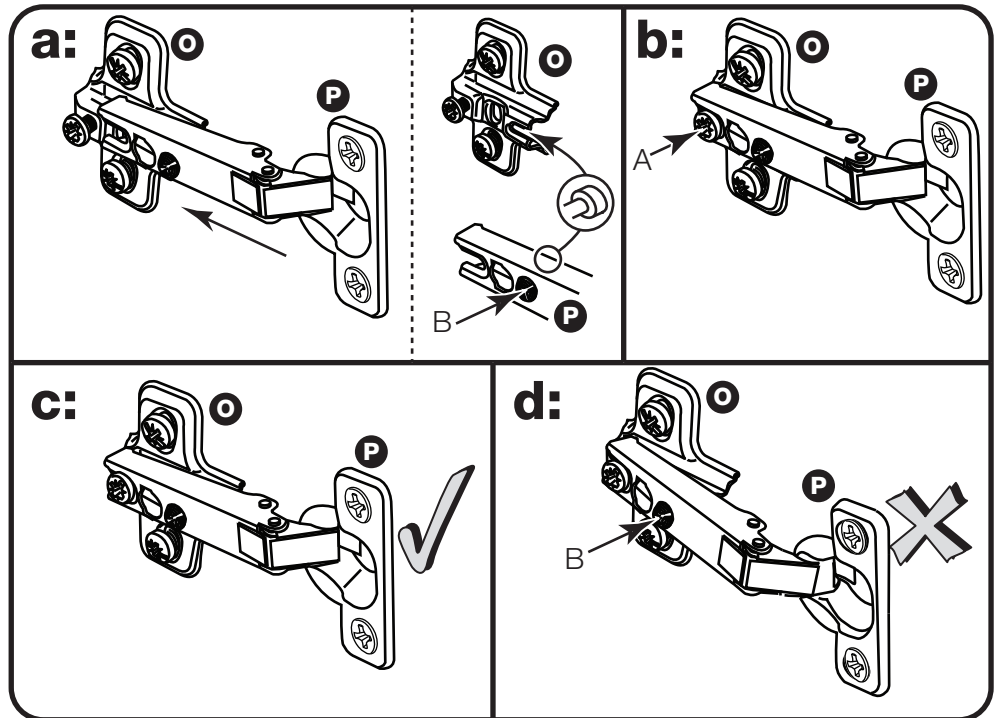
Note: The easiest way to attach each door **9** and **10** is to fit the top hinge first, then align and fit the other hinges.

a: Push the hinge **P** onto the front part of the hinge plate **O**. The recess at the bottom of screw B goes into the slot in the hinge plate.

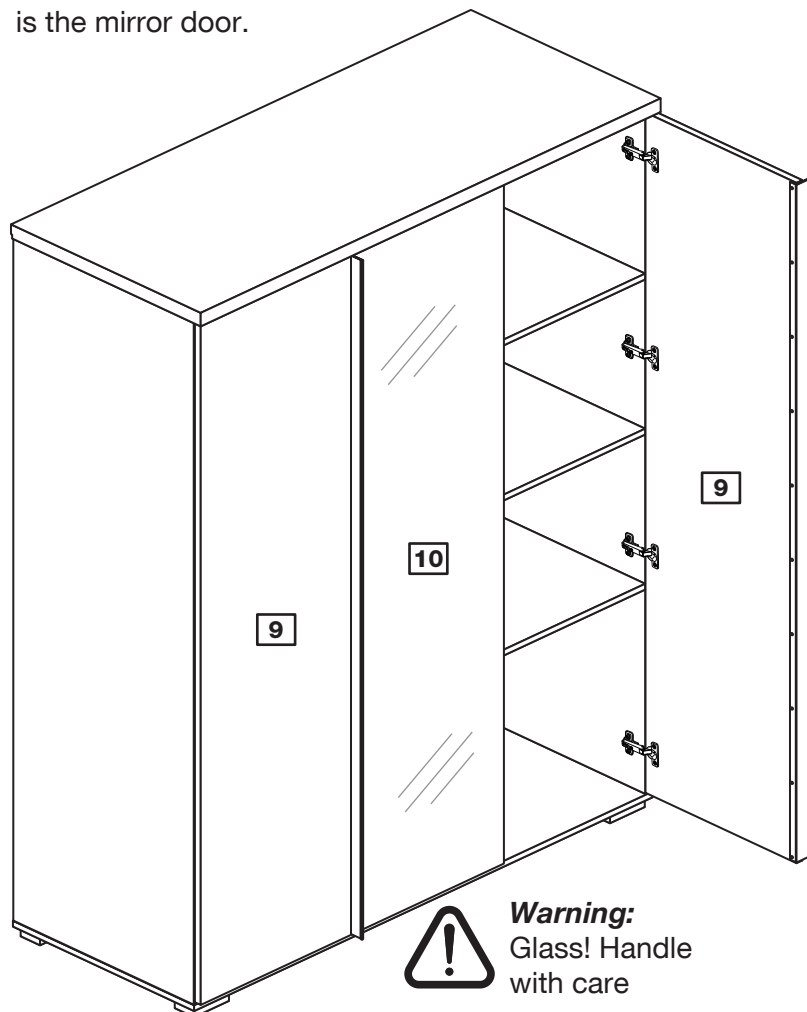
b: Keep the hinge **P** FLAT against the hinge plate **O** as you slide it across as far as it will go. Tighten screw A.

c: The hinge **P** must be flat against the hinge plate **O** prior to any adjustment.

d: The hinge **P** must NOT be AT AN ANGLE to the hinge plate **O** when assembled. This would indicate that the recess at the bottom of screw B had not located in the slot in the hinge plate and the hinge would not be secure. Remove the hinge from the hinge plate and then re-assemble being careful to follow instructions a-c.



Note: The middle door is the mirror door.



Assembly Instructions

Step 19

Adjust the doors if needed

a: Before adjusting the doors, use a spirit level to check the base (or top) of the unit is level, front-to-back and side-to-side in the 3 positions shown. Use suitable packing pieces (not supplied) to make the unit level BEFORE making any adjustment to the hinges, as shown.

b: Height adjustment.

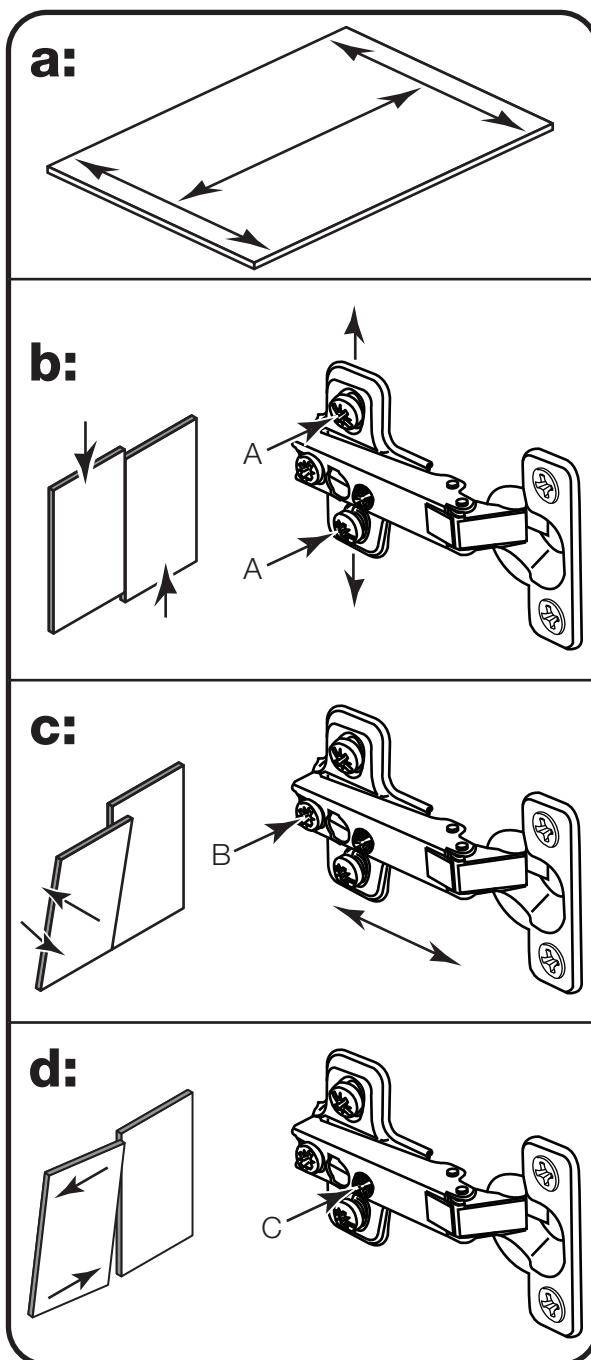
Loosen screws A on hinge plates and move door up or down as required. Retighten screw A.

c: Forward and Back adjustment.

Loosen screw B on hinge plate and move door in or out as required. Retighten screw B.

d: Sideways adjustment.

To move door 'out' loosen screw C. To move door 'in' tighten screw C.



Assembly Instructions

Step 20

Fit the bracket

To prevent possible overbalancing, we recommend that this unit is secured to a suitable wall by use of the bracket **N** fitted to the top of the unit.

Fixings are not supplied, as they will need to suit the wall type and the length of screw will depend on the distance from the back of the unit to the wall.

Fix the bracket **N** loosely onto the top of the unit using screw **J** and mark the wall for the wall fixing.

Swivel the bracket **N** away from the wall and drill a hole in the wall using a suitable drill bit and fit your wall fixing.

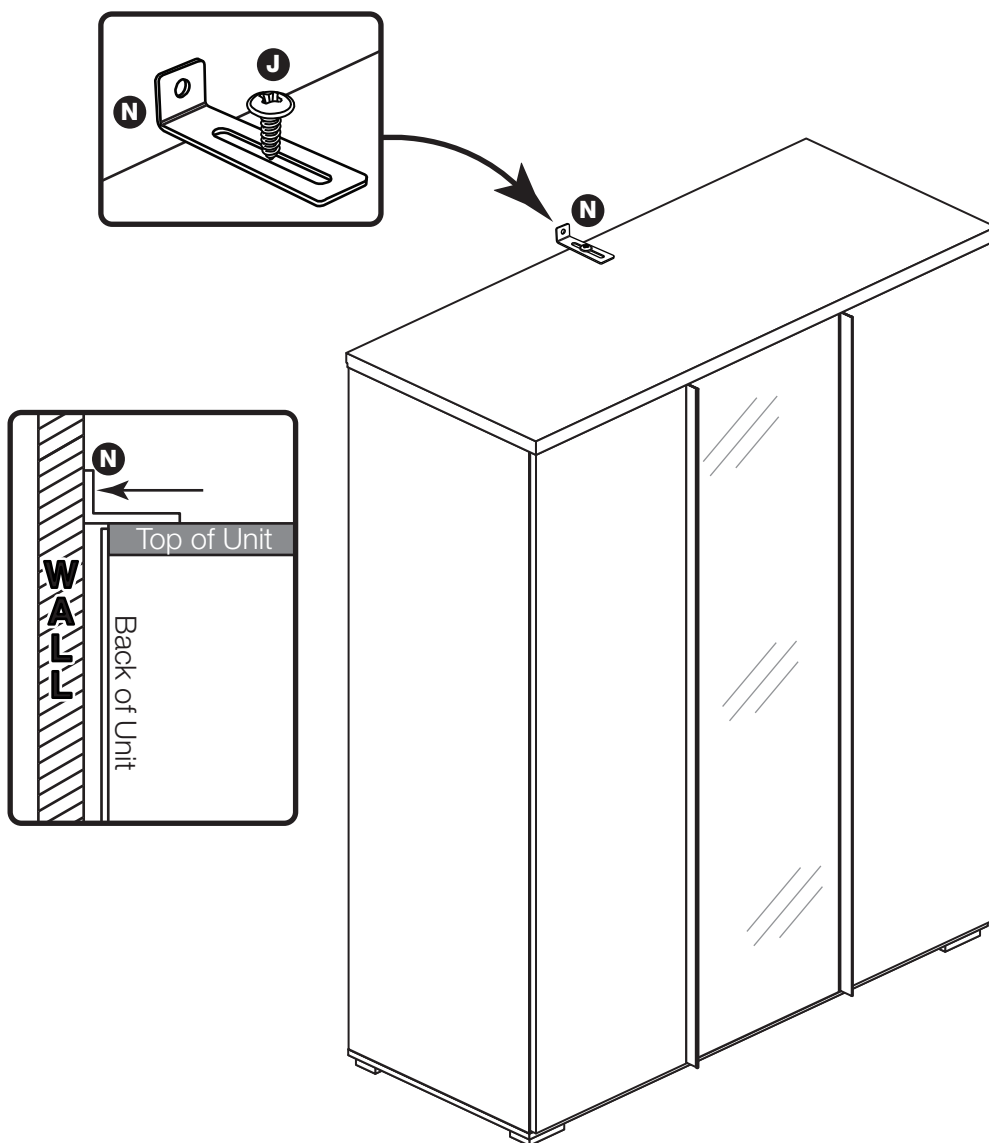
Swivel the bracket **N** back and fix the bracket to the wall, then tighten screw **J**.

Note: Take care when drilling the wall that you do not drill into any pipes, wires etc. If in doubt, consult an expert.



Warning: The unit is heavy. Lift with care.

Assembly is complete



Assembly Instructions

Step 21

IMPORTANT INFORMATION ABOUT THIS PRODUCT

This product complies with the requirements of BS 7449:1991 and has been manufactured by DECORATIVE PANELS FURNITURE LTD, TEESIDE INDUSTRIAL ESTATE, THORNABY-ON-TEES, CLEVELAND, TS17 9LT.

The product code for this unit and the item code(s) for the glass components are listed in the Assembly Instructions along with a description of the type of glass used. All clear/tinted glass complies with the requirements of BS 6206 Class A. All mirrors comply with the requirements of BS 6206 Class C. If the glass component contained in this unit is chipped or broken consult the furniture manufacturer, retailer, or agent with regard to obtaining a manufacturing specification and shape for replacement glass quoting the unit description and batch number or date of manufacture.

Do not place very hot or very cold items against or in close proximity to glass surface(s) unless adequately thick insulating material is used to prevent such items coming in contact with the glass.

Do not strike the glass with hard or pointed items.

Do not sit or stand upon horizontal glass surfaces.

When cleaning glass panels use a damp cloth or leather with washing up liquid or soft soap if necessary - do not use washing powders or any other substance containing abrasives since these substances scratch glass.

If stated in the instruction leaflet, it is essential that this unit is fixed to a wall.

KEEP THESE INSTRUCTIONS FOR FUTURE USE

If you need help or have damaged or missing parts, call the **Customer Helpline: 08456 400800** and quote the reference numbers on the component pages.

Argos Ltd, 489-499 Avebury Boulevard, Central Milton Keynes, MK9 2NW

