



AS SEEN ON  
**high street tv**

# NEW XHOSE 8 SPRAY NOZZLE

EASILY CONNECT TO YOUR XHOSE OR ANY GARDEN HOSE TURN THE NOZZLE TO SELECT THE MODE  
8 MODES - MIST, SHOWER, ANGLE, CENTRE, FLAT, CONE, SOAKER, FULL



[WWW.OFFICIALXHOSE.CO.UK](http://WWW.OFFICIALXHOSE.CO.UK)



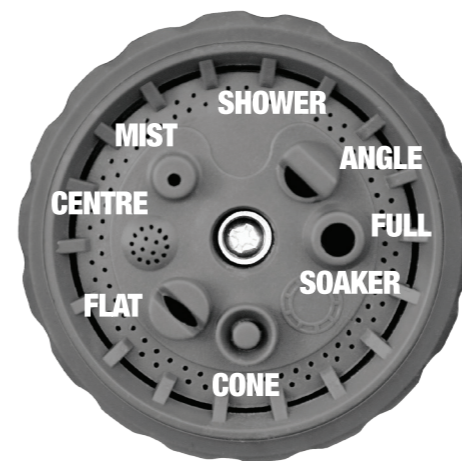
AS SEEN ON  
**high street tv**

# NEW XHOSE 8 SPRAY NOZZLE

CONNECTS TO YOUR XHOSE  
OR ORDINARY GARDEN HOSE

HOW TO CONNECT THE SPRAY NOZZLE:  
PUSH THE SPRAY NOZZLE INTO YOUR XHOSE  
OR ANY GARDEN HOSE

SELECT THE SPRAY MODE:  
THE 8 WAY SPRAY NOZZLE ALLOWS YOU TO  
SELECT THE SETTING OF YOUR CHOICE  
SIMPLY TURN THE DIAL TO DESIRED MODE



[WWW.OFFICIALXHOSE.CO.UK](http://WWW.OFFICIALXHOSE.CO.UK)



PLEASE RETAIN THIS INFORMATION  
FOR FURTHER USE



5 060187 925744

MADE IN  
CHINA

Distributed by:  
High Street TV, PO Box 724,  
Altrincham, WA15 5BJ



[www.highstreettv.com](http://www.highstreettv.com)