

Malibu - 2 Drawer 3 Door Robe

Assembly Instructions - Please keep for future reference

257/6109

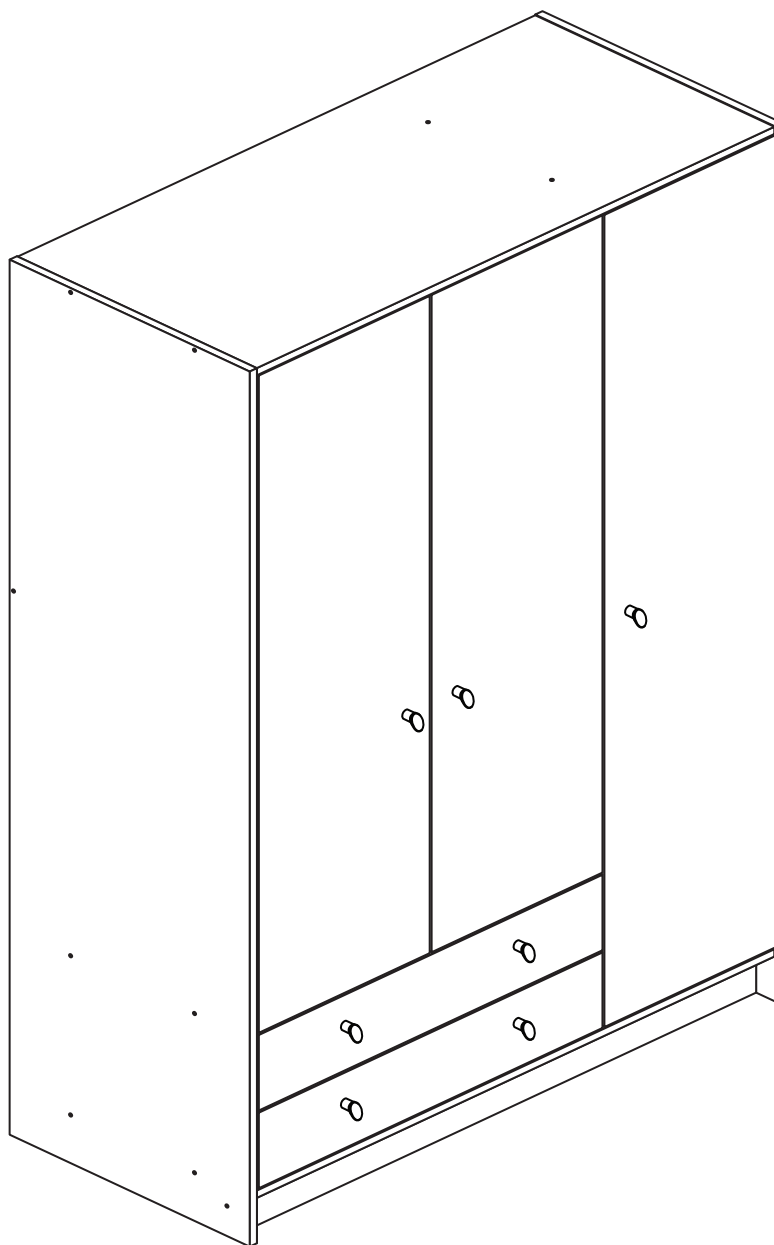
238/5792

249/4298

257/7861

268/8554

248/7803



Dimensions

Width - 110cm

Depth - 49.5cm

Height - 181cm



**MADE IN
BRITAIN**

Important - Please read these instructions fully before starting assembly

If you need help or have damaged or missing parts, call the **Customer Helpline: 08456 400800**



Safety and Care Advice

Important - Please read these instructions fully before starting assembly

- **Warning:** This unit weighs approximately 76kgs. Please lift with care.
- Check you have all the components and tools listed on pages 1, 2 and 3.
- Remove all fittings from the plastic bags and separate them into their groups.
- Keep children and animals away from the work area, small parts could choke if swallowed.
- Parts of the assembly will be easier with 2 people.

- Make sure you have enough space to layout the parts before starting.
- Do not stand or put weight on the product, this could cause damage.
- Assemble the item as close to its final position (in the same room) as possible.
- Assemble on a soft level surface to avoid damaging the unit or your floor (use opened out unit carton).



• We do not recommend the use of power drill/drivers **for inserting screws**, as this could damage the unit. Only use hand screwdrivers.

• **Safety note:** It is recommended that this unit is secured to a wall using the bracket supplied.

• Dispose of all packaging carefully and responsibly.

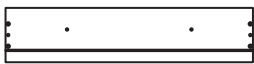
Care and maintenance

- Only clean using a damp cloth and mild detergent, do not use bleach or abrasive cleaners.
- From time to time check that there are no loose screws on this unit.
- This product should not be discarded with household waste. Take to your local authority waste disposal centre.

Components - Panels

If you have damaged or missing components, call the **Customer Helpline: 08456 400800** quoting the reference numbers below

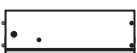
Please check you have all the panels listed below



1 Drawer Front (D2783A)
(710 x 156mm) x 2



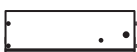
4 Drawer Back (W682-124BCK)
(682 x 124mm) x 2



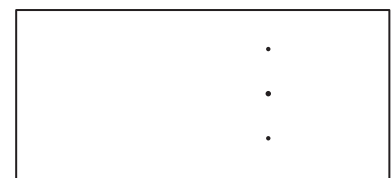
2 Left Drawer Side (W370-124LH)
(370 x 124mm) x 2



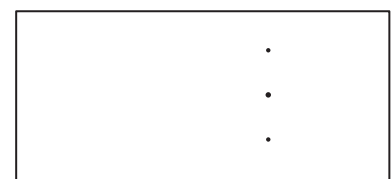
5 Drawer Base (T693-367)
(693 x 367mm) x 2



3 Right Drawer Side (W370-124RH)
(370 x 124mm) x 2



6 Top (D2837A)
(1071 x 494mm)

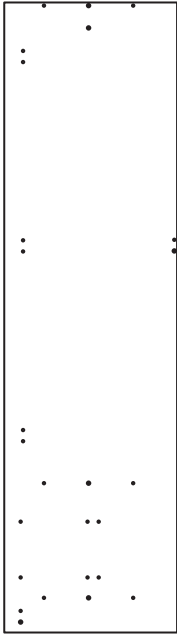


7 Base (D2842A)
(1071 x 494mm)

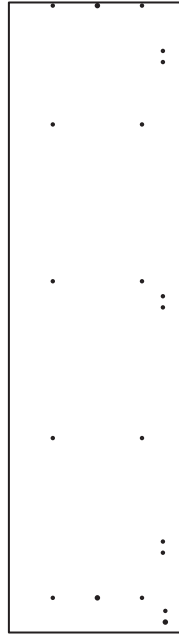
Components - Panels

If you have damaged or missing components, call the
Customer Helpline: 08456 400800 quoting the reference
numbers below

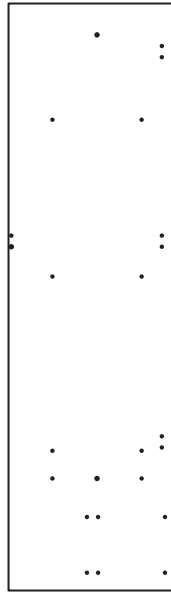
Please check you have all the panels listed below



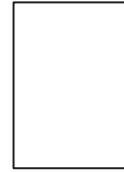
8 Left Side (D2838A)
(1808 x 496mm)



9 Right Side (D2839A)
(1808 x 496mm)



10 Upright (D2840A)
(1684.5 x 477mm)



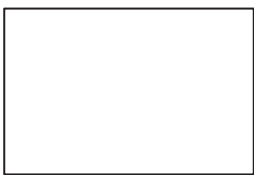
11 Shelf (D2843A)
(339 x 476mm) x 3



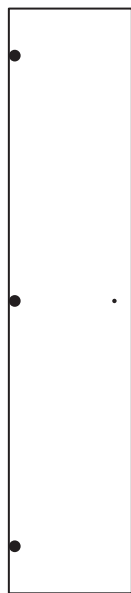
12 Back Rail (D2847A)
(716 x 92mm)



13 Plinth (D2844A)
(1071 x 92mm)



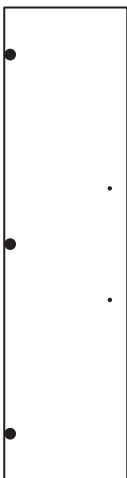
14 Horizontal (D2841A)
(716 x 476mm)



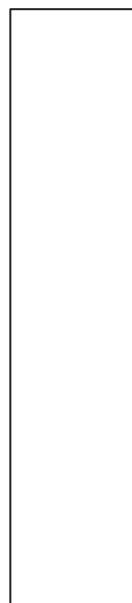
16 Large Door (D2845A)
(1678 x 353mm)



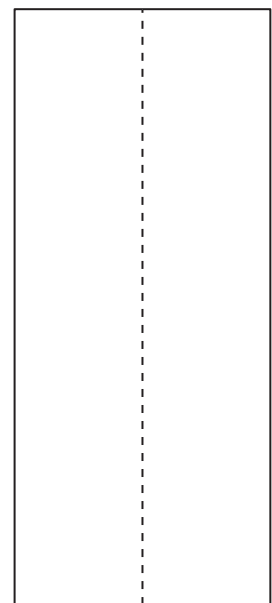
17 Hanging Rail (FHR708)
(708mm long)



15 Small Door (D2846A)
(1358 x 353mm) x 2



18 Small Back (X1710-358)
(1710 x 358mm)



19 Large Back (X1710-734)
(1710 x 734mm)


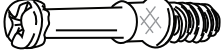





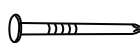
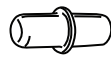
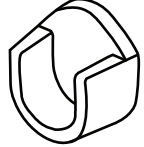
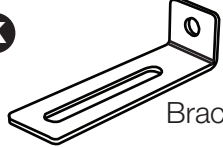





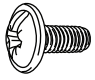
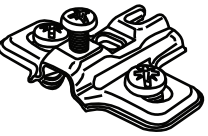
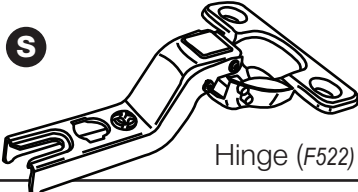





Components - Fittings

If you have damaged or missing components, call the **Customer Helpline: 08456 400800** quoting the reference numbers below

Please check you have all the fittings listed below

Note: The quantities below are the correct amount to complete the assembly. In some cases more fittings may be supplied than are required.

<p>A </p> <p>Wooden dowel (F22) x 12</p>	<p>B </p> <p>Metal dowel (F901) x 4</p>	<p>C </p> <p>Small locking nut (F3) x 4</p>
<p>D </p> <p>40mm Screw (F910) x 20</p>	<p>E </p> <p>25mm Screw (F50) x 7</p>	<p>F </p> <p>13mm Screw (F79) x 1</p>
<p>G </p> <p>13mm Screw (F63) x 20</p>	<p>H </p> <p>Nail (F51) x 37</p>	<p>I </p> <p>Shelf stud (F110) x 12</p>
<p>J </p> <p>Rail holder (F1014) x 2</p>	<p>K </p> <p>Bracket (F327 x 1)</p>	<p>L </p> <p>Handle (F631) x 7</p>
<p>M </p> <p>Nail screw (F277) x 5</p>	<p>N </p> <p>Back holder (F276) x 5 *These can also be round</p>	<p>O </p> <p>Knock-in Peg (F171GY) x 8</p>
<p>P </p> <p>Drawer runner (F1004) x 4</p>		<p>Q </p> <p>9mm Screw (F74) x 4</p>
<p>R </p> <p>Hinge plate (F523) x 9</p>	<p>S </p> <p>Hinge (F522) x 9</p>	<p>T </p> <p>9mm Screw (F73) x 8</p>
<p>U </p> <p>Wedgex (F639) x 8</p>	<p>V </p> <p>Plastic Nail (F91) x 5</p>	

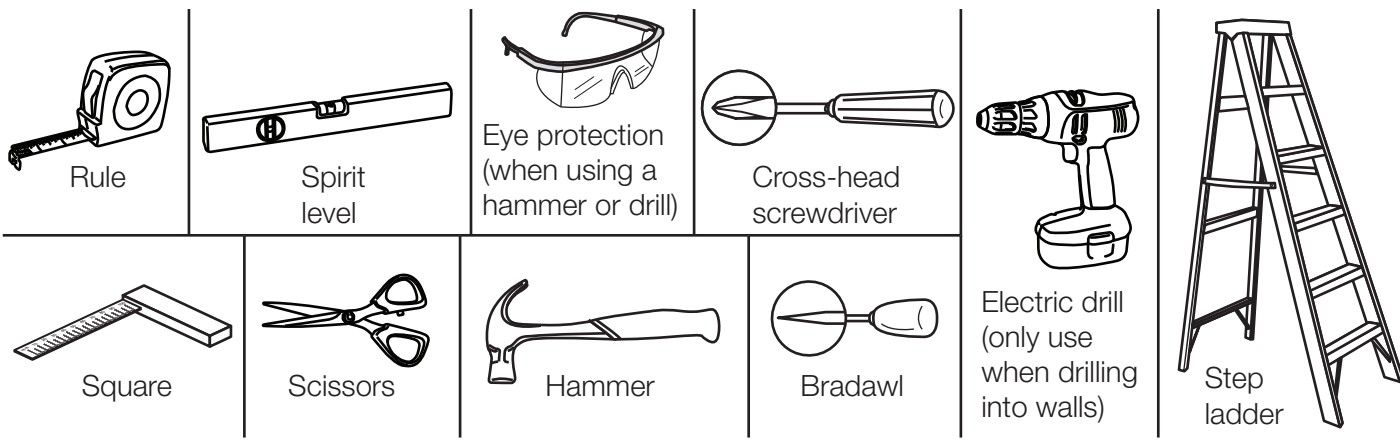
Ruler - Use this ruler to help correctly identify the screws



Assembly Instructions

If you have damaged or missing components, call the
Customer Helpline: 08456 400800 quoting the reference
numbers below

Tools required

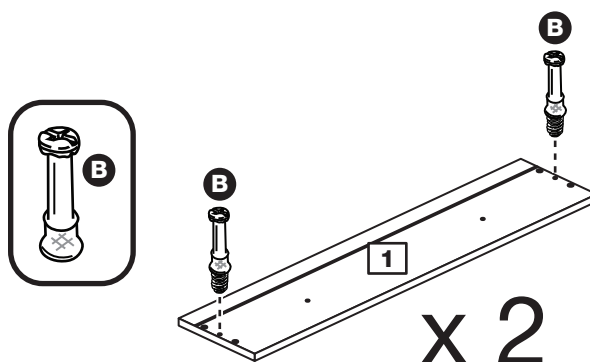


Step 1

Prepare the 2 drawer fronts

Screw 2 metal dowels **B** into each of the drawer fronts **1**.

Note: Tighten the metal dowels up fully against the panels.

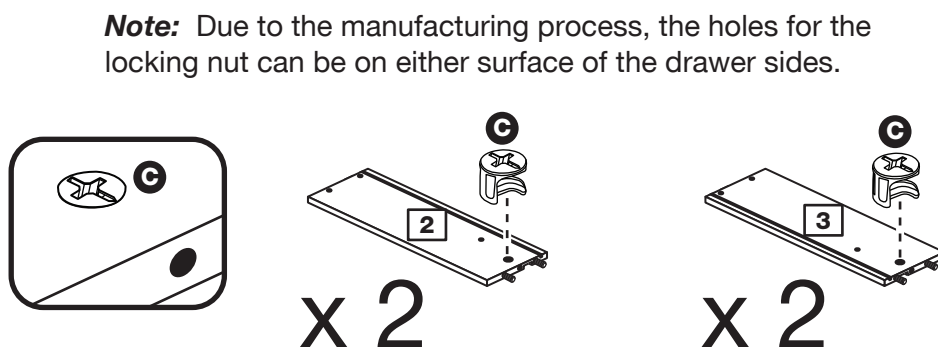


Step 2

Prepare the drawer sides

Insert a small locking nut **C** into the hole shown on the left drawer side **2** and the right drawer side **3**.

Note: The arrow on the locking nut **must** point towards the hole in the edge of the panel.



Assembly Instructions

Step 3

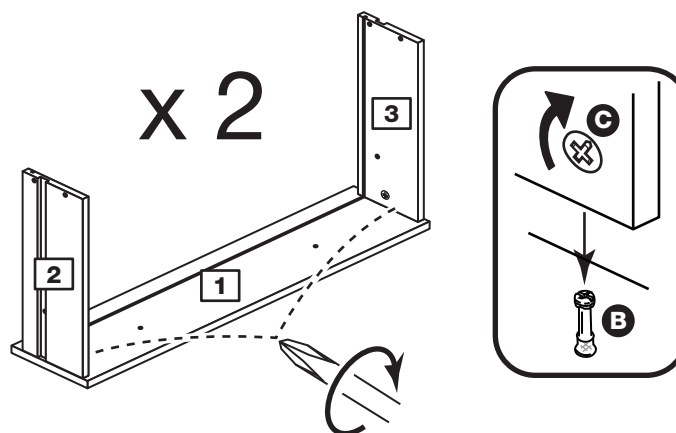
Attach the drawer sides to the drawer fronts

Push the left drawer sides **2** and right drawer sides **3** onto the back of the drawer fronts **1**.

Turn the small locking nuts **C** on the left drawer side **2** and right drawer side **3**.

Note: Turn the locking nuts **C** clockwise to secure panels - more than 1/2 a turn.

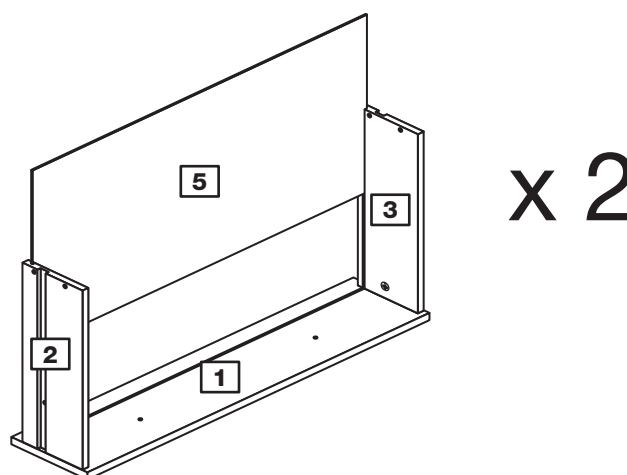
Note: The locking nuts can be on either surface of the drawer sides. Make sure that the small groove is on the inside, as shown.



Step 4

Fit the drawer base

Slide the drawer base **5** down the grooves in the drawer sides **2** and **3** and down into the groove in the drawer front **1**.

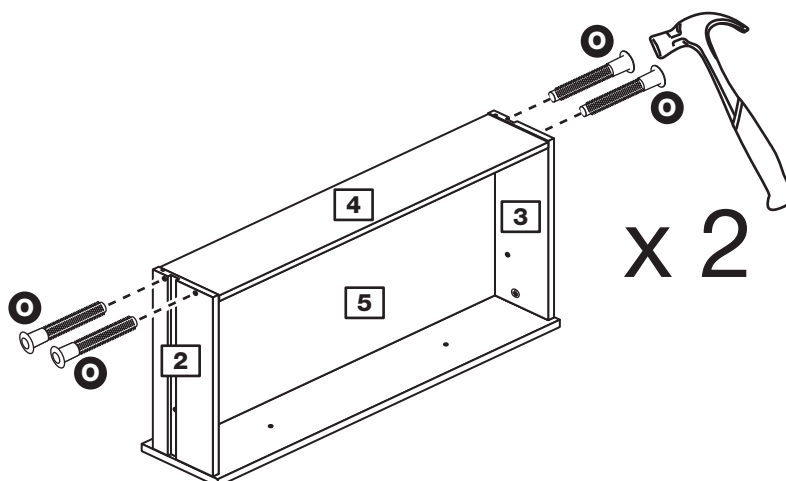


Step 5

Fit the drawer back

Fit the drawer back **4** between the drawer sides **2** and **3**. Make sure that the drawer base **5** fits into the groove in the drawer back **4**.

Hold the drawer back **4** in position and tap the knock-in pegs **O** through the holes in the drawer sides **2** and **3**.



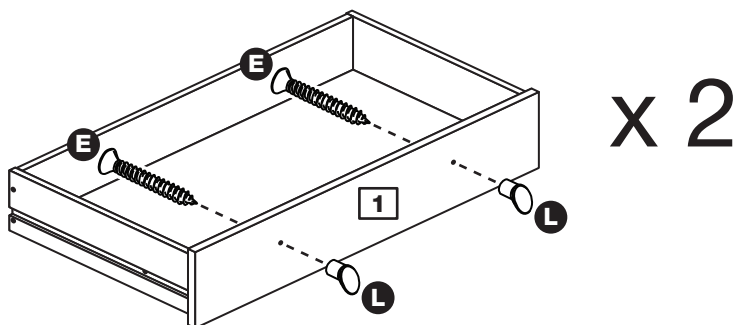
Assembly Instructions

Step 6

Attach the handles

Attach 2 handles **L** to each of the drawer fronts **1** using screws **E**.

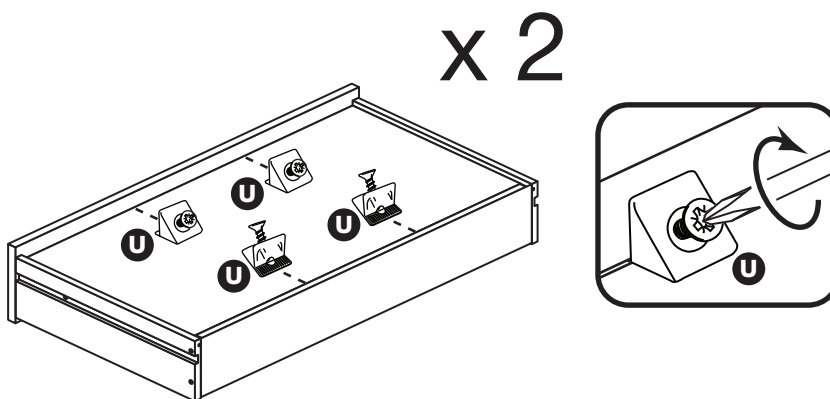
Note: Do not overtighten the screw.



Step 7

Fit the wedgexes

Turn the drawer assemblies over and slide 4 wedgexes **U** into the front and back grooves, as shown, and tighten up the screws.

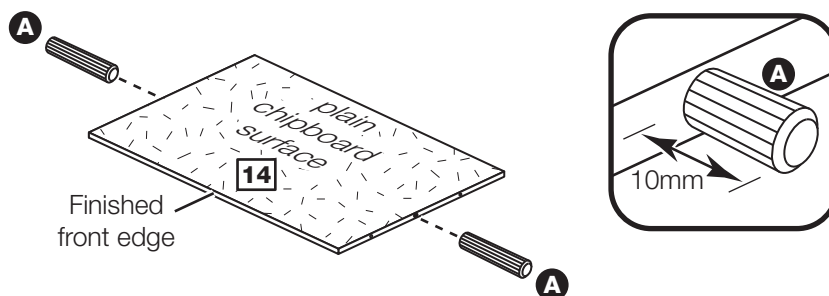


Step 8

Prepare the horizontal

Tap 2 wooden dowels **A** into the horizontal **14**.

Note: Wooden dowels **must not** stick out from the edge by more than 10mm or they may damage other panels.



Assembly Instructions

Step 9

Prepare the upright

a: Push a rail holder **J** into the upright **10**. Make sure that it is fitted straight, in line with the panel edges and then secure with screw **G**.

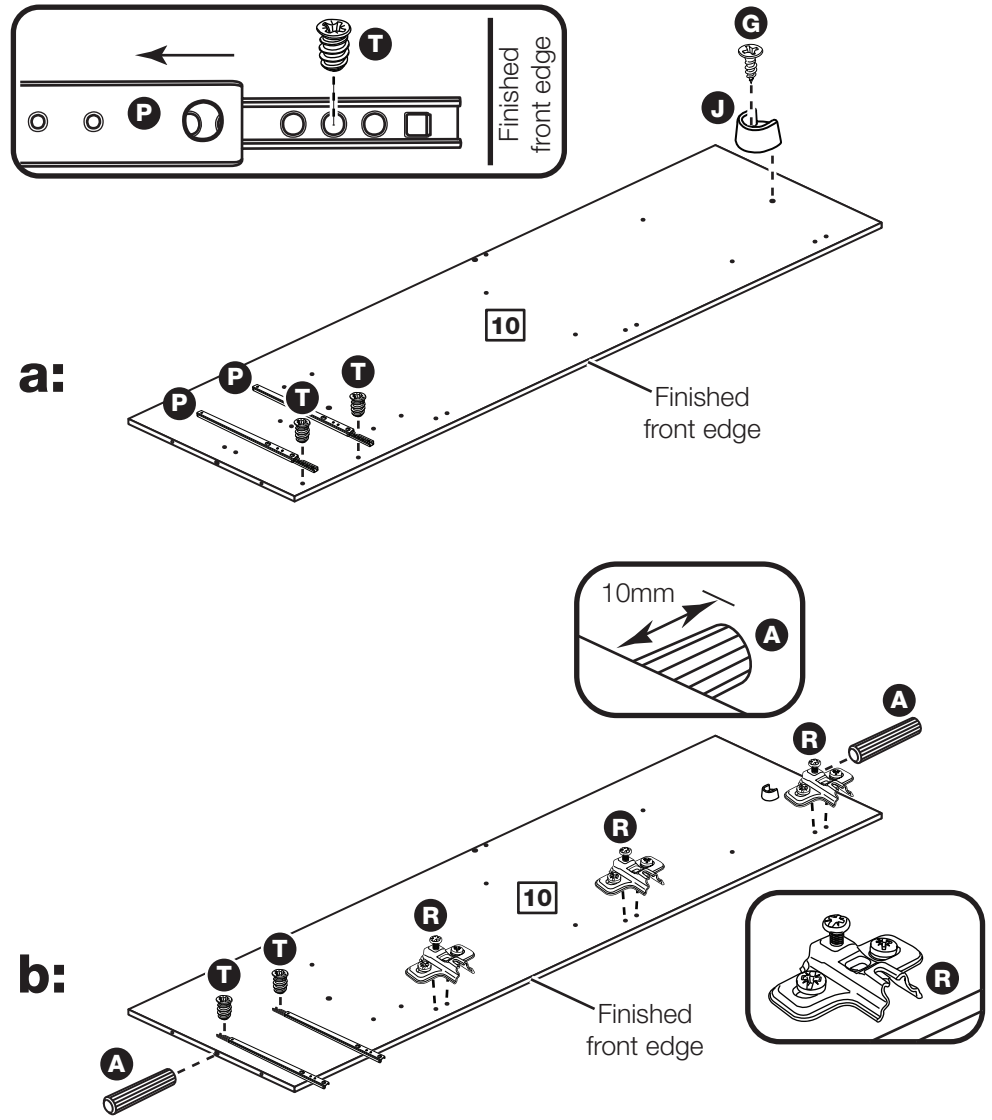
Place 2 runners **P** on the upright **10** as shown. Slide back the top of runner and use the 2nd hole from the front to fit the 1st screw **T**.

b: Slide the runner **P** back the other way and fit the 2nd screw **T** into the corresponding hole in the upright **10**.

Tap 2 wooden dowels **A** into the left upright **10**.

Note: Wooden dowels **must not** stick out from the edge by more than 10mm or they may damage other panels.

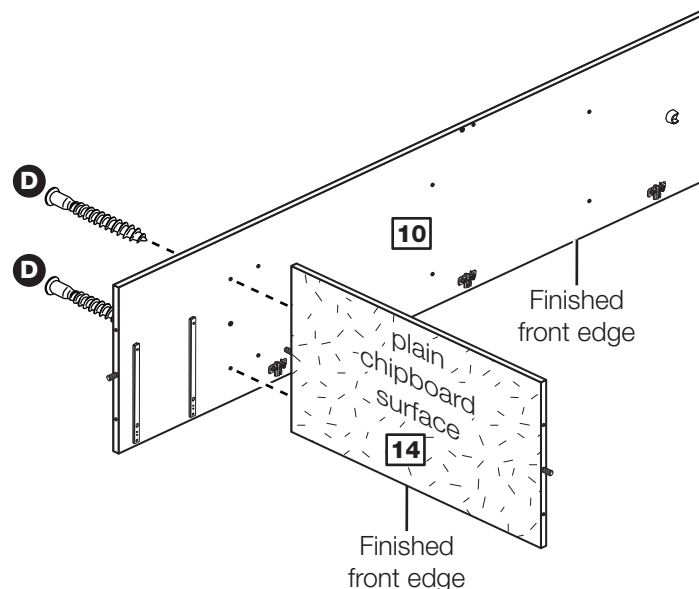
Fit 3 hinge plates **R** onto the upright **10** making sure that the slot is facing towards the finished front edge.



Step 10

Fit the horizontal to the upright

Push the horizontal **14** onto the upright **10** and secure it with 2 screws **D**.

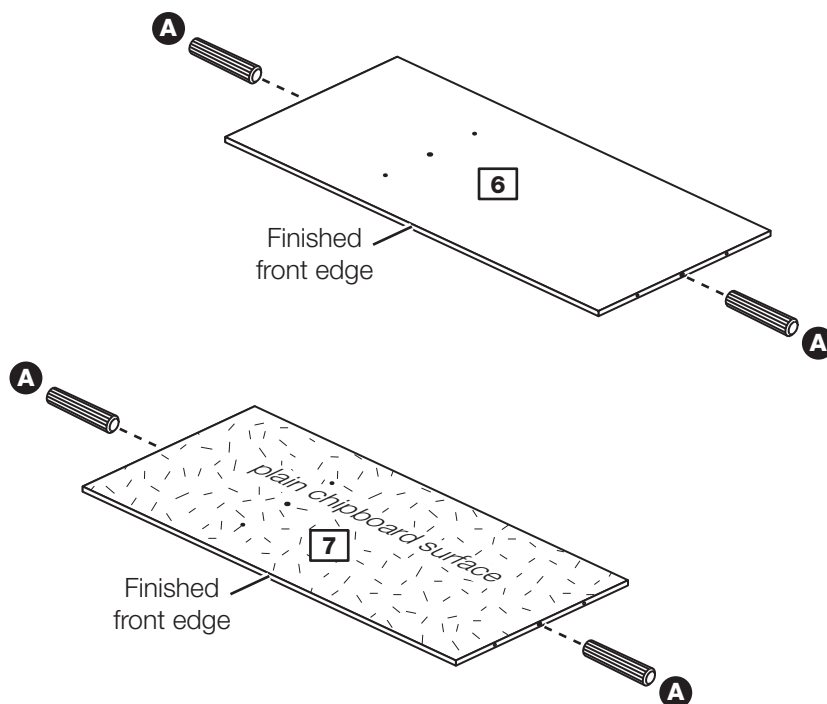


Assembly Instructions

Step 11

Prepare the top and base

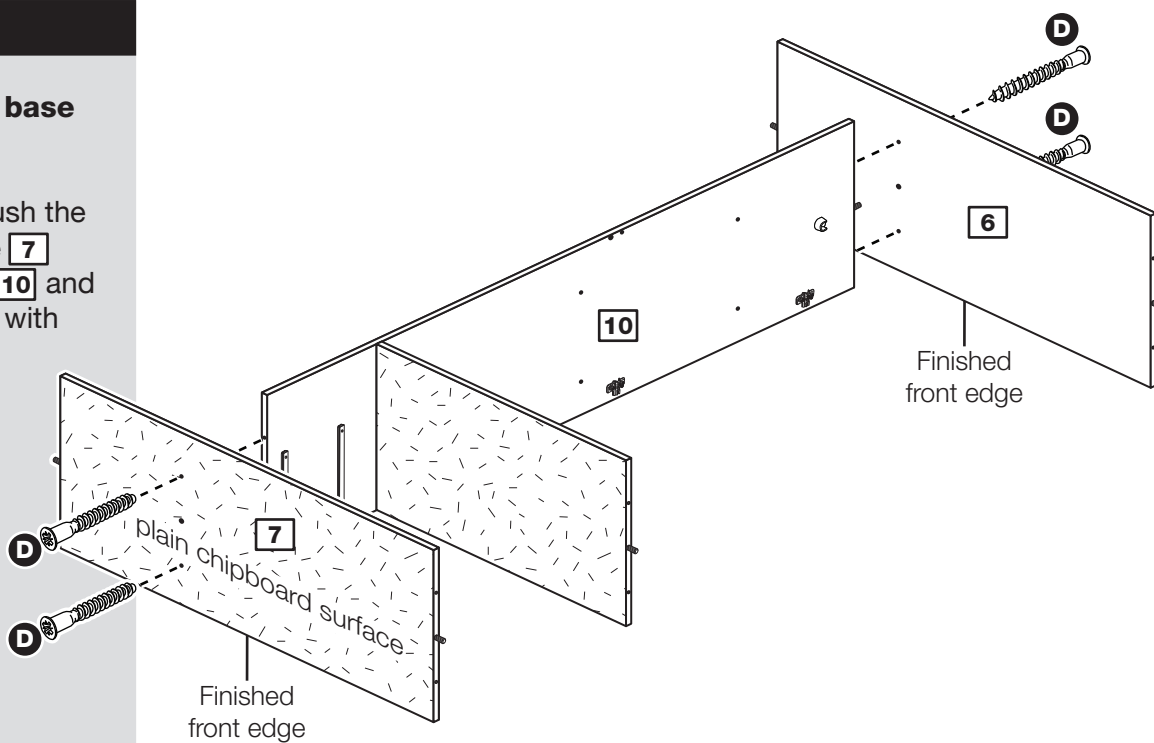
Tap 2 wooden dowels **A** into the top **6** and the base **7**.



Step 12

Fit the top and base to the upright

One at a time, push the top **6** and base **7** onto the upright **10** and secure each one with 2 screws **D**.

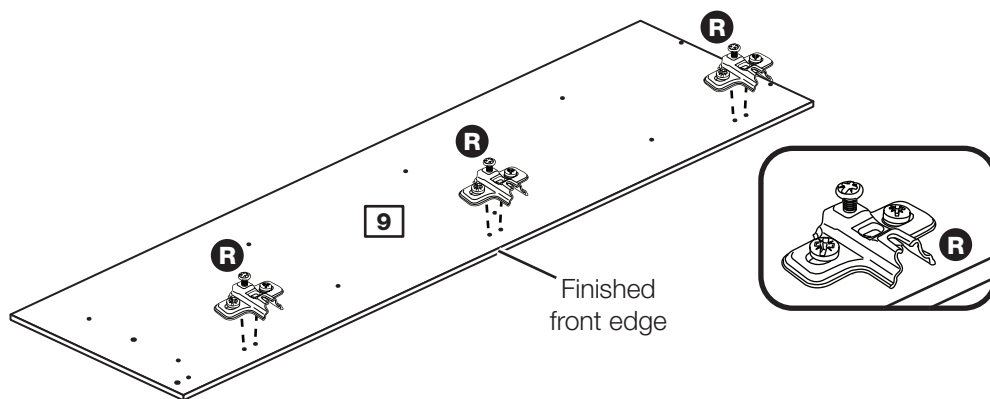


Assembly Instructions

Step 13

Prepare the right side

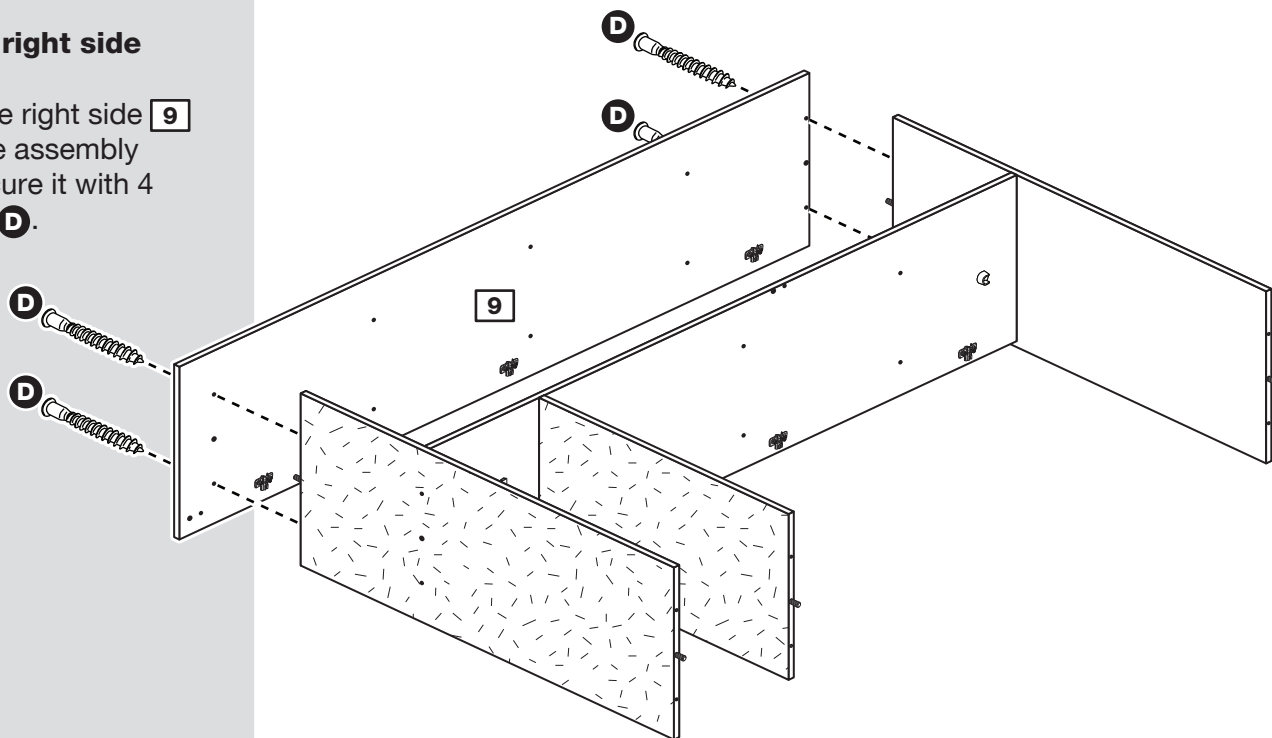
Fit 3 hinge plates **R** onto the right side **9**, making sure that the slot is facing towards the finished front edge.



Step 14

Fit the right side

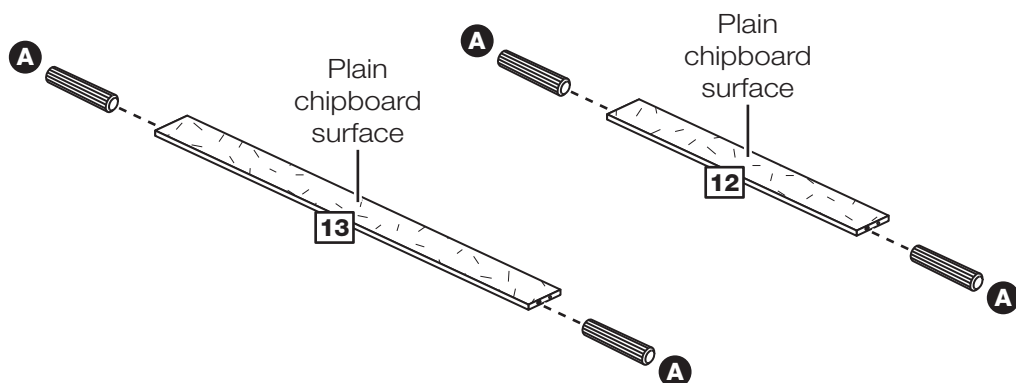
Push the right side **9** onto the assembly and secure it with 4 screws **D**.



Step 15

Prepare the back rail and plinth

Tap 2 wooden dowels **A** into the back rail **12** and the plinth **13**.



Assembly Instructions

Step 16

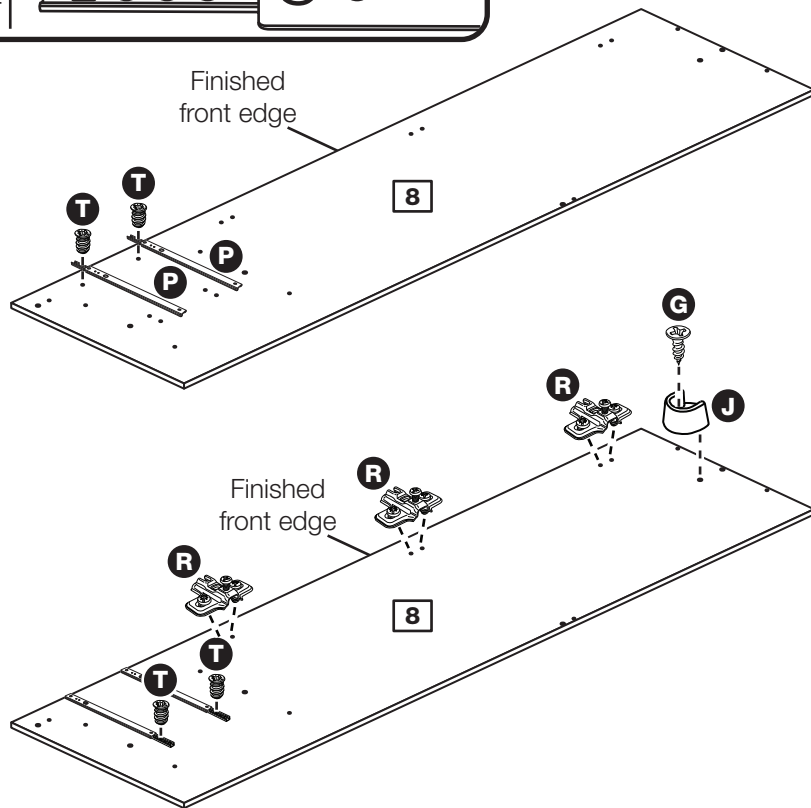
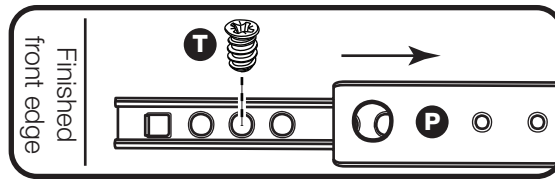
Prepare the left side

a: Place 2 runners **P** on the left side **8** as shown. Slide back the top of runner and use the 2nd hole from the front to fit the 1st screw **T**.

b: Slide the runner **P** back the other way and fit the 2nd screw **T** into the corresponding hole in the left side **8**.

Fit 3 hinge plates **R** onto the right side **8** making sure that the slot is facing towards the finished front edge.

Push a rail holder **J** into the left side **8**. Make sure that it is fitted straight, in line with the panel edges and then secure with screw **G**.

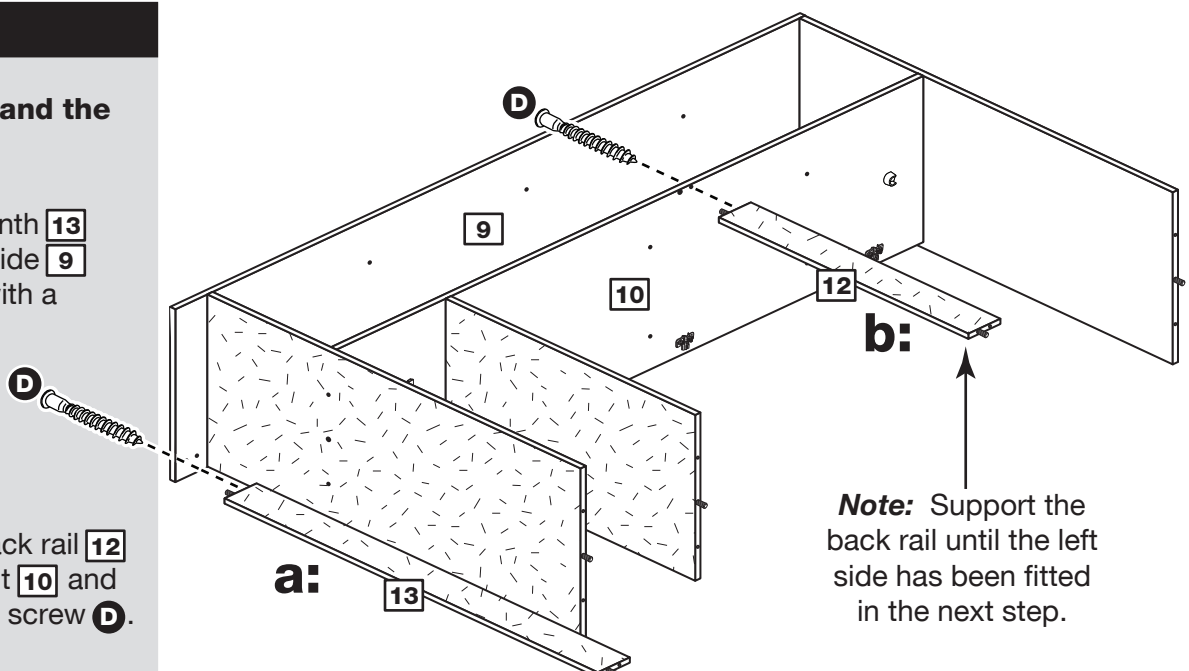


Step 17

Fit the plinth and the back rail

a: Push the plinth **13** onto the right side **9** and secure it with a screw **D**.

b: Push the back rail **12** onto the upright **10** and secure it with a screw **D**.



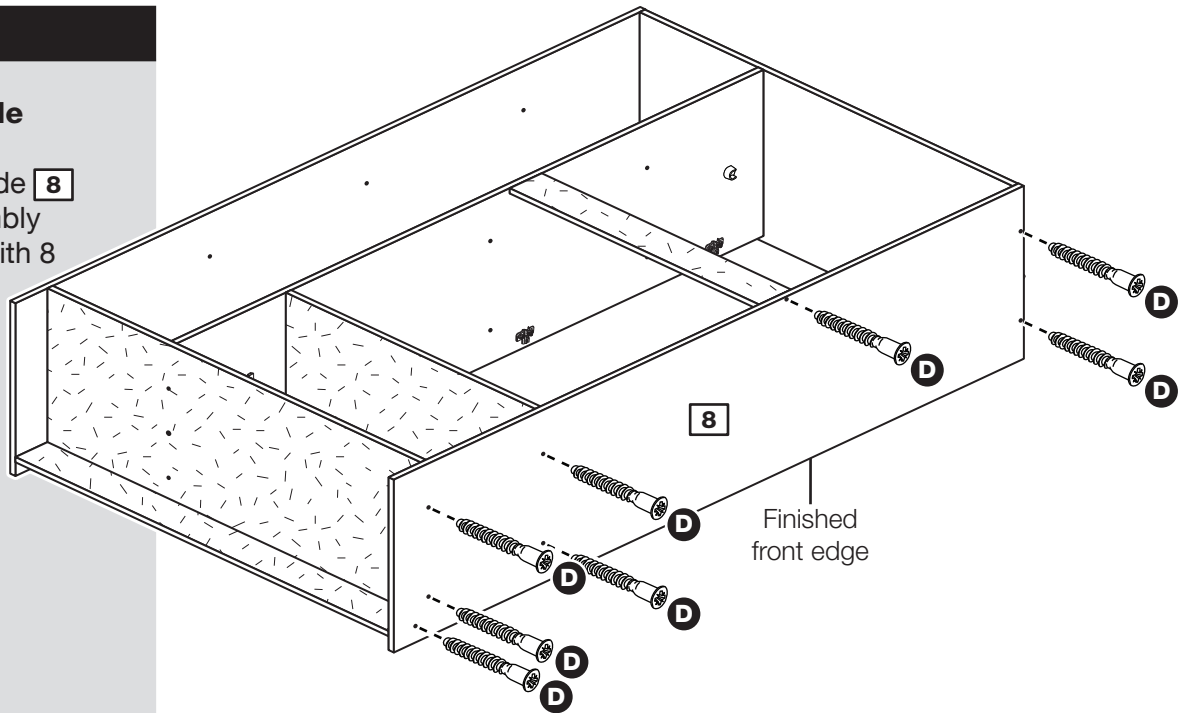
Note: Support the back rail until the left side has been fitted in the next step.

Assembly Instructions

Step 18

Fit the left side

Push the left side **8** onto the assembly and secure it with 8 screws **D**.



Step 19

Fit the back panels

a: Square up the unit by making sure that measurement **x:x equals y:y**.

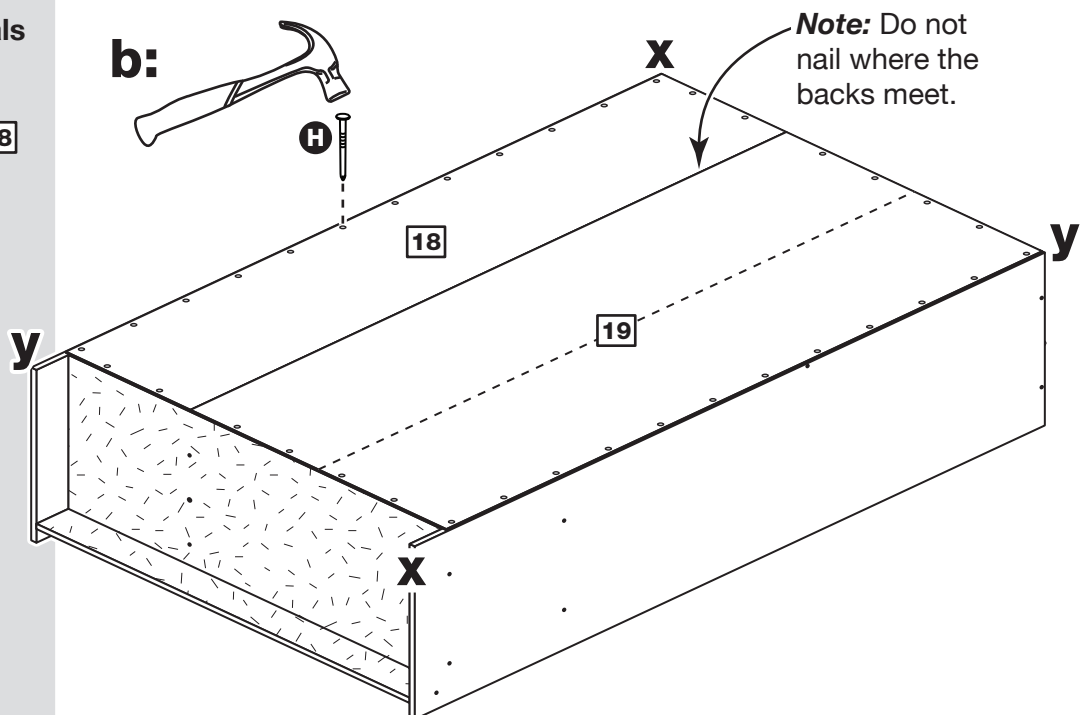
Place the small back **18** and the large back **19** down onto the unit as shown.

Make sure that the backs are pushed up tight against each other and that they meet over the back edge of the upright.

b: Nail **H** around the outside edges of the backs.

Note: Do not nail where the backs meet. Nails should be spaced about 150mm apart.

a: The measurement from top corner **X** to bottom corner **X** must be equal to the measurement from top corner **Y** to bottom corner **Y**



Assembly Instructions

Step 20

Secure the backs and fit the 4 plastinails

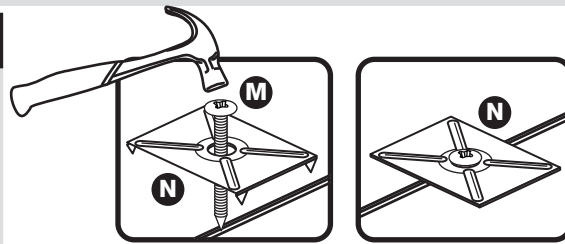
Tap the nail screws **M** through the back holders **N** and down between the backs **18** and **19** into the back edge of the divider.

Keep tapping the nail screws **M** in until the back holders **N** dig into the small and large back.

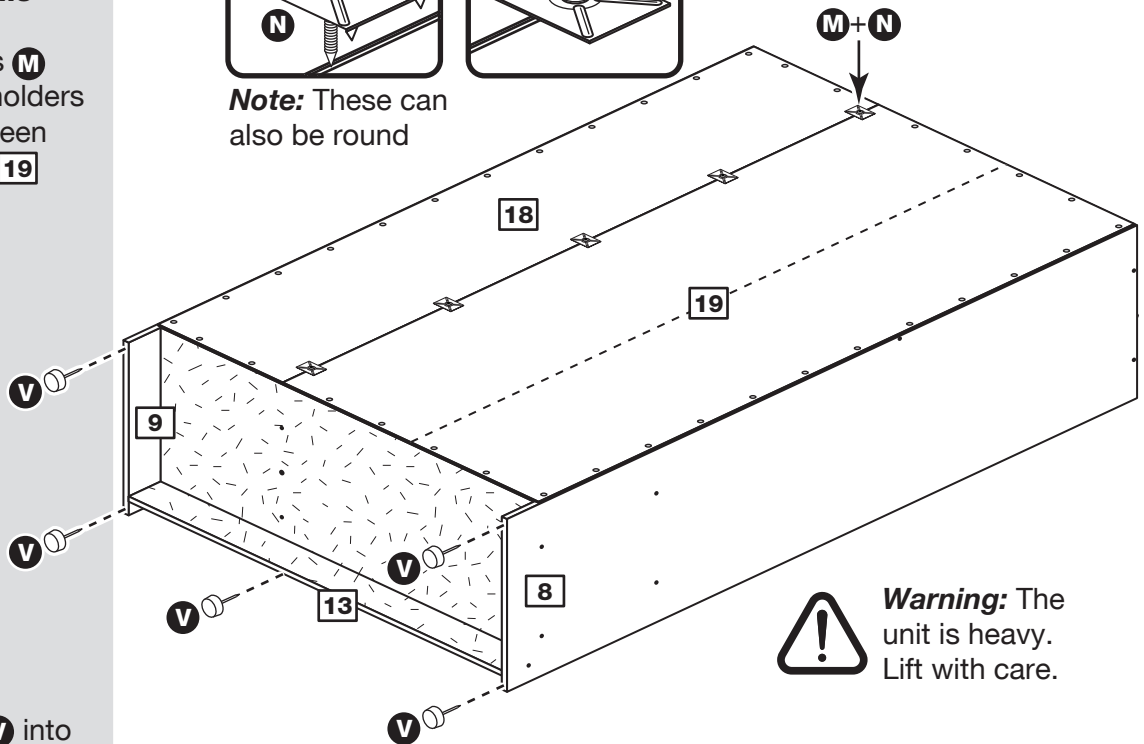
Tap 2 plastic nails **V** into the bottom edge of each side **8** and **9** as shown.

Tap 1 plastic nail **V** into the plinth **13** as shown.

Carefully stand the unit up for the next step.



Note: These can also be round



Warning: The unit is heavy. Lift with care.

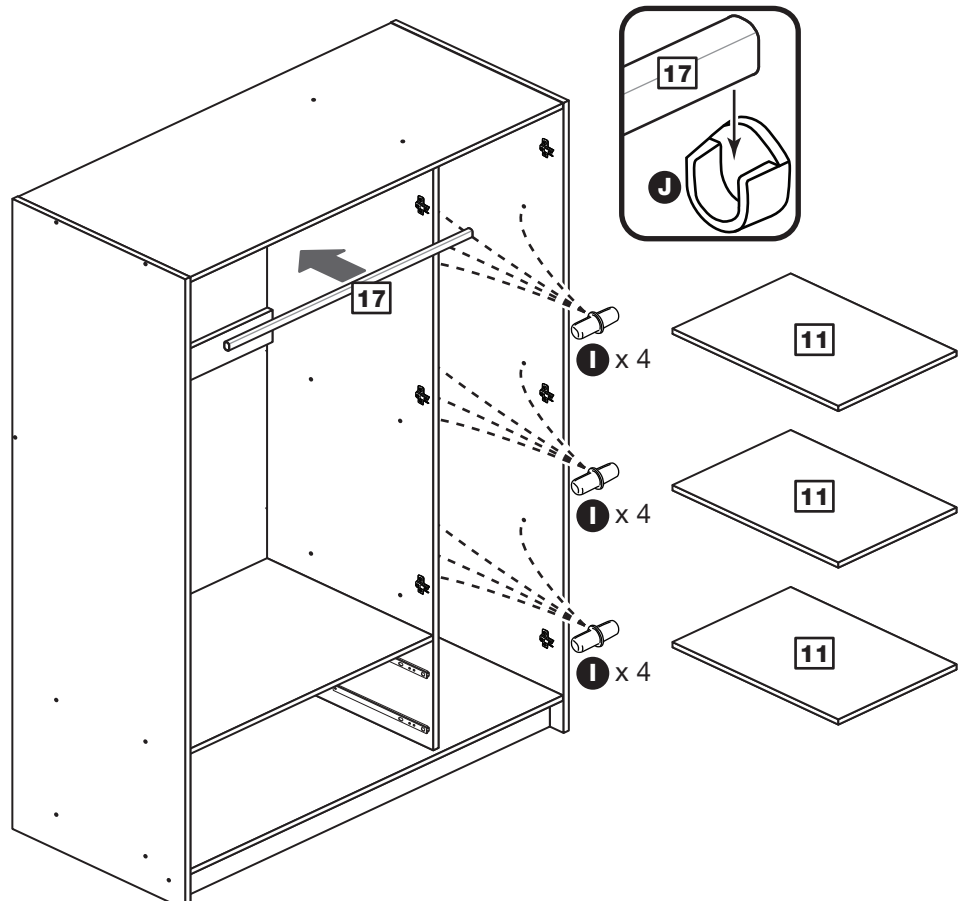
Step 21

Fit the hanging rail and the shelves

Push the hanging rail **17** into the rail holders **J**.

For each of the 3 shelves **11**, insert 4 shelf studs **I**.

Lower the 3 shelves **11** down onto the shelf studs **I**.



Assembly Instructions

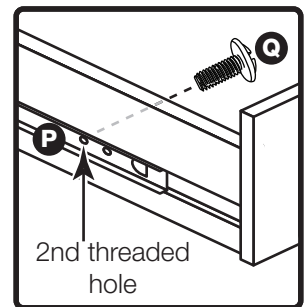
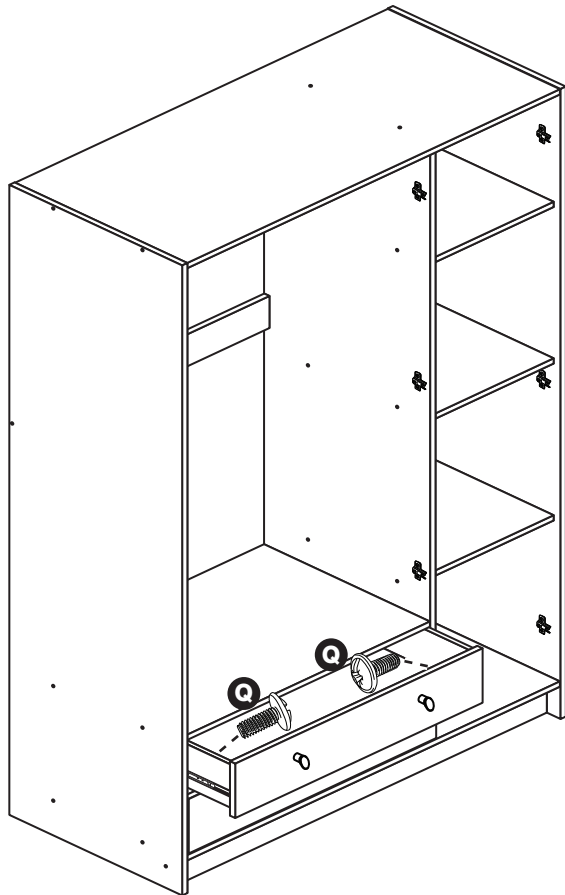
Step 22

Fit the drawers

Starting with the bottom drawer, slide both the runners **P** forward and locate the drawer sides **2** and **3** between them, lining up the holes in the drawer wrap with the 2nd 'threaded' holes in the runners **P**.

Working from the inside of the drawer, insert 2 screws **Q** through the drawer sides and out into the 2nd threaded hole in the runner.

Note: Do not overtighten the screws. If they catch on the runner you may need to loosen them slightly.



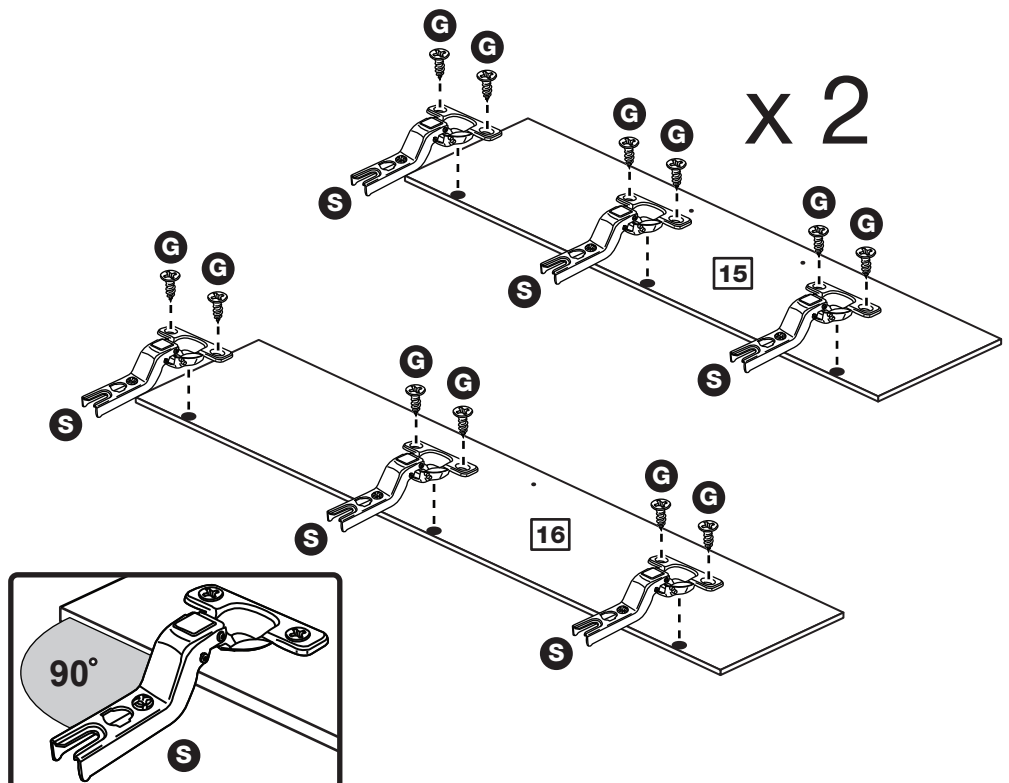
Step 23

Prepare the 3 doors

Push fit 3 hinges **S** into each of the 2 small doors **15** and the large door **16**.

Secure each hinge with 2 screws **G**.

Note: Before securing with the screws, make sure that the hinges are positioned at 90 degrees with the edge of the door.



Assembly Instructions

Step 24

Drill a handle hole in each small door

Important: Please follow these instructions carefully.

Lay the 2 small doors **15** down onto a smooth surface.

Check that the hinges and holes are in the same place as the diagrams.

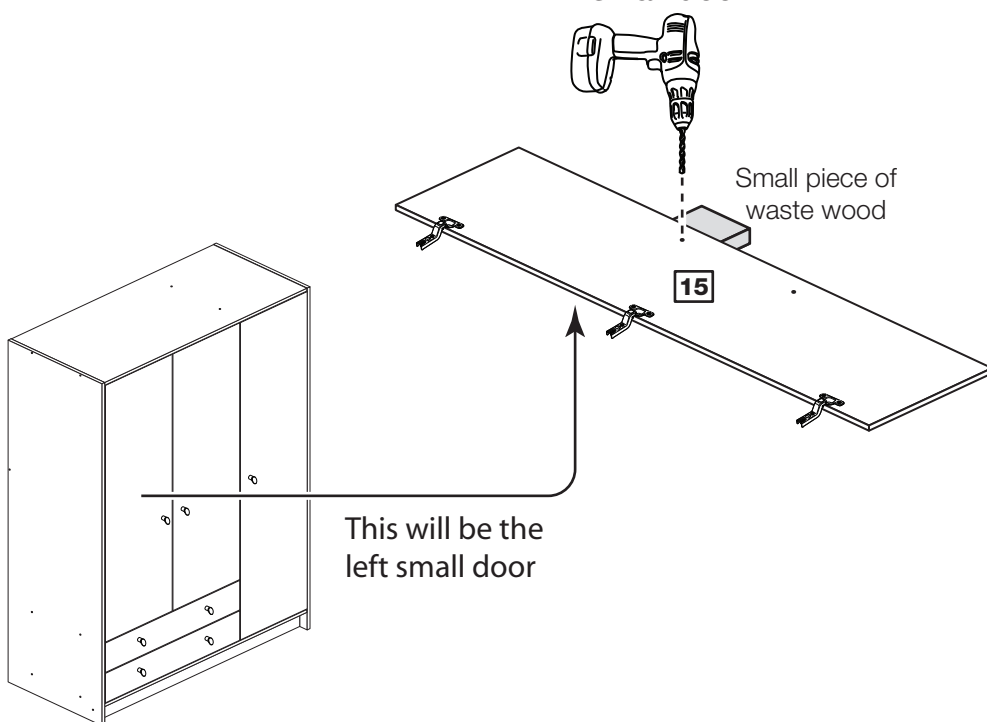
Note: We recommend the use of a small piece of waste wood, placed behind the hole while drilling, to reduce the possibility of any breakout.

Using the pilot hole in the rear face of the door, drill through the hole indicated opposite, using a 2.5mm diameter drill.

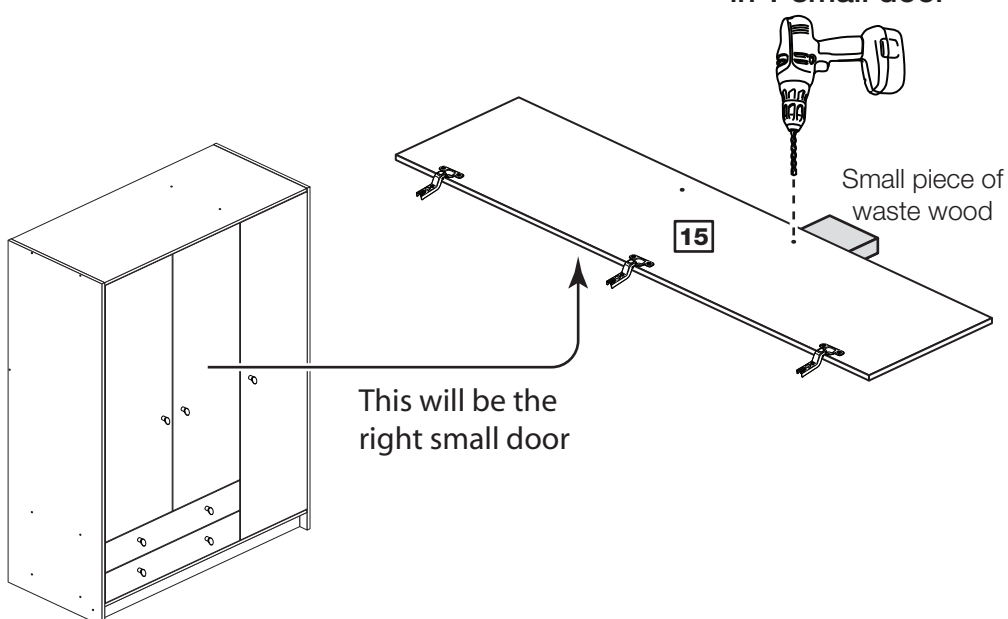
Turn the door over and open out the 2.5mm hole that you have just drilled by drilling back through it with a 5mm drill.

IMPORTANT Carefully choose which hole you need to drill in each of the 2 small doors

ONLY drill this hole in 1 small door



ONLY drill this hole in 1 small door



Assembly Instructions

Step 25

Fit doors and handles

Note: The easiest way to attach each door **15** and **16** is to fit the top hinge first, then align and fit the other hinges.

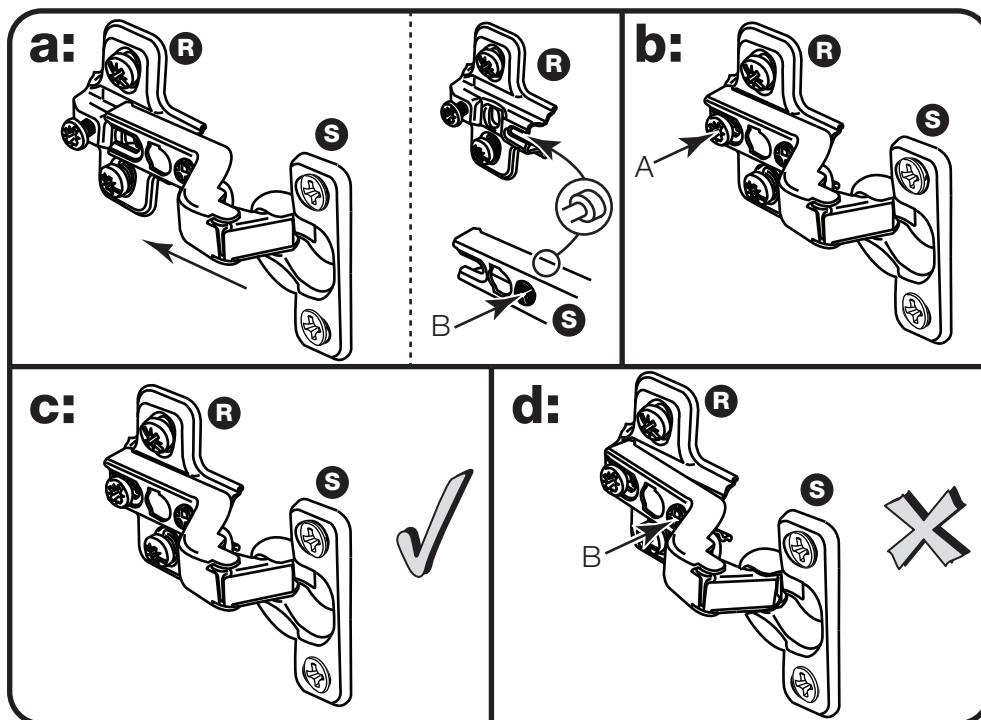
a: Push the hinge **S** onto the front part of the hinge plate **R**. The recess at the bottom of screw B goes into the slot in the hinge plate.

b: Keep the hinge **S** FLAT against the hinge plate **R** as you slide it across as far as it will go. Tighten screw A.

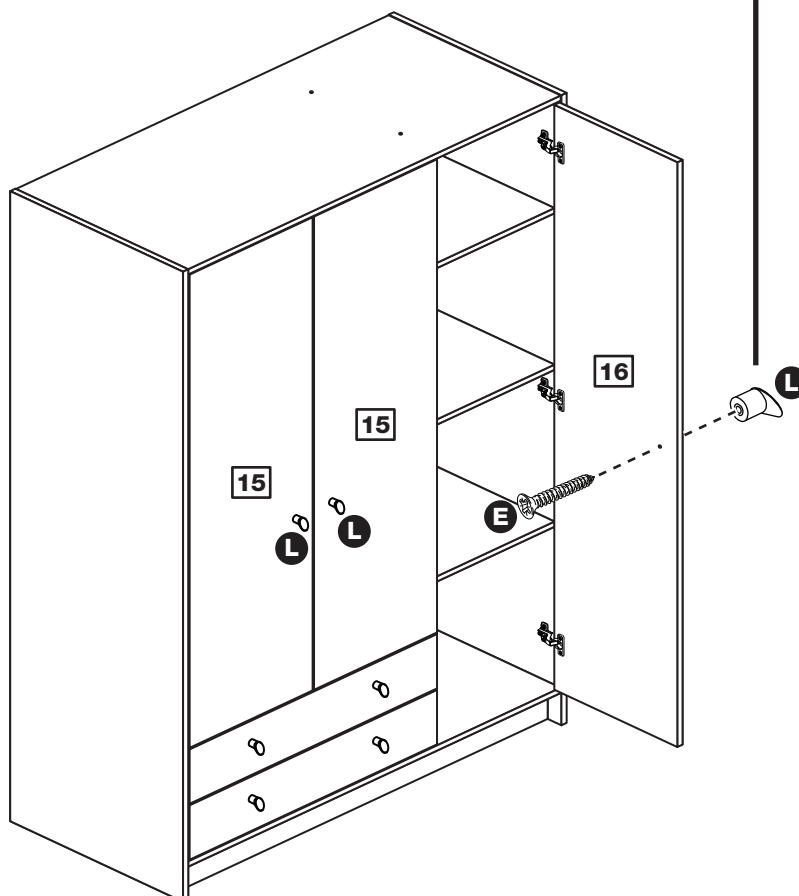
c: The hinge **S** must be flat against the hinge plate **R** prior to any adjustment.

d: The hinge **S** must NOT be AT AN ANGLE to the hinge plate **R** when assembled. This would indicate that the recess at the bottom of screw B had not located in the slot in the hinge plate and the hinge would not be secure. Remove the hinge from the hinge plate and then re-assemble being careful to follow instructions a-c.

e: Attach a handle **L** to each door **15** and **16** using screws **E**.



Note: When fitting the small doors, make sure that the handle hole you had to drill is nearest to the bottom of the door.



Assembly Instructions

Step 26

Adjust the doors if needed

a: Before adjusting the doors, use a spirit level to check the base (or top) of the unit is level, front-to-back and side-to-side in the 3 positions shown. Use suitable packing pieces (not supplied) to make the unit level BEFORE making any adjustment to the hinges, as shown.

b: Height adjustment.

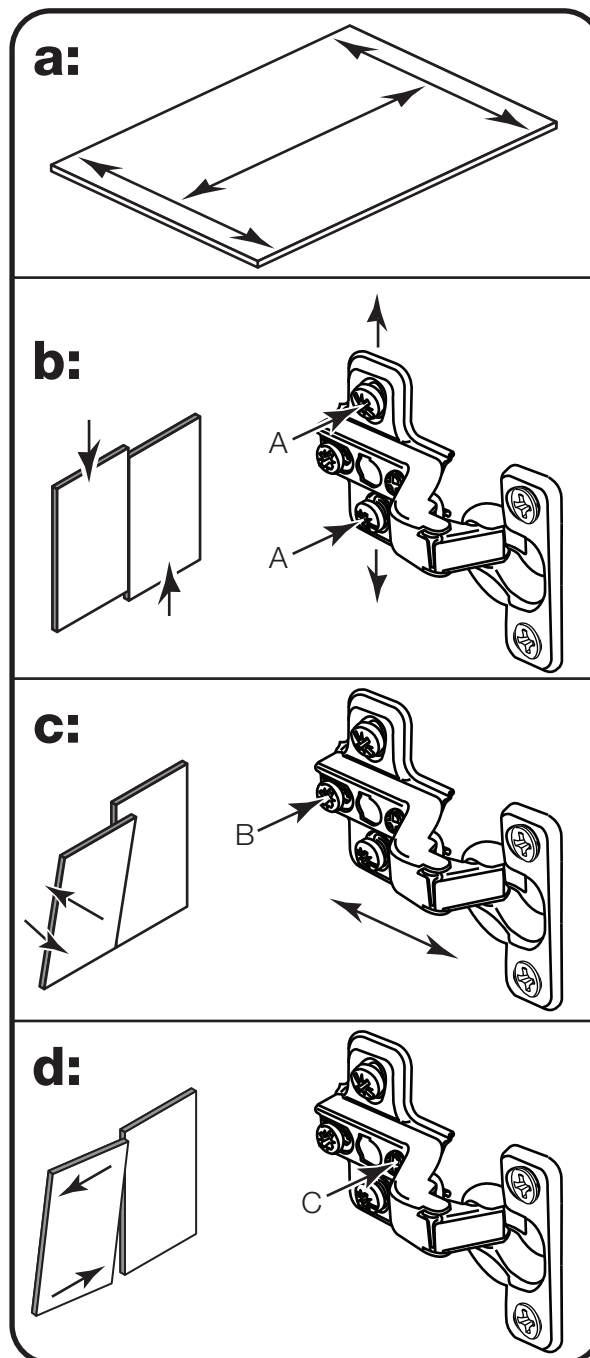
Loosen screws A on hinge plates and move door up or down as required. Retighten screw A.

c: Forward and Back adjustment.

Loosen screw B on hinge plate and move door in or out as required. Retighten screw B.

d: Sideways adjustment.

To move door 'out' loosen screw C. To move door 'in' tighten screw C.



Assembly Instructions

Step 27

Attach bracket to top

To prevent possible overbalancing, we recommend that this unit is secured to a suitable wall by use of the bracket **K** fitted to the top of the unit.

Fixings are not supplied, as they will need to suit the wall type and the length of screw will depend on the distance from the back of the unit to the wall.

Fix the bracket **K** loosely onto the top of the unit using screw **F** and mark the wall for the wall fixing.

Swivel the bracket **K** away from the wall and drill a hole in the wall using a suitable drill bit and fit your wall fixing.

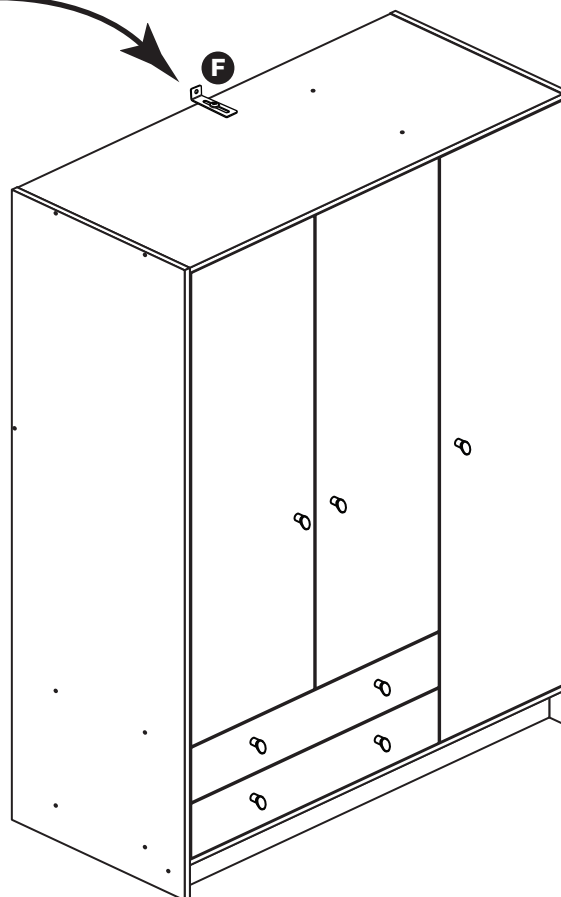
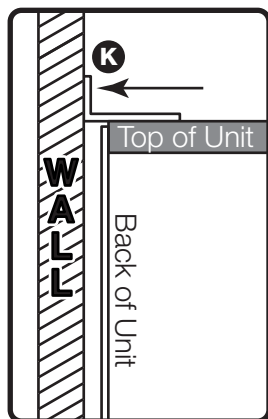
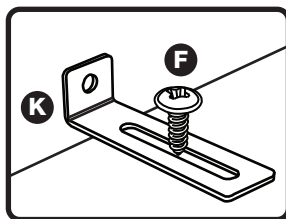
Swivel the bracket **K** back and fix the bracket to the wall, then tighten screw **F**.

Note: Take care when drilling the wall that you do not drill into any pipes, wires etc. If in doubt, consult an expert.

Assembly is complete



Warning: The unit is heavy. Lift with care.



If you need help or have damaged or missing parts, call the **Customer Helpline: 08456 400800** and quote the reference numbers on the component pages.

Argos Ltd, 489-499 Avebury Boulevard, Central Milton Keynes, MK9 2NW

Malibu - 2 Drawer 3 Door Robe

Assembly Instructions - Please keep for future reference

257/6109

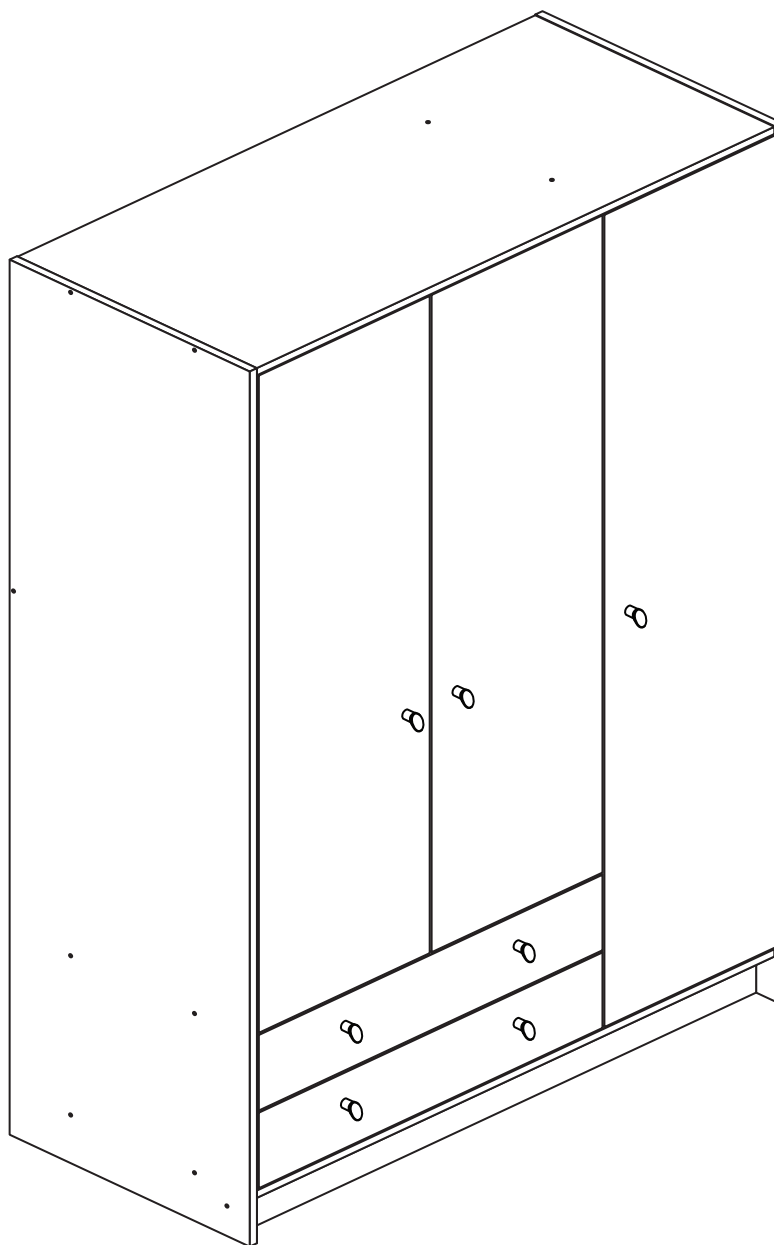
238/5792

249/4298

257/7861

268/8554

248/7803



Dimensions

Width - 110cm

Depth - 49.5cm

Height - 181cm



**MADE IN
BRITAIN**

Important - Please read these instructions fully before starting assembly

If you need help or have damaged or missing parts, call the **Customer Helpline: 03456 400800**



Safety and Care Advice

Important - Please read these instructions fully before starting assembly

- **Warning:** This unit weighs approximately 76kgs. Please lift with care.
- Check you have all the components and tools listed on pages 1, 2 and 3.
- Remove all fittings from the plastic bags and separate them into their groups.
- Keep children and animals away from the work area, small parts could choke if swallowed.
- Parts of the assembly will be easier with 2 people.

- Make sure you have enough space to layout the parts before starting.
- Do not stand or put weight on the product, this could cause damage.
- Assemble the item as close to its final position (in the same room) as possible.
- Assemble on a soft level surface to avoid damaging the unit or your floor (use opened out unit carton).



• We do not recommend the use of power drill/drivers **for inserting screws**, as this could damage the unit. Only use hand screwdrivers.

- **Safety note:** It is recommended that this unit is secured to a wall using the overbalance protector kit supplied or, an alternative fixing method of your choice.
- Dispose of all packaging carefully and responsibly.

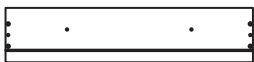
Care and maintenance

- Only clean using a damp cloth and mild detergent, do not use bleach or abrasive cleaners.
- From time to time check that there are no loose screws on this unit.
- This product should not be discarded with household waste. Take to your local authority waste disposal centre.

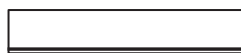
Components - Panels

If you have damaged or missing components, call the **Customer Helpline: 03456 400800** quoting the reference numbers below

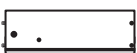
Please check you have all the panels listed below



1 Drawer Front (D2783A)
(710 x 156mm) x 2



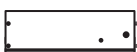
4 Drawer Back (W682-124BCK)
(682 x 124mm) x 2



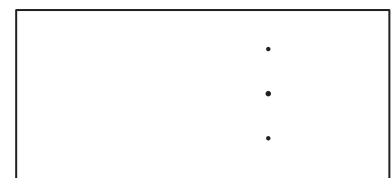
2 Left Drawer Side (W370-124LH)
(370 x 124mm) x 2



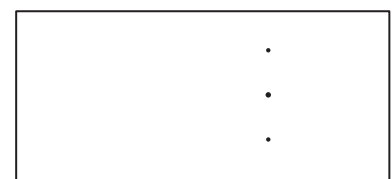
5 Drawer Base (T693-367)
(693 x 367mm) x 2



3 Right Drawer Side (W370-124RH)
(370 x 124mm) x 2



6 Top (D2837A)
(1071 x 494mm)

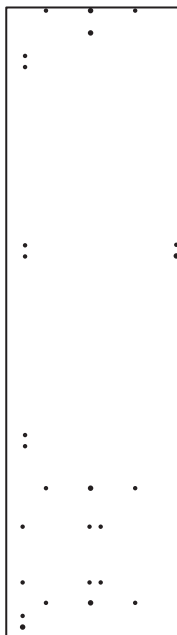


7 Base (D2842A)
(1071 x 494mm)

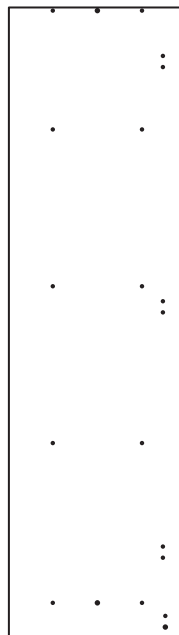
Components - Panels

If you have damaged or missing components, call the
Customer Helpline: 03456 400800 quoting the reference
numbers below

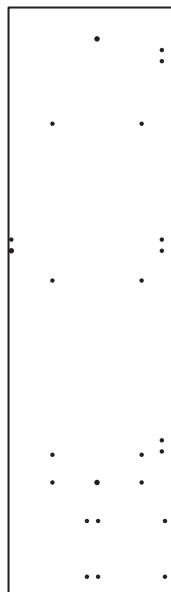
Please check you have all the panels listed below



8 Left Side (D2838A)
(1808 x 496mm)



9 Right Side (D2839A)
(1808 x 496mm)



10 Upright (D2840A)
(1684.5 x 477mm)



11 Shelf (D2843A)
(339 x 476mm) x 3



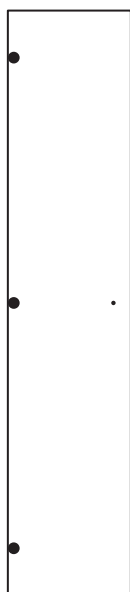
12 Back Rail (D2847A)
(716 x 92mm)



13 Plinth (D2844A)
(1071 x 92mm)



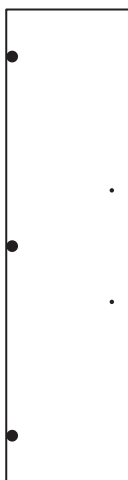
14 Horizontal (D2841A)
(716 x 476mm)



16 Large Door (D2845A)
(1678 x 353mm)



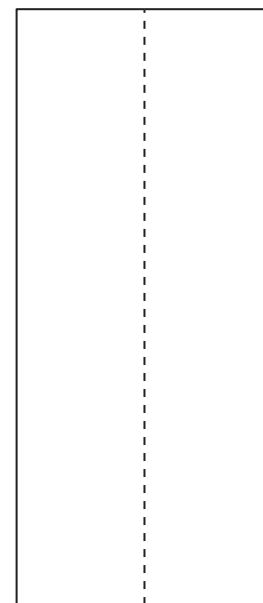
17 Hanging Rail (FHR708)
(708mm long)



15 Small Door (D2846A)
(1358 x 353mm) x 2



18 Small Back (X1710-358)
(1710 x 358mm)



19 Large Back (X1710-734)
(1710 x 734mm)

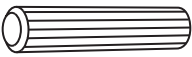
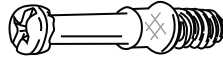





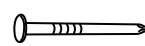
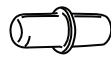
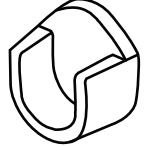
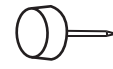


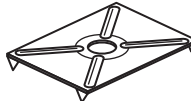



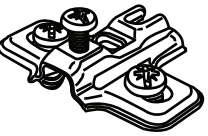
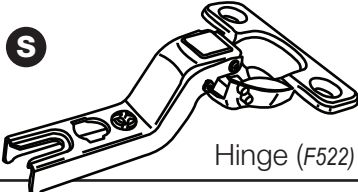

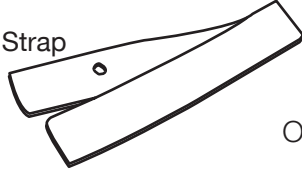





Components - Fittings

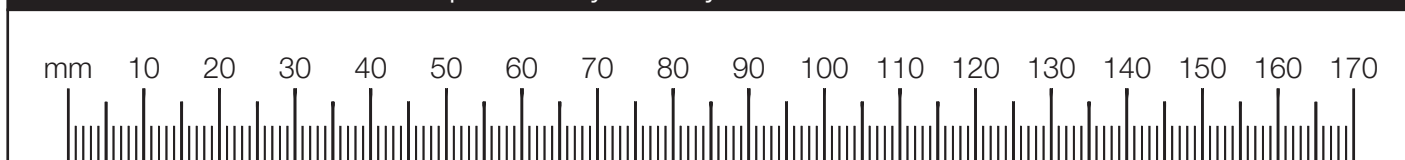
If you have damaged or missing components, call the **Customer Helpline: 03456 400800** quoting the reference numbers below

Please check you have all the fittings listed below

Note: The quantities below are the correct amount to complete the assembly. In some cases more fittings may be supplied than are required.

<p>A </p> <p>Wooden dowel (F22) x 12</p>	<p>B </p> <p>Metal dowel (F901) x 4</p>	<p>C </p> <p>Small locking nut (F3) x 4</p>
<p>D </p> <p>40mm Screw (F910) x 20</p>	<p>E </p> <p>25mm Screw (F50) x 7</p>	<p>F </p> <p>Wedgefix (F639) x 8</p>
<p>G </p> <p>13mm Screw (F63) x 20</p>	<p>H </p> <p>Nail (F51) x 37</p>	<p>I </p> <p>Shelf stud (F110) x 12</p>
<p>J </p> <p>Rail holder (F1014) x 2</p>	<p>K </p> <p>Plastic Nail (F91) x 5</p>	<p>L </p> <p>Handle (F631) x 7</p>
<p>M </p> <p>Nail screw (F277) x 5</p>	<p>N </p> <p>Back holder (F276) x 5 *These can also be round</p>	<p>O </p> <p>Knock-in Peg (F171GY) x 8</p>
<p>P </p> <p>Drawer runner (F1004) x 4</p>		<p>Q </p> <p>9mm Screw (F74) x 4</p>
<p>R </p> <p>Hinge plate (F523) x 9</p>	<p>S </p> <p>Hinge (F522) x 9</p>	<p>T </p> <p>9mm Screw (F73) x 8</p>
<p>U    </p> <p>Overbalance protector kit (F269) x 1</p>		

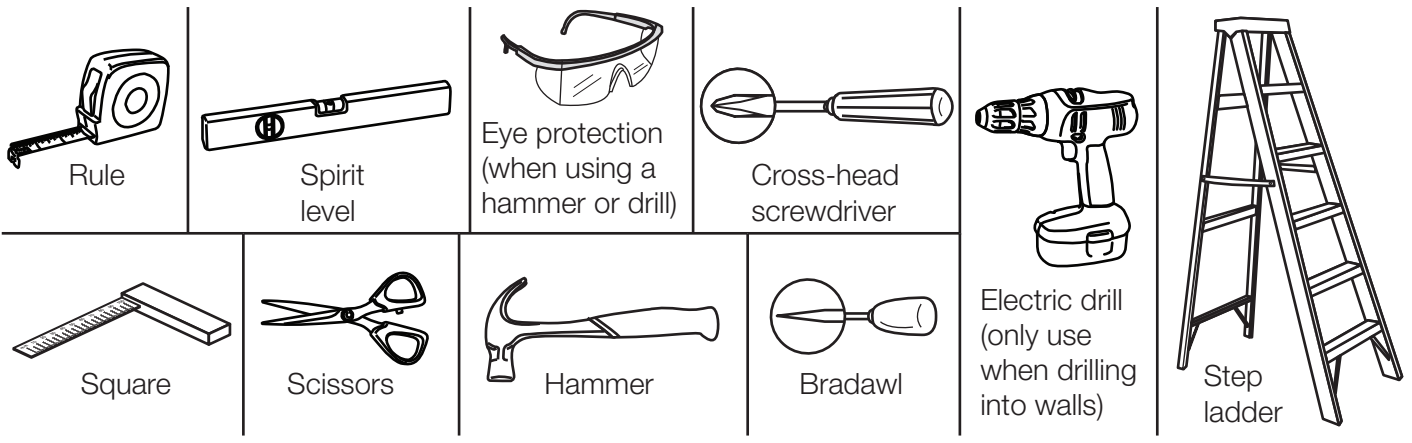
Ruler - Use this ruler to help correctly identify the screws



Assembly Instructions

If you have damaged or missing components, call the **Customer Helpline: 03456 400800** quoting the reference numbers below

Tools required

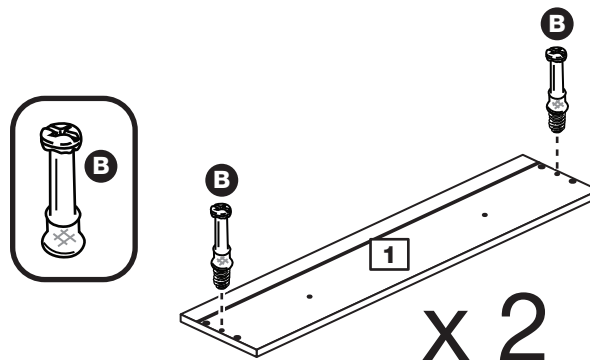


Step 1

Prepare the 2 drawer fronts

Screw 2 metal dowels **B** into each of the drawer fronts **1**.

Note: Tighten the metal dowels up fully against the panels.

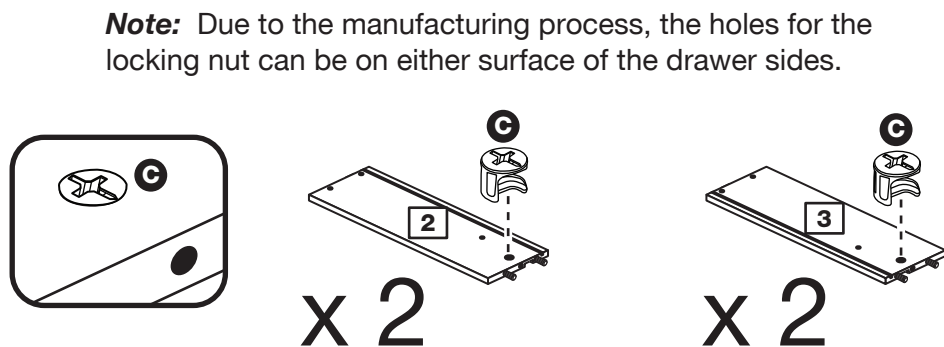


Step 2

Prepare the drawer sides

Insert a small locking nut **C** into the hole shown on the left drawer side **2** and the right drawer side **3**.

Note: The arrow on the locking nut **must** point towards the hole in the edge of the panel.



Assembly Instructions

Step 3

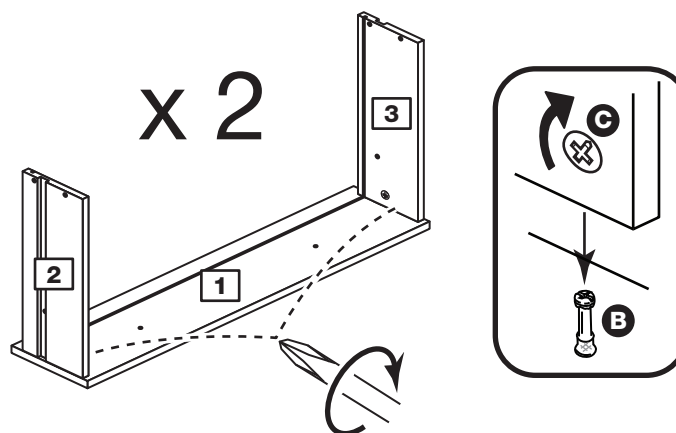
Attach the drawer sides to the drawer fronts

Push the left drawer sides **2** and right drawer sides **3** onto the back of the drawer fronts **1**.

Turn the small locking nuts **C** on the left drawer side **2** and right drawer side **3**.

Note: Turn the locking nuts **C** clockwise to secure panels - more than 1/2 a turn.

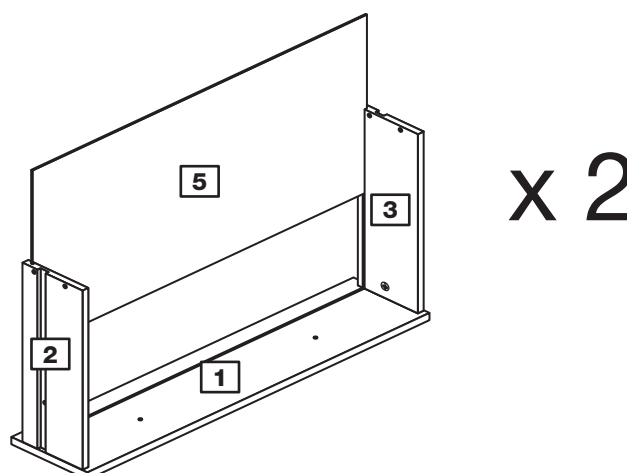
Note: The locking nuts can be on either surface of the drawer sides. Make sure that the small groove is on the inside, as shown.



Step 4

Fit the drawer base

Slide the drawer base **5** down the grooves in the drawer sides **2** and **3** and down into the groove in the drawer front **1**.

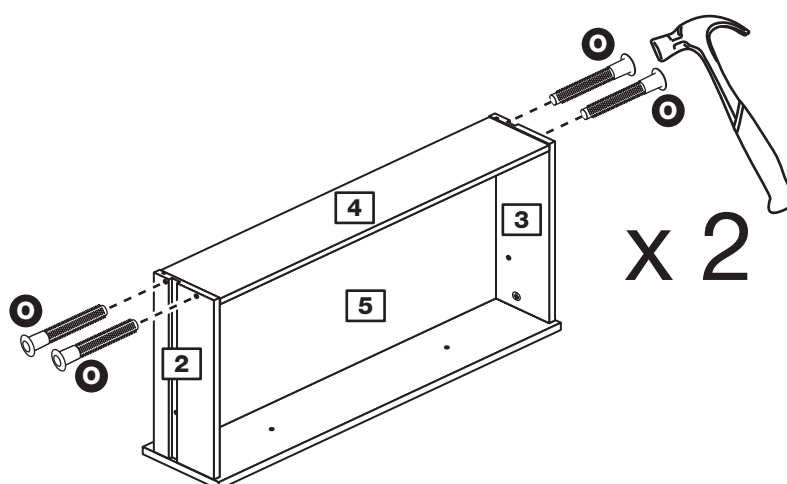


Step 5

Fit the drawer back

Fit the drawer back **4** between the drawer sides **2** and **3**. Make sure that the drawer base **5** fits into the groove in the drawer back **4**.

Hold the drawer back **4** in position and tap the knock-in pegs **O** through the holes in the drawer sides **2** and **3**.



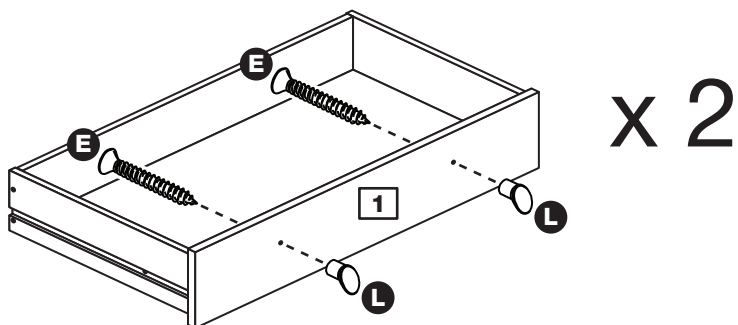
Assembly Instructions

Step 6

Attach the handles

Attach 2 handles **L** to each of the drawer fronts **1** using screws **E**.

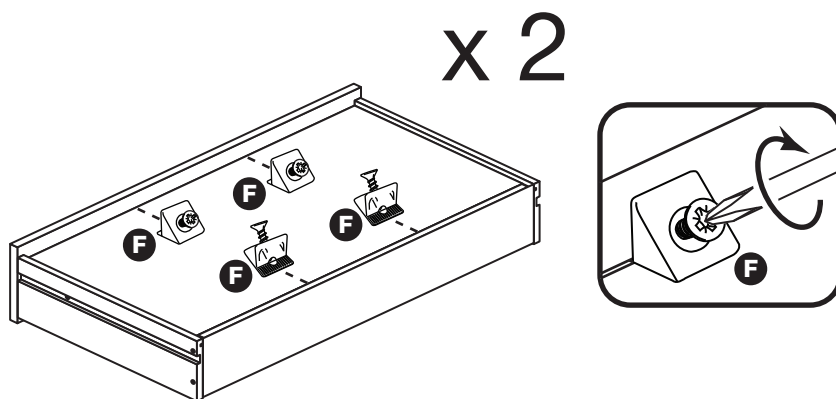
Note: Do not overtighten the screw.



Step 7

Fit the wedgexes

Turn the drawer assemblies over and slide 4 wedgexes **F** into the front and back grooves, as shown, and tighten up the screws.

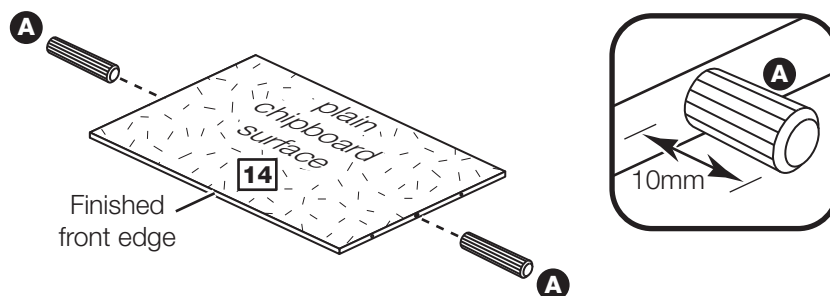


Step 8

Prepare the horizontal

Tap 2 wooden dowels **A** into the horizontal **14**.

Note: Wooden dowels **must not** stick out from the edge by more than 10mm or they may damage other panels.



Assembly Instructions

Step 9

Prepare the upright

a: Push a rail holder **J** into the upright **10**. Make sure that it is fitted straight, in line with the panel edges and then secure with screw **G**.

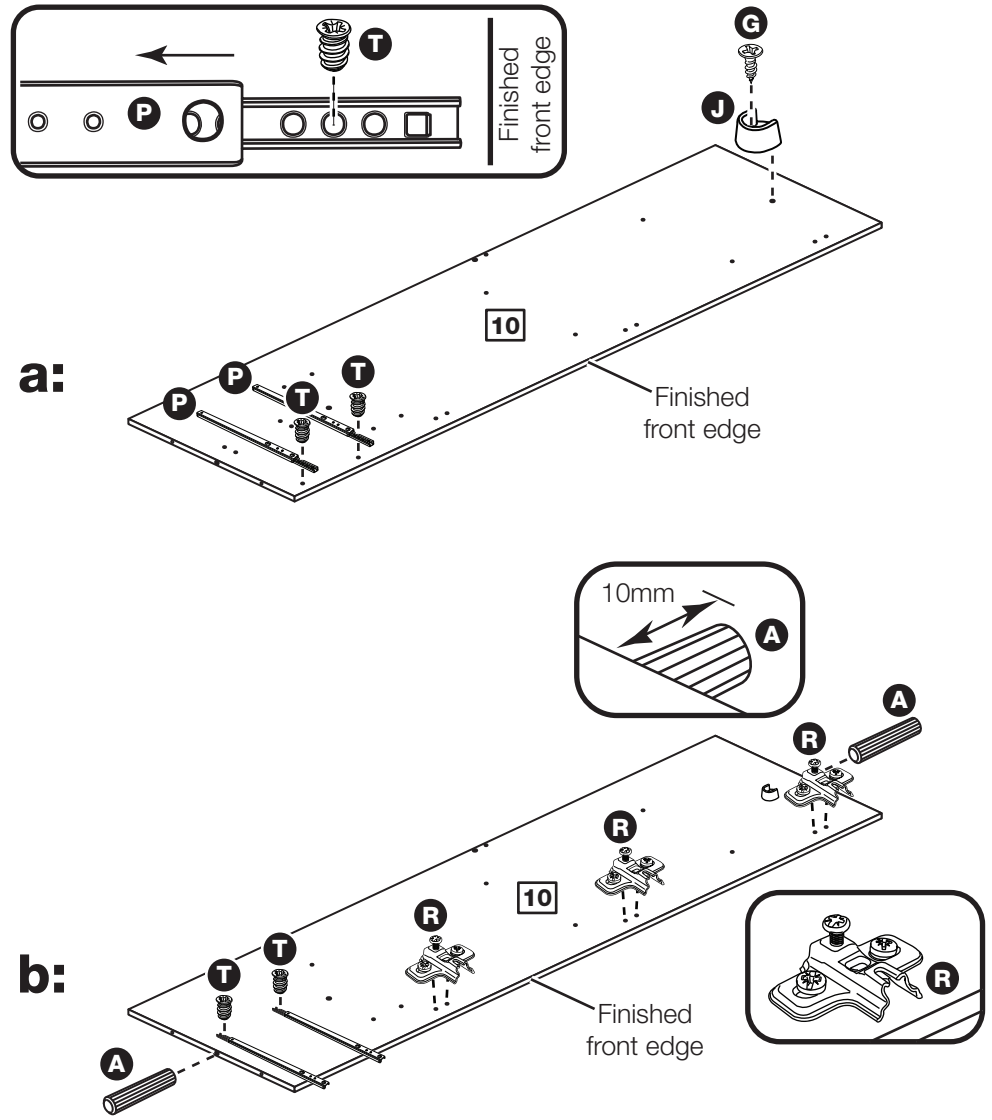
Place 2 runners **P** on the upright **10** as shown. Slide back the top of runner and use the 2nd hole from the front to fit the 1st screw **T**.

b: Slide the runner **P** back the other way and fit the 2nd screw **T** into the corresponding hole in the upright **10**.

Tap 2 wooden dowels **A** into the left upright **10**.

Note: Wooden dowels **must not** stick out from the edge by more than 10mm or they may damage other panels.

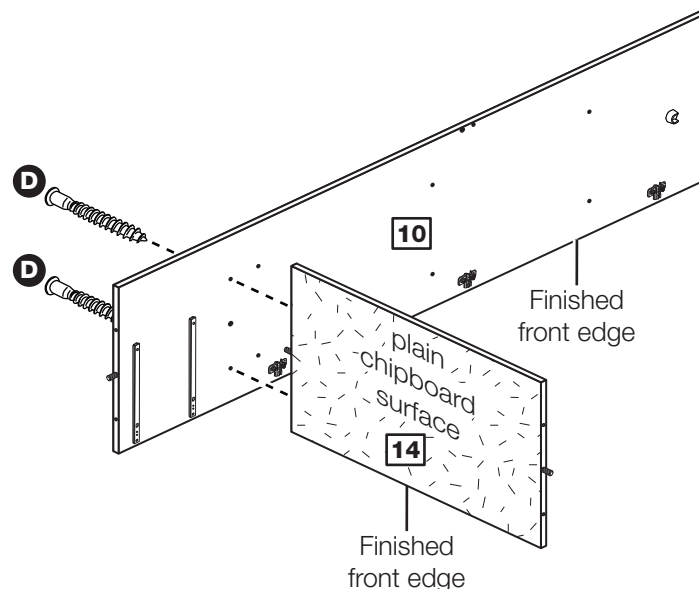
Fit 3 hinge plates **R** onto the upright **10** making sure that the slot is facing towards the finished front edge.



Step 10

Fit the horizontal to the upright

Push the horizontal **14** onto the upright **10** and secure it with 2 screws **D**.

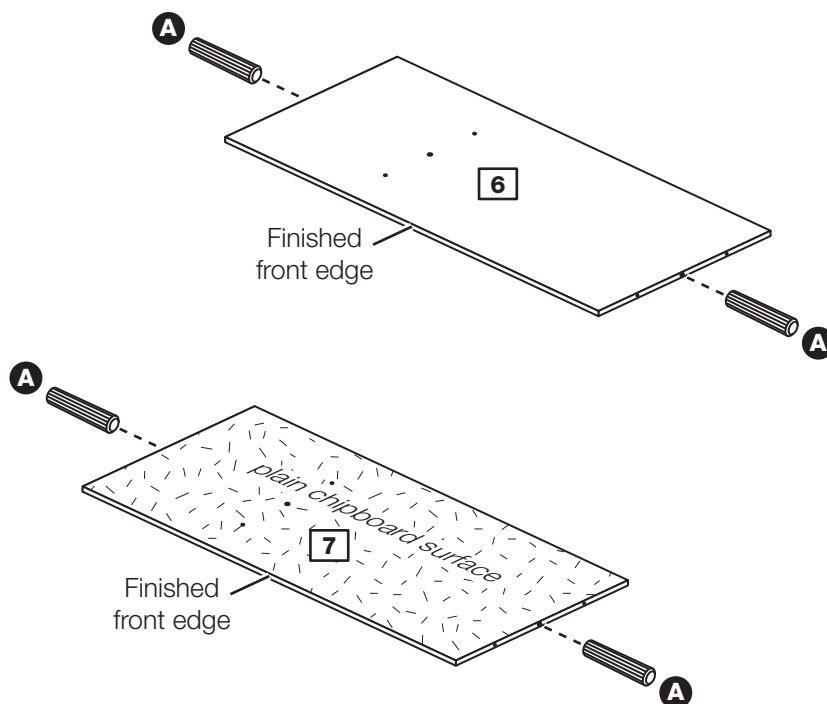


Assembly Instructions

Step 11

Prepare the top and base

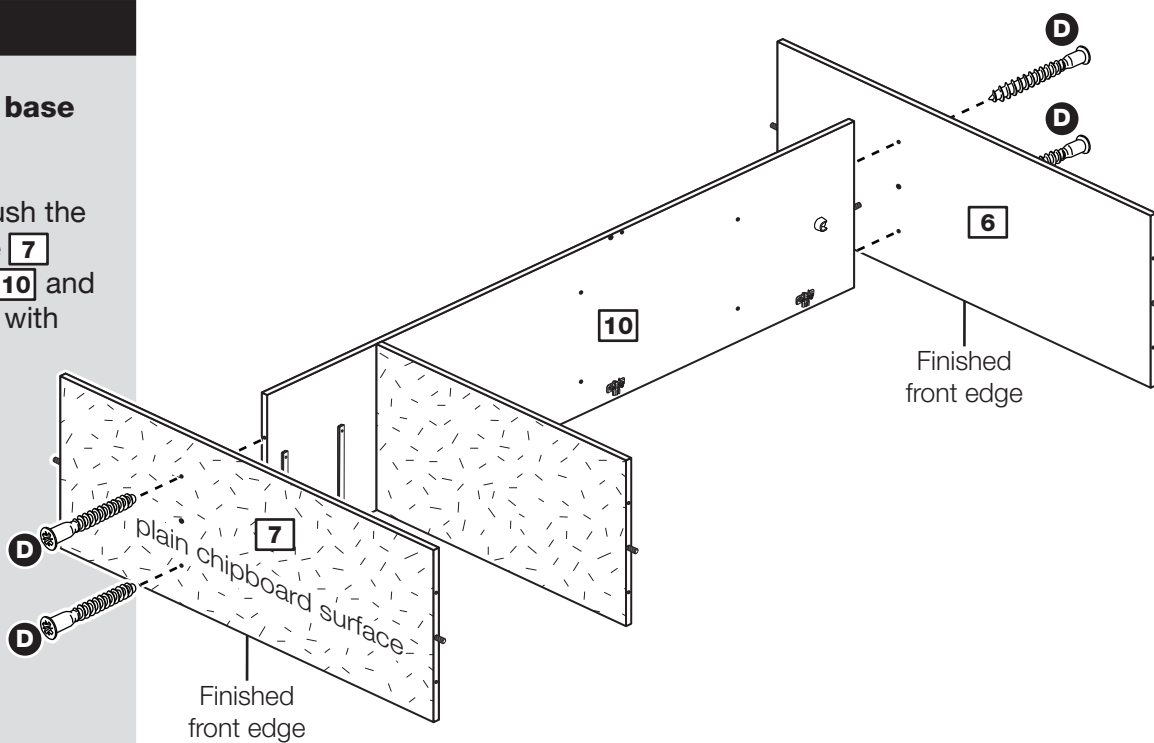
Tap 2 wooden dowels **A** into the top **6** and the base **7**.



Step 12

Fit the top and base to the upright

One at a time, push the top **6** and base **7** onto the upright **10** and secure each one with 2 screws **D**.

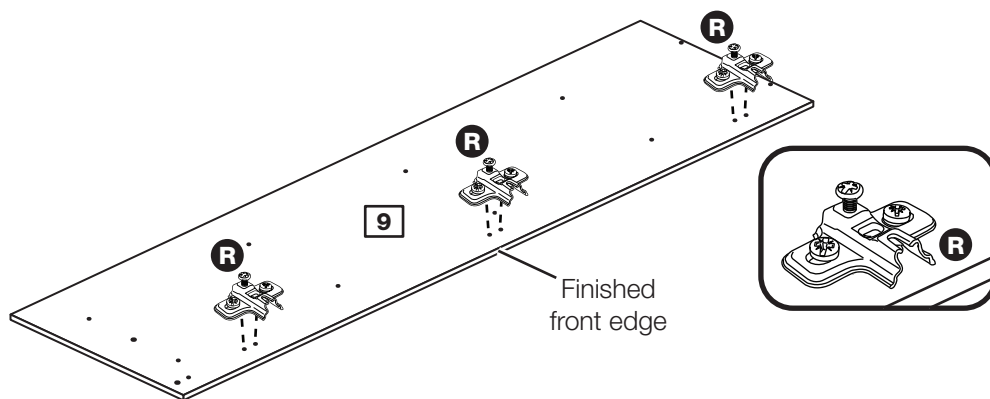


Assembly Instructions

Step 13

Prepare the right side

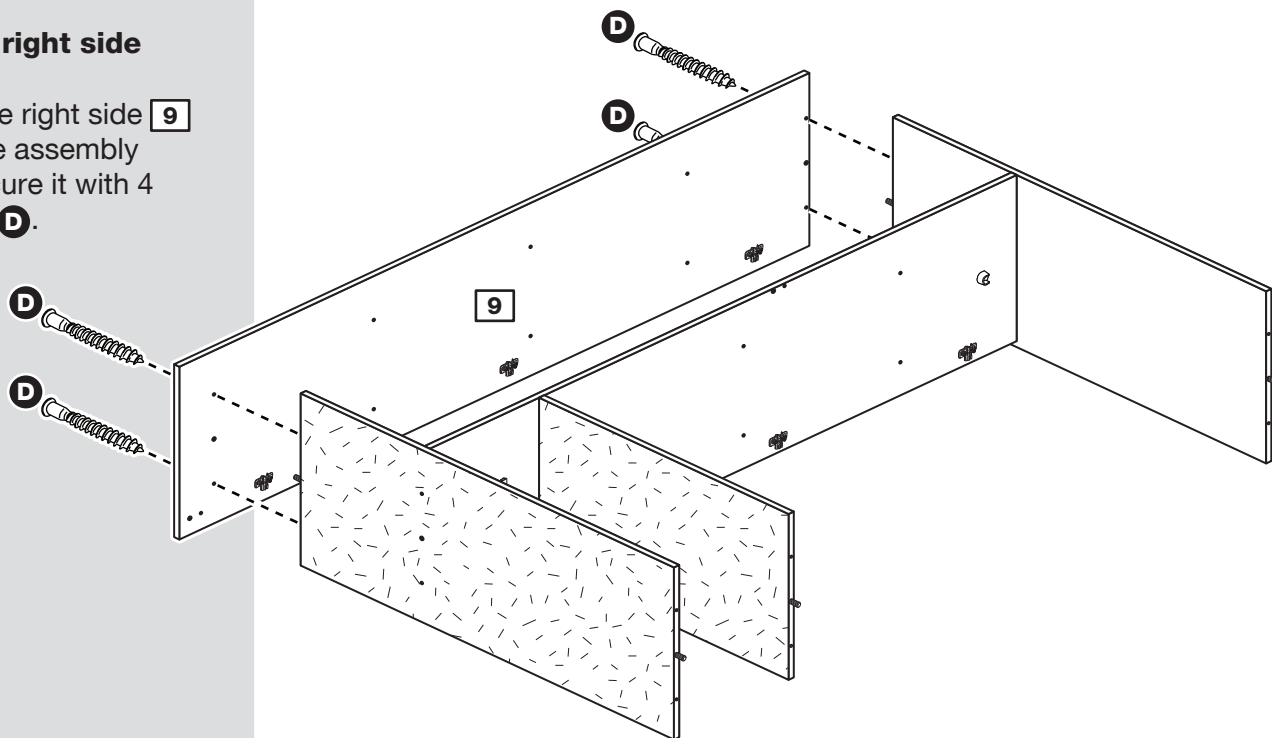
Fit 3 hinge plates **R** onto the right side **9**, making sure that the slot is facing towards the finished front edge.



Step 14

Fit the right side

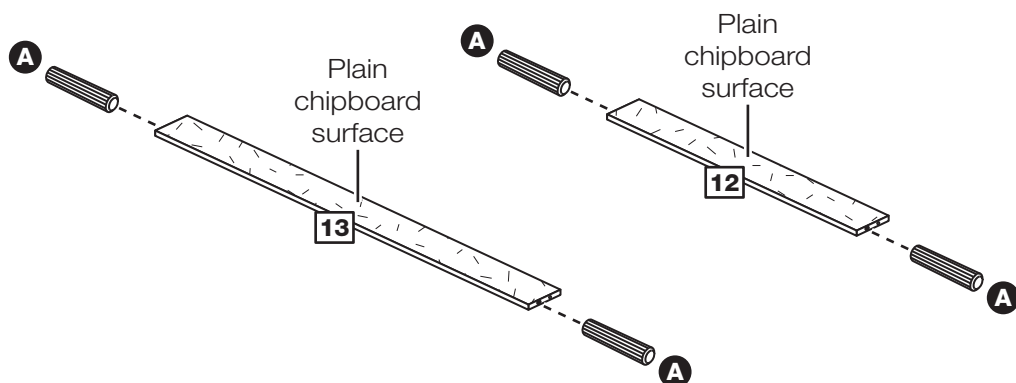
Push the right side **9** onto the assembly and secure it with 4 screws **D**.



Step 15

Prepare the back rail and plinth

Tap 2 wooden dowels **A** into the back rail **12** and the plinth **13**.



Assembly Instructions

Step 16

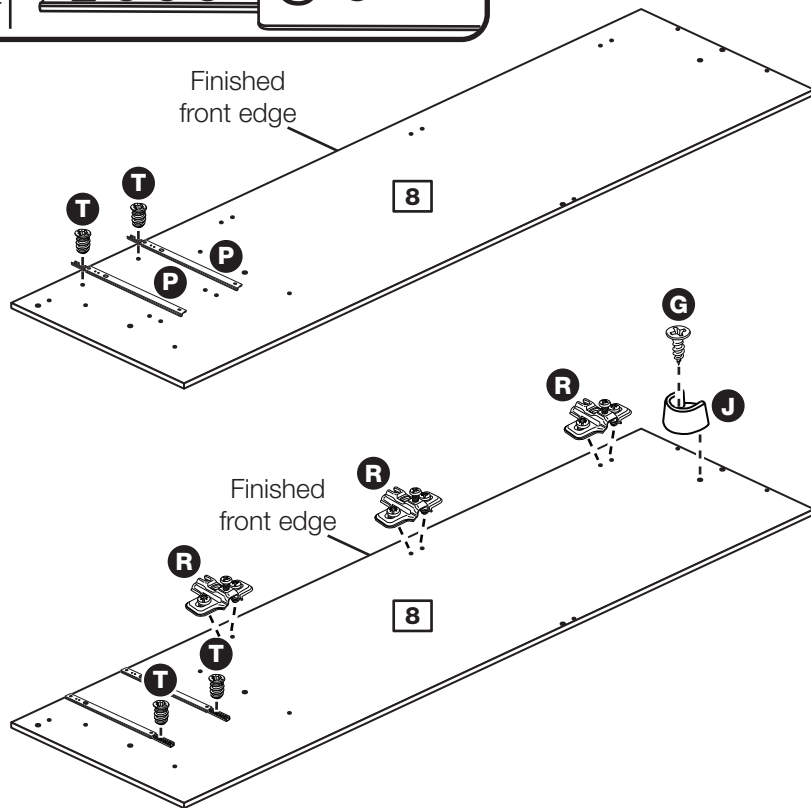
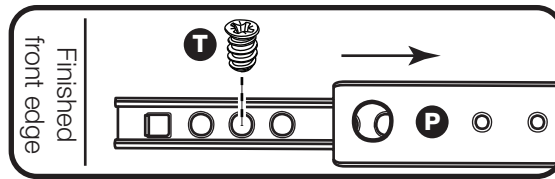
Prepare the left side

a: Place 2 runners **P** on the left side **8** as shown. Slide back the top of runner and use the 2nd hole from the front to fit the 1st screw **T**.

b: Slide the runner **P** back the other way and fit the 2nd screw **T** into the corresponding hole in the left side **8**.

Fit 3 hinge plates **R** onto the right side **8** making sure that the slot is facing towards the finished front edge.

Push a rail holder **J** into the left side **8**. Make sure that it is fitted straight, in line with the panel edges and then secure with screw **G**.

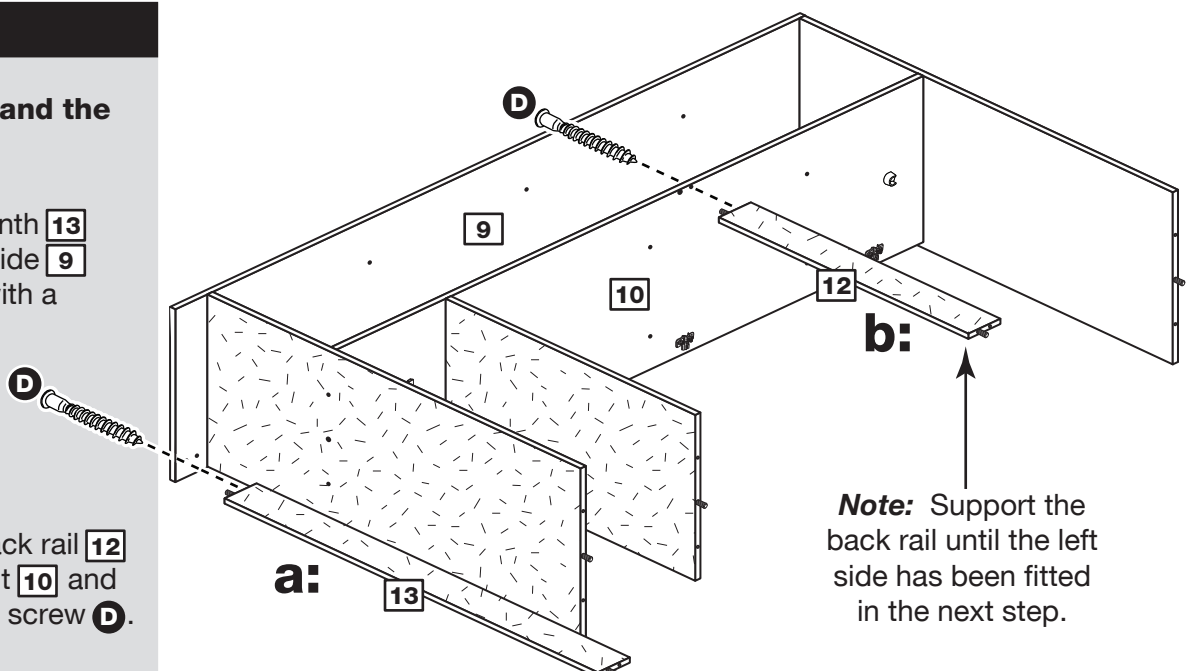


Step 17

Fit the plinth and the back rail

a: Push the plinth **13** onto the right side **9** and secure it with a screw **D**.

b: Push the back rail **12** onto the upright **10** and secure it with a screw **D**.

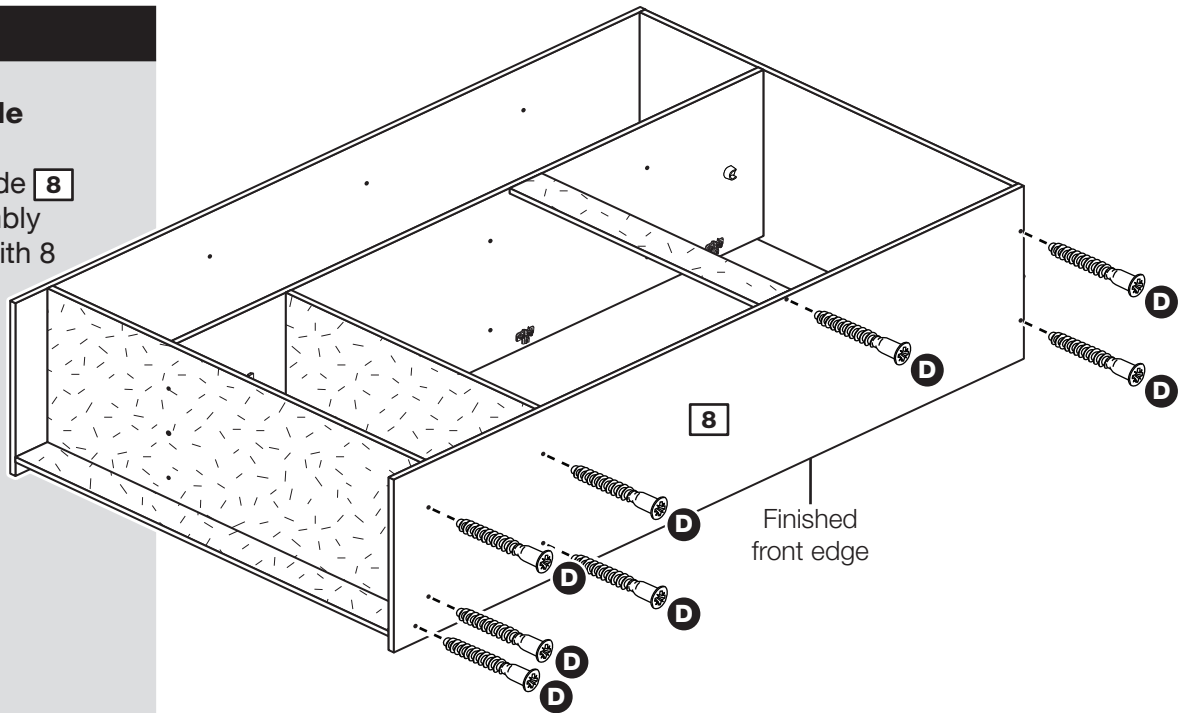


Assembly Instructions

Step 18

Fit the left side

Push the left side **8** onto the assembly and secure it with 8 screws **D**.



Step 19

Fit the back panels

a: Square up the unit by making sure that measurement **x:x equals y:y**.

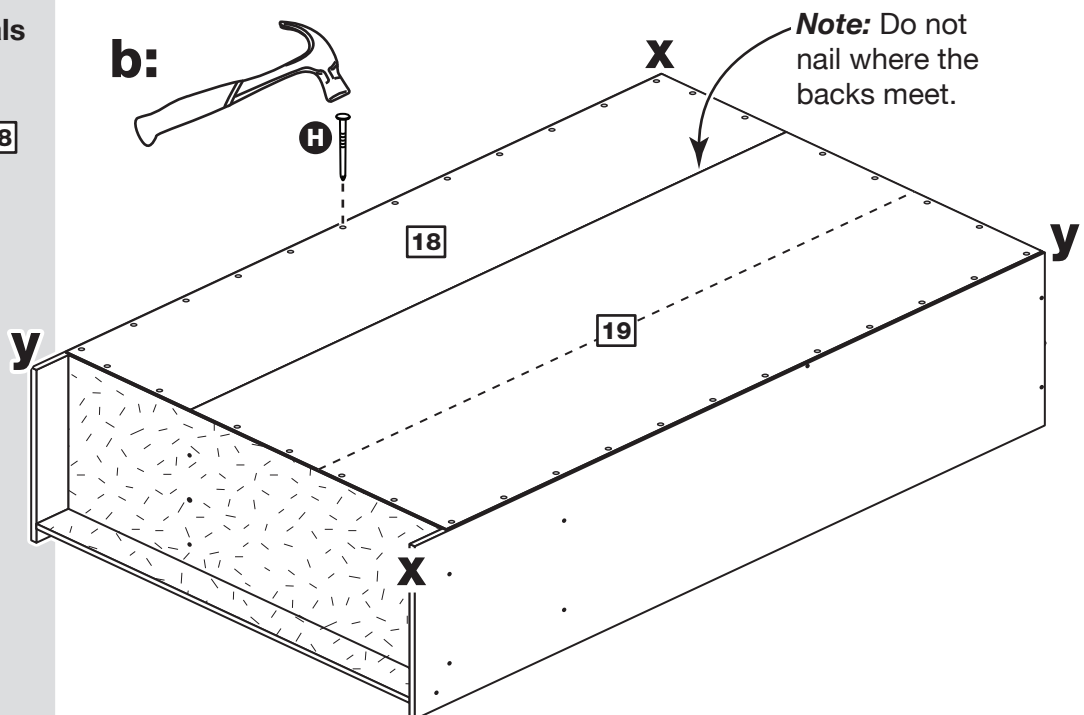
Place the small back **18** and the large back **19** down onto the unit as shown.

Make sure that the backs are pushed up tight against each other and that they meet over the back edge of the upright.

b: Nail **H** around the outside edges of the backs.

Note: Do not nail where the backs meet. Nails should be spaced about 150mm apart.

a: The measurement from top corner **X** to bottom corner **X** must be equal to the measurement from top corner **Y** to bottom corner **Y**



Assembly Instructions

Step 20

Secure the backs and fit the 4 plastinails

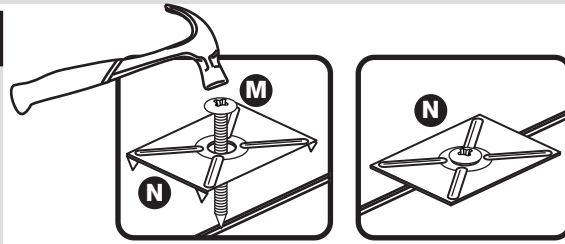
Tap the nail screws **M** through the back holders **N** and down between the backs **18** and **19** into the back edge of the divider.

Keep tapping the nail screws **M** in until the back holders **N** dig into the small and large back.

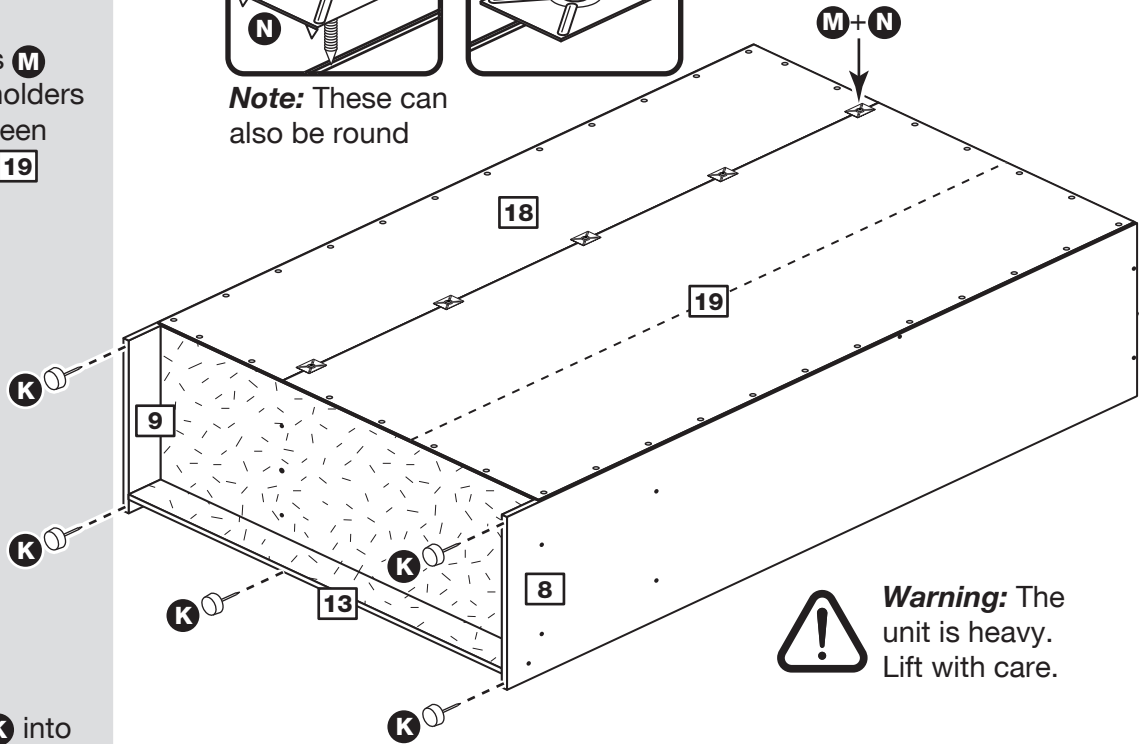
Tap 2 plastic nails **K** into the bottom edge of each side **8** and **9** as shown.

Tap 1 plastic nail **K** into the plinth **13** as shown.

Carefully stand the unit up for the next step.



Note: These can also be round



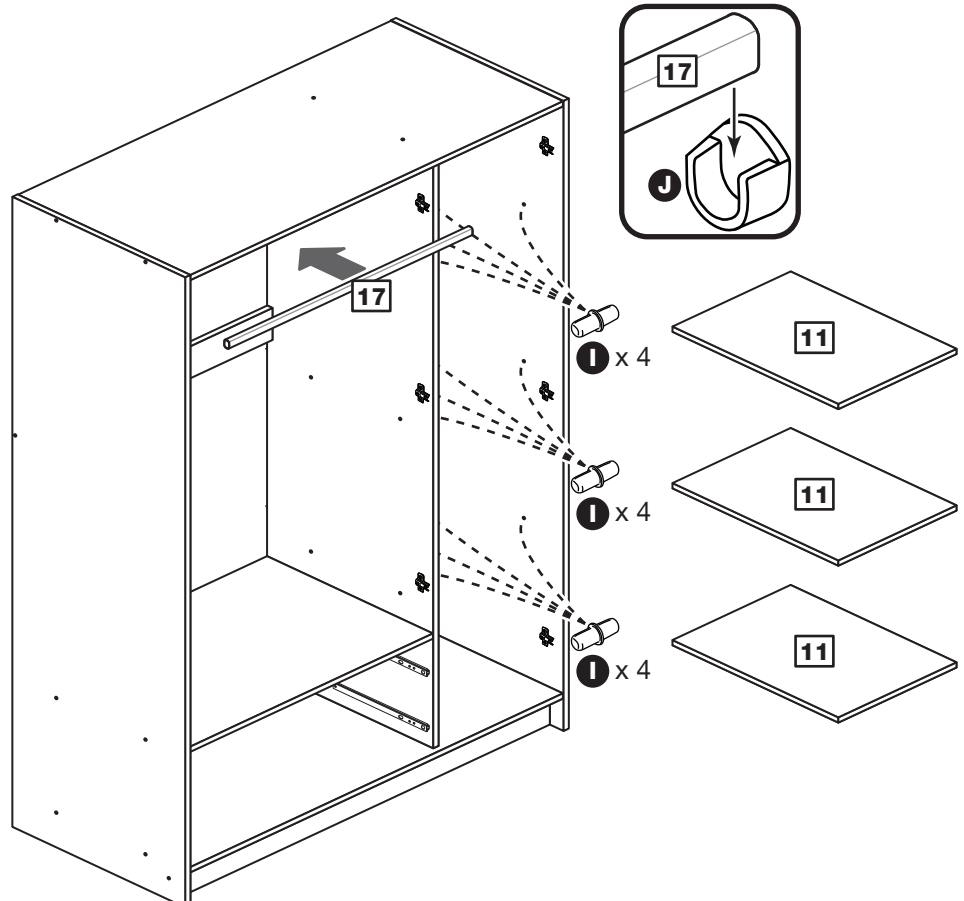
Step 21

Fit the hanging rail and the shelves

Push the hanging rail **17** into the rail holders **J**.

For each of the 3 shelves **11**, insert 4 shelf studs **I**.

Lower the 3 shelves **11** down onto the shelf studs **I**.



Assembly Instructions

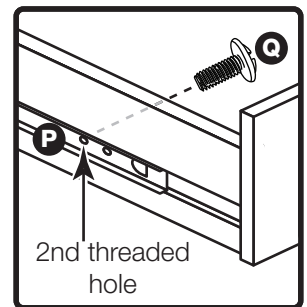
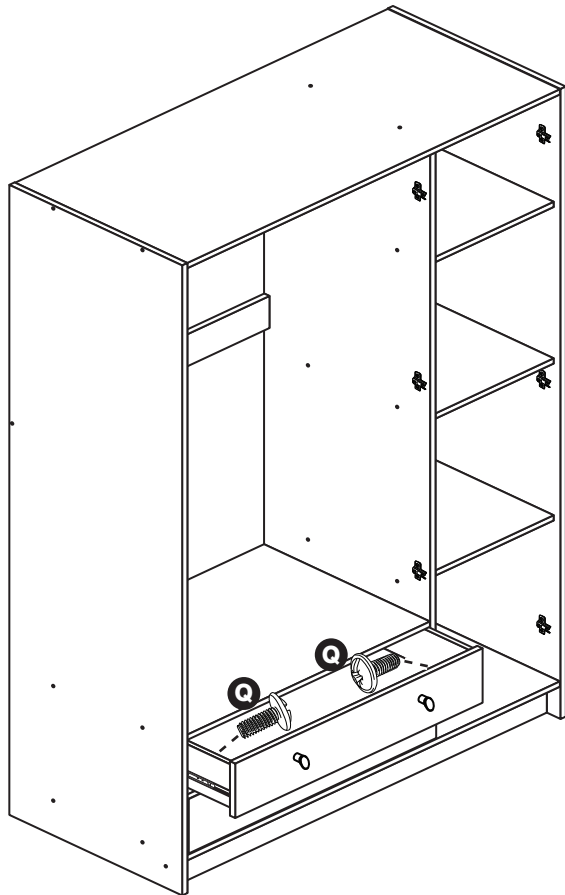
Step 22

Fit the drawers

Starting with the bottom drawer, slide both the runners **P** forward and locate the drawer sides **2** and **3** between them, lining up the holes in the drawer wrap with the 2nd 'threaded' holes in the runners **P**.

Working from the inside of the drawer, insert 2 screws **Q** through the drawer sides and out into the 2nd threaded hole in the runner.

Note: Do not overtighten the screws. If they catch on the runner you may need to loosen them slightly.



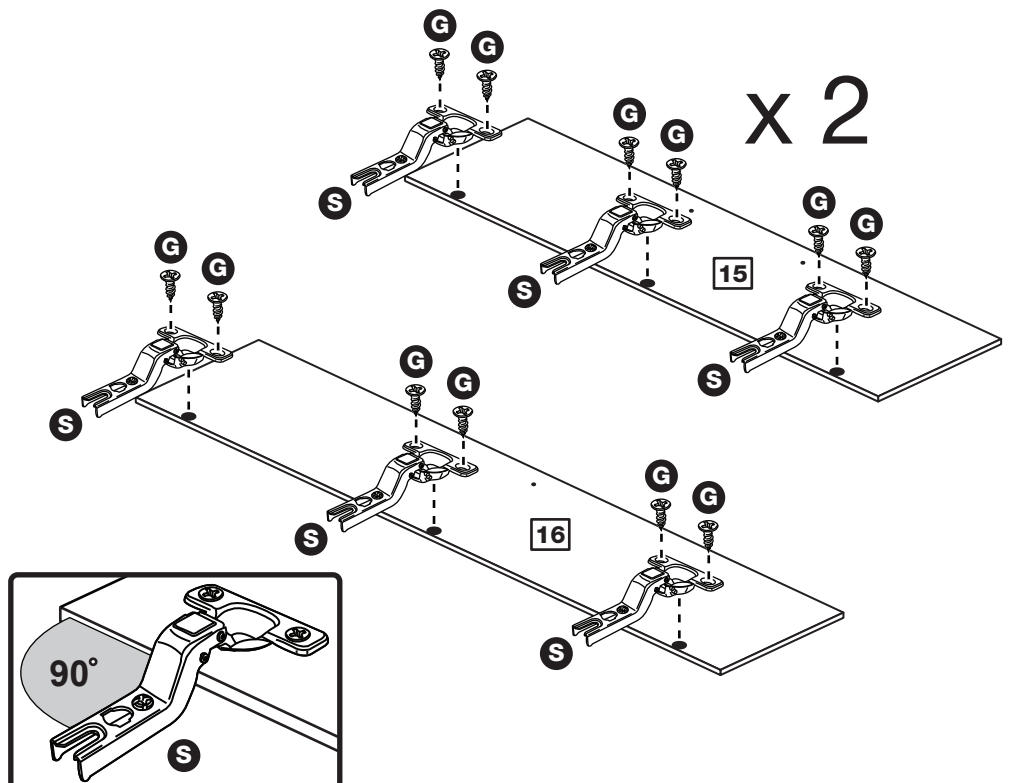
Step 23

Prepare the 3 doors

Push fit 3 hinges **S** into each of the 2 small doors **15** and the large door **16**.

Secure each hinge with 2 screws **G**.

Note: Before securing with the screws, make sure that the hinges are positioned at 90 degrees with the edge of the door.



Assembly Instructions

Step 24

Drill a handle hole in each small door

Important: Please follow these instructions carefully.

Lay the 2 small doors **15** down onto a smooth surface.

Check that the hinges and holes are in the same place as the diagrams.

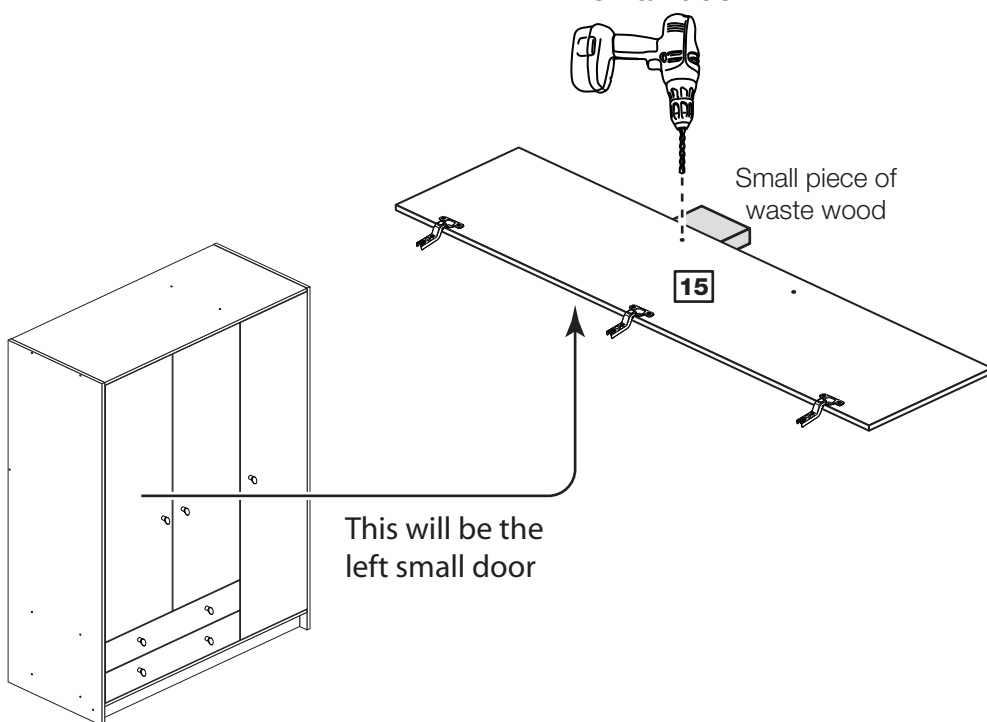
Note: We recommend the use of a small piece of waste wood, placed behind the hole while drilling, to reduce the possibility of any breakout.

Using the pilot hole in the rear face of the door, drill through the hole indicated opposite, using a 2.5mm diameter drill.

Turn the door over and open out the 2.5mm hole that you have just drilled by drilling back through it with a 5mm drill.

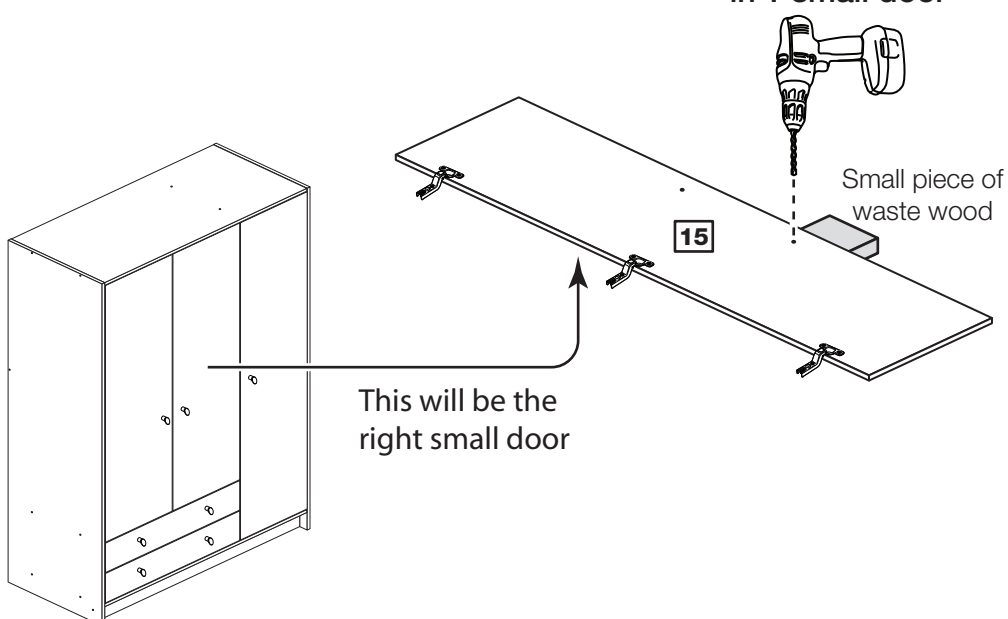
IMPORTANT Carefully choose which hole you need to drill in each of the 2 small doors

ONLY drill this hole in 1 small door



This will be the left small door

ONLY drill this hole in 1 small door



This will be the right small door

Assembly Instructions

Step 25

Fit doors and handles

Note: The easiest way to attach each door **15** and **16** is to fit the top hinge first, then align and fit the other hinges.

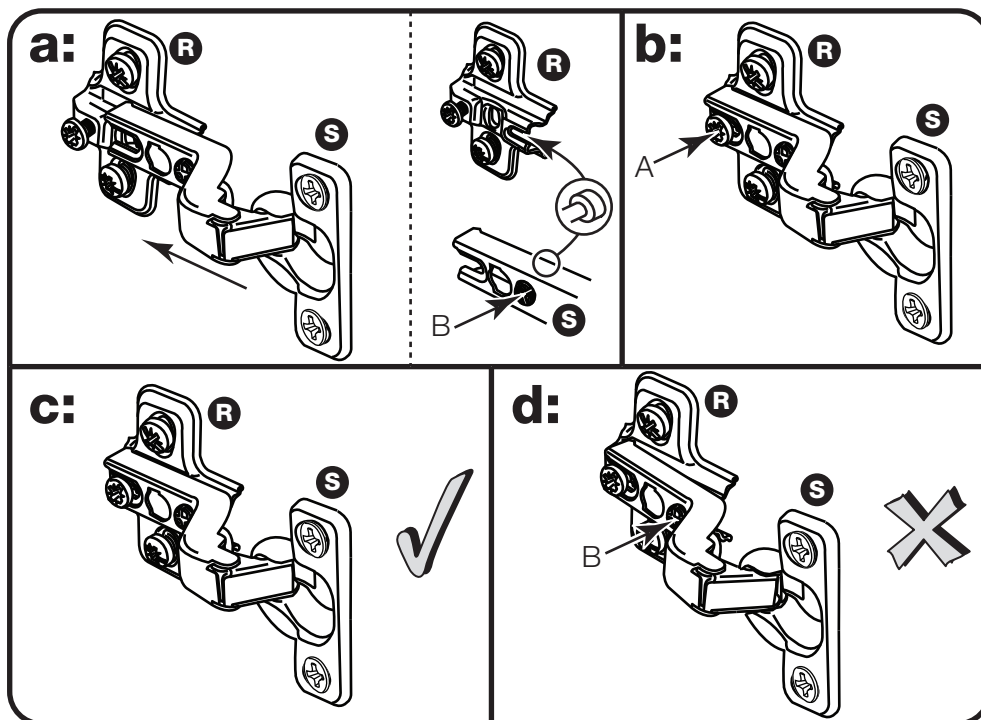
a: Push the hinge **S** onto the front part of the hinge plate **R**. The recess at the bottom of screw B goes into the slot in the hinge plate.

b: Keep the hinge **S** FLAT against the hinge plate **R** as you slide it across as far as it will go. Tighten screw A.

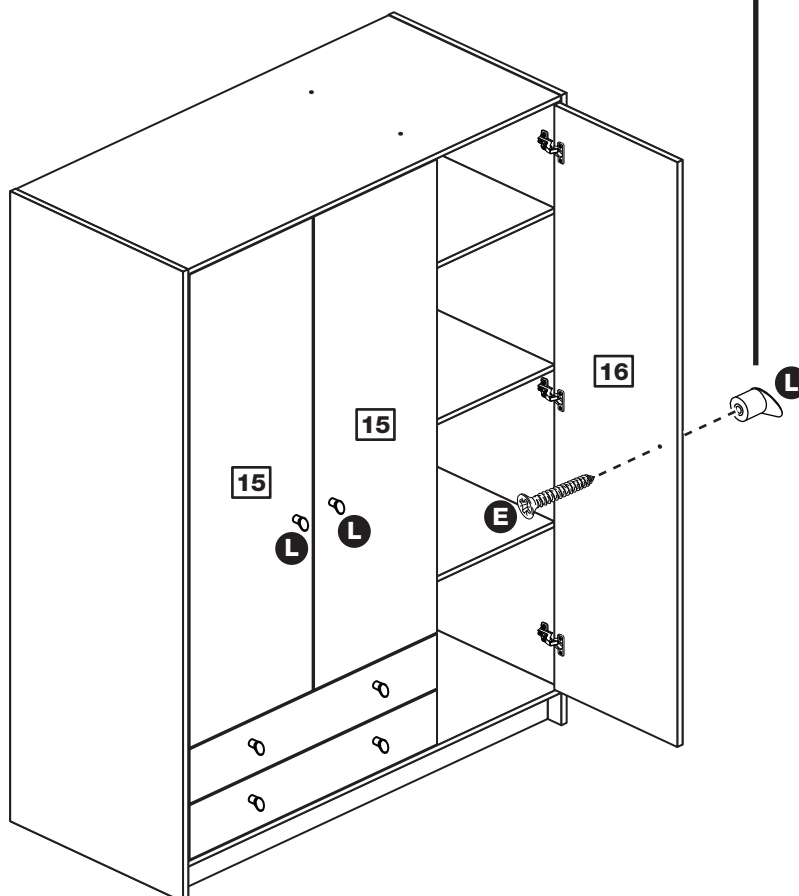
c: The hinge **S** must be flat against the hinge plate **R** prior to any adjustment.

d: The hinge **S** must NOT be AT AN ANGLE to the hinge plate **R** when assembled. This would indicate that the recess at the bottom of screw B had not located in the slot in the hinge plate and the hinge would not be secure. Remove the hinge from the hinge plate and then re-assemble being careful to follow instructions a-c.

e: Attach a handle **L** to each door **15** and **16** using screws **E**.



Note: When fitting the small doors, make sure that the handle hole you had to drill is nearest to the bottom of the door.



Assembly Instructions

Step 26

Adjust the doors if needed

a: Before adjusting the doors, use a spirit level to check the base (or top) of the unit is level, front-to-back and side-to-side in the 3 positions shown. Use suitable packing pieces (not supplied) to make the unit level BEFORE making any adjustment to the hinges, as shown.

b: Height adjustment.

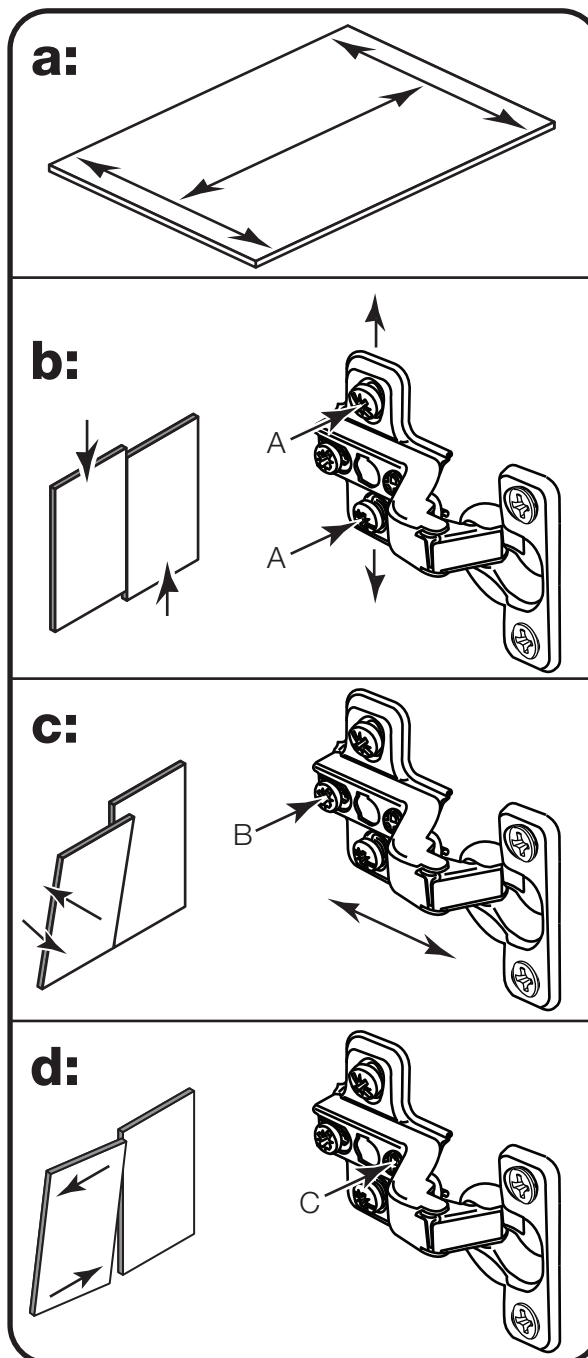
Loosen screws A on hinge plates and move door up or down as required. Retighten screw A.

c: Forward and Back adjustment.

Loosen screw B on hinge plate and move door in or out as required. Retighten screw B.

d: Sideways adjustment.

To move door 'out' loosen screw C. To move door 'in' tighten screw C.



Assembly Instructions

Step 27

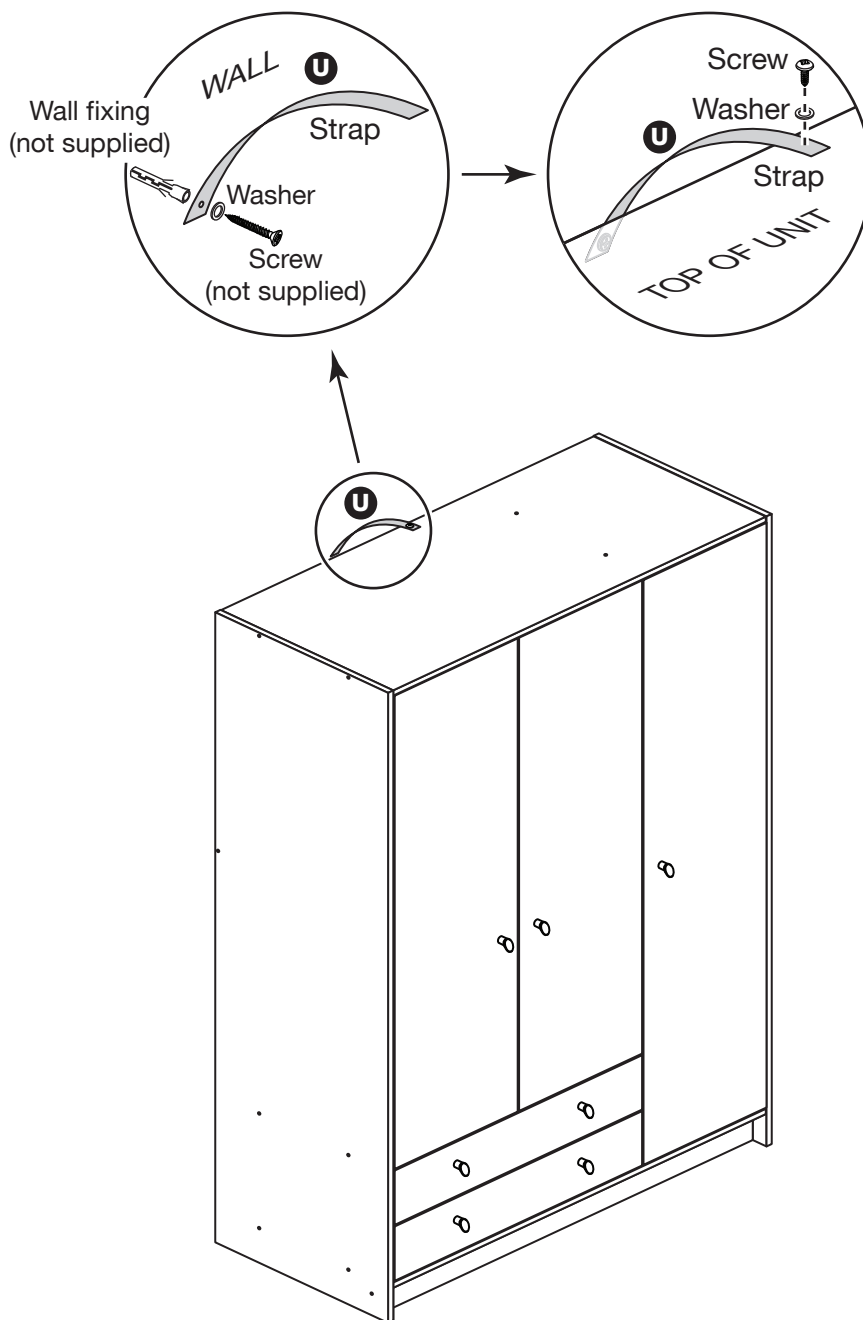
Fit the overbalance protector kit

To prevent possible overbalancing we recommend that this unit is secured to a suitable wall by fitting of the overbalance protector kit **U** to the unit, or an alternative fixing method of your choice.

Wall fixings are not supplied as they will need to suit the wall type.

Note: Take care when drilling the wall that you do not drill into any pipes, wires etc. If in doubt, consult an expert.

Assembly is complete



If you need help or have damaged or missing parts, call the Customer Helpline: 03456 400800 and quote the reference numbers on the component pages.

Argos Ltd, 489-499 Avebury Boulevard, Central Milton Keynes, MK9 2NW

